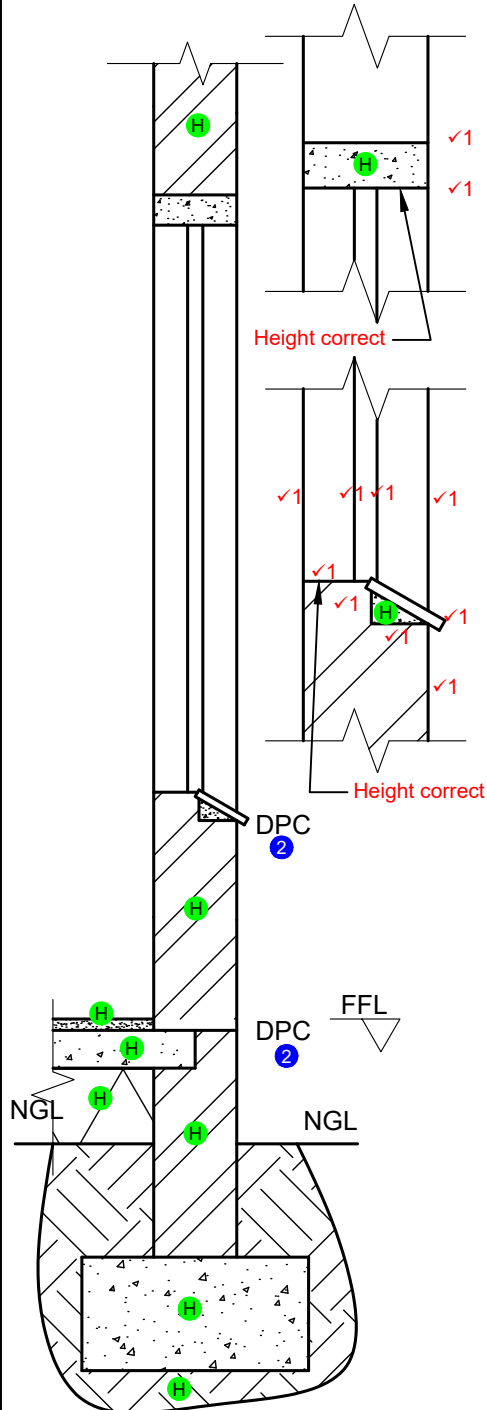


- DOOR AND WINDOW NOTES:**
- A = Opening position
 - B = Hinge position
 - C = Fixed panel
 - Window frame is 50 mm thick
 - 150 x 20 mm Fibre cement window sill at (30°) beneath each window
 - 200 x 75 mm Lintel above each door and window
 - Lintel is 2100 mm above FFL



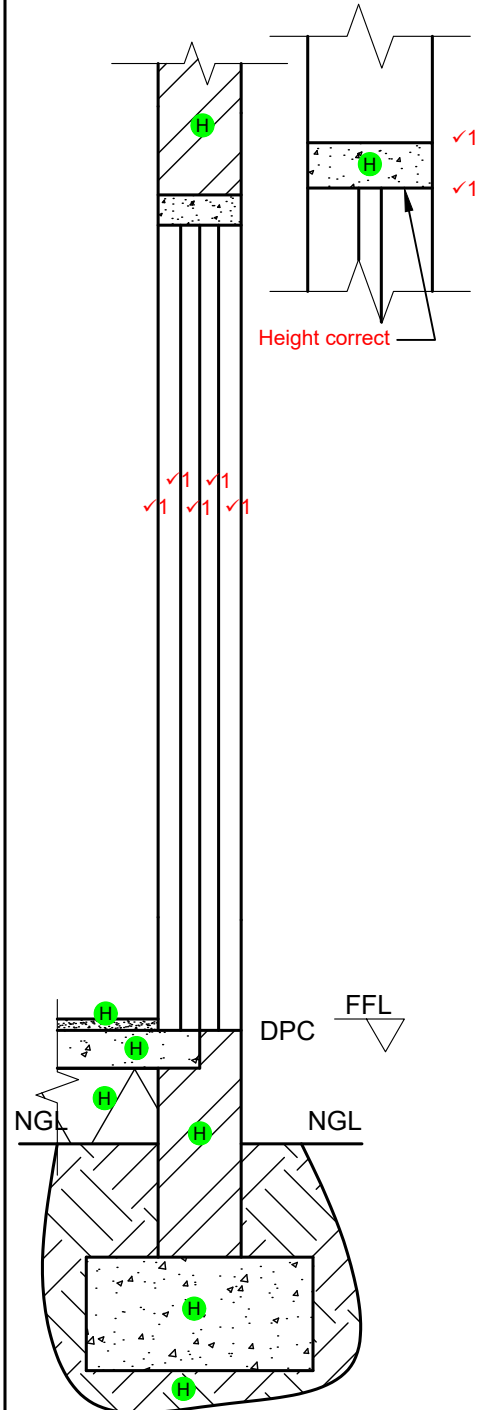
QUESTION 5.3.1:
According to scale 1 : 20, supply the incomplete sectioned view with the following:

- Window 1 (W1) using the given information.
- All labels.
- All hatching detail.



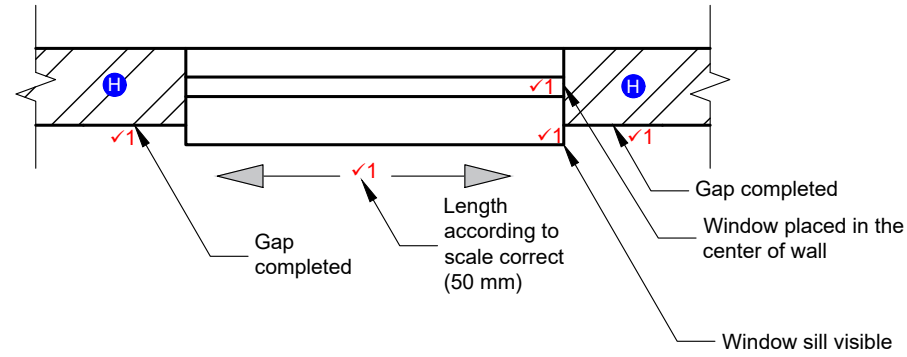
QUESTION 5.3.2:
According to scale 1 : 20, supply the incomplete sectioned view with the following:

- Door (D2) using the given information.
- All hatching detail.



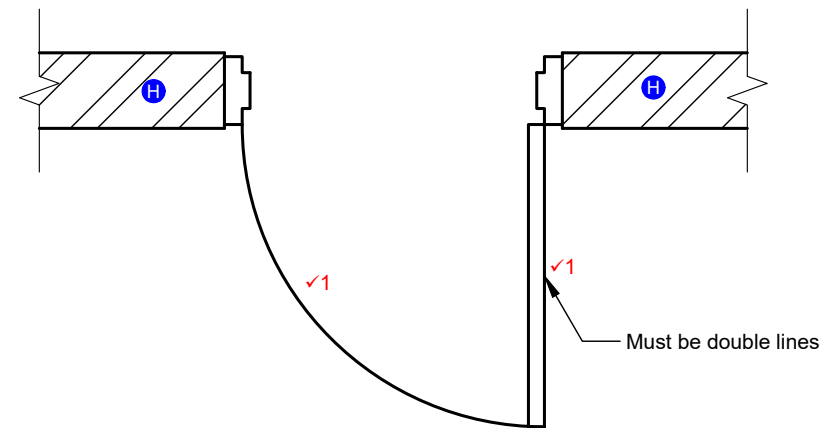
QUESTION 5.3.3:
According to scale 1 : 20, supply the incomplete floor plan with window 2 (W2).
Note:

- Show all hatching detail
- The load bearing wall is 200 mm thick.



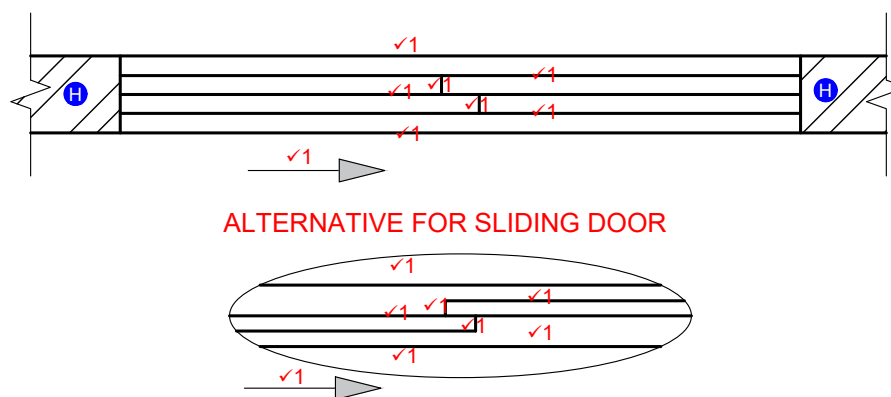
QUESTION 5.3.4:
According to scale 1 : 20, supply the incomplete floor plan with door 1 (D1).
Note:

- Show all hatching detail
- The load bearing wall is 200 mm thick.



QUESTION 5.3.5:
According to scale 1 : 20, supply the incomplete floor plan with door 2 (D2).
Note:

- Show all hatching detail
- The load bearing wall is 200 mm thick.



QUESTION 4: FLOOR PLAN SANS 10143 SYMBOLS

Given:
Incomplete floor plans and sectioned views.

Instructions:

- Make use of the requested scale at each illustration and complete the questions.

Note:
No hidden detail is required. [49]

ASSESSMENT CRITERIA

QUESTION 5.3.1

1	Window 1	11		
2	Labels	1		
3	Hatching	5		
SUB TOTAL		17		

QUESTION 5.3.2

1	Sliding door	7		
2	Hatching	8		
SUB TOTAL		15		

QUESTION 5.3.3

1	Window 2	5		
2	Hatching	1		
SUB TOTAL		6		

QUESTION 5.3.4

1	Door 1	2		
2	Hatching	1		
SUB TOTAL		3		

QUESTION 5.3.5

1	Door 2	7		
2	Hatching	1		
SUB TOTAL		8		

TOTAL PENALIZING (-)

TOTAL 49