

Grade 11 CIVIL PAT (Floor plan)

Developed by: PC Viljoen
Senior Educational Specialist for
Engineering Graphics and Design
Free State Province

PRESCRIBED CONTENT FOR GRADE 10, 11 & 12

- The floor plan will be evaluated on the following:

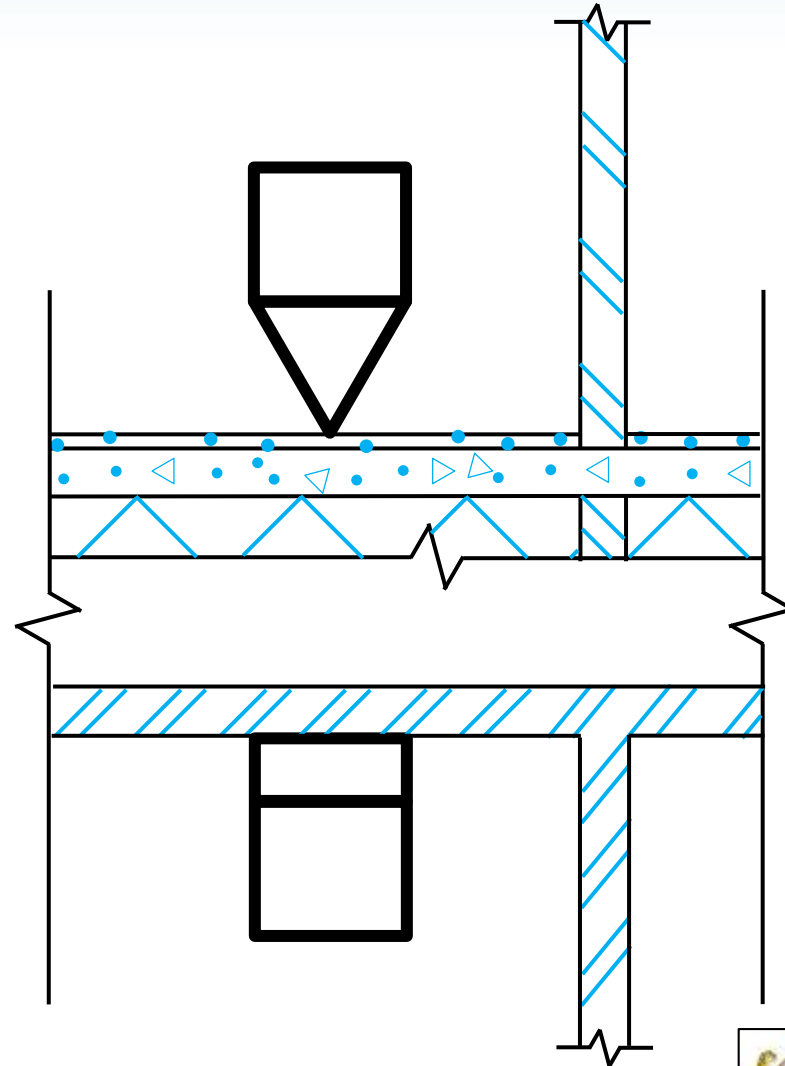
6	Show on the FLOOR PLAN :				
6.1	All internal and external walls .	2			
6.2	All windows .	2			
6.3	The doors and direction of door openings .	2			
6.4	All sanitary kitchen and other permanent fixtures.	2			
6.5	Labels, notes and annotations of...				

PRESCRIBED CONTENT FOR GRADE 10, 11 & 12

- **SANS 10143 Symbols**

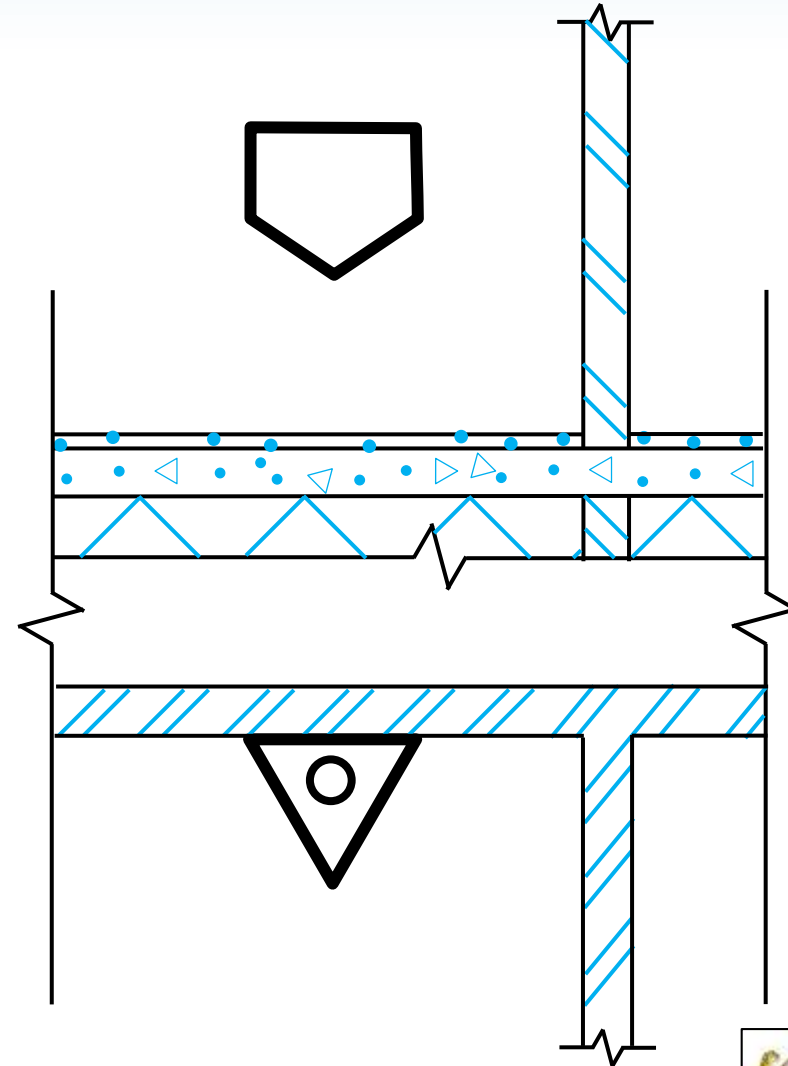
SANS 10143 Symbols

- The conventional SANS representation of a **WATER-CLOSET PAN (TOILET) (WC)**



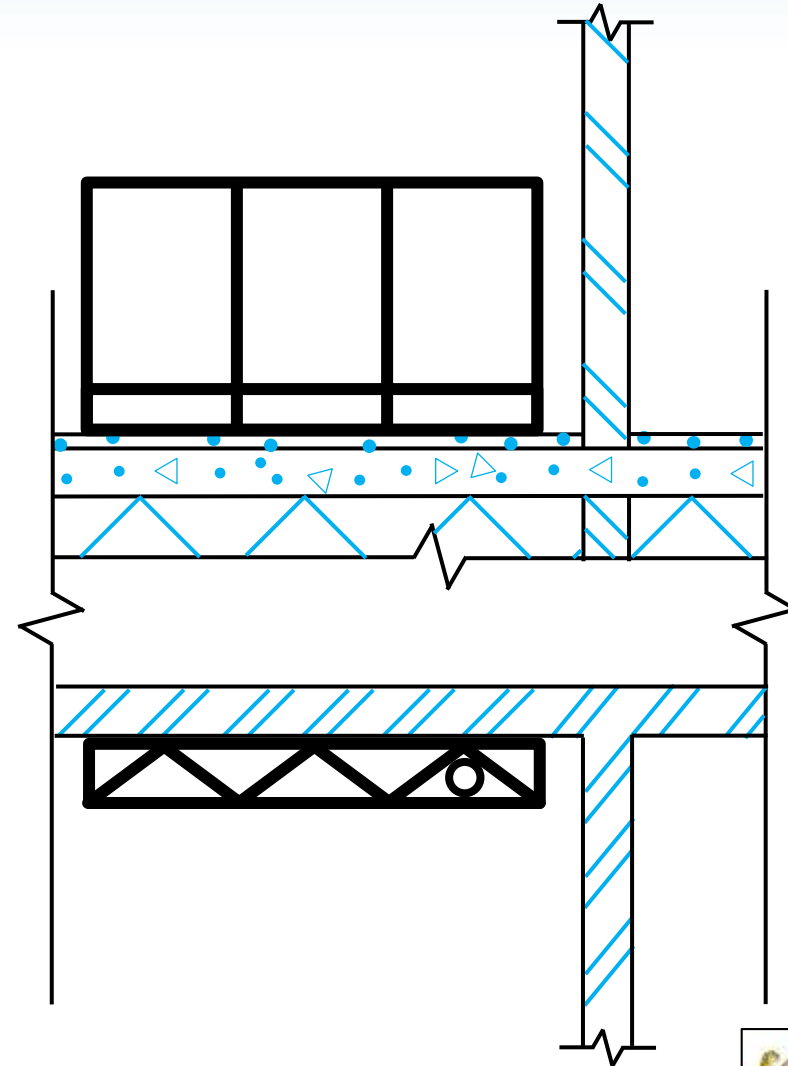
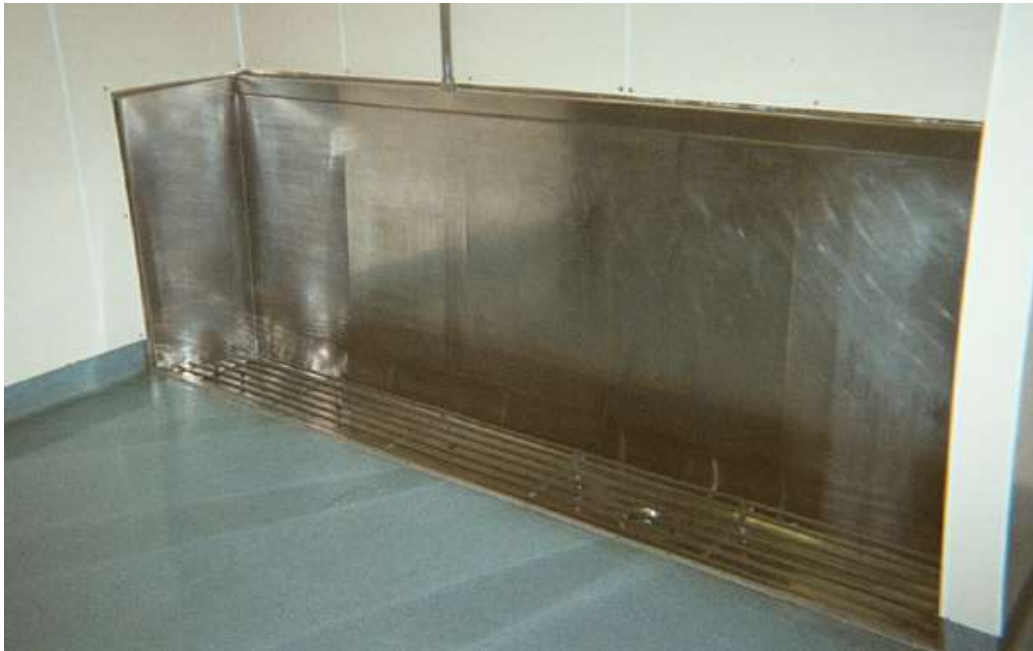
SANS 10143 Symbols

- The conventional SANS representation of a **WALL MOUNTED URINAL (U)**



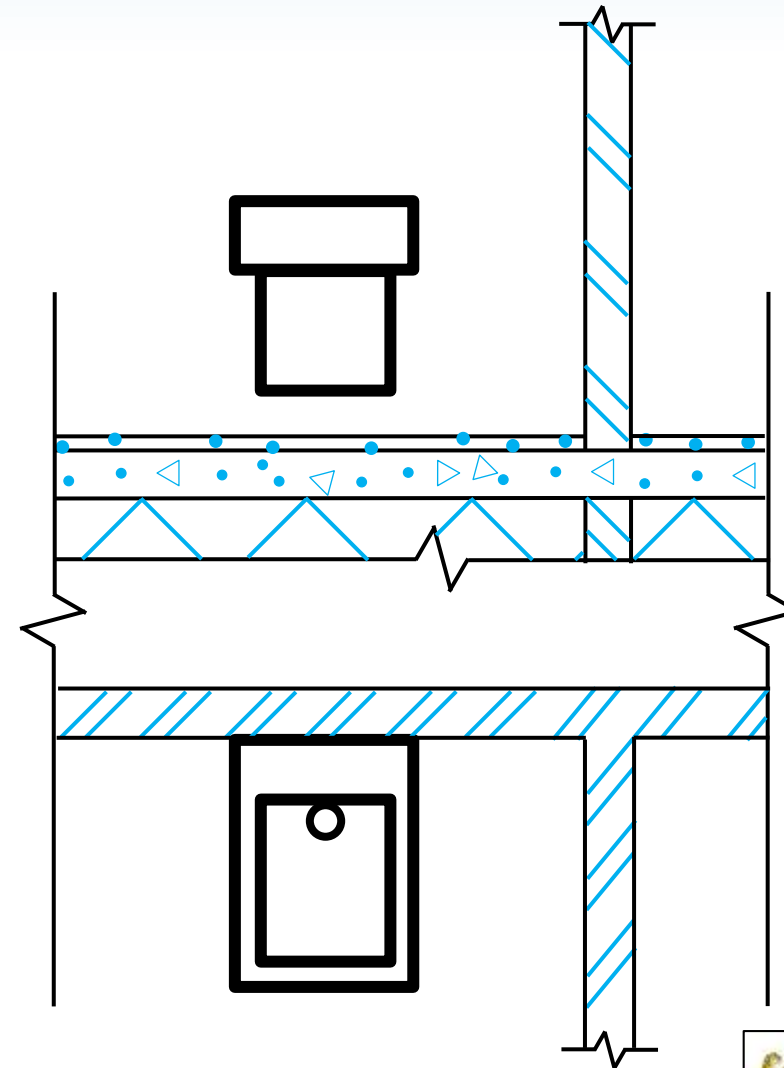
SANS 10143 Symbols

- The conventional SANS representation of a **SLAB or STALL URINAL (U)**



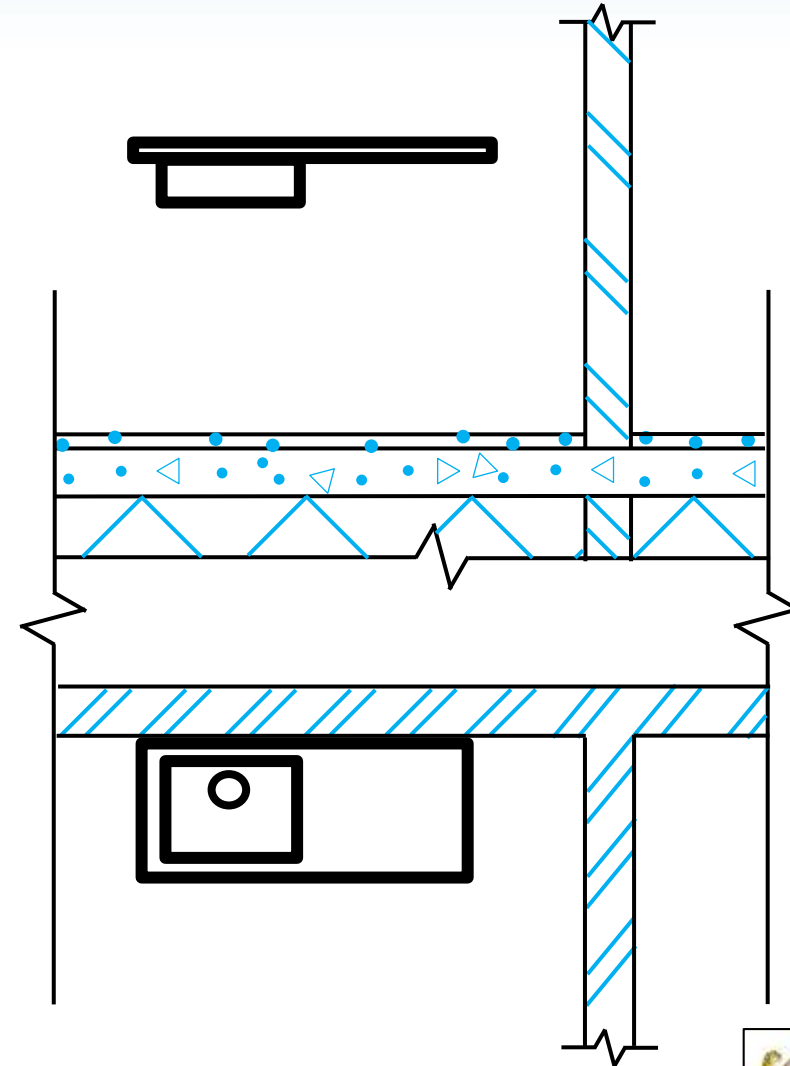
SANS 10143 Symbols

The conventional SANS representation of a **BIDED** (State whether water supply is over or under the rim)



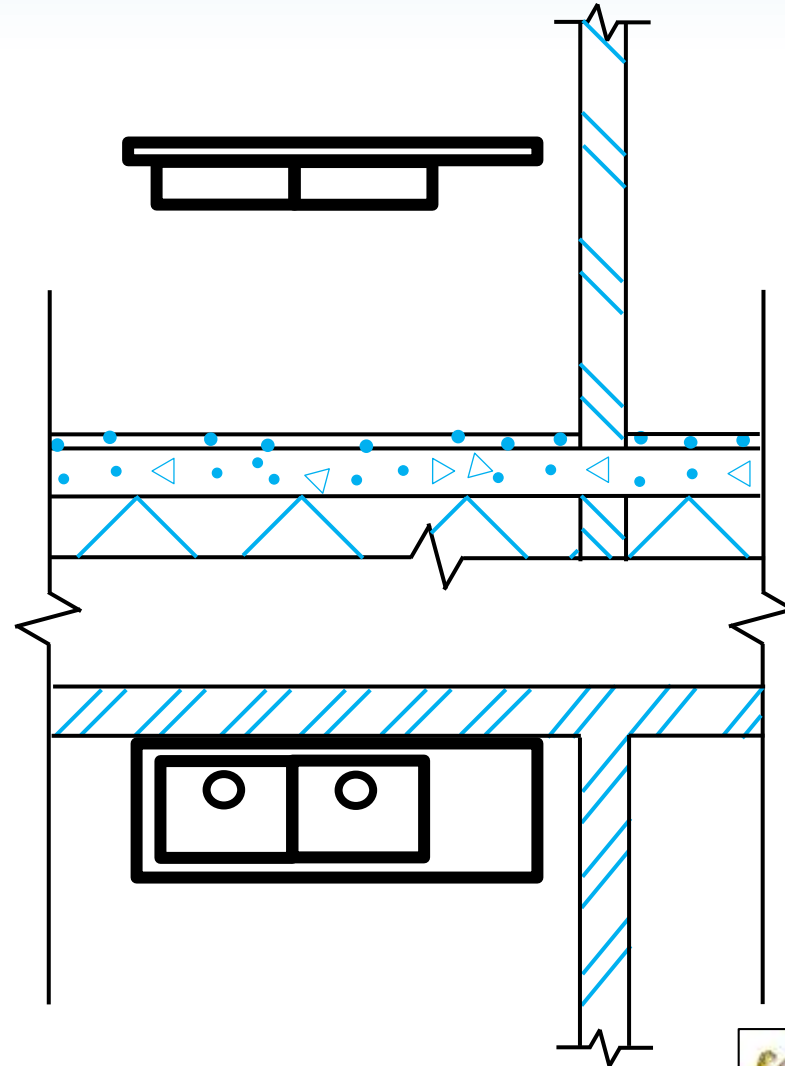
SANS 10143 Symbols

- The conventional SANS representation of a **SINGLE SINK (S)**



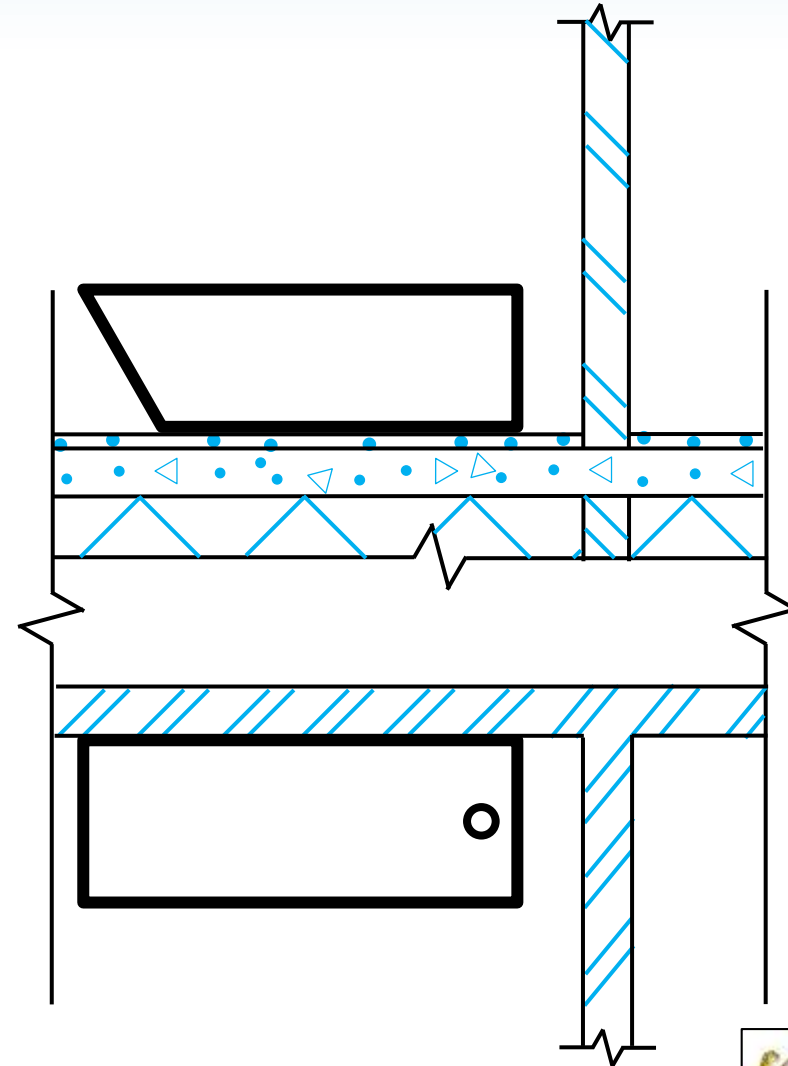
SANS 10143 Symbols

- The conventional SANS representation of a **DOUBLE SINK (S)**



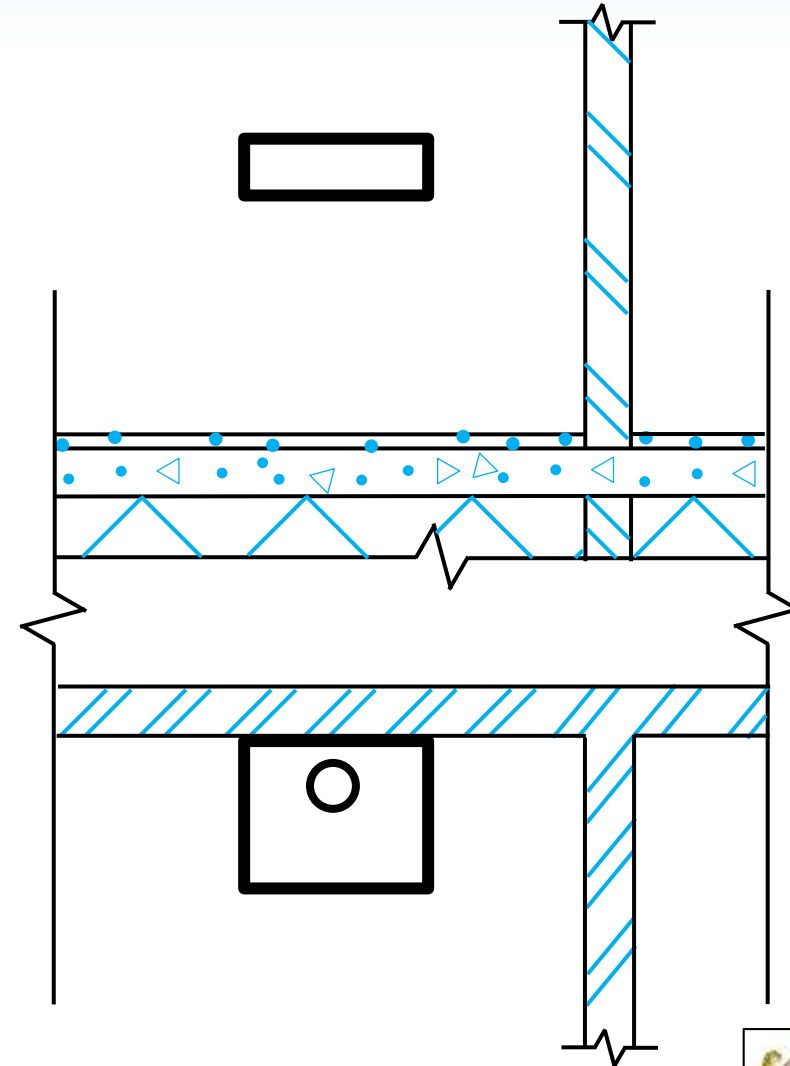
SANS 10143 Symbols

- The conventional SANS representation of a **BATH (B)**



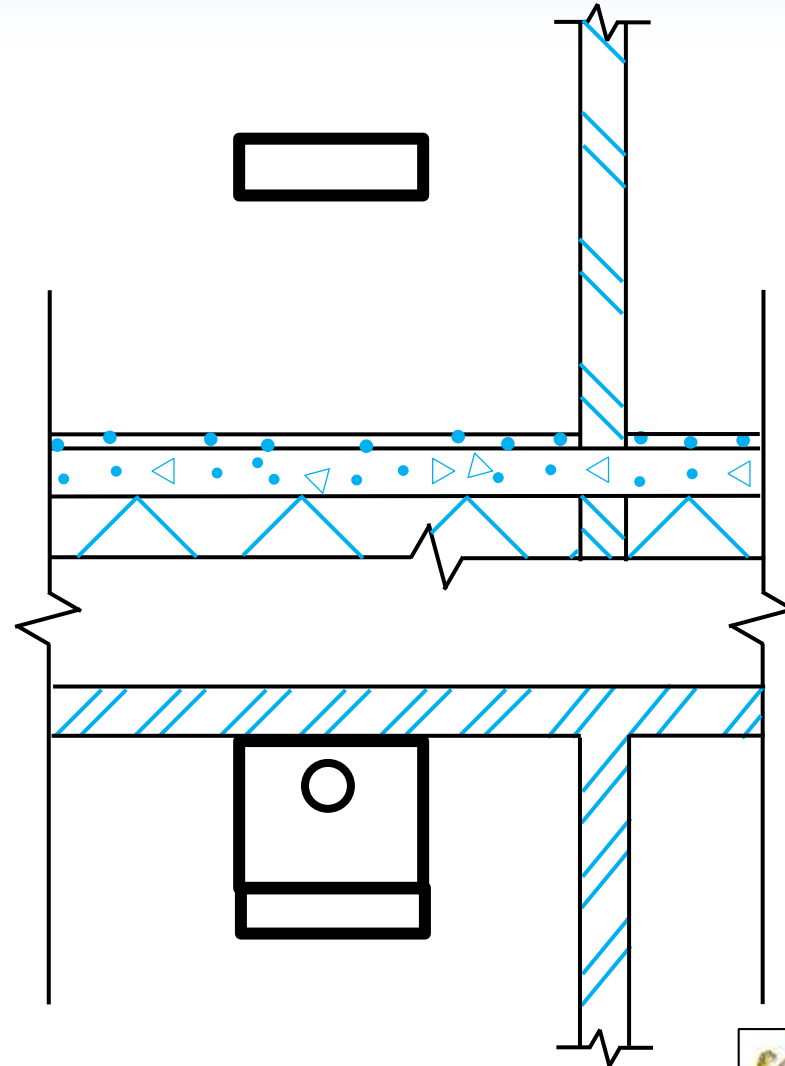
SANS 10143 Symbols

- The conventional SANS representation of a **WASH BASIN (WB)**



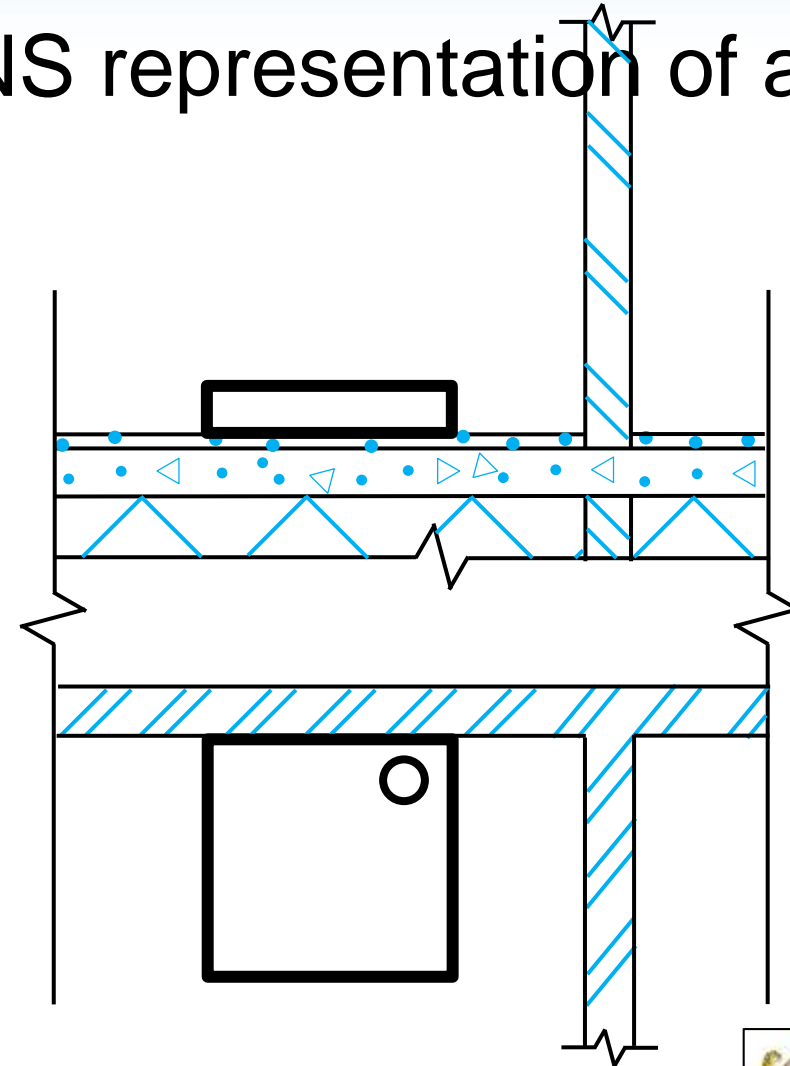
SANS 10143 Symbols

- The conventional SANS representation of a **WASH TROUGH (WT)**



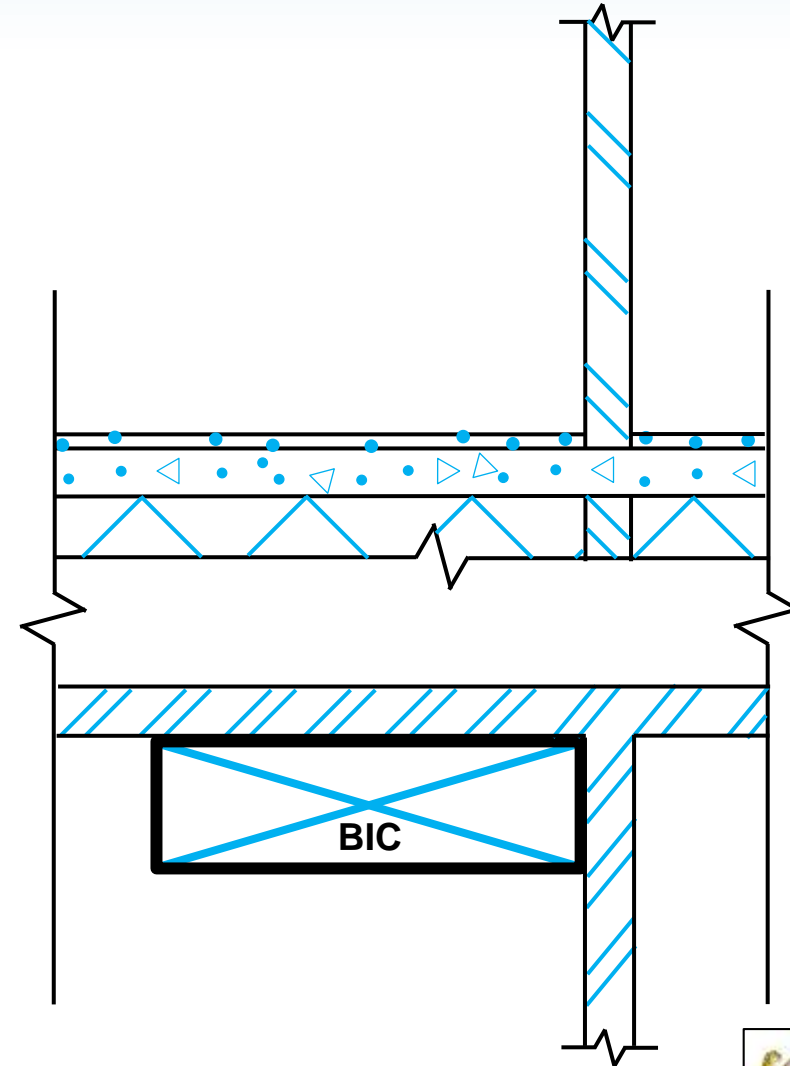
SANS 10143 Symbols

- The conventional SANS representation of a **SHOWER (SH)**



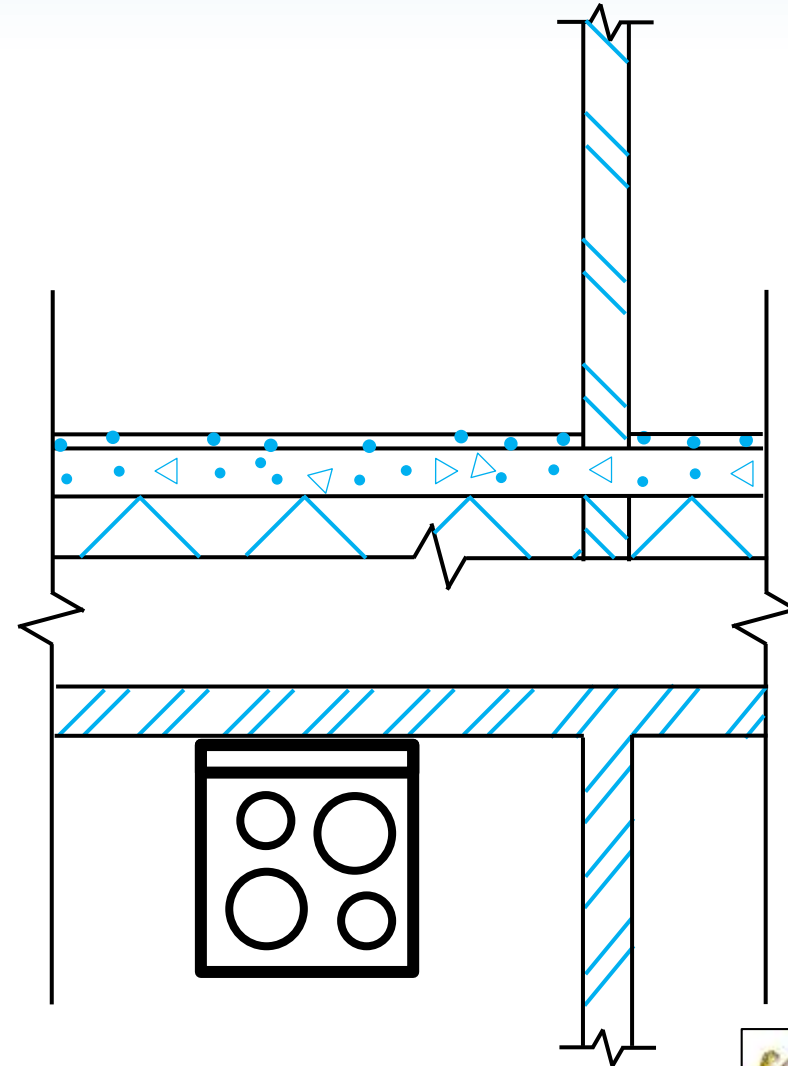
SANS 10143 Symbols

- The conventional SANS representation of a **BUILD IN CABINET (BIC)**



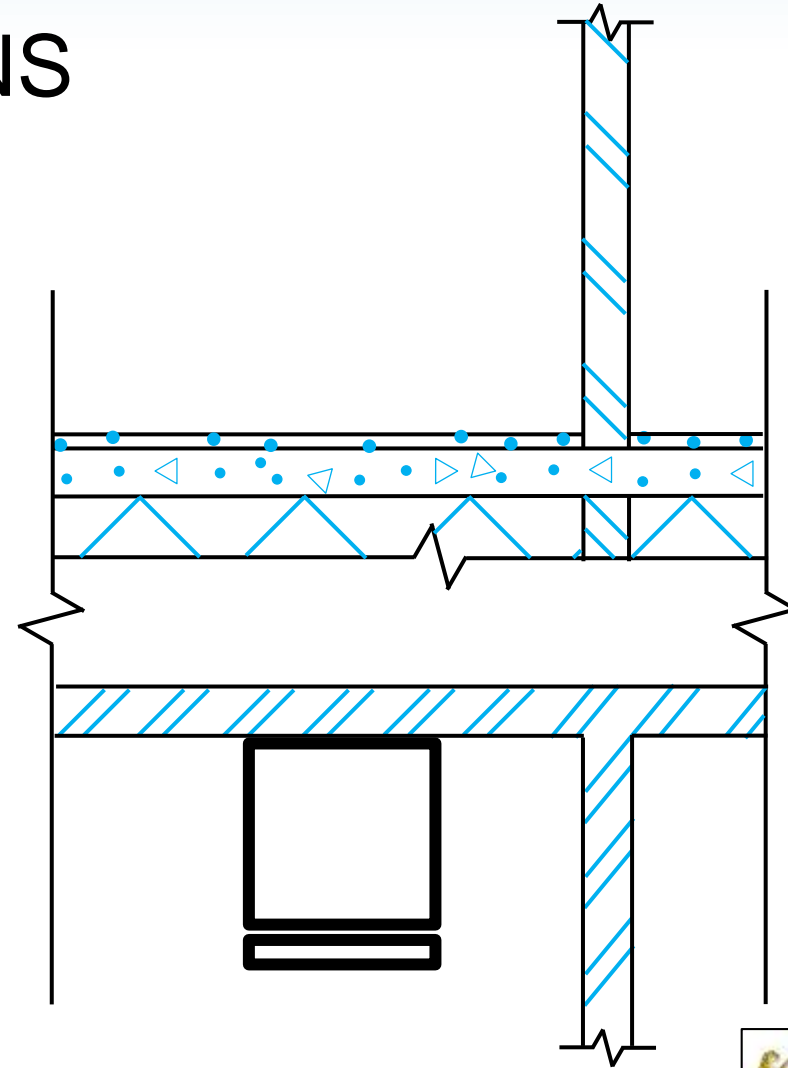
SANS 10143 Symbols

- The conventional SANS representation of a **STOVE**



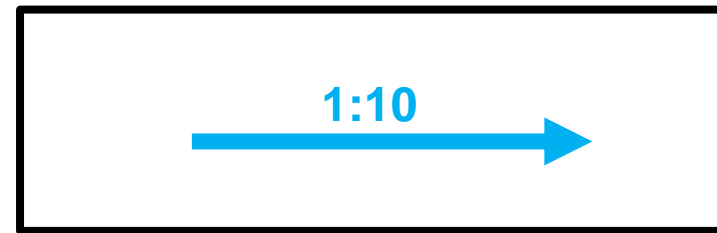
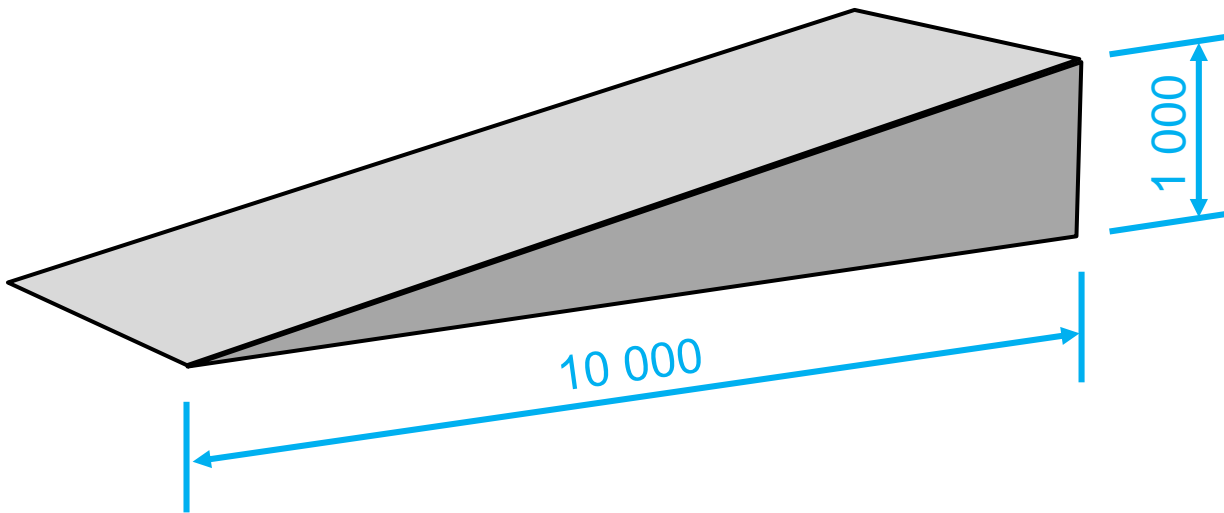
SANS 10143 Symbols

- The conventional SANS representation of a **FRIDGE**



SANS 10143 Symbols

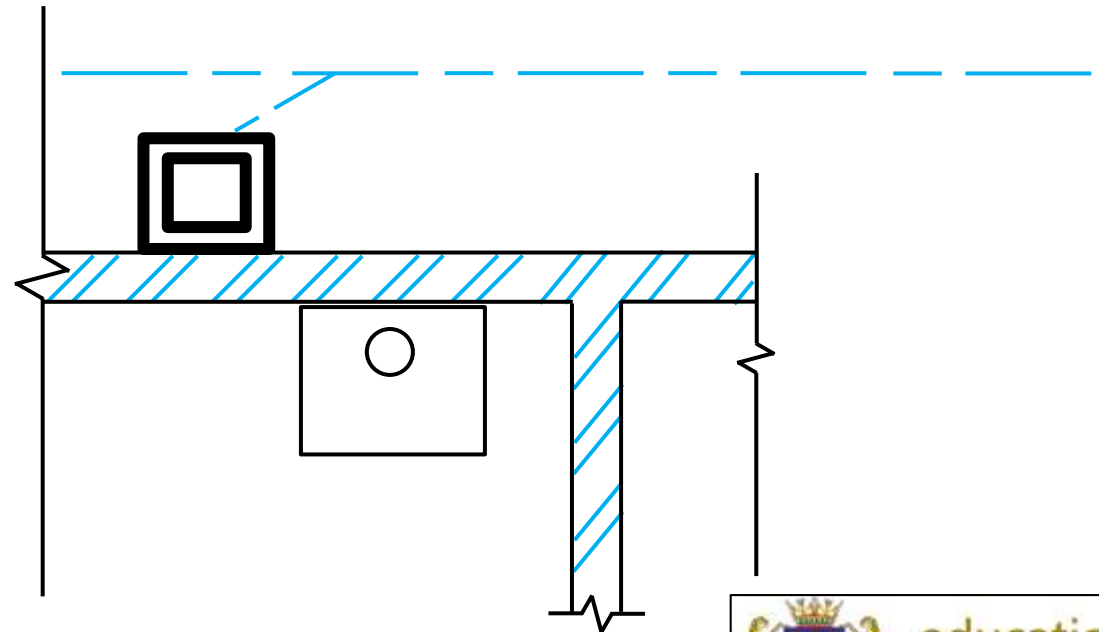
- The conventional SANS representation of a **RAMP**



ARROW INDICATES UPWARDS

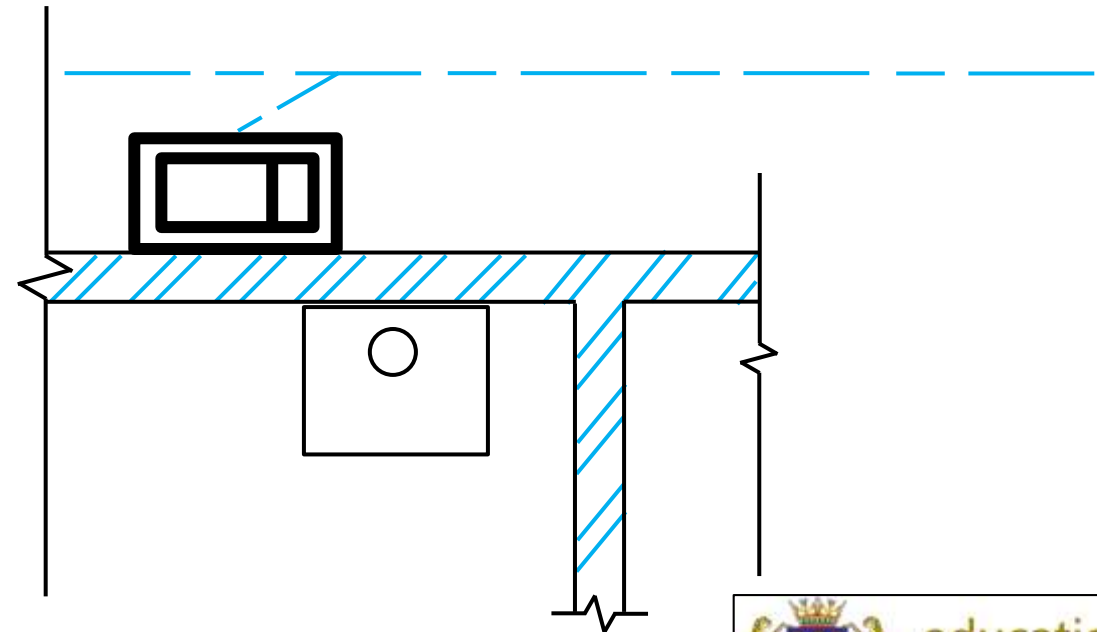
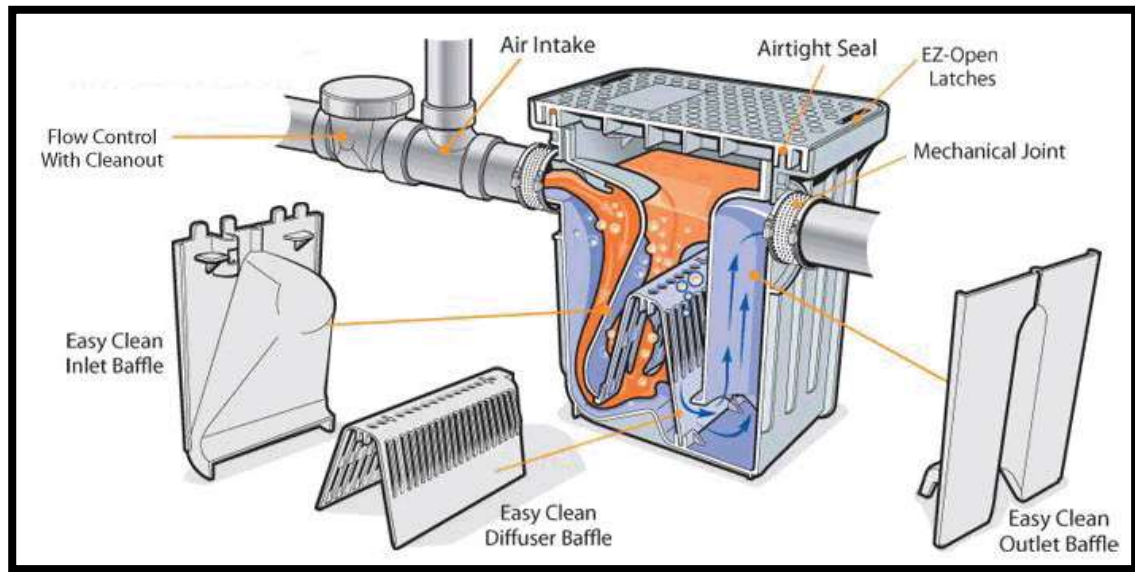
SANS 10143 Symbols

- The conventional SANS representation of a **GULLY**



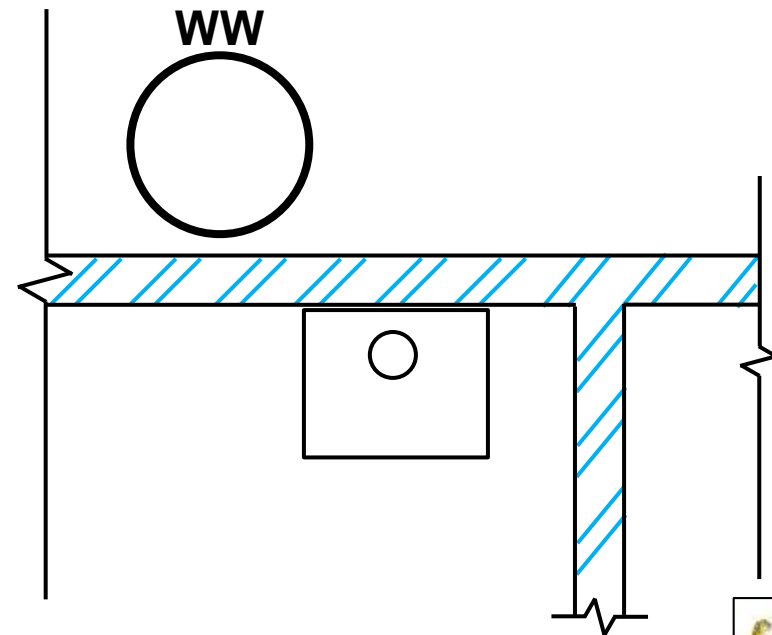
SANS 10143 Symbols

- The conventional SANS representation of a **GREASE TRAP**



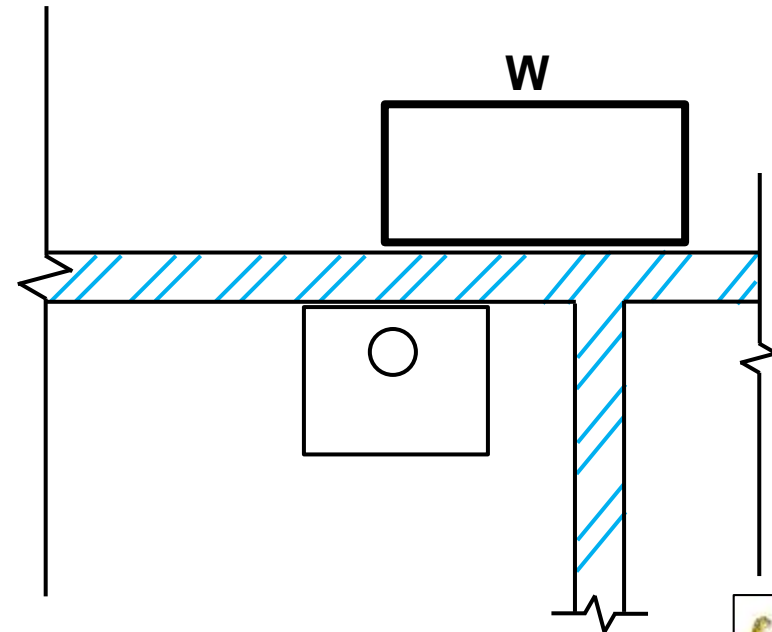
SANS 10143 Symbols

- The conventional SANS representation of a **HOT WATER CYLINDER (GEYSER)**



SANS 10143 Symbols

- The conventional SANS representation of a **WATER TANK**



SANS 10143 Symbols

- The conventional SANS representation of a **WATER METER**

