

Grade 11
CIVIL PAT
(Sectioned Elevation
Windows and doors)

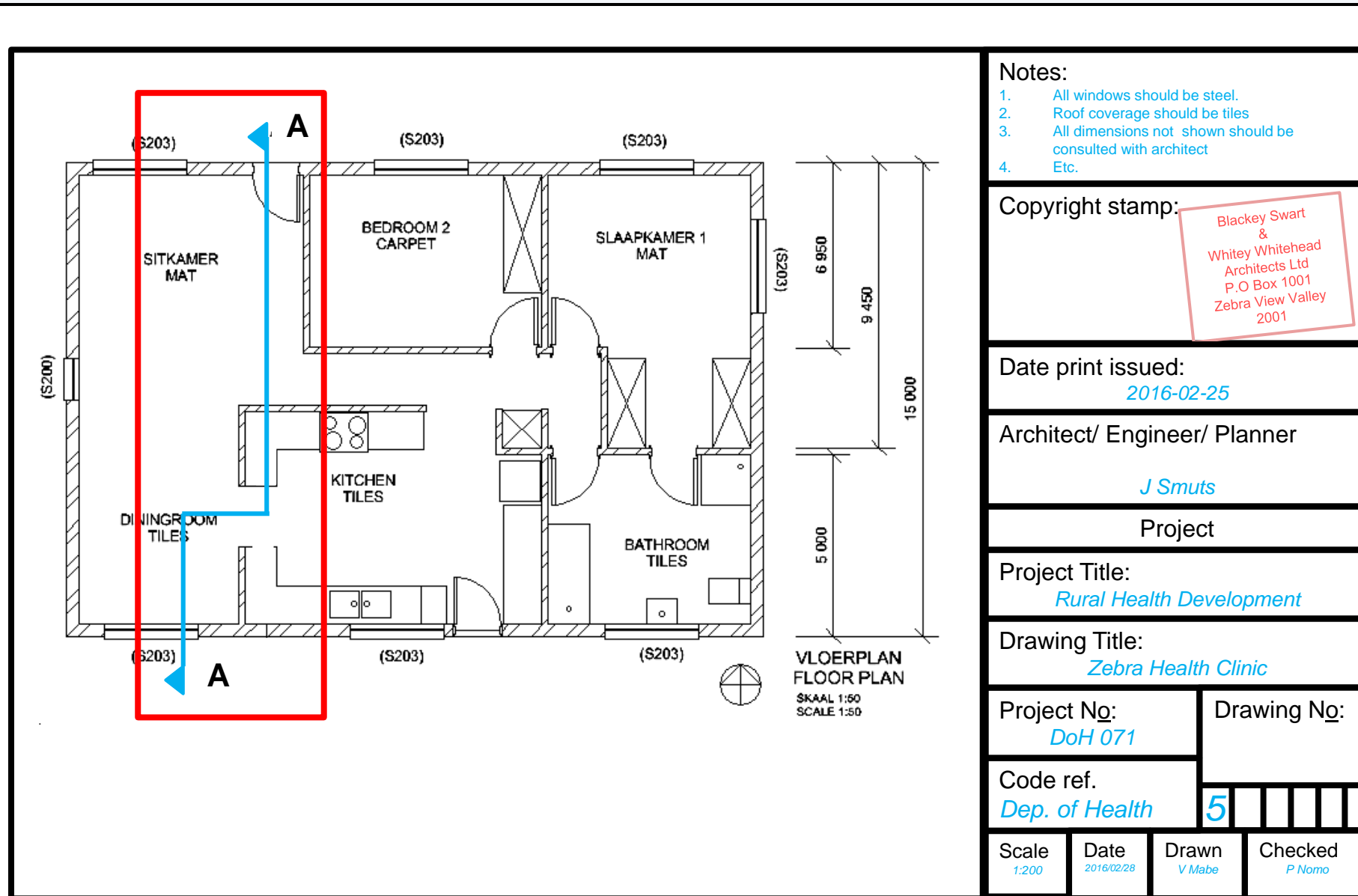
Developed by: PC Viljoen
Senior Educational Specialist for
Engineering Graphics and Design
Free State Province

PRESCRIBED CONTENT FOR GRADE 10, 11 & 12

- The sectioned view will be evaluated on the following:

8	Show on a scale of 1:20 the SECTIONED VIEW of:				
8.1	The sectioned area cutting through a door and window .	2			
8.2	Dimensions of two different foundations (load-bearing walls and non-load-bearing walls).	2			
8.3	All hatching detail on this drawing.	1			
8.4	Foundation, walls	2			
8.5	All labels, notes and annotations .	1			
8.6	The sectioned according to the indicated cutting plane	1			
8.7	Scale of the drawing	1			
	TOTAL	10			

CUTTING PLANE THROUGH DOOR AND WINDOW



Notes:

1. All windows should be steel.
2. Roof coverage should be tiles
3. All dimensions not shown should be consulted with architect
4. Etc.

Copyright stamp:

Blackey Swart
&
Whitey Whitehead
Architects Ltd
P.O Box 1001
Zebra View Valley
2001

Date print issued:

2016-02-25

Architect/ Engineer/ Planner

J Smuts

Project

Project Title:

Rural Health Development

Drawing Title:

Zebra Health Clinic

Project No:

DoH 071

Drawing No:

5

Code ref.

Dep. of Health

Scale

1:200

Date

2016/02/28

Drawn

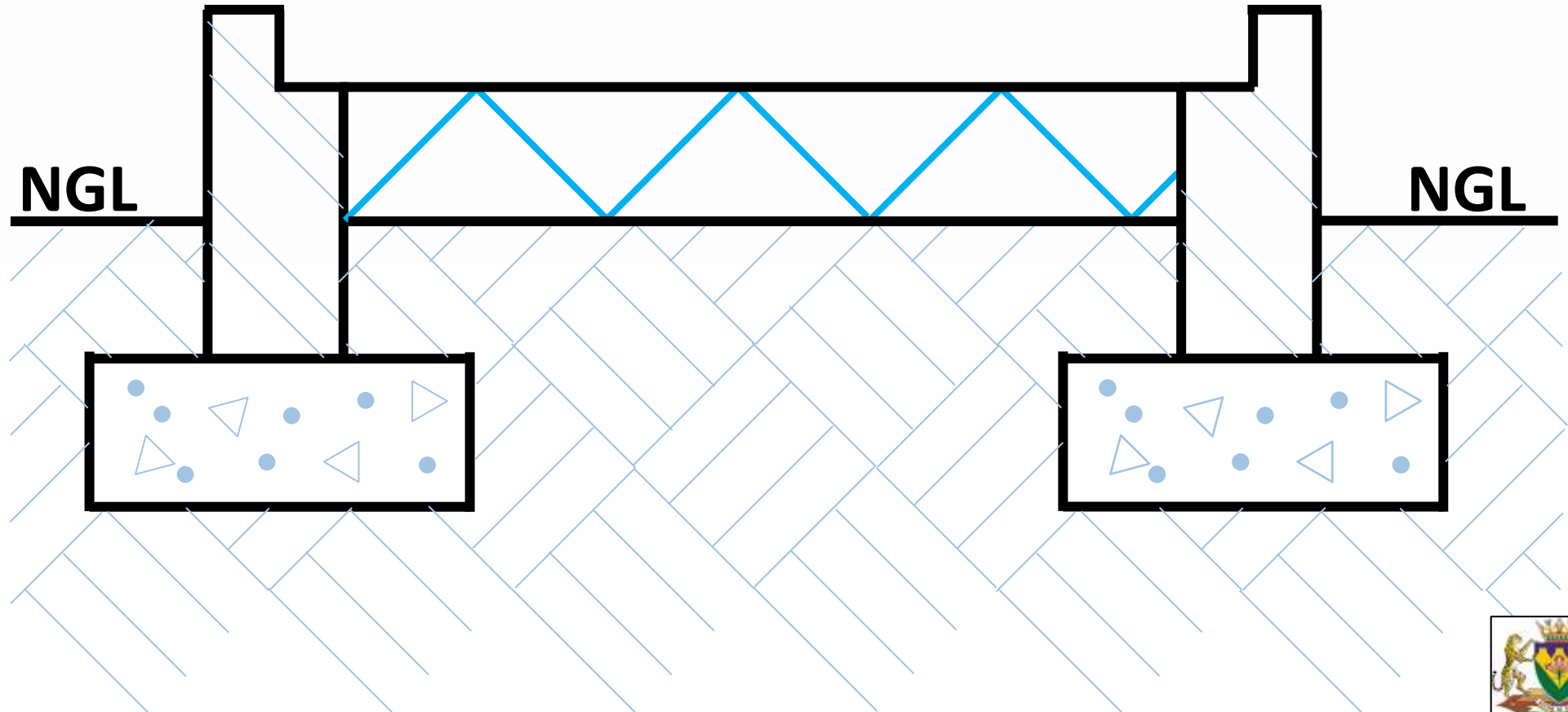
V Mabe

Checked

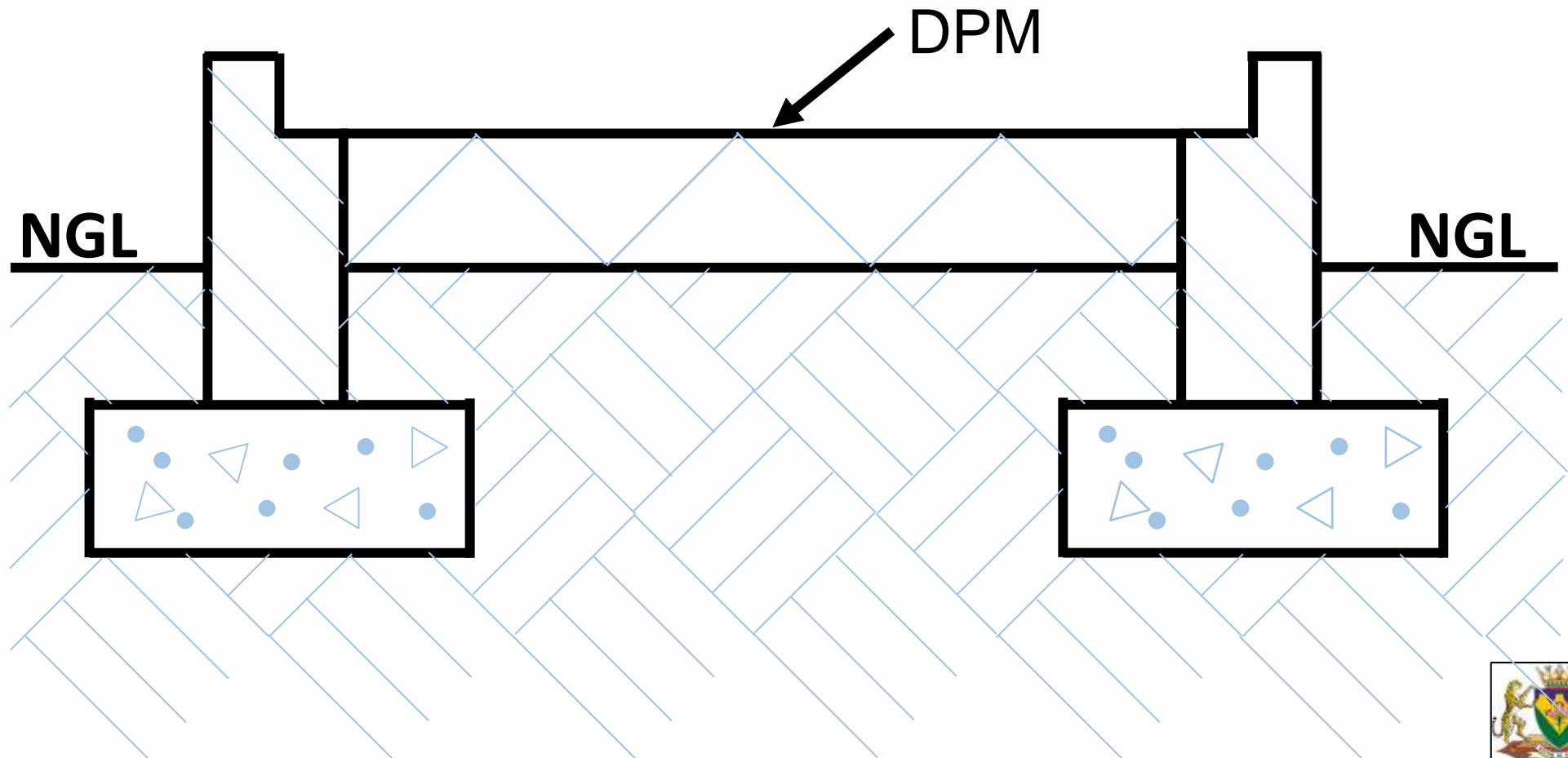
P Nomo

FILLING & COMPACTING

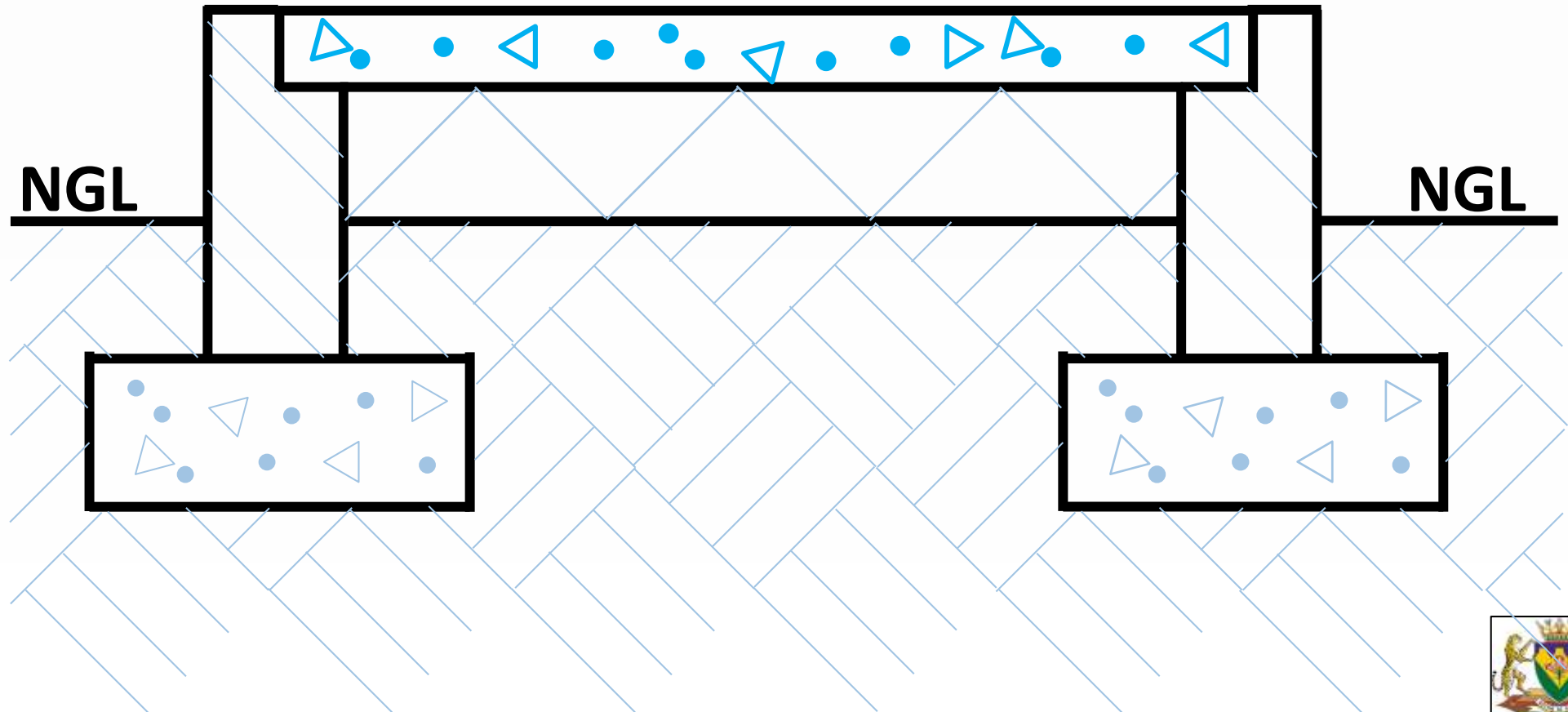
- Hard core filling



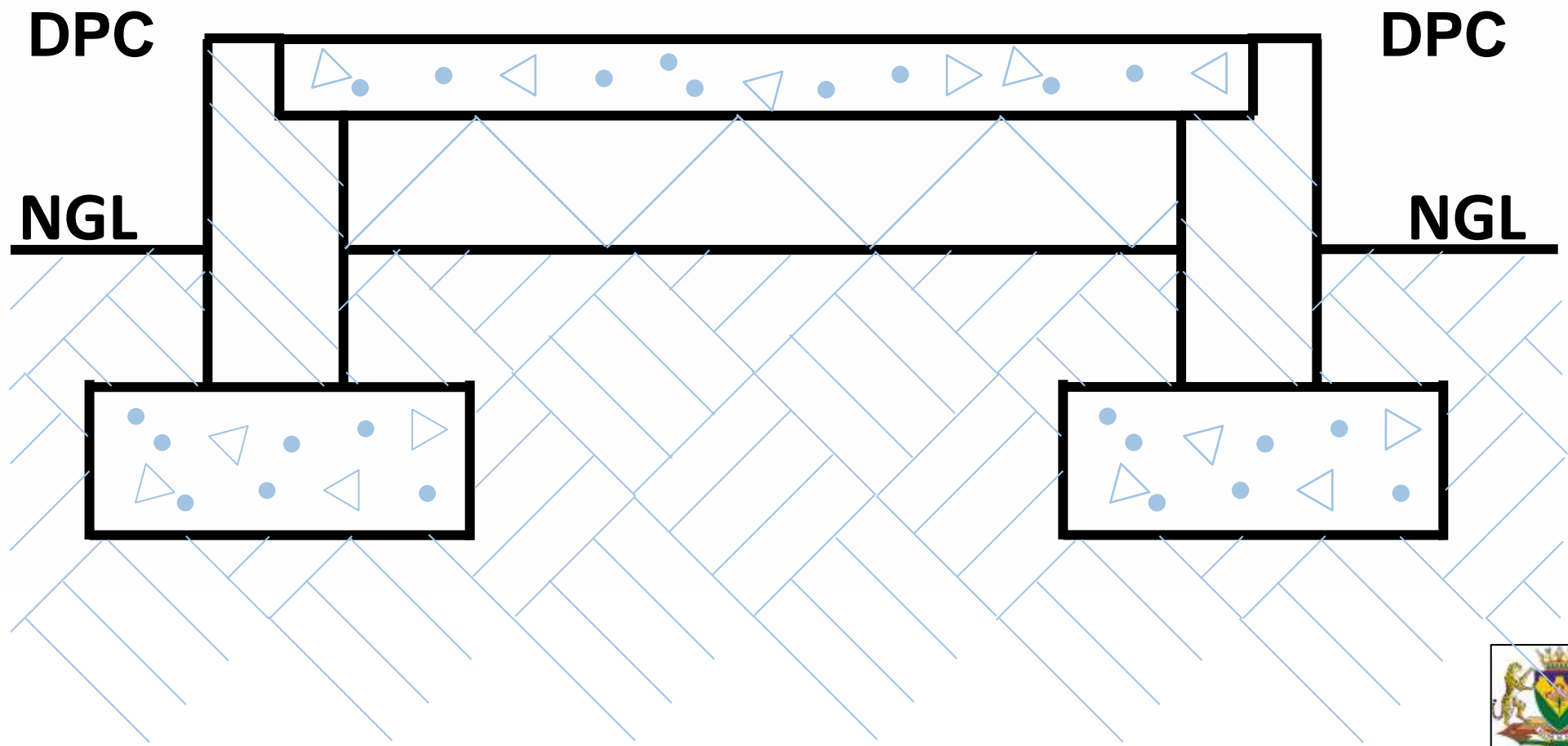
DAMP PROOF MEMBRANE



CASTING THE CONCRETE SLAB

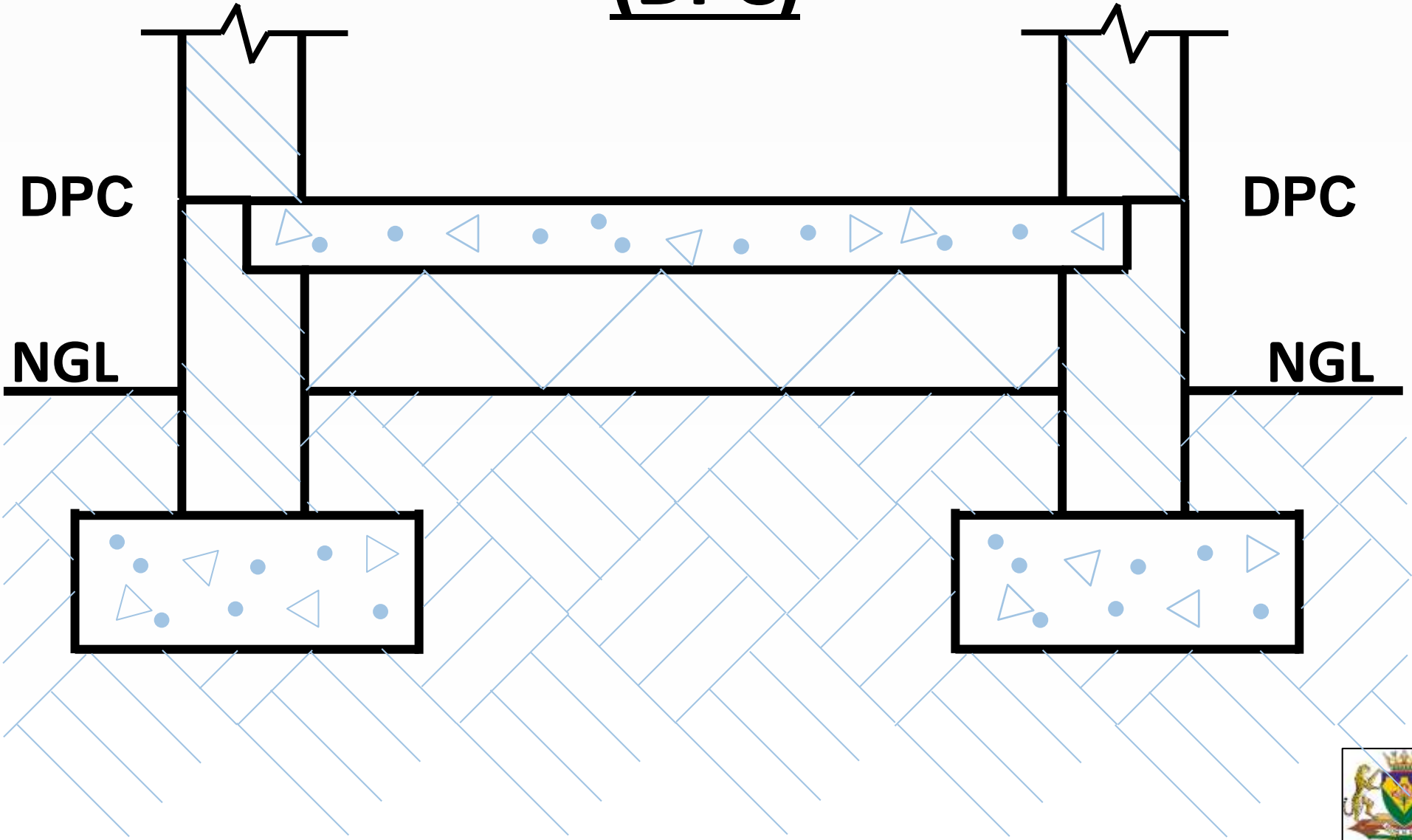


DAMP PROOF COURSE (DPC)

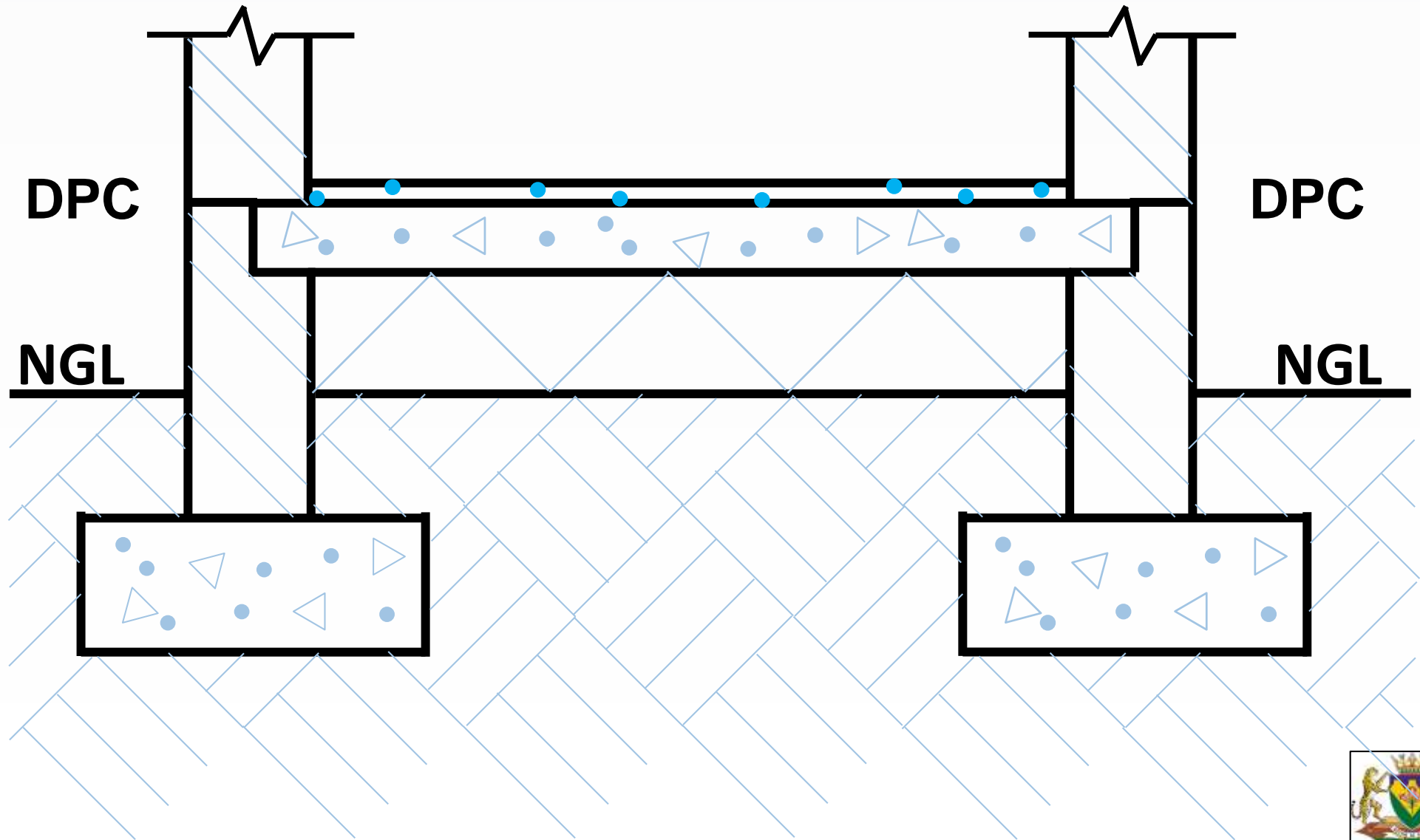


BUILDING ON DAMP PROOF COURSE

(DPC)

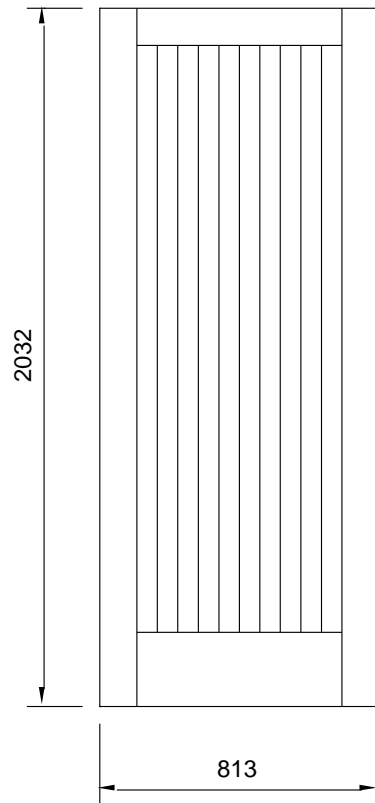


SCREED

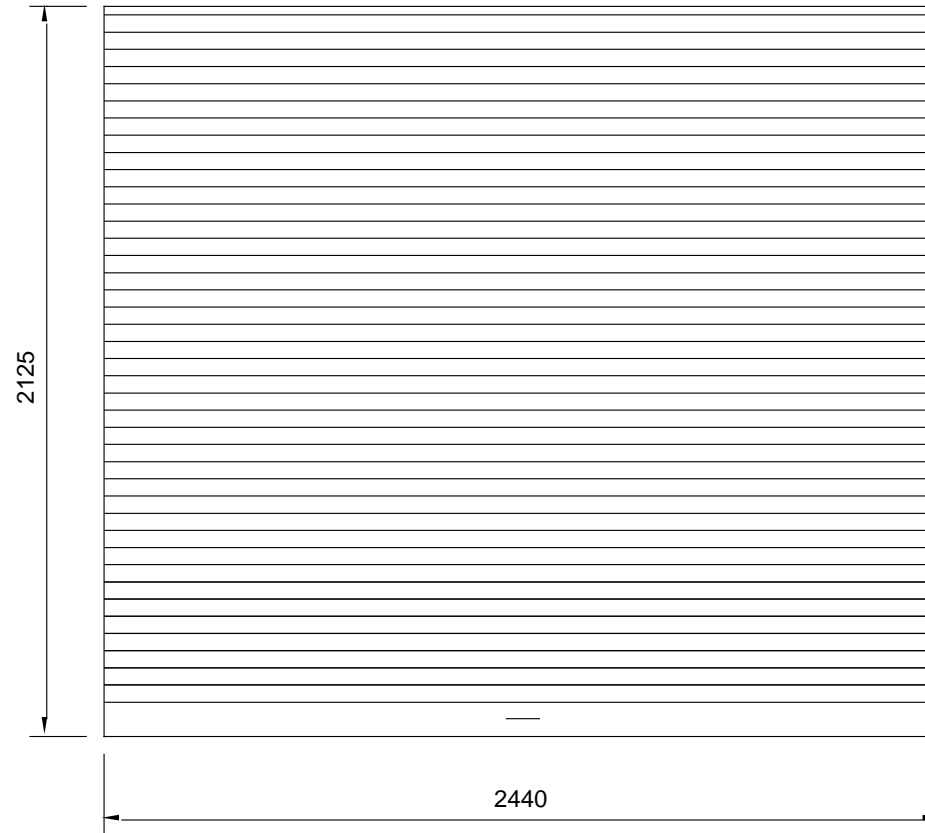


DOORS

STANDARD WOODEN DOOR



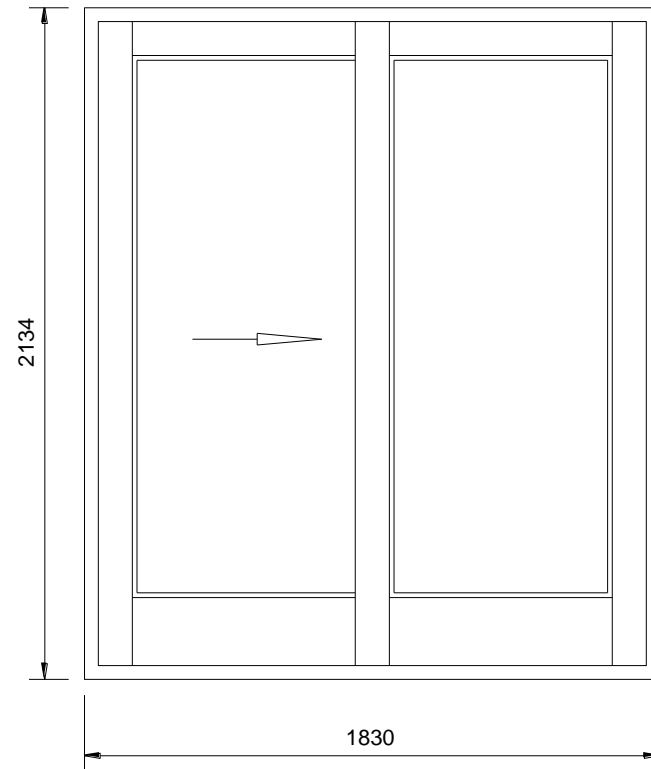
STANDARD GARAGE DOOR



DOORS

SLIDING DOORS

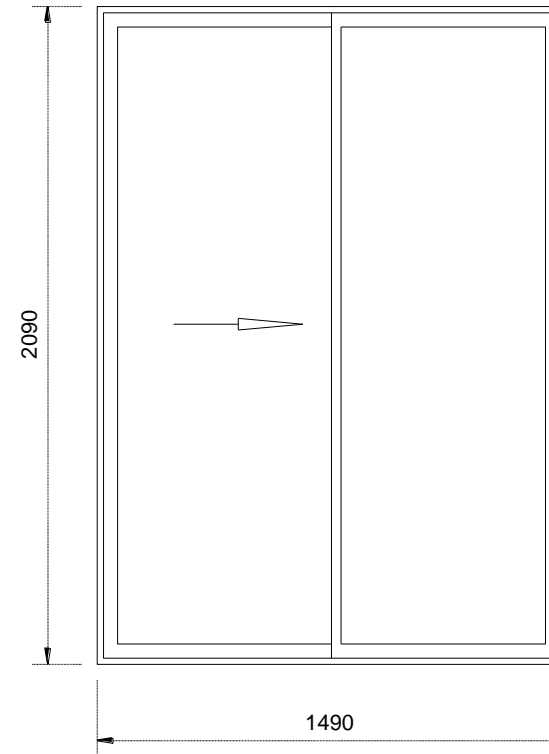
WOODEN



SIZES AVAILABLE

1830 x 2134
2430 x 2134
3048 x 2134
3658 x 2134

ALUMINIUM



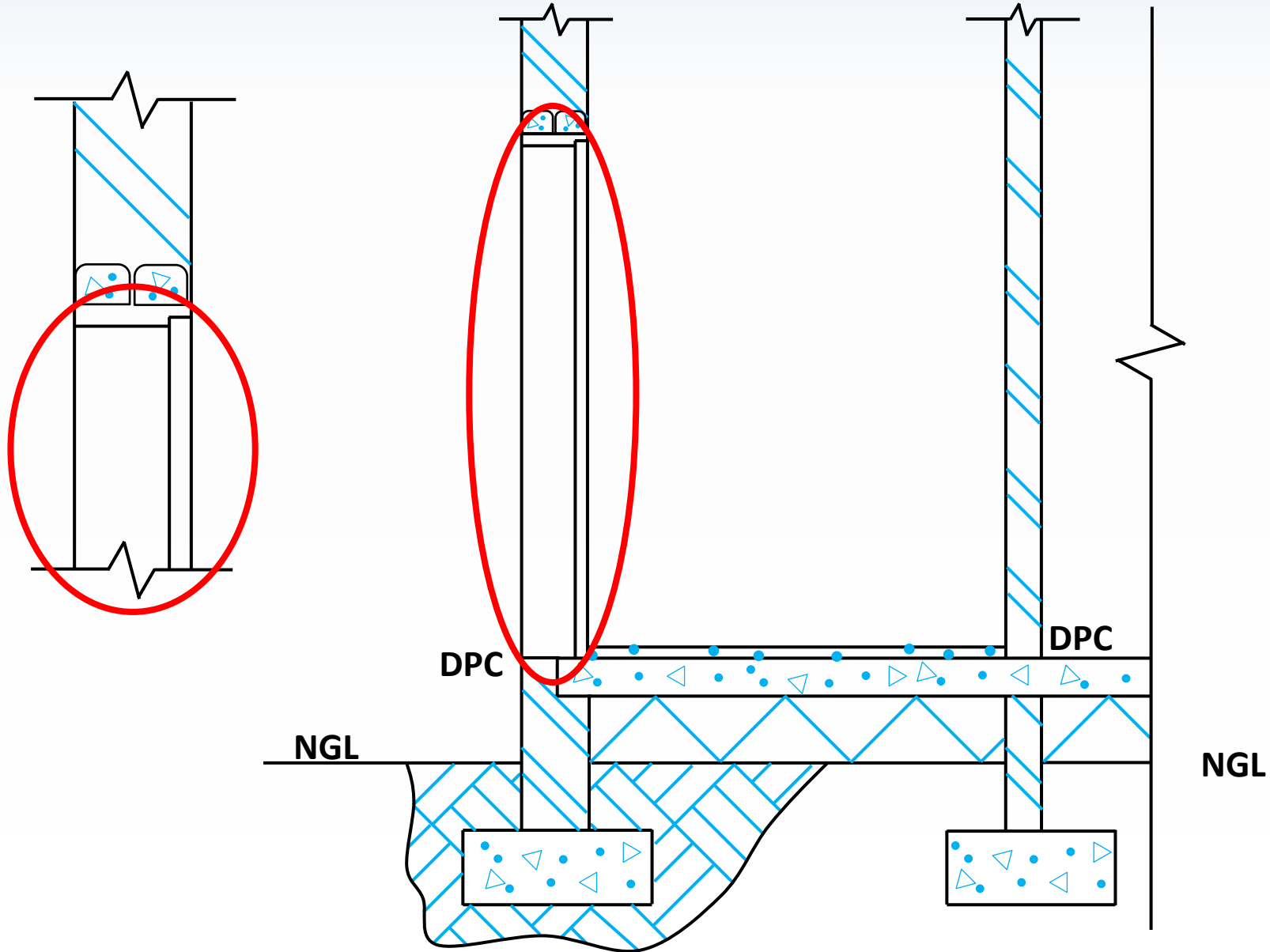
SIZES AVAILABLE

1490 x 2090
1790 x 2090
2090 x 2090
2390 x 2090
2990 x 2090

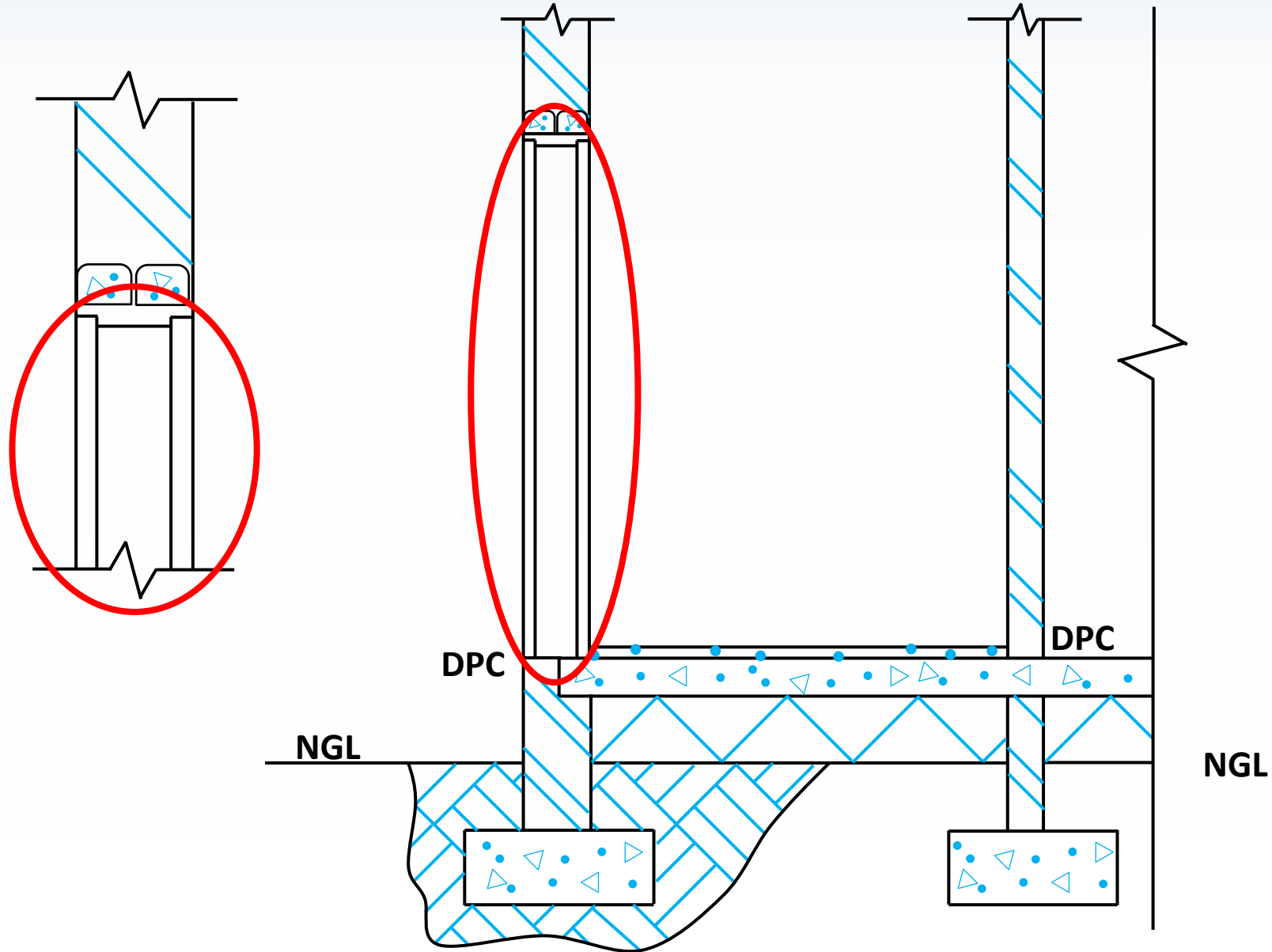
A STEEL DOOR FRAME



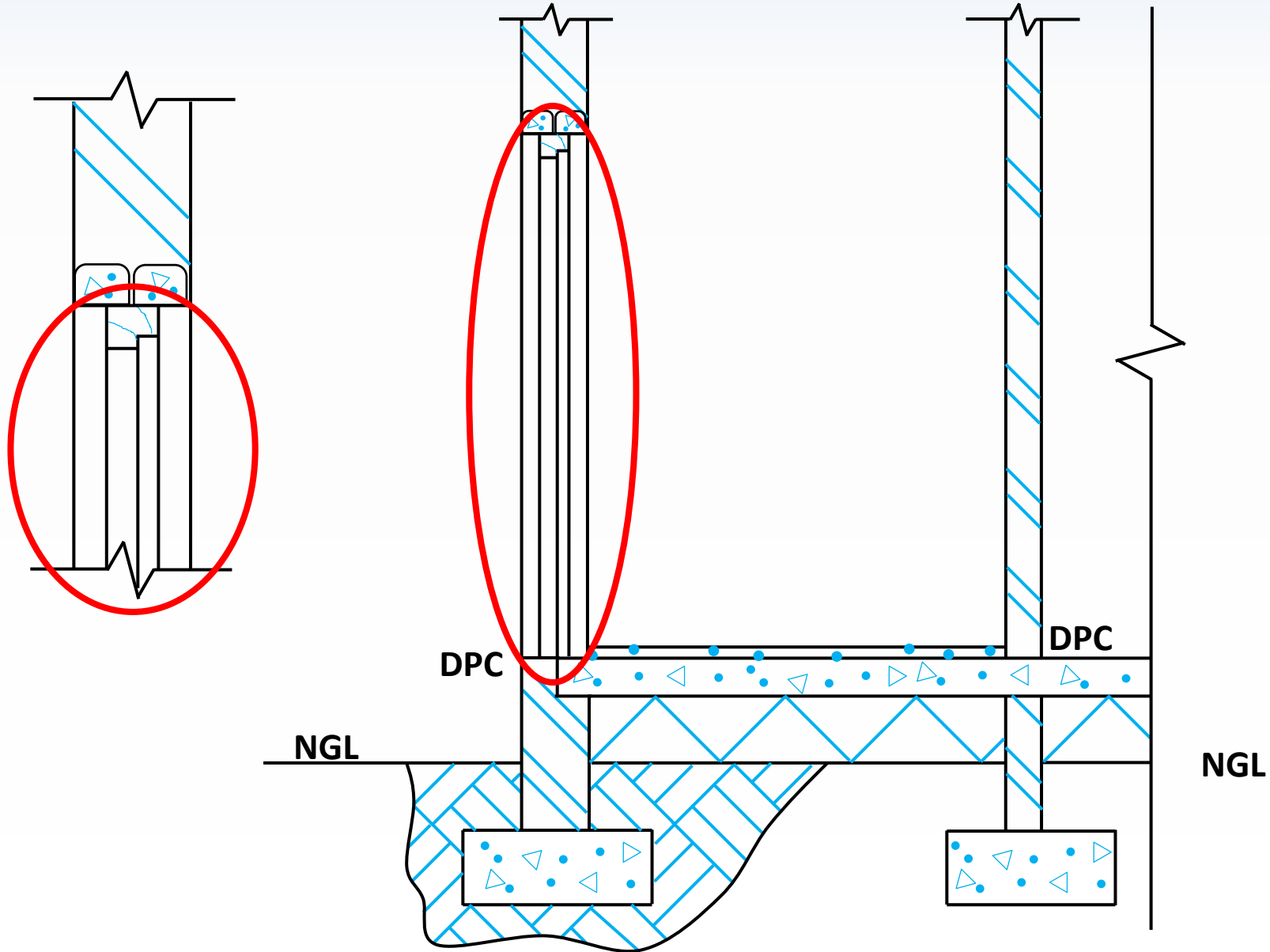
SINGLE REBATED STEEL DOOR FRAME



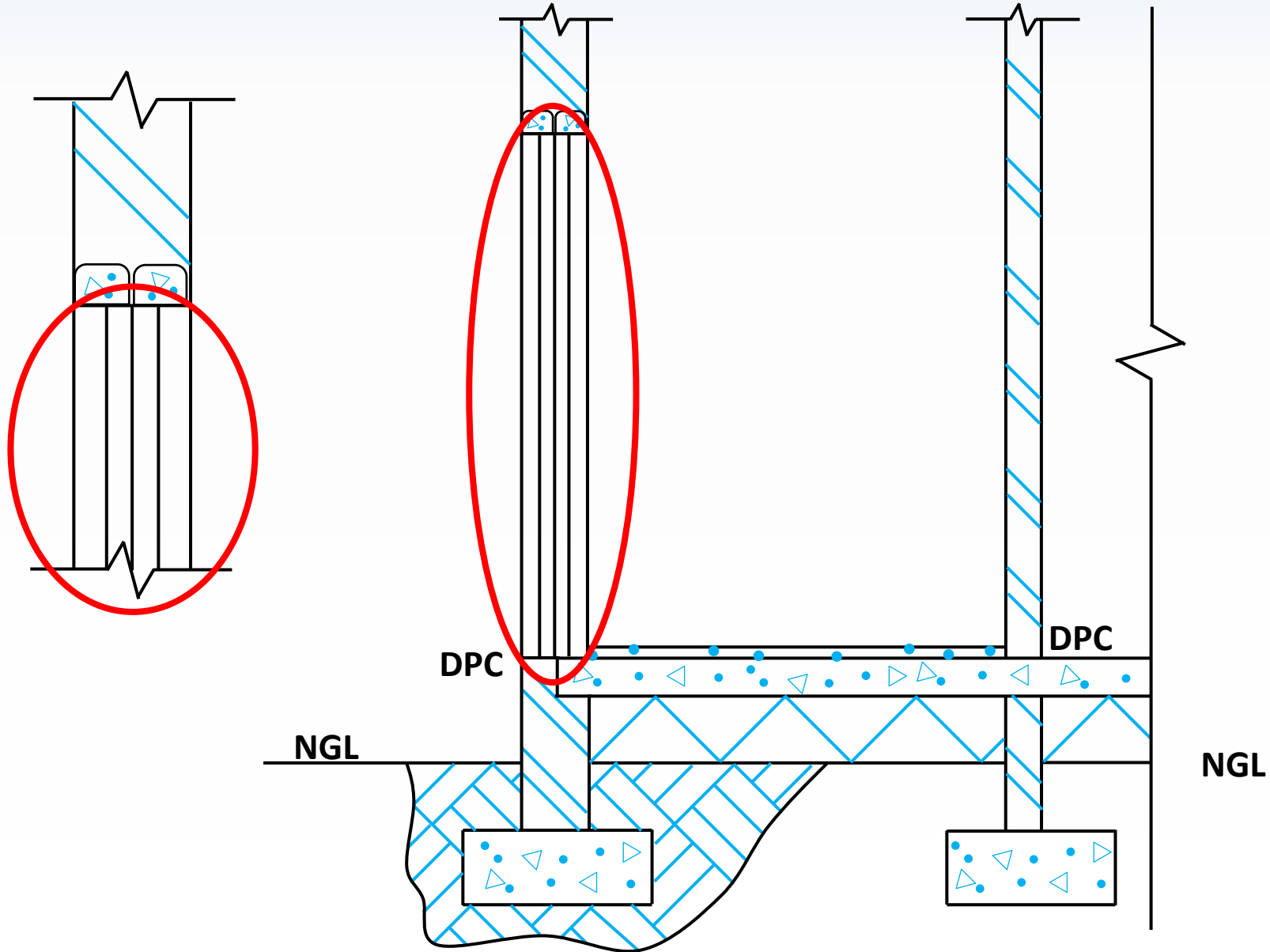
DOUBLE REBATED STEEL DOOR FRAME



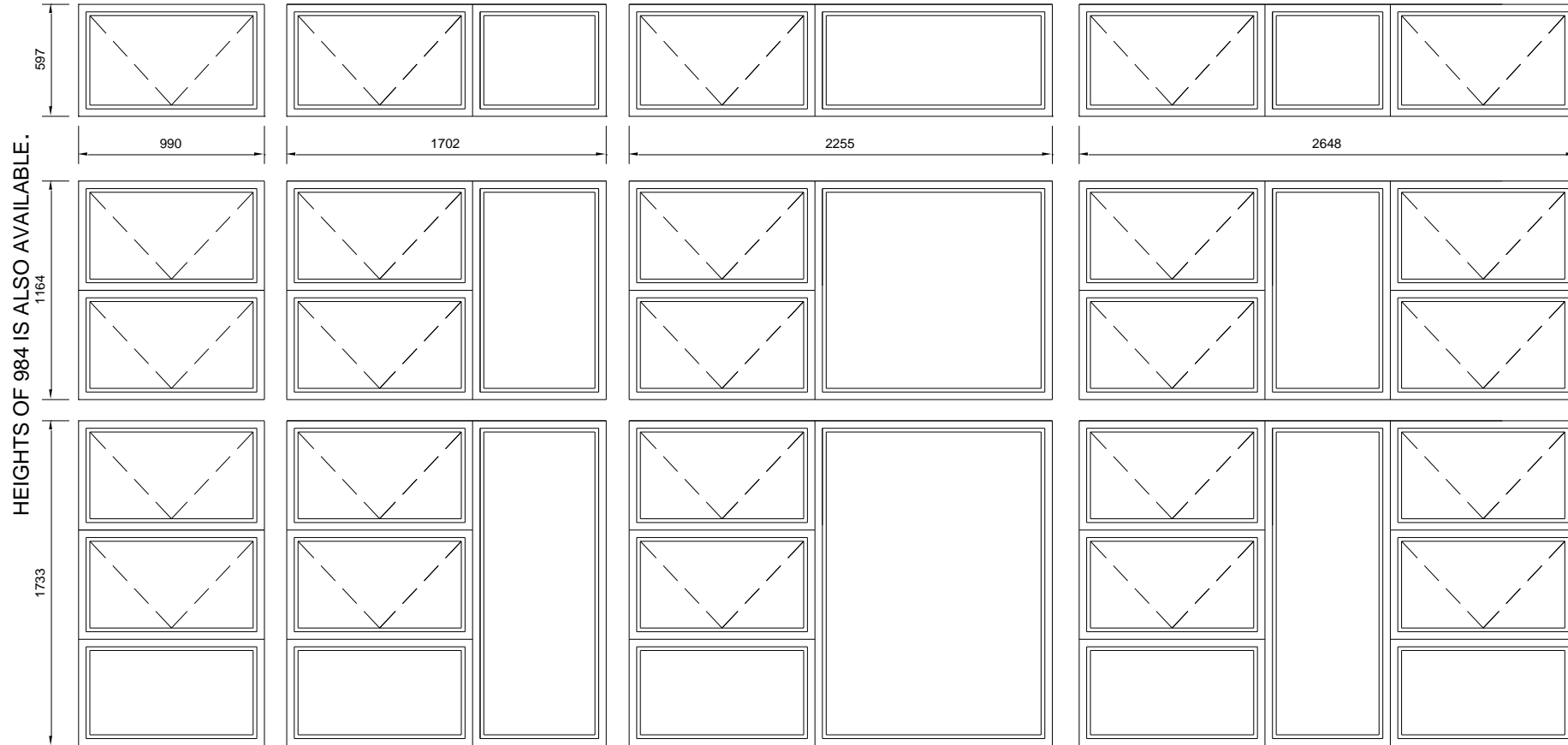
WOODEN DOOR FRAMES



ALUMINIUM DOOR FRAMES

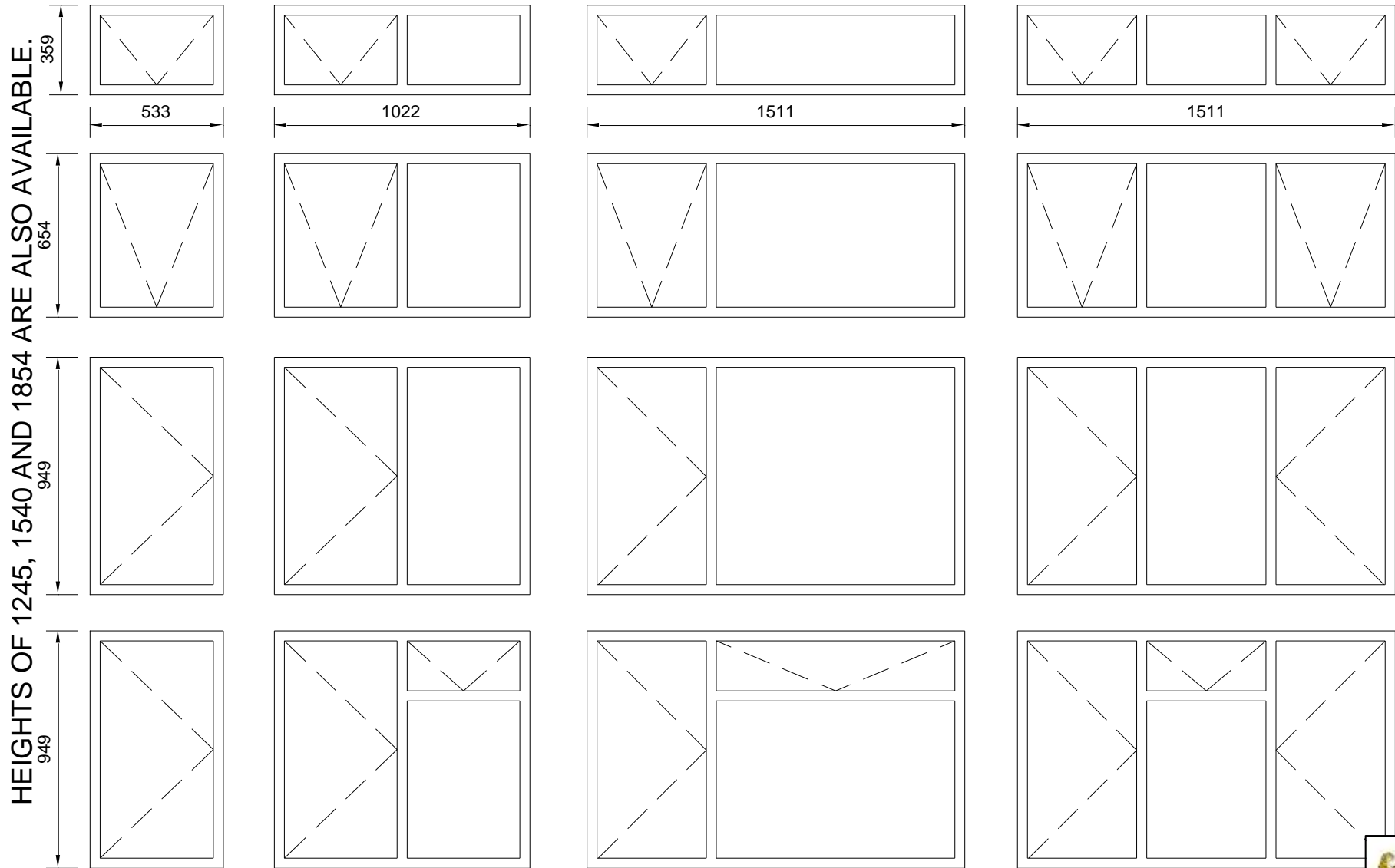


WINDOWS



WIDTHS OF 3200 IS ALSO AVAILABLE.

WINDOWS



WIDTHS OF 305, 2000 AND 2489 ARE ALSO AVAILABLE.

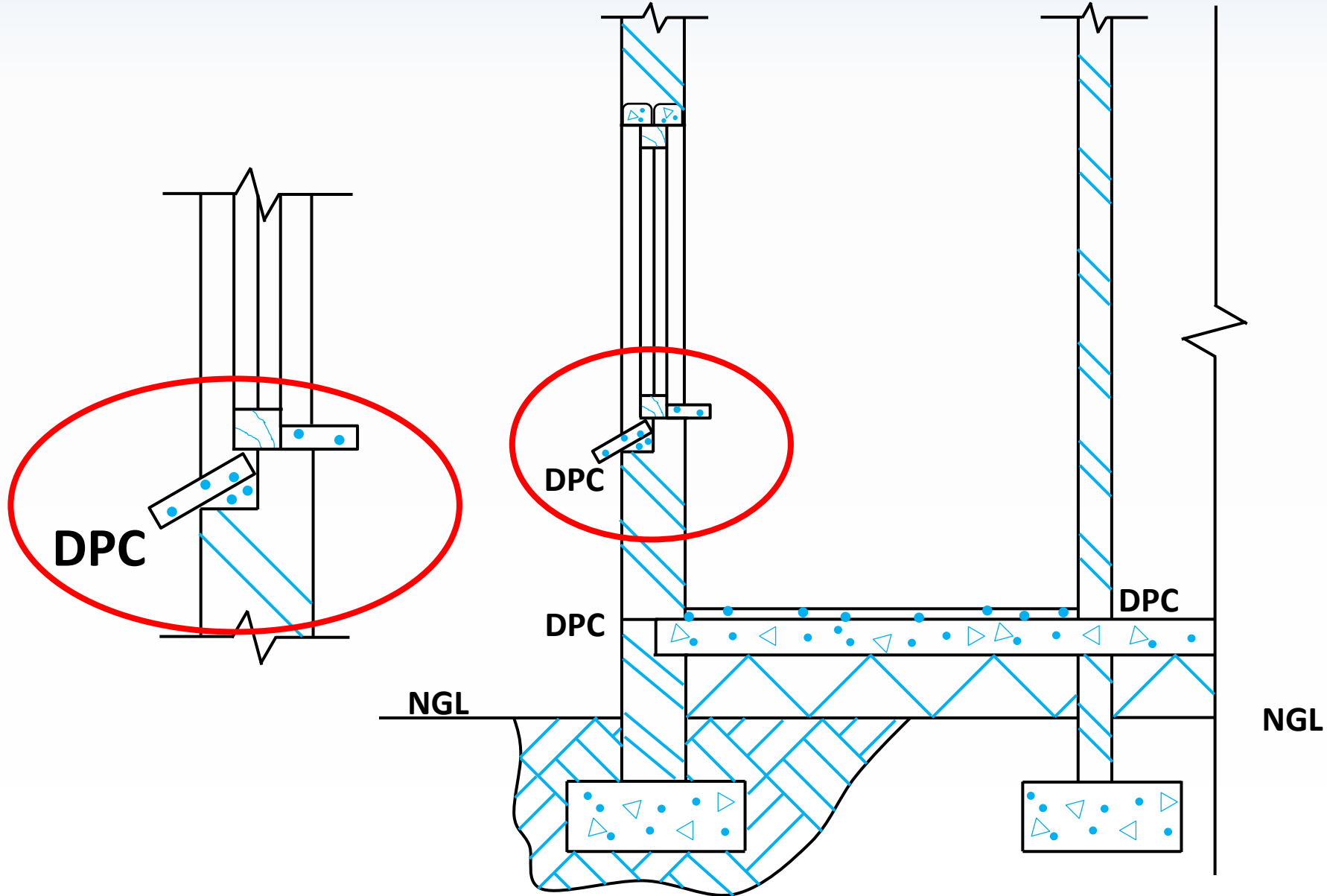
VENTILATION AND ILLUMINATION

- Any room must have a window.
 - Minimum of 10% of the floor area
 - 5% must be able to open
 - Must have cross ventilation
 - The door and window not allowed to the same wall
 - The top of the window and the top of the door should be at the same level

DPC BELOW THE WINDOWS



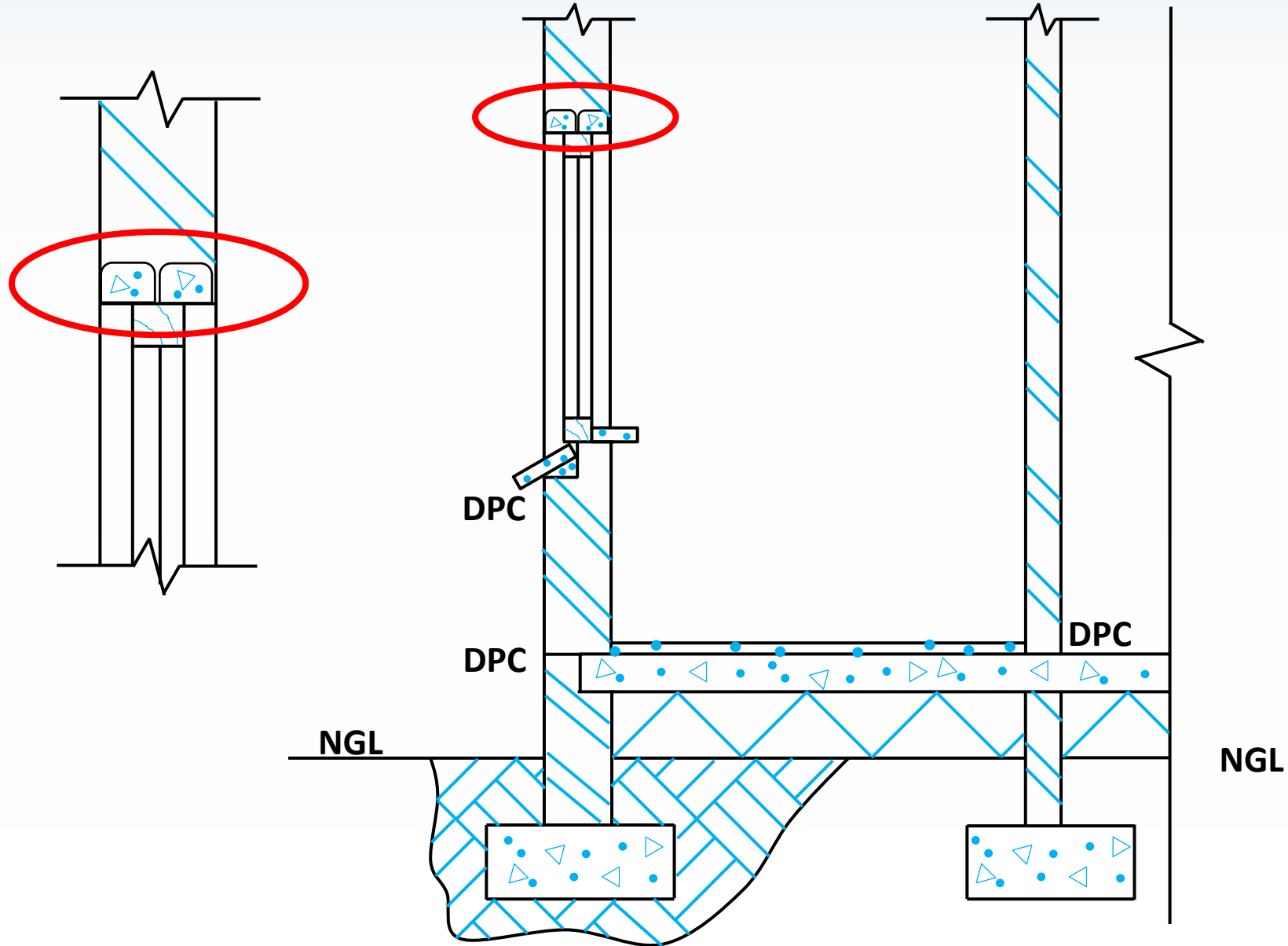
DPC, WINDOW SILL AND WINDOW FRAME



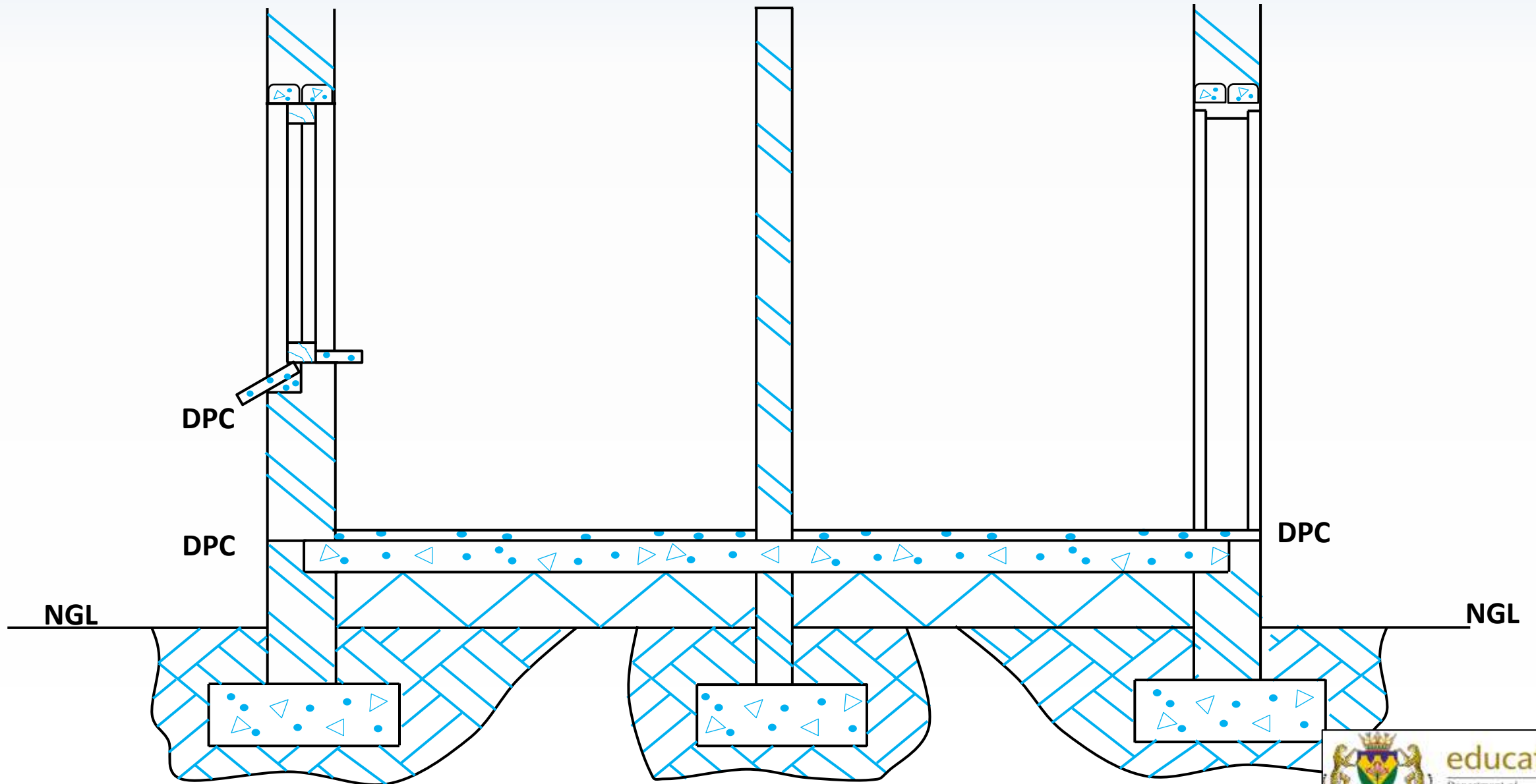
WINDOW LINTEL



WINDOW LINTEL AND WINDOW FRAMES



ALWAYS SECTION THROUGH A DOOR & WINDOW

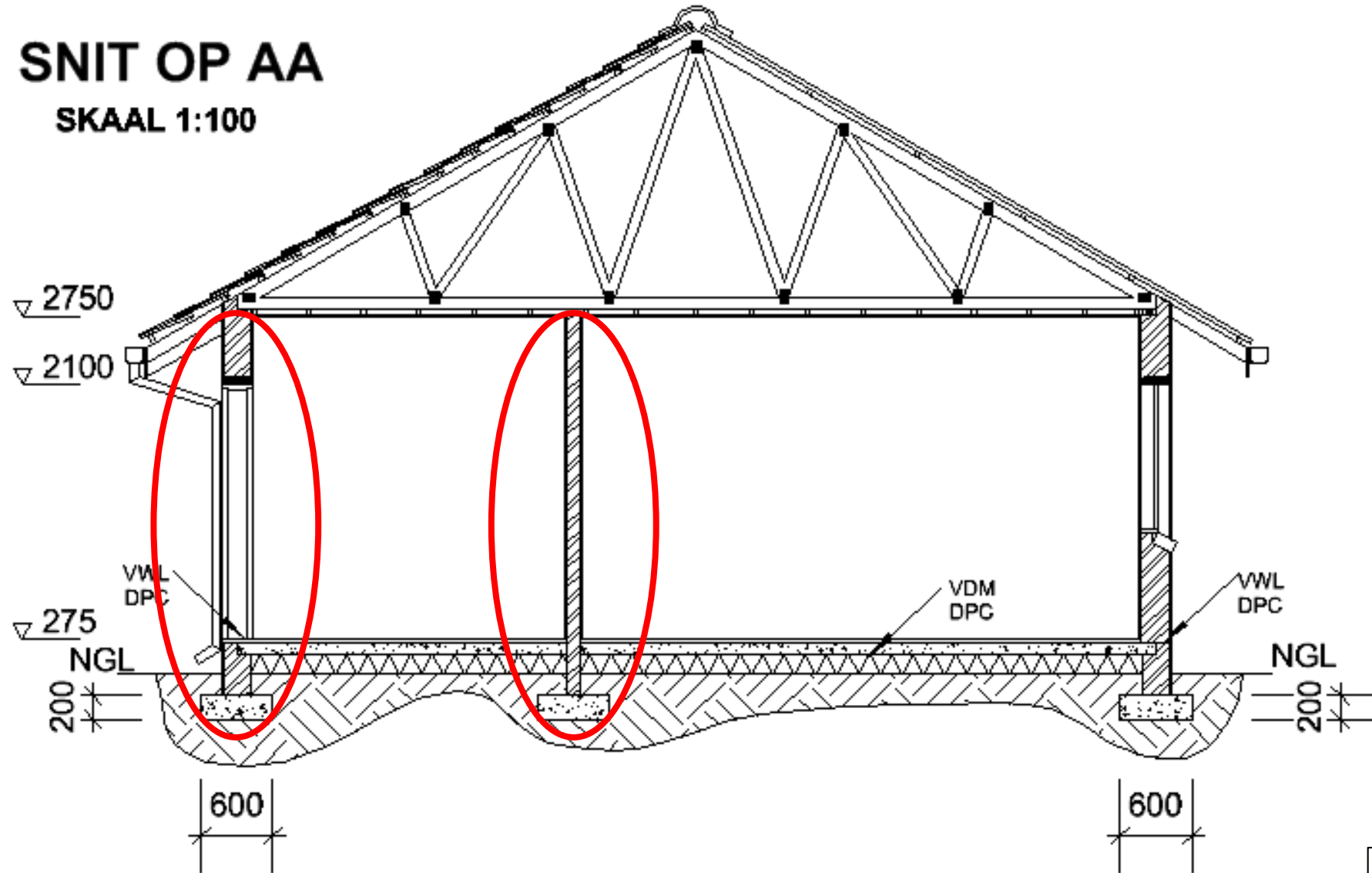


PRESCRIBED CONTENT FOR GRADE 10, 11 & 12

- The sectioned view will be evaluated on the following:

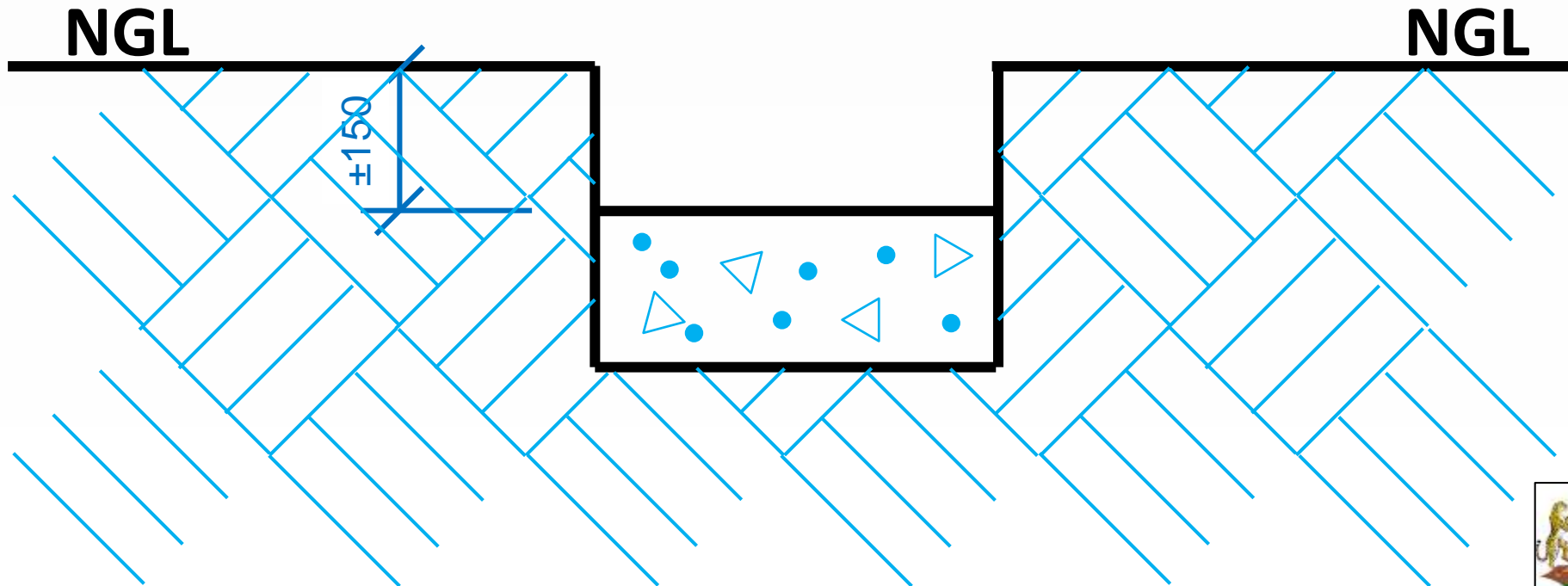
8	Show on a scale of 1:20 the SECTIONED VIEW of:				
8.1	The sectioned area cutting through a door and window	2			
8.2	Dimensions of two different foundations (load-bearing walls and non-load-bearing walls).	2			
8.3	All hatching detail on this drawing.	1			
8.4	Foundation, walls	2			
8.5	All labels, notes and annotations .	1			
8.6	The sectioned according to the indicated cutting plane	1			
8.7	Scale of the drawing	1			
	TOTAL	10			

A SECTIONAL VIEW (Grade 12 level)



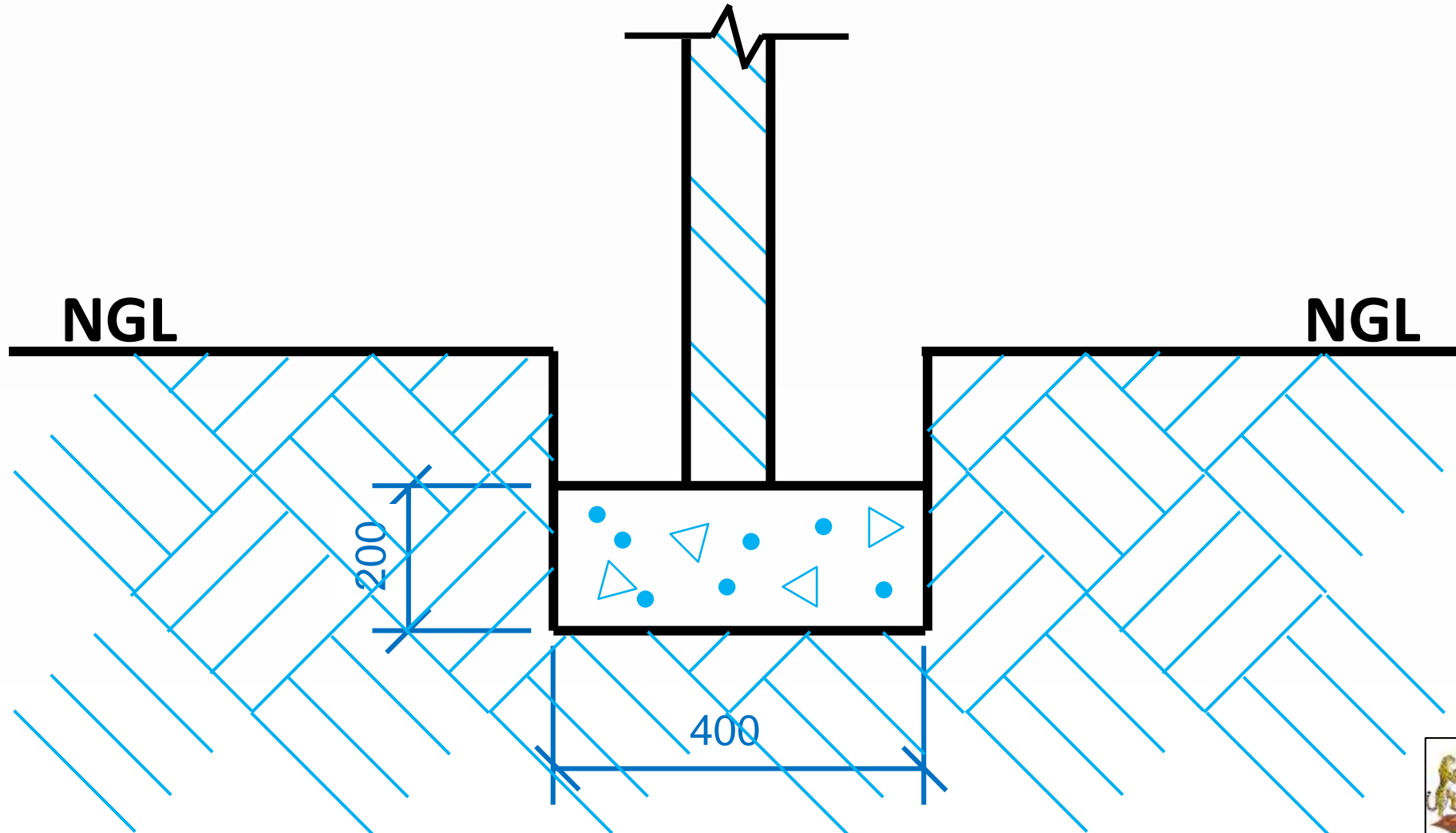
FOUNDATION DEPTH

- **The foundation depth** (normally not less than 150 deep)



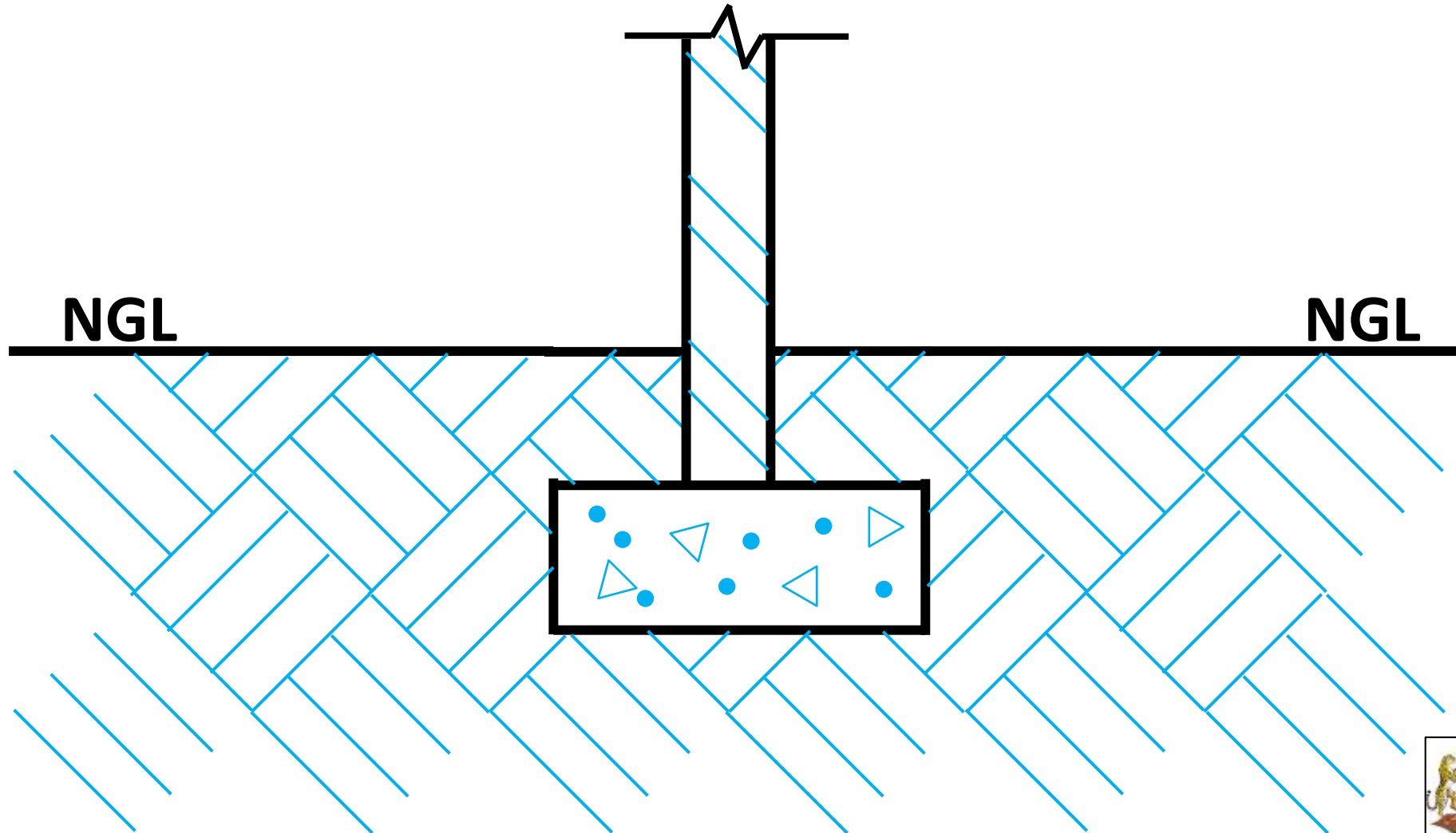
FOUNDATION DIMENSIONS

- Non load bearing walls (200 x 400)



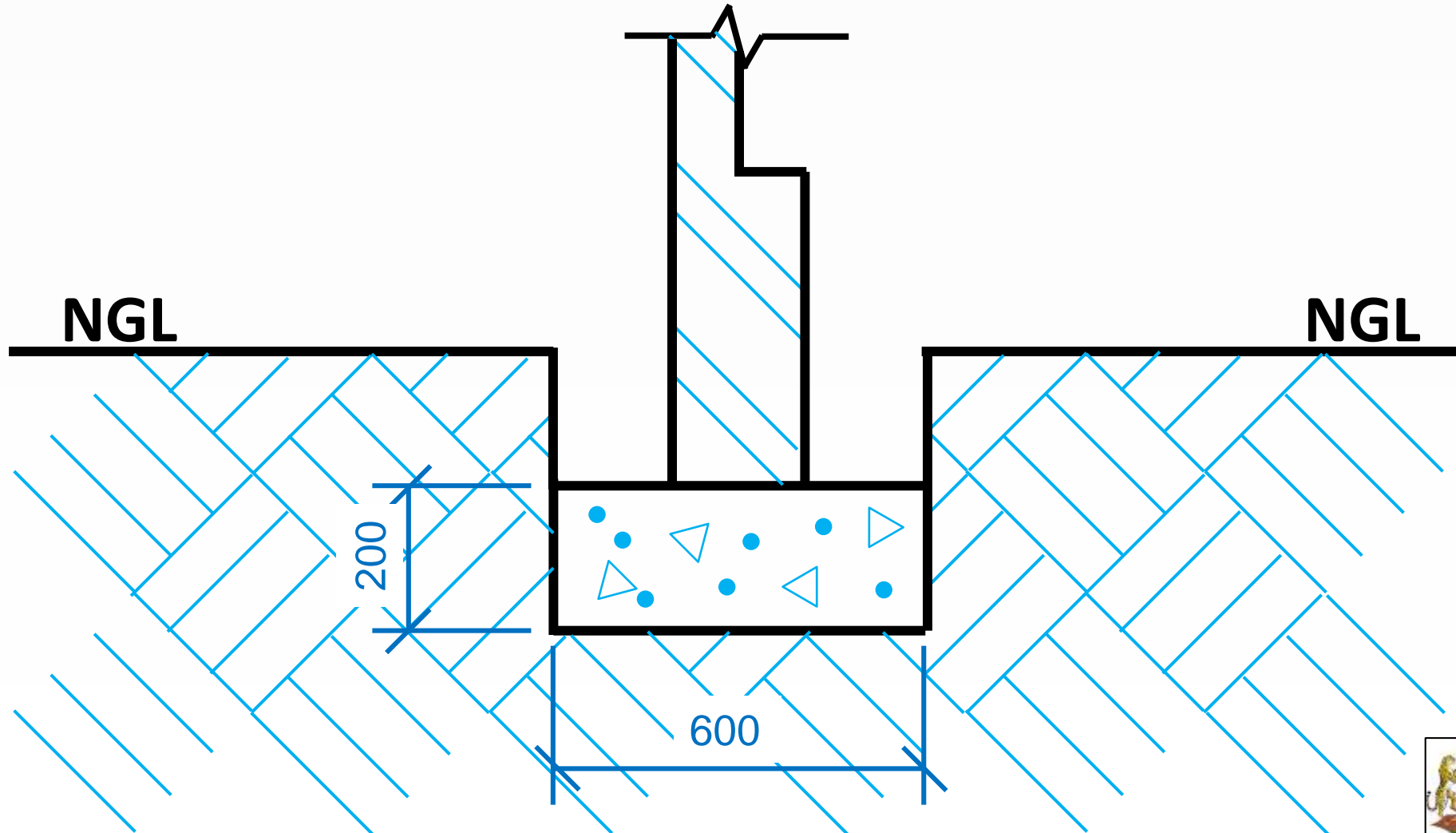
FOUNDATION FILLING

- Non-load bearing walls



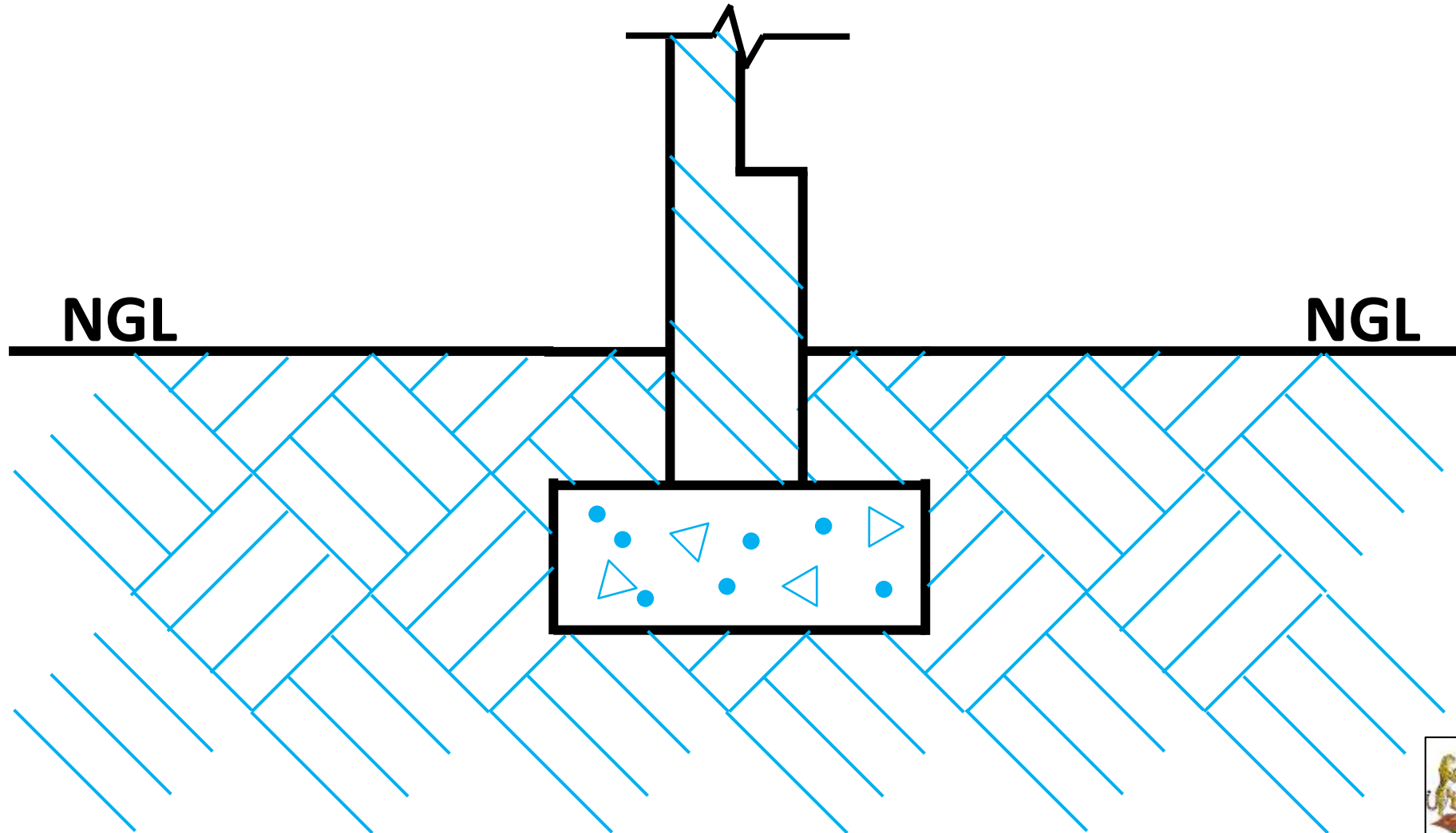
FOUNDATION DIMENSIONS

- Load bearing walls (200 x 600)



FOUNDATION FILLING

- Load bearing walls

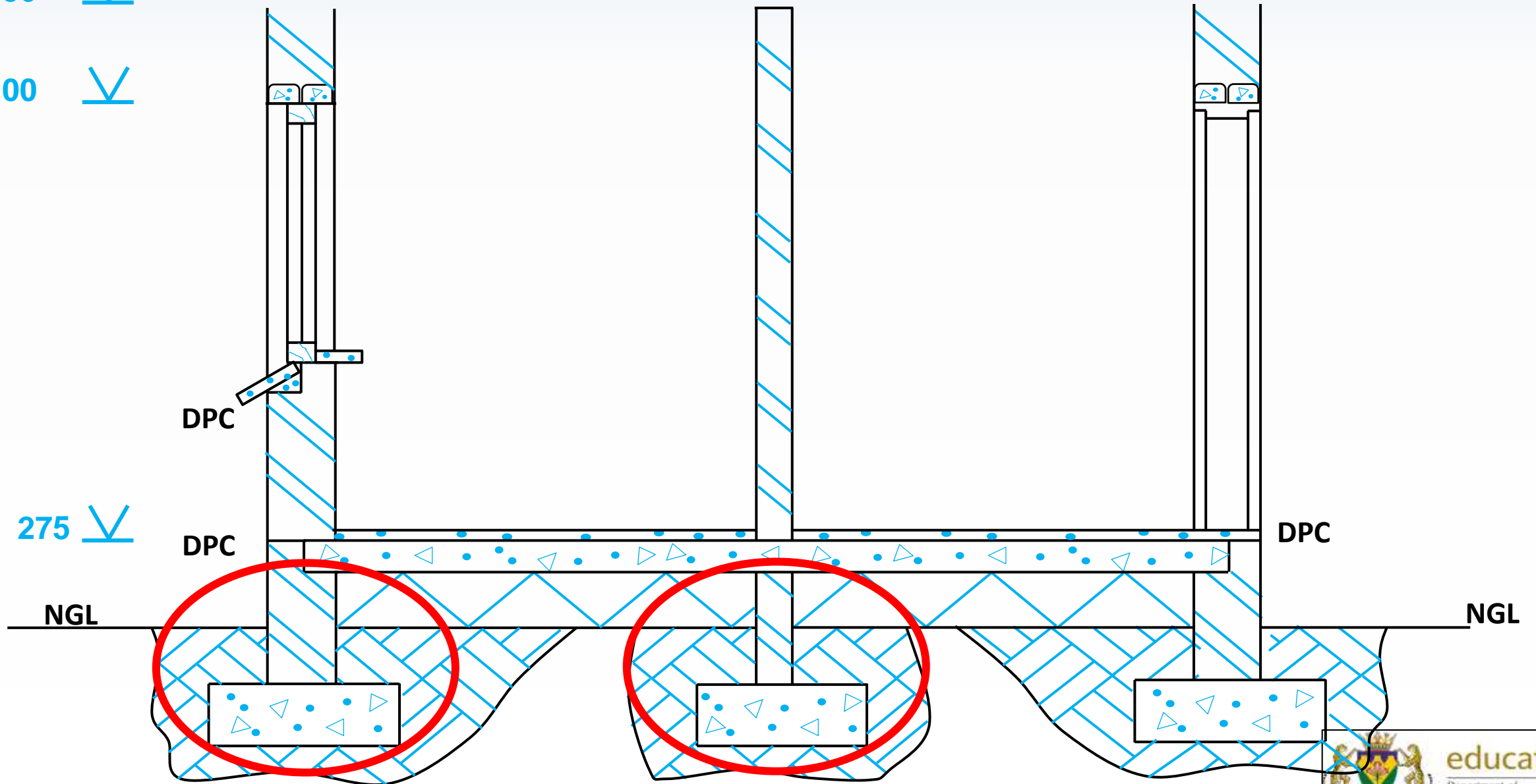


DIMENSIONS

2750 

2100 

275 



PRESCRIBED CONTENT FOR GRADE 10, 11 & 12

- The sectioned view will be evaluated on the following:

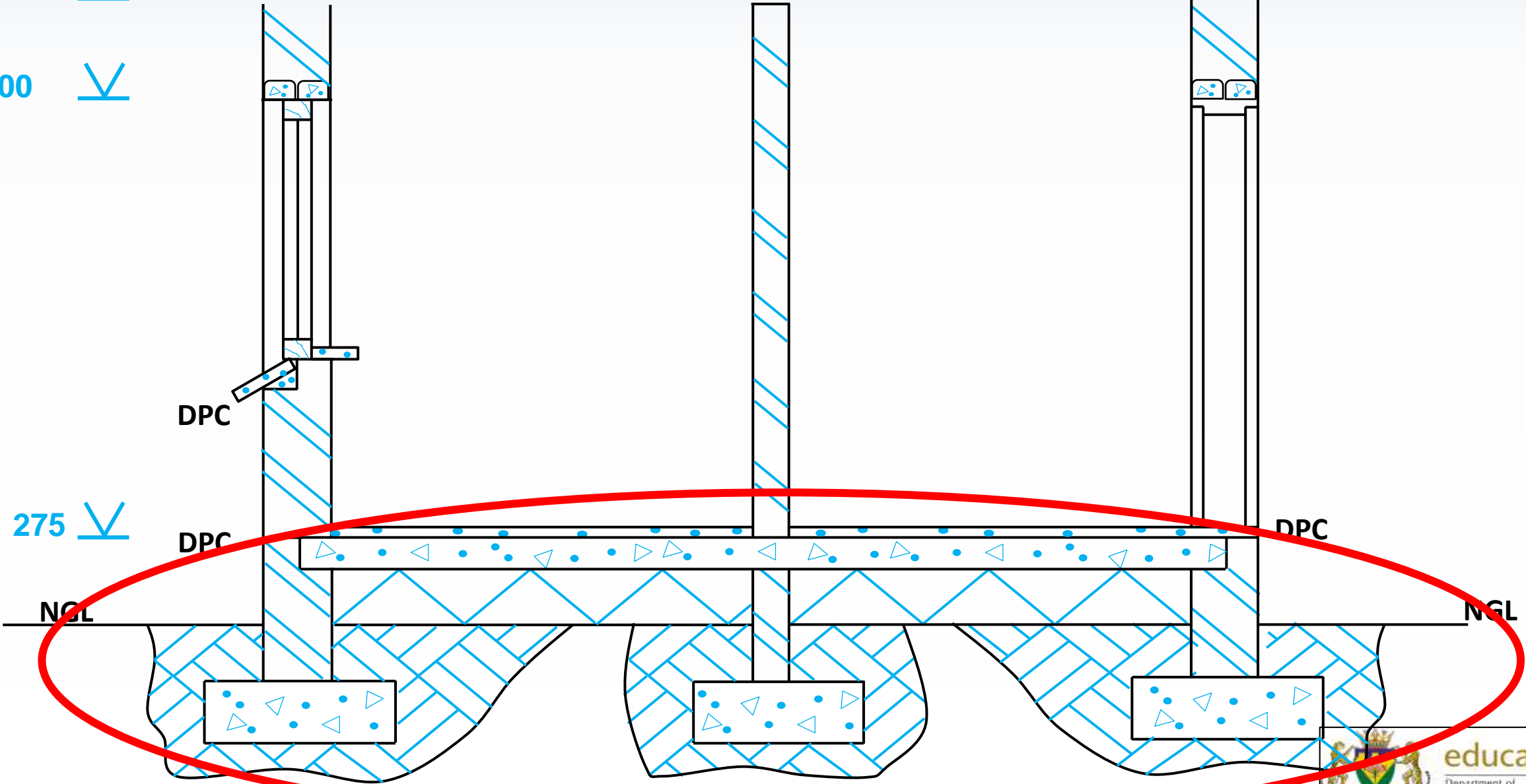
8	Show on a scale of 1:20 the SECTIONED VIEW of:				
8.1	The sectioned area cutting through a door and window .	2			
8.2	Dimensions of two different foundations (load-bearing walls and non-load-bearing walls).	2			
8.3	All hatching detail on this drawing.	1			
8.4	Foundation, walls	2			
8.5	All labels, notes and annotations .	1			
8.6	The sectioned according to the indicated cutting plane	1			
8.7	Scale of the drawing	1			
	TOTAL	10			

HATCHING DETAIL

2750 

2100 

275 

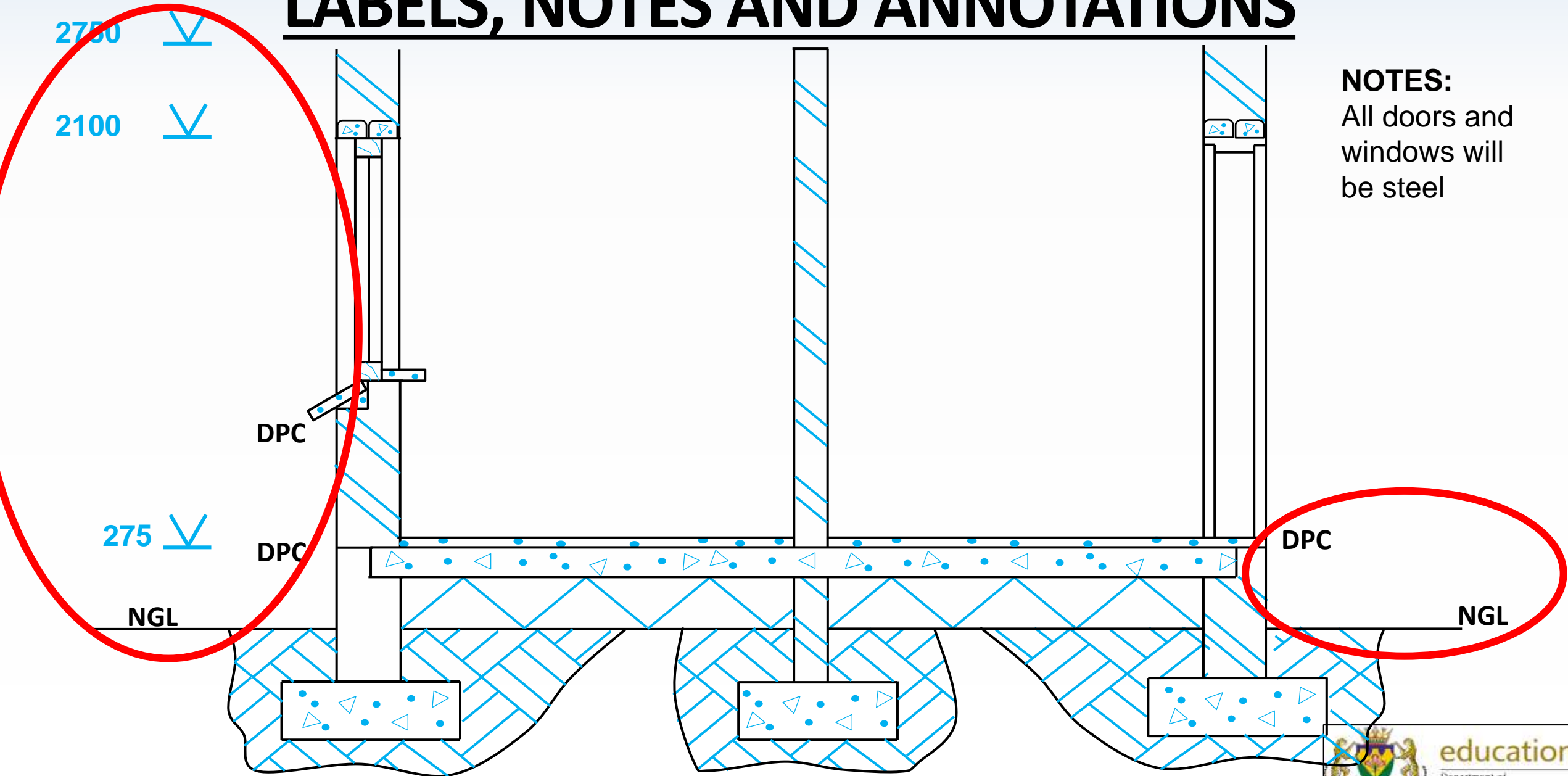


PRESCRIBED CONTENT FOR GRADE 10, 11 & 12

- The sectioned view will be evaluated on the following:

8	Show on a scale of 1:20 the SECTIONED VIEW of:				
8.1	The sectioned area cutting through a door and window .	2			
8.2	Dimensions of two different foundations (load-bearing walls and non-load-bearing walls).	2			
8.3	All hatching detail on this drawing.	1			
8.4	Foundation, walls	2			
8.5	All labels, notes and annotations .	1			
8.6	The sectioned according to the indicated cutting plane	1			
8.7	Scale of the drawing	1			
	TOTAL	10			

LABELS, NOTES AND ANNOTATIONS

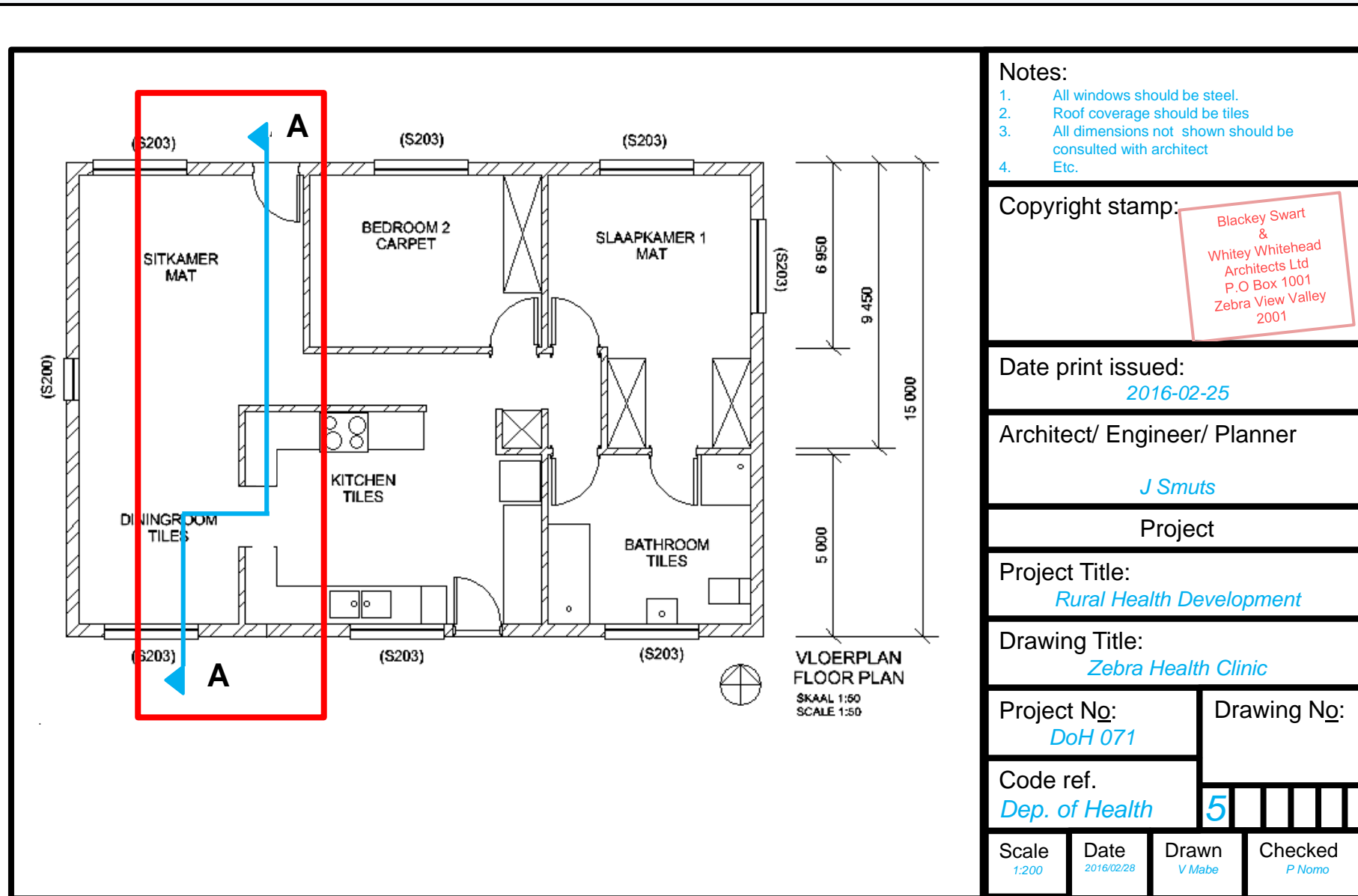


PRESCRIBED CONTENT FOR GRADE 10, 11 & 12

- The sectioned view will be evaluated on the following:

8	Show on a scale of 1:20 the SECTIONED VIEW of:				
8.1	The sectioned area cutting through a door and window .	2			
8.2	Dimensions of two different foundations (load-bearing walls and non-load-bearing walls).	2			
8.3	All hatching detail on this drawing.	1			
8.4	Foundation, walls	2			
8.5	All labels, notes and annotations .	1			
8.6	The sectioned according to the indicated cutting plane	1			
8.7	Scale of the drawing	1			
	TOTAL	10			

CUTTING PLANE THROUGH DOOR AND WINDOW



Notes:

1. All windows should be steel.
2. Roof coverage should be tiles
3. All dimensions not shown should be consulted with architect
4. Etc.

Copyright stamp:

Blackey Swart
&
Whitey Whitehead
Architects Ltd
P.O Box 1001
Zebra View Valley
2001

Date print issued:

2016-02-25

Architect/ Engineer/ Planner

J Smuts

Project

Project Title:

Rural Health Development

Drawing Title:

Zebra Health Clinic

Project No:

DoH 071

Drawing No:

5

Code ref.

Dep. of Health

Scale

1:200

Date

2016/02/28

Drawn

V Mabe

Checked

P Nomo

PRESCRIBED CONTENT FOR GRADE 10, 11 & 12

- The sectioned view will be evaluated on the following:

8	Show on a scale of 1:20 the SECTIONED VIEW of:				
8.1	The sectioned area cutting through a door and window .	2			
8.2	Dimensions of two different foundations (load-bearing walls and non-load-bearing walls).	2			
8.3	All hatching detail on this drawing.	1			
8.4	Foundation, walls	2			
8.5	All labels, notes and annotations .	1			
8.6	The sectioned according to the indicated cutting plane	1			
8.7	Scale of the drawing	1			
	TOTAL	10			

SUITABLE SCALE

SNIT OP AA
SKAAL 1:100

