A dark grey arrow points to the right from the top left corner. Several thin, light blue lines curve downwards from the left side of the page.

Grade 11 CIVIL PAT (Two-Point-Perspective Drawings)

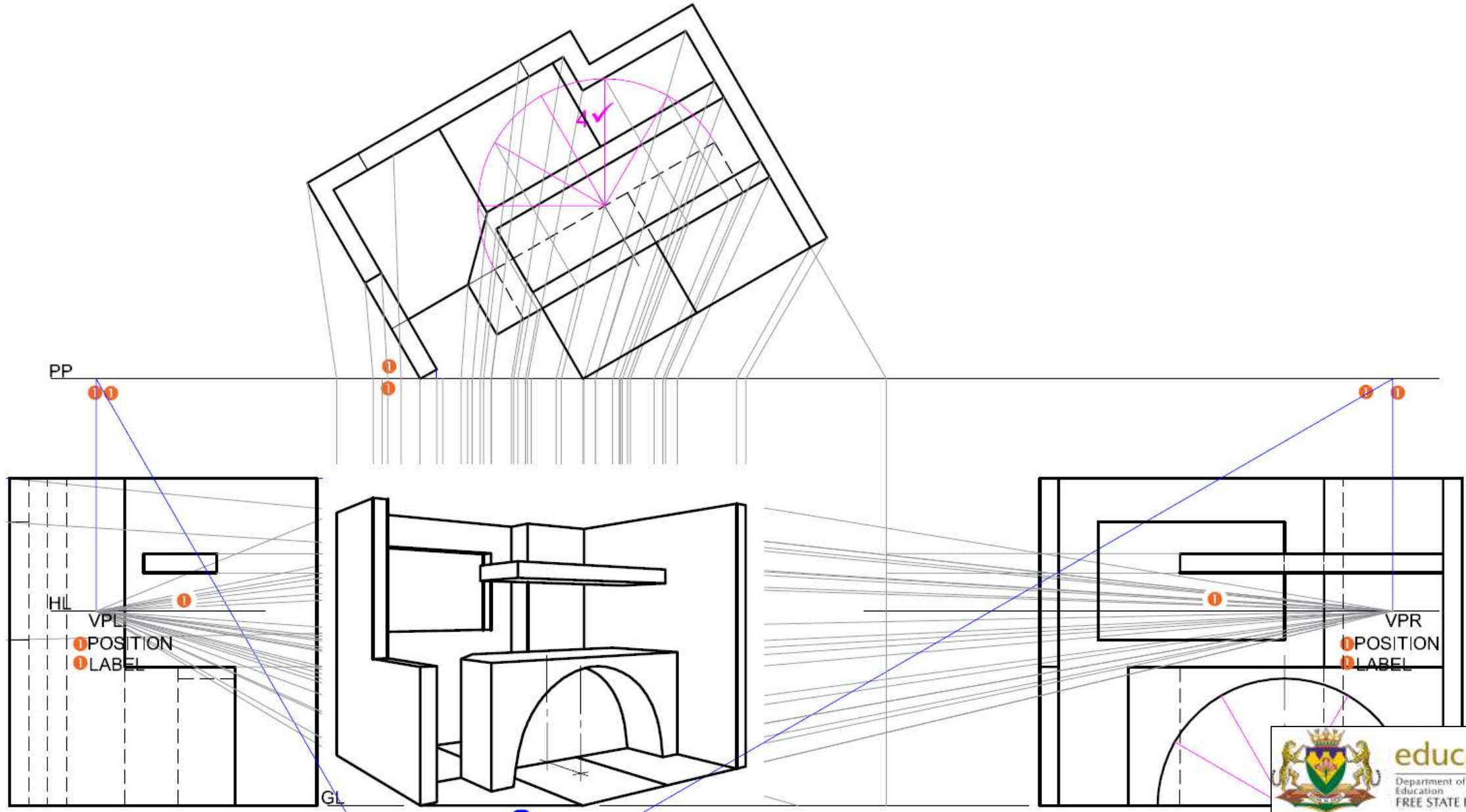
Developed by: PC Viljoen
Senior Educational Specialist for
Engineering Graphics and Design
Free State Province

PRESCRIBED CONTENT FOR GRADE 10, 11 & 12

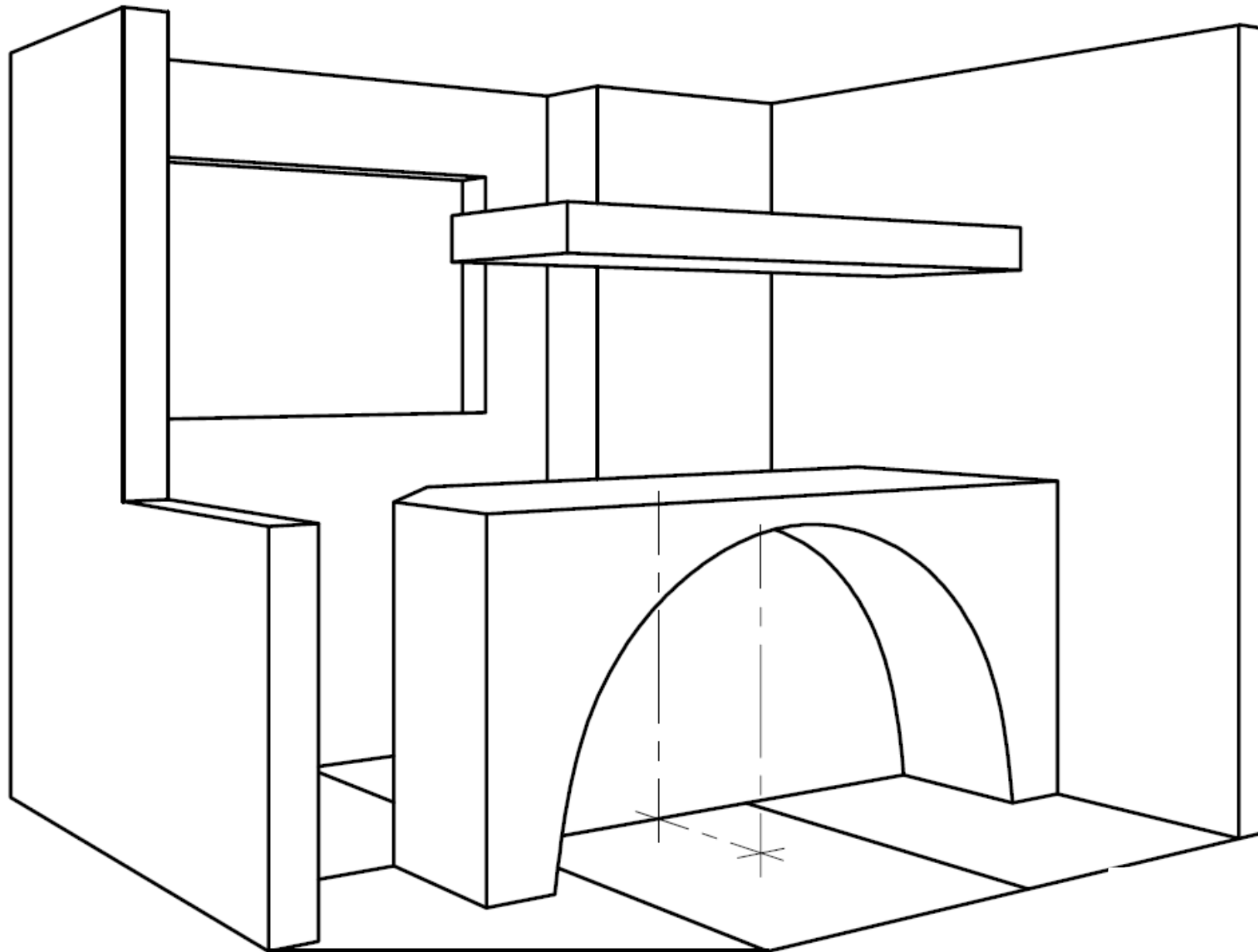
➔ The floor plan will be evaluated on the following:

9	Draw a human eye height of 1.8m, 2-POINT-PERSPECTIVE DRAWING of the interior kitchen of your designed house.				
9.1	Evidence of the <u>LVP</u> & RVP , determined correct.	1			
9.2	All construction, principle and methods used correct.	1			
9.3	Correct orientation of the views.	2			
9.4	Correct scale used to draw the 2-point-perspective drawing.	1			
9.5	2-point-perspective answer correct.	5			
	TOTAL	10			

2-Point-Perspective Drawing



2-Point-Perspective Drawing



education

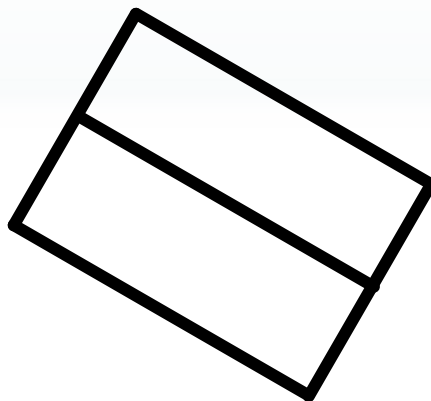
Department of
Education
FREE STATE PROVINCE

PRESCRIBED CONTENT FOR GRADE 10, 11 & 12

➤ The floor plan will be evaluated on the following:

9	Draw a human eye height of 1.8m, 2-POINT-PERSPECTIVE DRAWING of the interior kitchen of your designed house.				
9.1	Evidence of the <u>LVP</u> & RVP , determined correct.	1			
9.2	All construction, principle and methods used correct.	1			
9.3	Correct orientation of the views.	2			
9.4	Correct scale used to draw the 2-point-perspective drawing.	1			
9.5	2-point-perspective answer correct.	5			
	TOTAL	10			

2-Point-Perspective Drawing



PP

PP

HL

HL

GL

GL



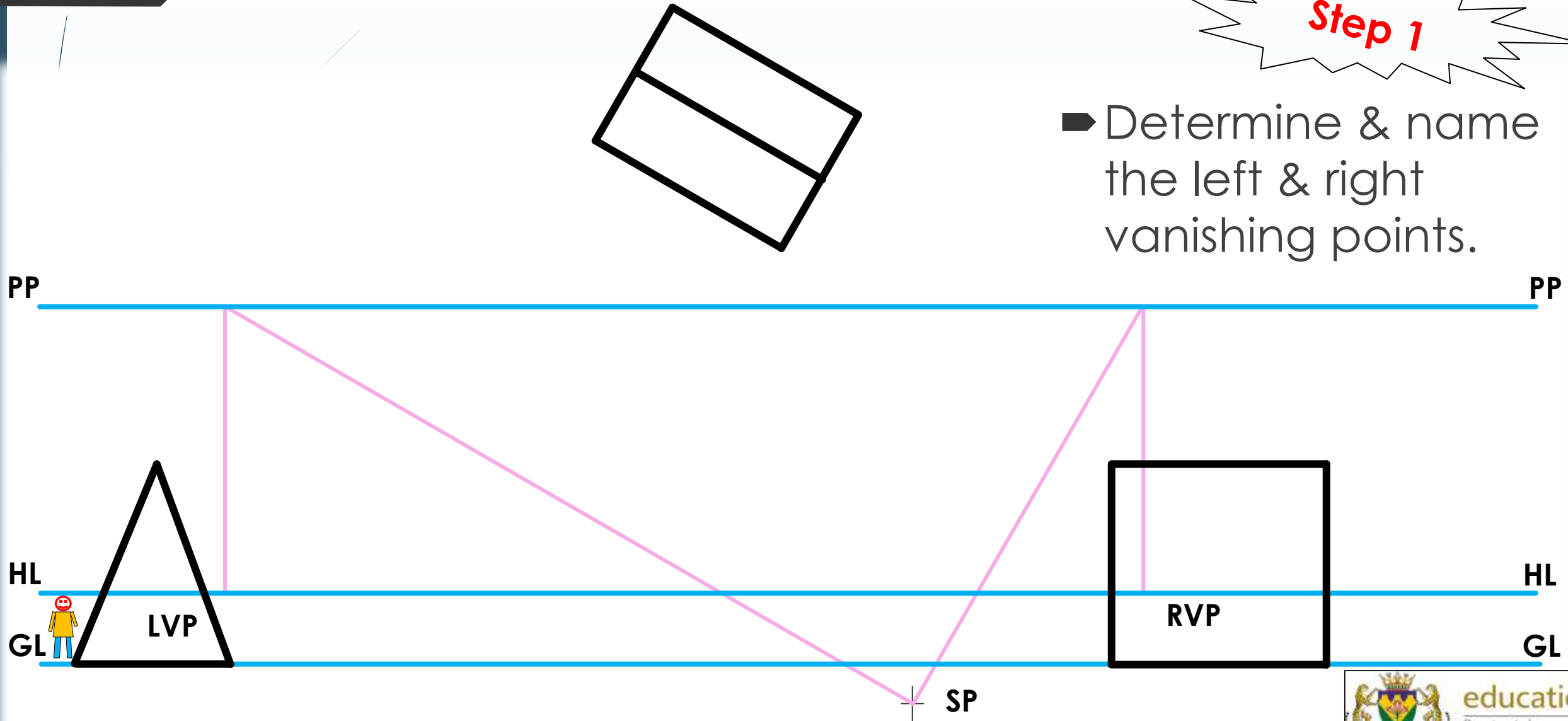
+ SP



2-Point-Perspective Drawing

Step 1

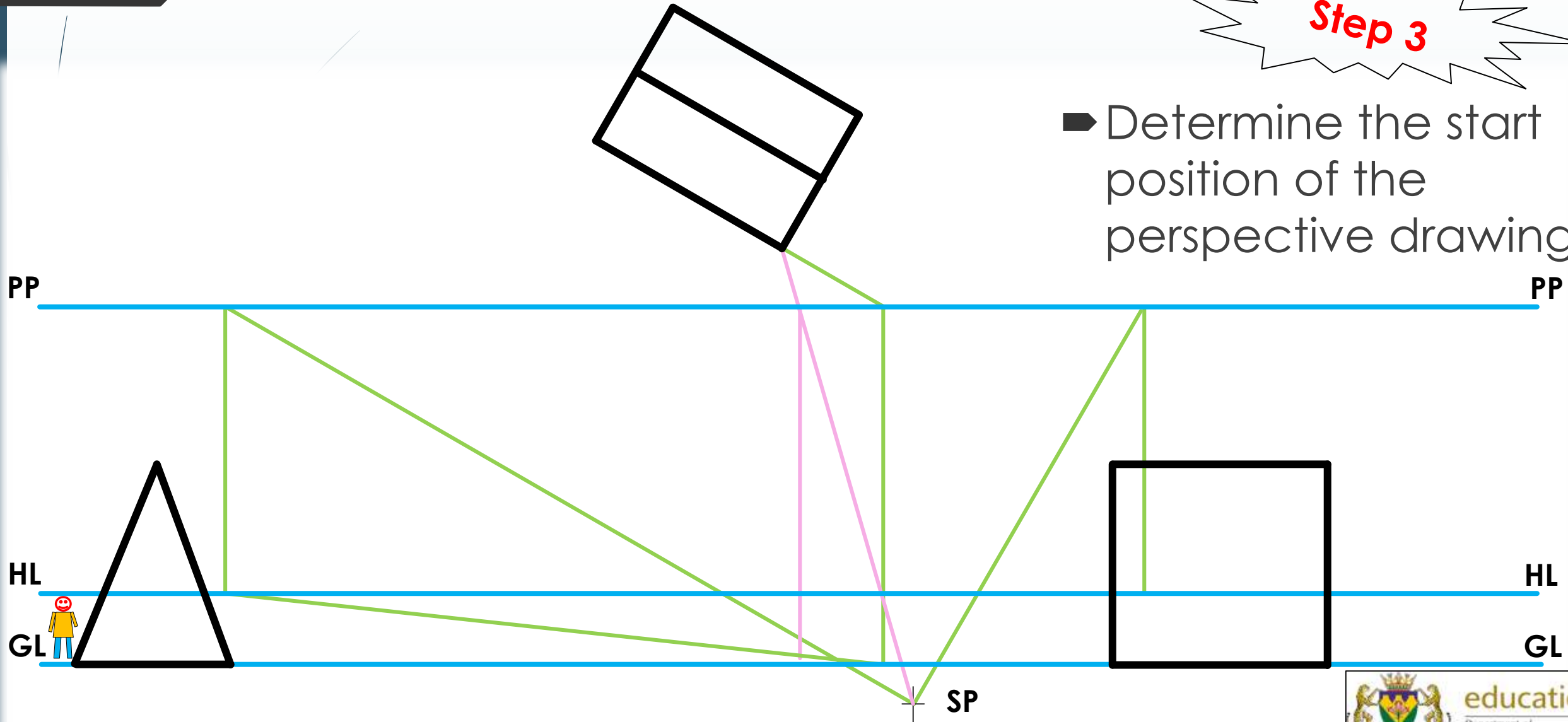
- Determine & name the left & right vanishing points.



2-Point-Perspective Drawing

Step 3

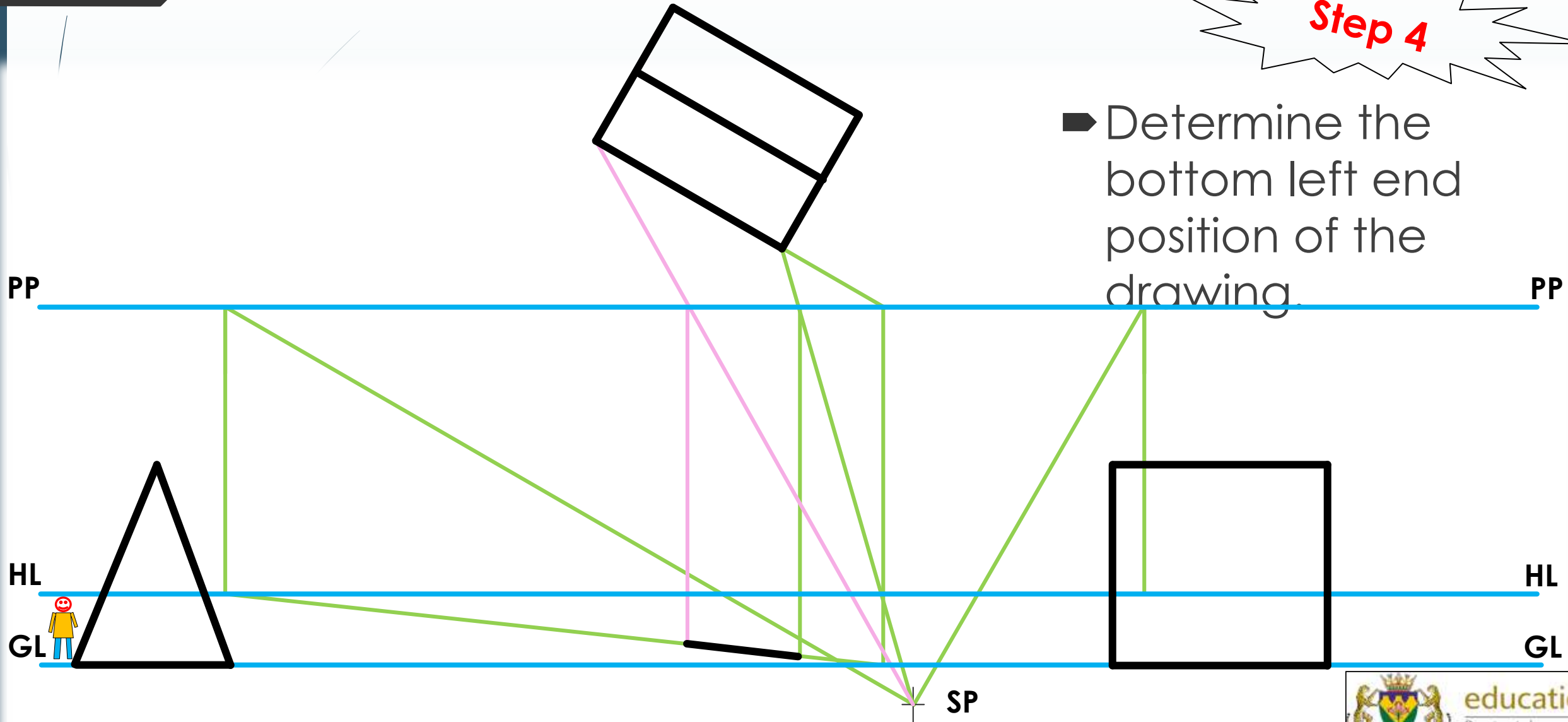
- Determine the start position of the perspective drawing



2-Point-Perspective Drawing

Step 4

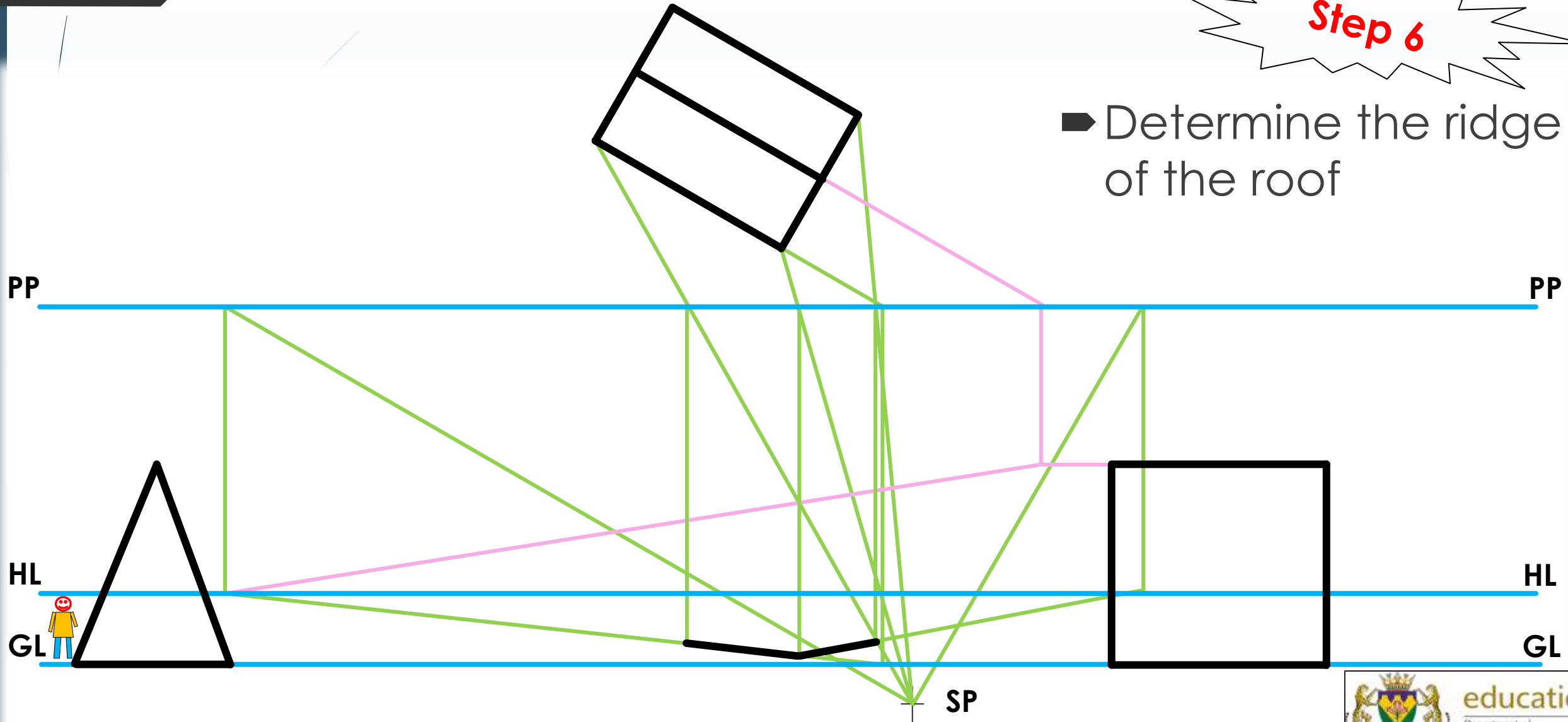
- Determine the bottom left end position of the drawing.



2-Point-Perspective Drawing

Step 6

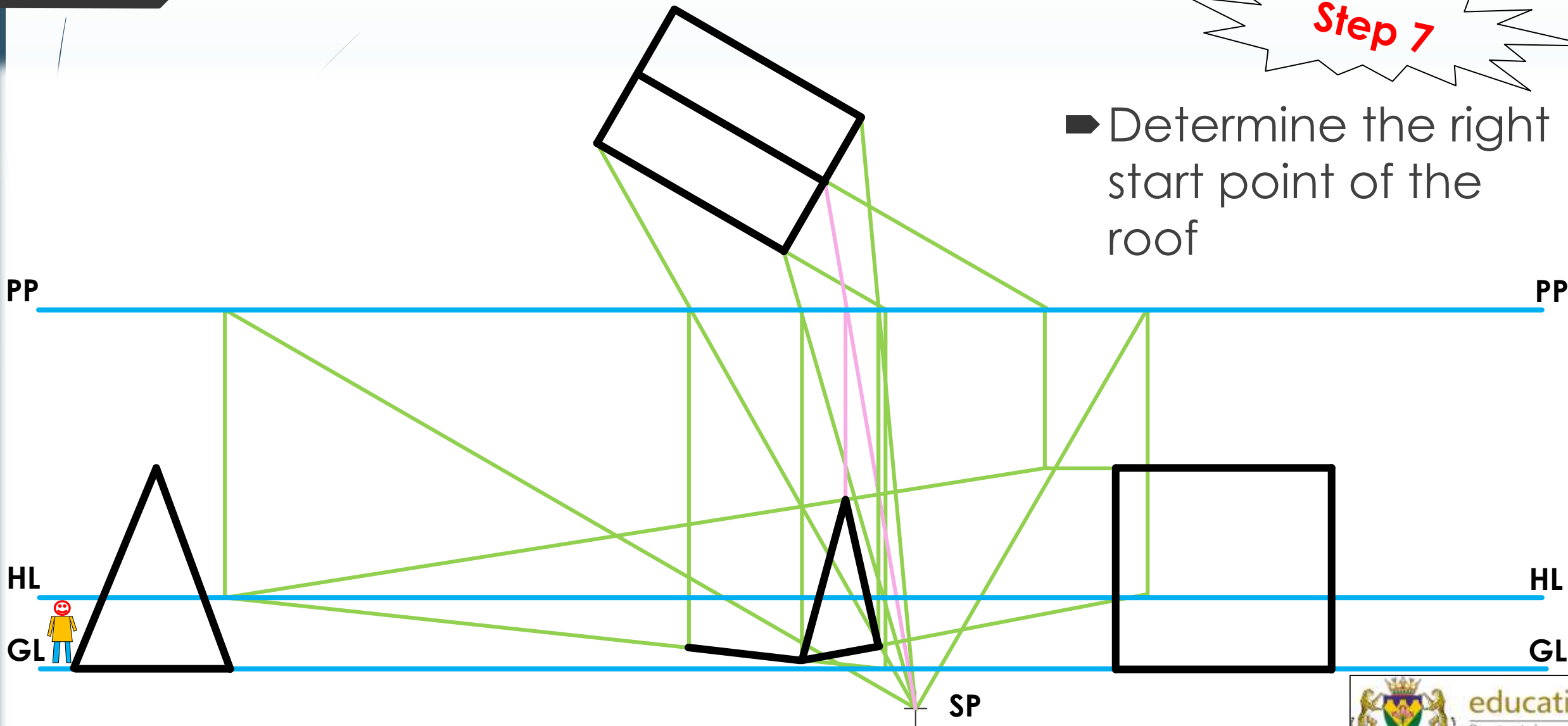
➡ Determine the ridge of the roof



2-Point-Perspective Drawing

Step 7

➡ Determine the right start point of the roof



2-Point-Perspective Drawing

Step 8

➡ Determine the left end point of the roof

