



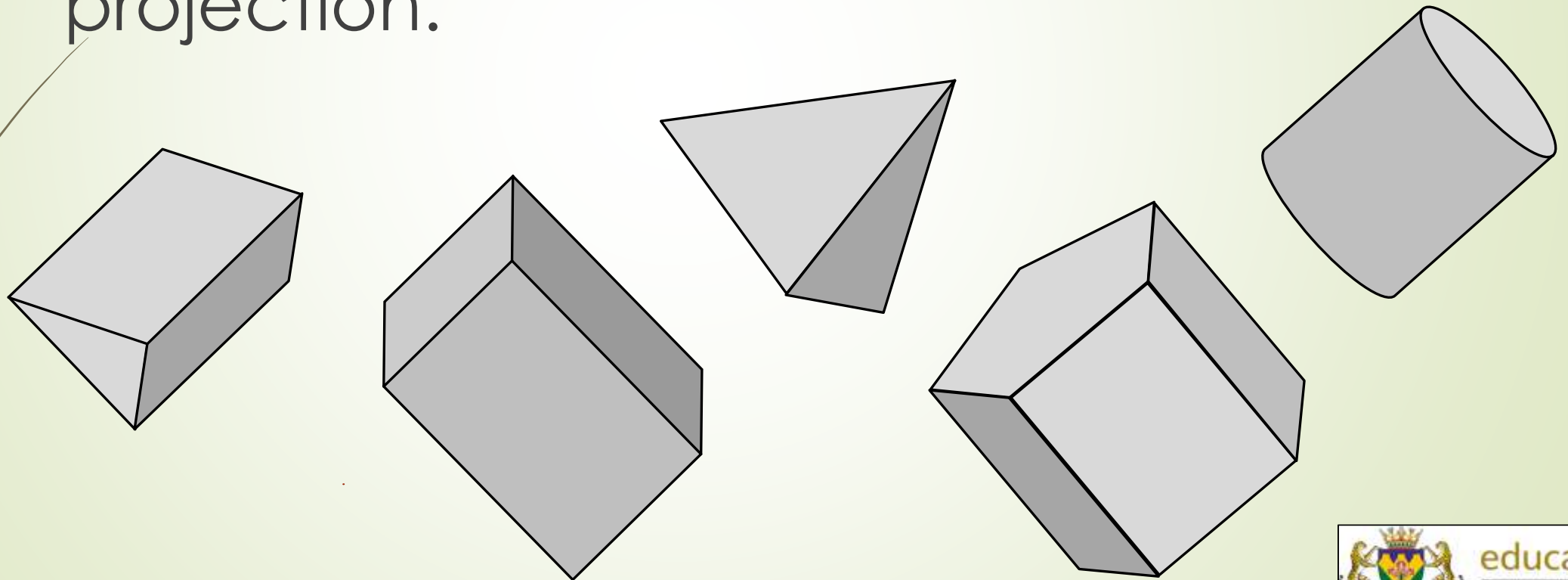
Application on polygons Inclined Axis (Pyramids, Prisms)

Grade 10, 11 & 12

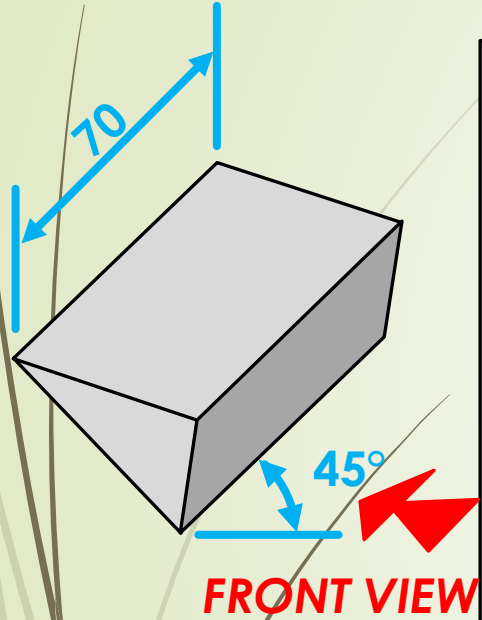
Developed by: PC Viljoen
Senior Educational Specialist for
Engineering Graphics and Design
Free State Province

Application on pyramids, prisms, cones and cylinders

- ➔ Draw inclined pyramids, prisms, cones and cylinders in first angle orthographic projection.



Application on pyramids and prisms



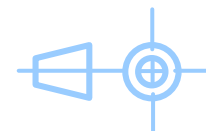
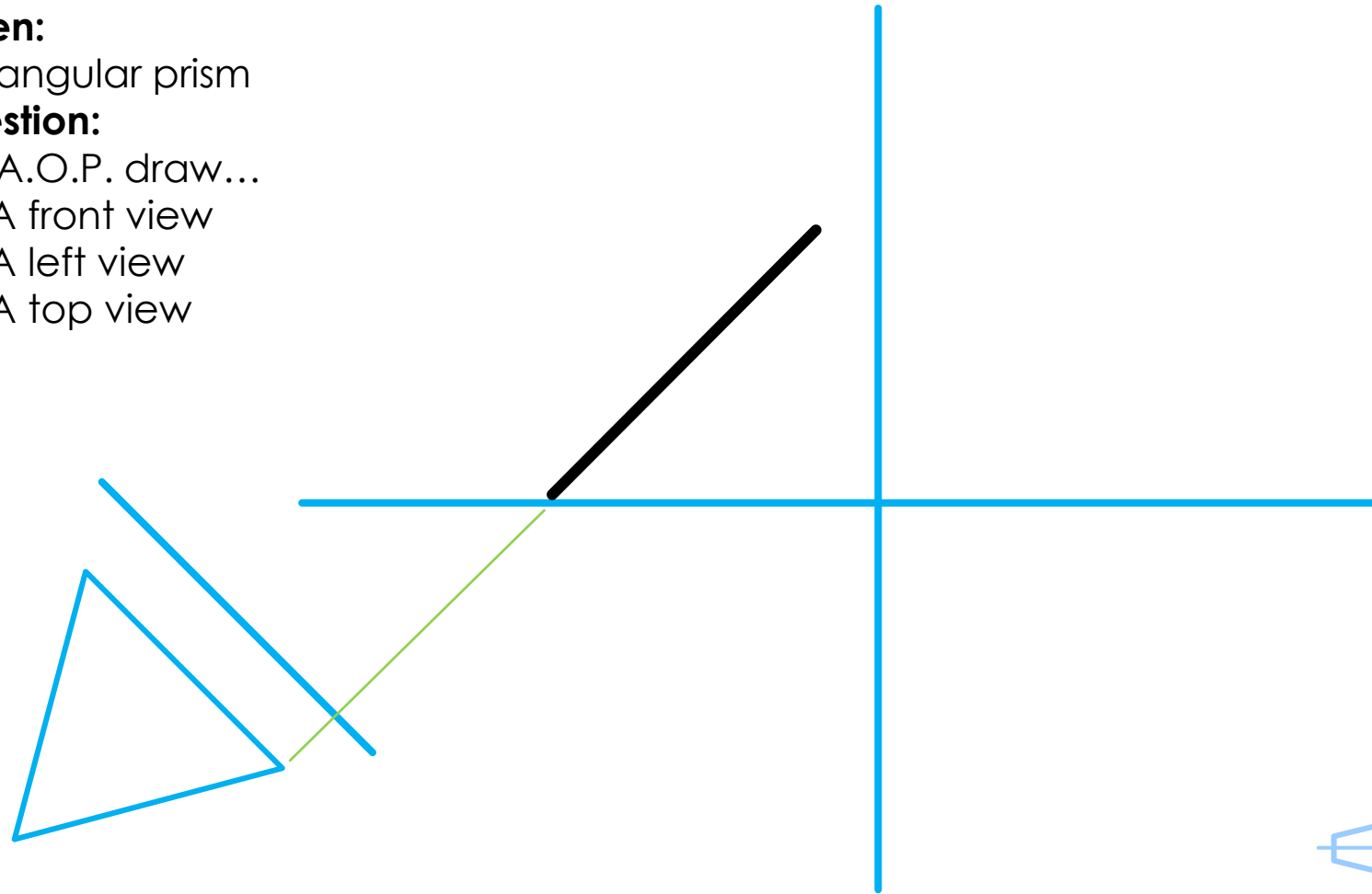
Given:

A triangular prism

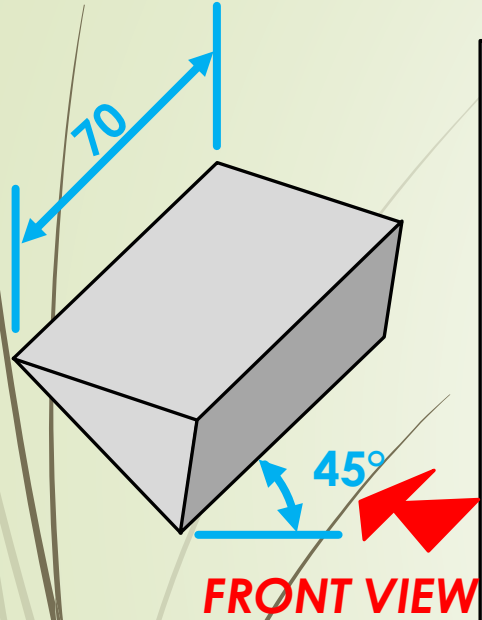
Question:

In F.A.O.P. draw...

1. A front view
2. A left view
3. A top view



Application on pyramids and prisms



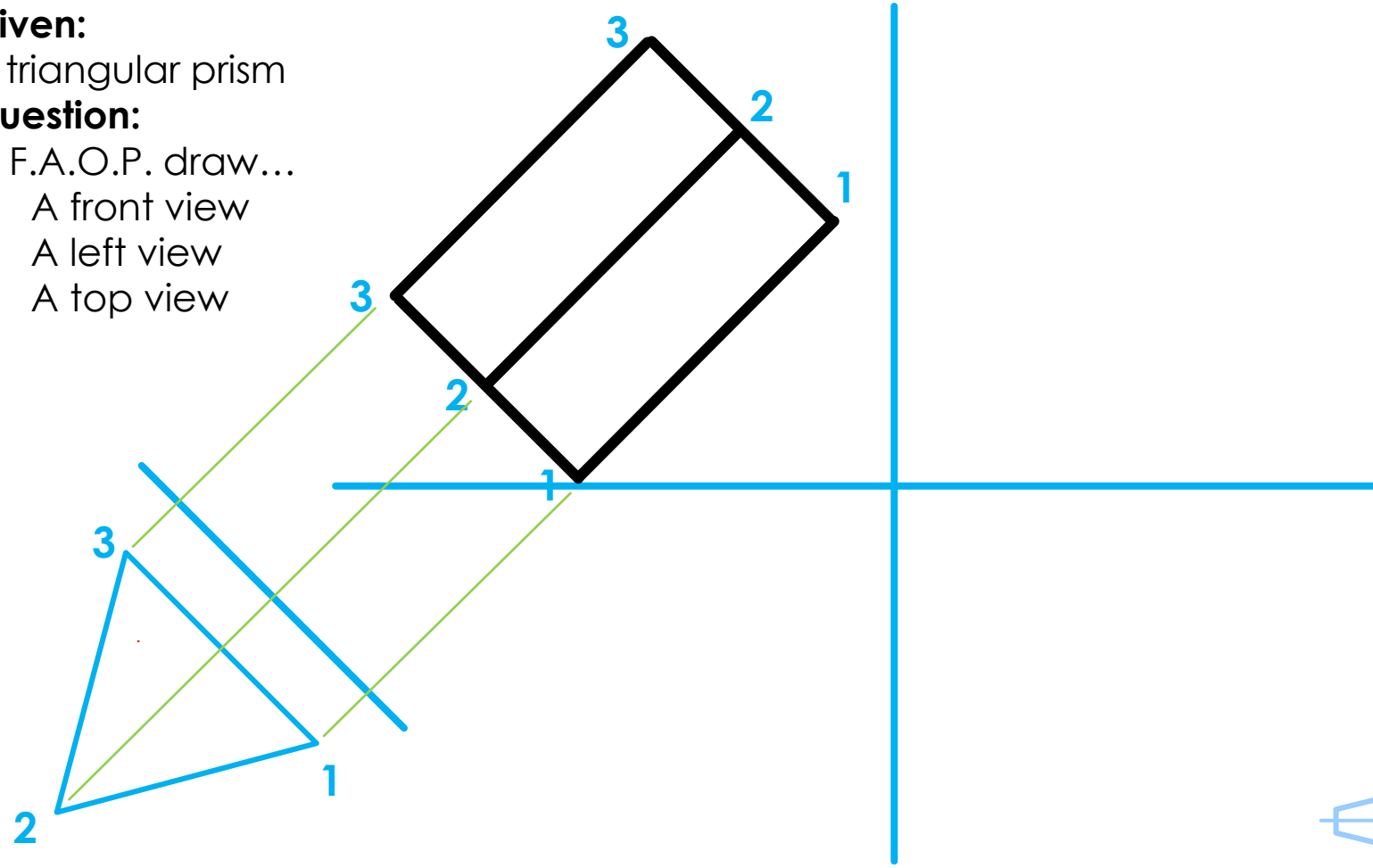
Given:

A triangular prism

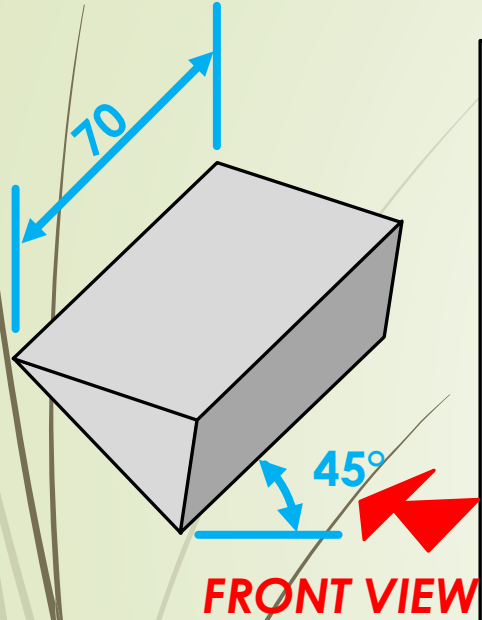
Question:

In F.A.O.P. draw...

1. A front view
2. A left view
3. A top view



Application on pyramids and prisms



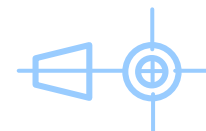
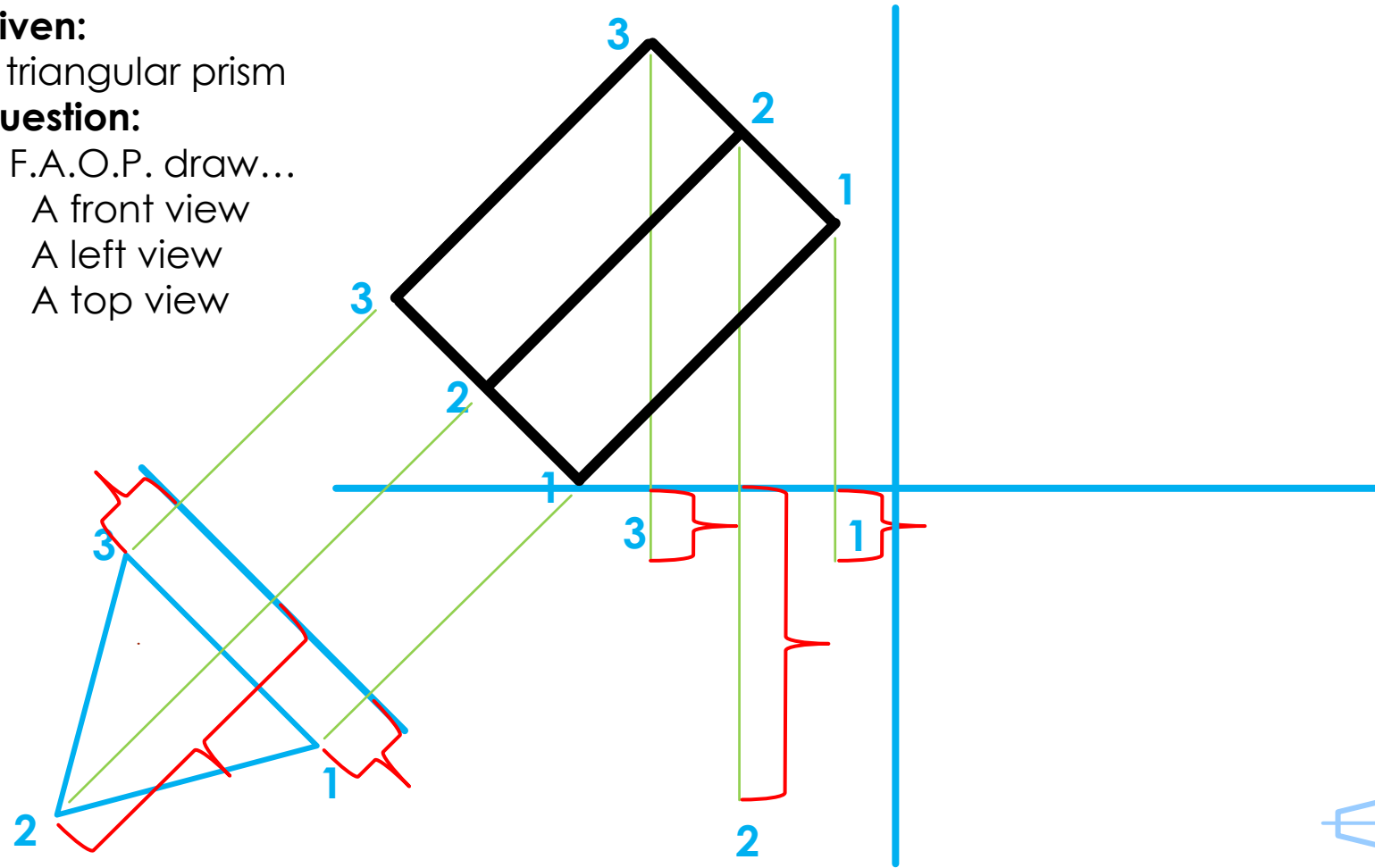
Given:

A triangular prism

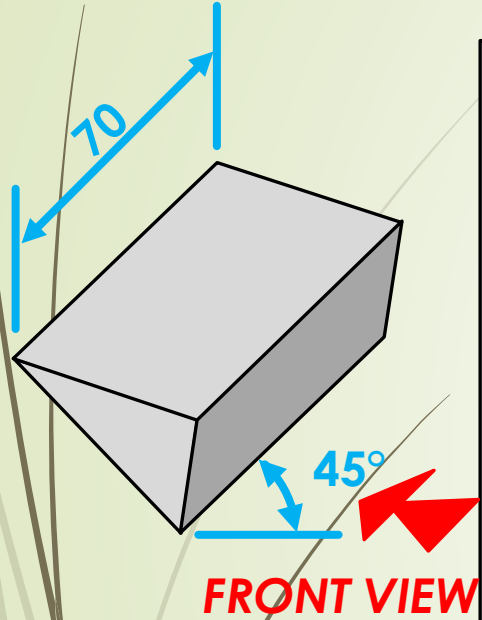
Question:

In F.A.O.P. draw...

1. A front view
2. A left view
3. A top view



Application on pyramids and prisms



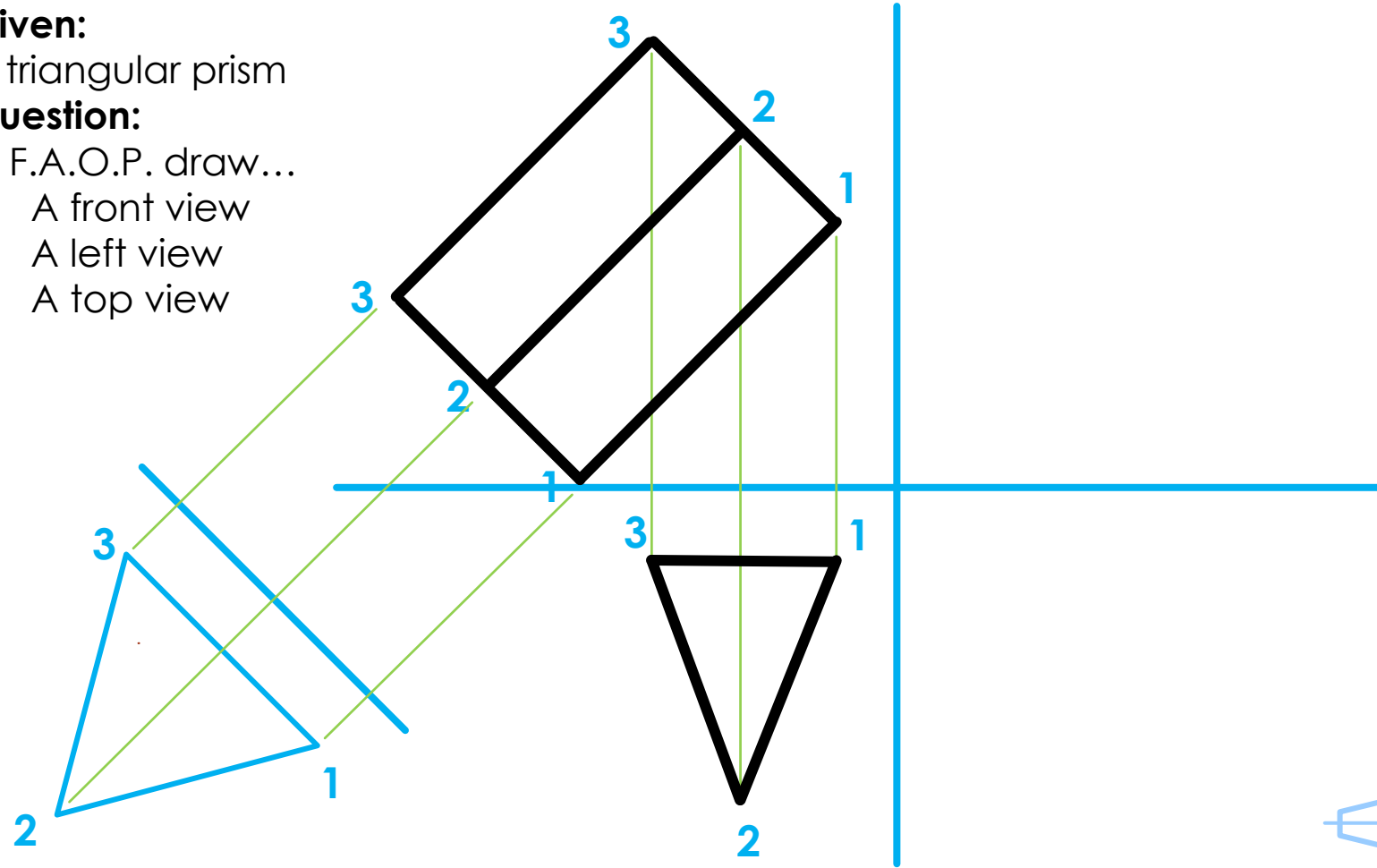
Given:

A triangular prism

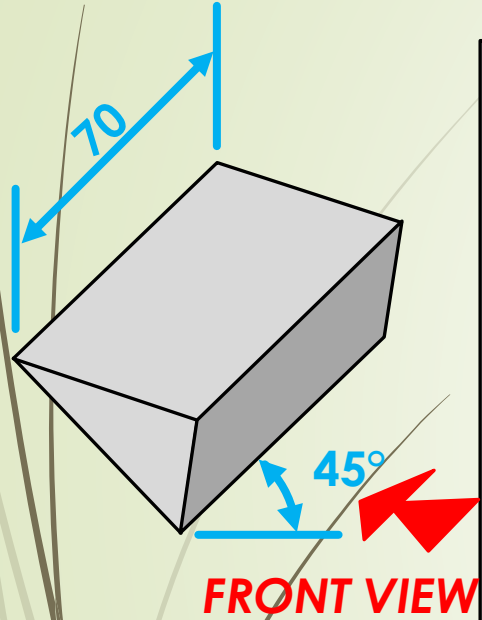
Question:

In F.A.O.P. draw...

1. A front view
2. A left view
3. A top view



Application on pyramids and prisms



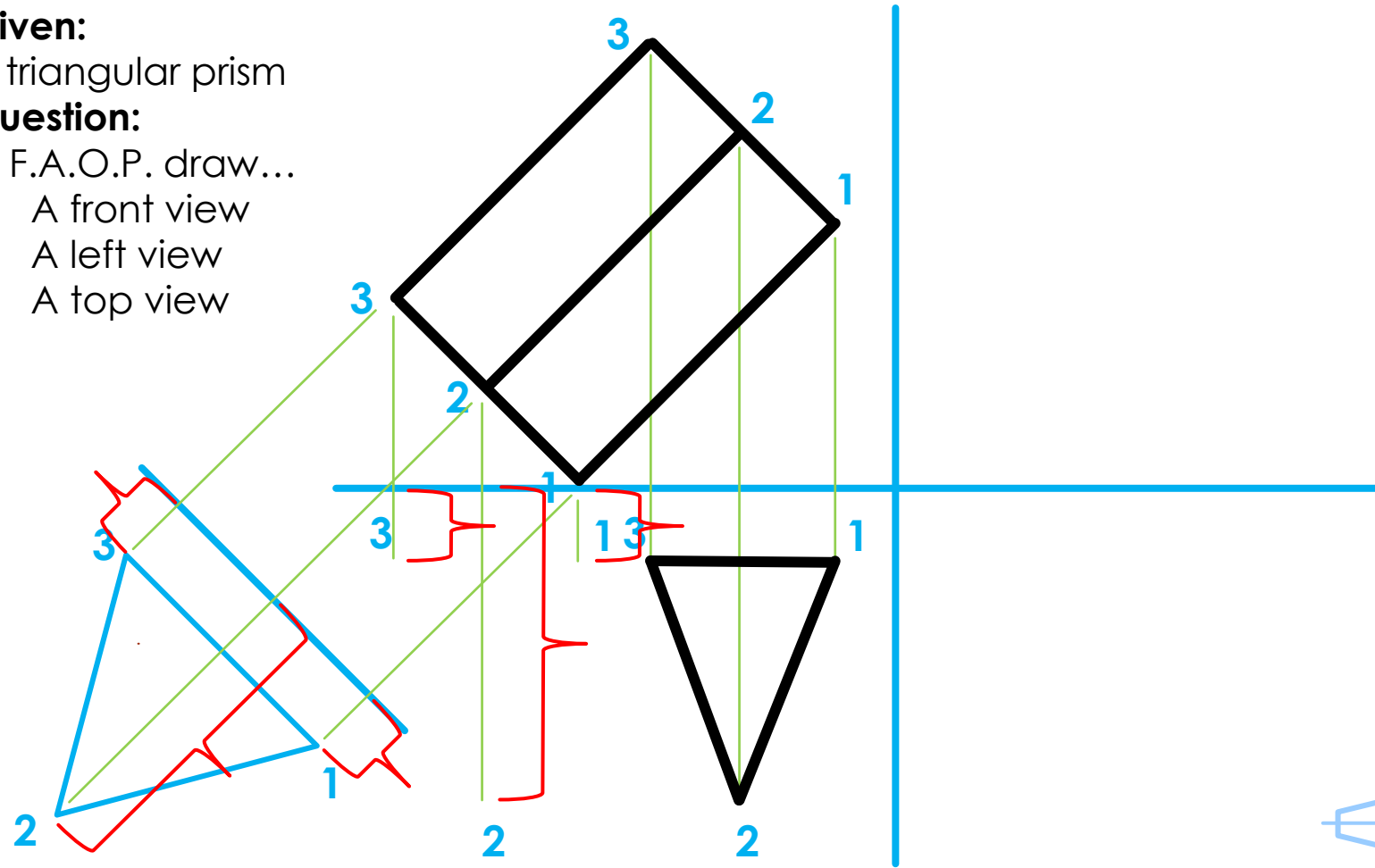
Given:

A triangular prism

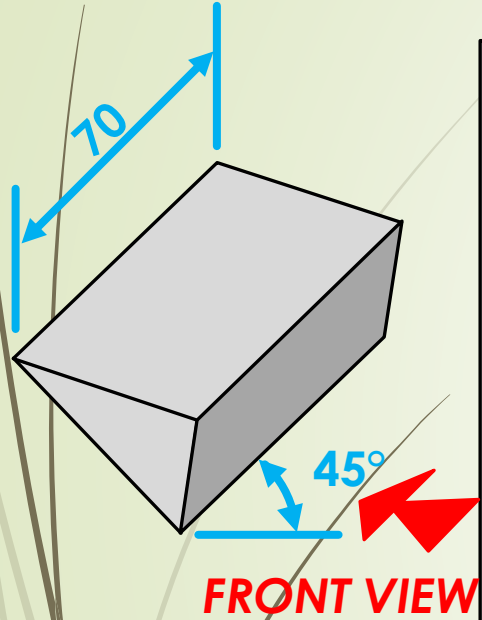
Question:

In F.A.O.P. draw...

1. A front view
2. A left view
3. A top view



Application on pyramids and prisms



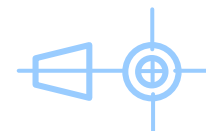
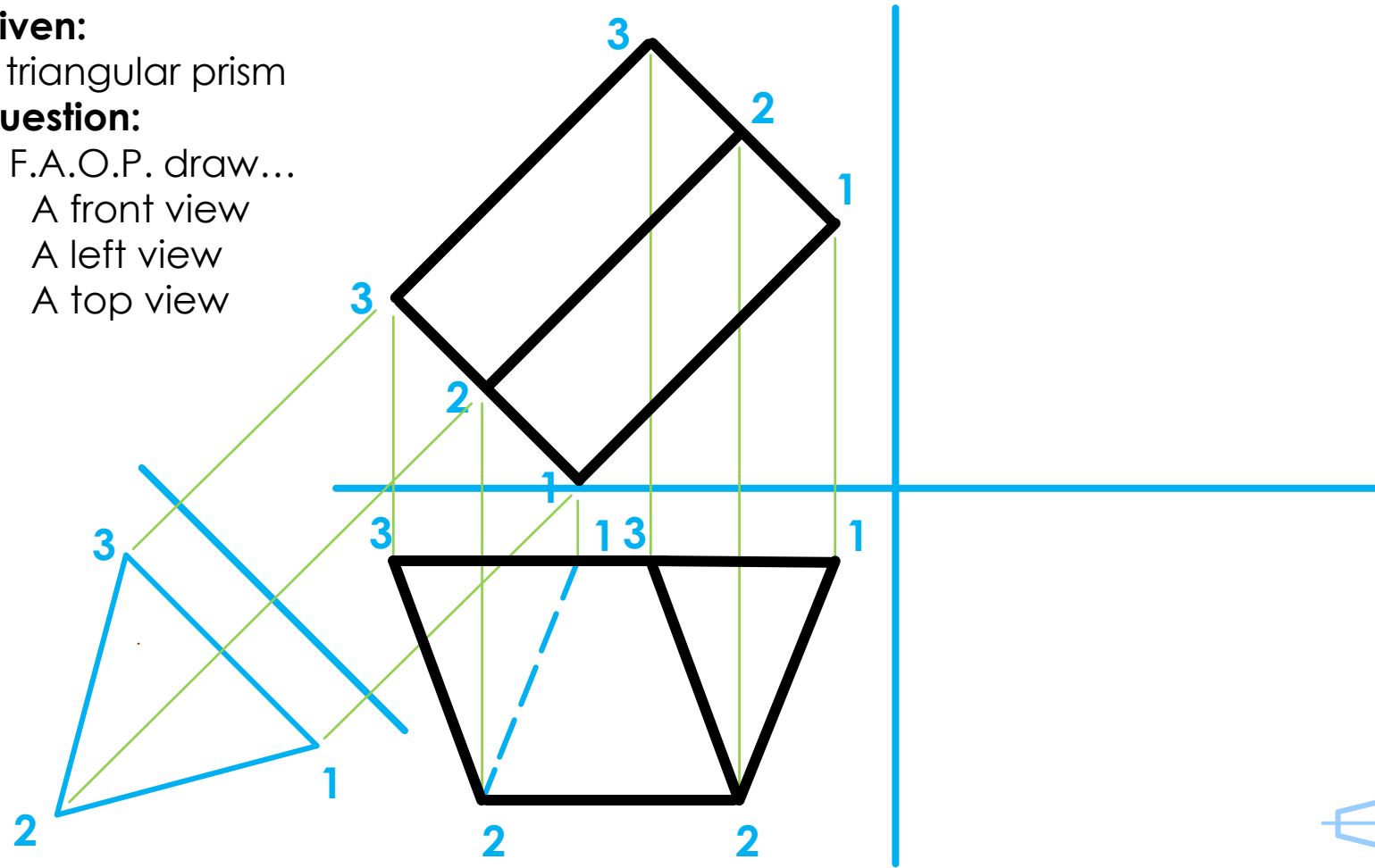
Given:

A triangular prism

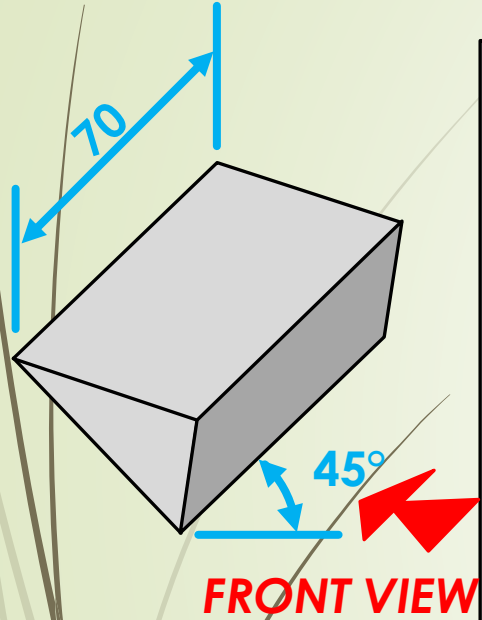
Question:

In F.A.O.P. draw...

1. A front view
2. A left view
3. A top view



Application on pyramids and prisms



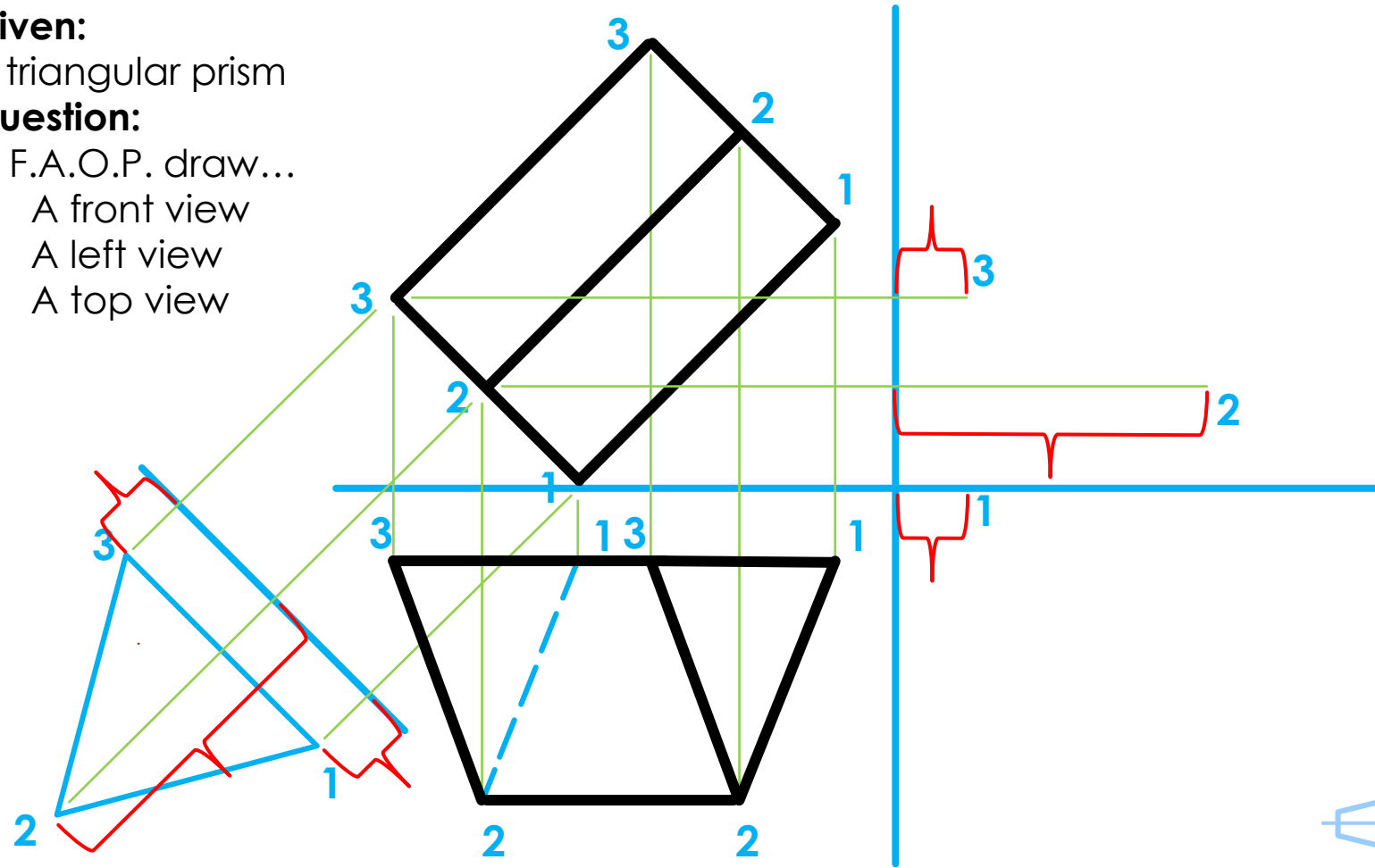
Given:

A triangular prism

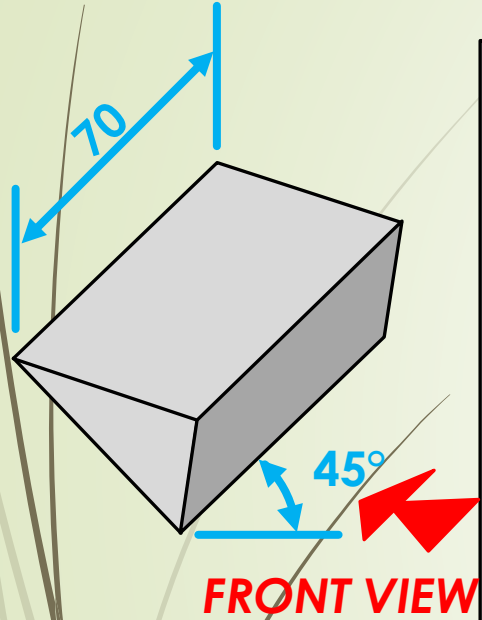
Question:

In F.A.O.P. draw...

1. A front view
2. A left view
3. A top view



Application on pyramids and prisms



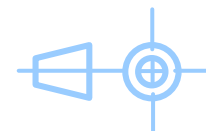
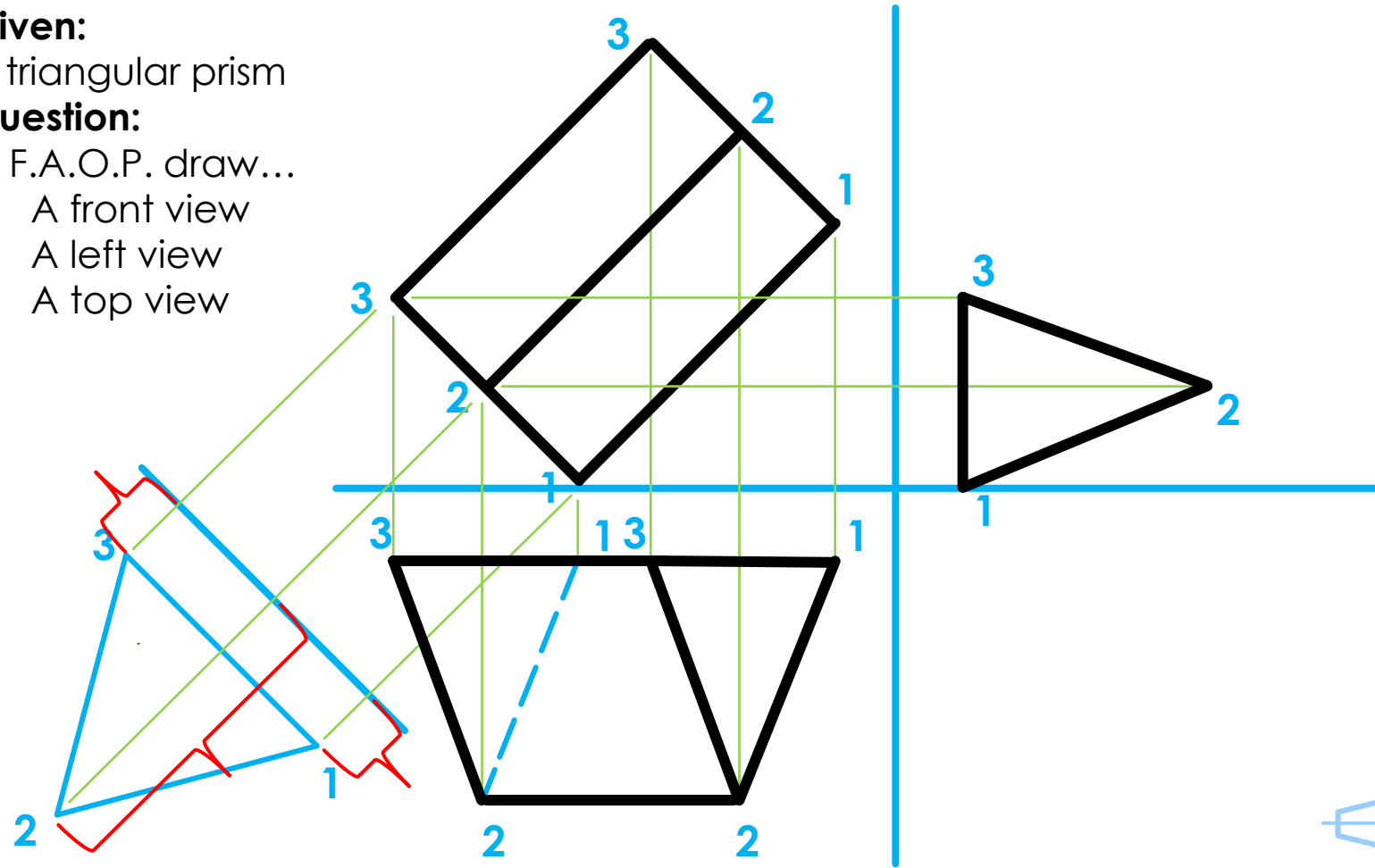
Given:

A triangular prism

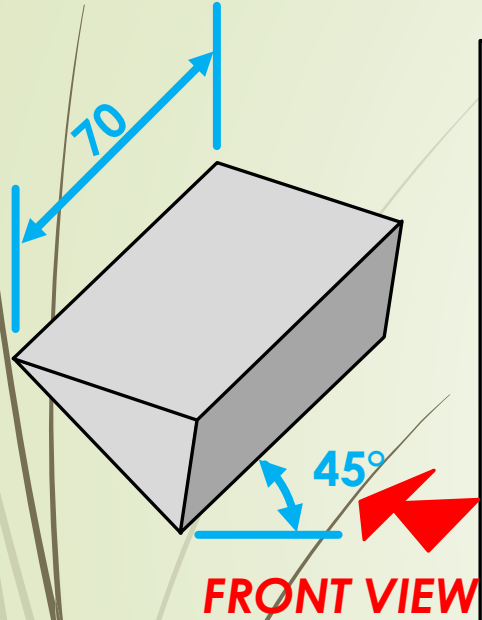
Question:

In F.A.O.P. draw...

1. A front view
2. A left view
3. A top view



Application on pyramids and prisms



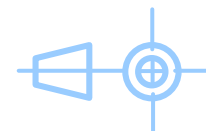
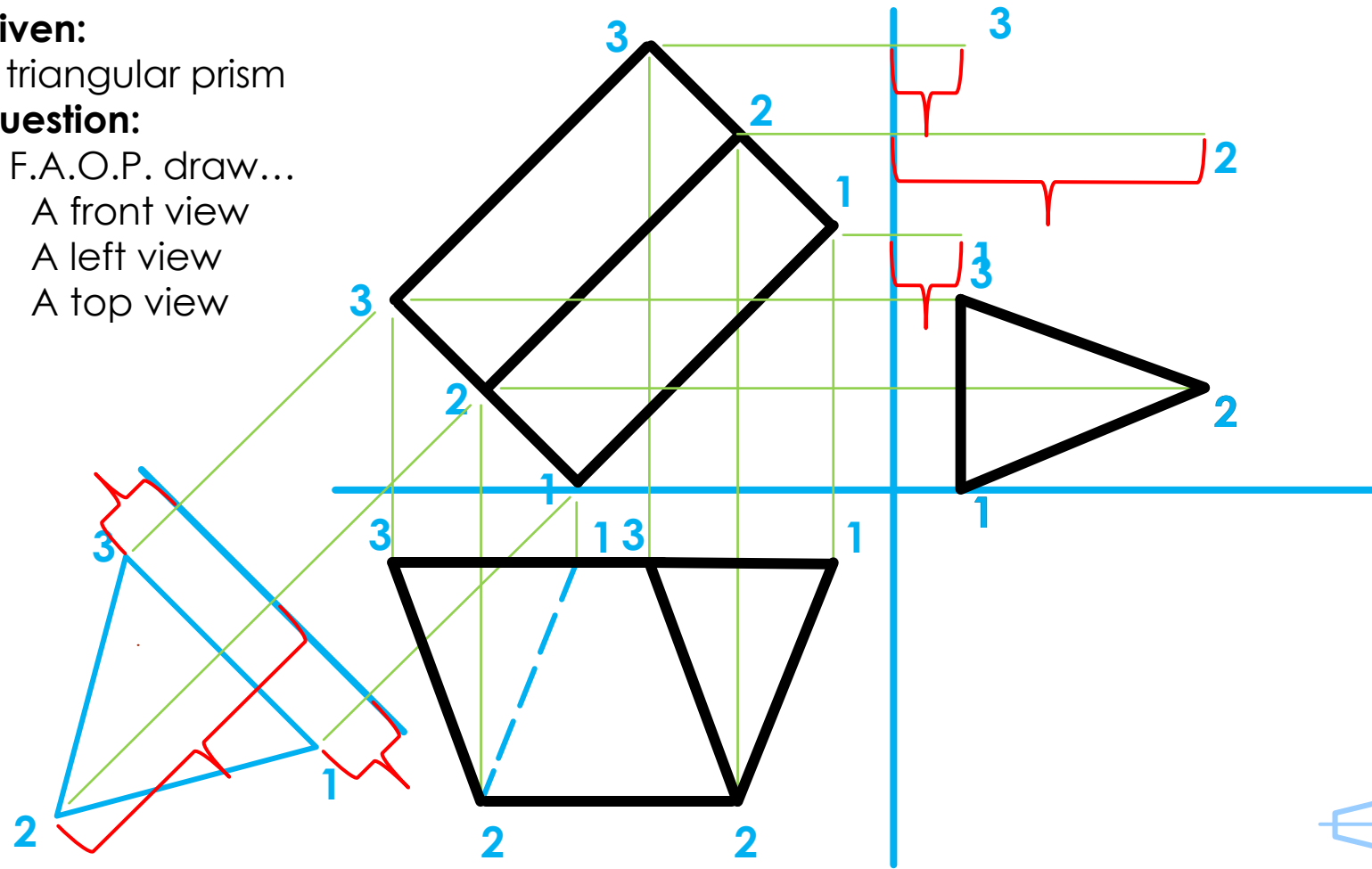
Given:

A triangular prism

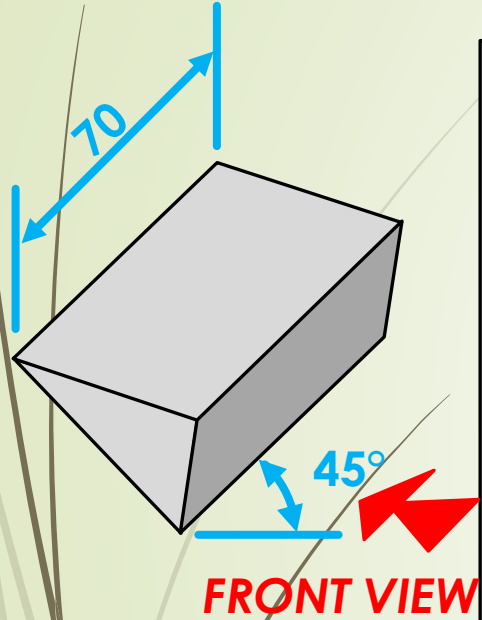
Question:

In F.A.O.P. draw...

1. A front view
2. A left view
3. A top view



Application on pyramids and prisms



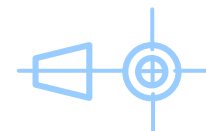
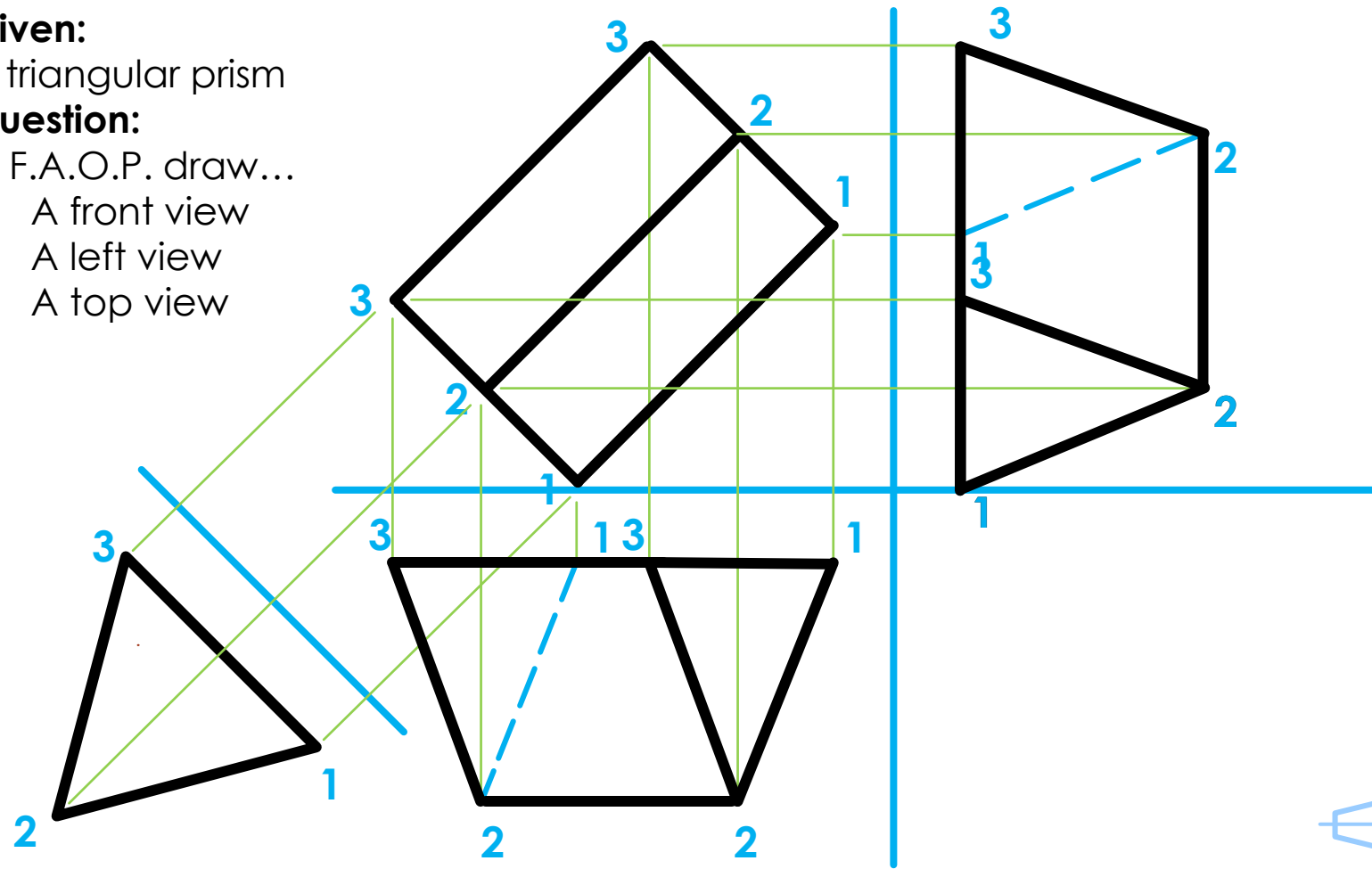
Given:

A triangular prism

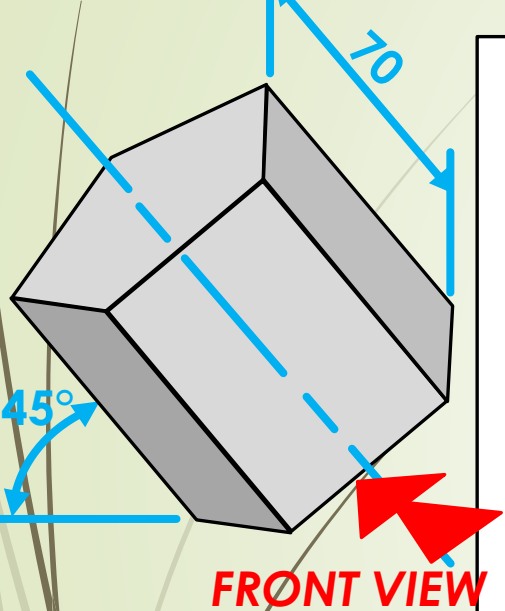
Question:

In F.A.O.P. draw...

1. A front view
2. A left view
3. A top view



Application on pyramids and prisms



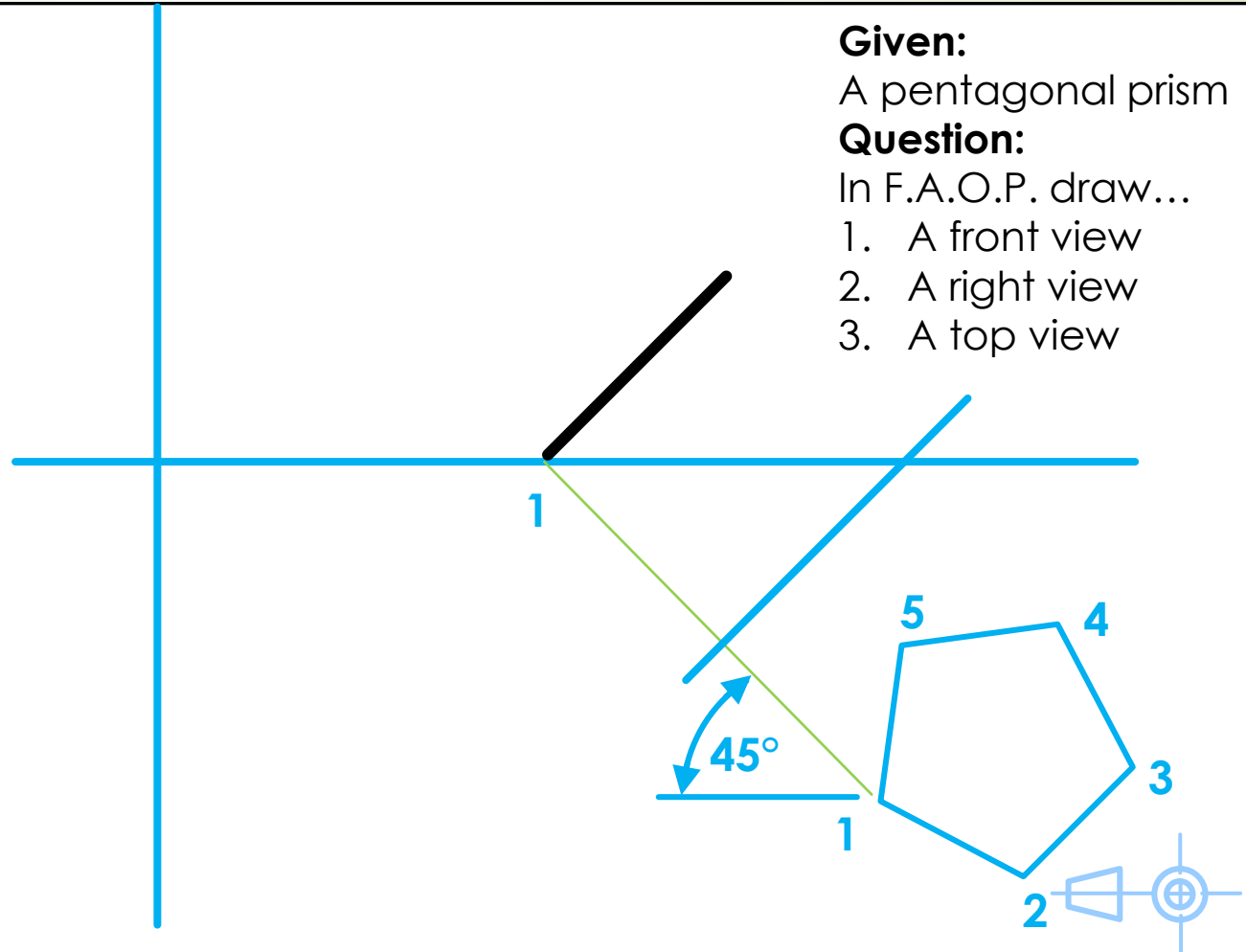
Given:

A pentagonal prism

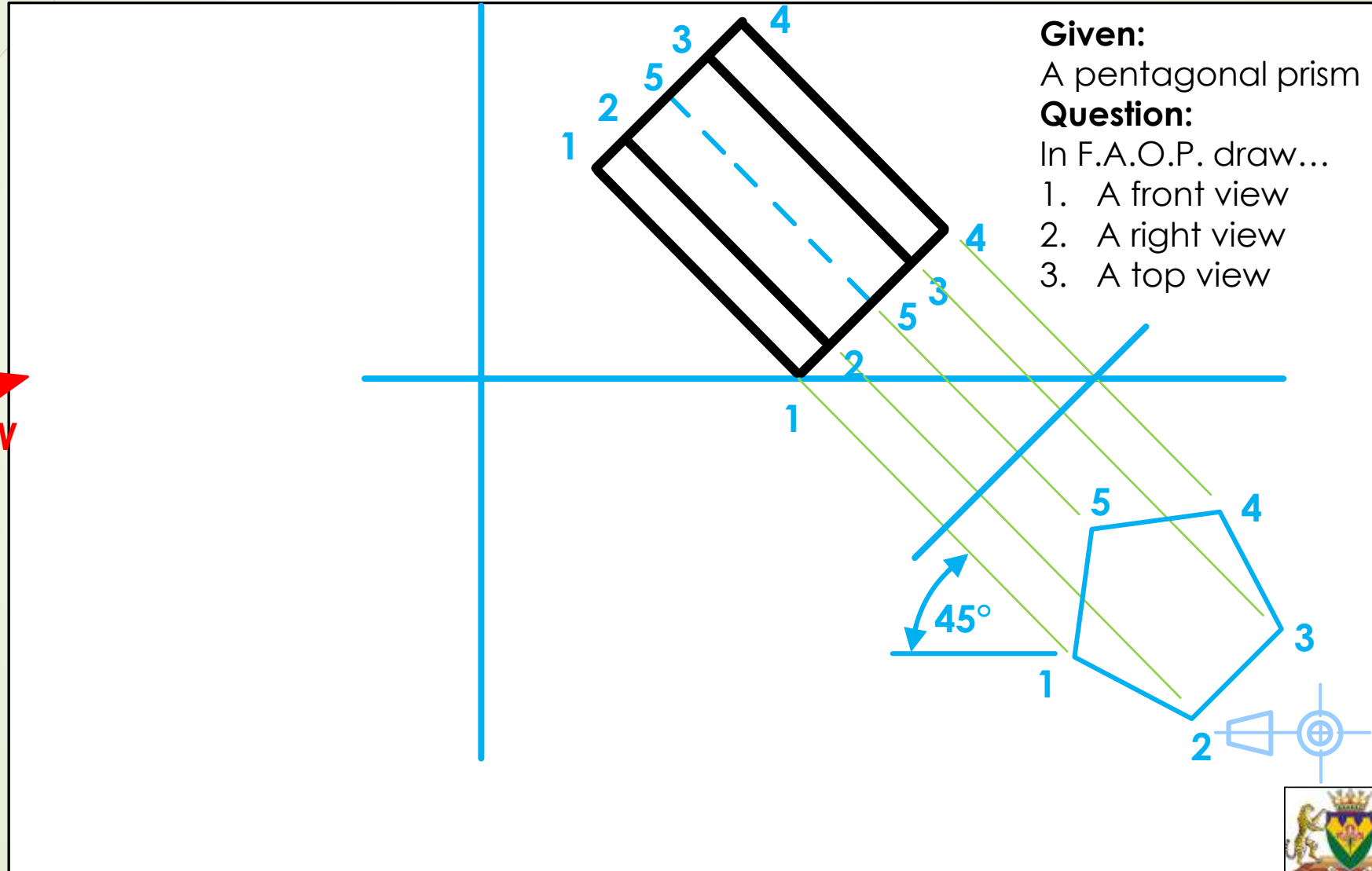
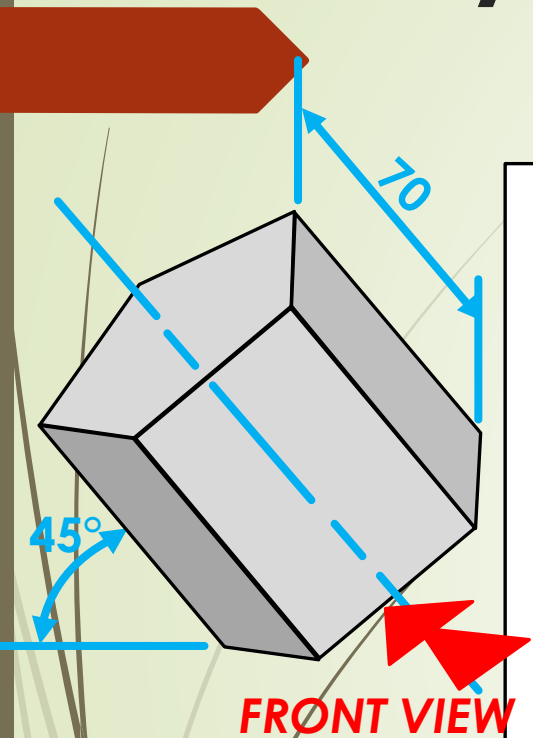
Question:

In F.A.O.P. draw...

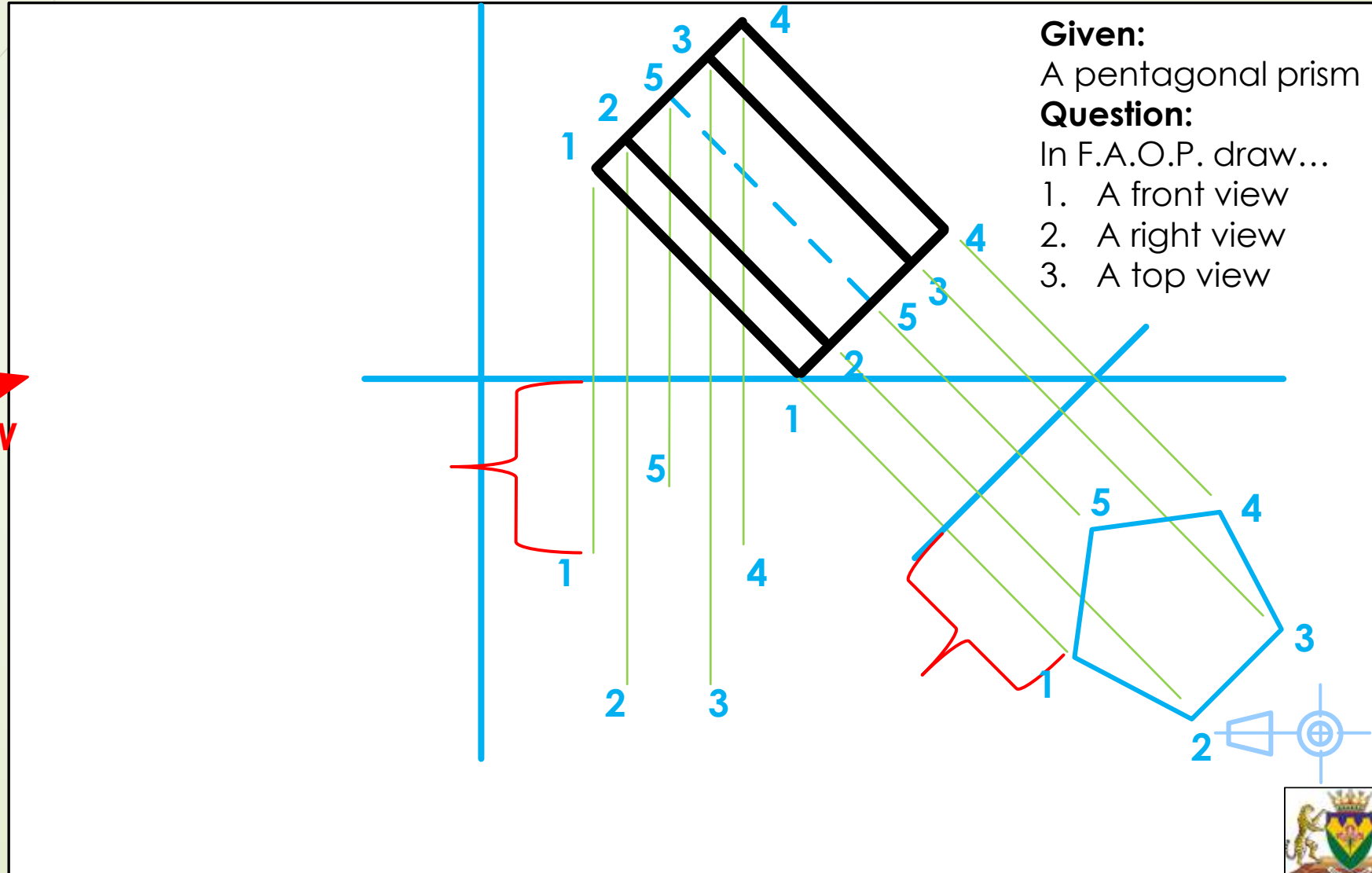
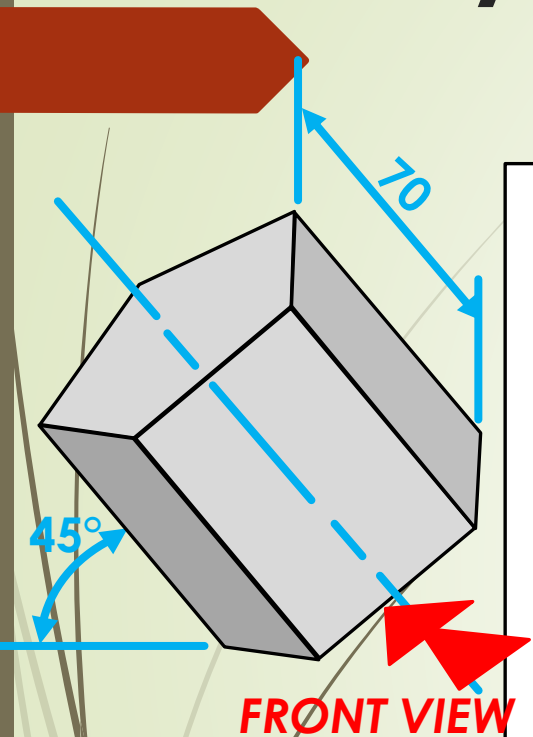
1. A front view
2. A right view
3. A top view



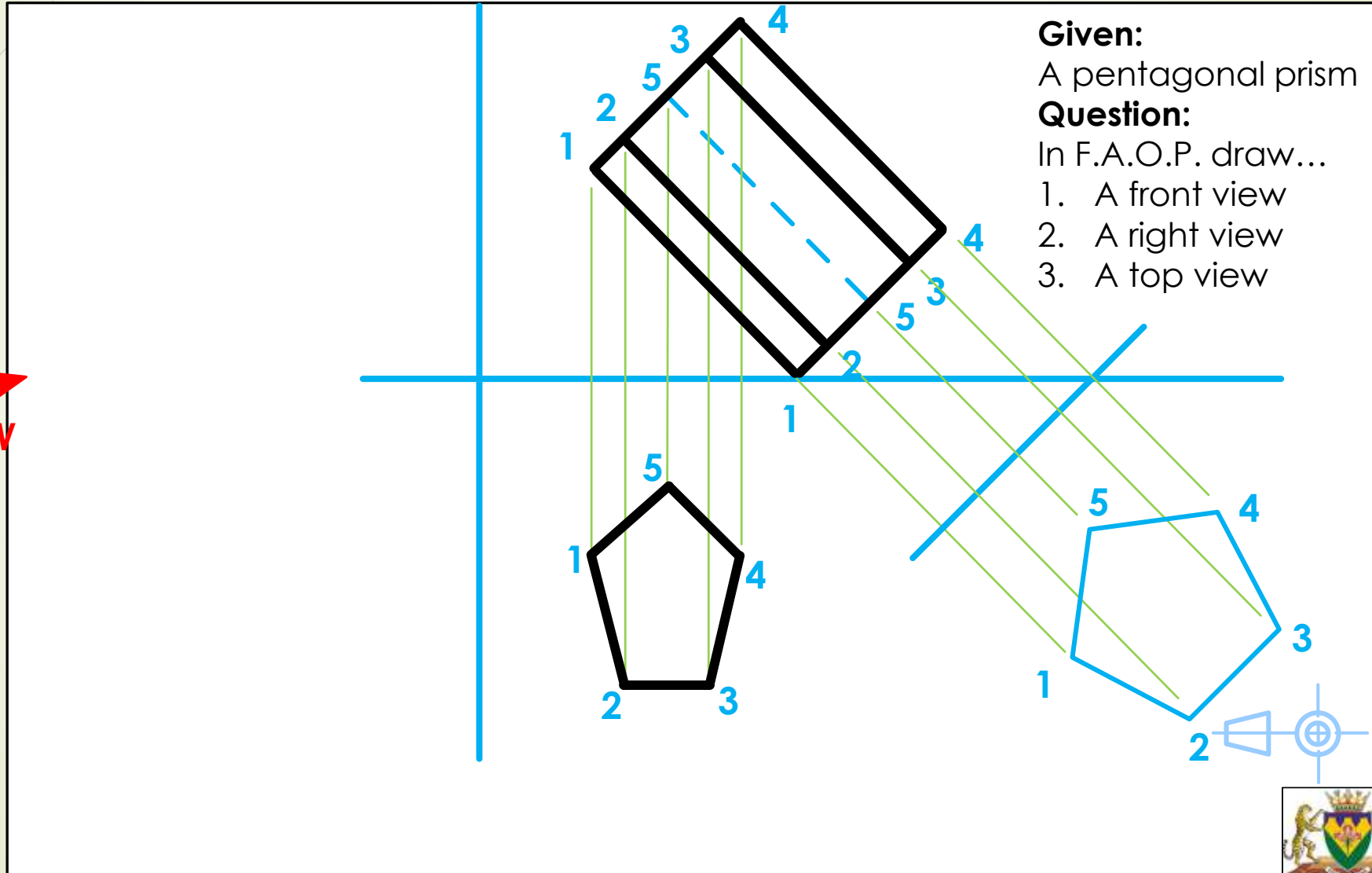
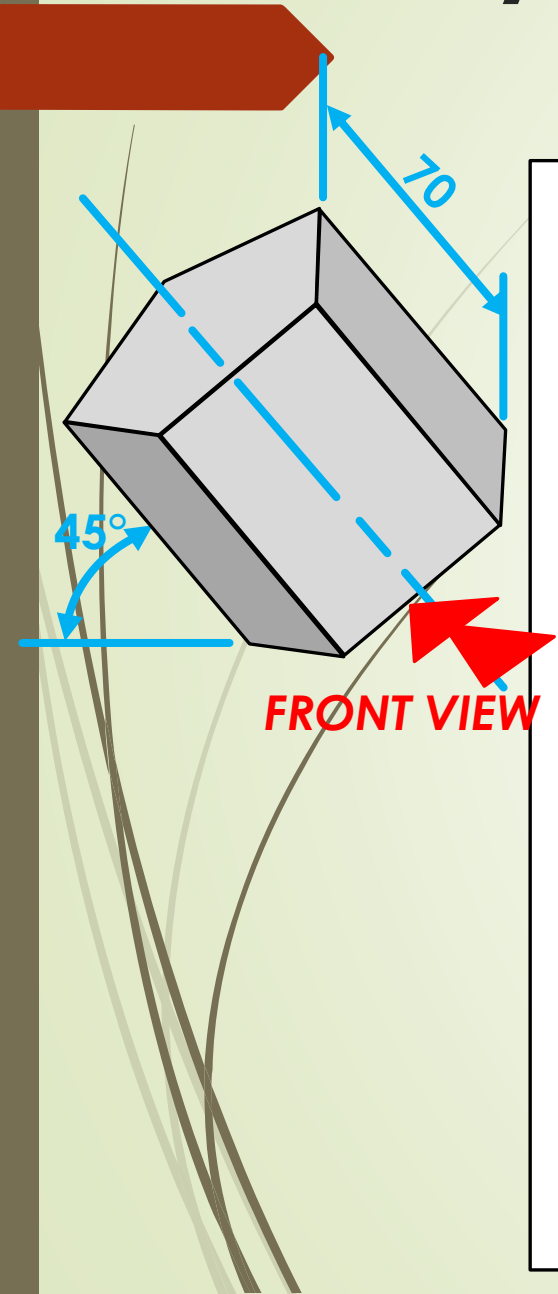
Application on pyramids and prisms



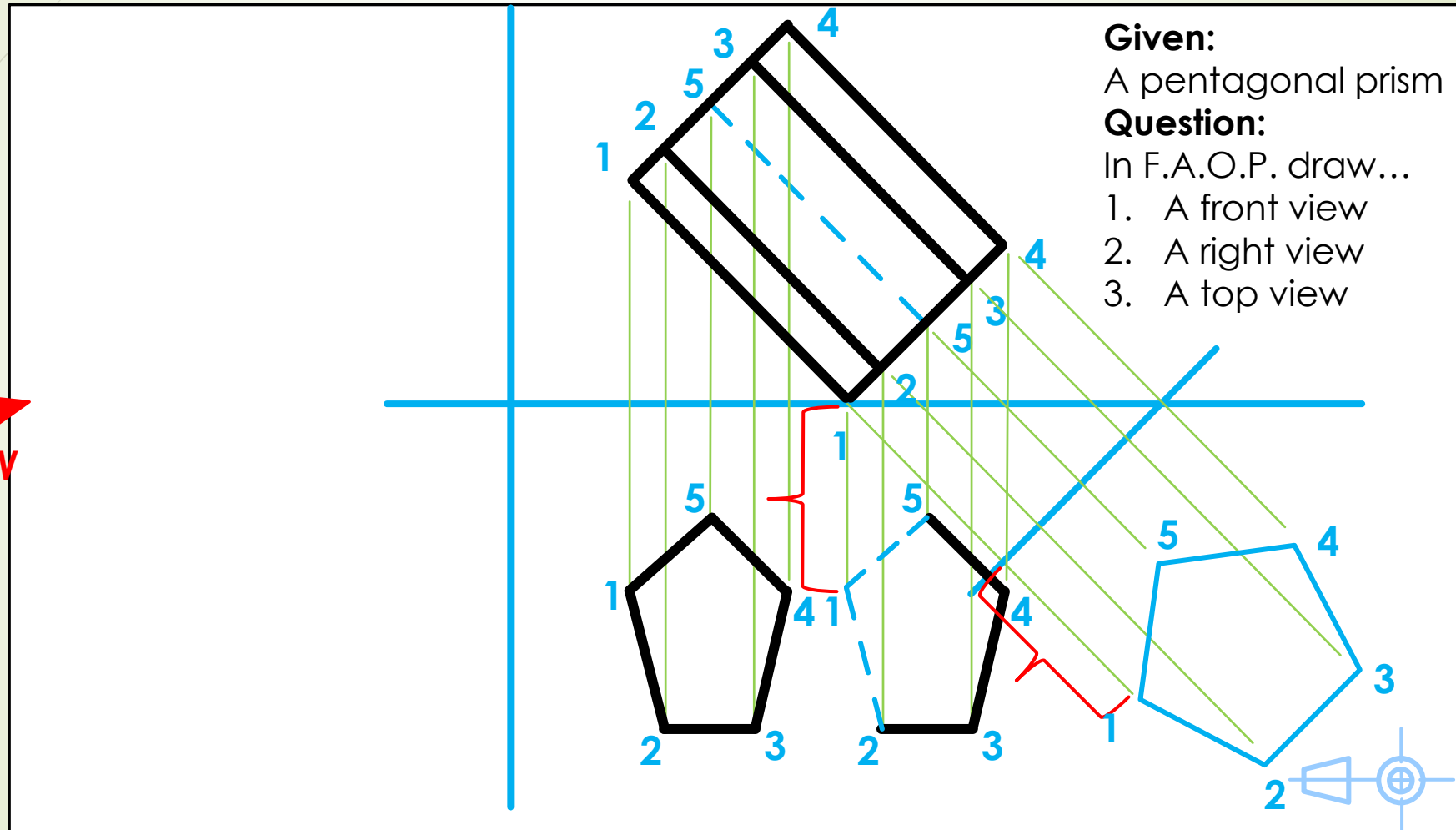
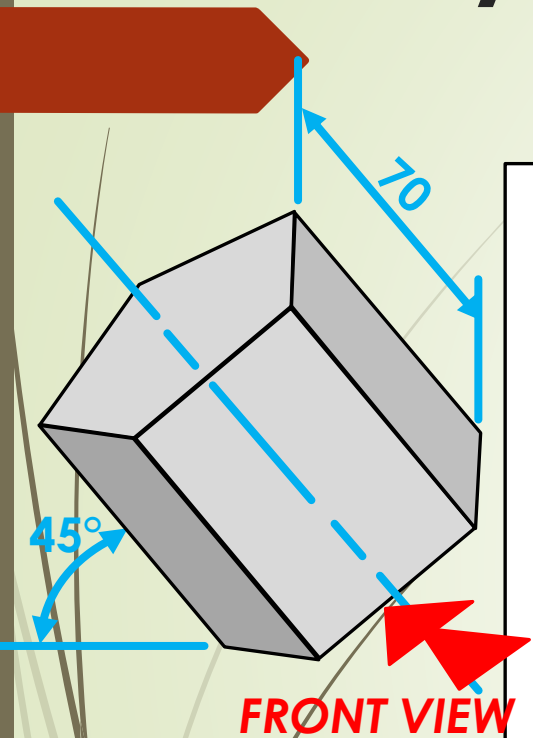
Application on pyramids and prisms



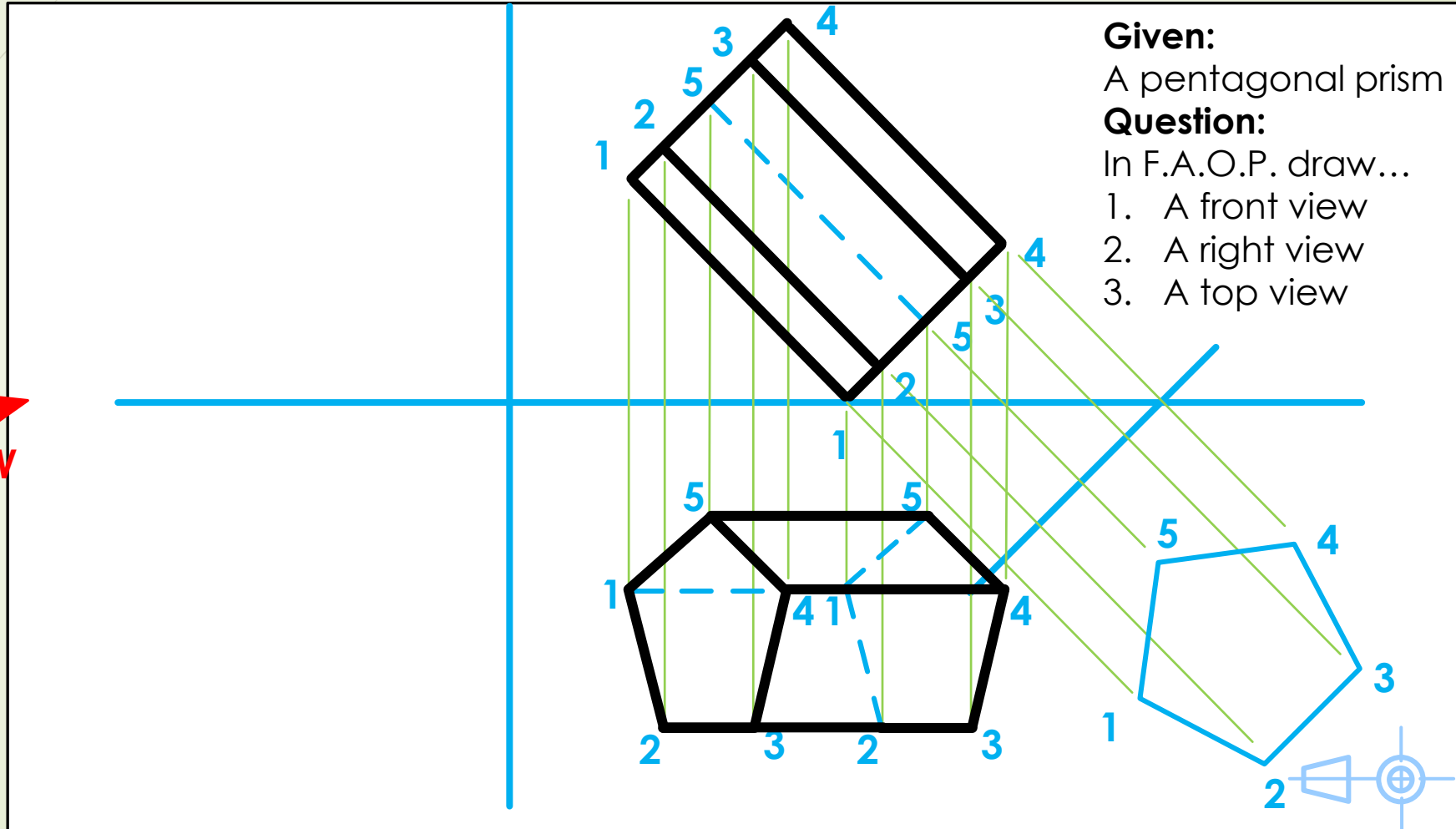
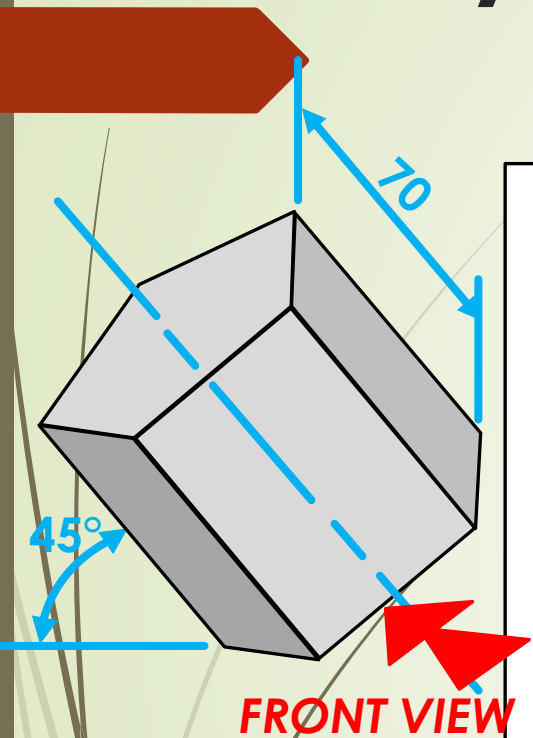
Application on pyramids and prisms



Application on pyramids and prisms



Application on pyramids and prisms



Given:

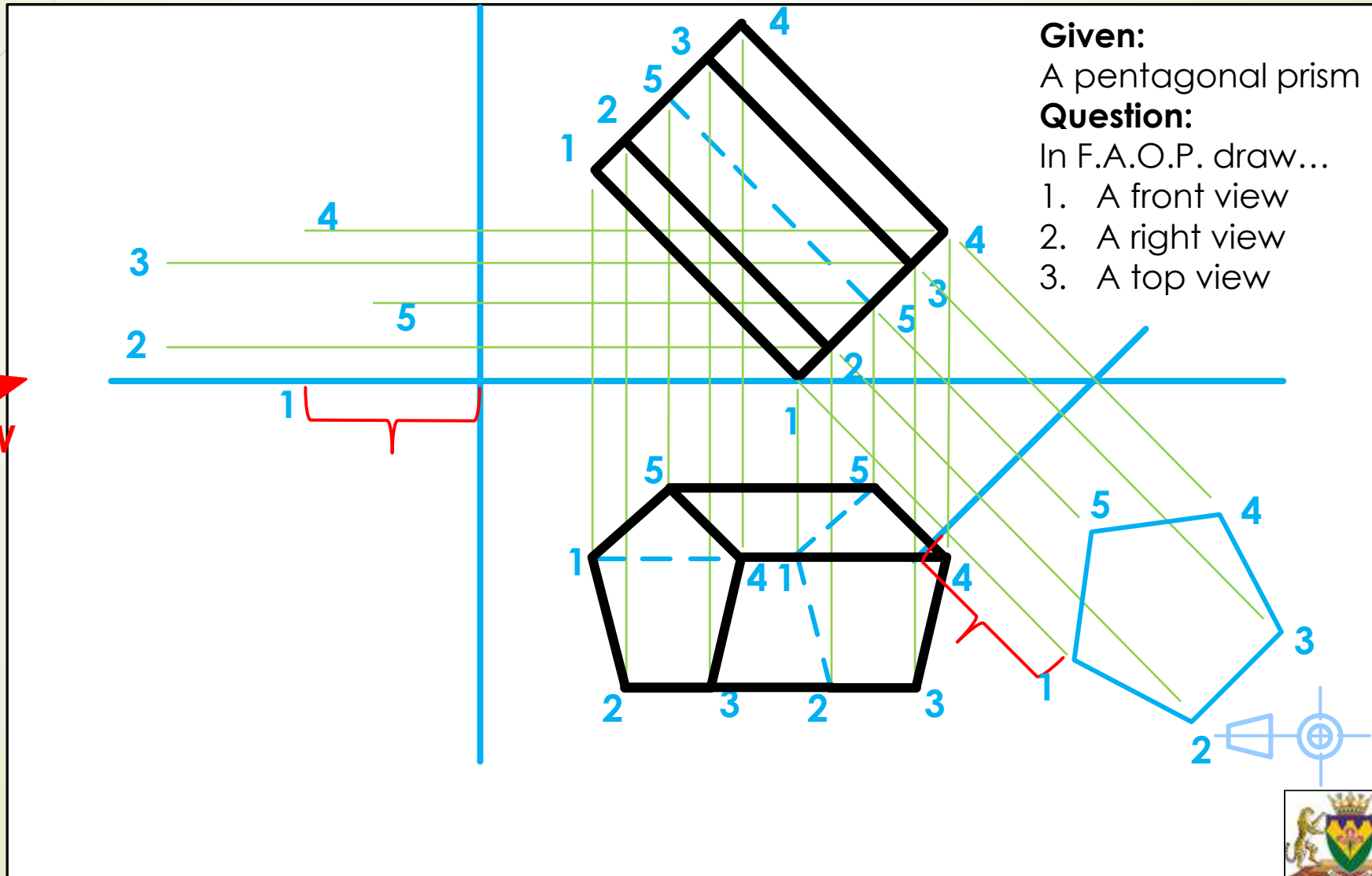
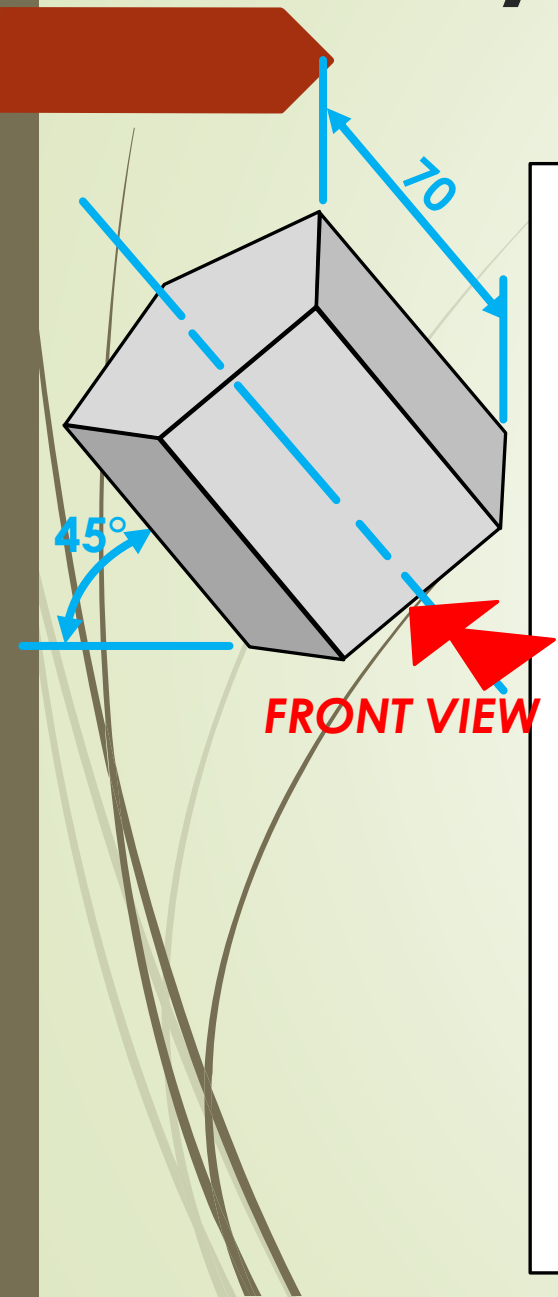
A pentagonal prism

Question:

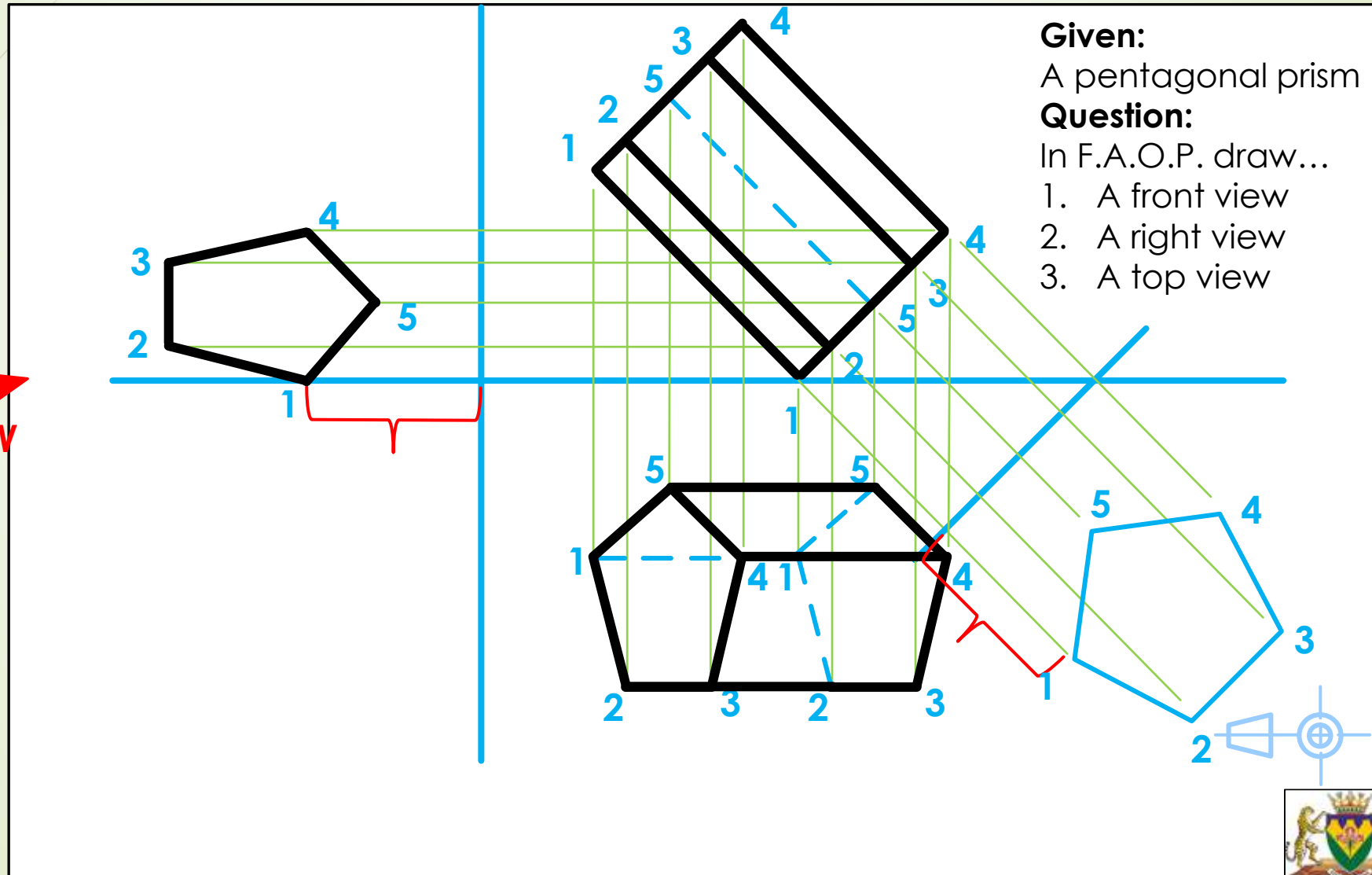
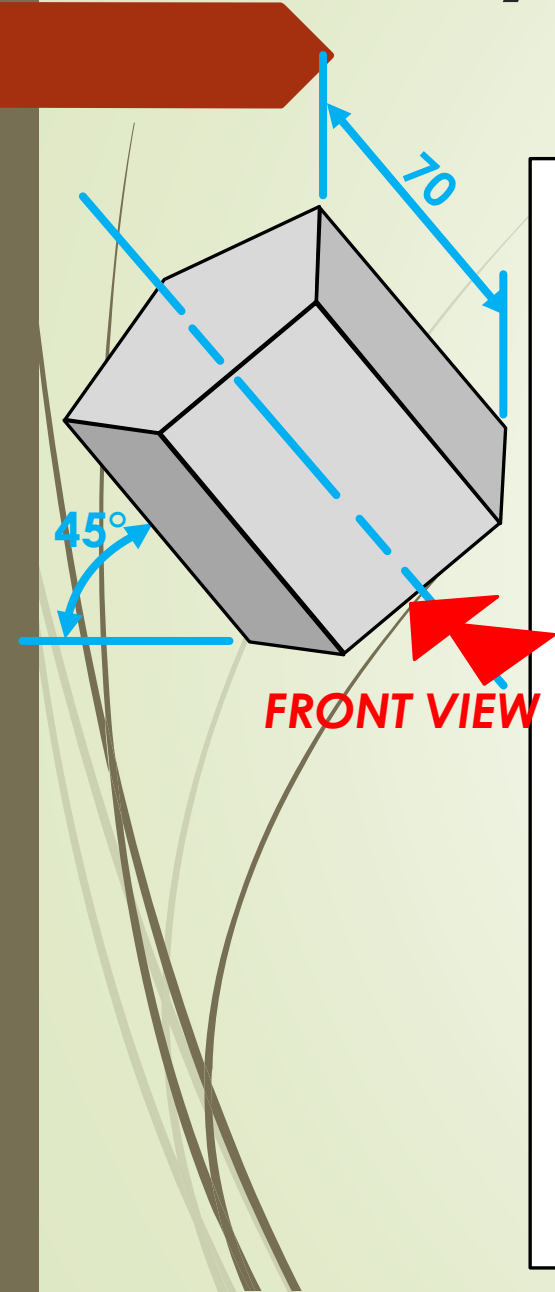
In F.A.O.P. draw...

1. A front view
2. A right view
3. A top view

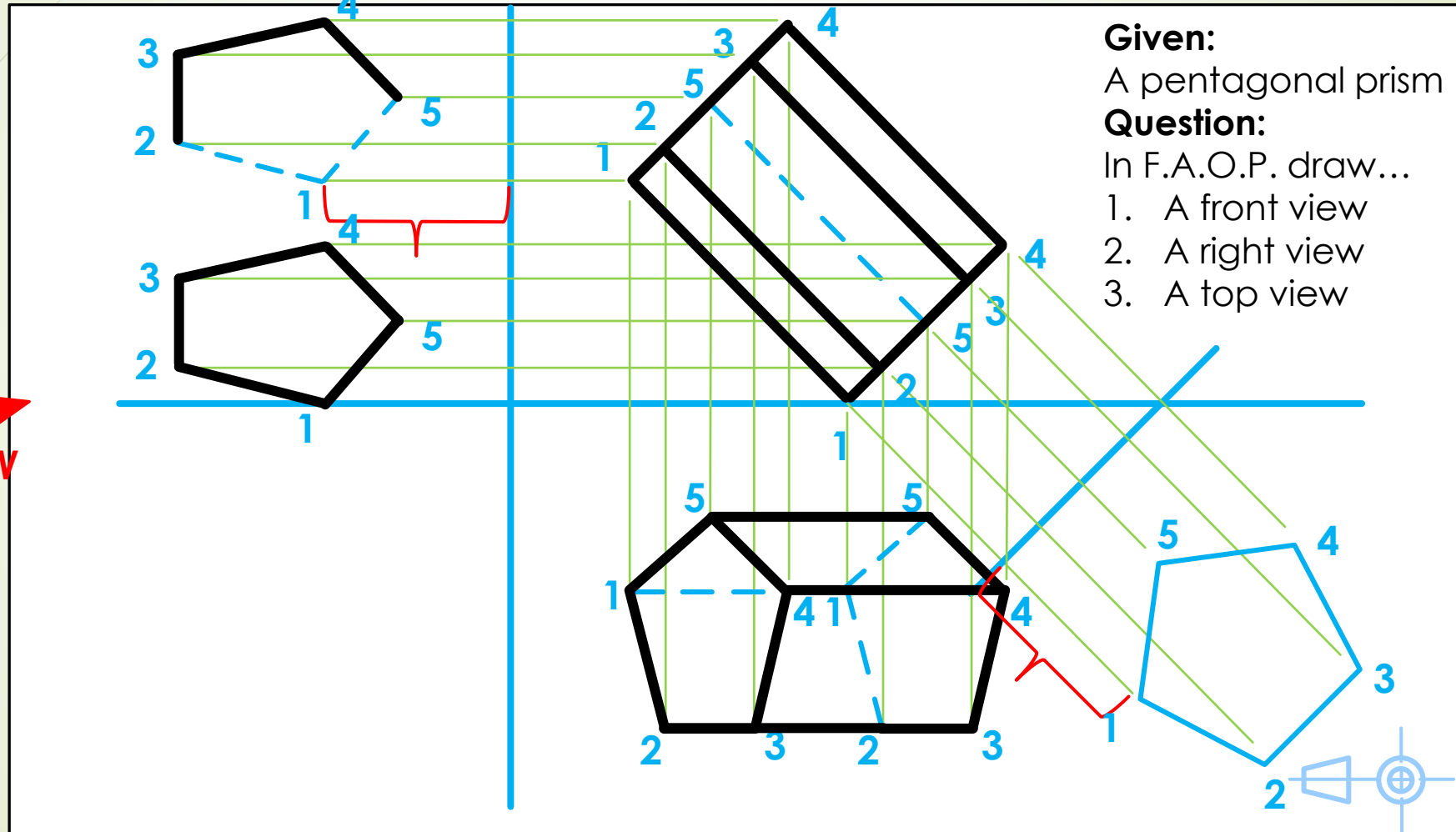
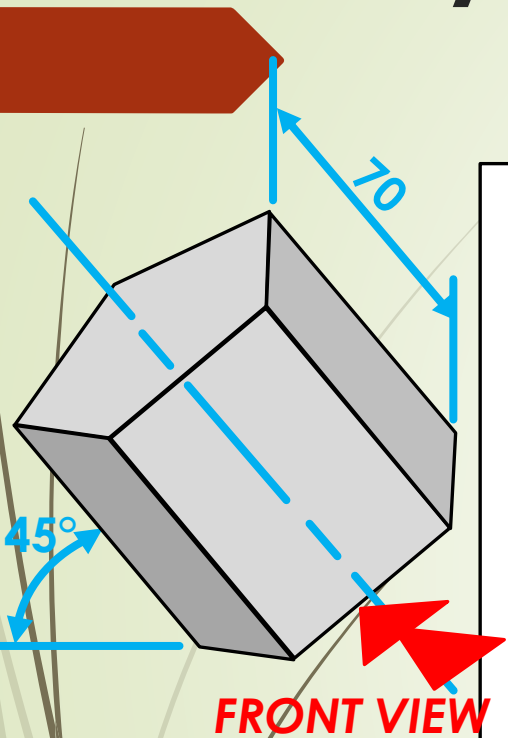
Application on pyramids and prisms



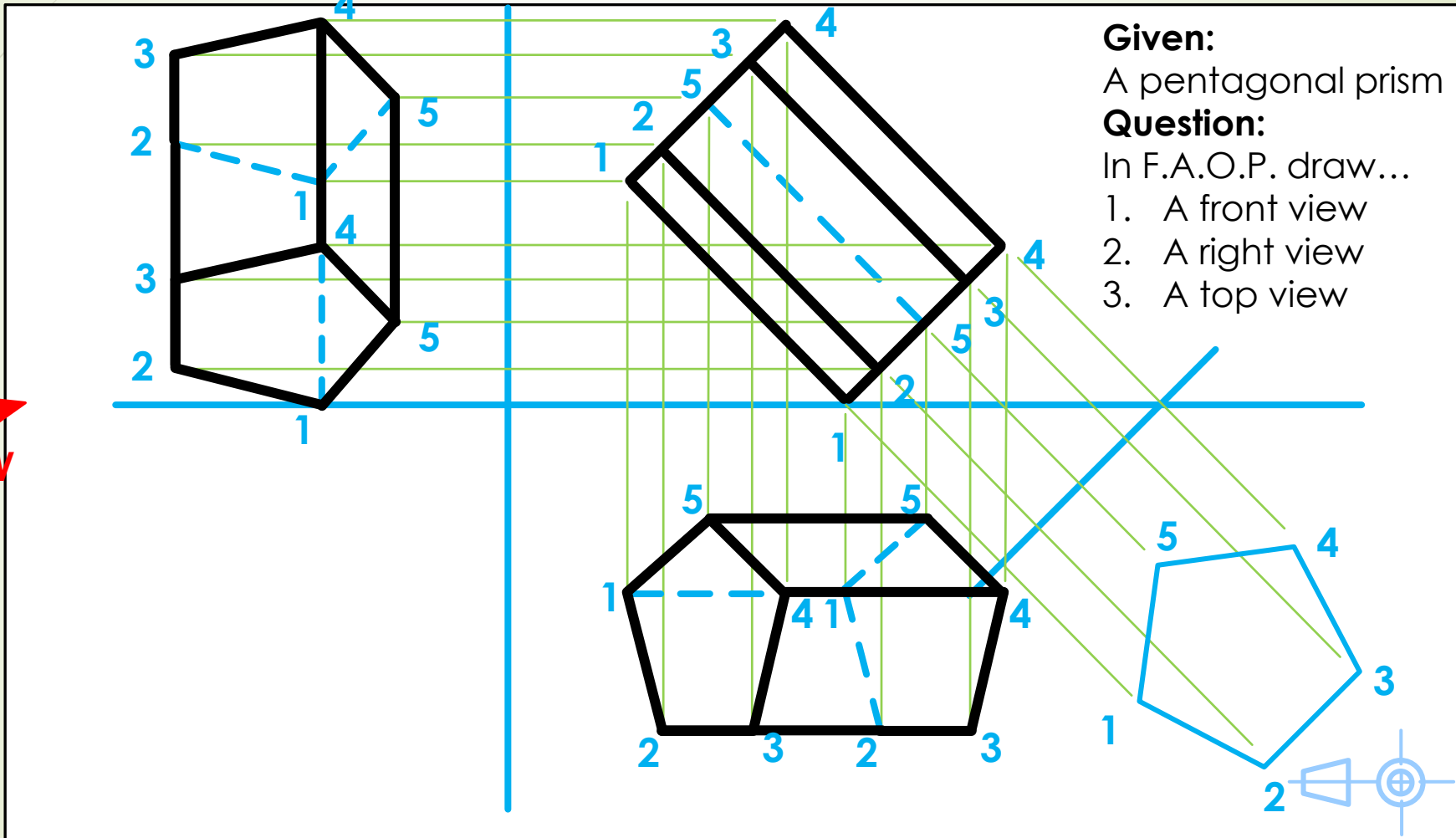
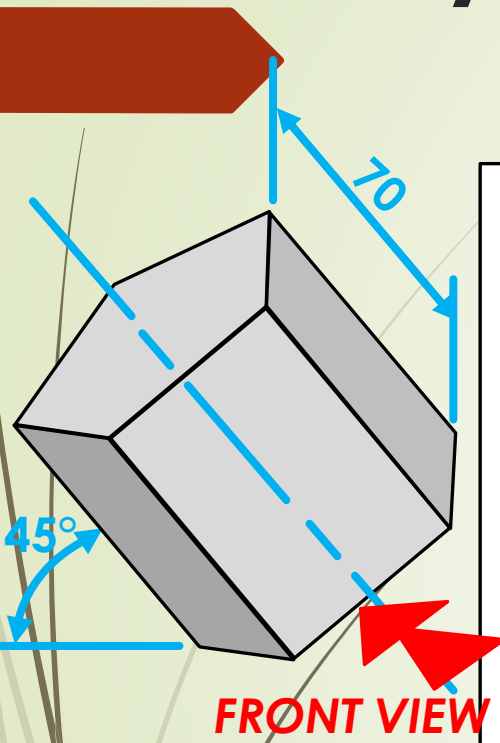
Application on pyramids and prisms



Application on pyramids and prisms

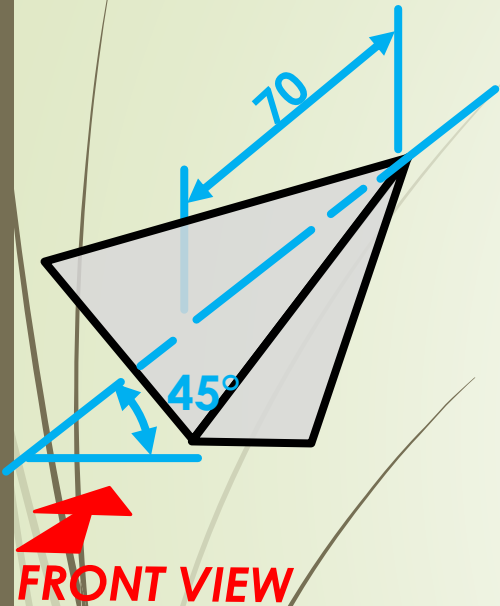


Application on pyramids and prisms



Given:
A pentagonal prism
Question:
In F.A.O.P. draw...
1. A front view
2. A right view
3. A top view

Application on pyramids and prisms



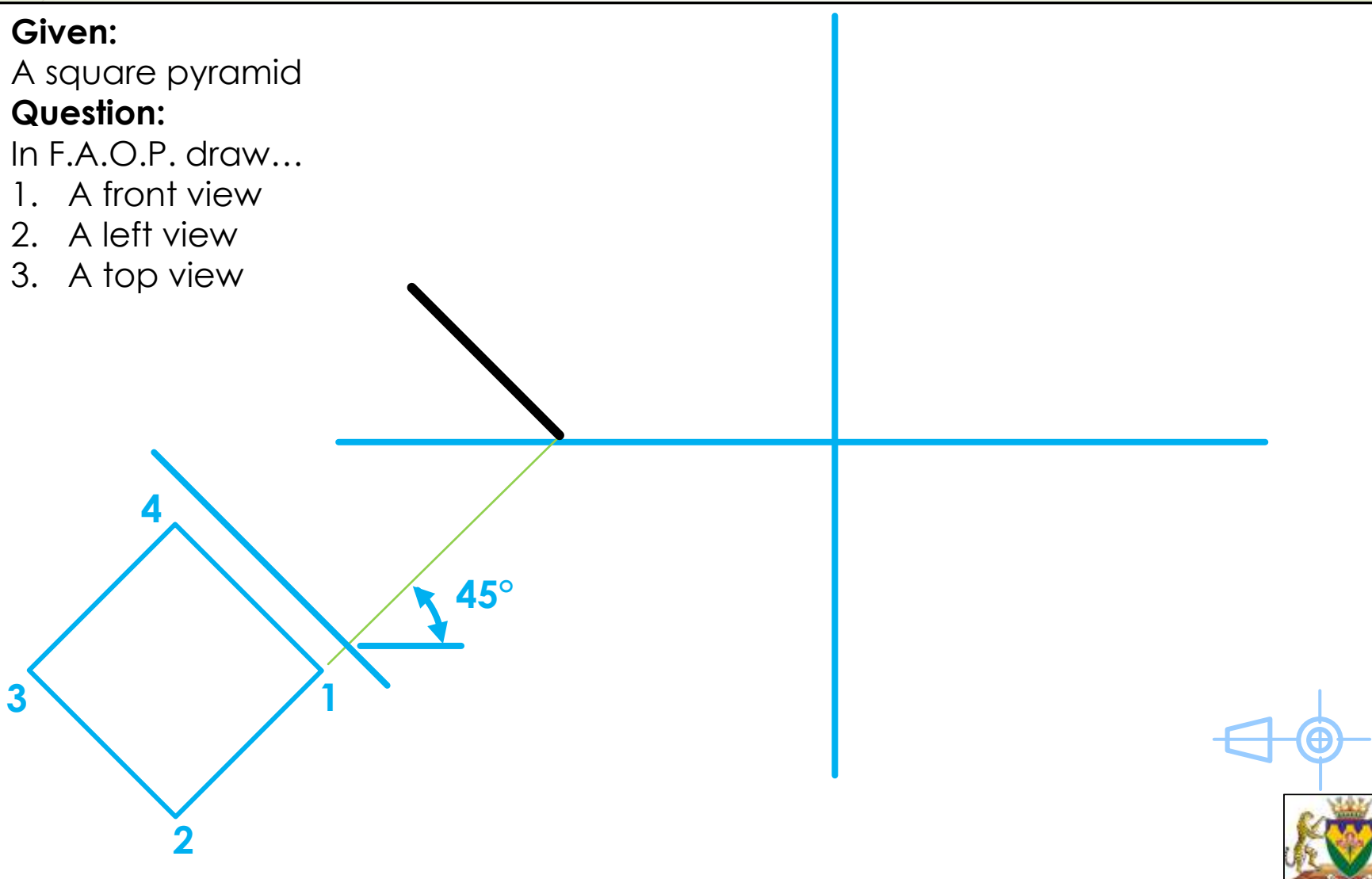
Given:

A square pyramid

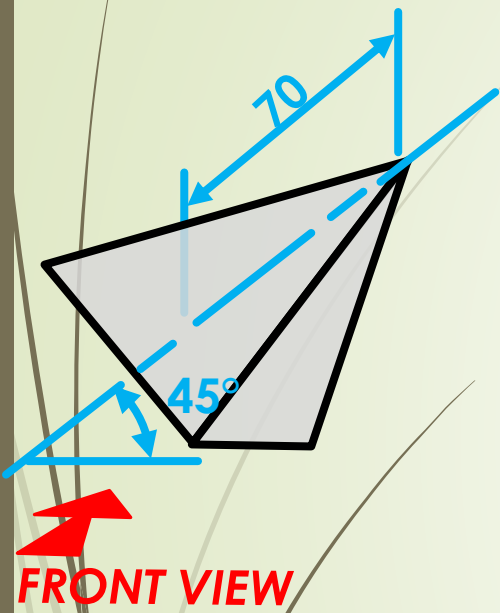
Question:

In F.A.O.P. draw...

1. A front view
2. A left view
3. A top view



Application on pyramids and prisms

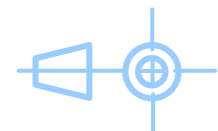


Given:
A square pyramid

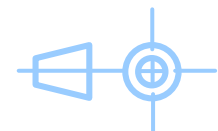
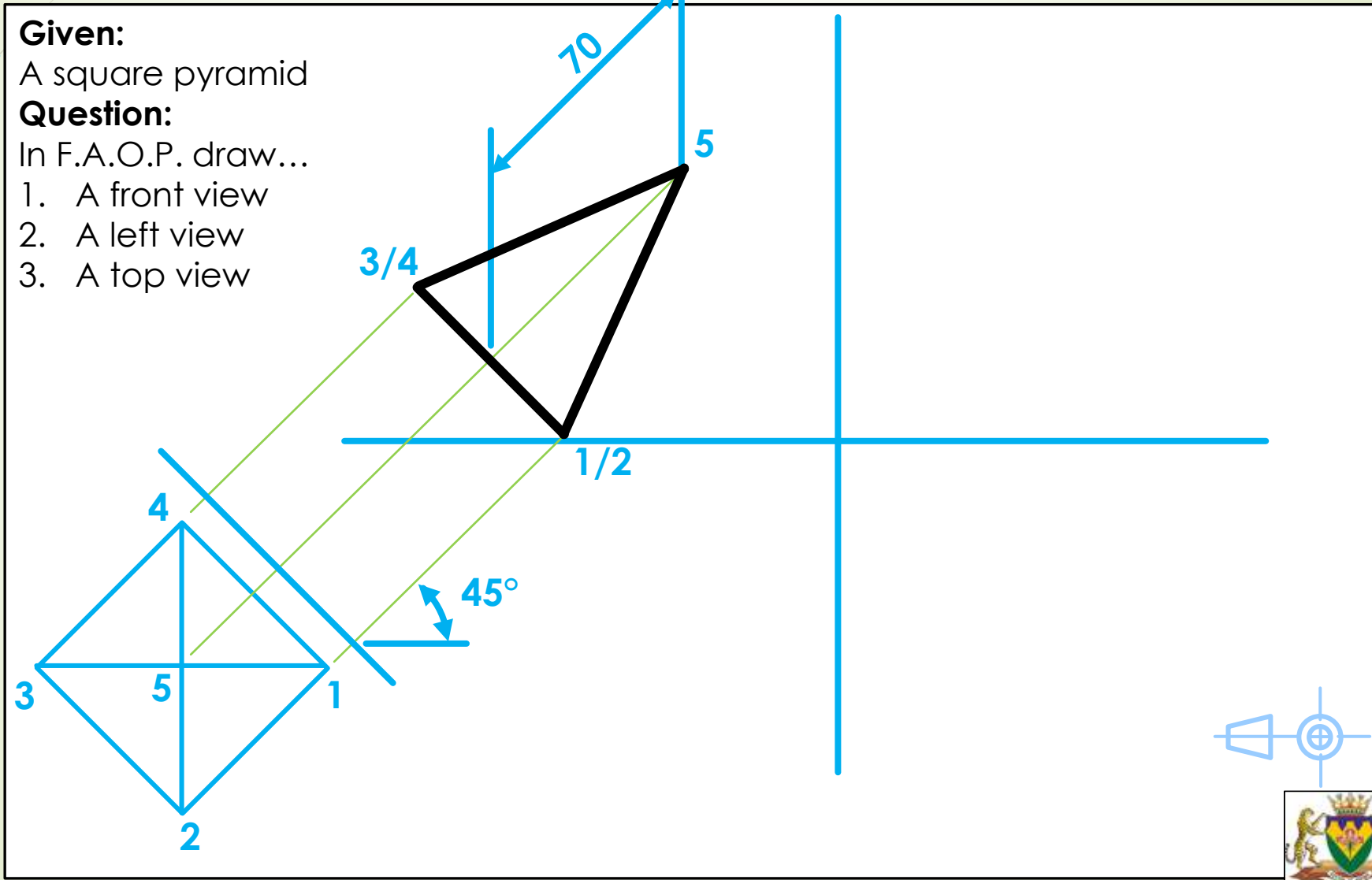
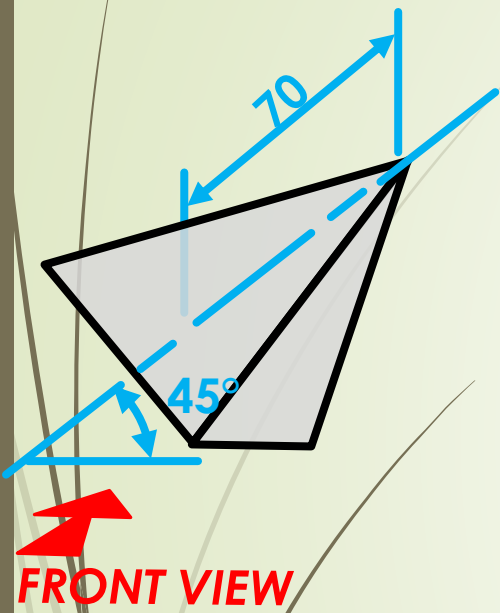
Question:
In F.A.O.P. draw...

1. A front view
2. A left view
3. A top view

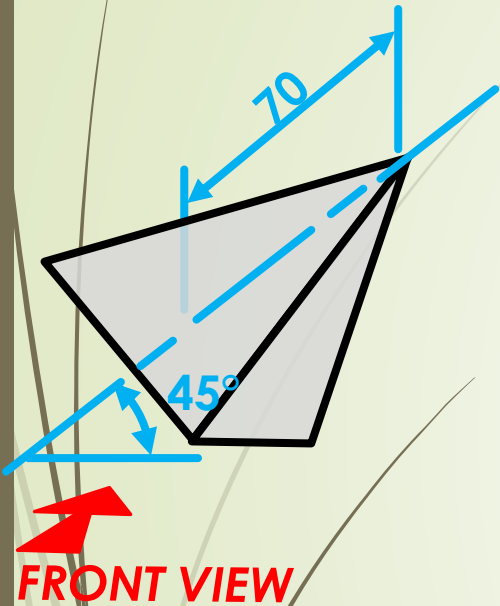
The diagram shows the orthographic projection of a square pyramid. It includes a front view (a triangle with a slant height of 70 and a 45-degree angle), a top view (a square with vertices labeled 1, 2, 3, 4 and center 5), and a left view (a rectangle). The views are arranged in the First Angle Orthographic Projection (F.A.O.P.) system. A 45-degree construction line is used to transfer dimensions between the top and front views. A vertical reference line is shown on the right side of the drawing.



Application on pyramids and prisms



Application on pyramids and prisms



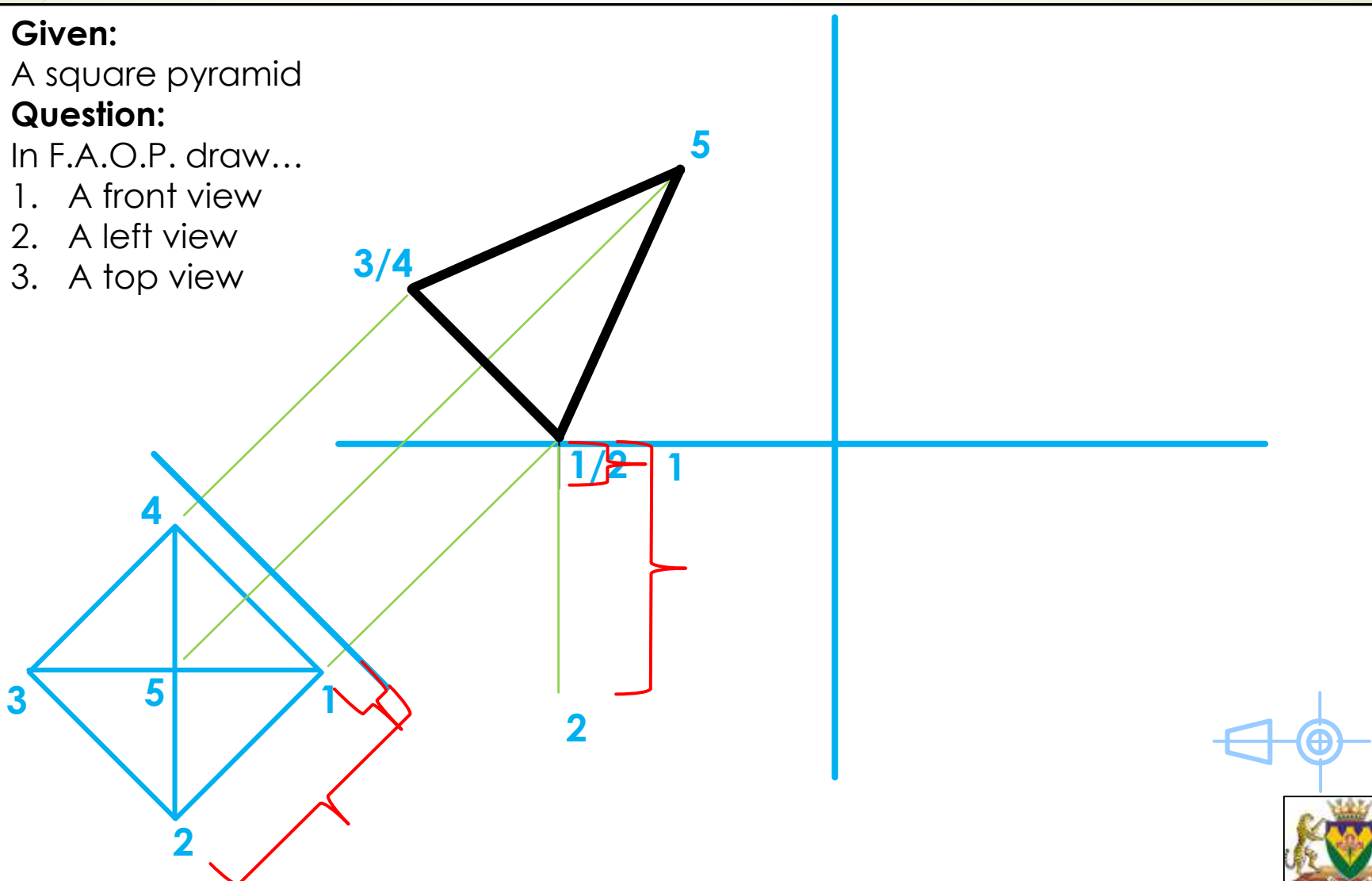
Given:

A square pyramid

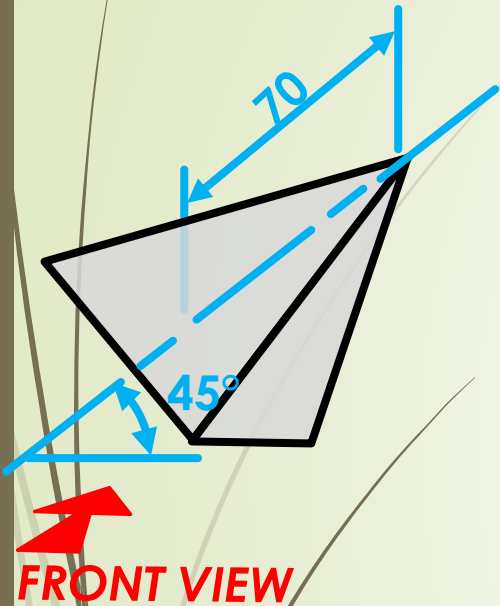
Question:

In F.A.O.P. draw...

1. A front view
2. A left view
3. A top view



Application on pyramids and prisms



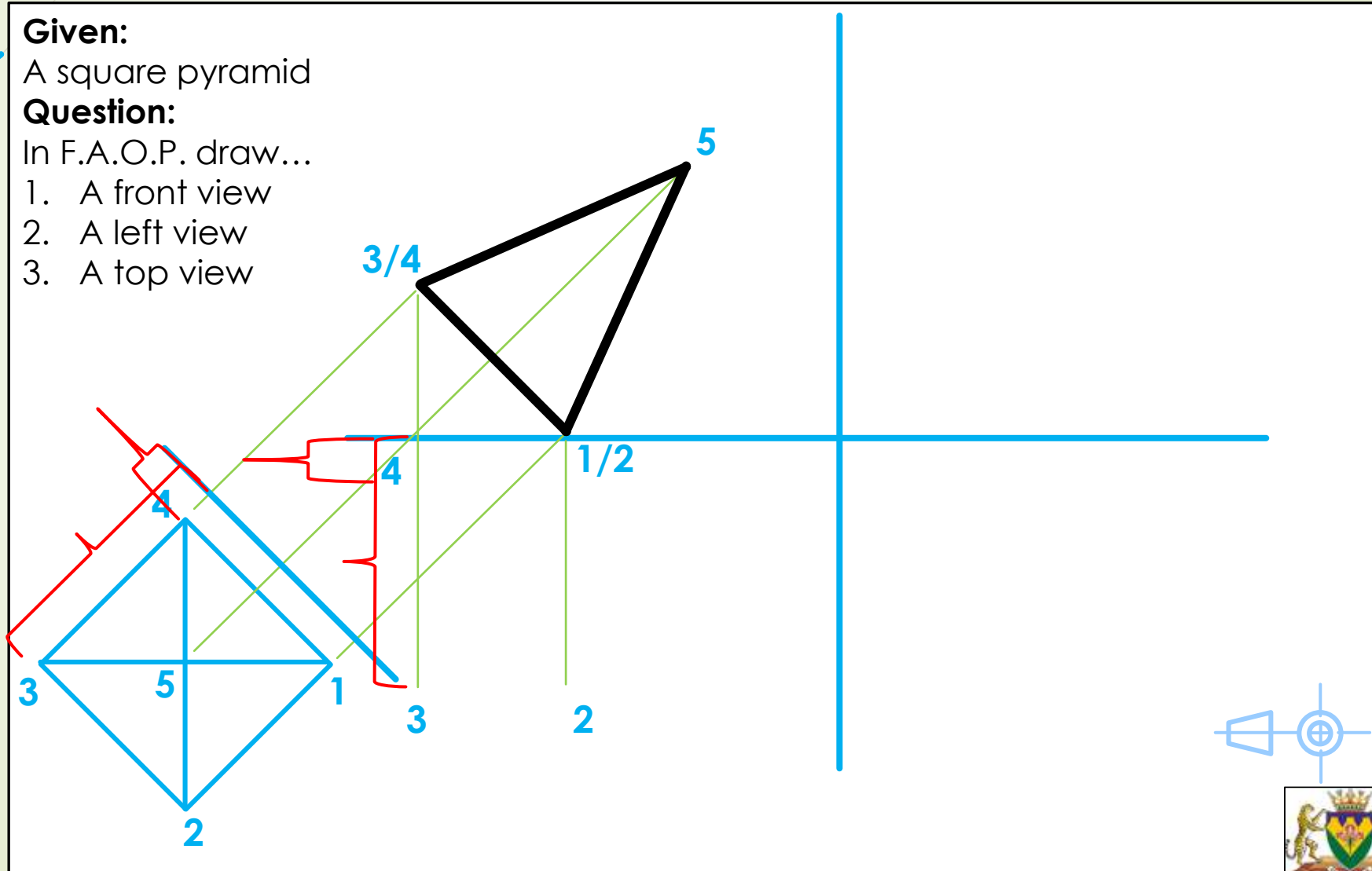
Given:

A square pyramid

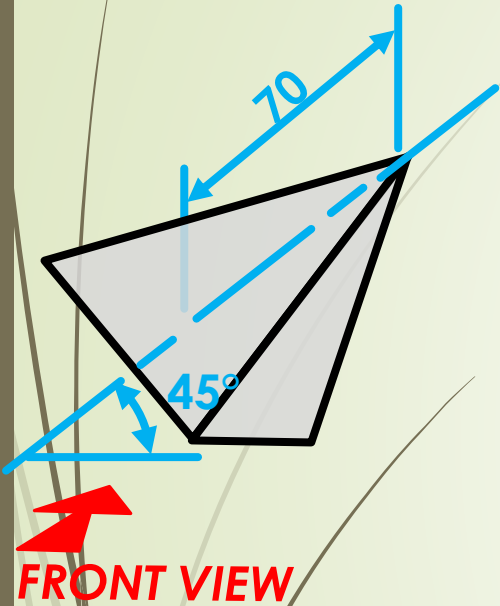
Question:

In F.A.O.P. draw...

1. A front view
2. A left view
3. A top view



Application on pyramids and prisms



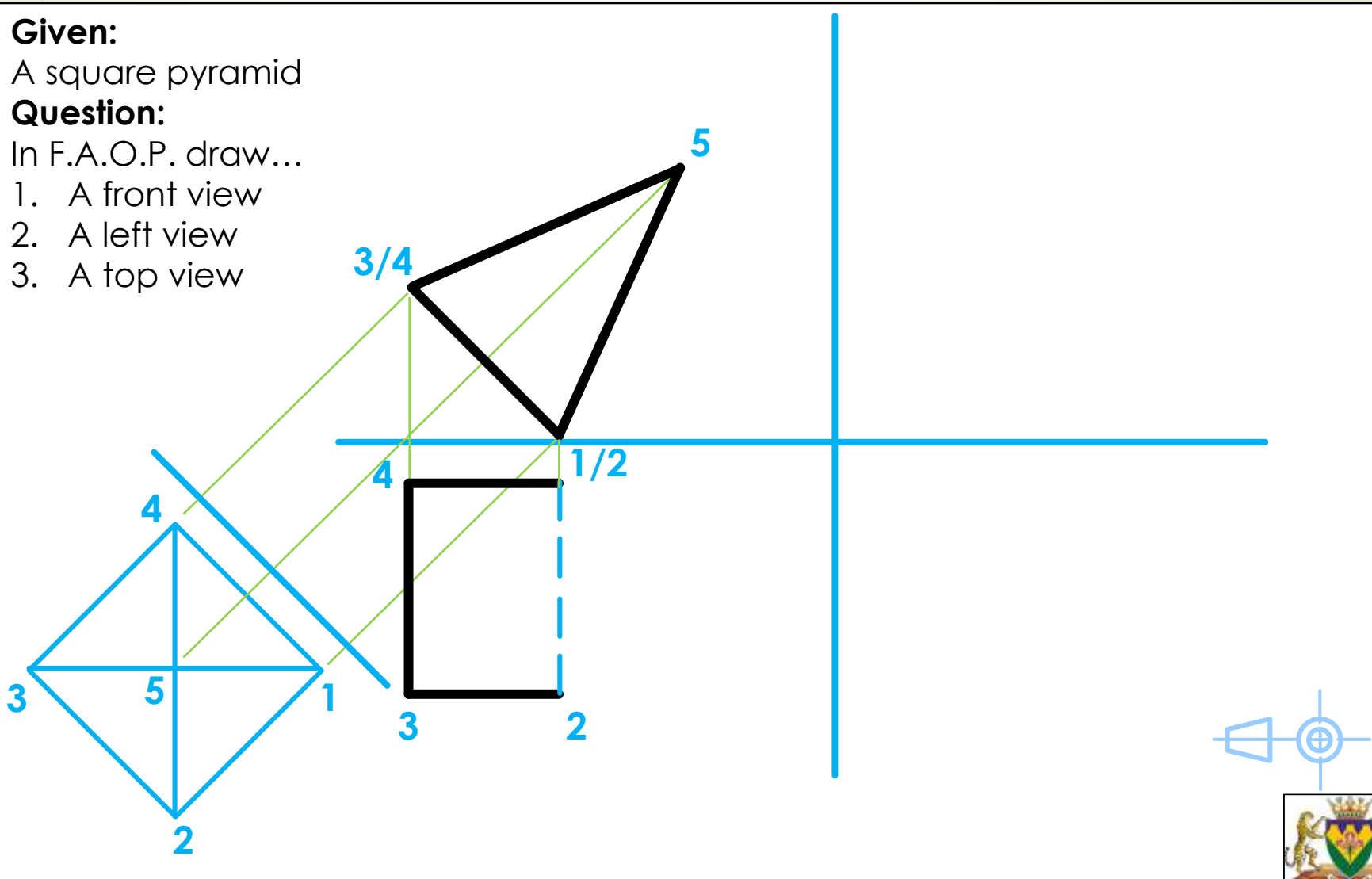
Given:

A square pyramid

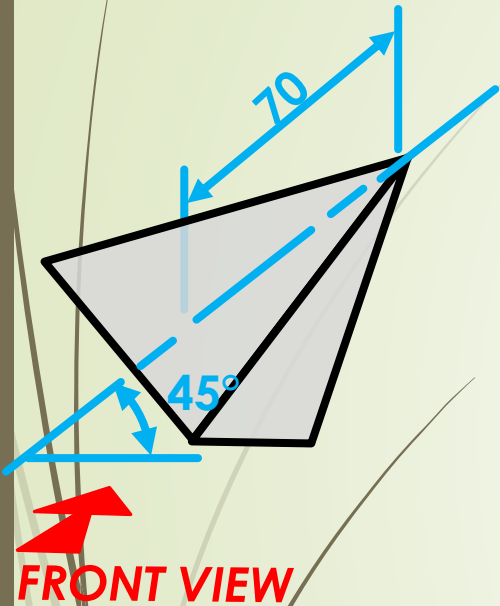
Question:

In F.A.O.P. draw...

1. A front view
2. A left view
3. A top view



Application on pyramids and prisms



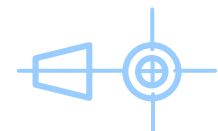
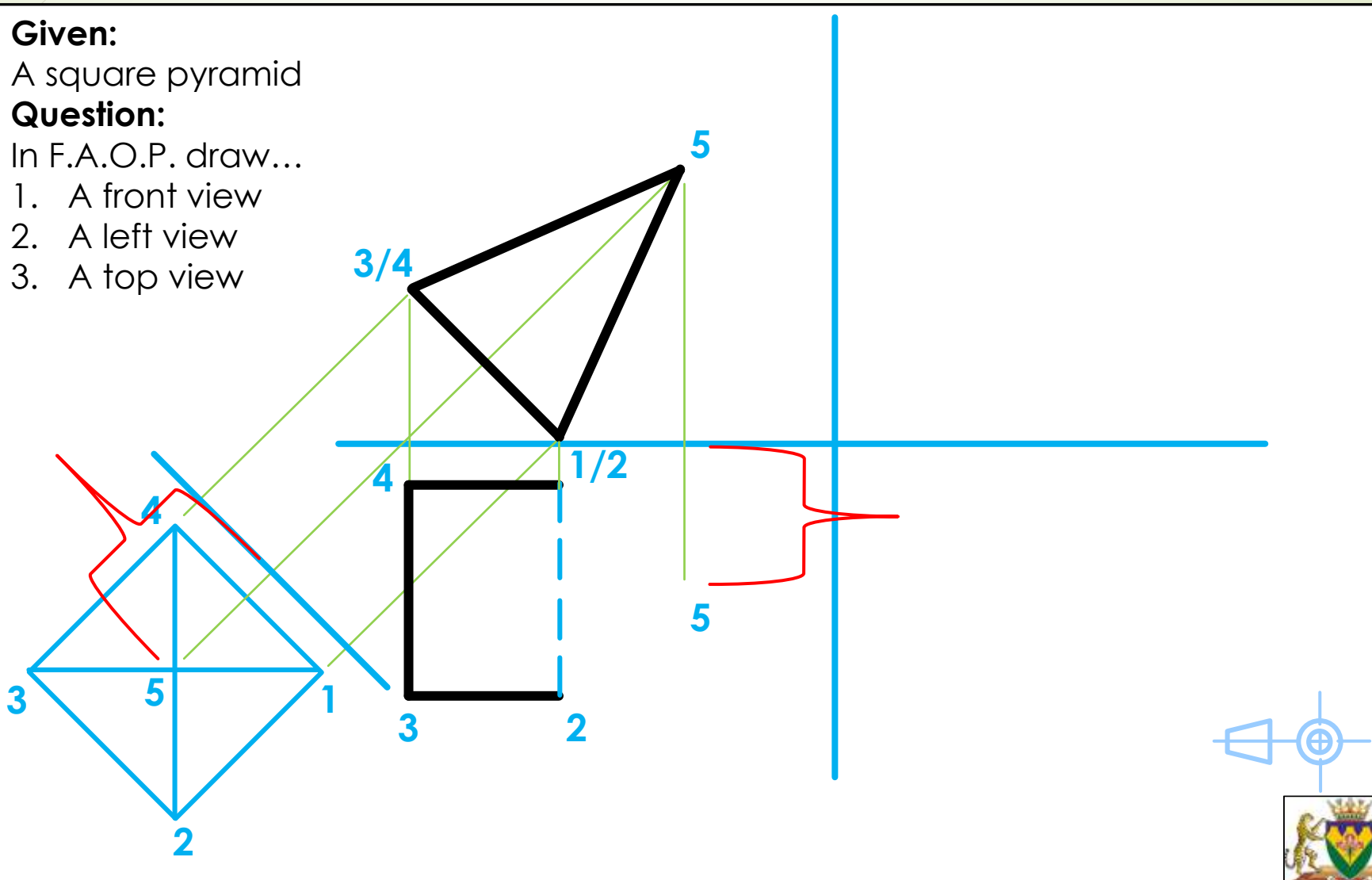
Given:

A square pyramid

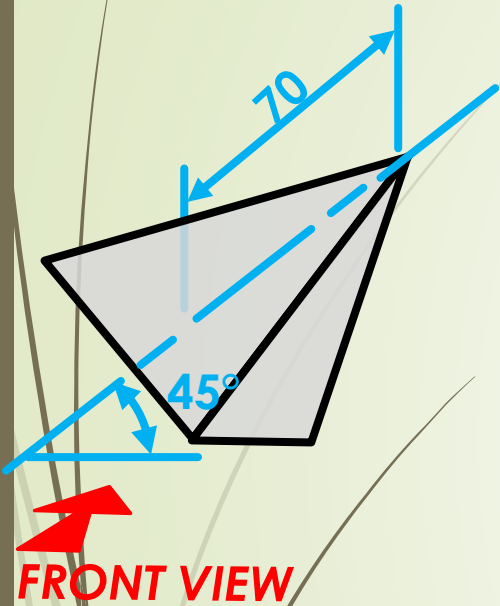
Question:

In F.A.O.P. draw...

1. A front view
2. A left view
3. A top view



Application on pyramids and prisms



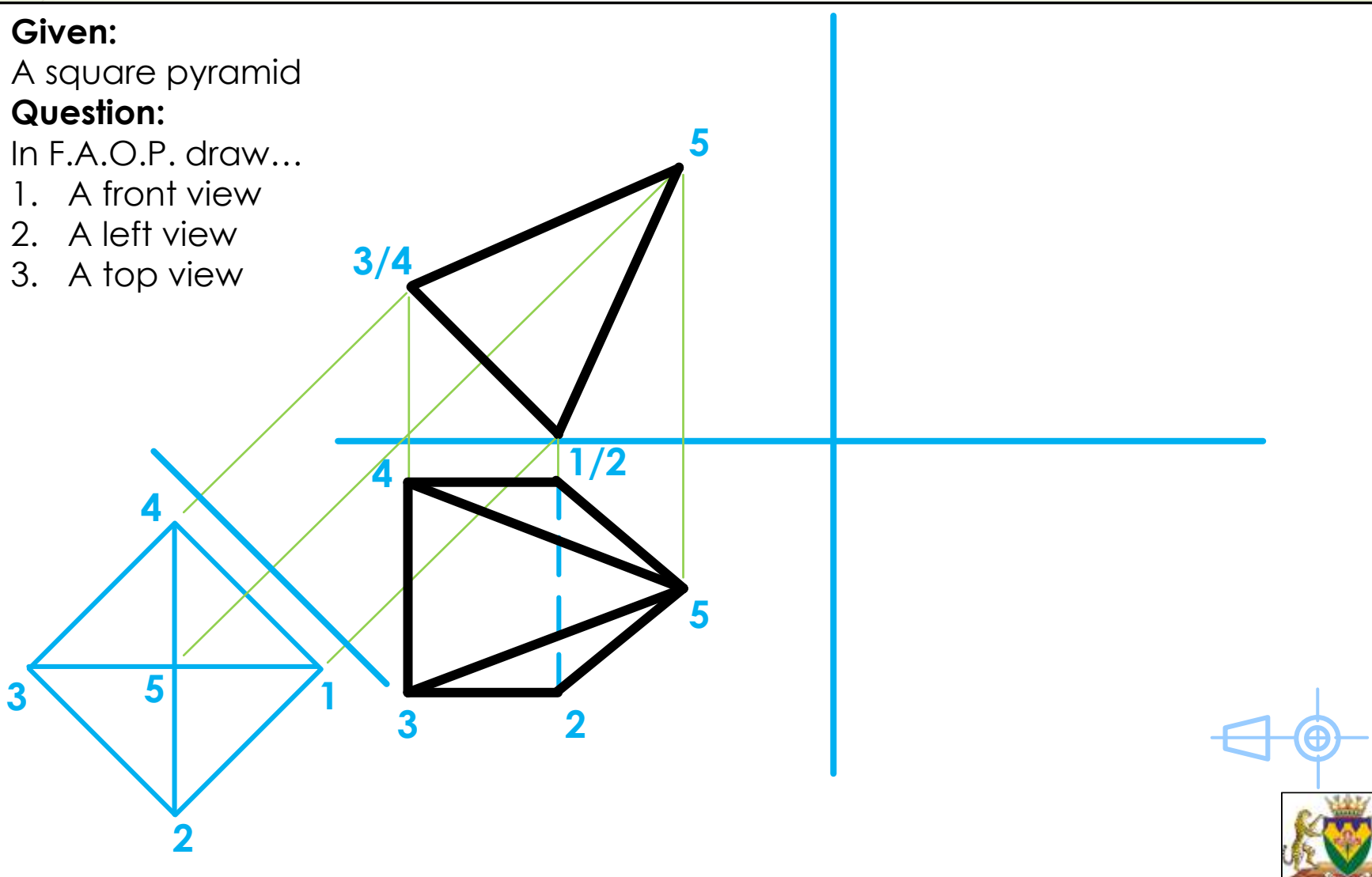
Given:

A square pyramid

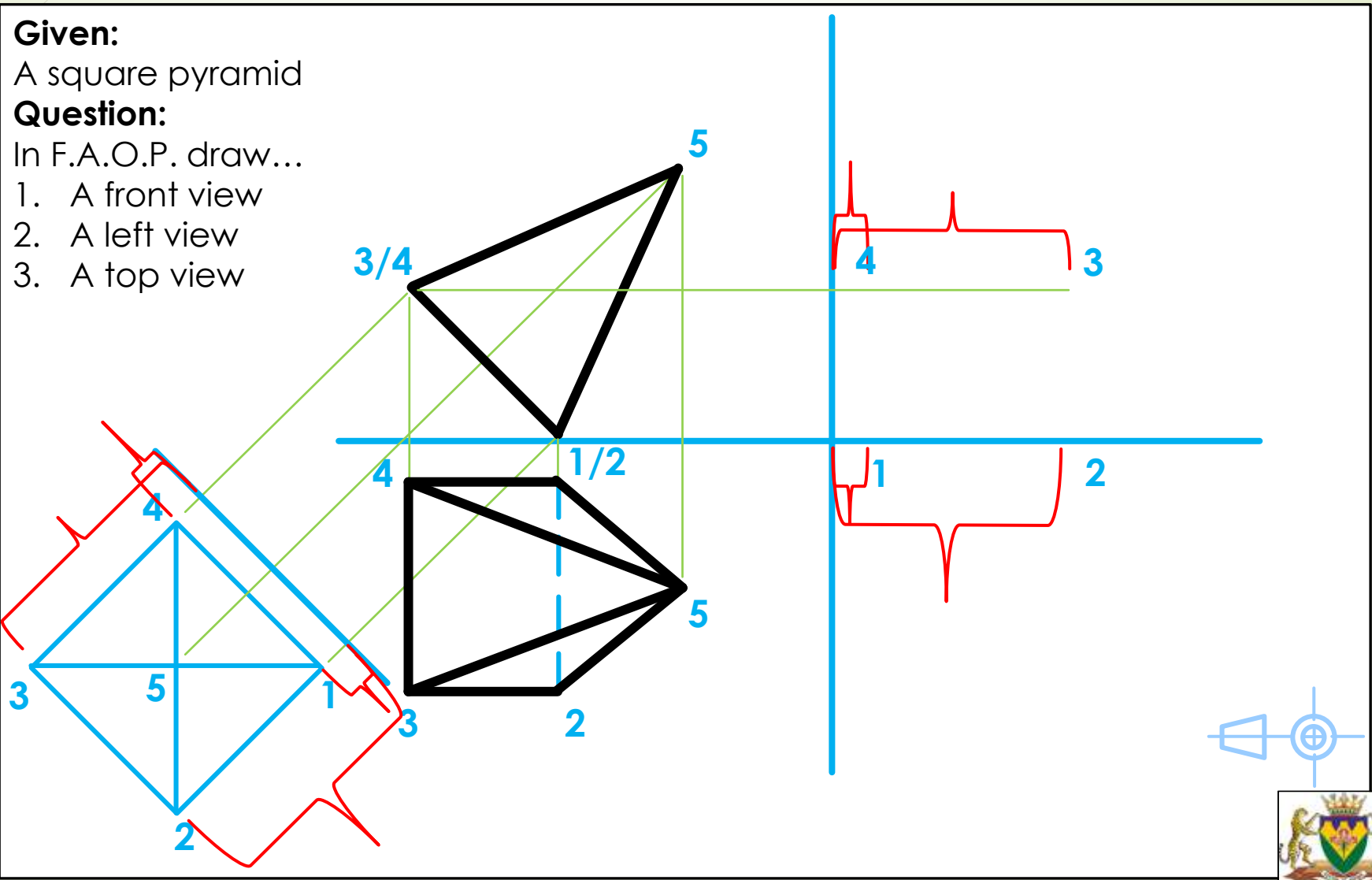
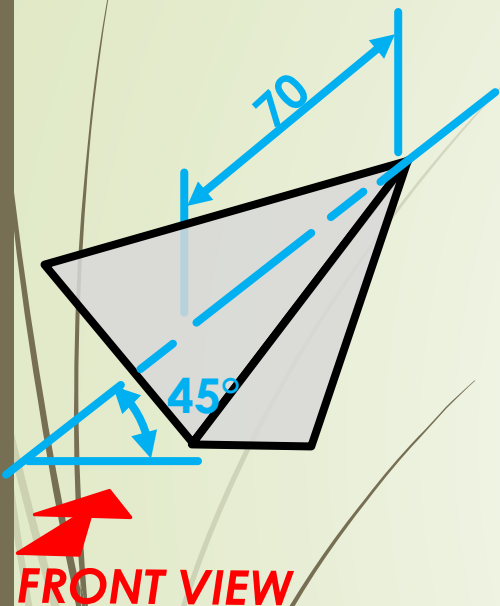
Question:

In F.A.O.P. draw...

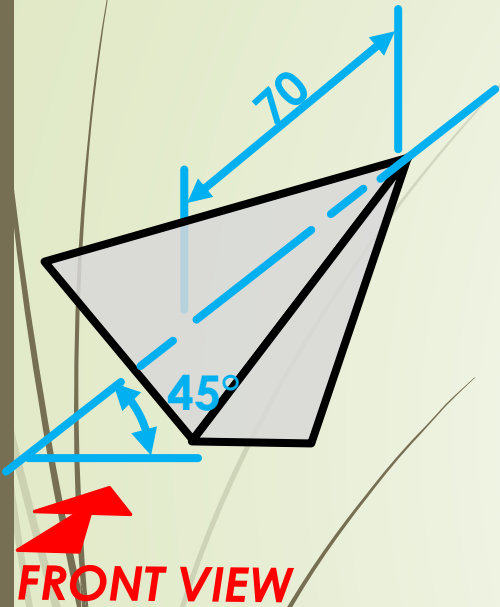
1. A front view
2. A left view
3. A top view



Application on pyramids and prisms



Application on pyramids and prisms



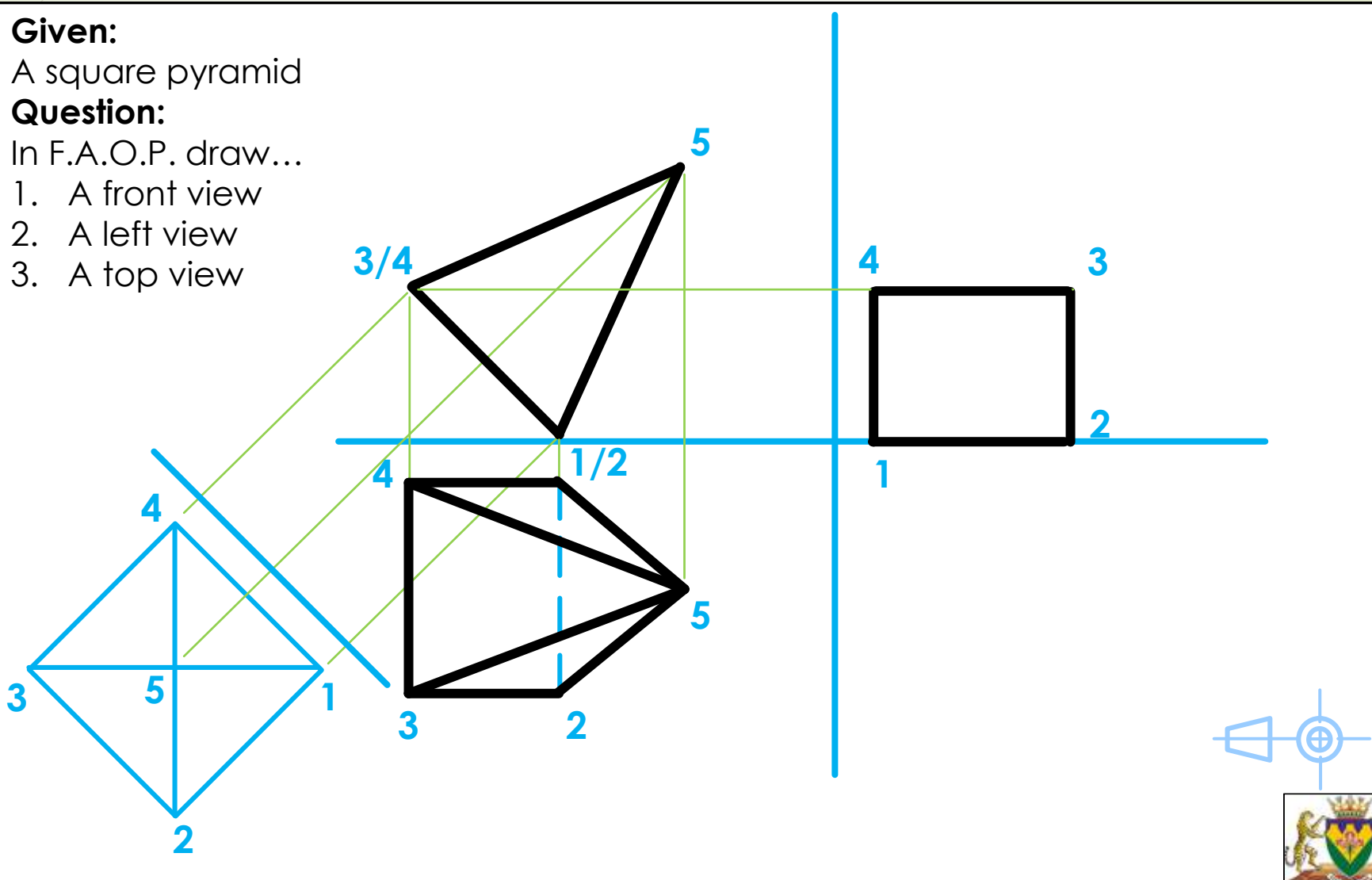
Given:

A square pyramid

Question:

In F.A.O.P. draw...

1. A front view
2. A left view
3. A top view



Application on pyramids and prisms

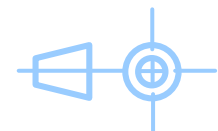
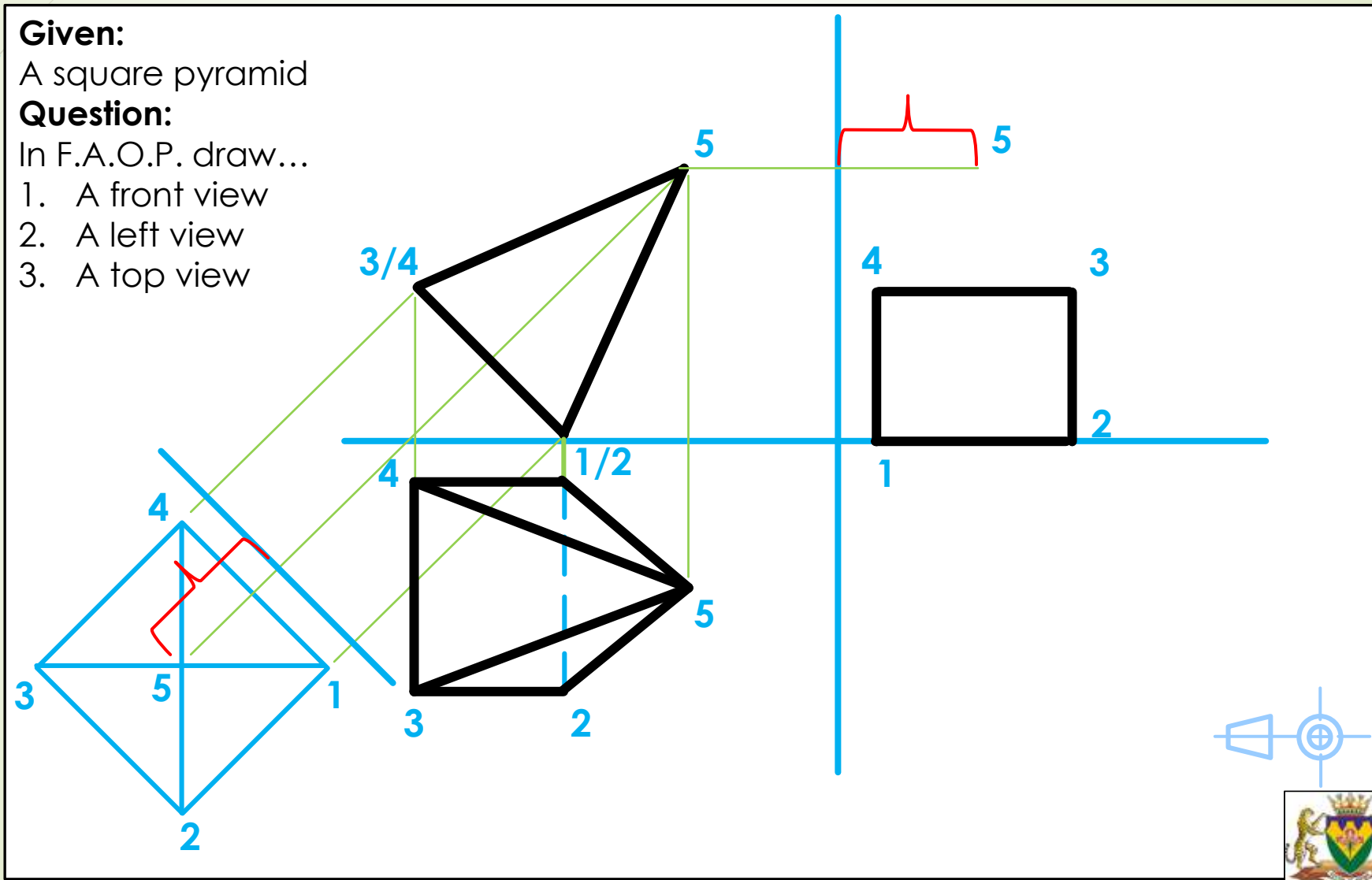
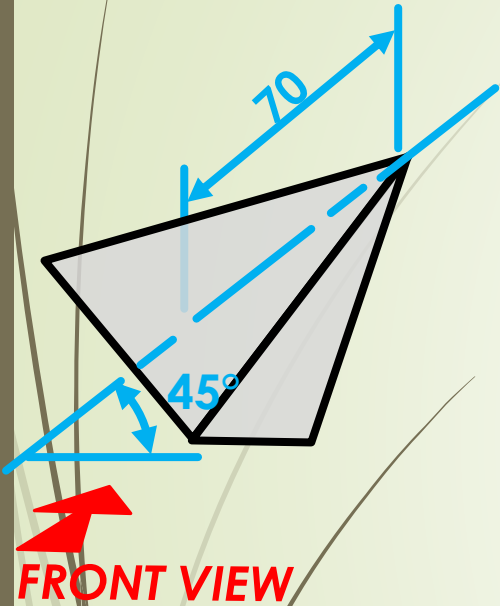
Given:

A square pyramid

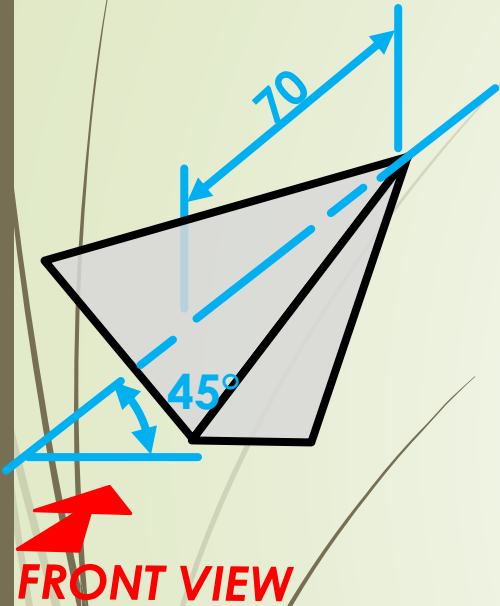
Question:

In F.A.O.P. draw...

1. A front view
2. A left view
3. A top view



Application on pyramids and prisms



Given:

A square pyramid

Question:

In F.A.O.P. draw...

1. A front view
2. A left view
3. A top view

