



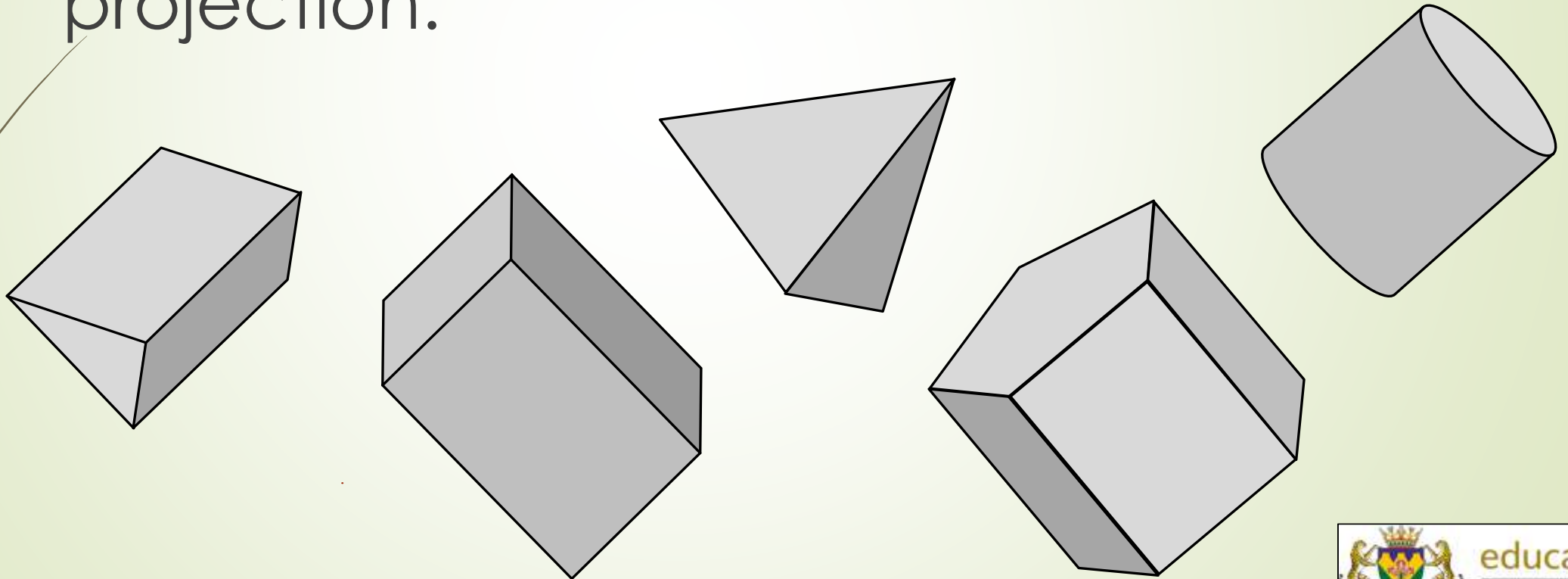
# Application on polygons Inclined Axis (Cylinders & Cones)

## Grade 10, 11 & 12

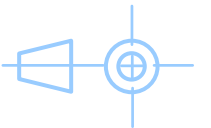
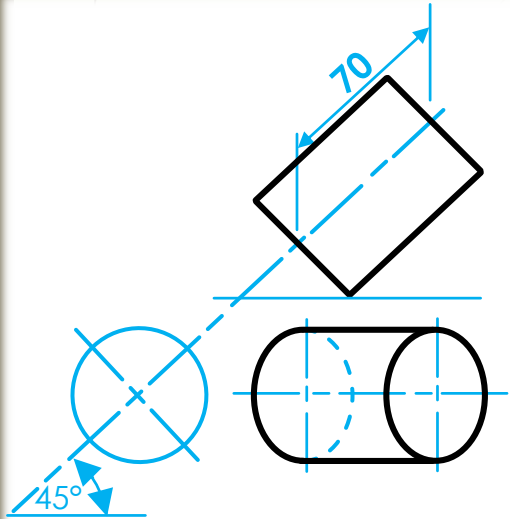
Developed by: PC Viljoen  
Senior Educational Specialist for  
Engineering Graphics and Design  
Free State Province

# Application on cylinders and cones

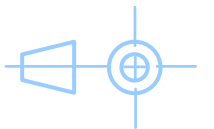
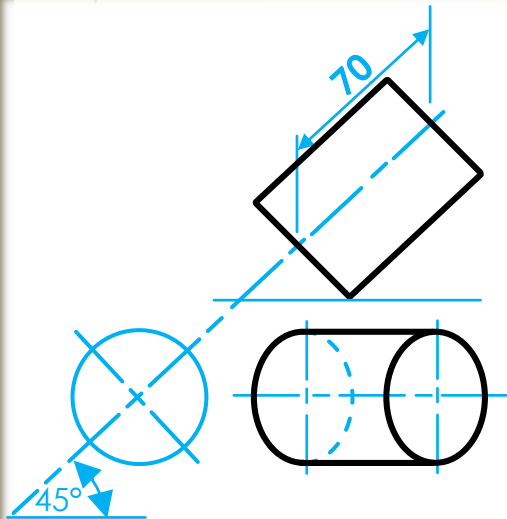
- ➔ Draw inclined pyramids, prisms, cones and cylinders in first angle orthographic projection.



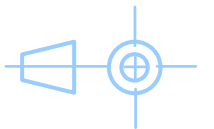
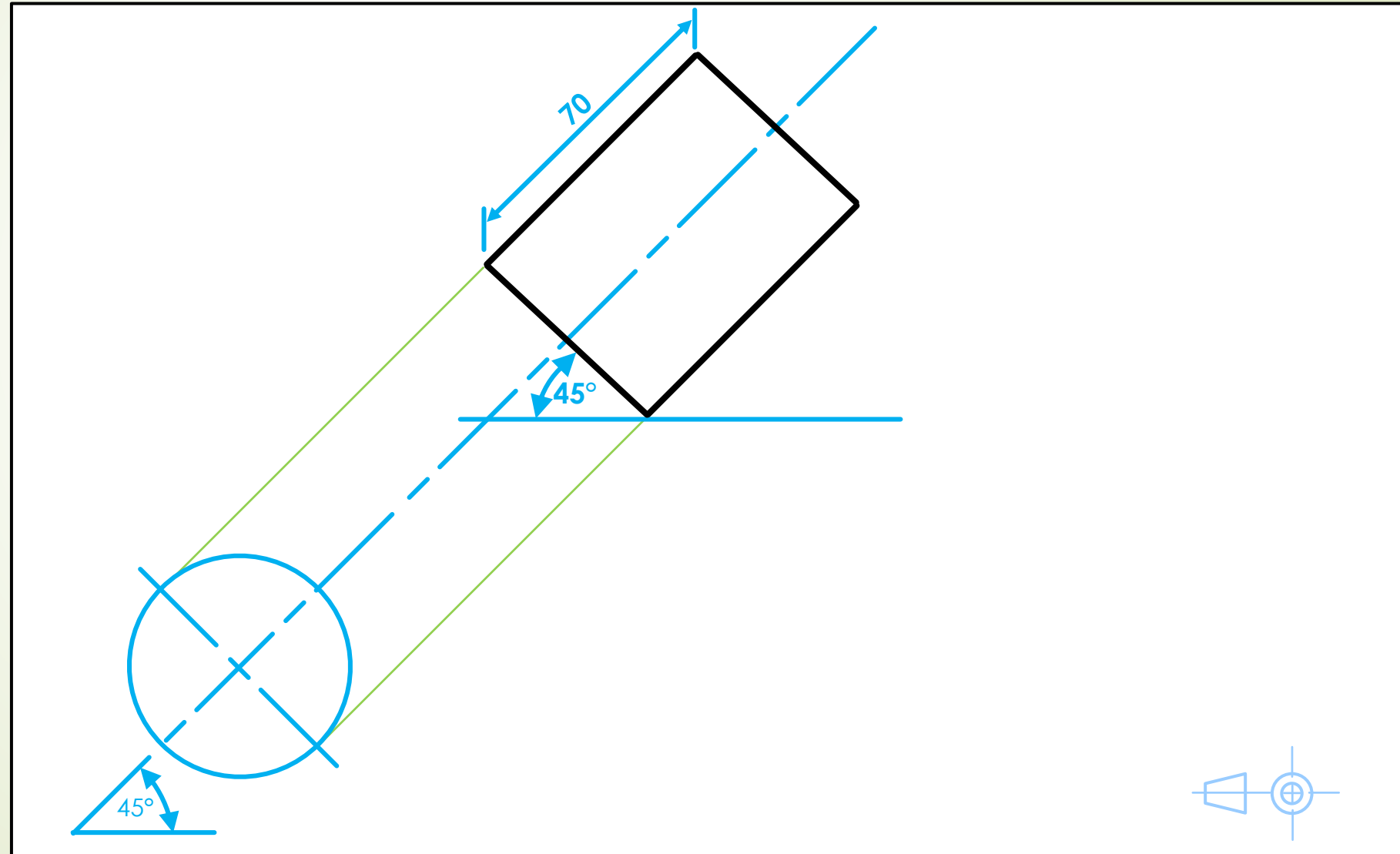
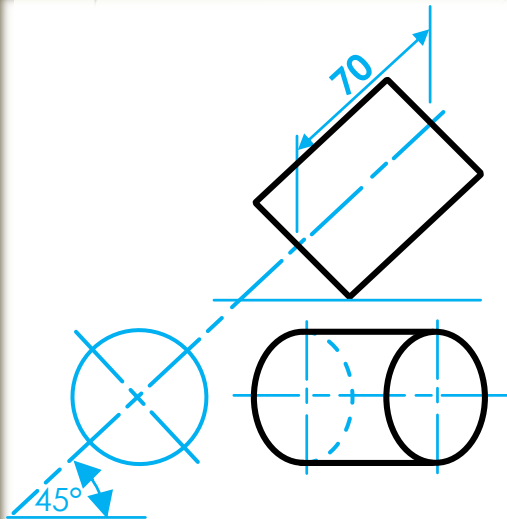
# Application on cylinders and cones



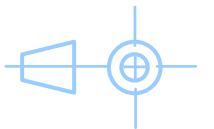
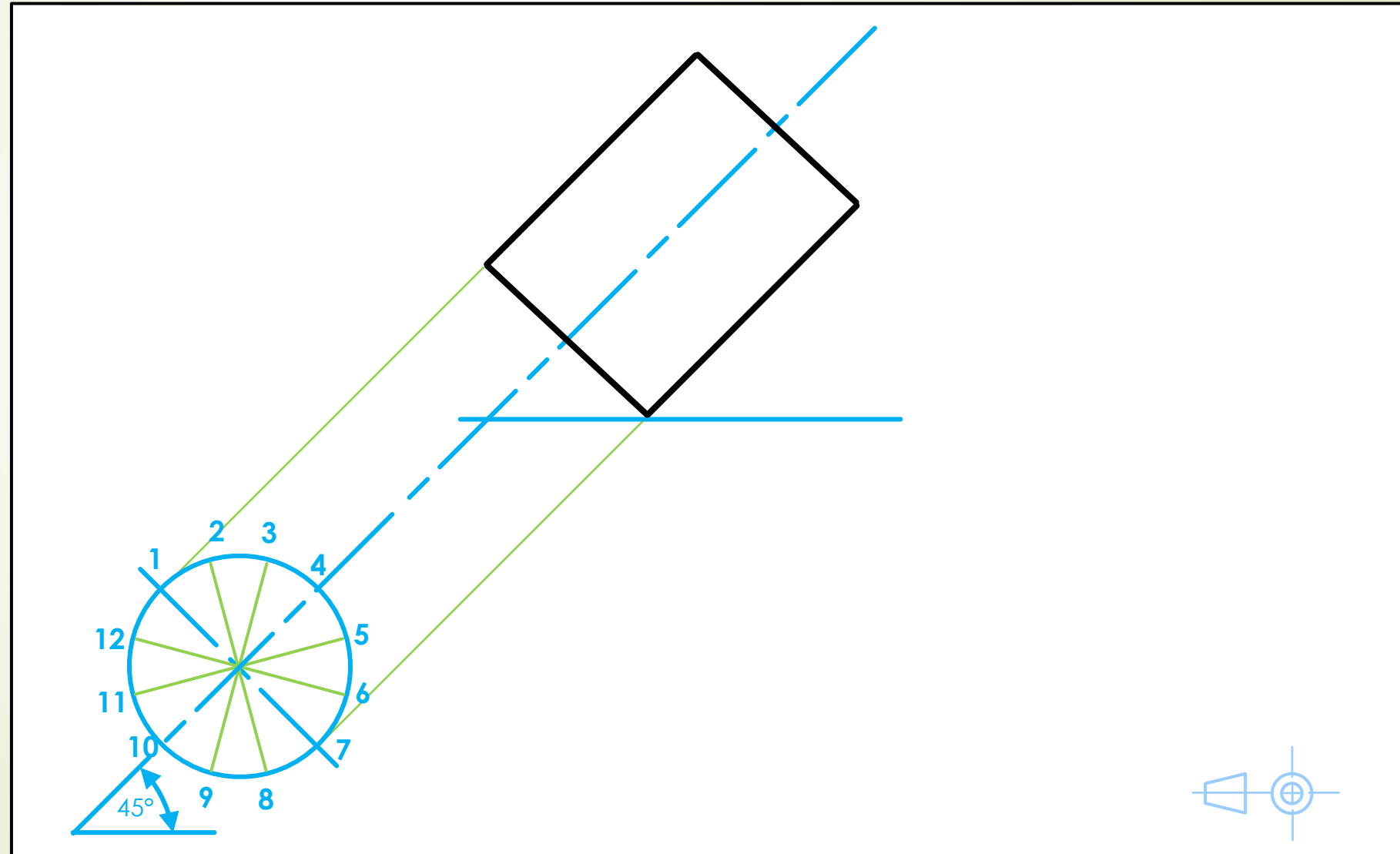
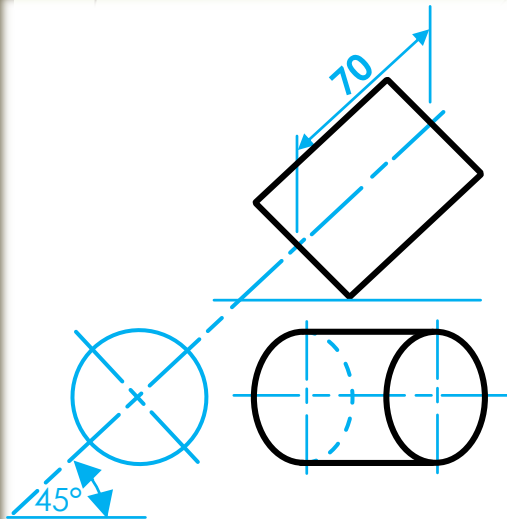
# Application on cylinders and cones



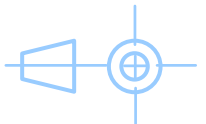
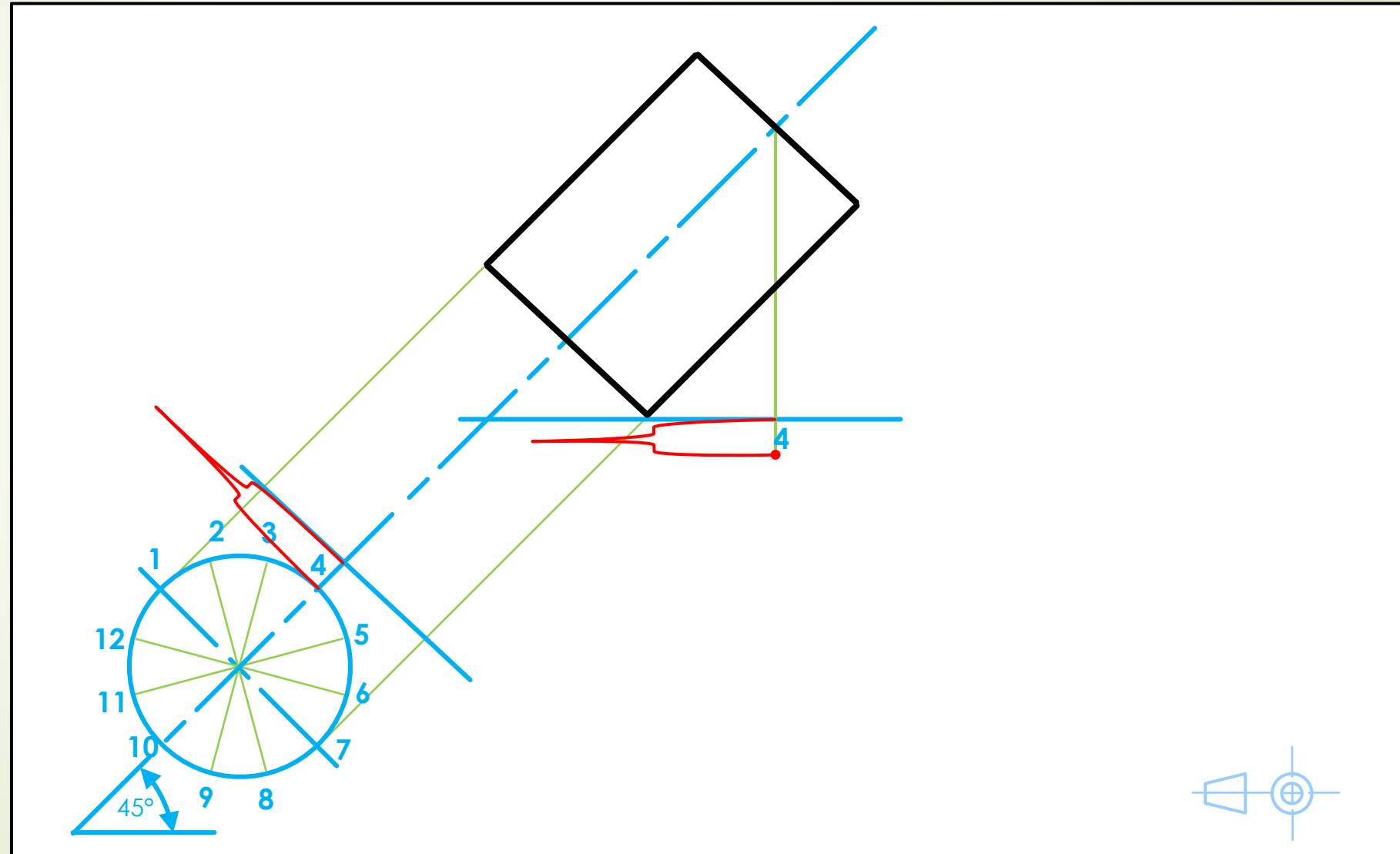
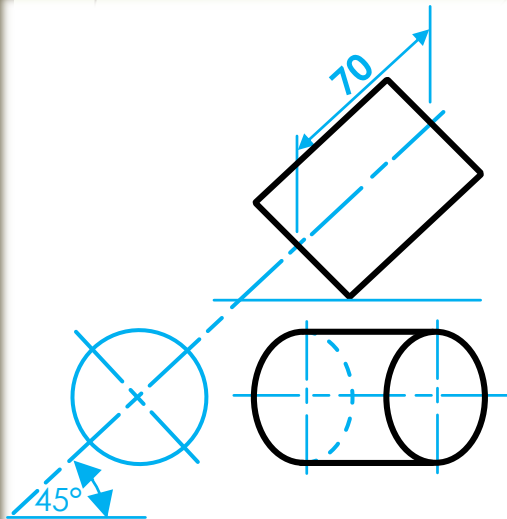
# Application on cylinders and cones



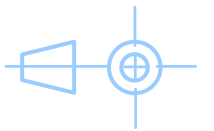
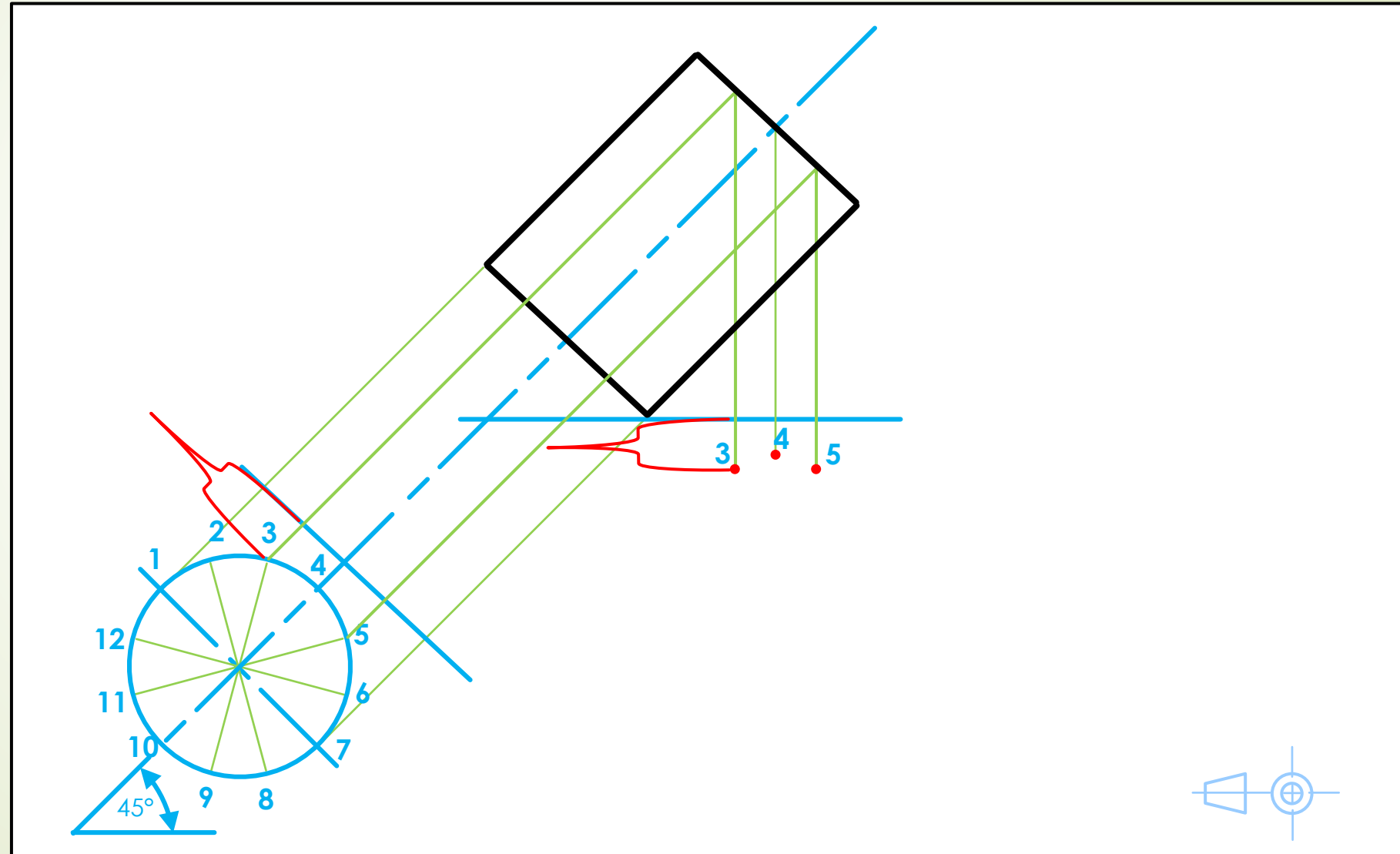
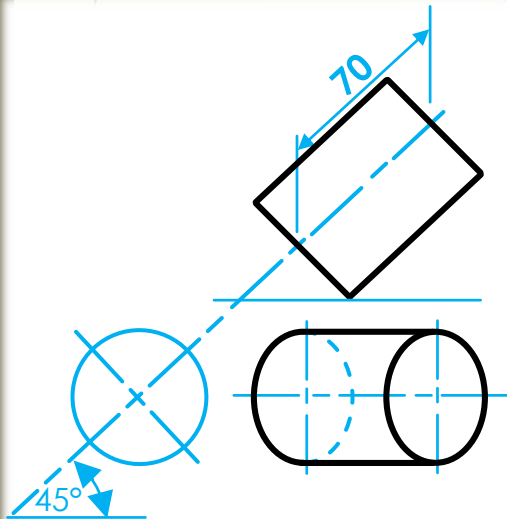
# Application on cylinders and cones



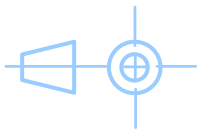
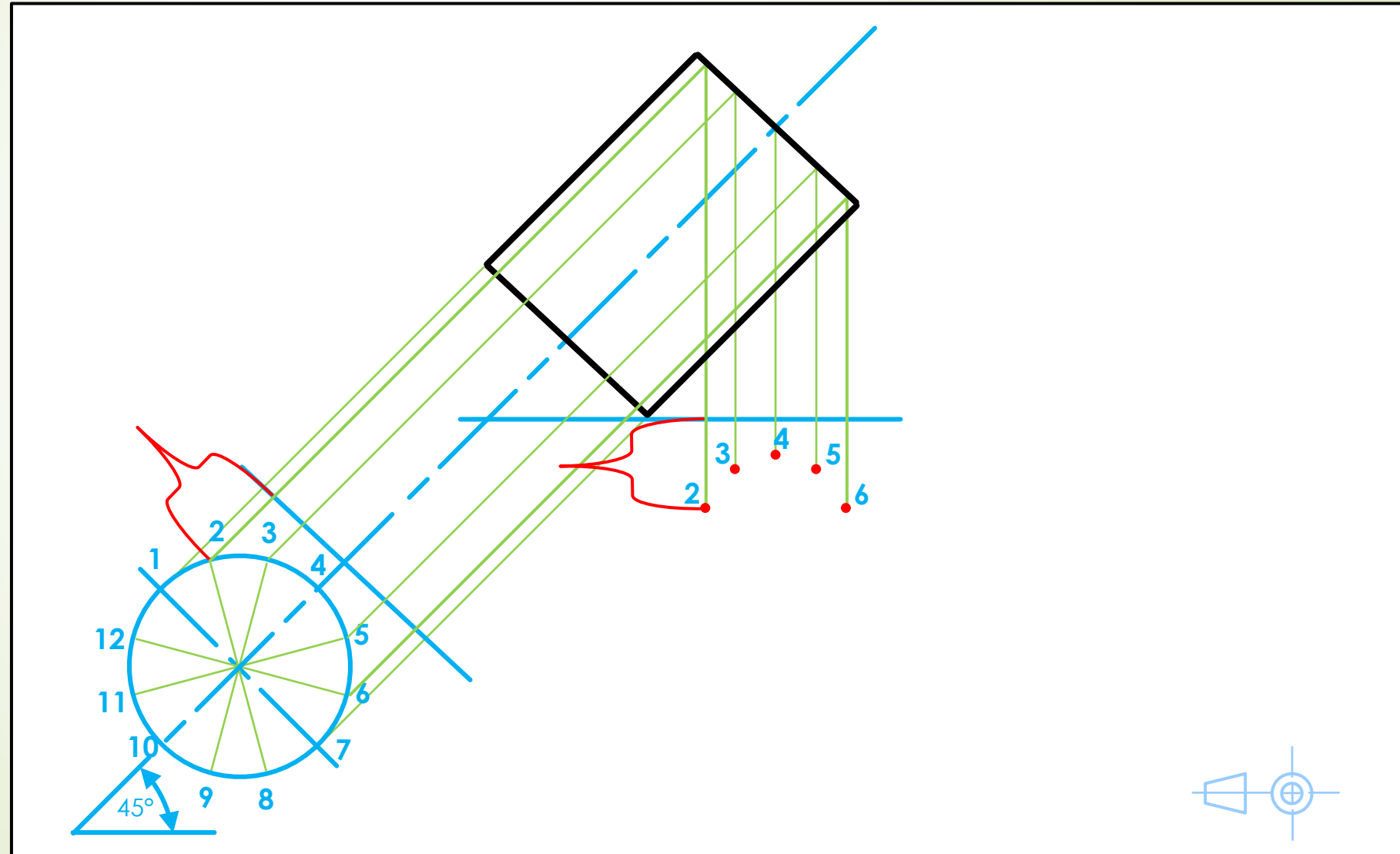
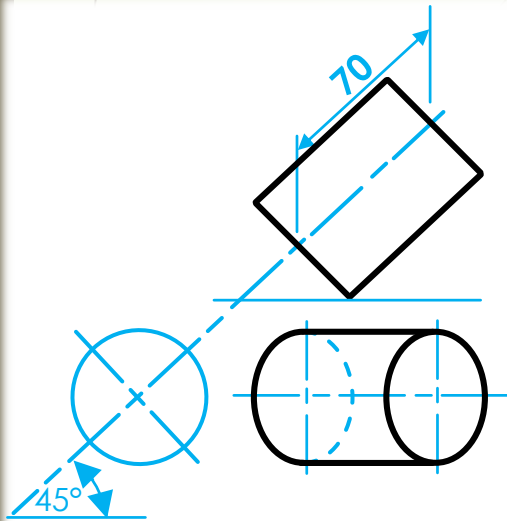
# Application on cylinders and cones



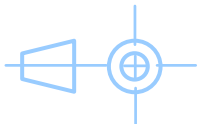
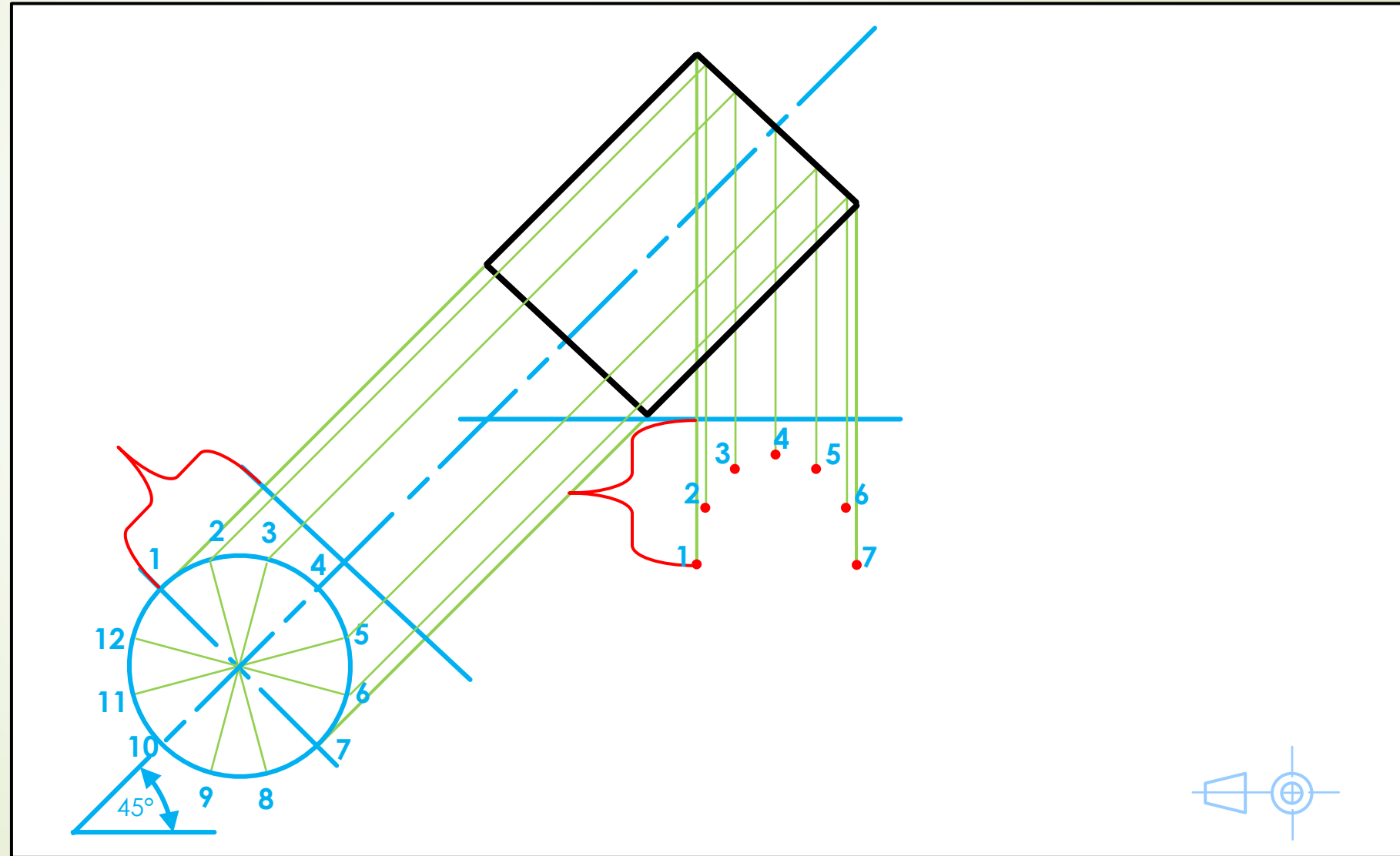
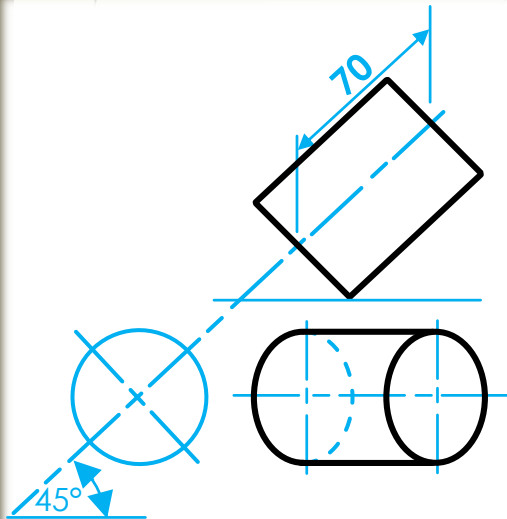
# Application on cylinders and cones



# Application on cylinders and cones

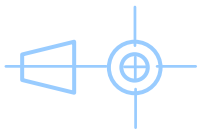
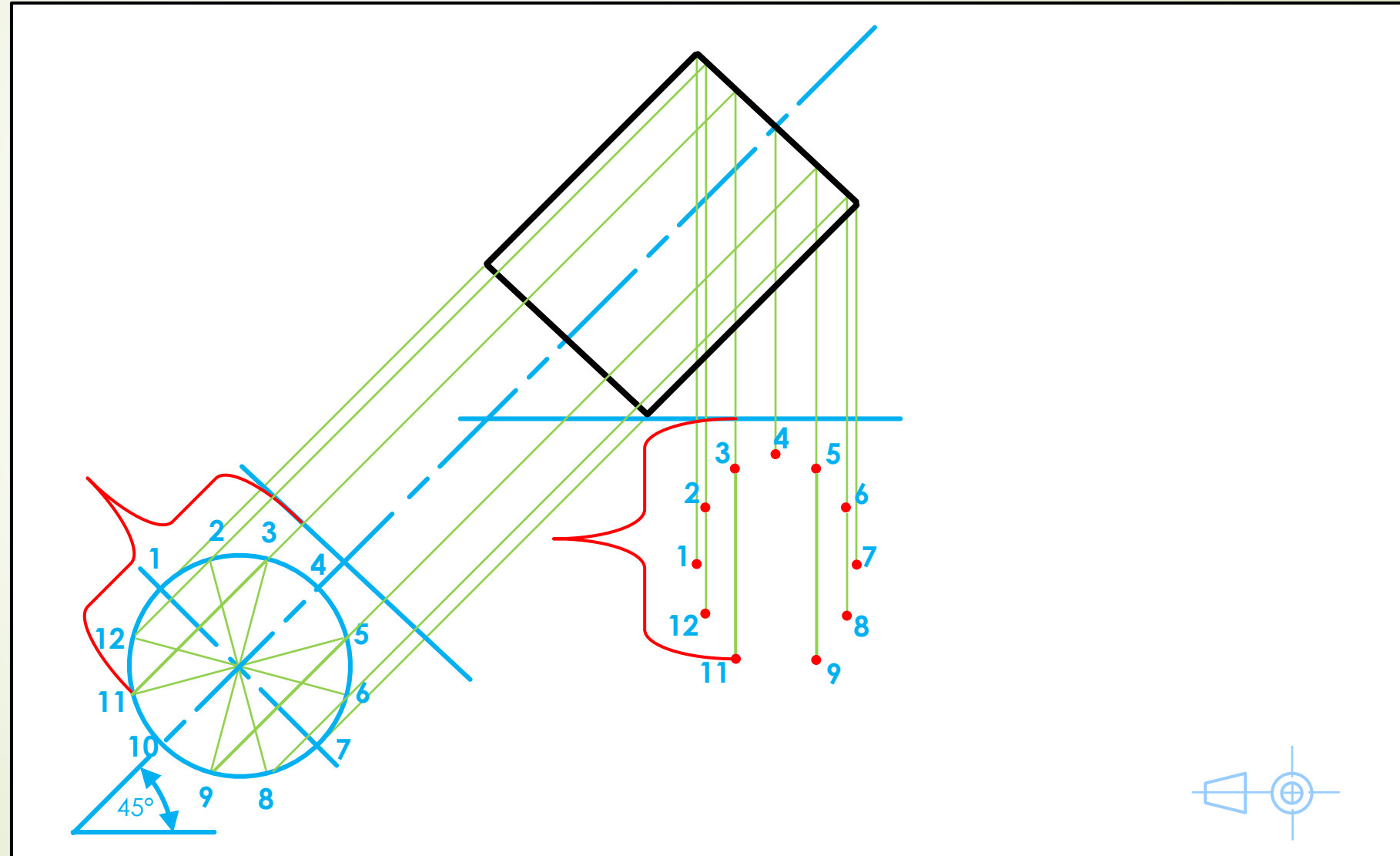
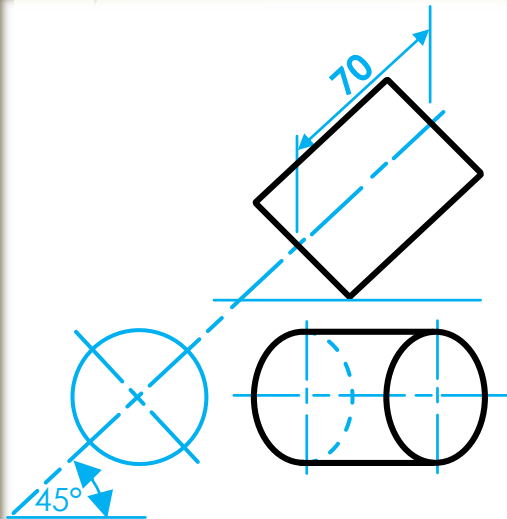


# Application on cylinders and cones

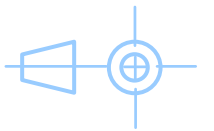
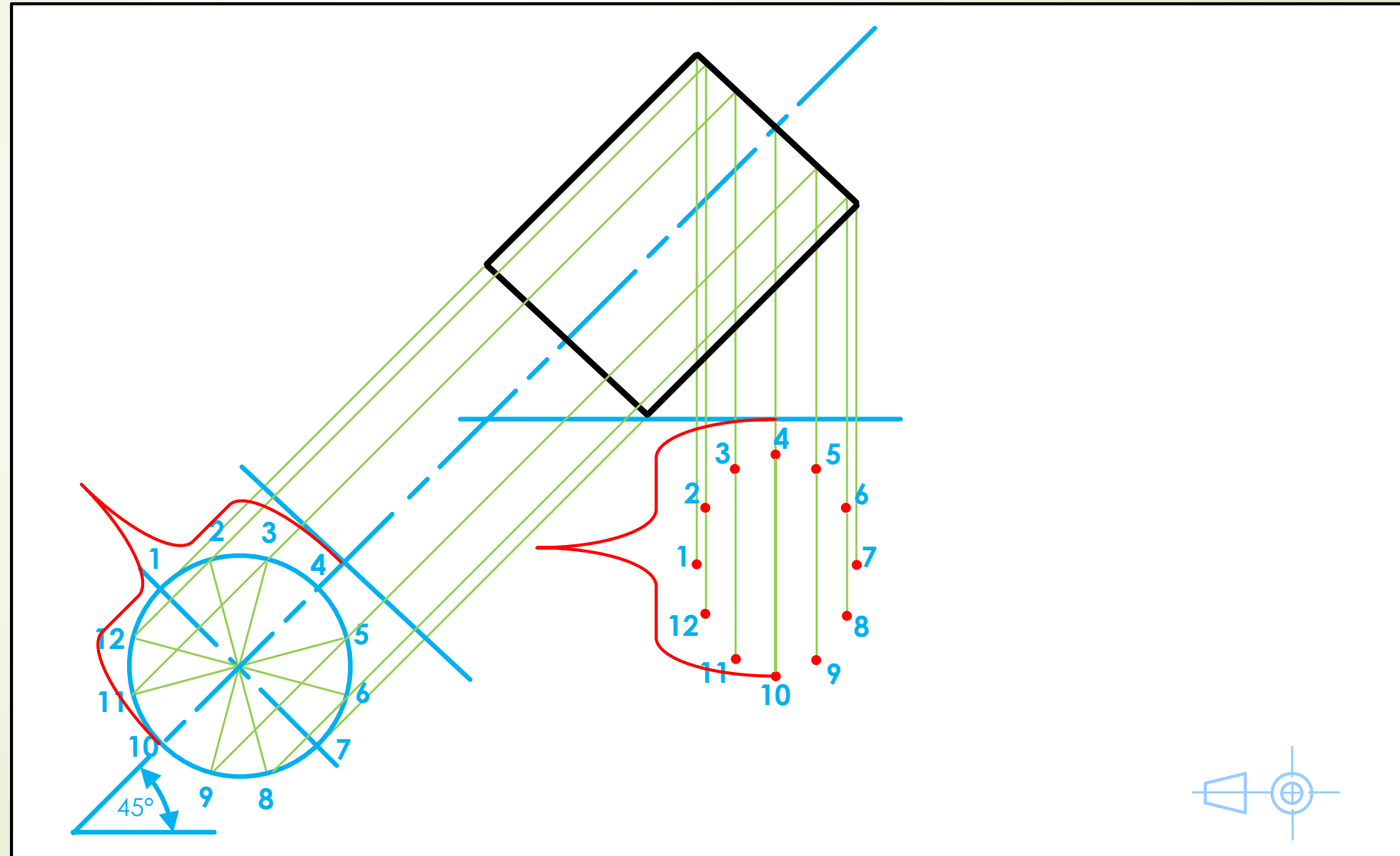
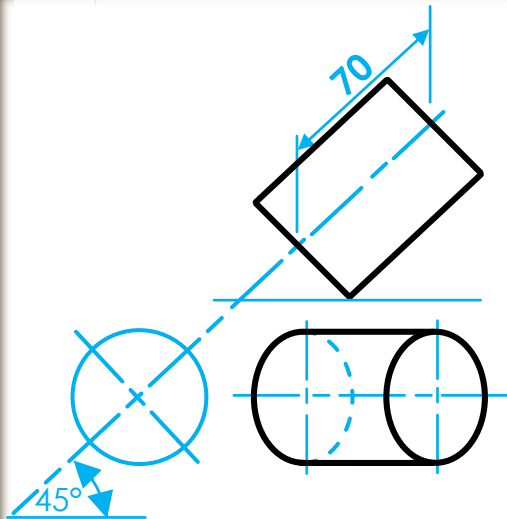




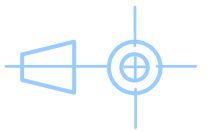
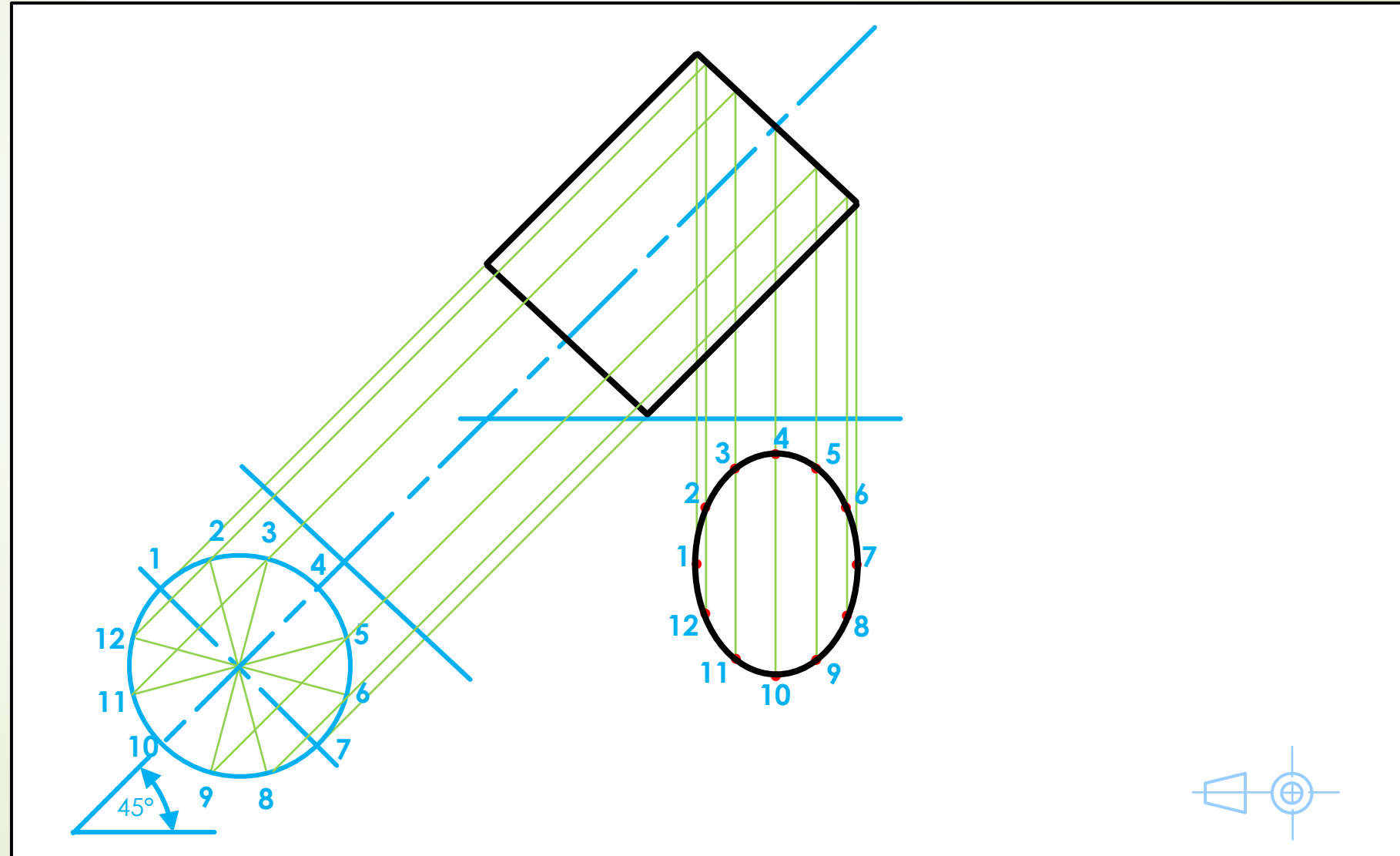
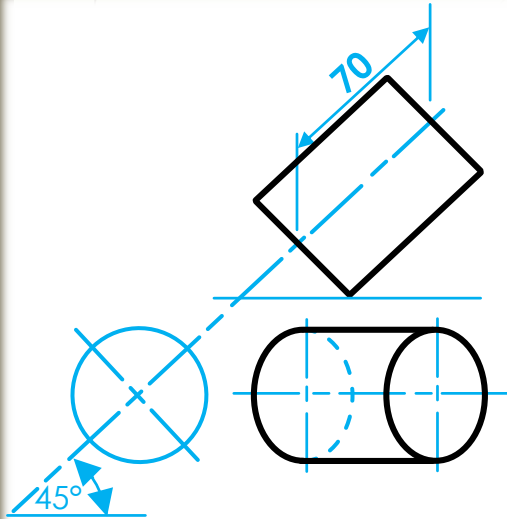
# Application on cylinders and cones



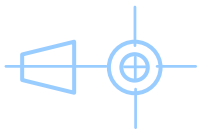
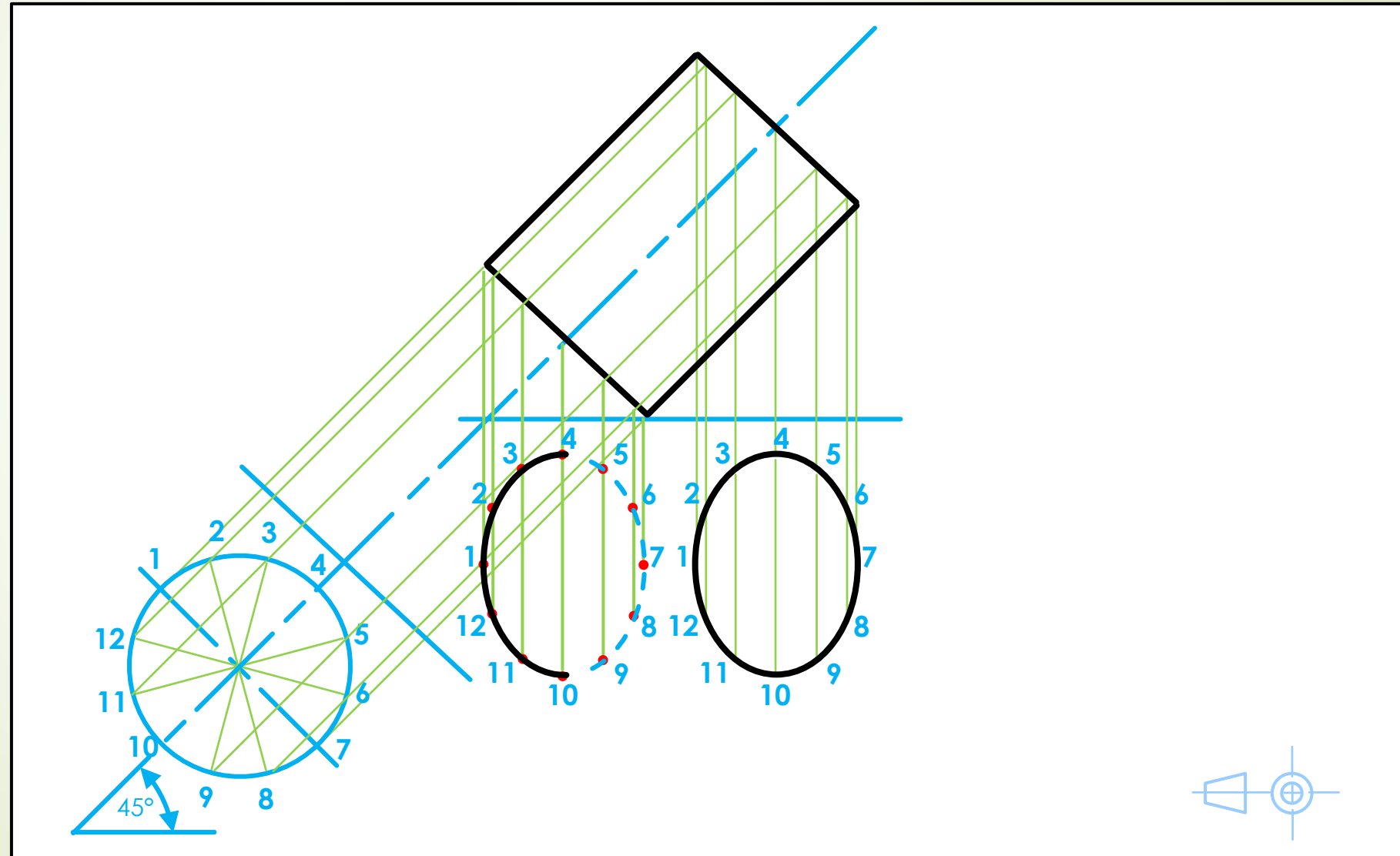
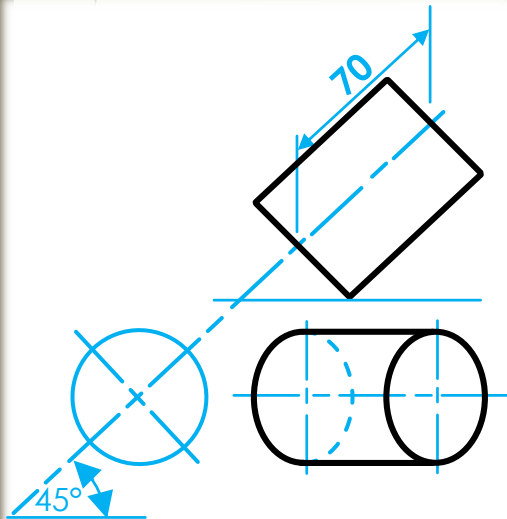
# Application on cylinders and cones



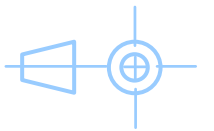
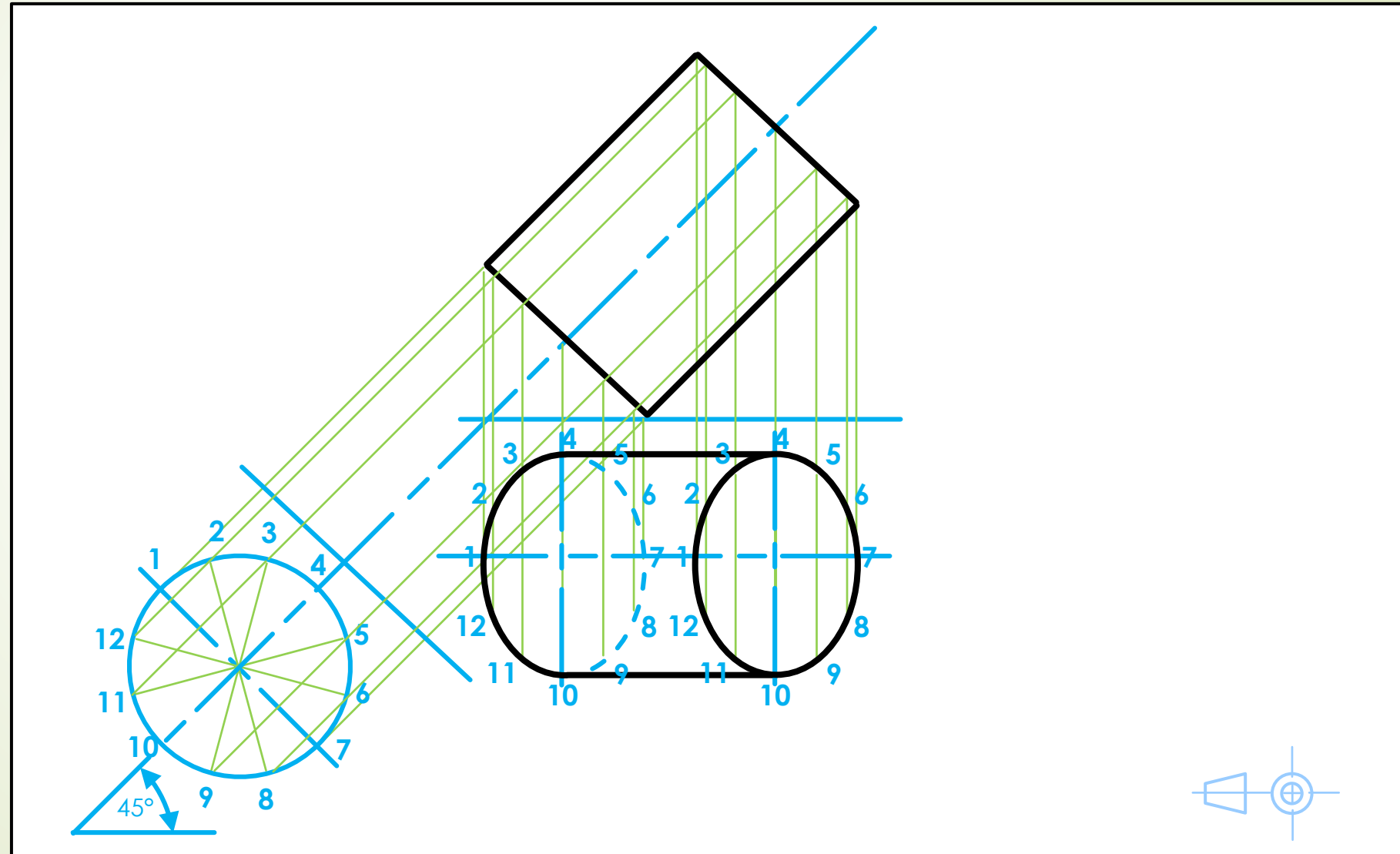
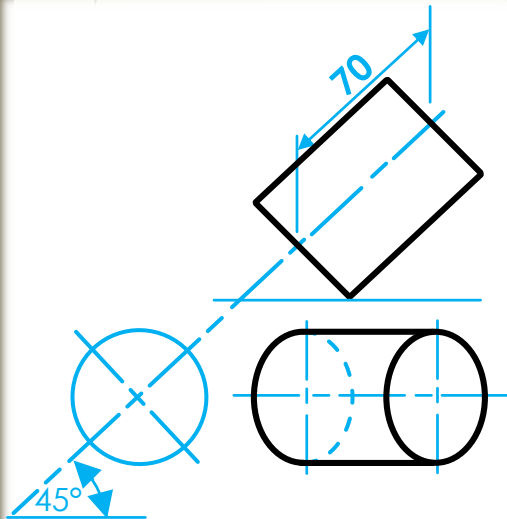
# Application on cylinders and cones



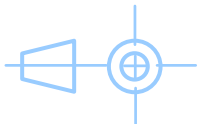
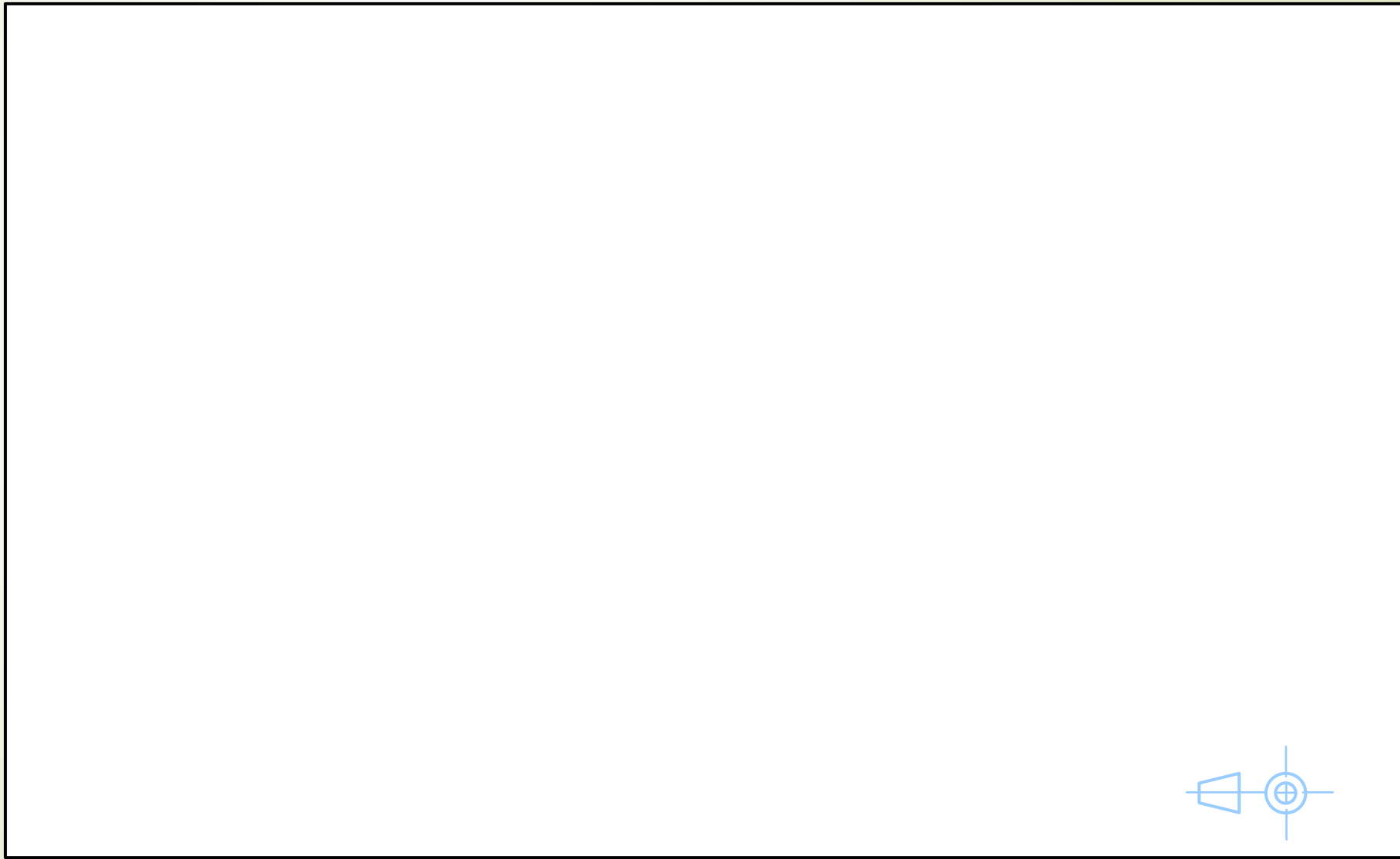
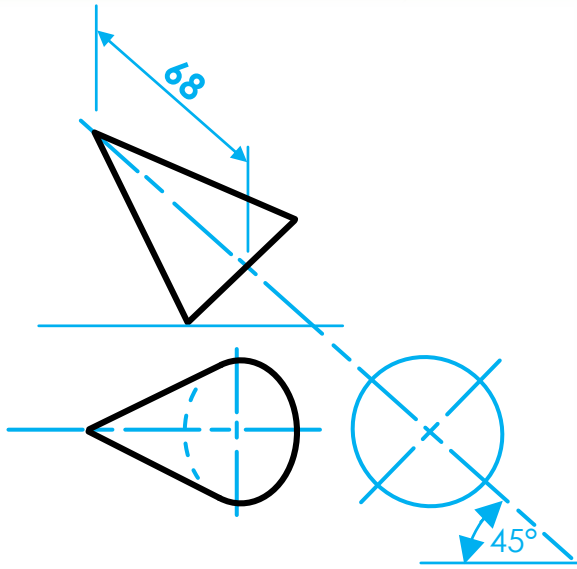
# Application on cylinders and cones



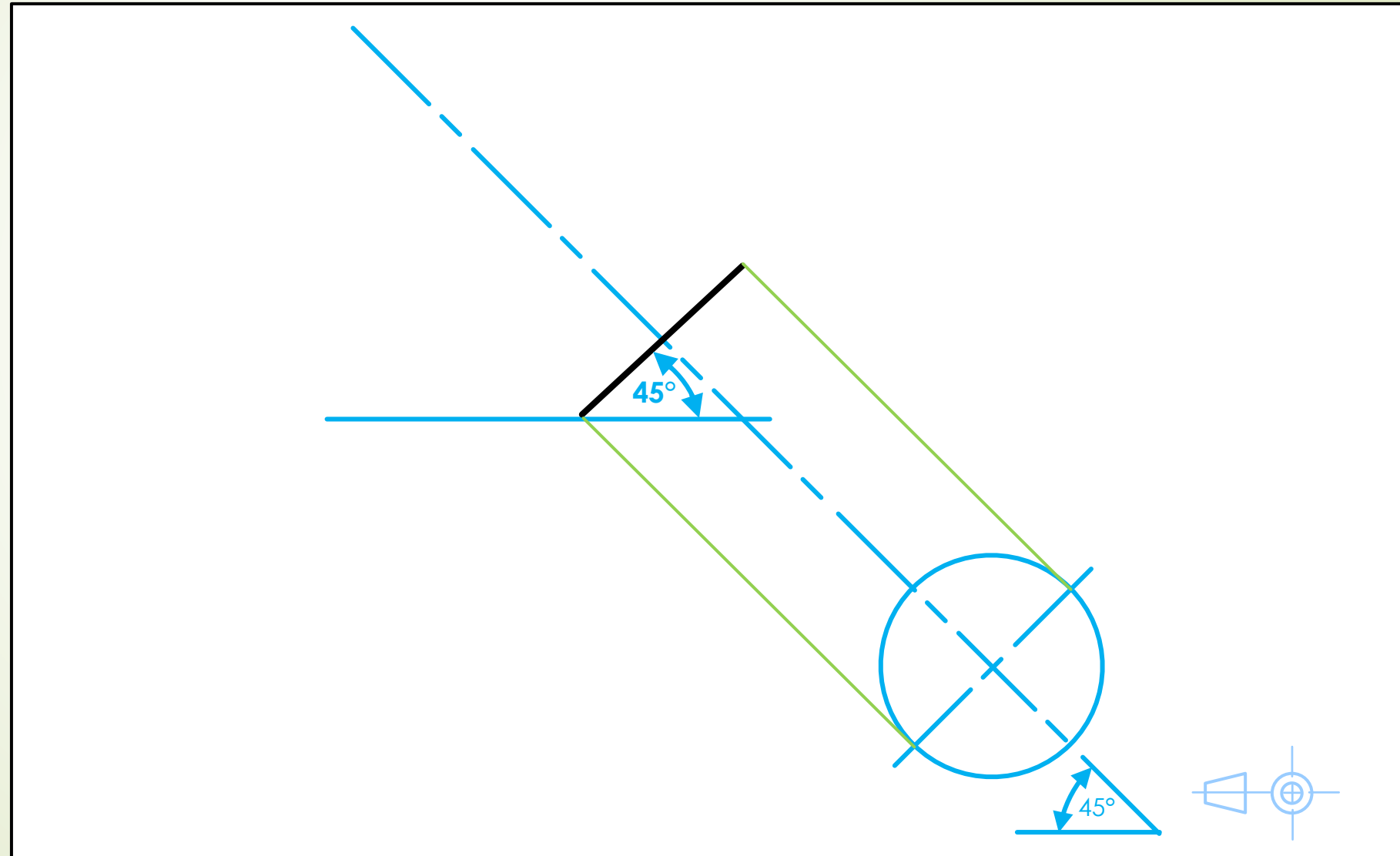
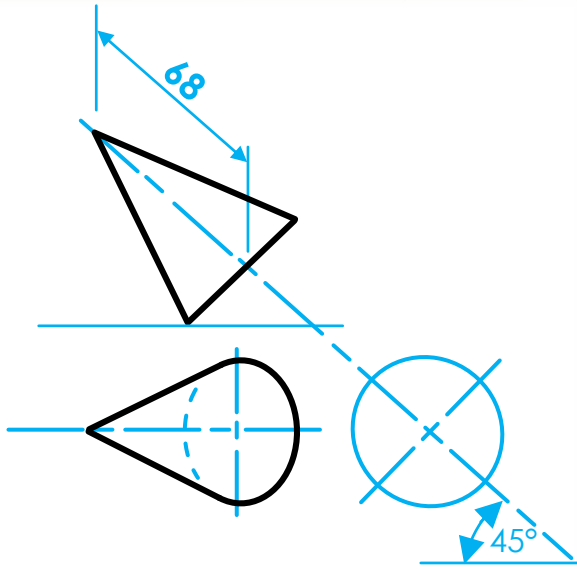
# Application on cylinders and cones



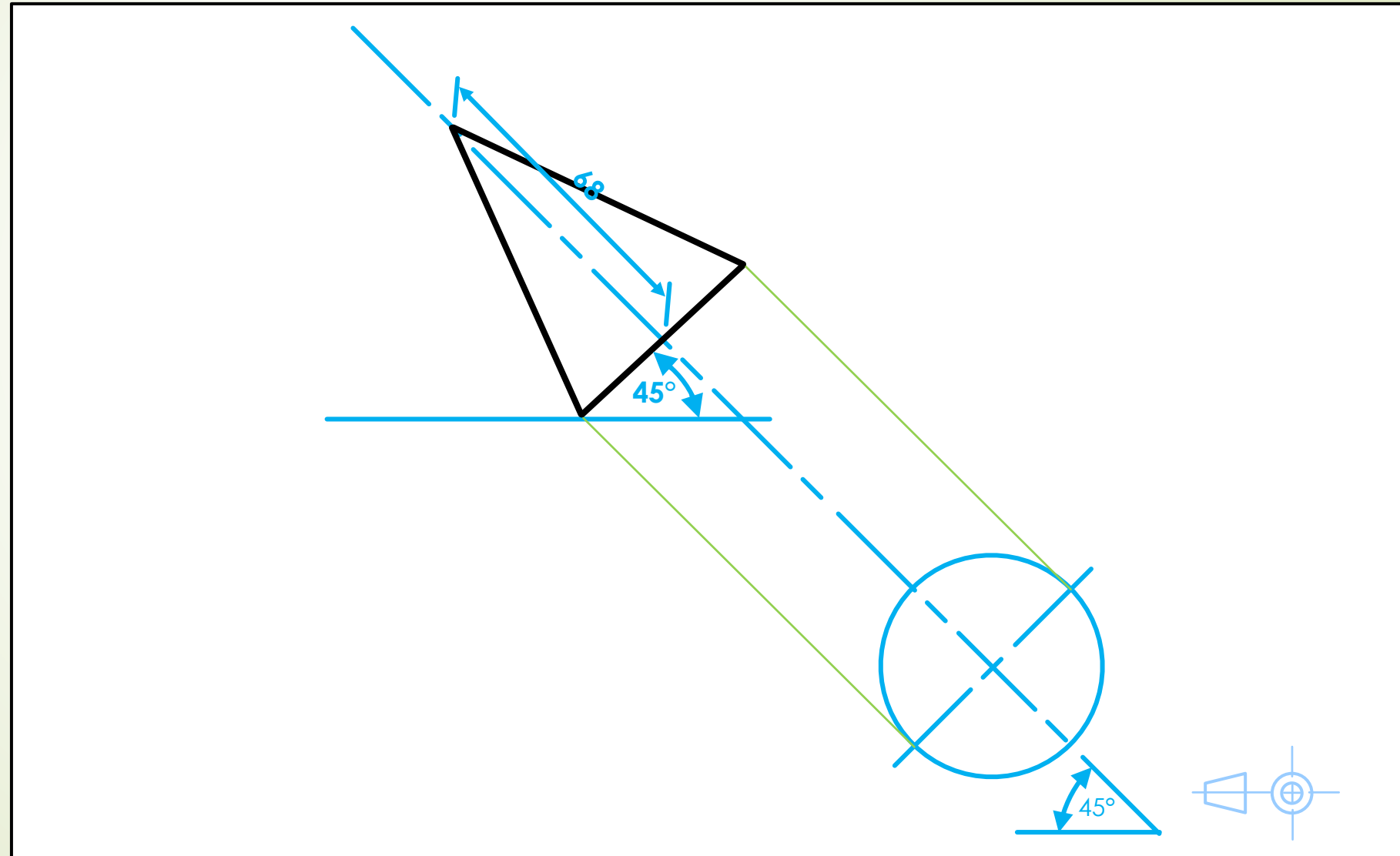
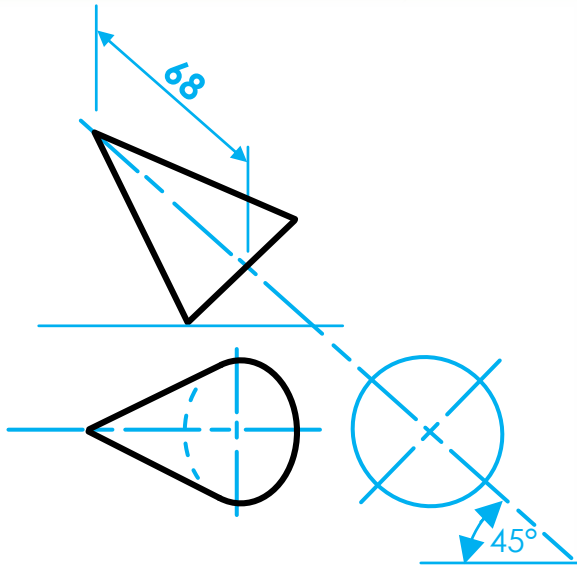
# Application on cylinders and cones



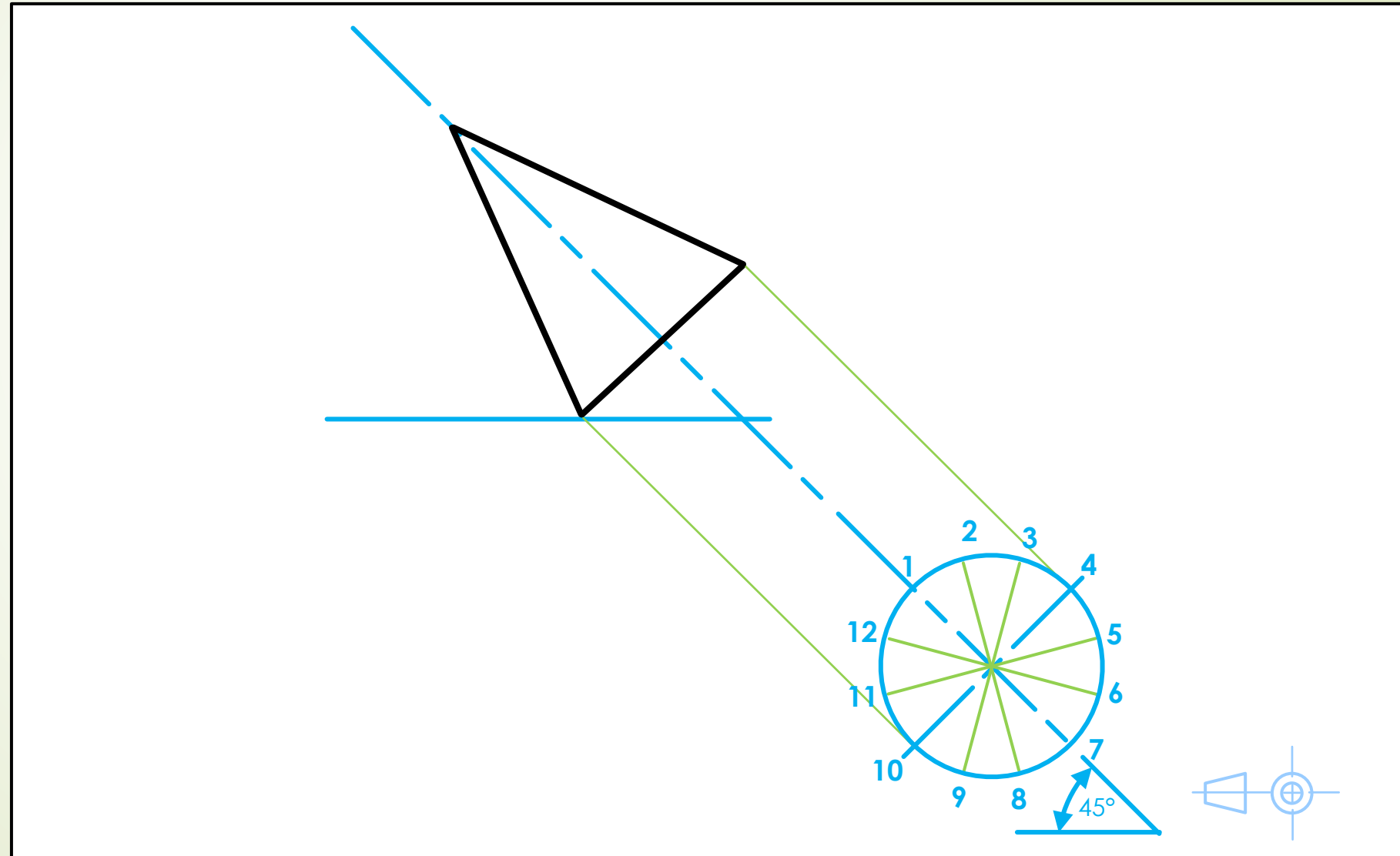
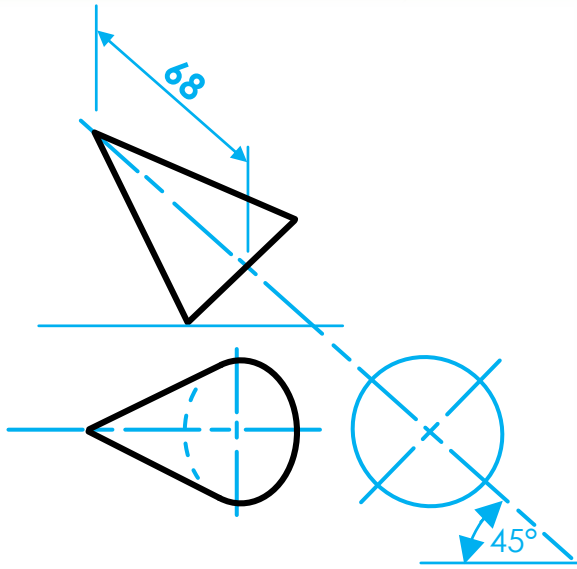
# Application on cylinders and cones



# Application on cylinders and cones

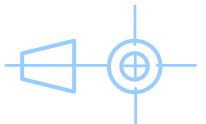
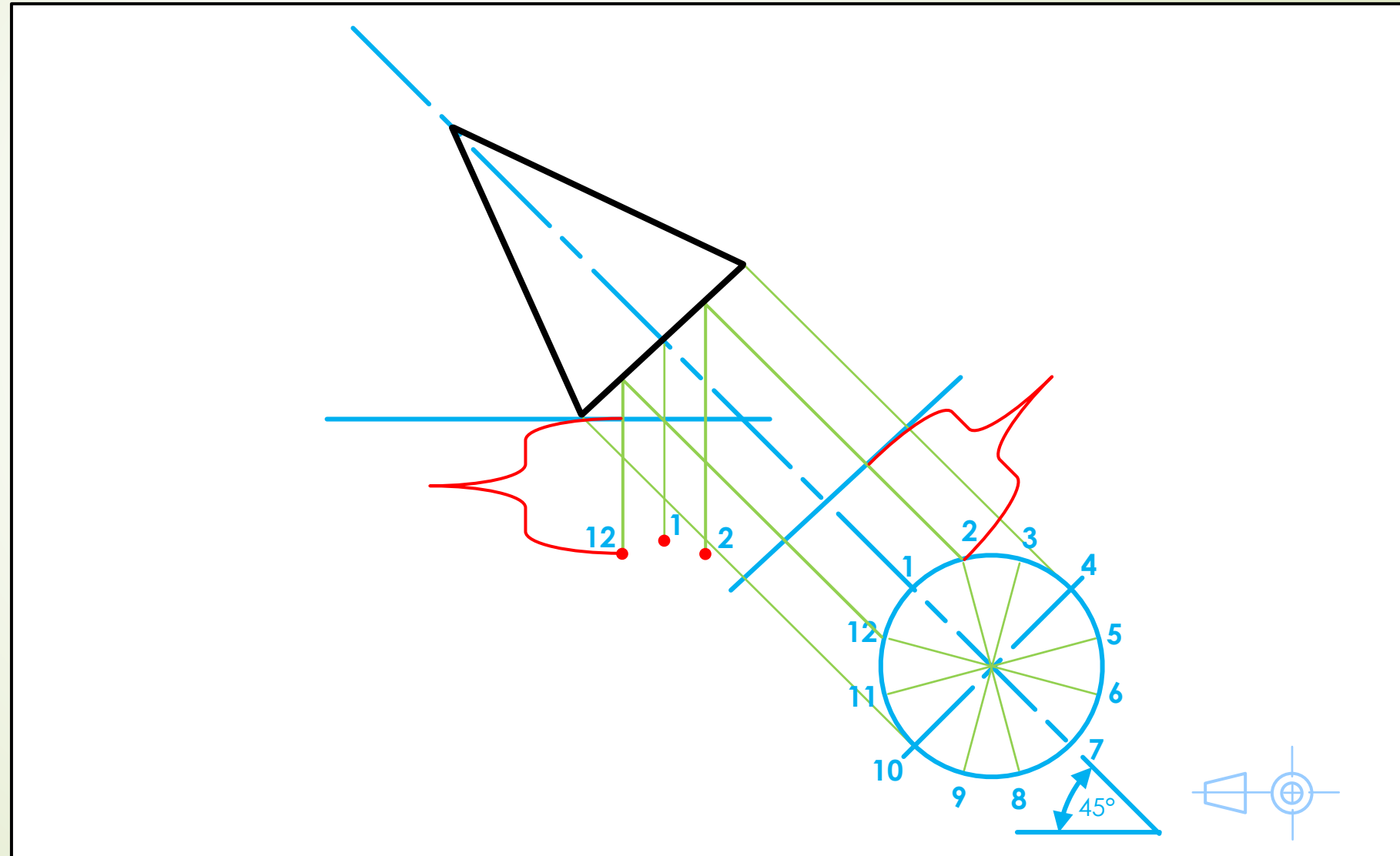
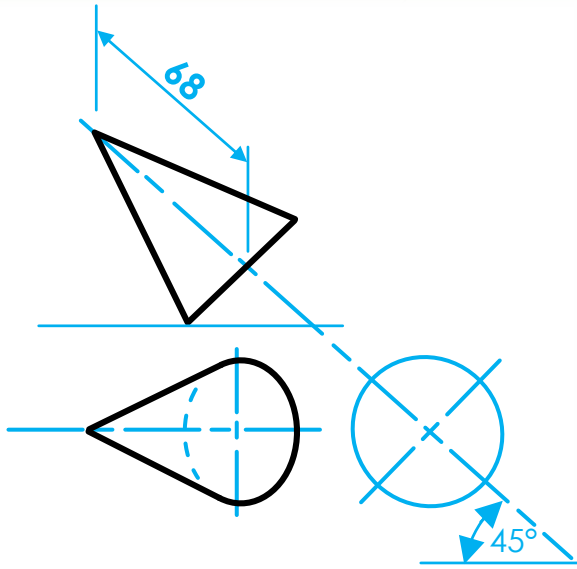


# Application on cylinders and cones

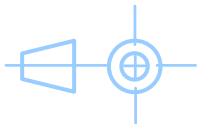
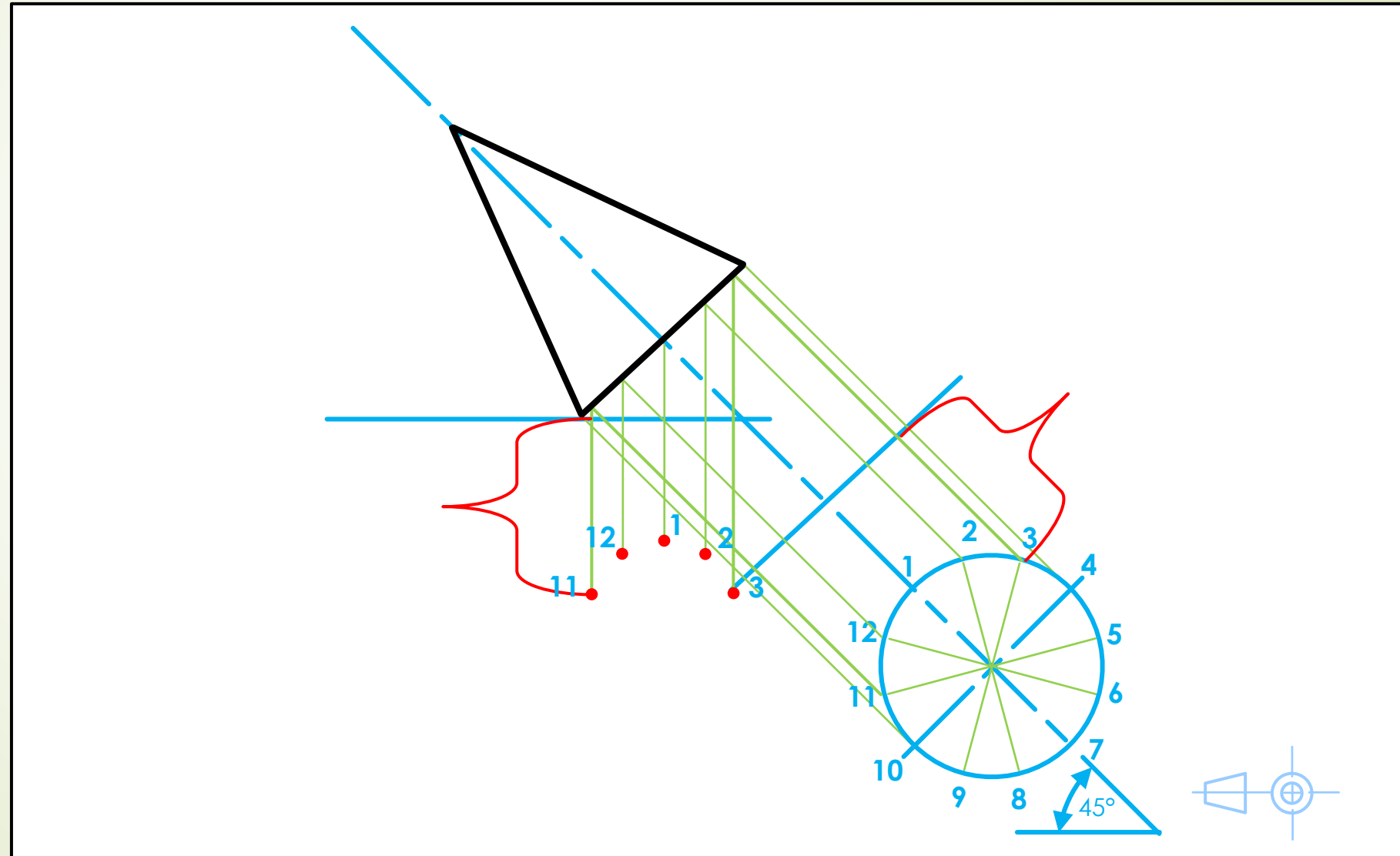
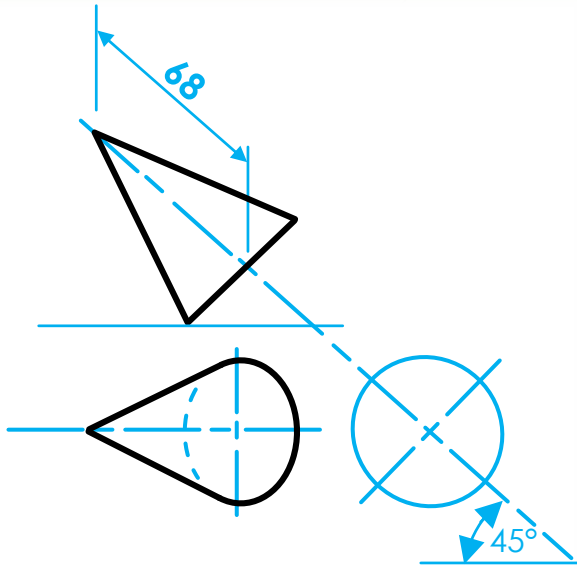




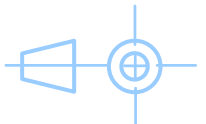
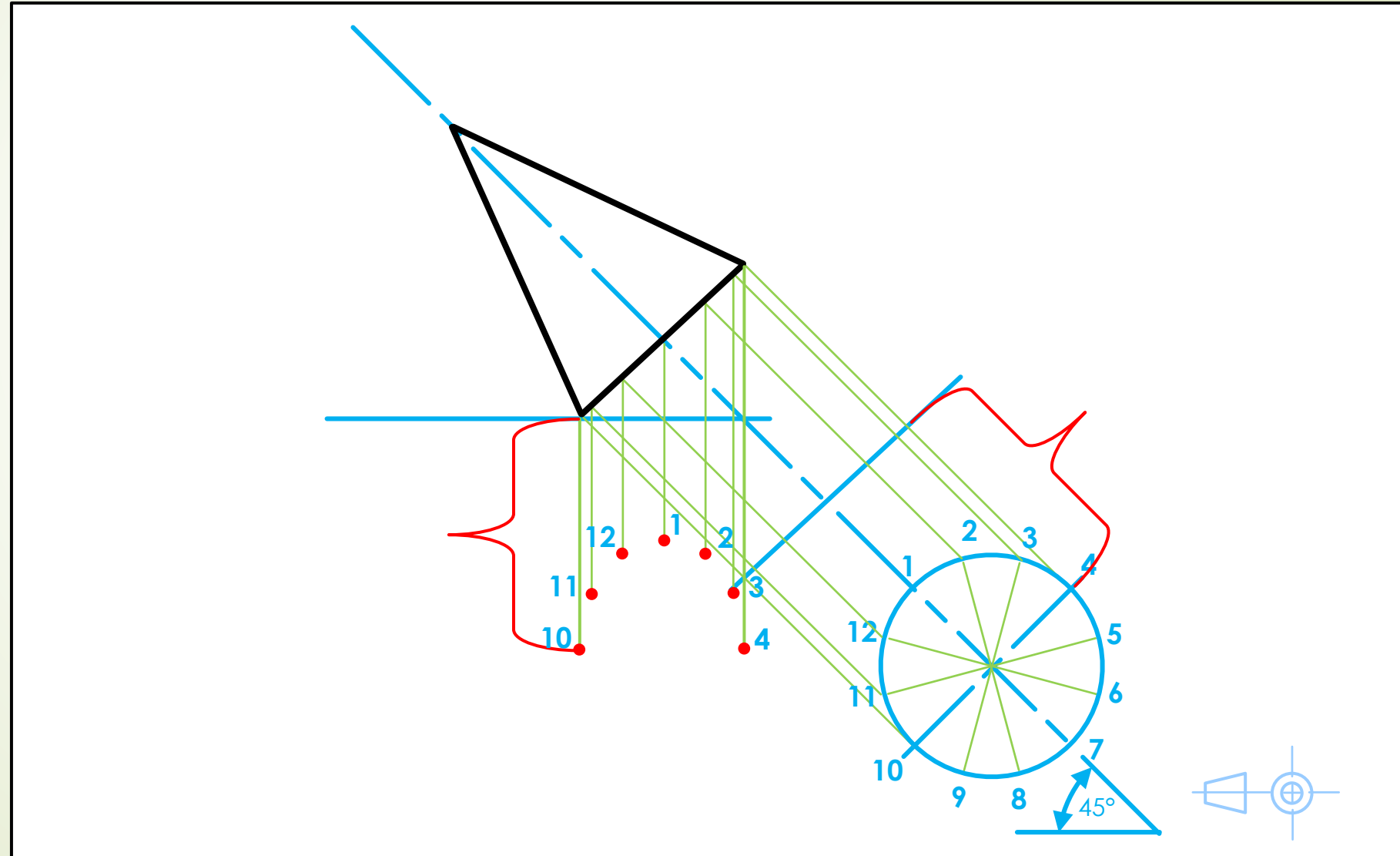
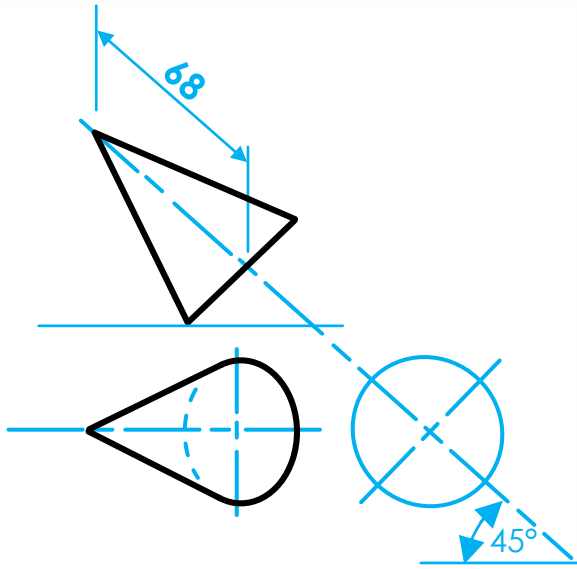
# Application on cylinders and cones



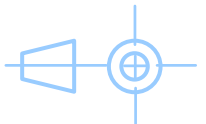
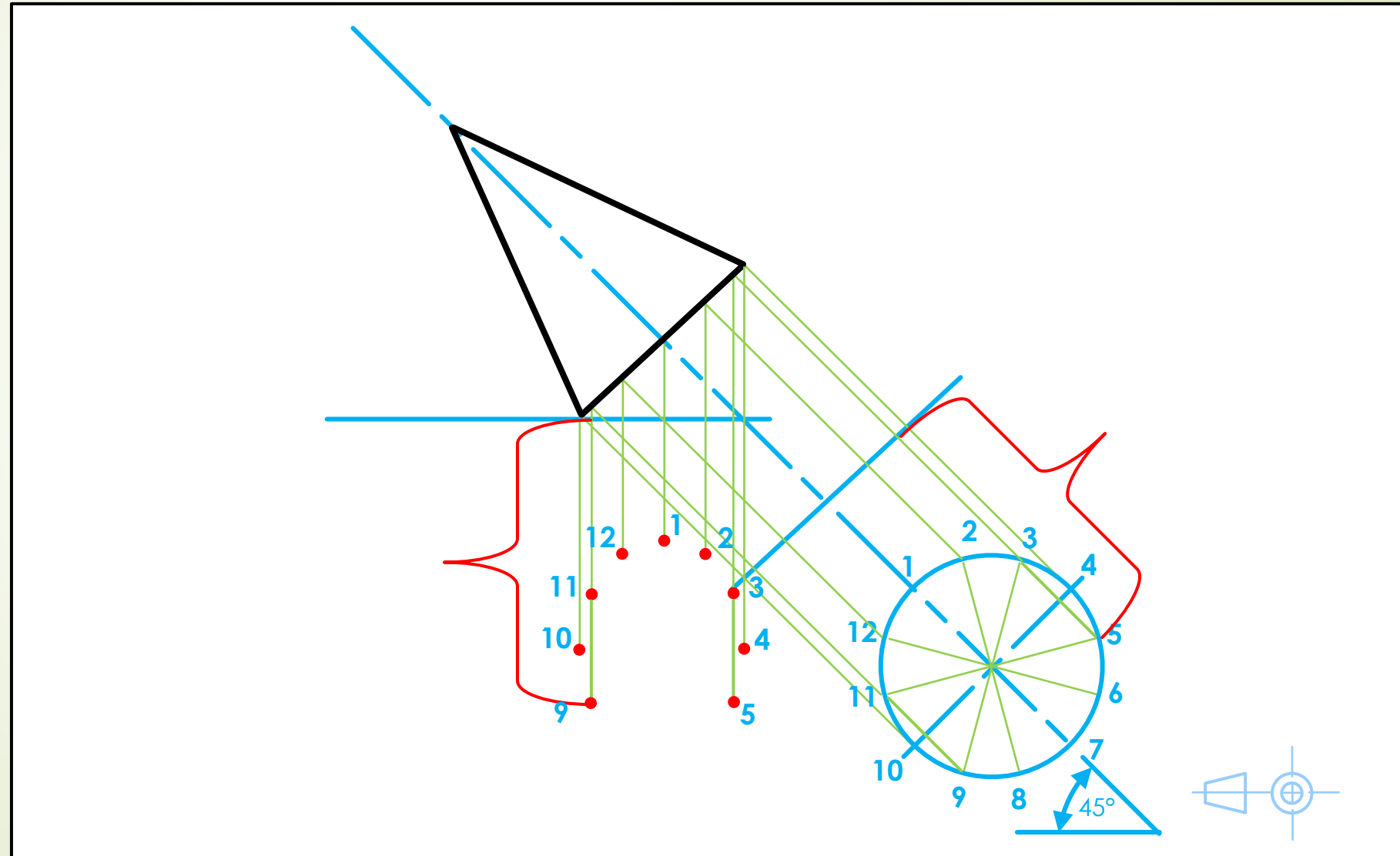
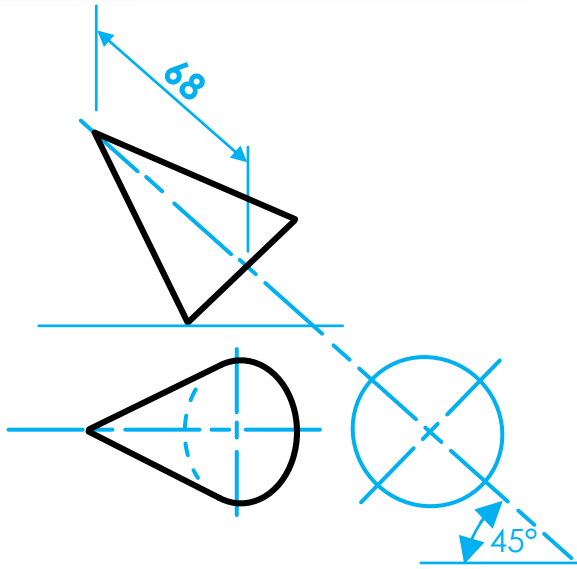
# Application on cylinders and cones



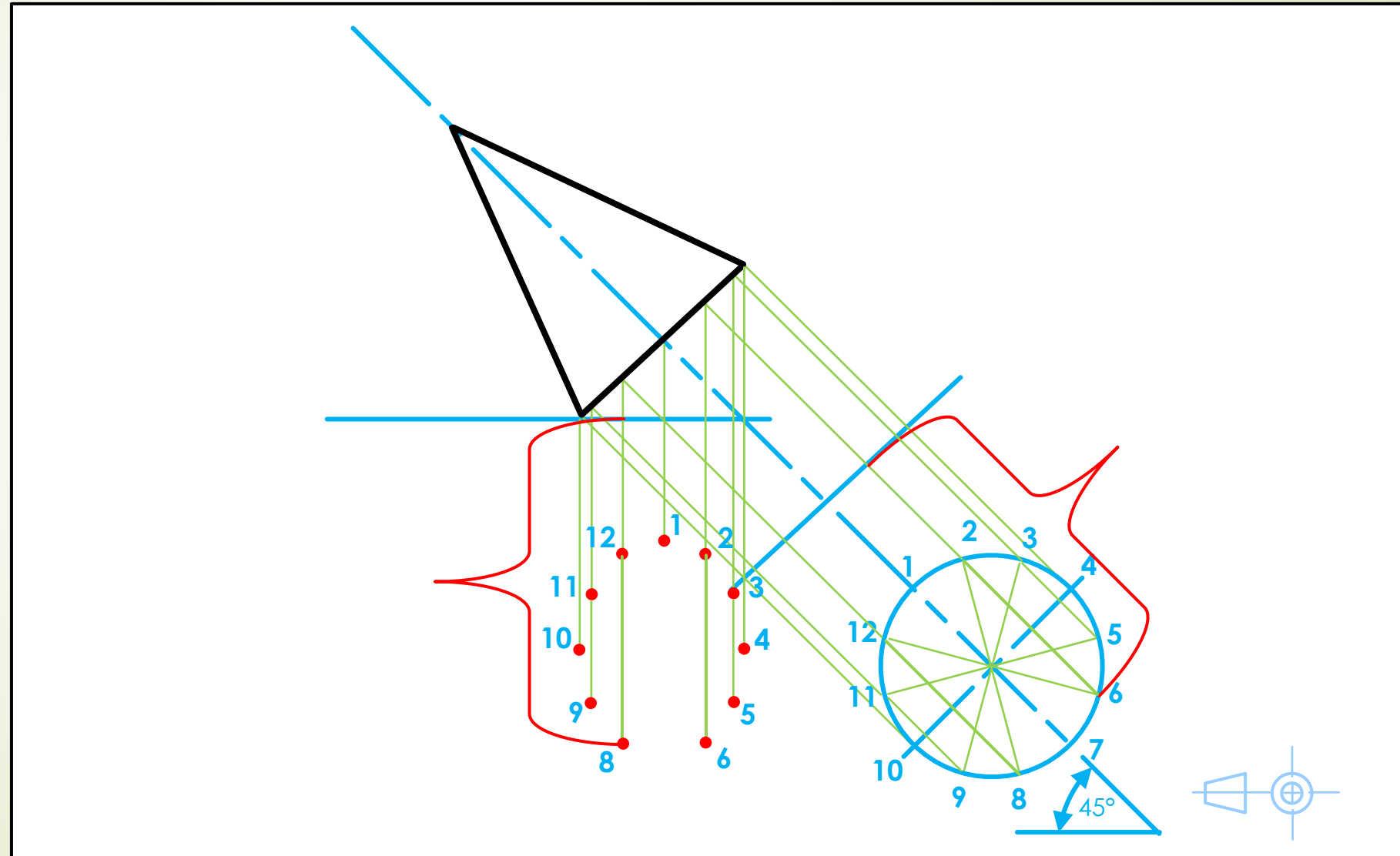
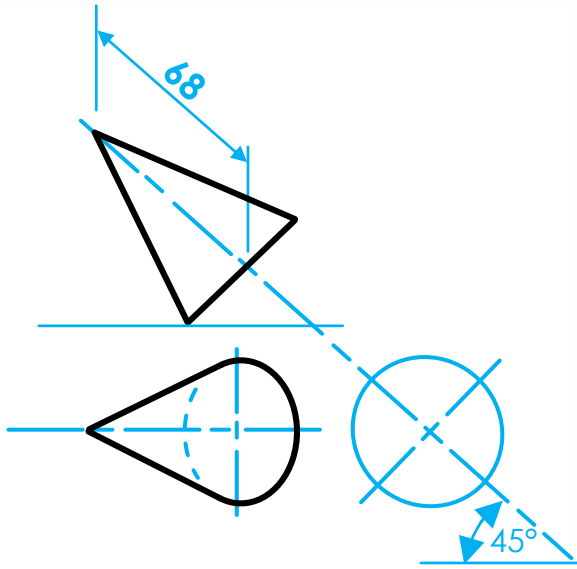
# Application on cylinders and cones



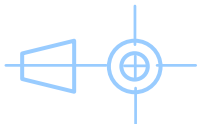
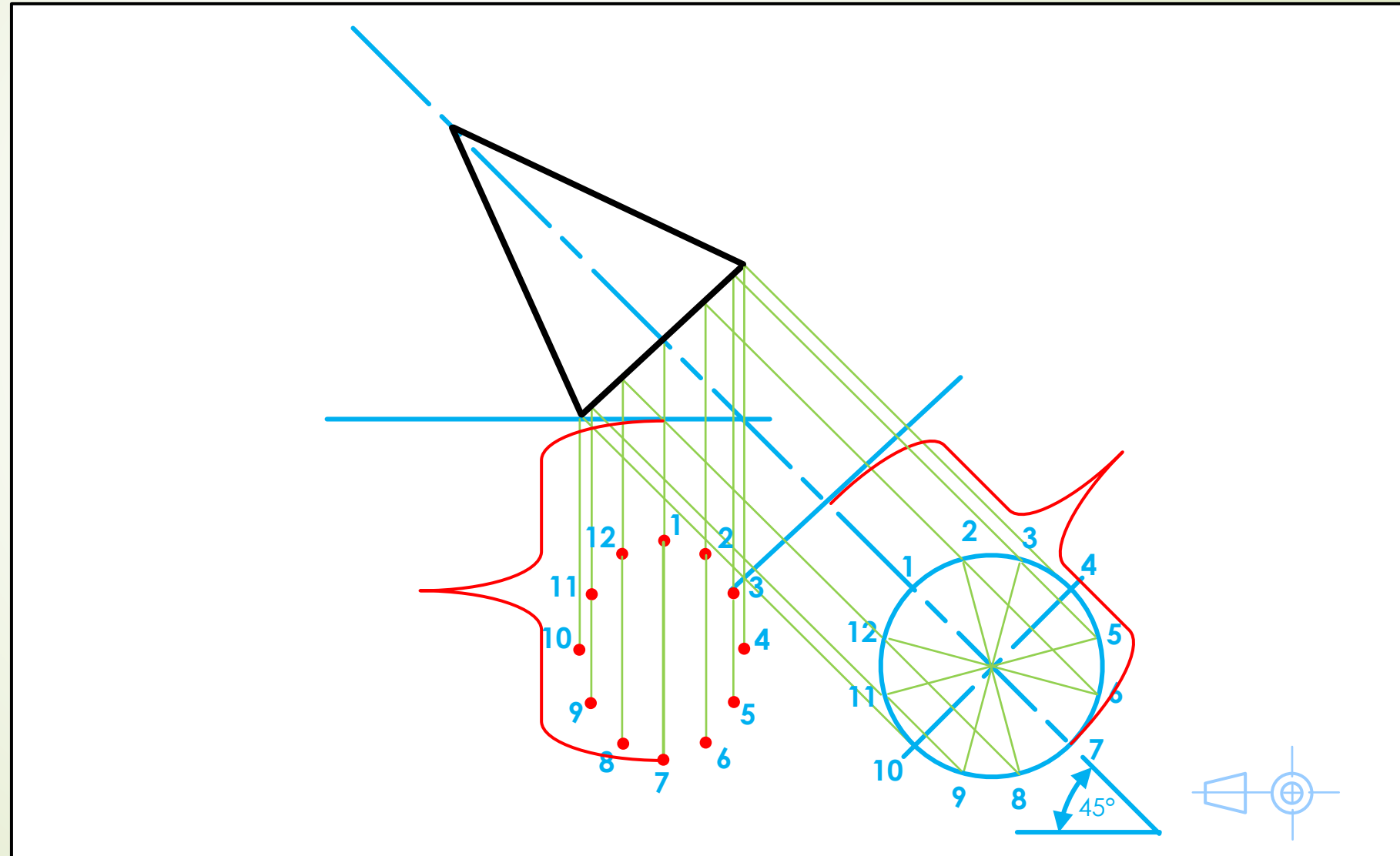
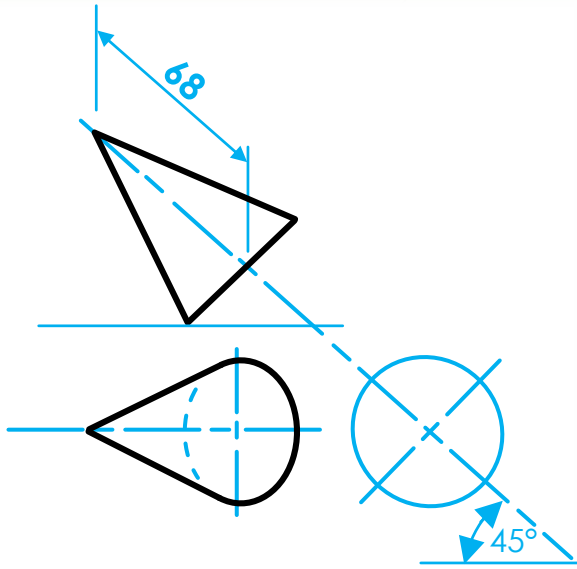
# Application on cylinders and cones



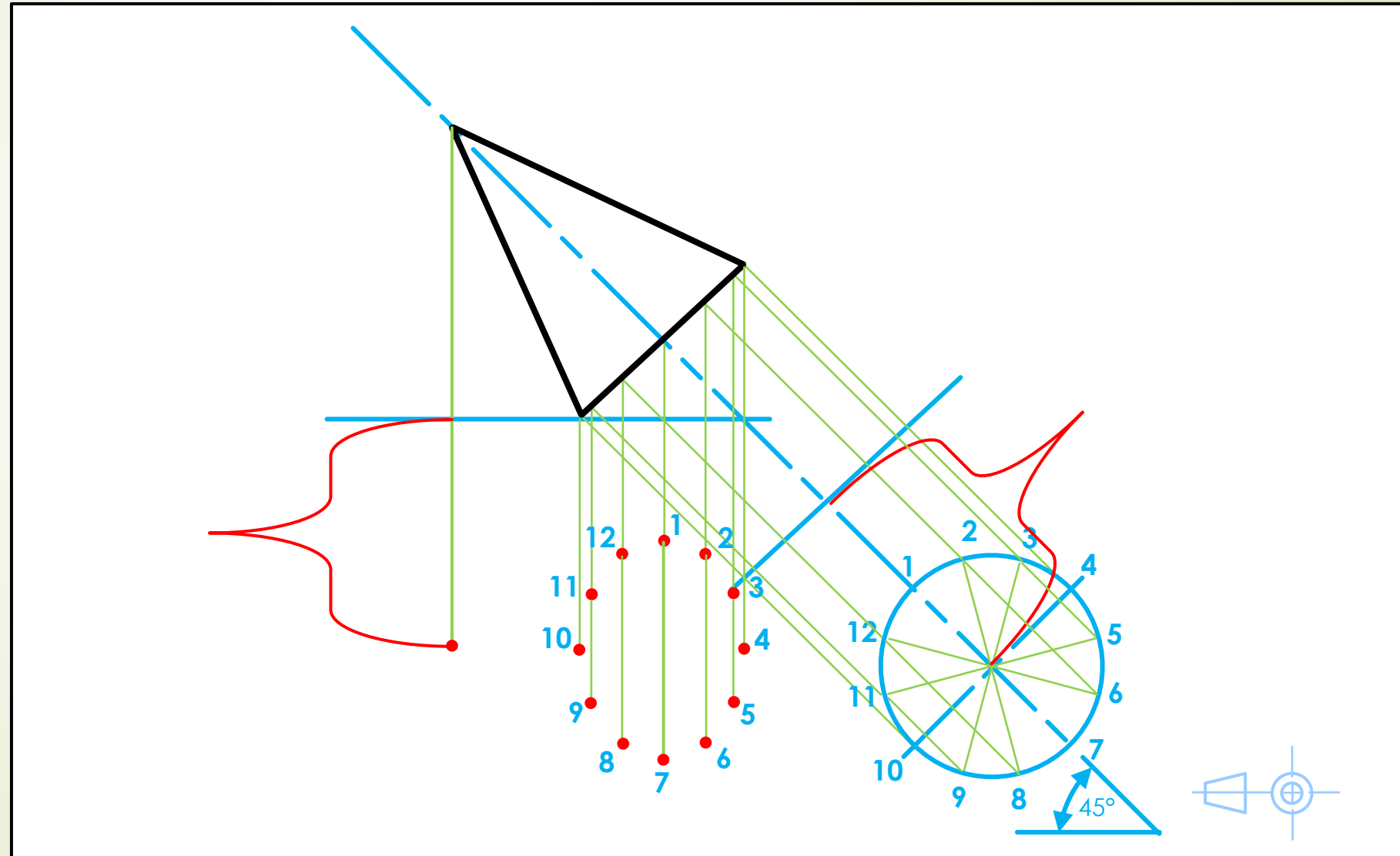
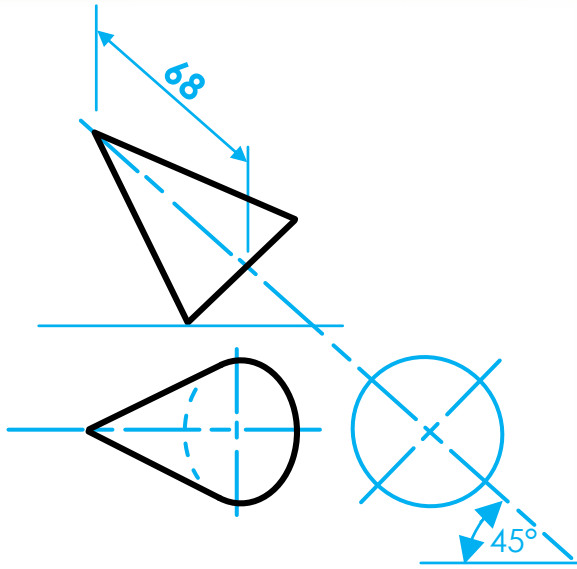
# Application on cylinders and cones



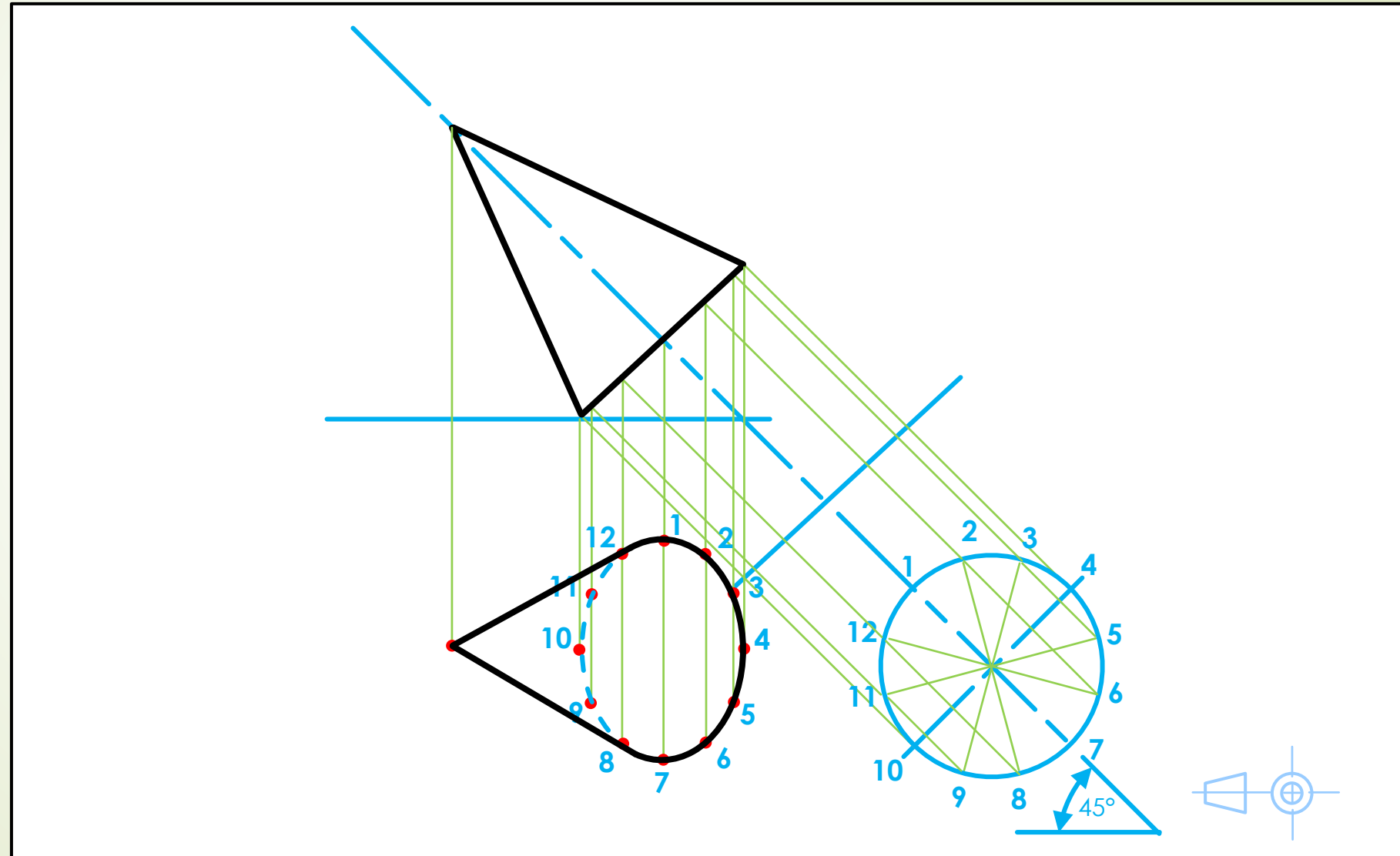
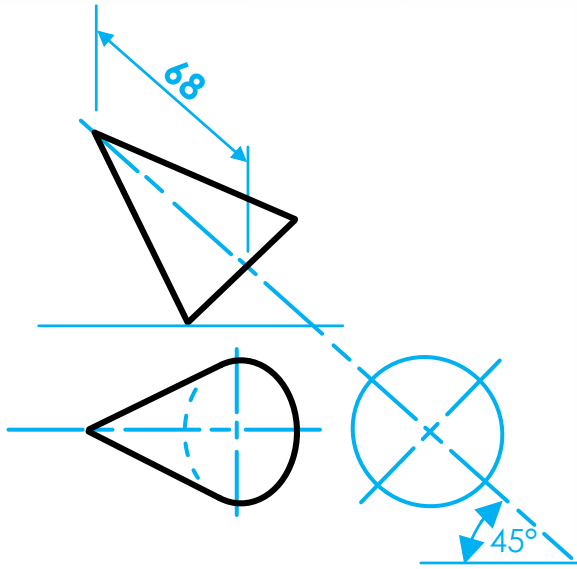
# Application on cylinders and cones



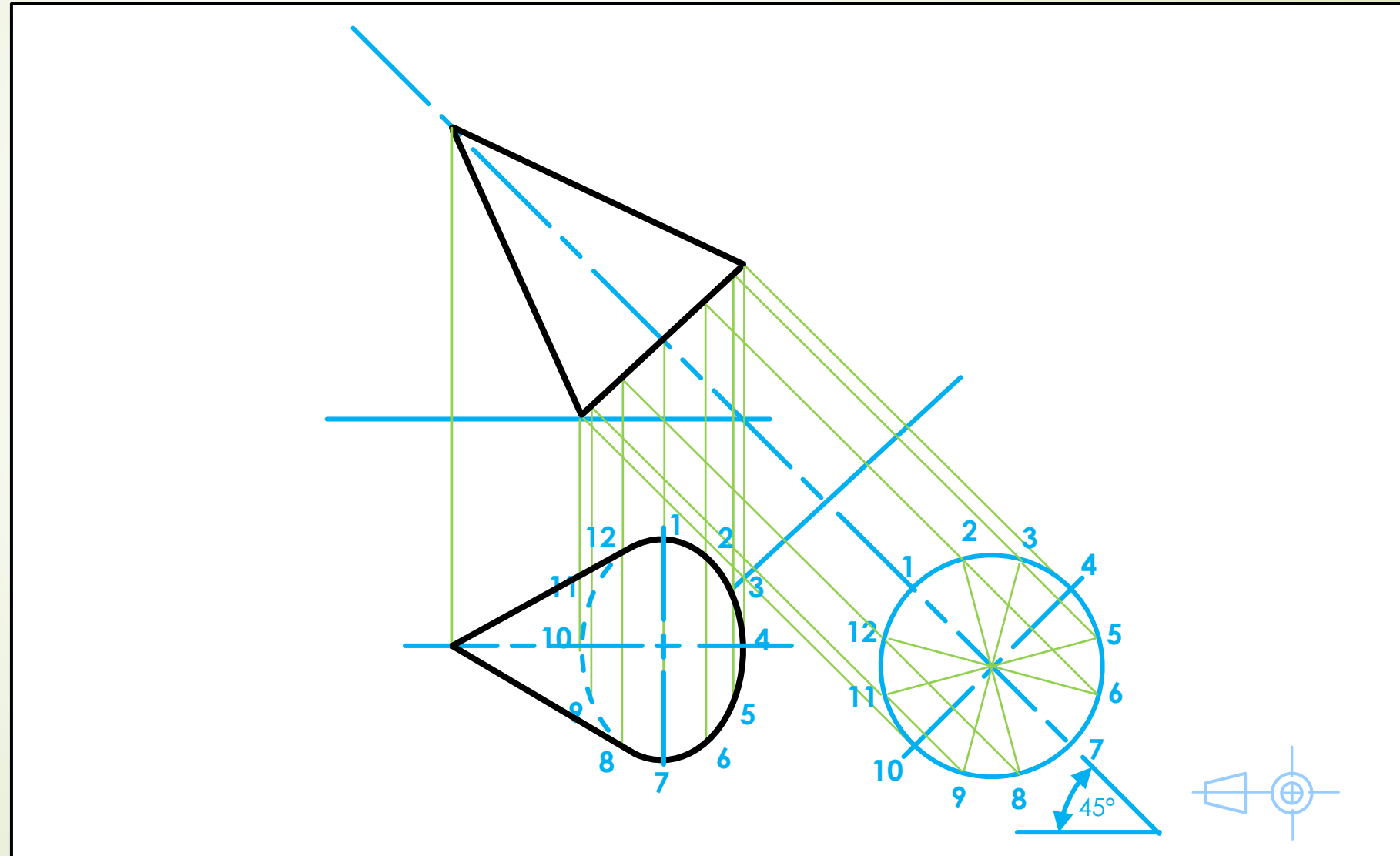
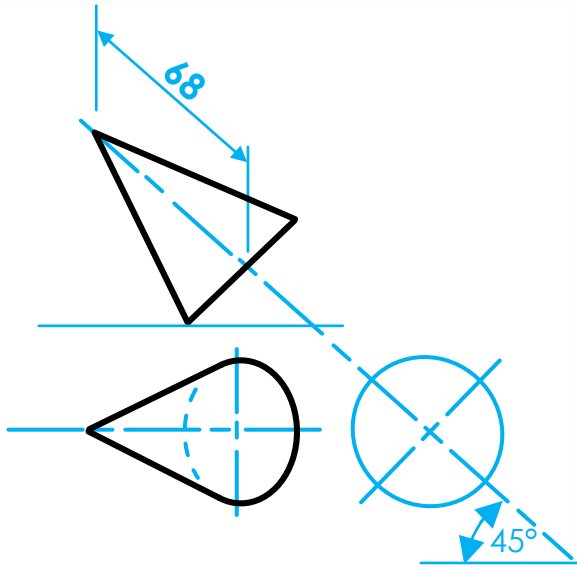
# Application on cylinders and cones



# Application on cylinders and cones



# Application on cylinders and cones



# Application on cylinders and cones

