

QUESTION 2: SOLID GEOMETRY

Given:

- The front view of a cone.
- The auxiliary view of the cone.
- The start position Q.

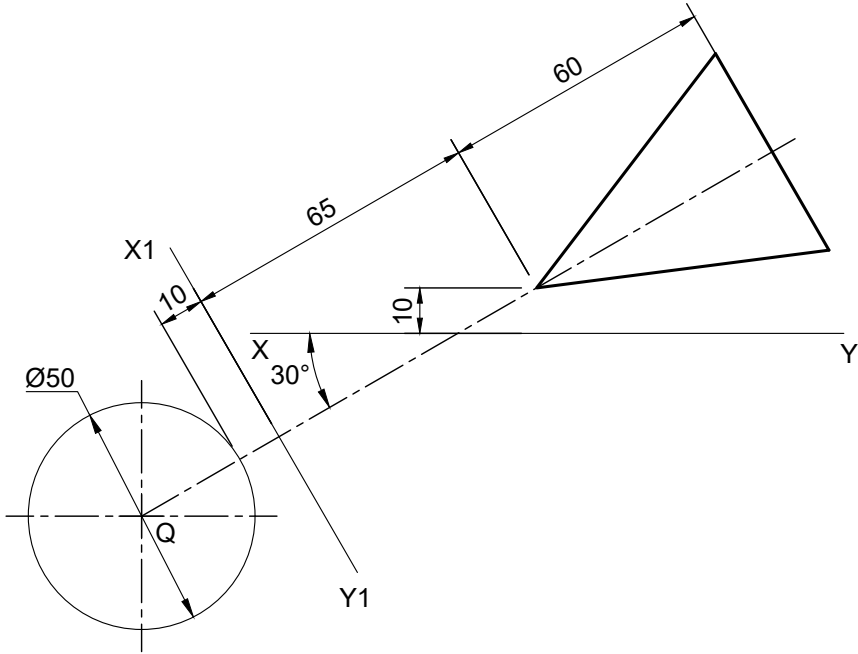
Instructions:

Draw, according to scale 1:1, the following views of the solid.

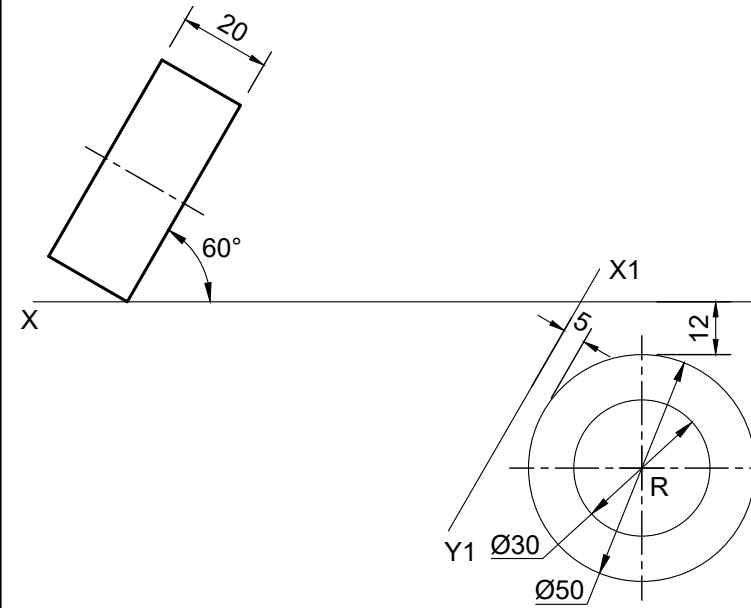
- 2.1 The given front view
- 2.2 A top view
- 2.3 A right view

NOTE:

- Planning is important.
- Show all necessary constructions. [21]



ASSESSMET CRITERIA			
1	GIVEN	7	
2	TOP VIEW	7	
3	LEFT VIEW	7	
PENALIZING (-)			
SUB TOTAL 7.3.1		21	



QUESTION 2: SOLID GEOMETRY

Given:

- The front view of a cylinder with a hole.
- The auxiliary view of the cylinder.
- The start position R.

Instructions:

Draw, according to scale 1:1, the following views of the solid.

- 2.1 The given front view
- 2.2 A top view
- 2.3 A right view

NOTE:

- Planning is important.
- Show all necessary constructions.
- Show all hidden detail. [47]

ASSESSMENT CRITERIA			
1	GIVEN	7	
2	TOP VIEW	20	
3	LEFT VIEW	20	
PENALIZING (-1)			
SUB TOTAL 7.3.2		47	
TOTAL 7.3		68	

