



Application on polygons

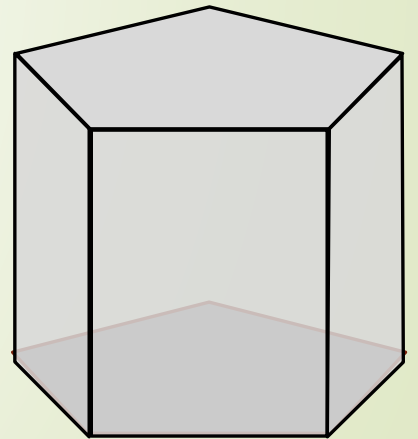
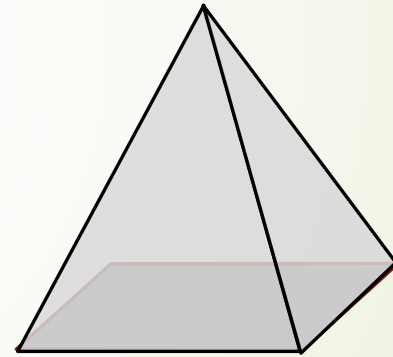
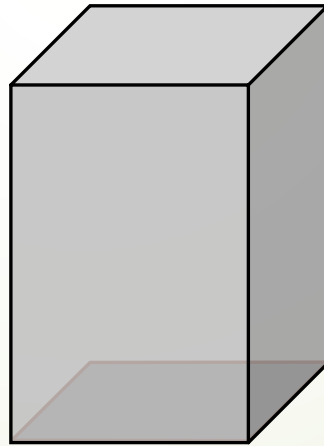
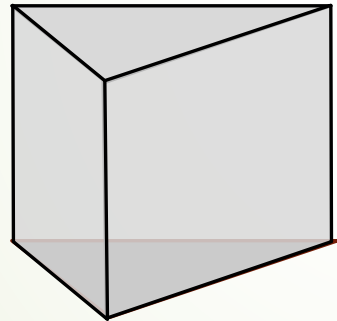
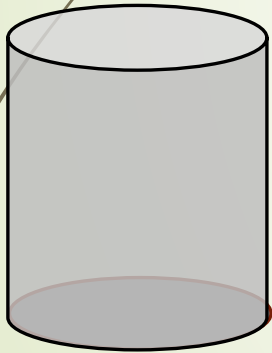
Horizontal Sectioning

Grade 10, 11 & 12

Developed by: PC Viljoen
Senior Educational Specialist for
Engineering Graphics and Design
Free State Province

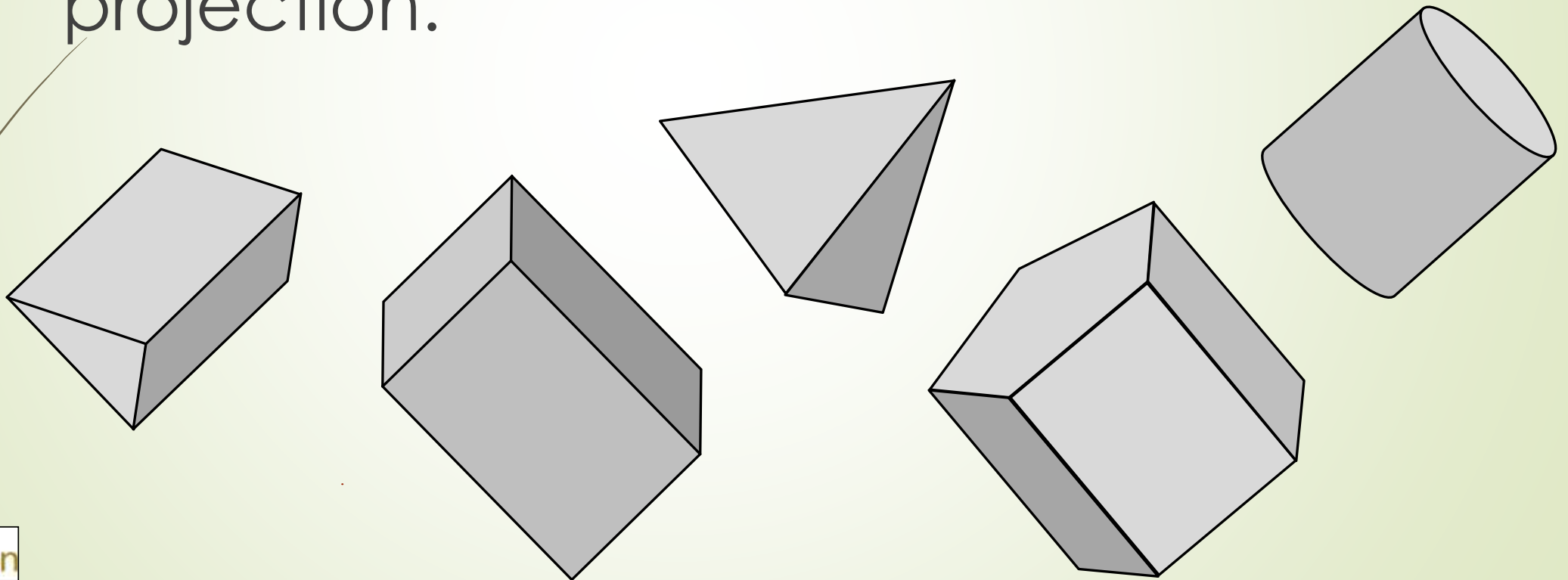
SOLID GEOMETRY

- Projecting right regular pyramids, prisms, cones and cylinders from polygons.

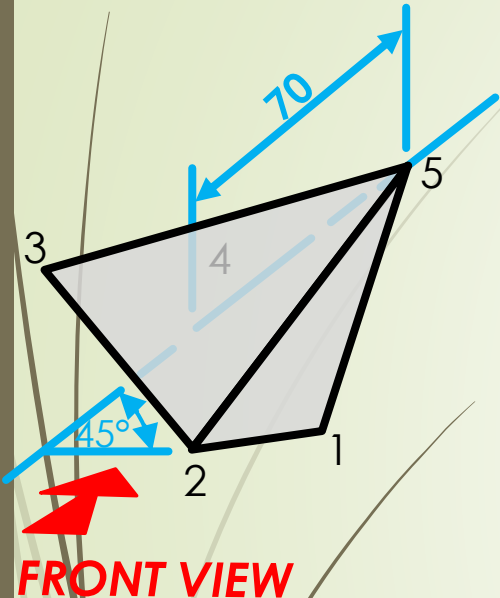


Application on pyramids, prisms, cones and cylinders

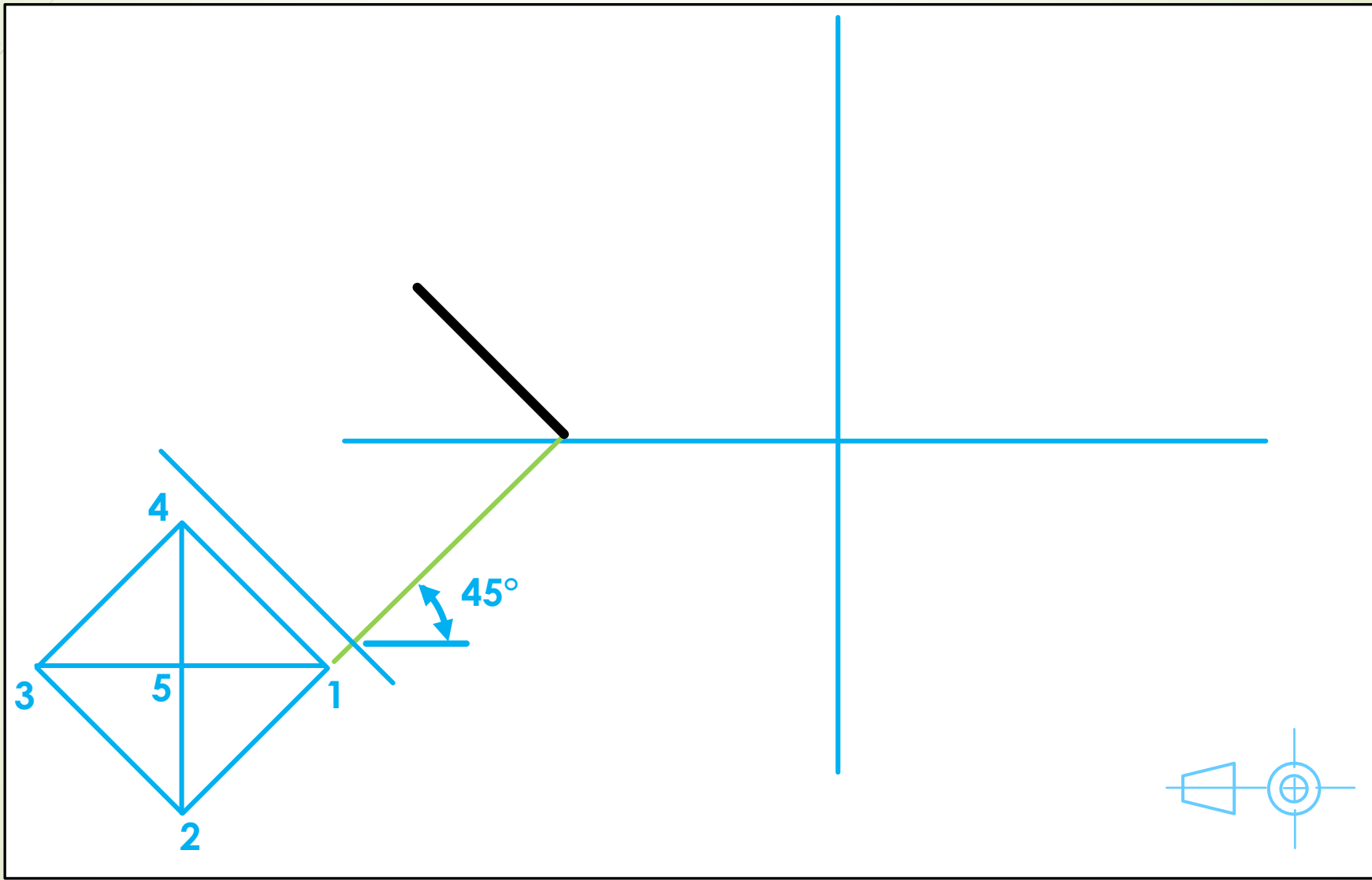
- ➔ Draw inclined pyramids, prisms, cones and cylinders in first angle orthographic projection.



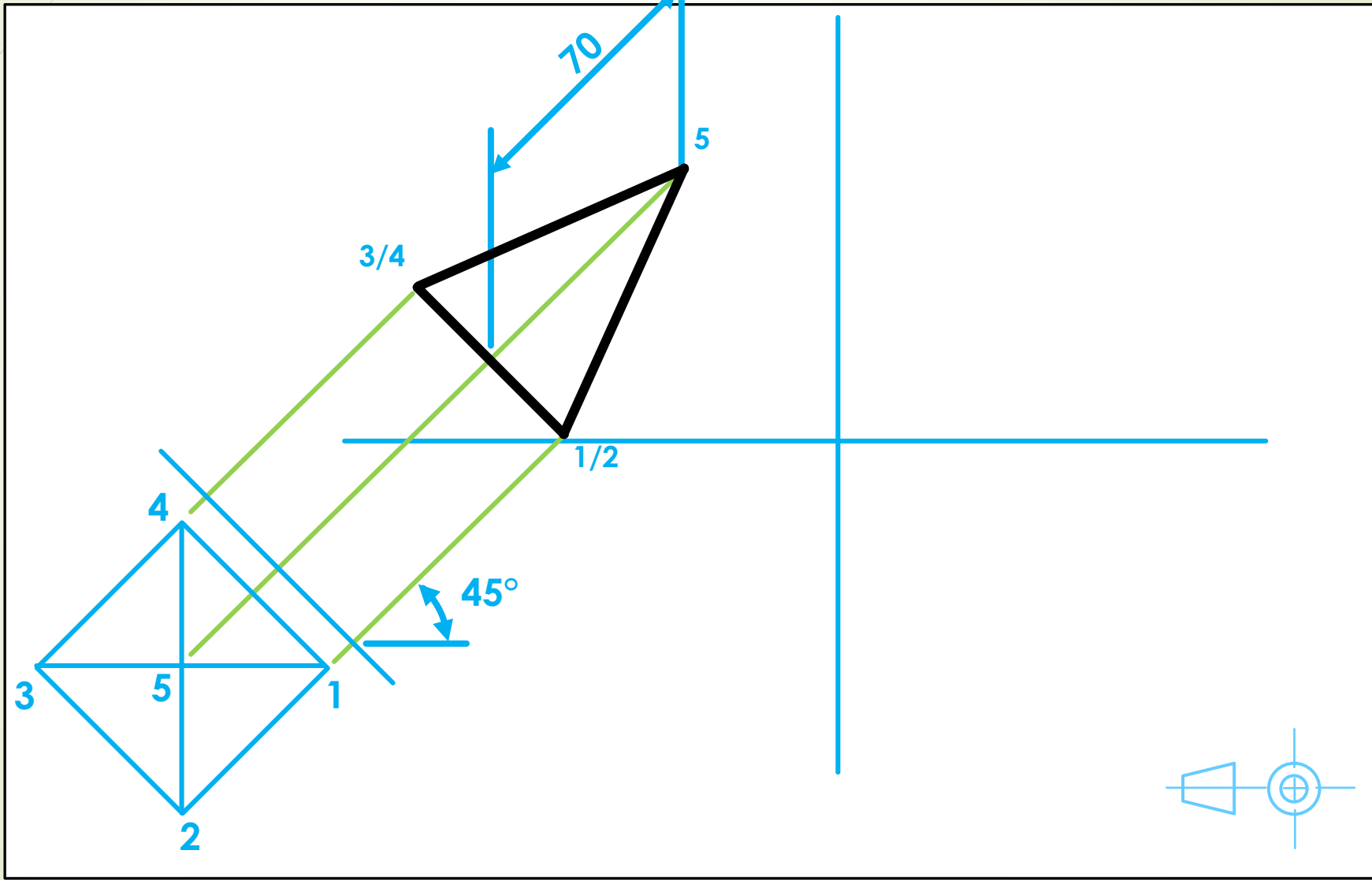
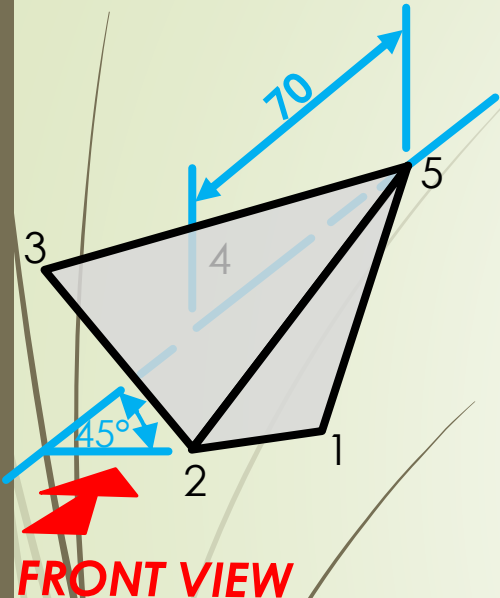
Application on pyramids, prisms, cones and cylinders



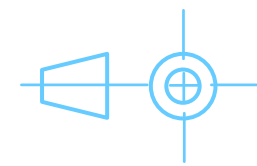
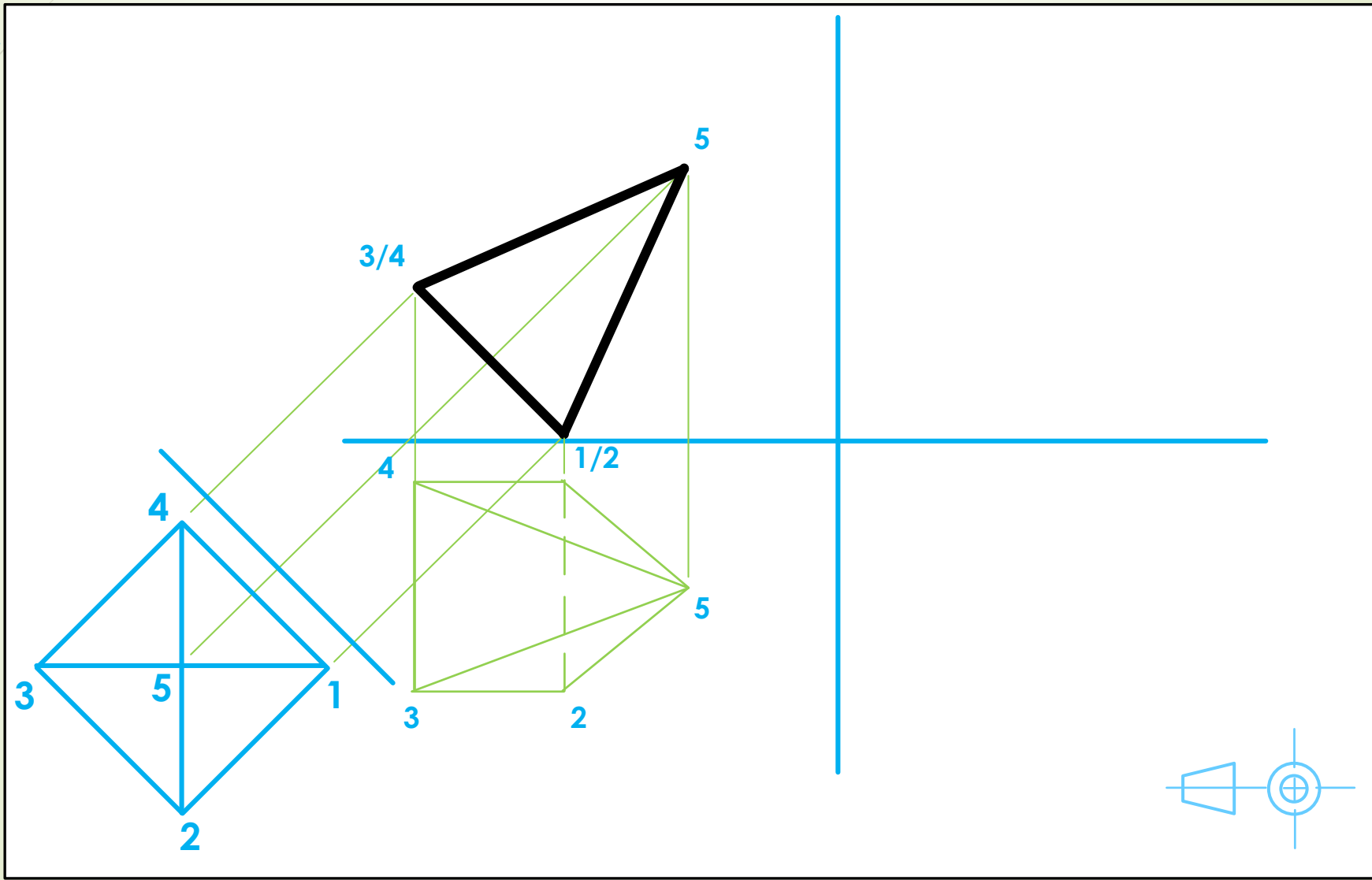
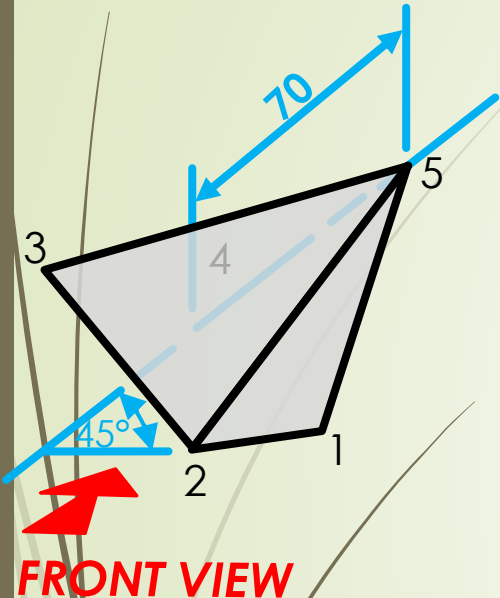
FRONT VIEW



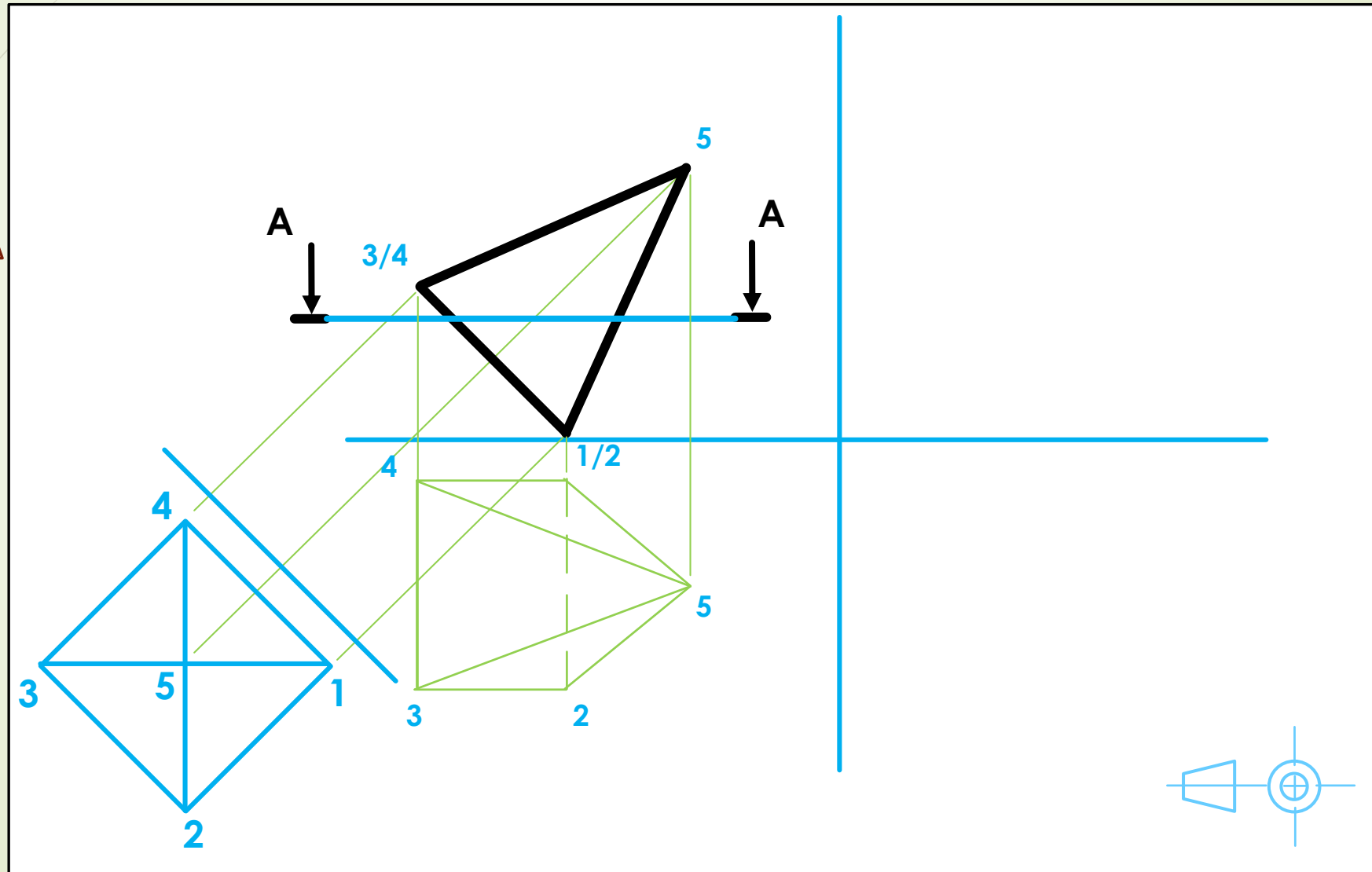
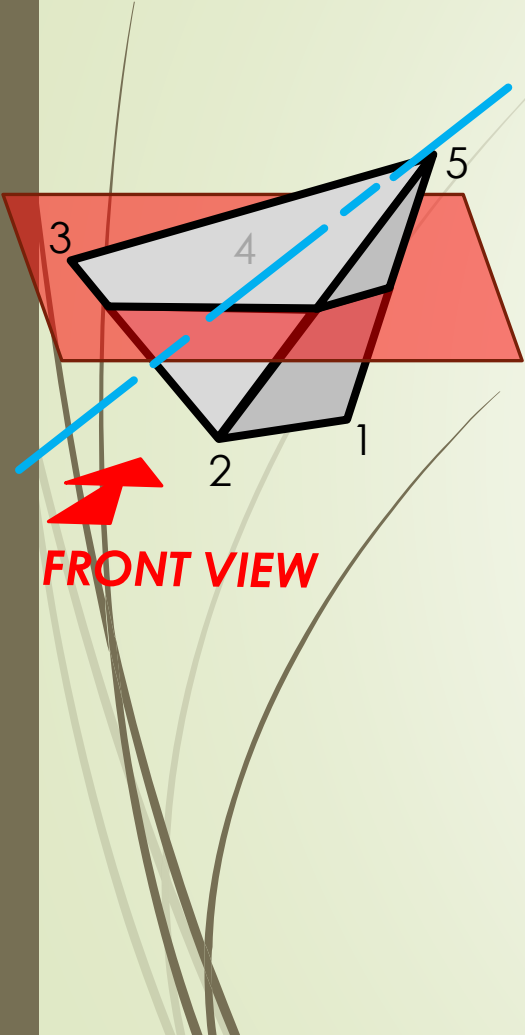
Application on pyramids, prisms, cones and cylinders



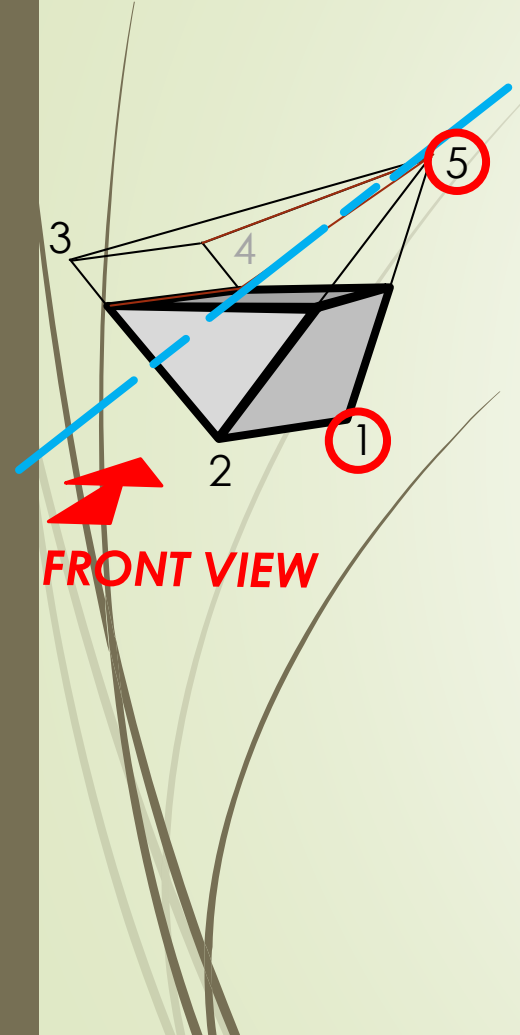
Application on pyramids, prisms, cones and cylinders



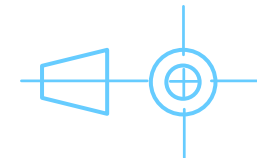
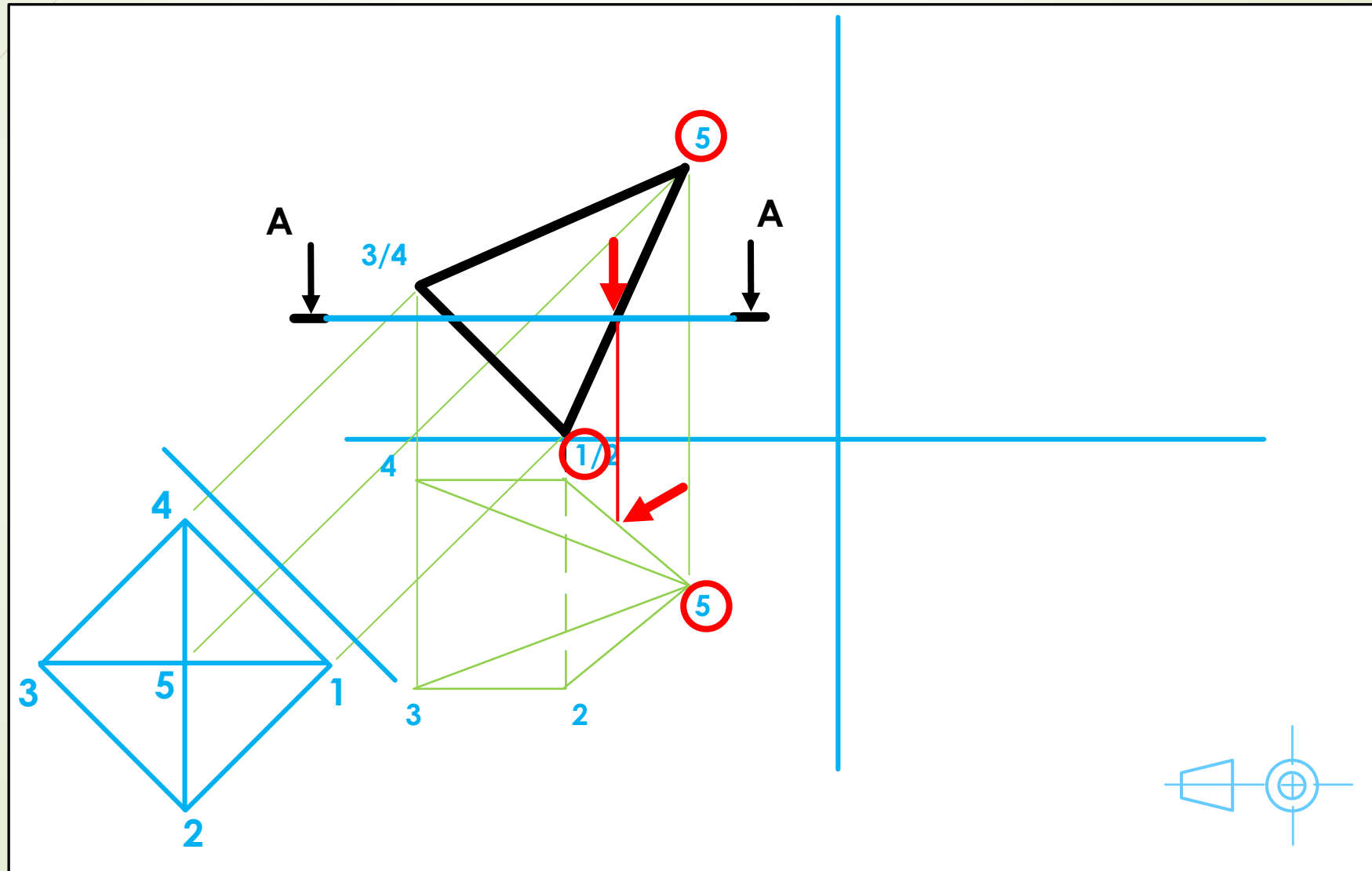
Application on pyramids, prisms, cones and cylinders



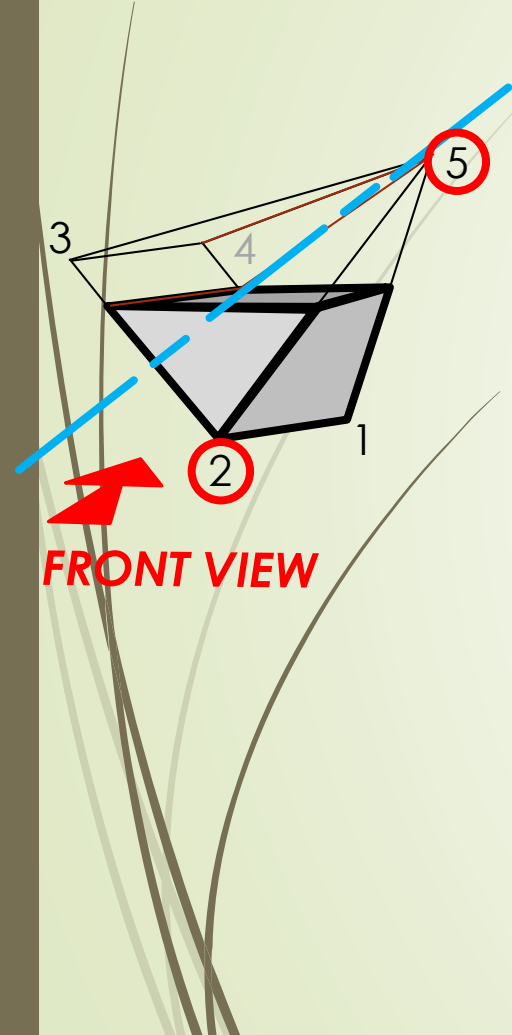
Application on pyramids, prisms, cones and cylinders



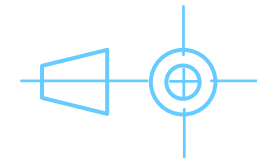
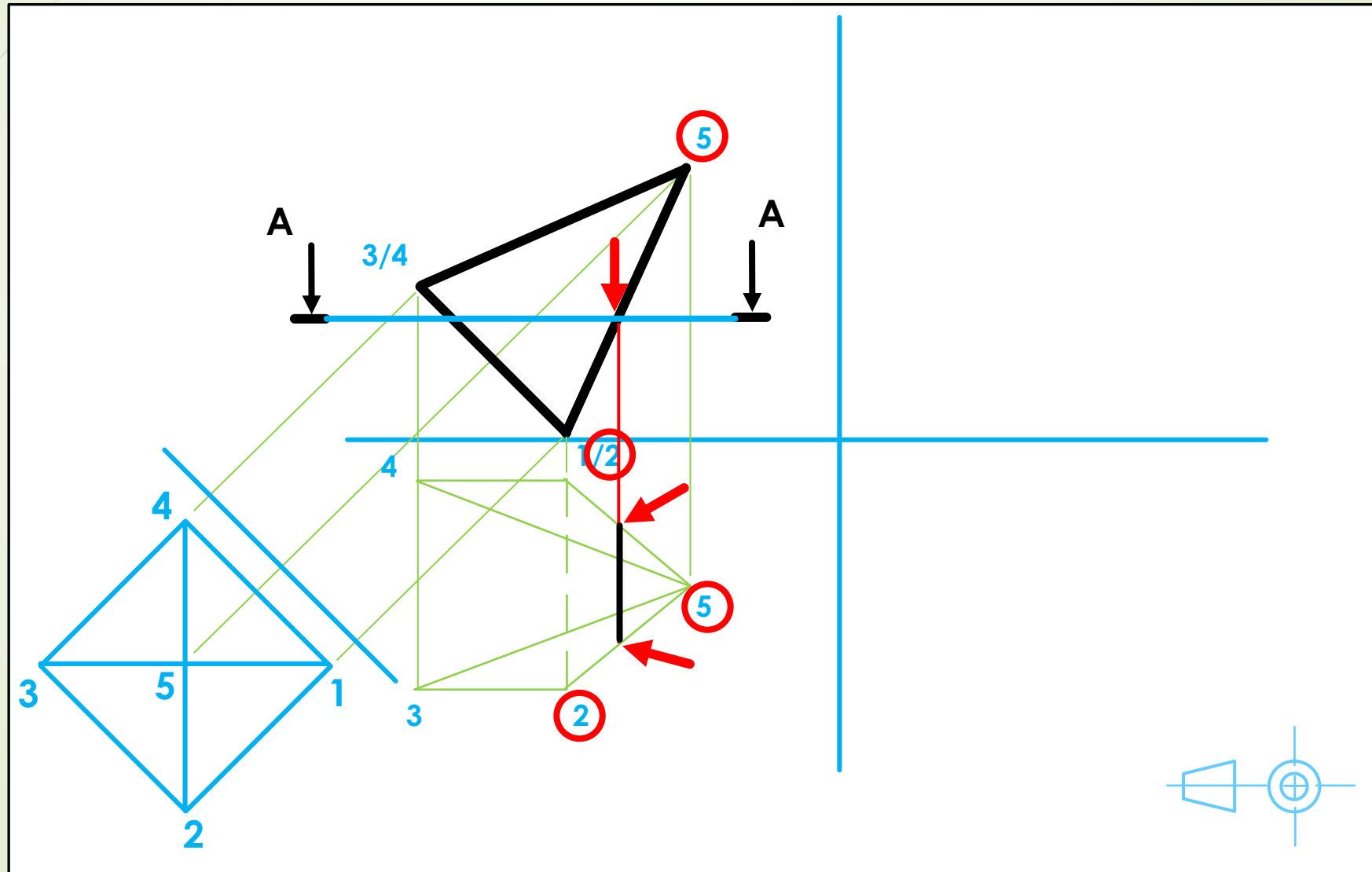
FRONT VIEW



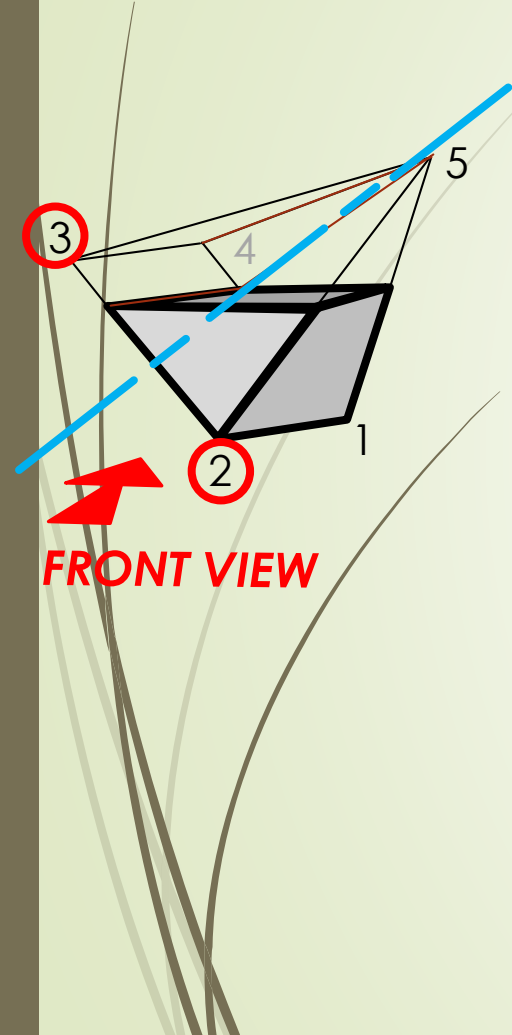
Application on pyramids, prisms, cones and cylinders



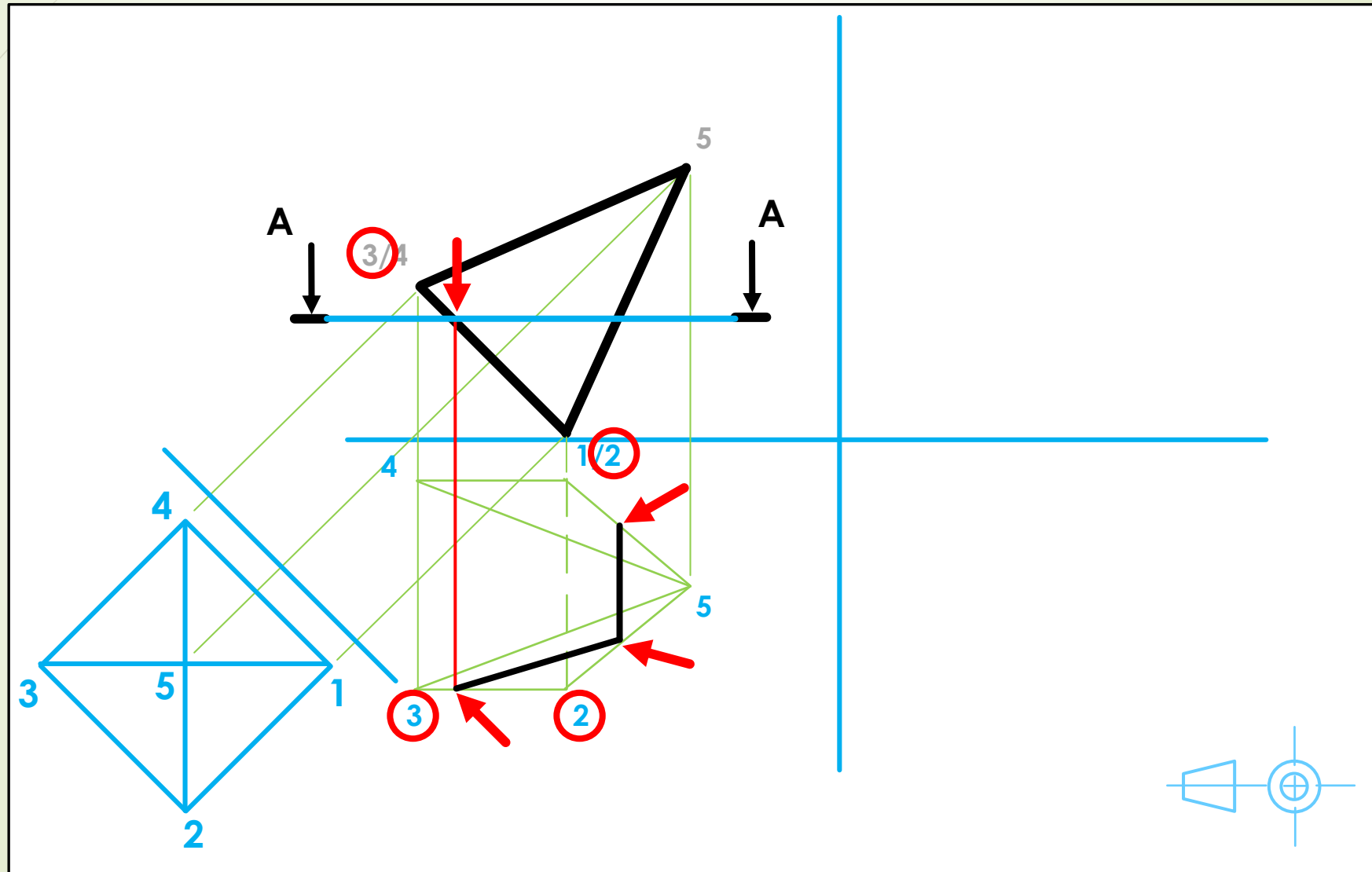
FRONT VIEW



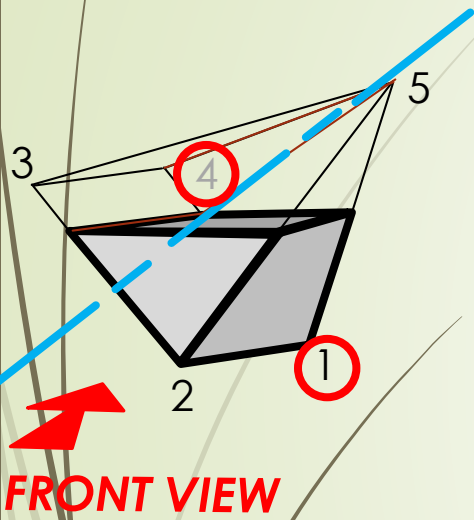
Application on pyramids, prisms, cones and cylinders



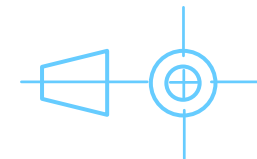
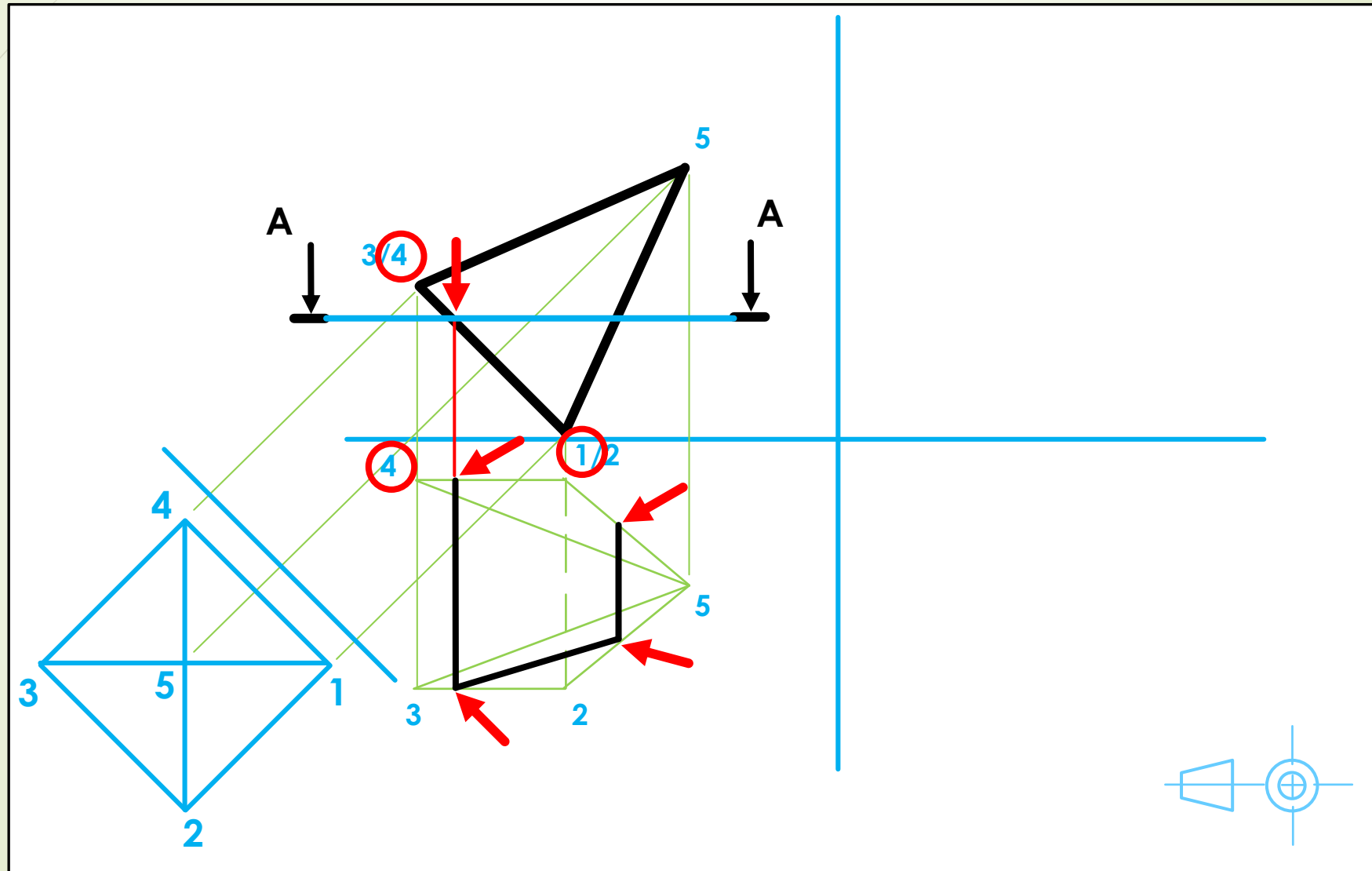
FRONT VIEW



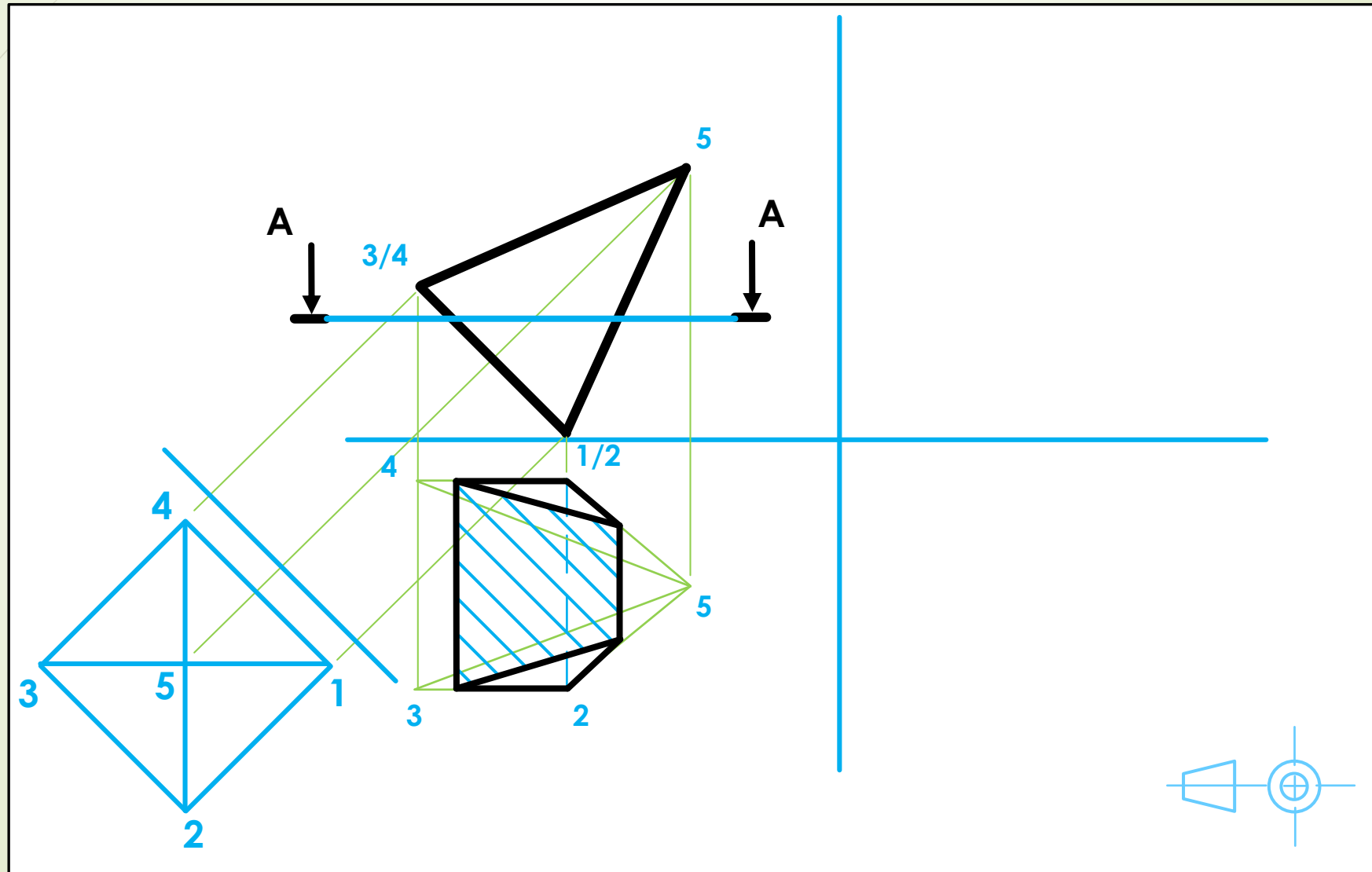
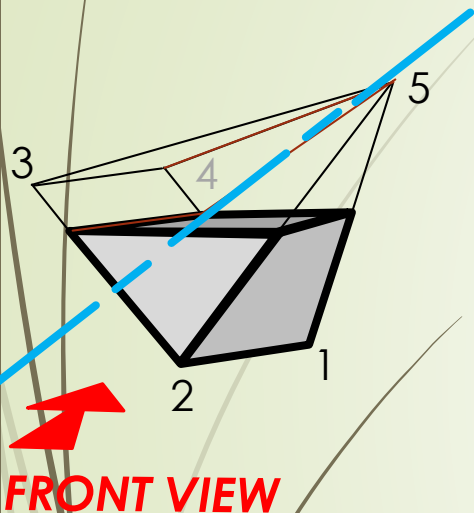
Application on pyramids, prisms, cones and cylinders



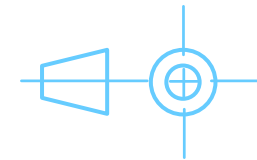
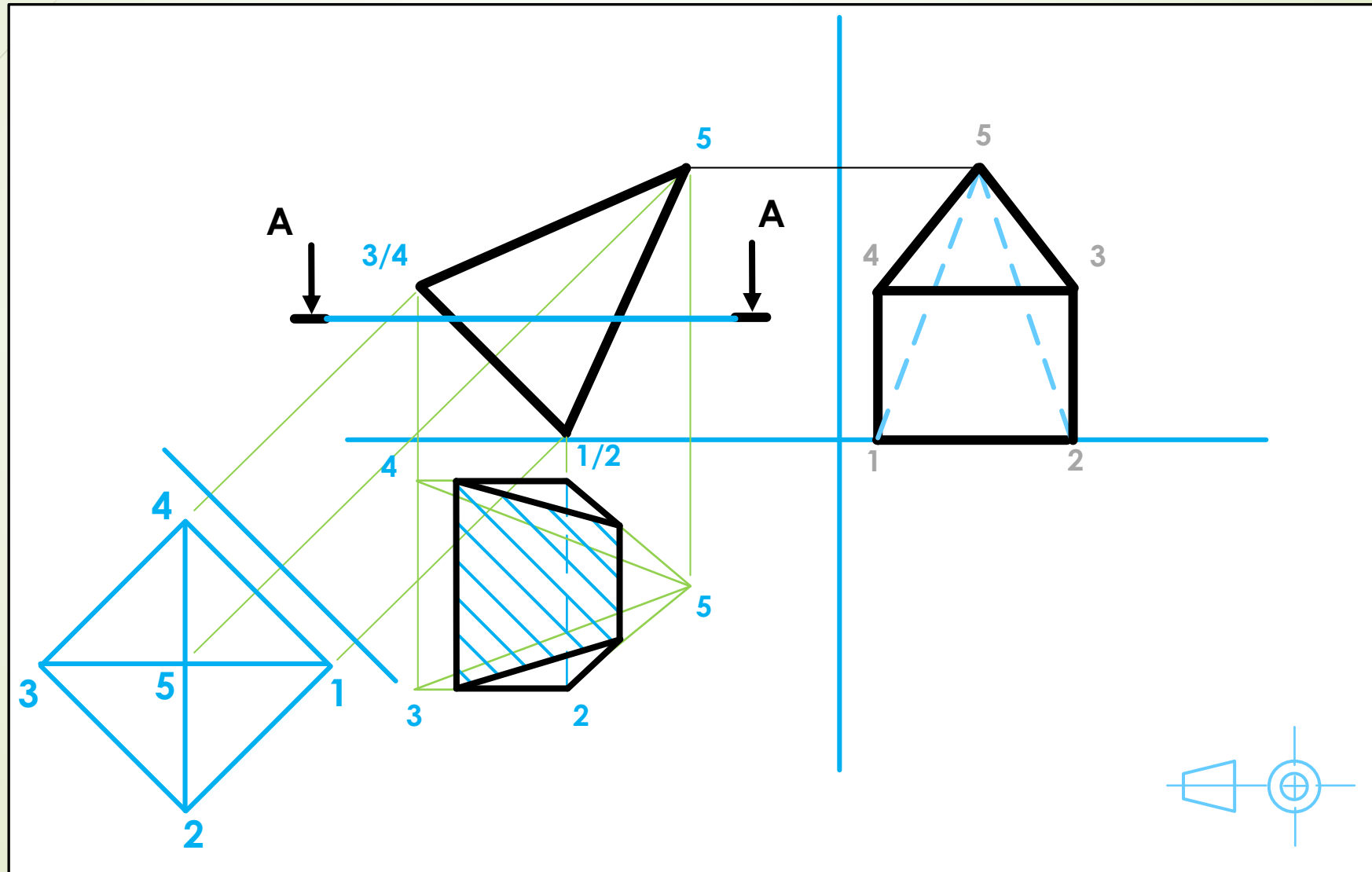
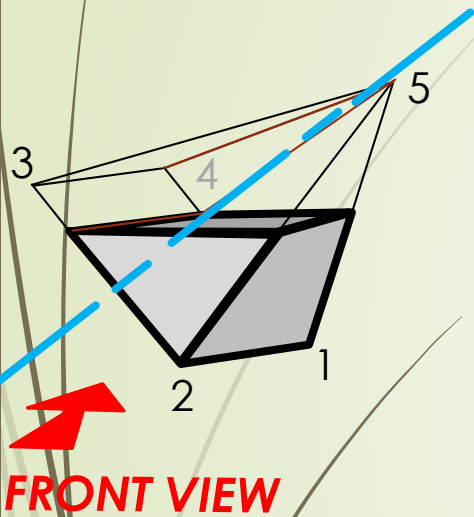
FRONT VIEW



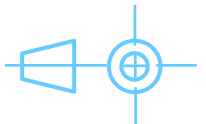
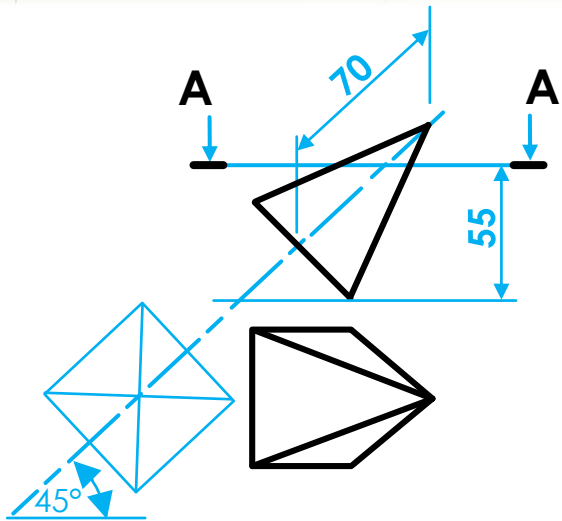
Application on pyramids, prisms, cones and cylinders



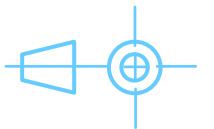
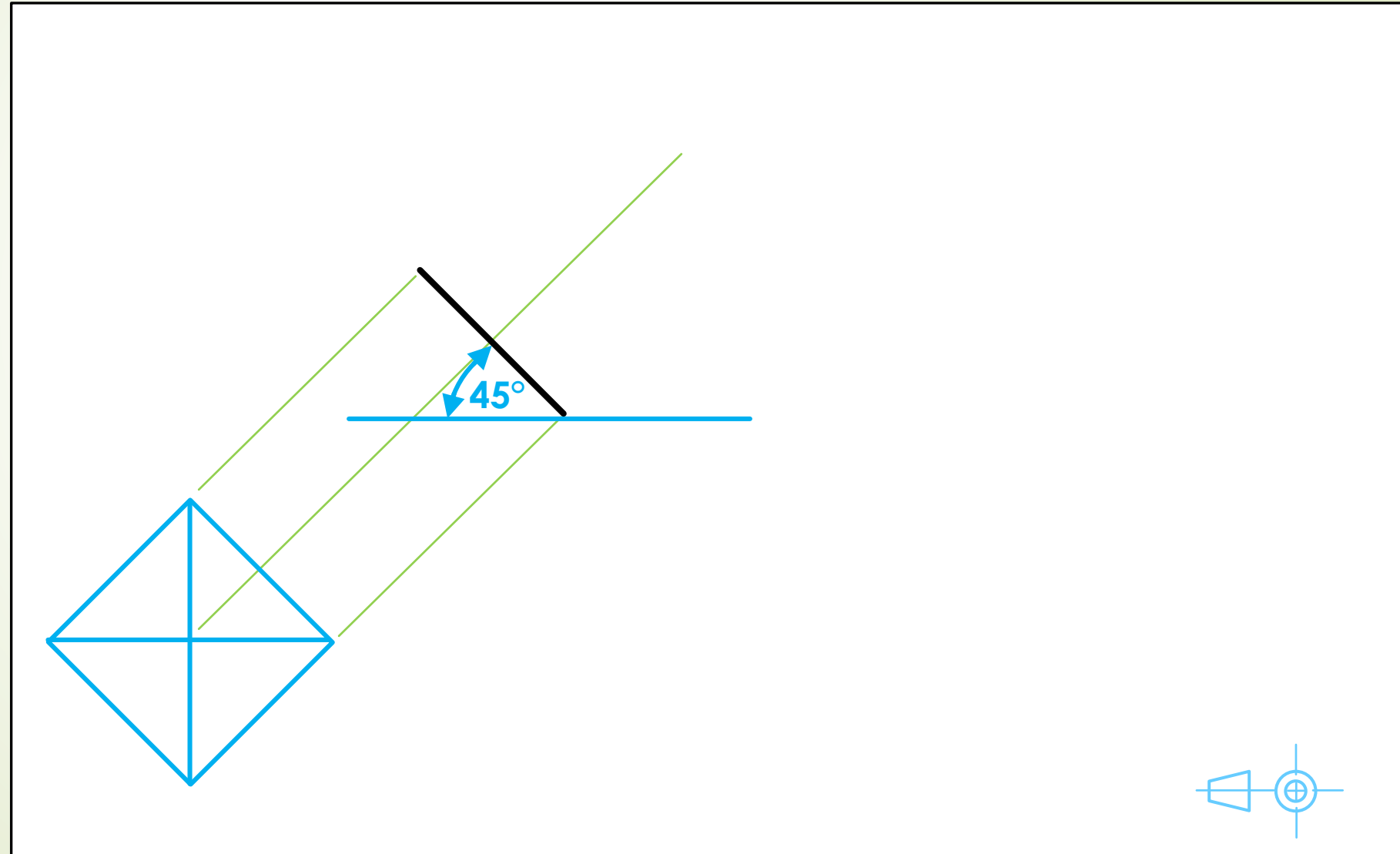
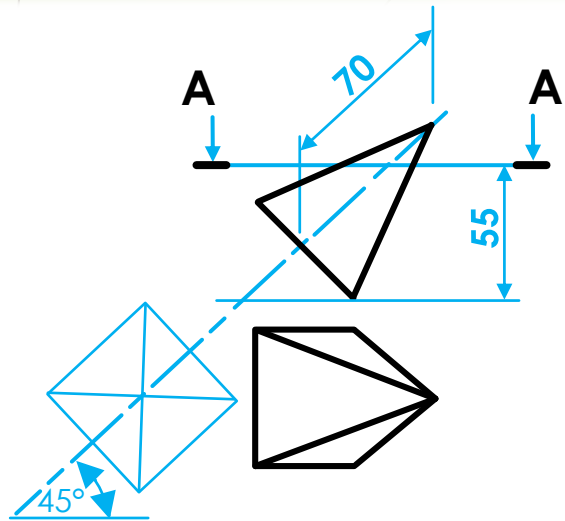
Application on pyramids, prisms, cones and cylinders



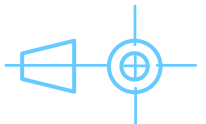
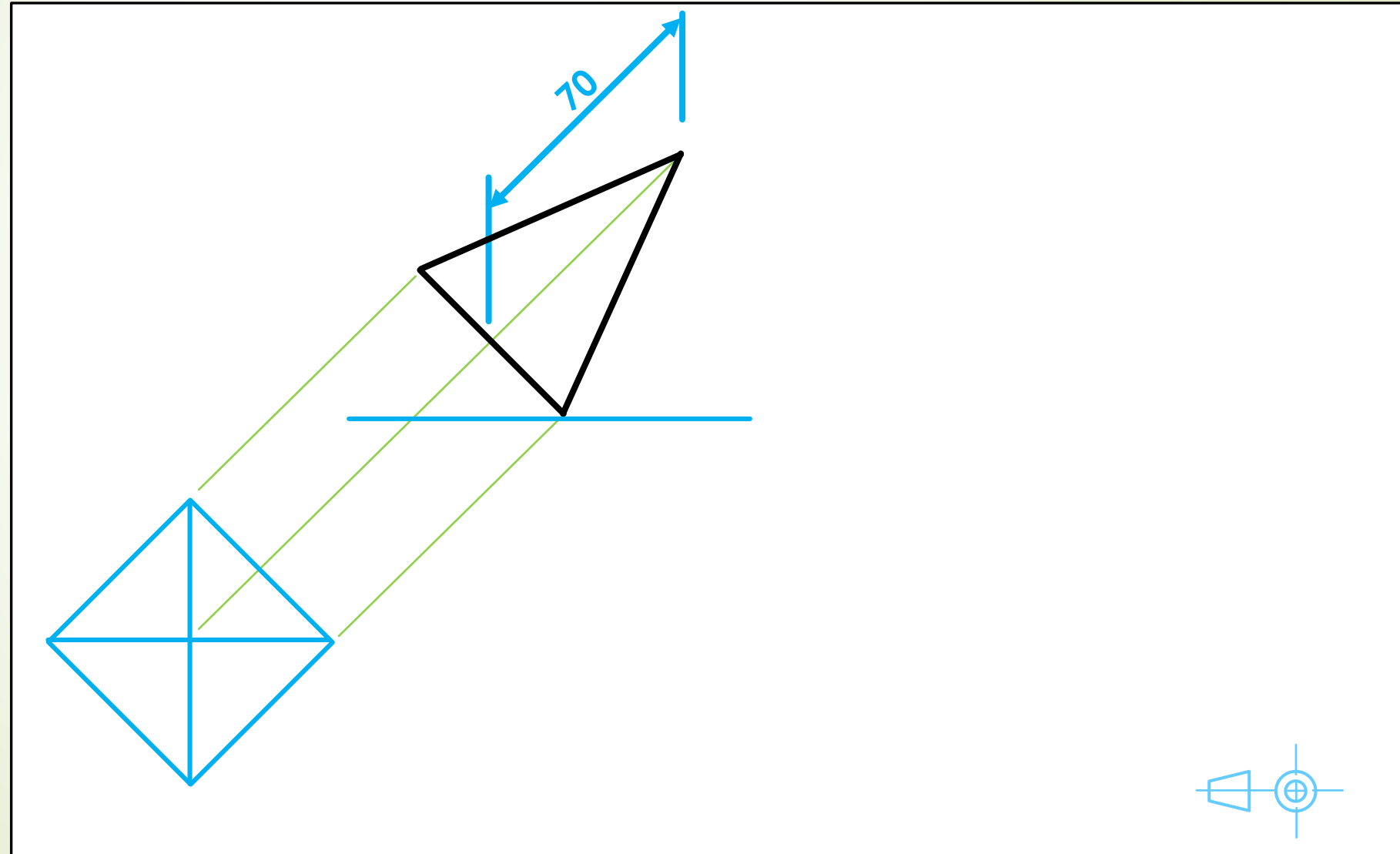
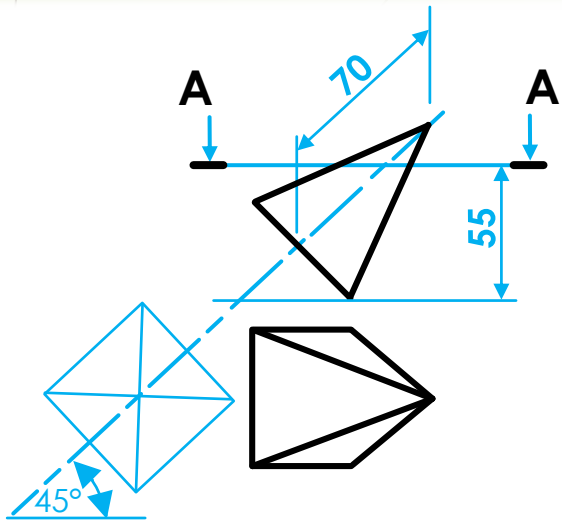
A combination of pyramids, prisms, cones and cylinders



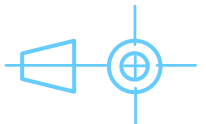
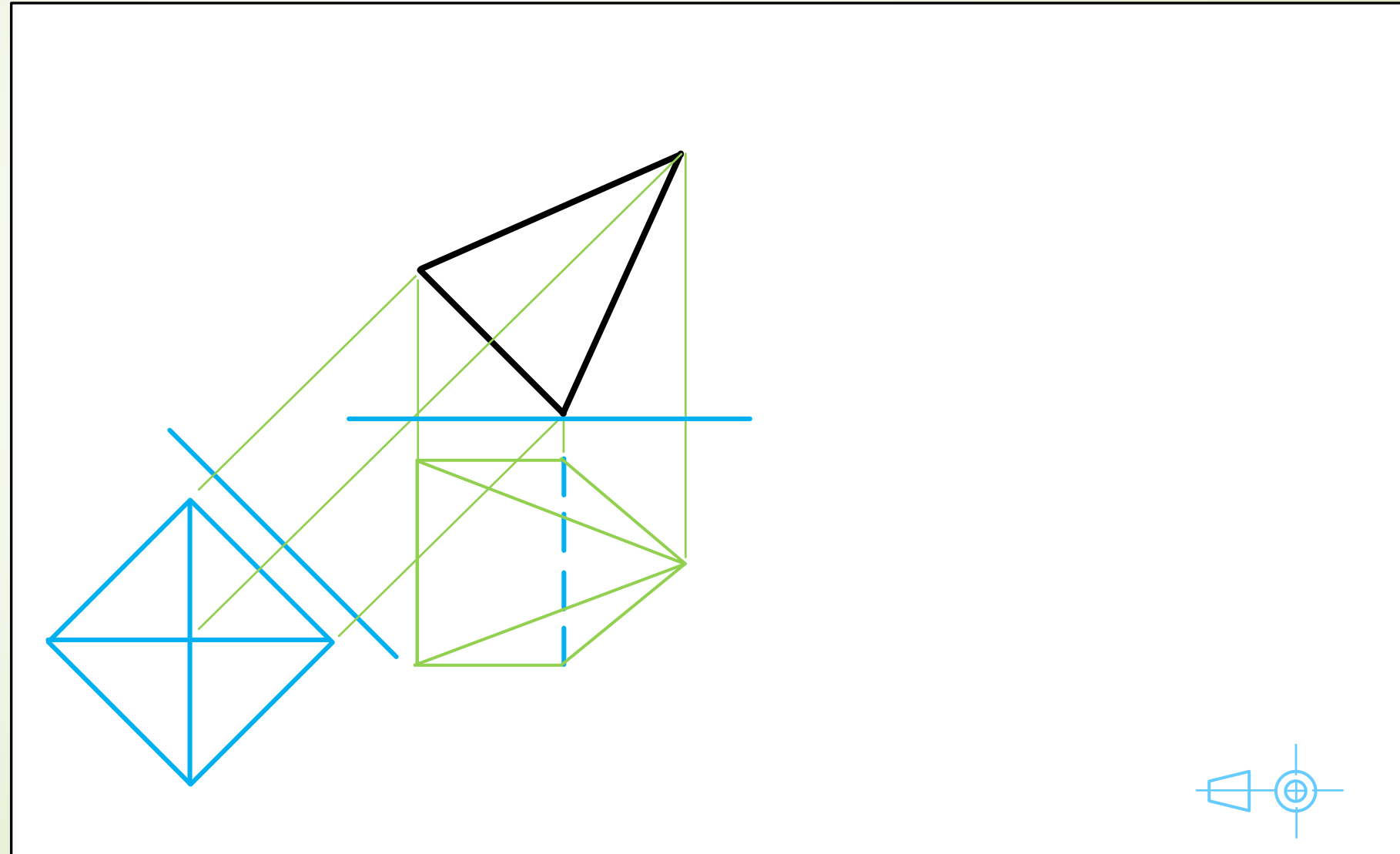
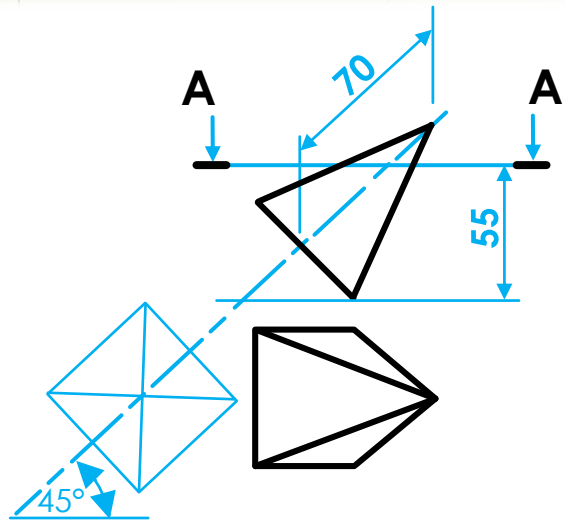
A combination of pyramids, prisms, cones and cylinders



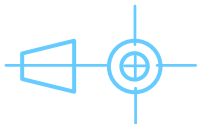
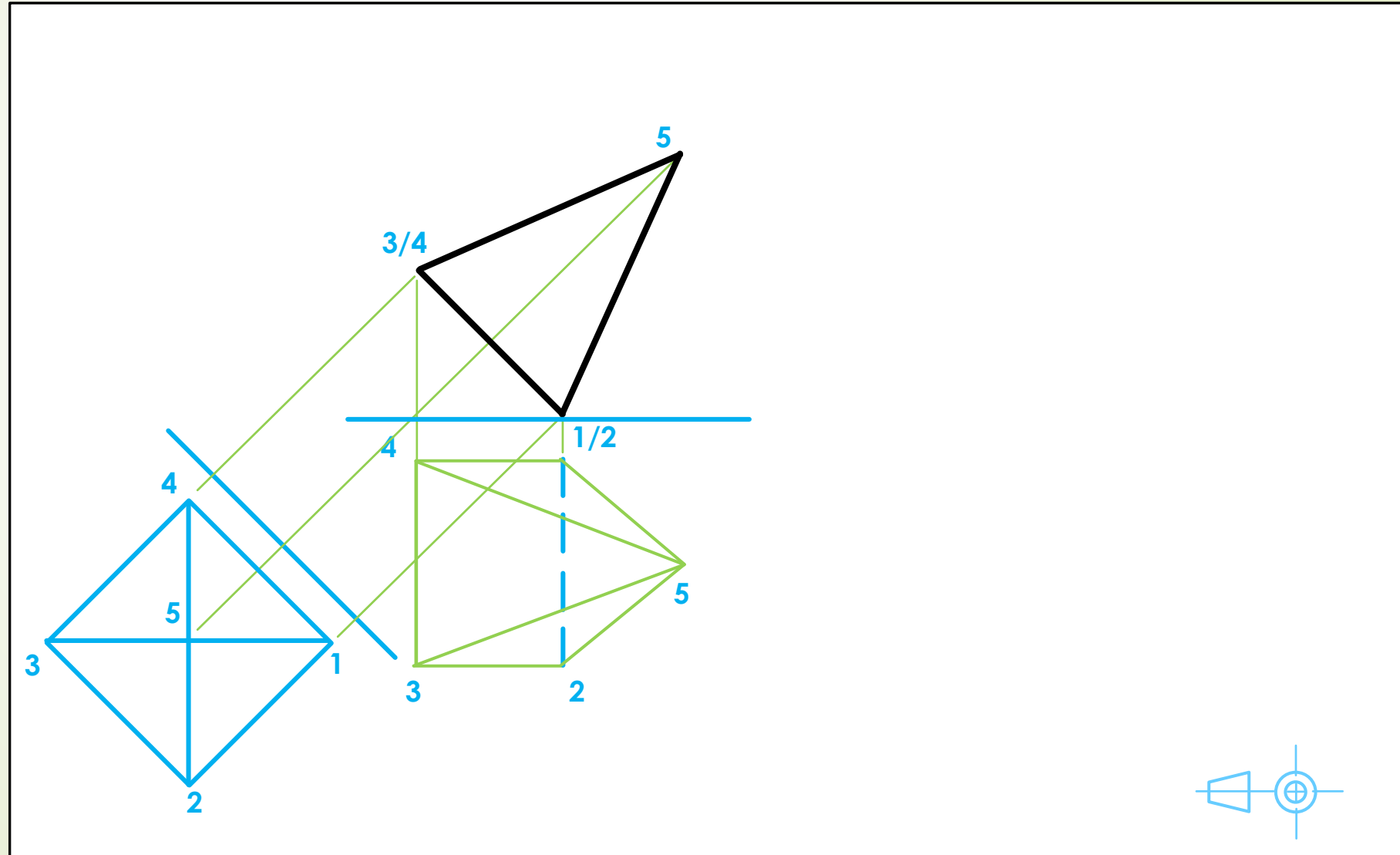
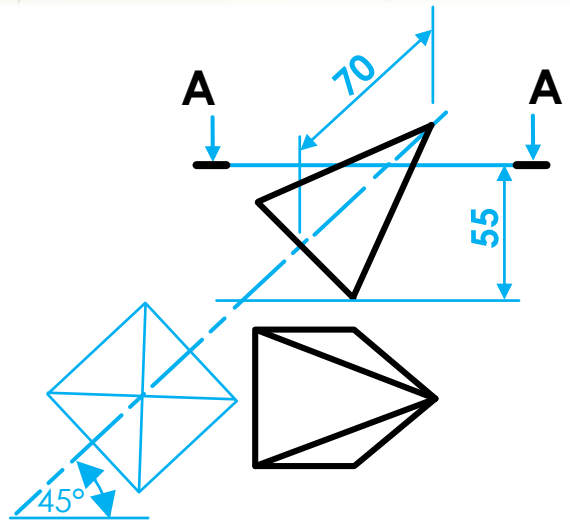
A combination of pyramids, prisms, cones and cylinders



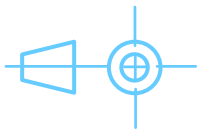
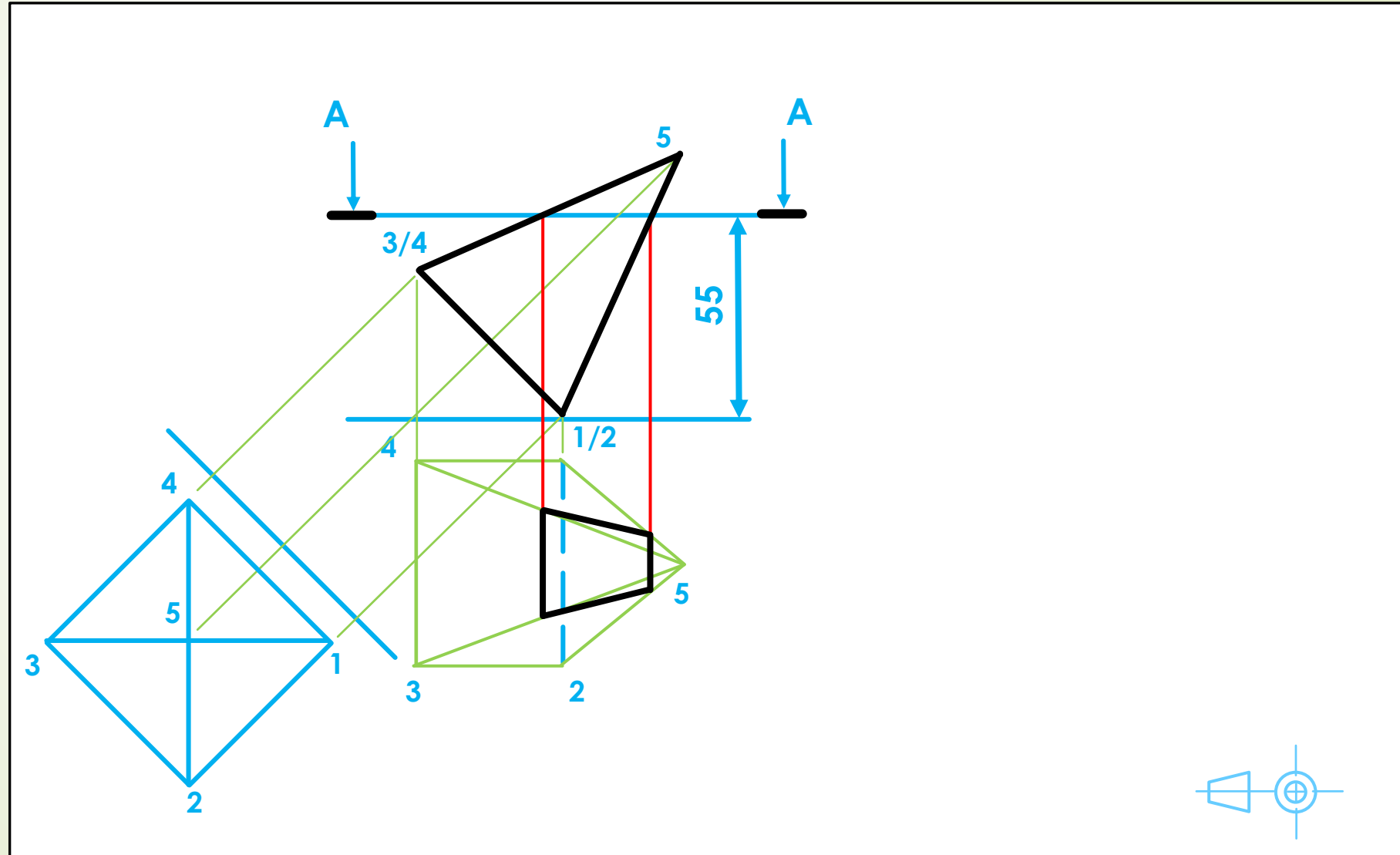
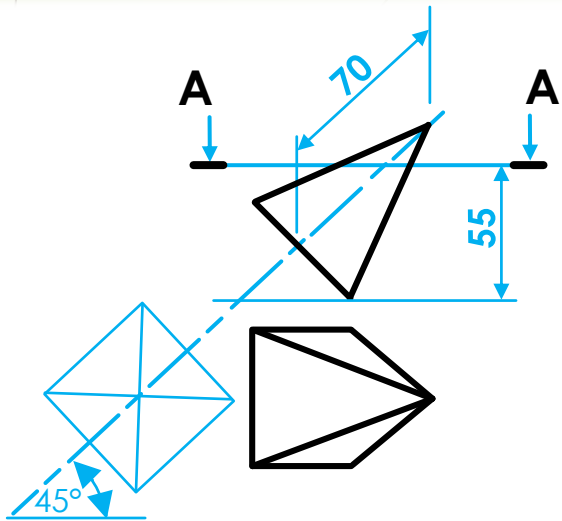
A combination of pyramids, prisms, cones and cylinders



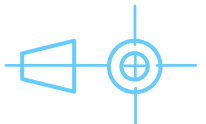
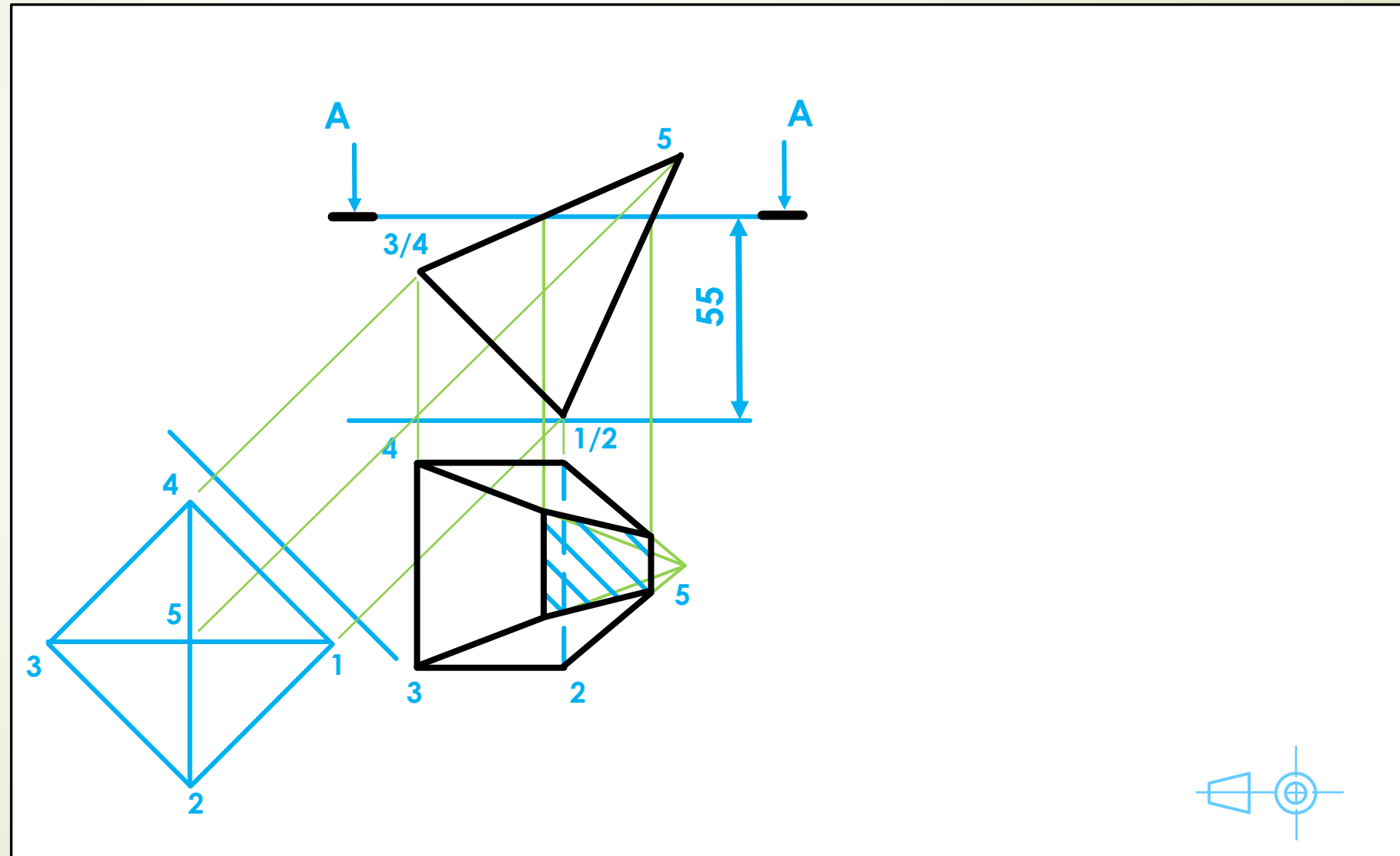
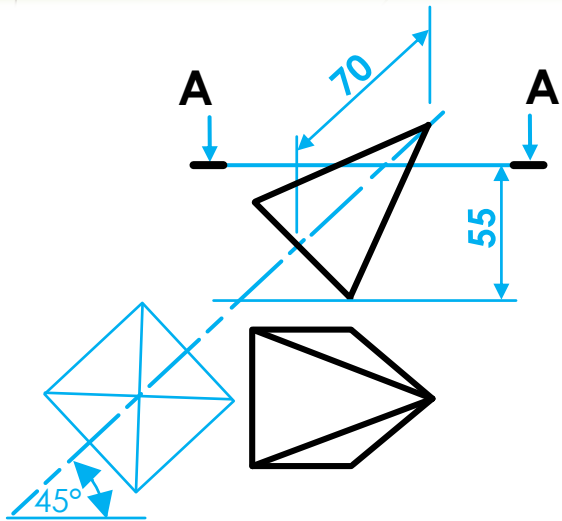
A combination of pyramids, prisms, cones and cylinders



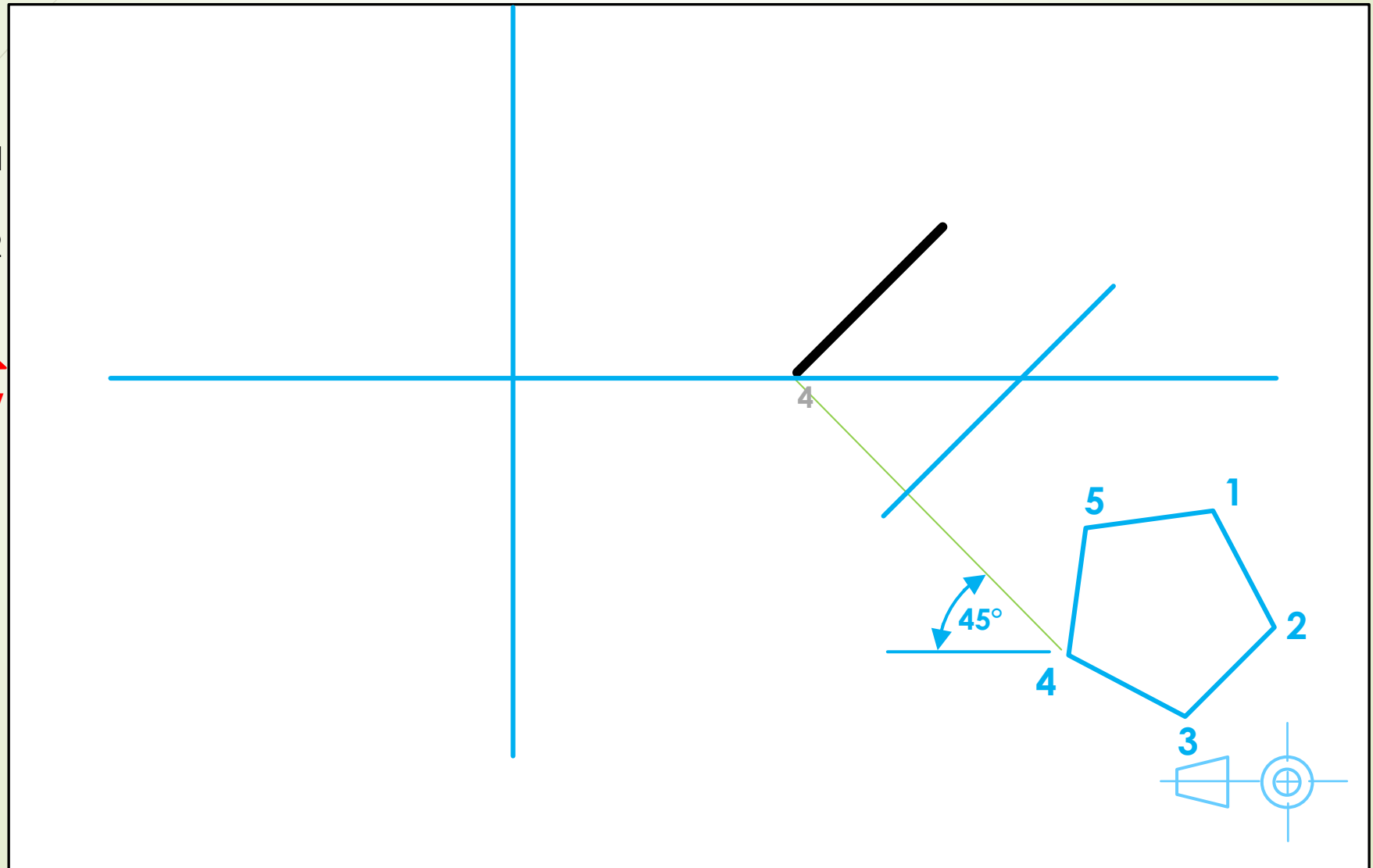
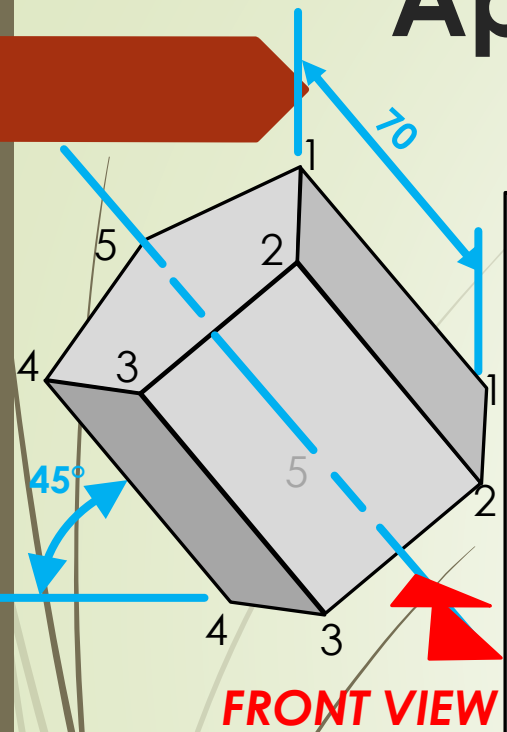
A combination of pyramids, prisms, cones and cylinders



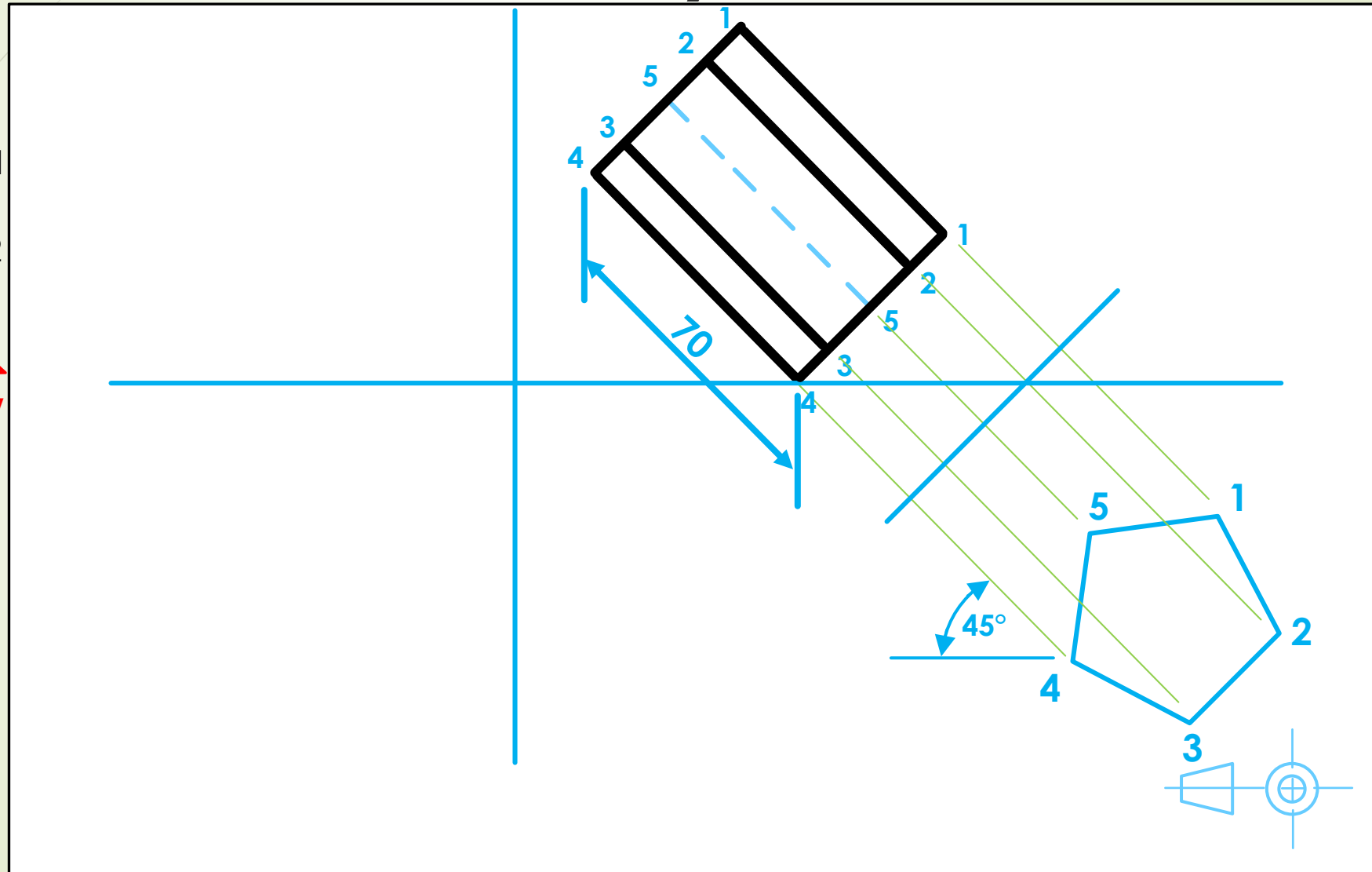
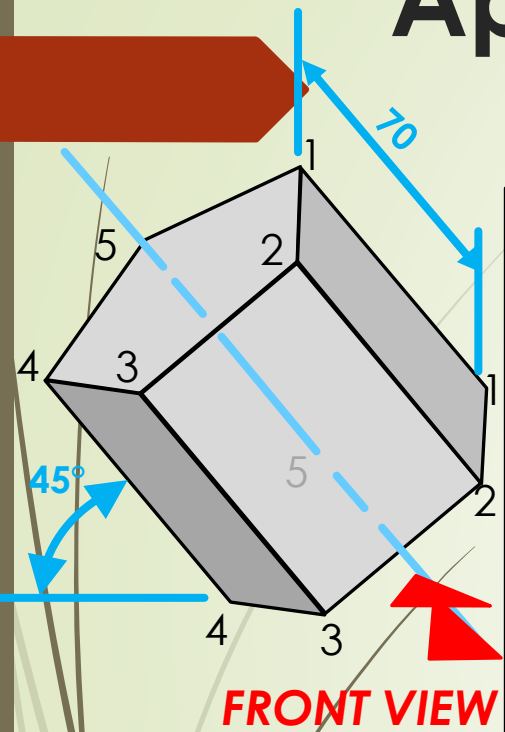
A combination of pyramids, prisms, cones and cylinders



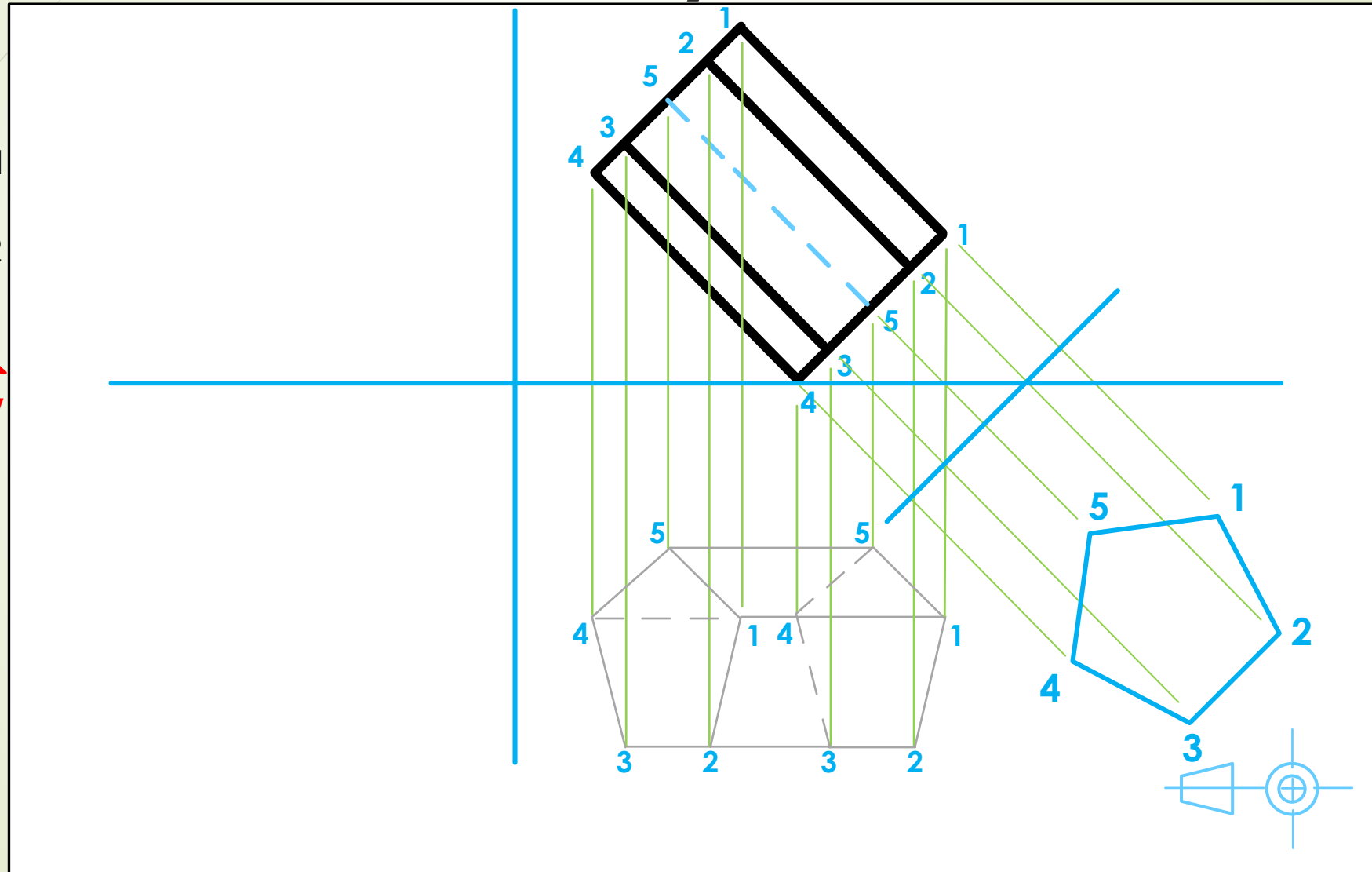
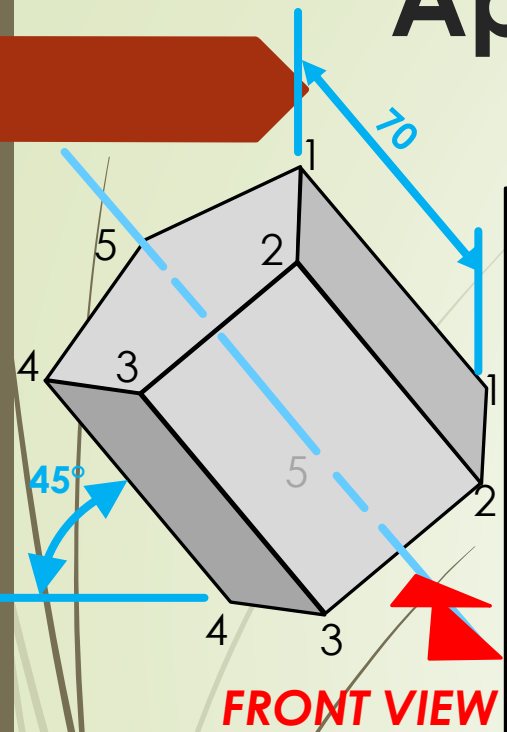
Application on pyramids, prisms, cones and cylinders



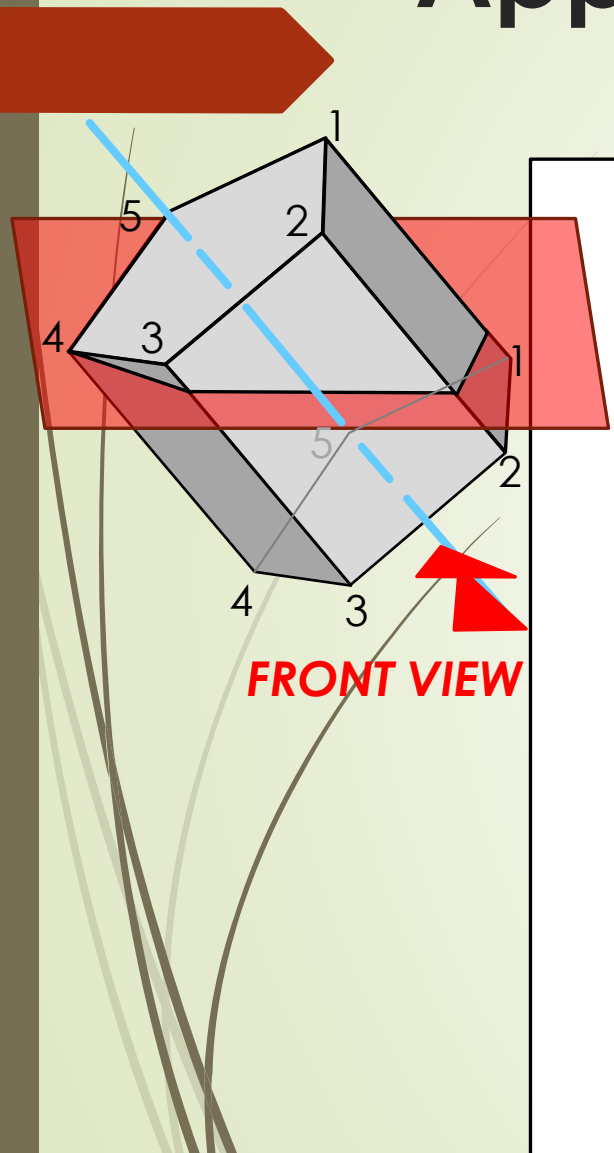
Application on pyramids, prisms, cones and cylinders



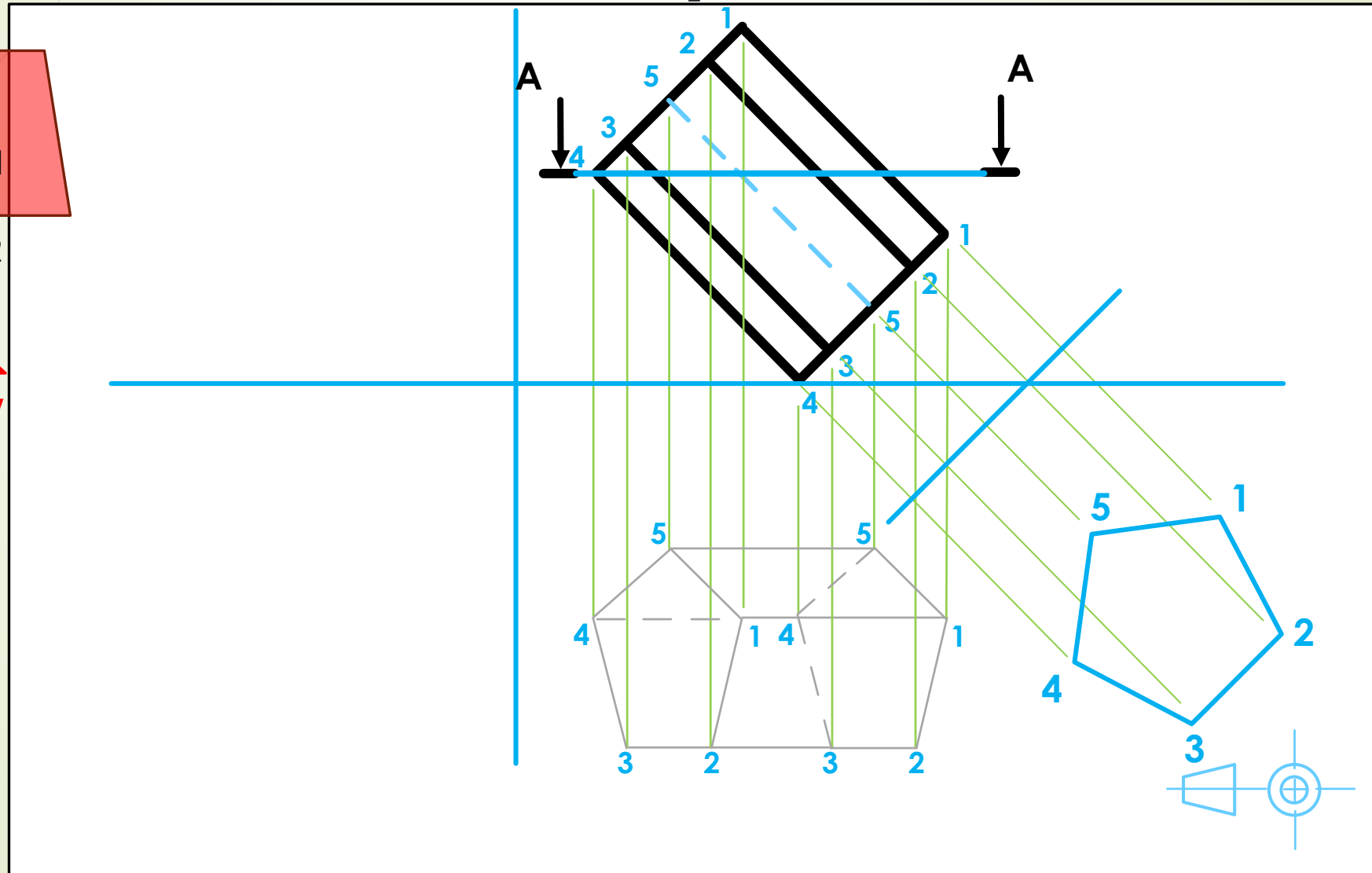
Application on pyramids, prisms, cones and cylinders



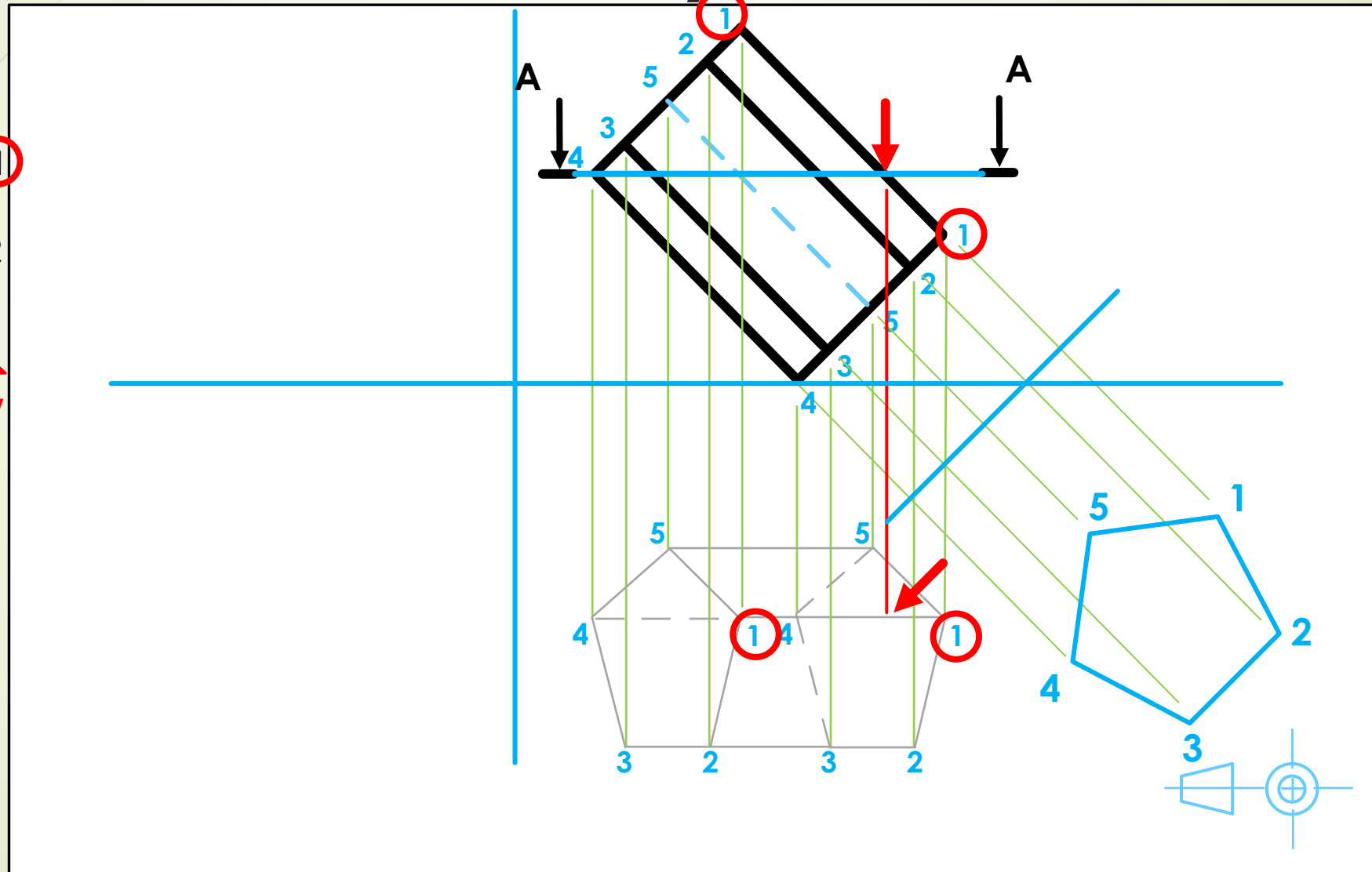
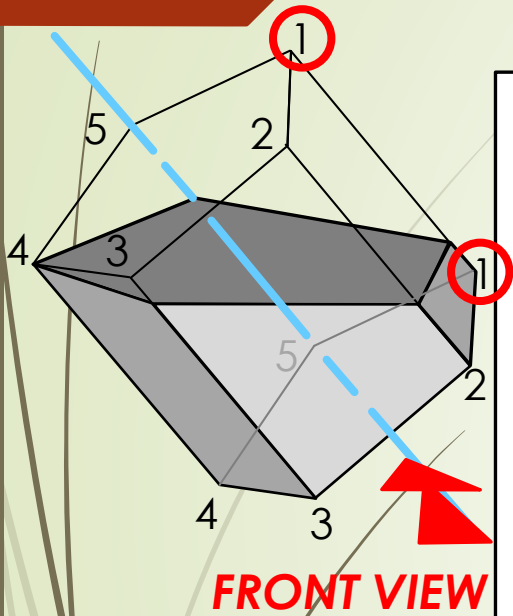
Application on pyramids, prisms, cones and cylinders



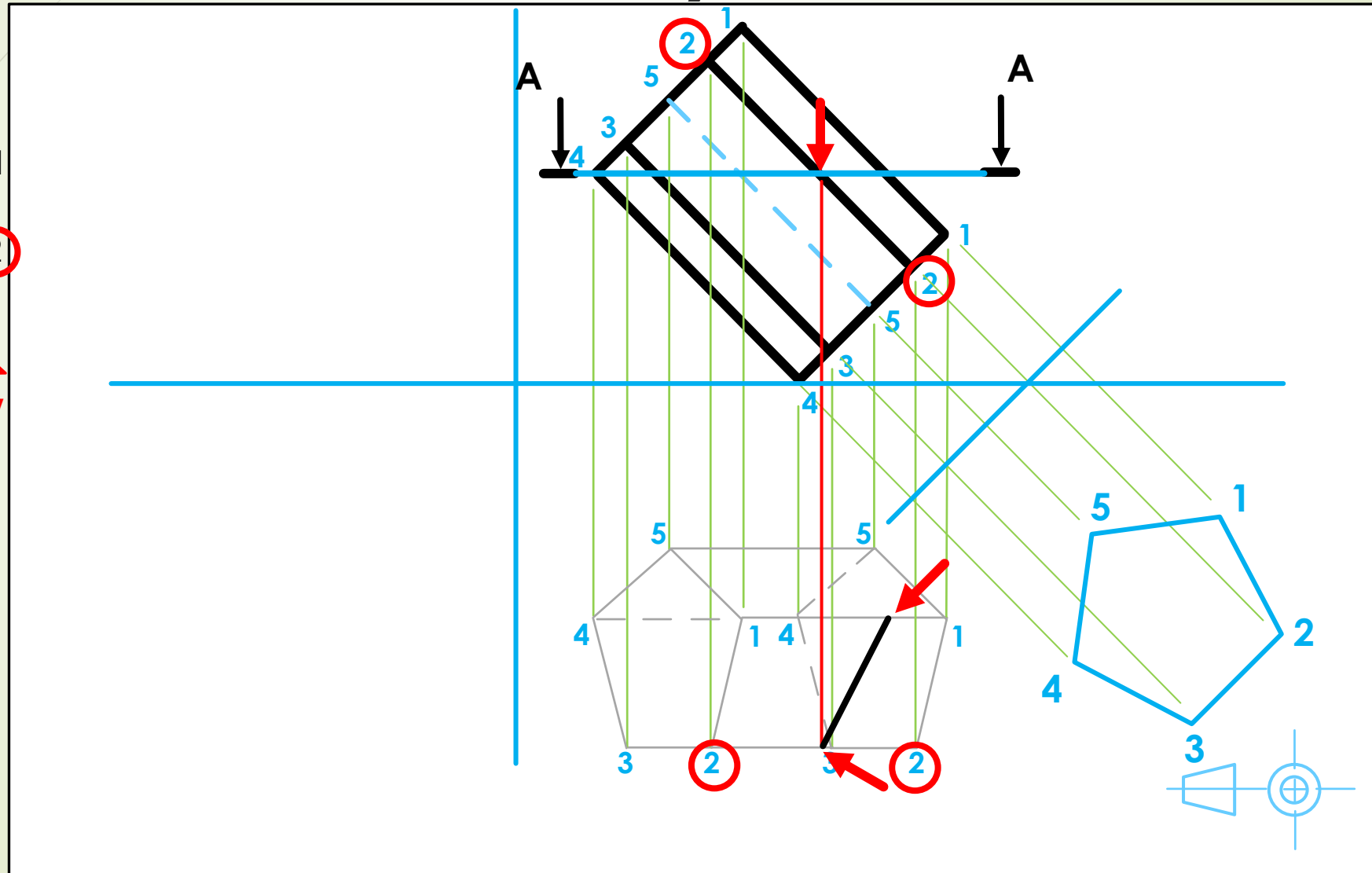
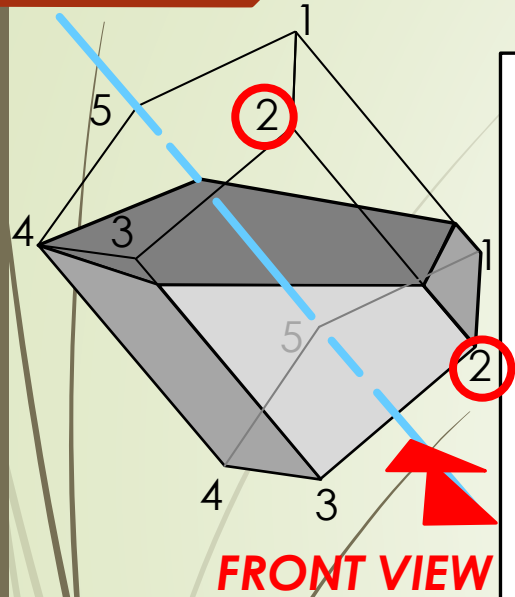
FRONT VIEW



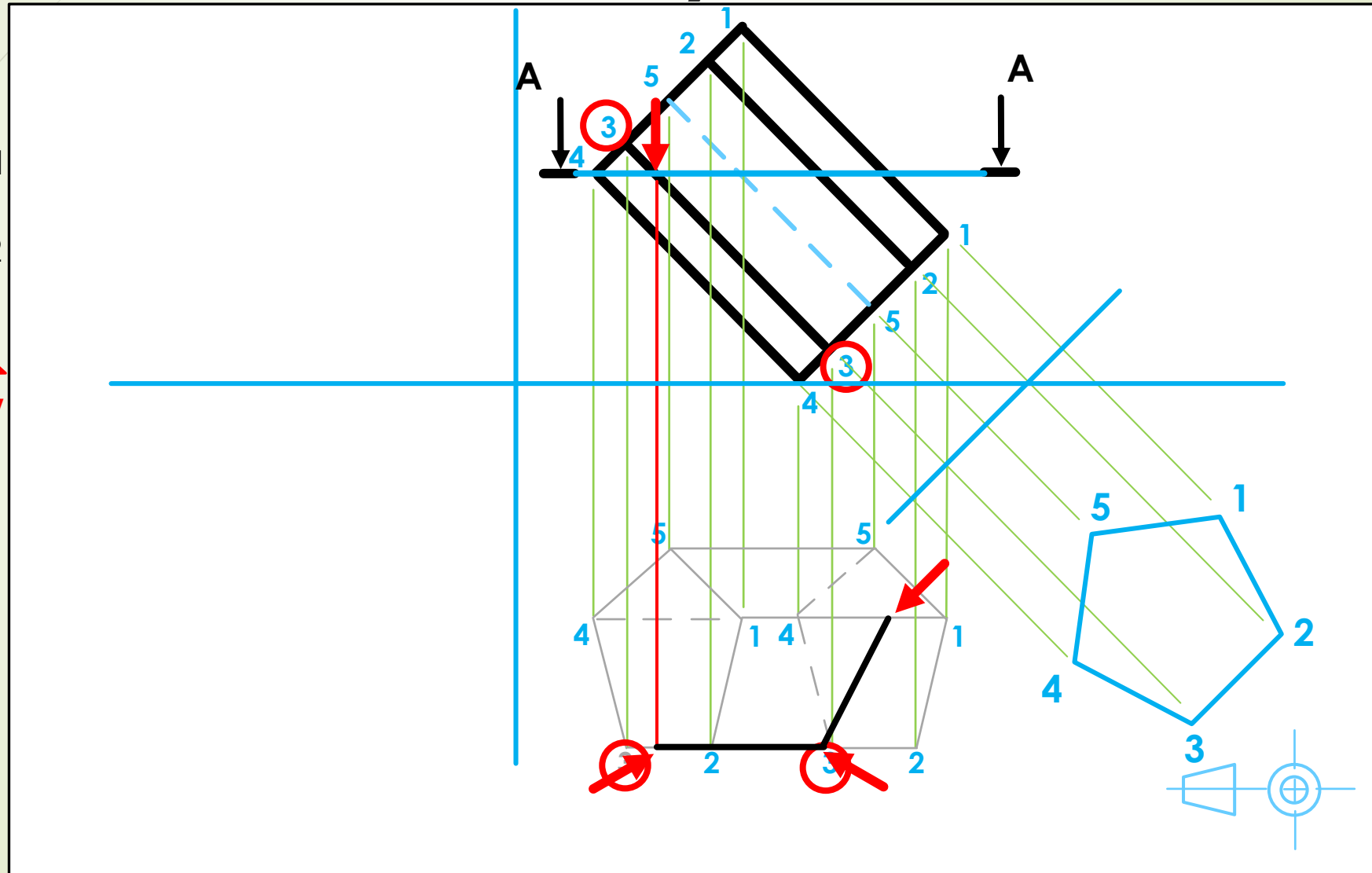
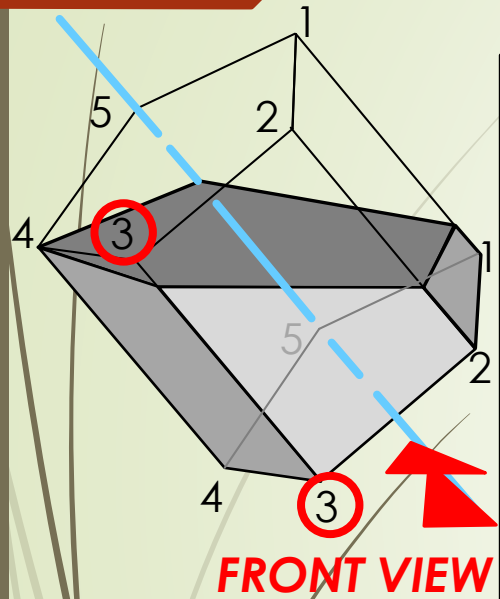
Application on pyramids, prisms, cones and cylinders



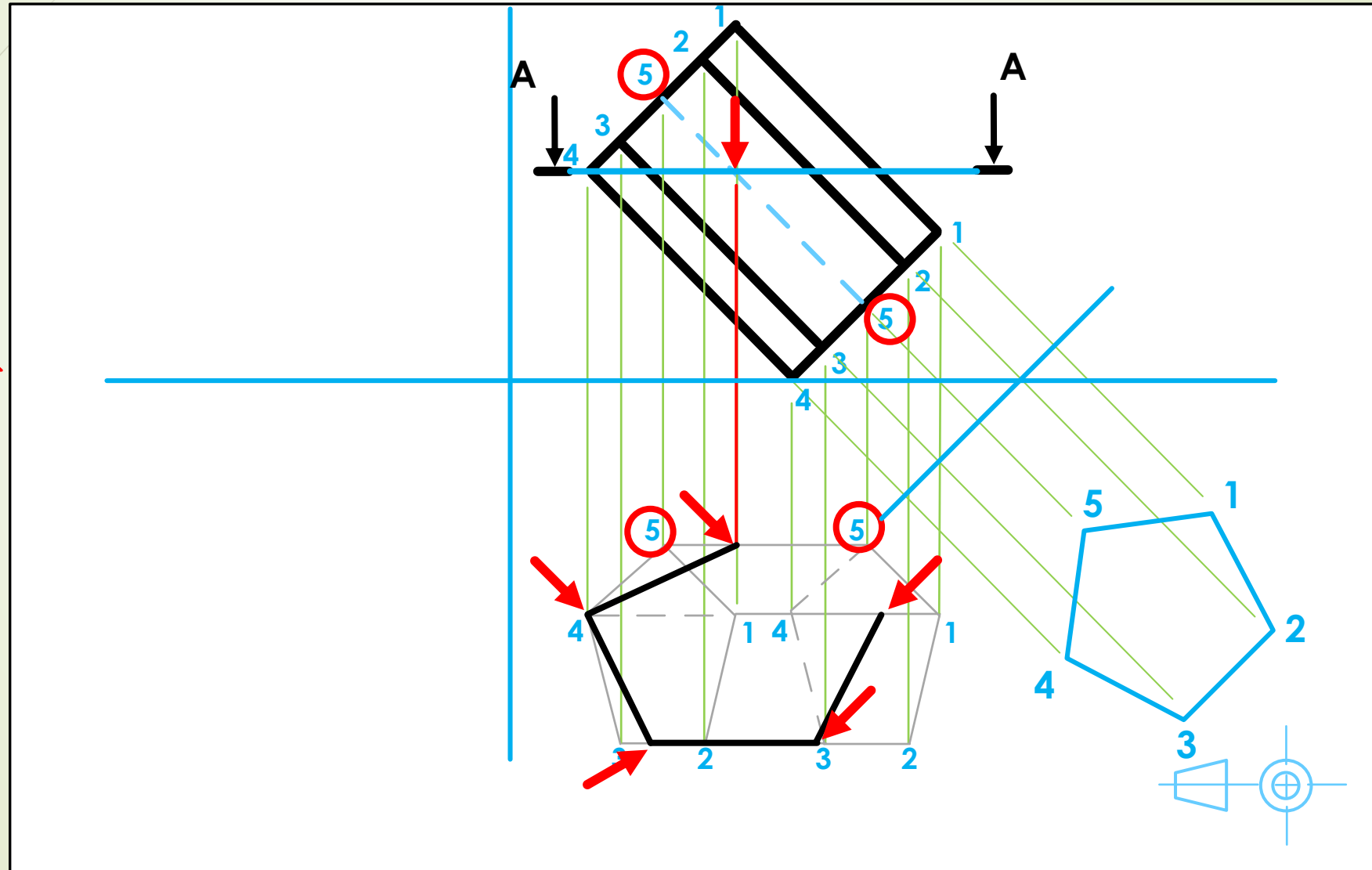
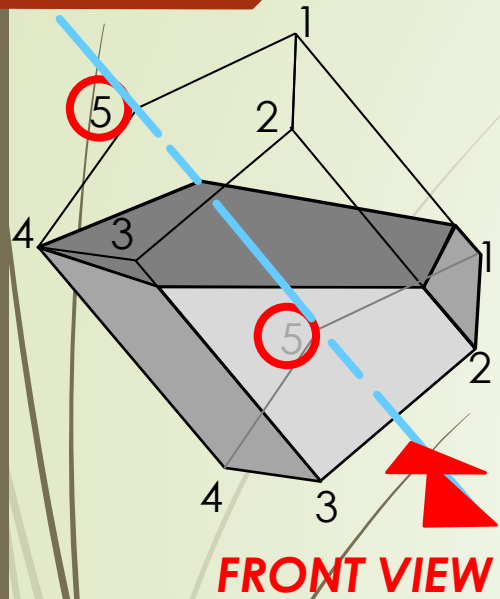
Application on pyramids, prisms, cones and cylinders



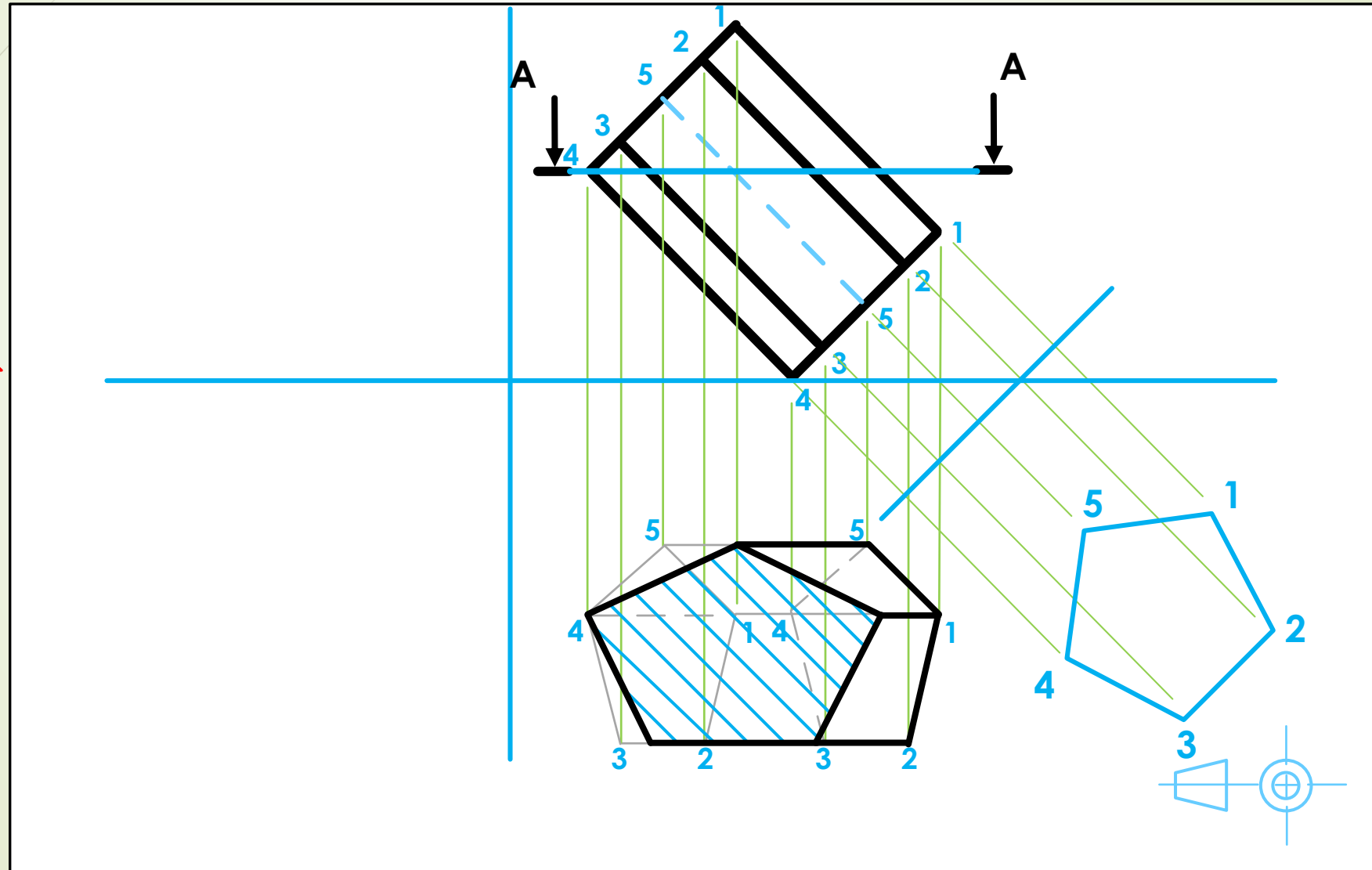
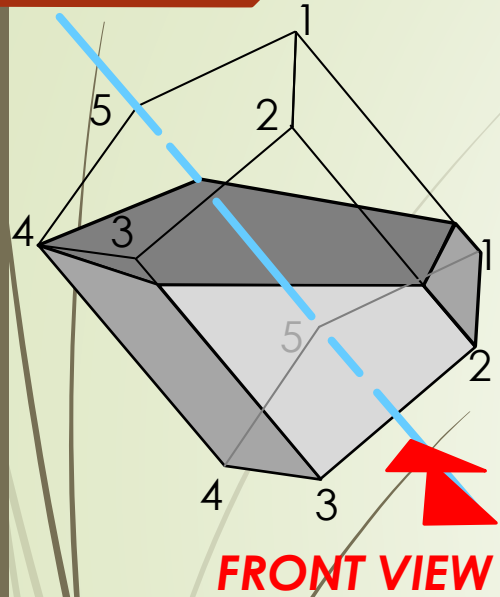
Application on pyramids, prisms, cones and cylinders



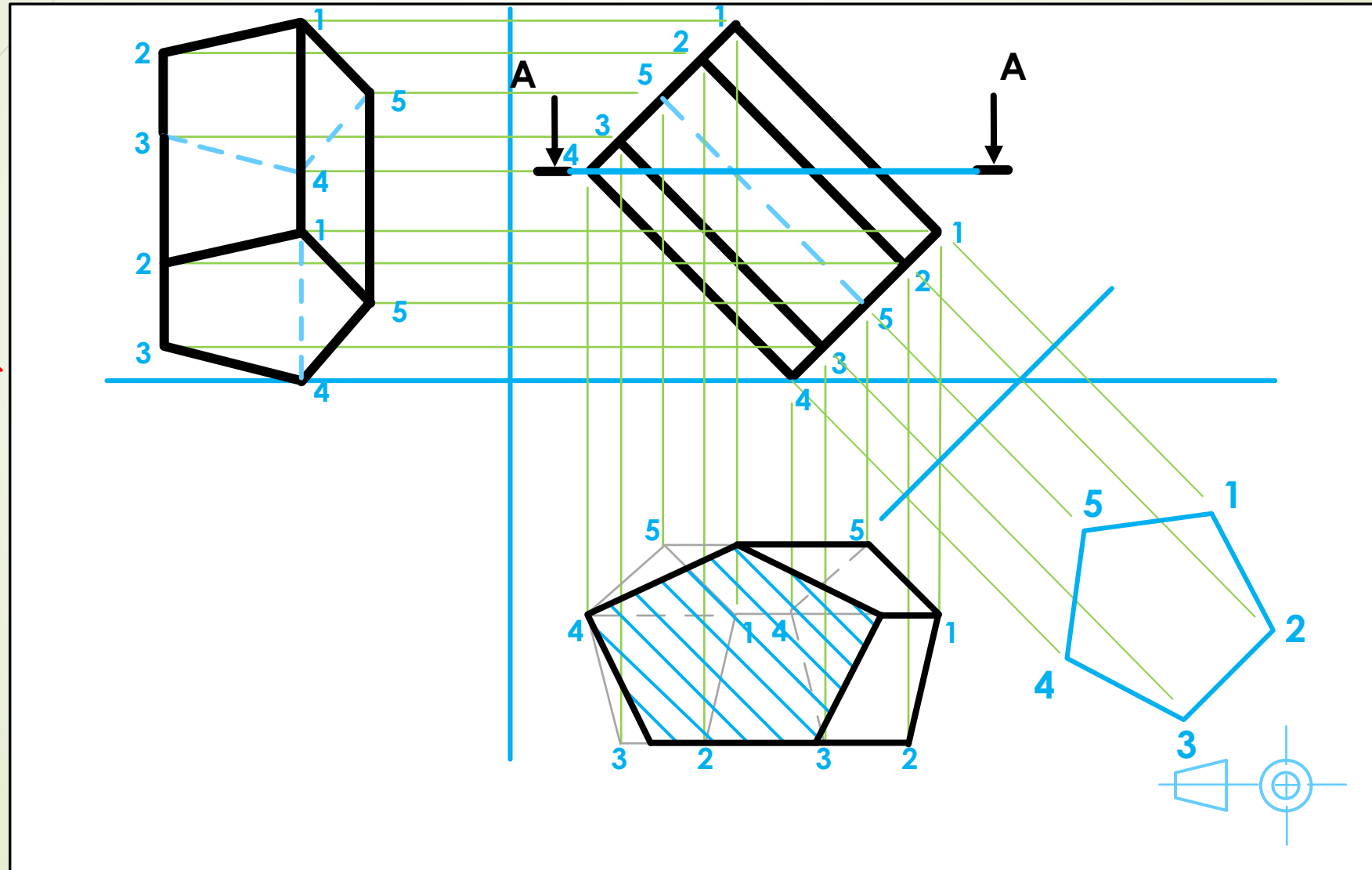
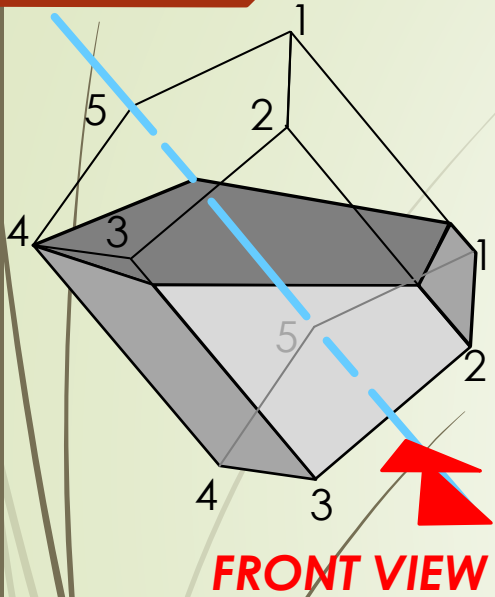
Application on pyramids, prisms, cones and cylinders



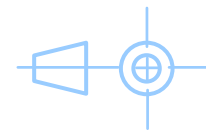
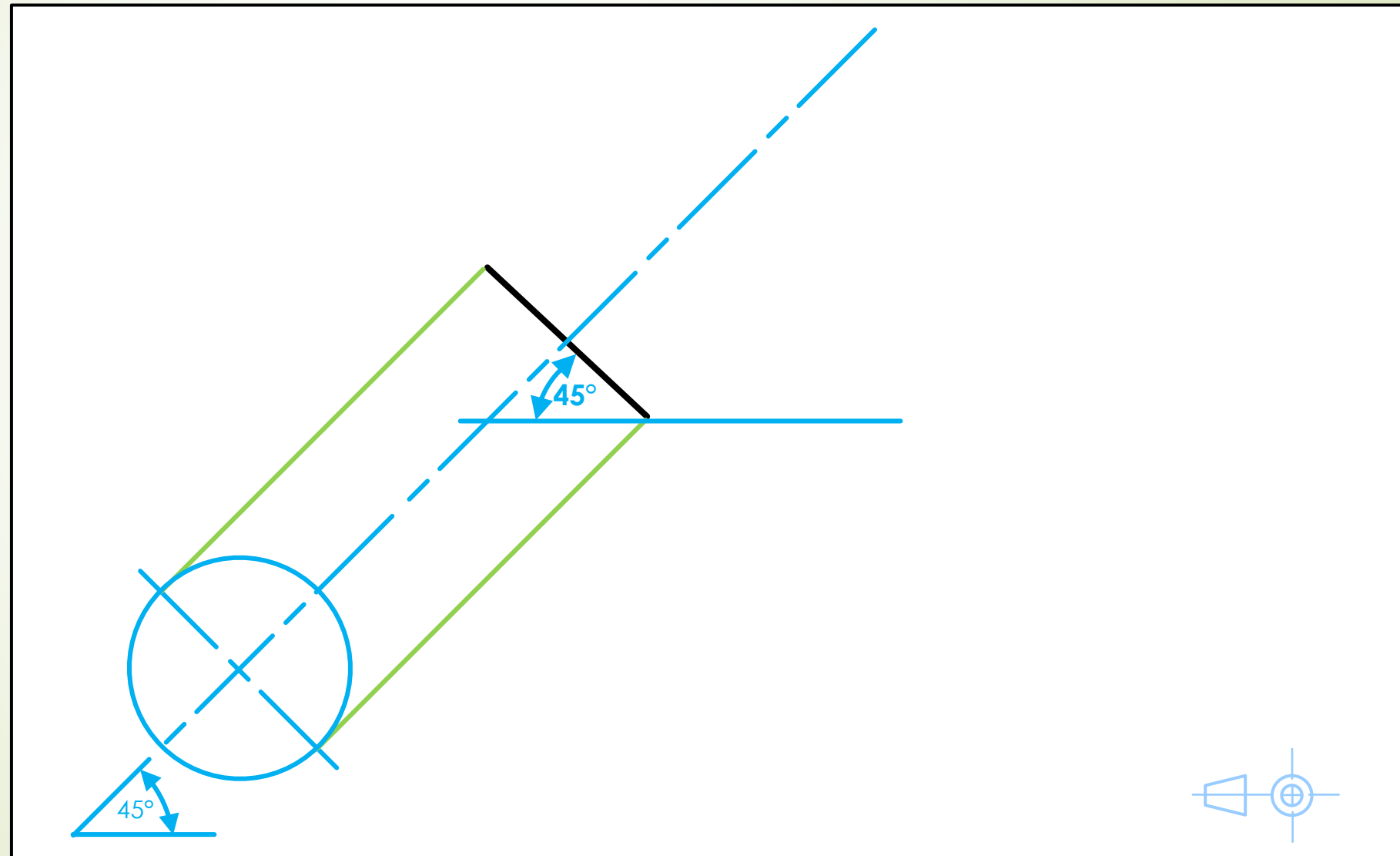
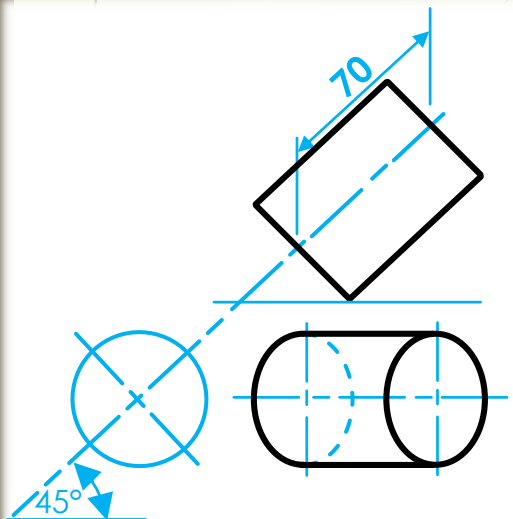
Application on pyramids, prisms, cones and cylinders



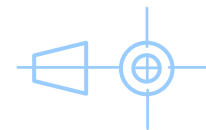
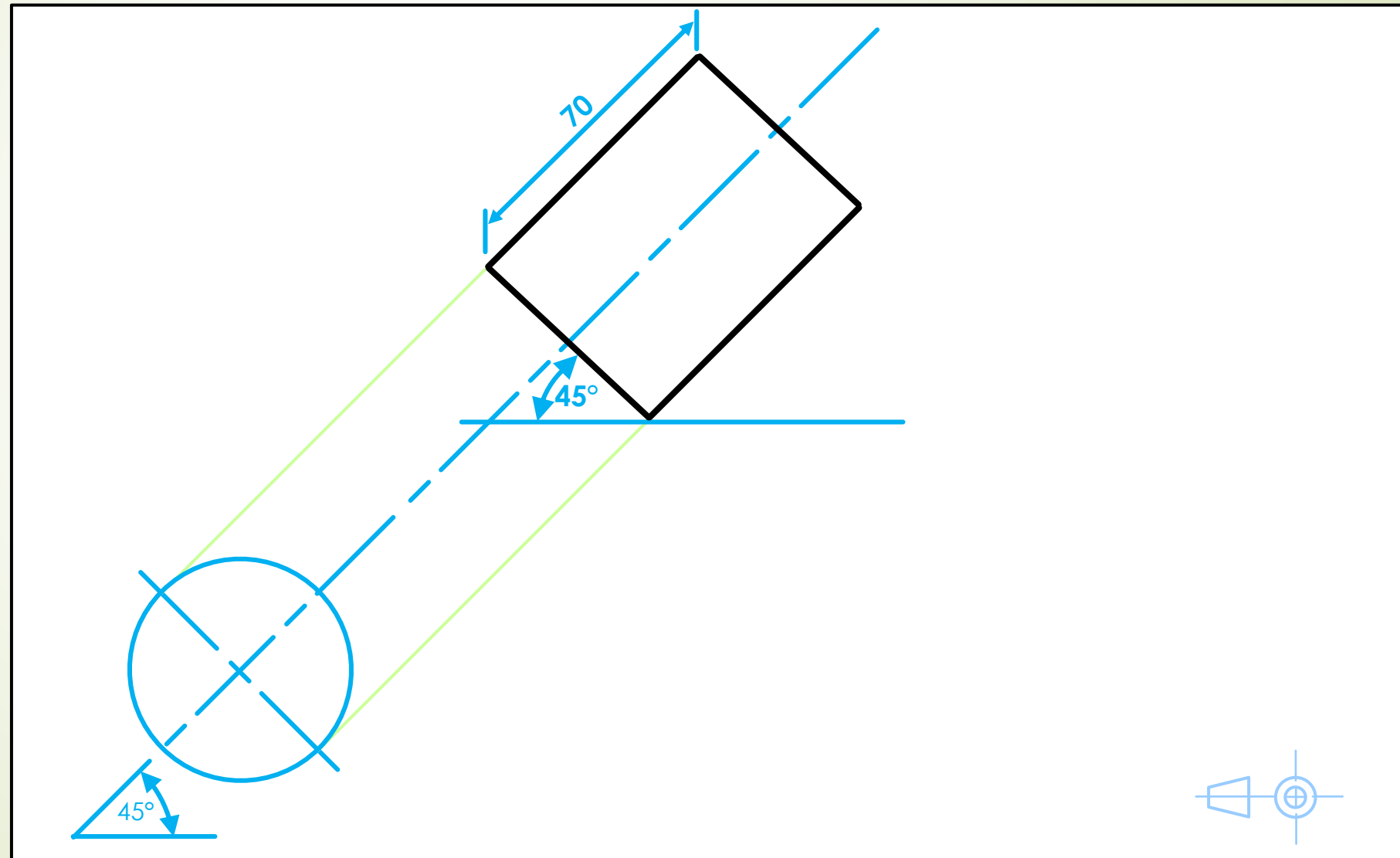
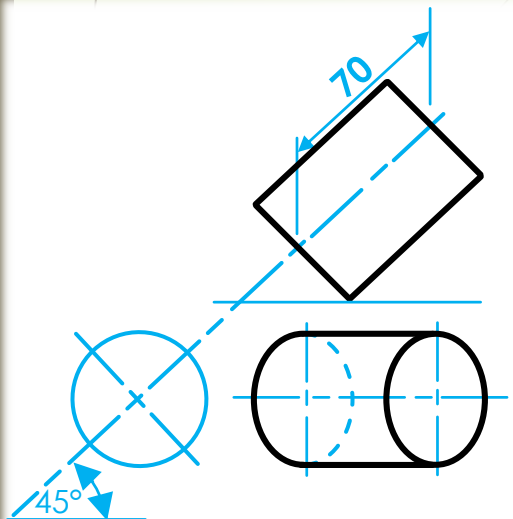
Application on pyramids, prisms, cones and cylinders



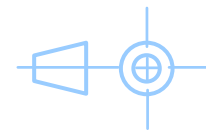
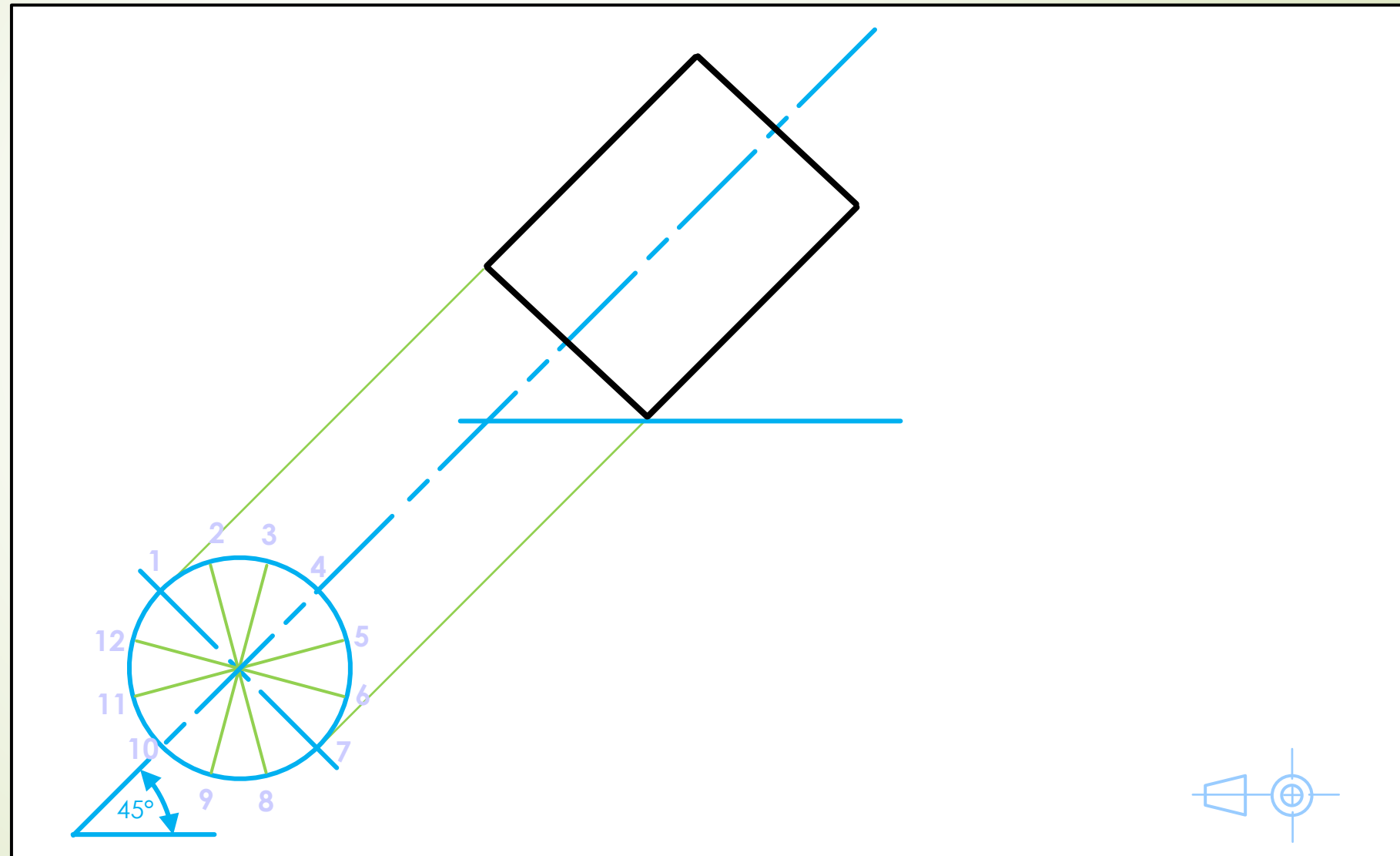
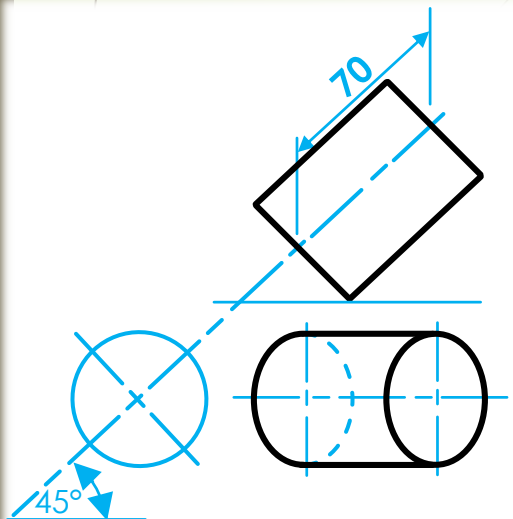
Application on pyramids, prisms, cones and cylinders



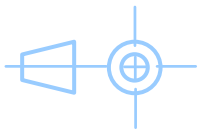
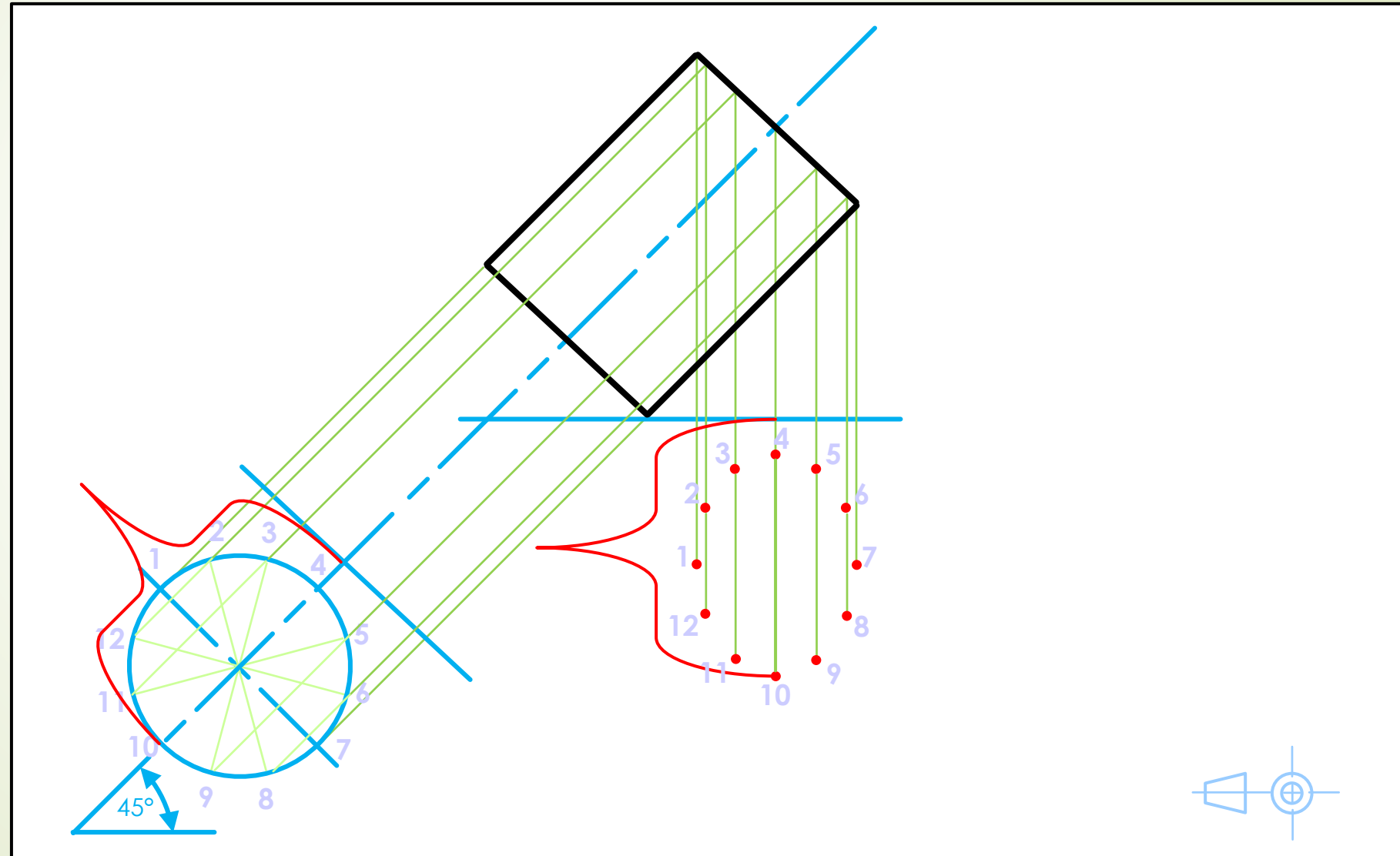
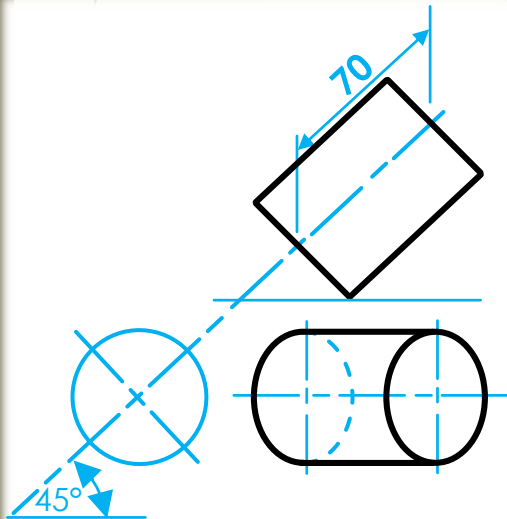
Application on pyramids, prisms, cones and cylinders



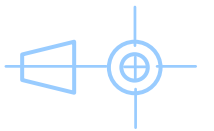
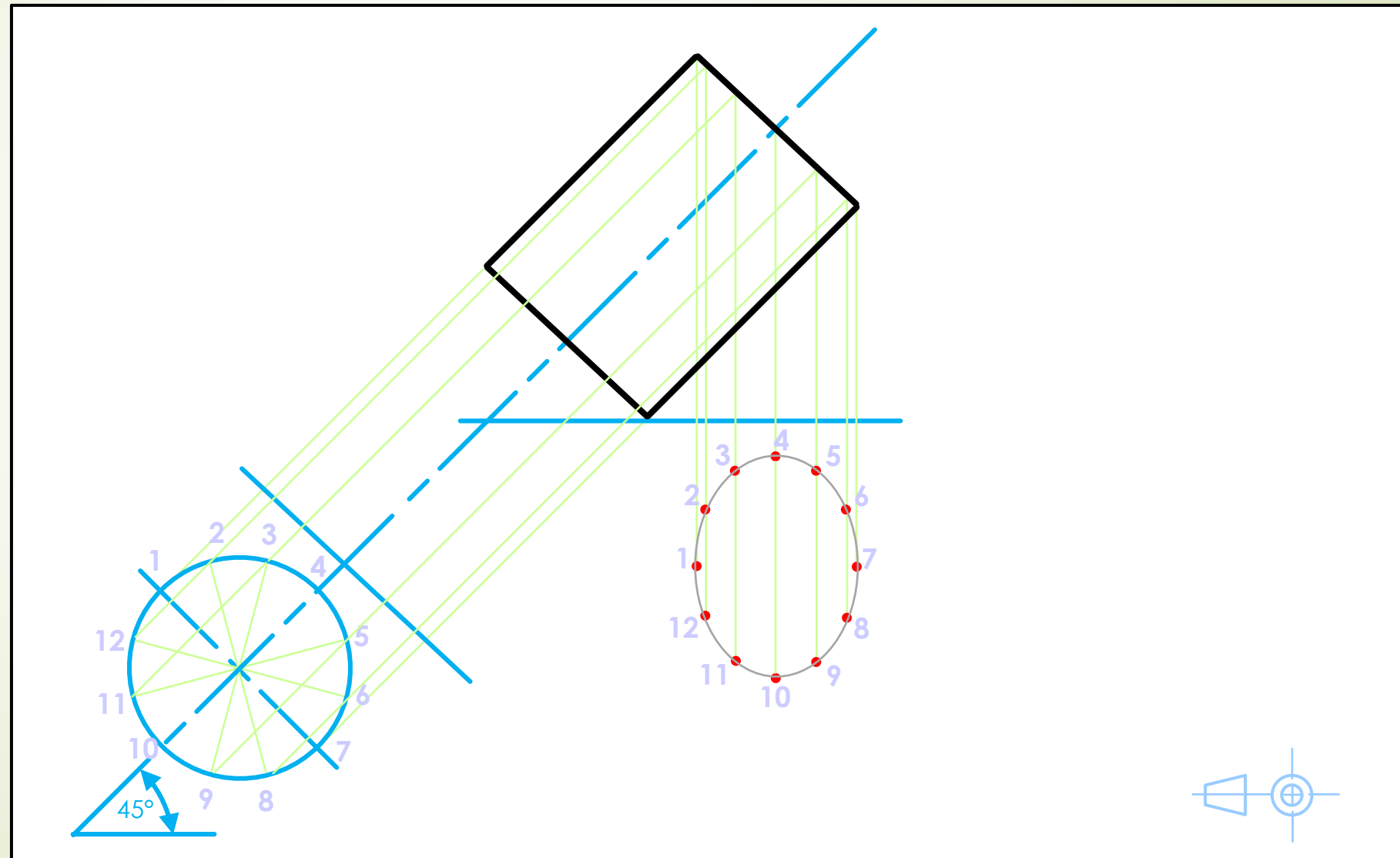
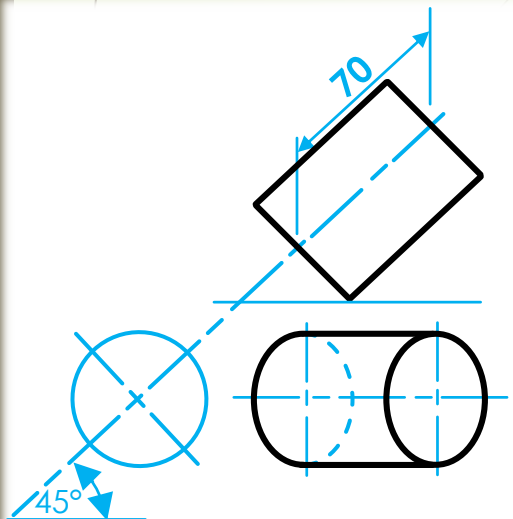
Application on pyramids, prisms, cones and cylinders



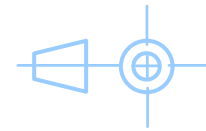
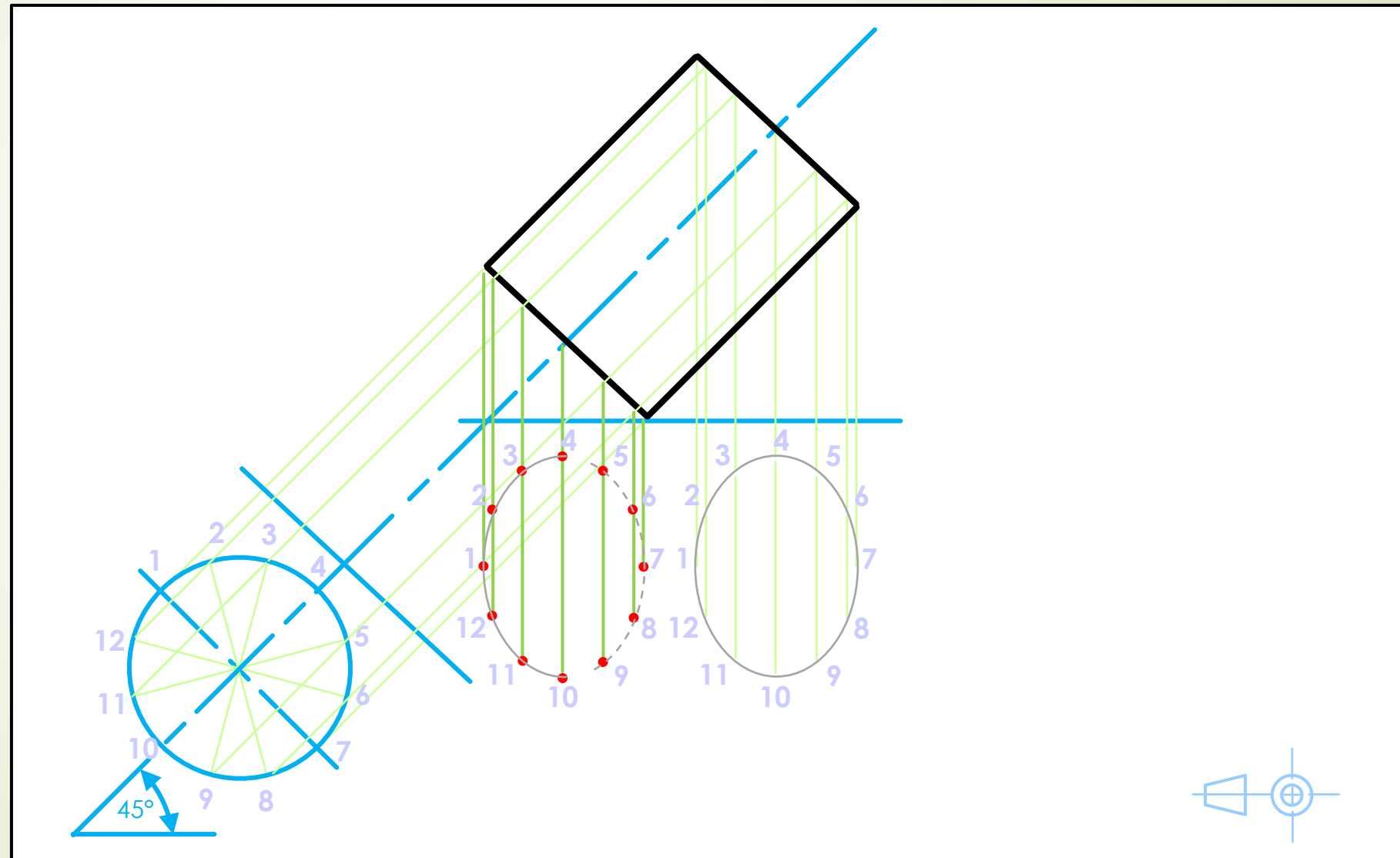
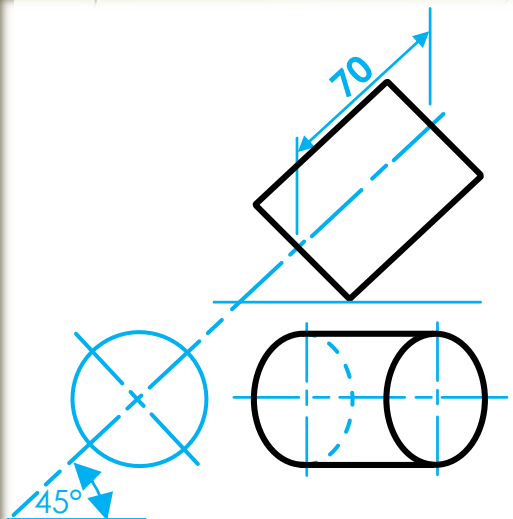
Application on pyramids, prisms, cones and cylinders



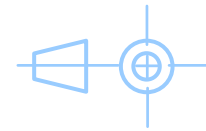
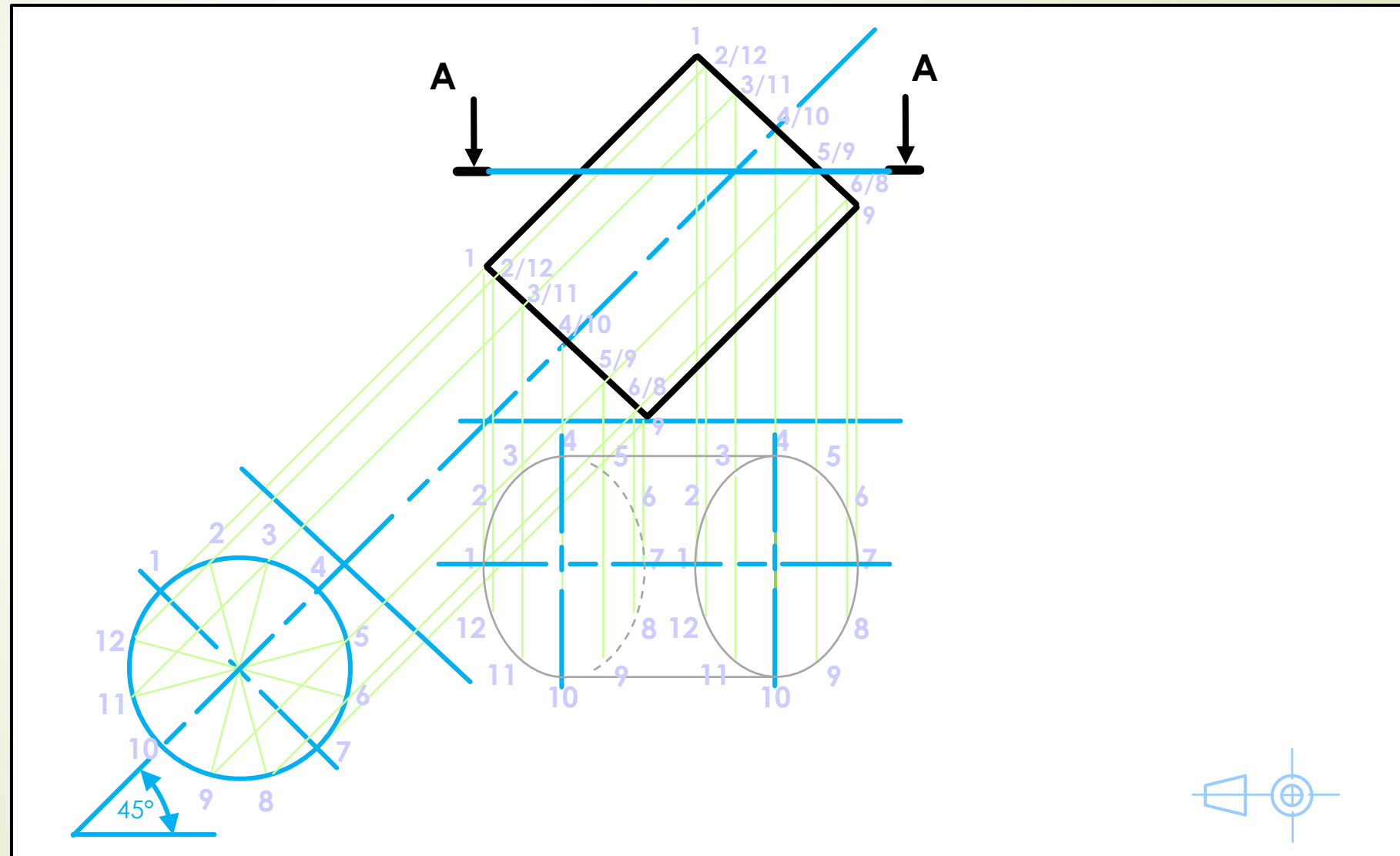
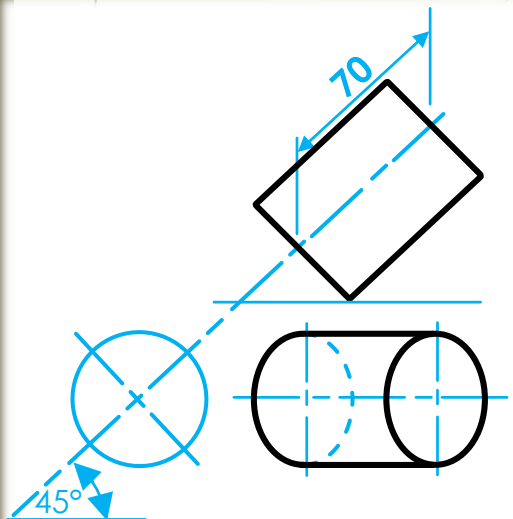
Application on pyramids, prisms, cones and cylinders



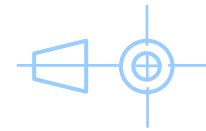
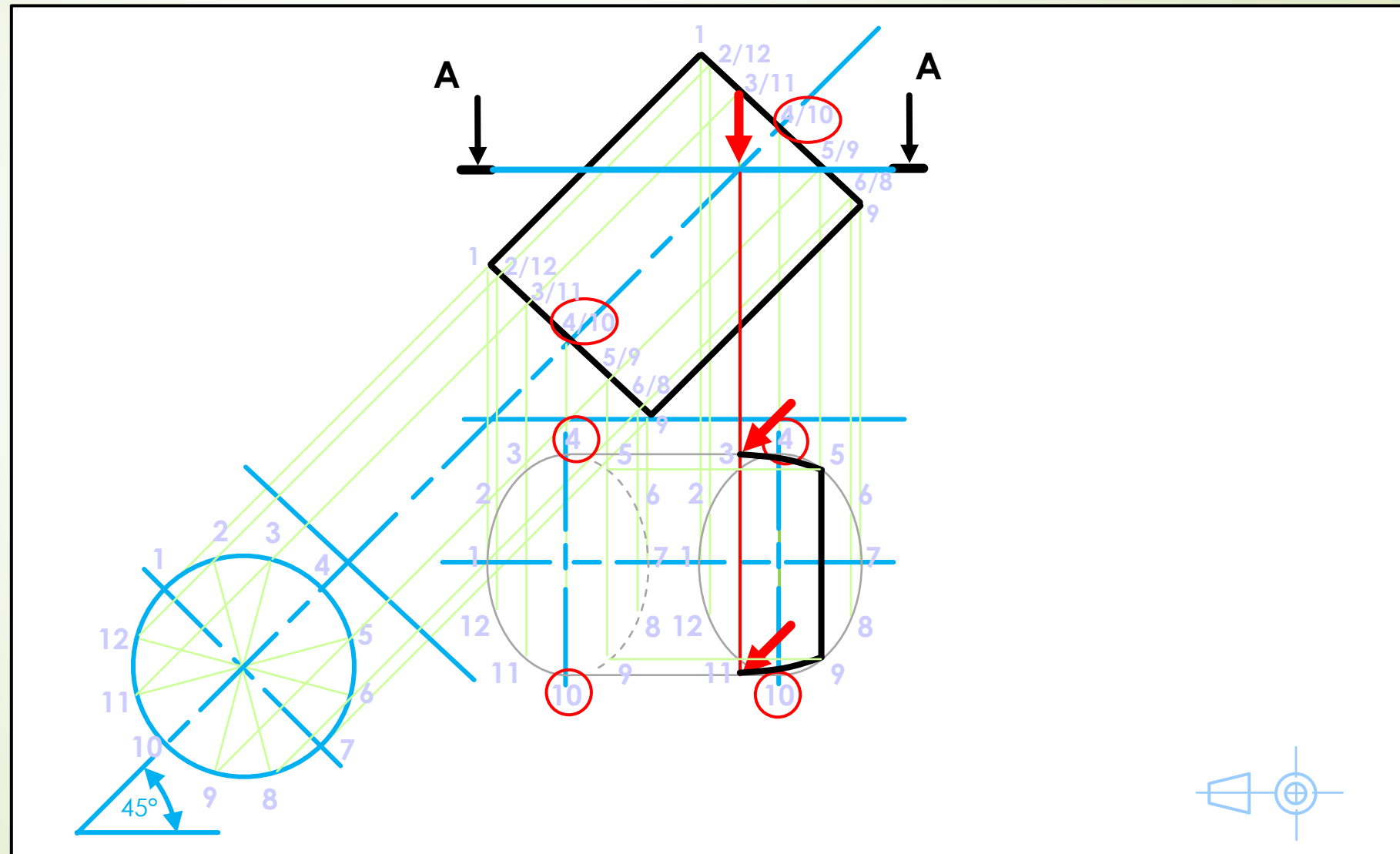
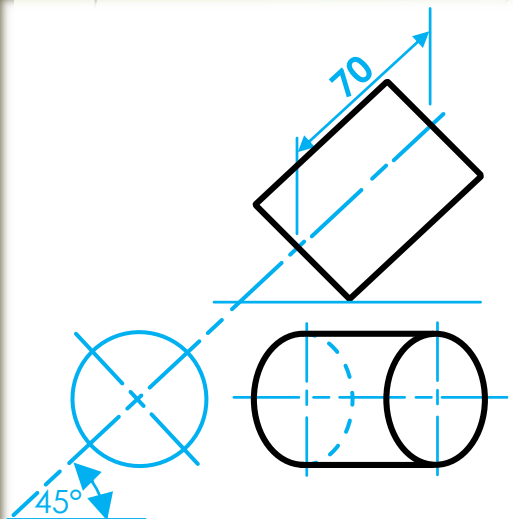
Application on pyramids, prisms, cones and cylinders



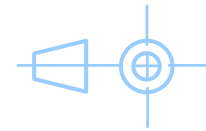
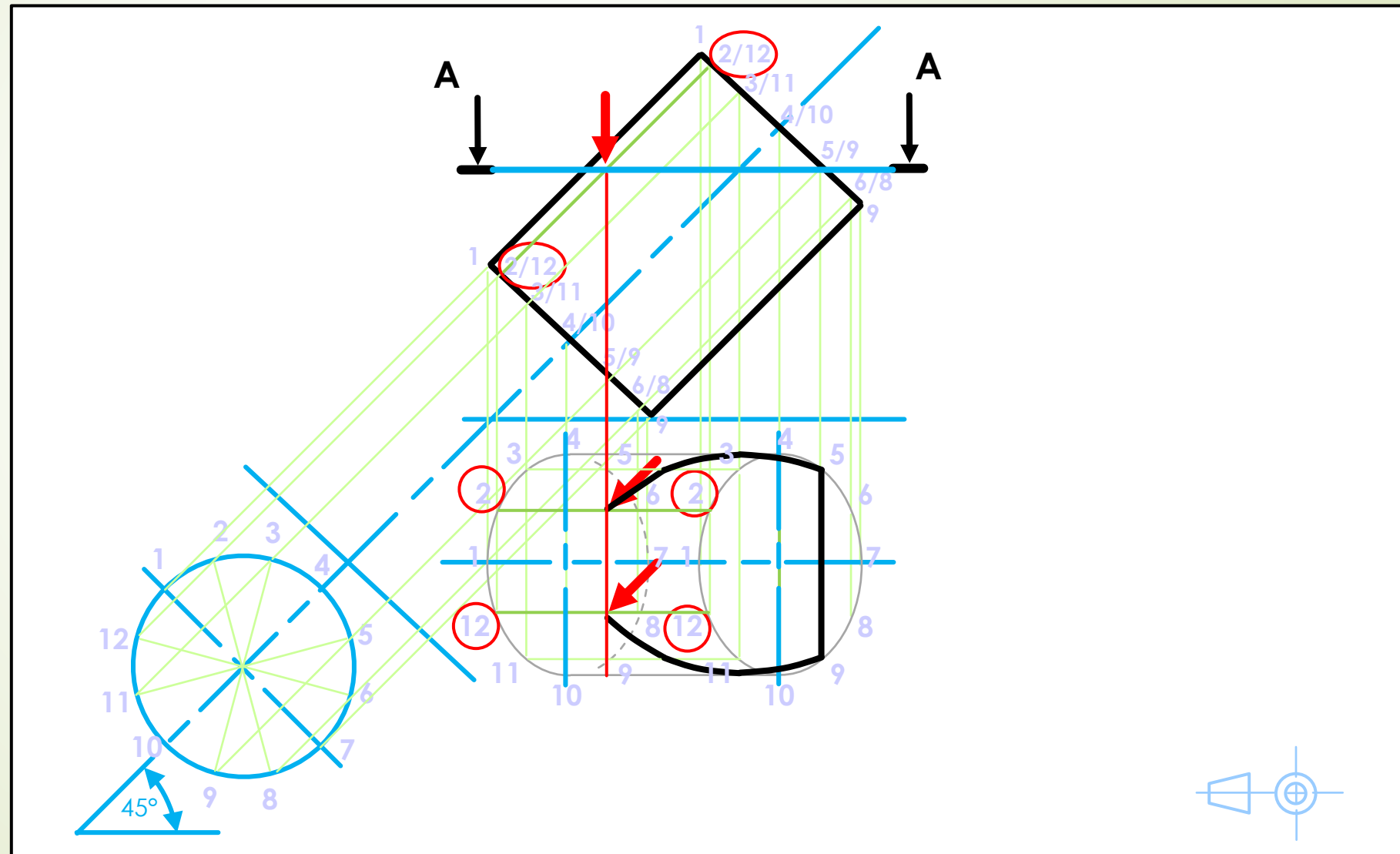
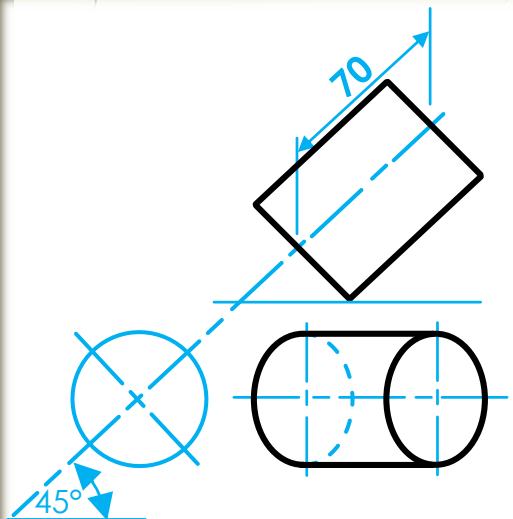
Application on pyramids, prisms, cones and cylinders



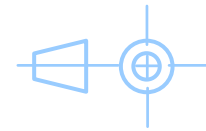
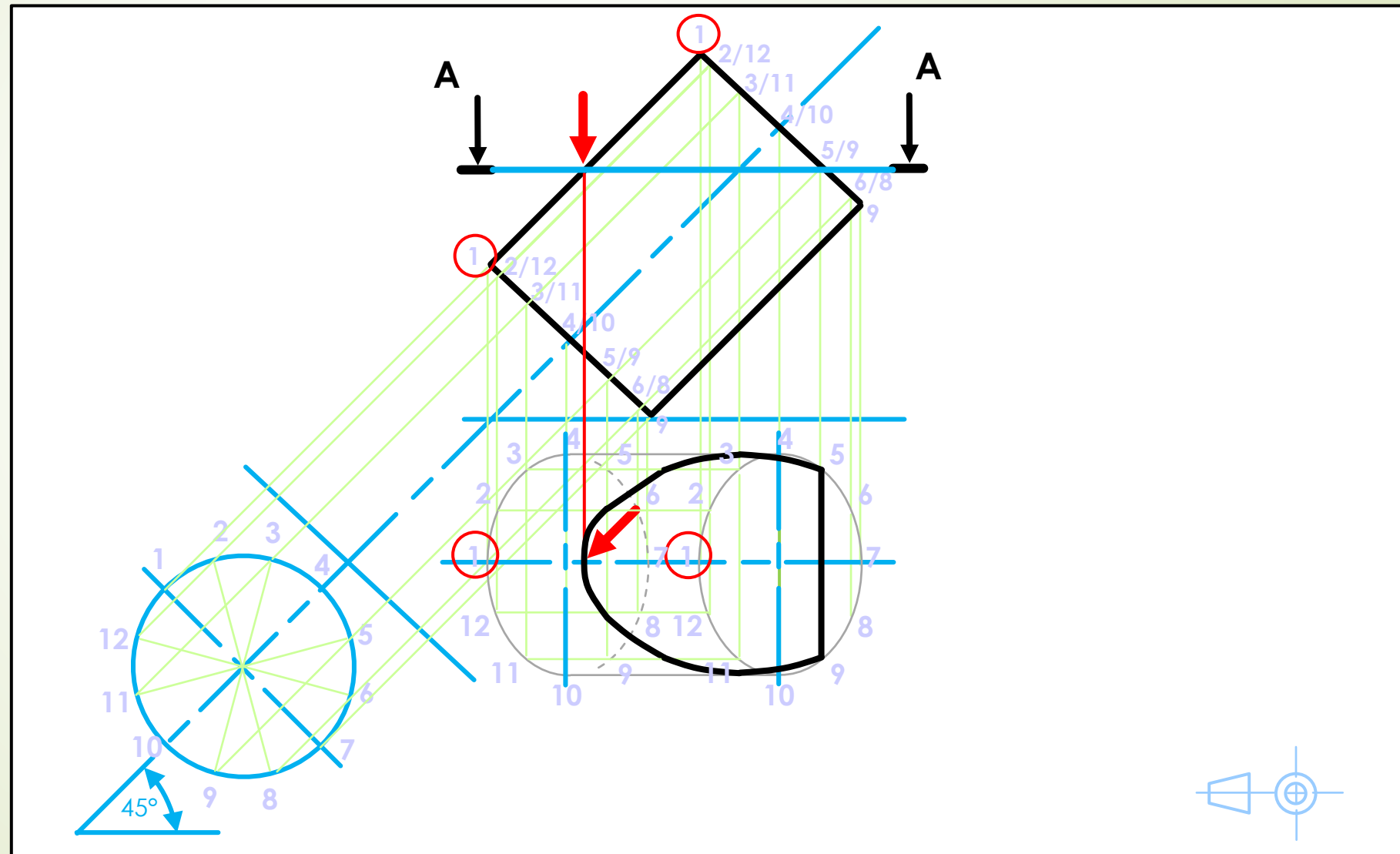
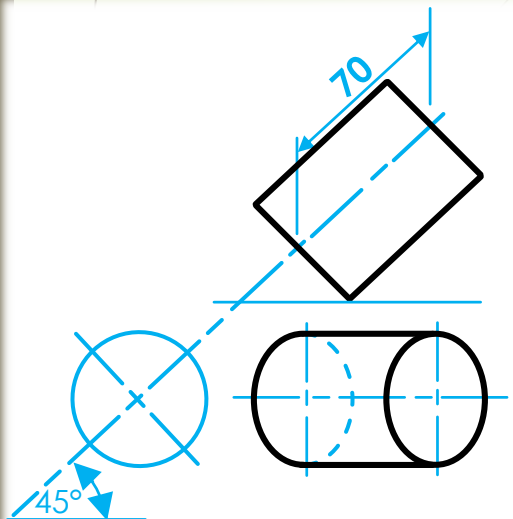
Application on pyramids, prisms, cones and cylinders



Application on pyramids, prisms, cones and cylinders



Application on pyramids, prisms, cones and cylinders



Application on pyramids, prisms, cones and cylinders

