



Application on polygons

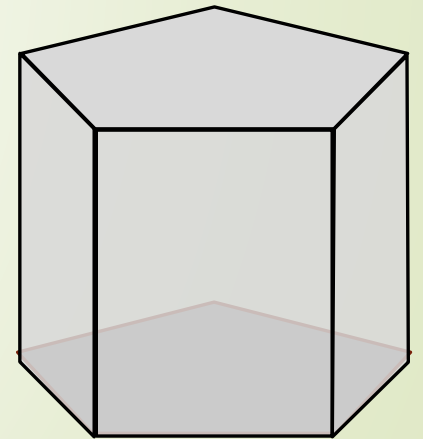
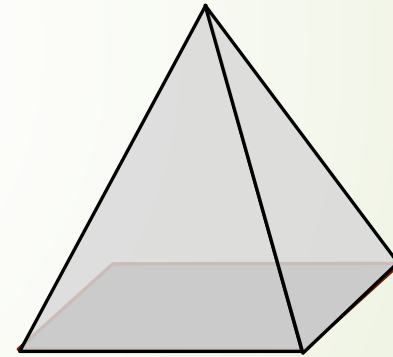
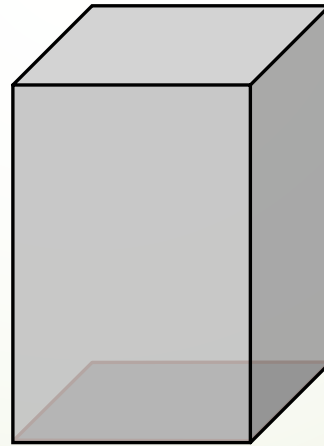
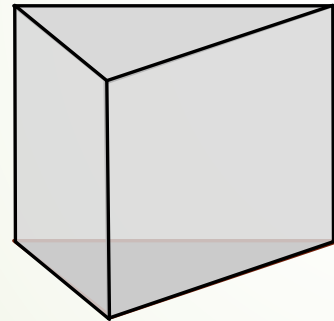
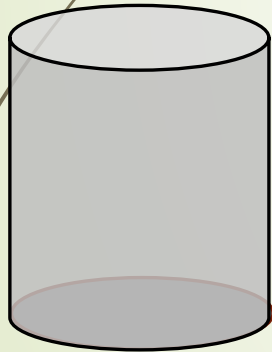
Vertical Sectioning

Grade 10, 11 & 12

Developed by: PC Viljoen
Senior Educational Specialist for
Engineering Graphics and Design
Free State Province

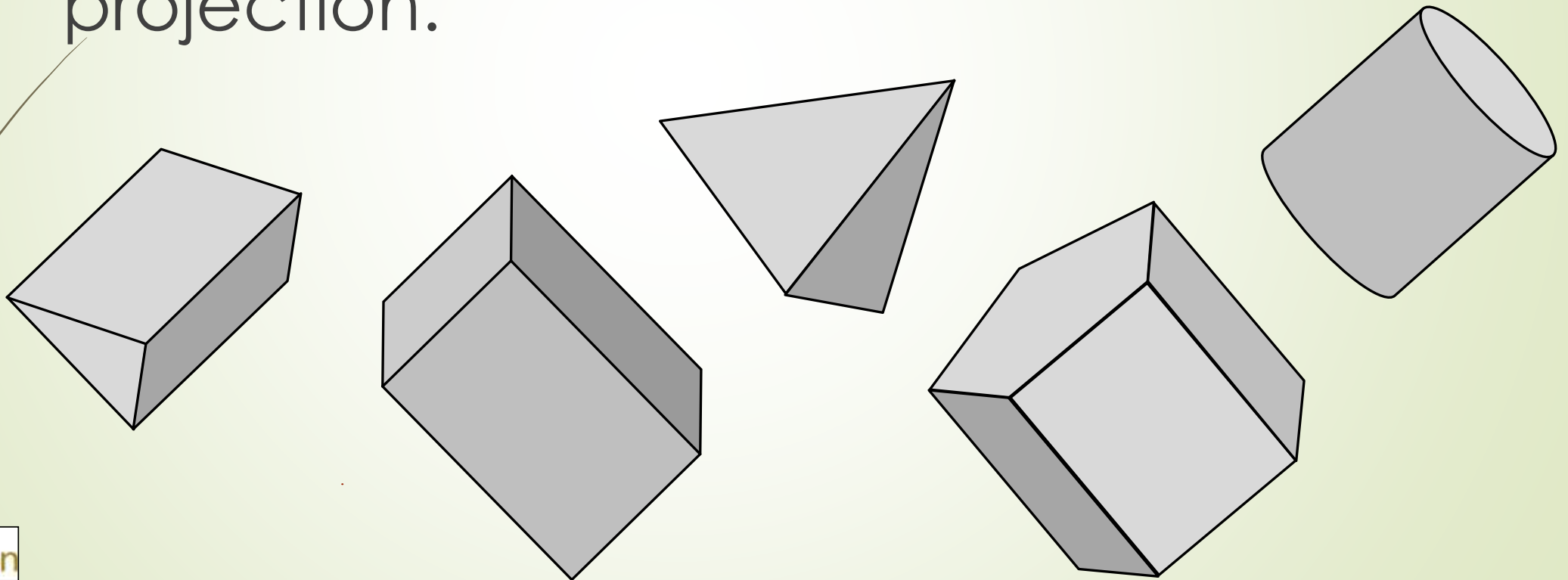
SOLID GEOMETRY

- Projecting right regular pyramids, prisms, cones and cylinders from polygons.

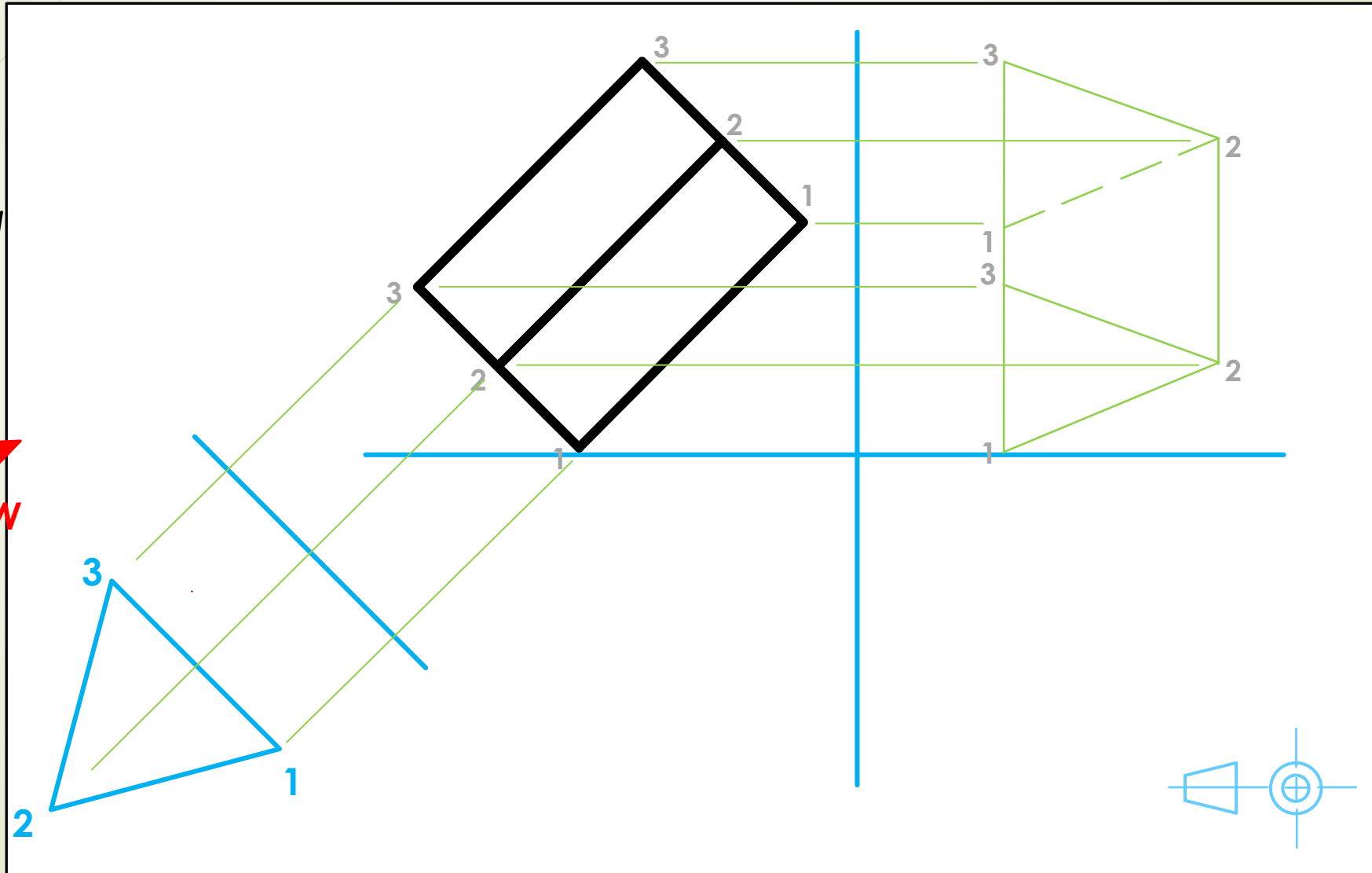
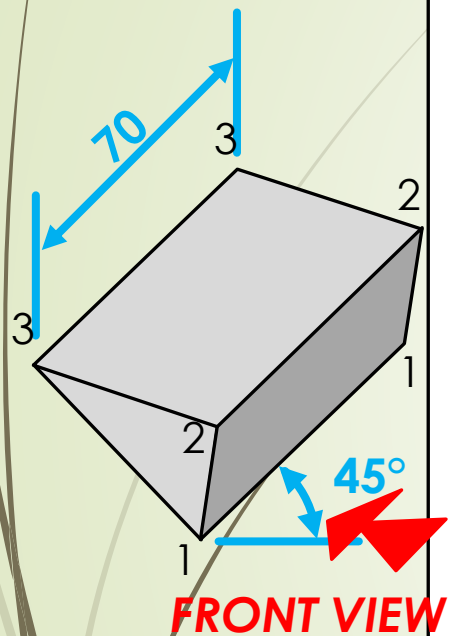


Application on pyramids, prisms, cones and cylinders

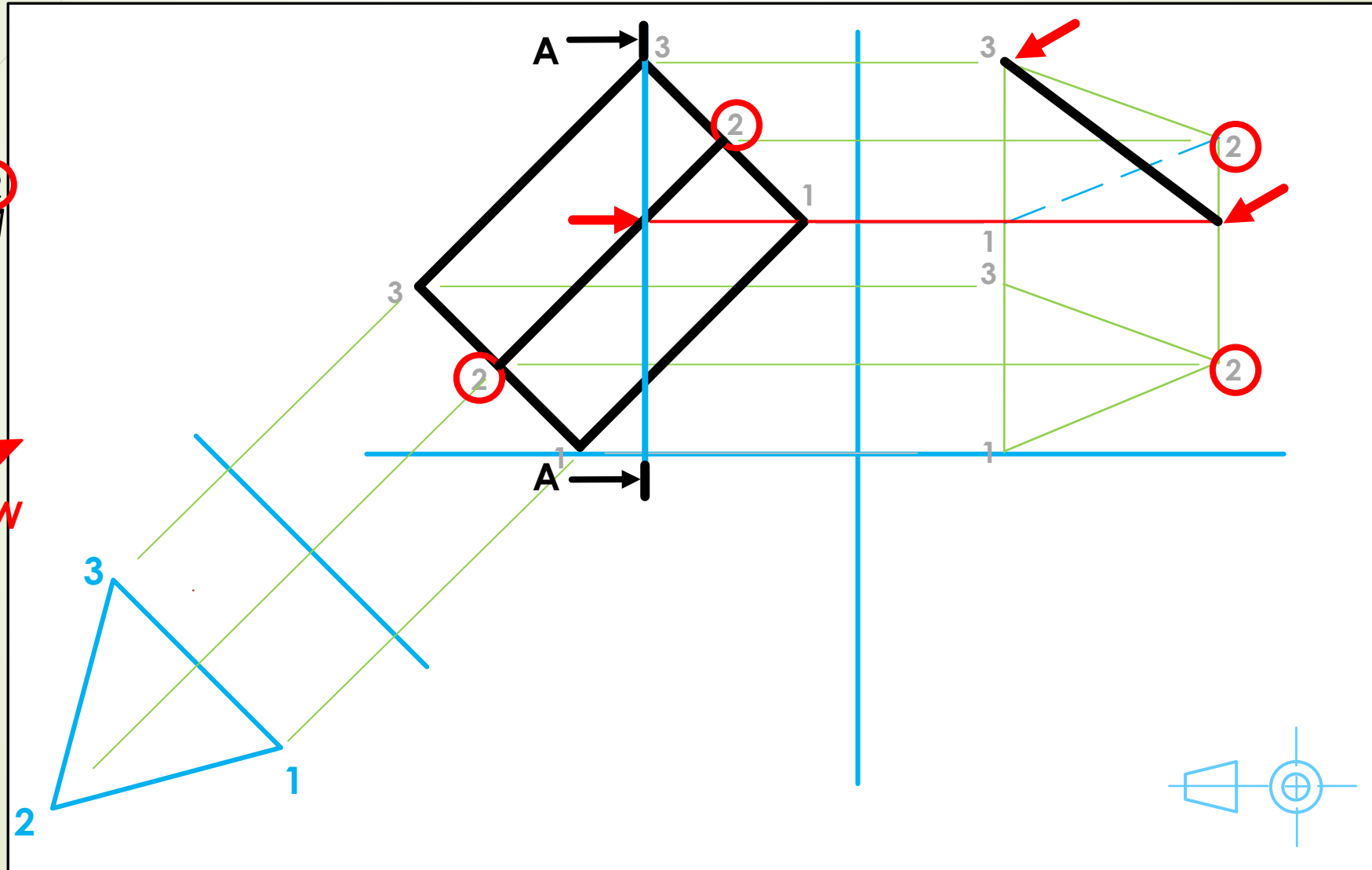
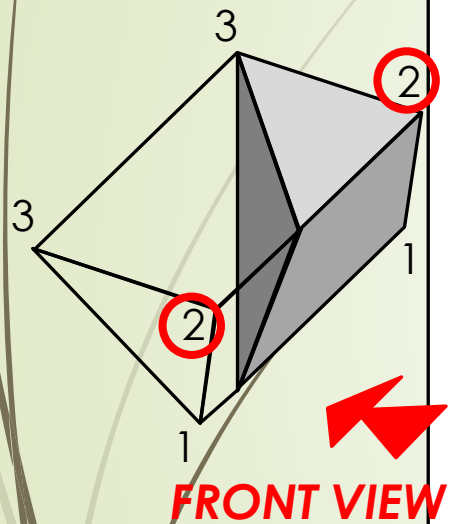
- ➔ Draw inclined pyramids, prisms, cones and cylinders in first angle orthographic projection.



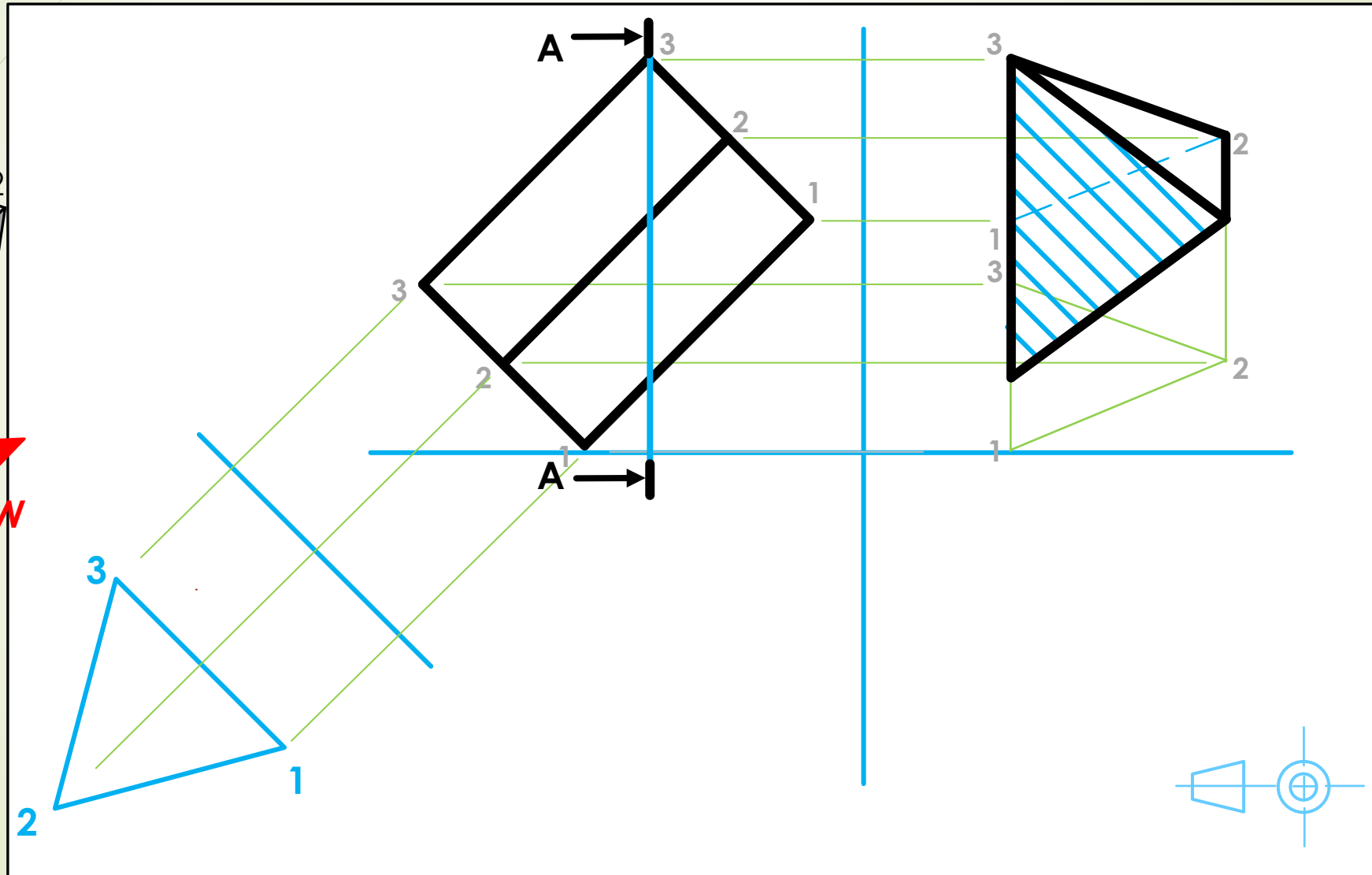
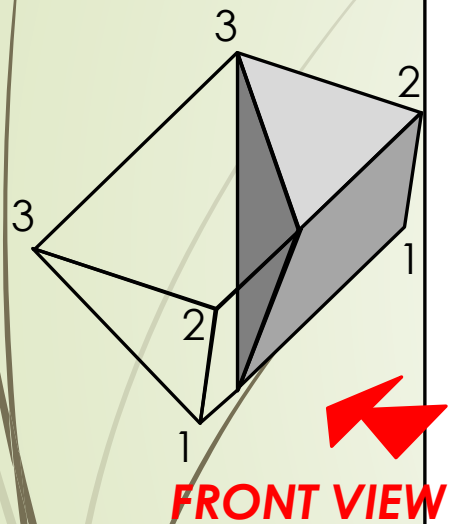
Application on pyramids, prisms, cones and cylinders



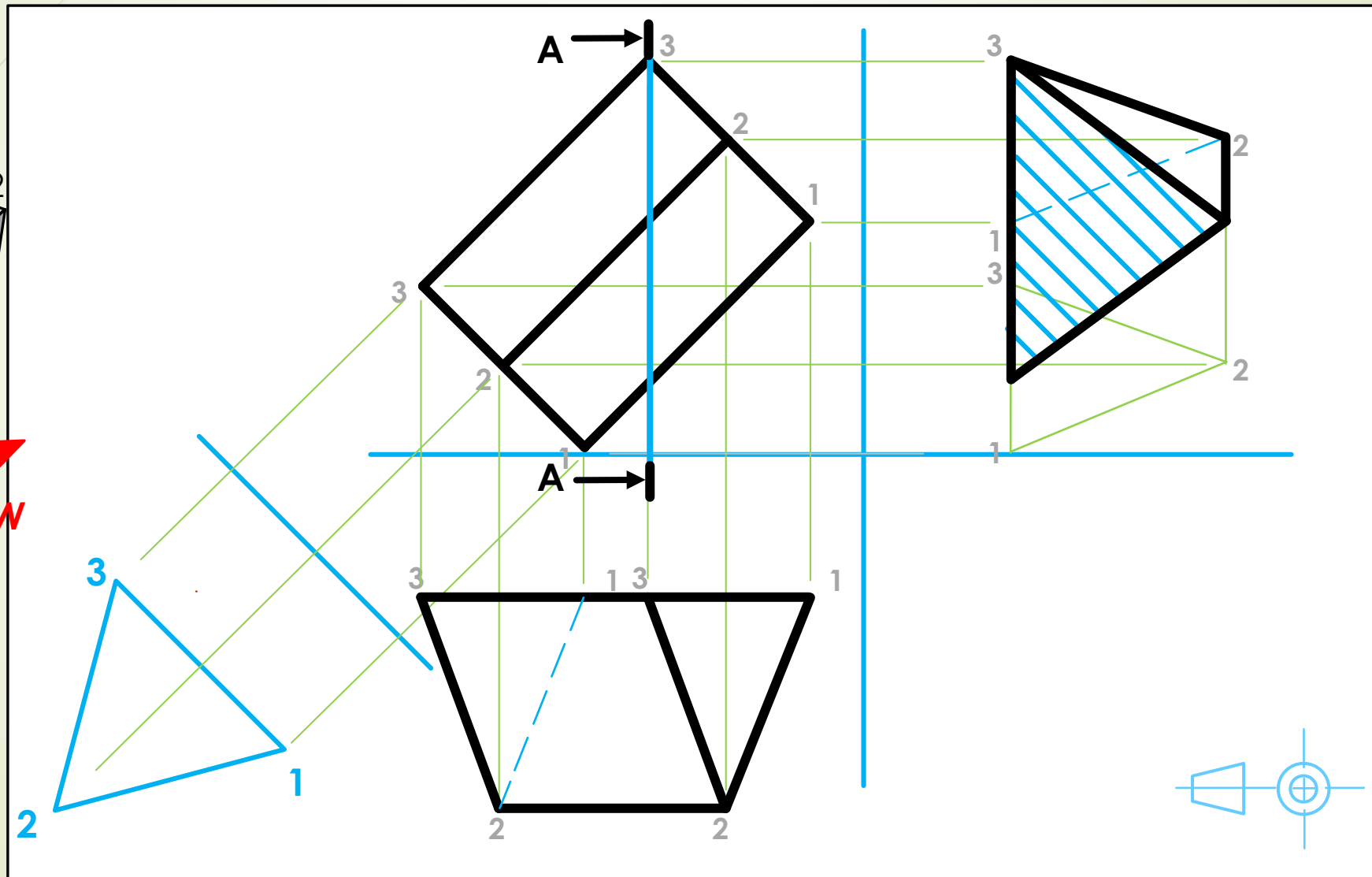
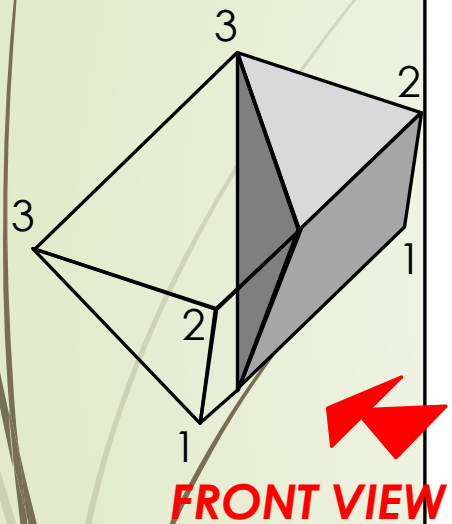
Application on pyramids, prisms, cones and cylinders



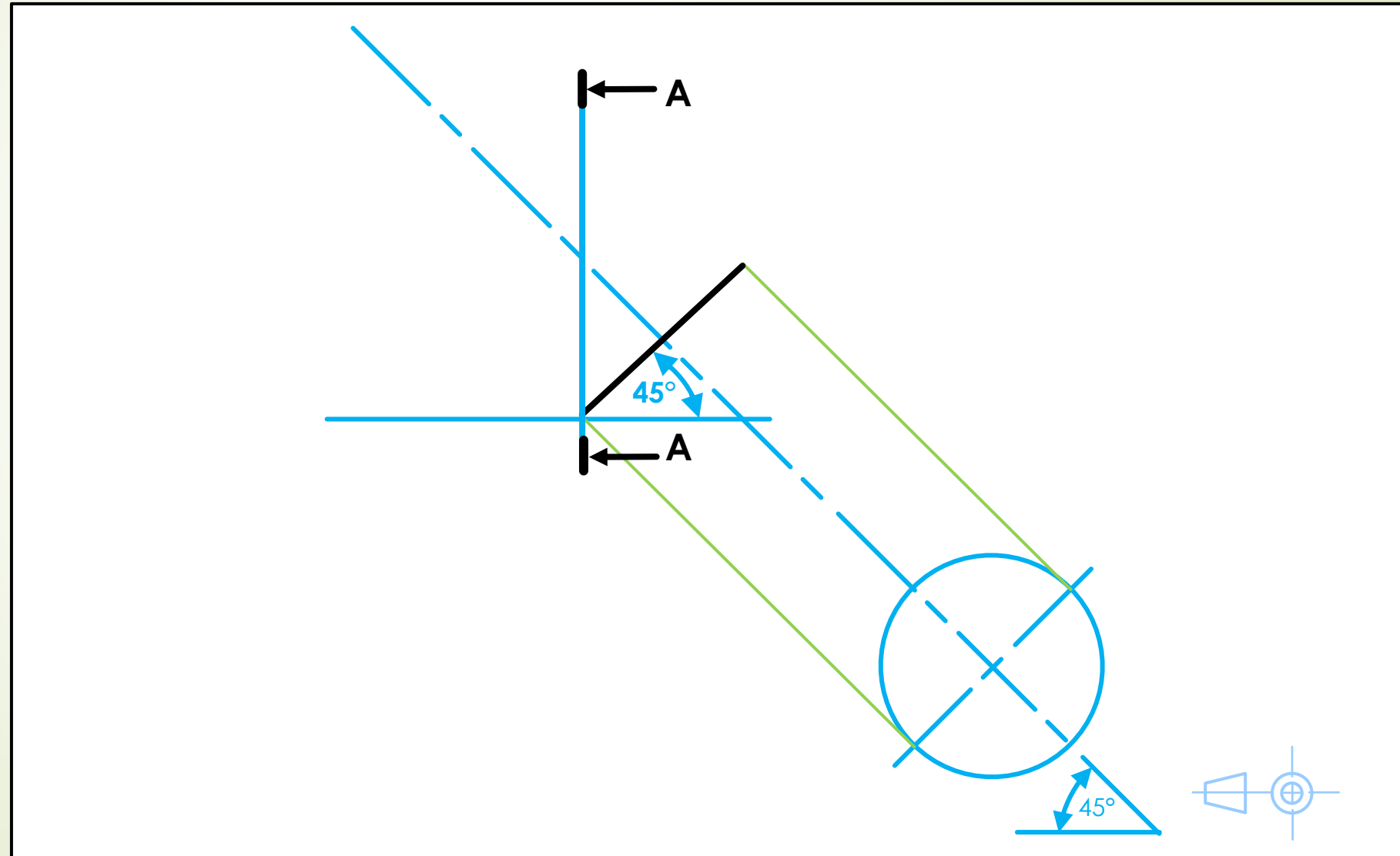
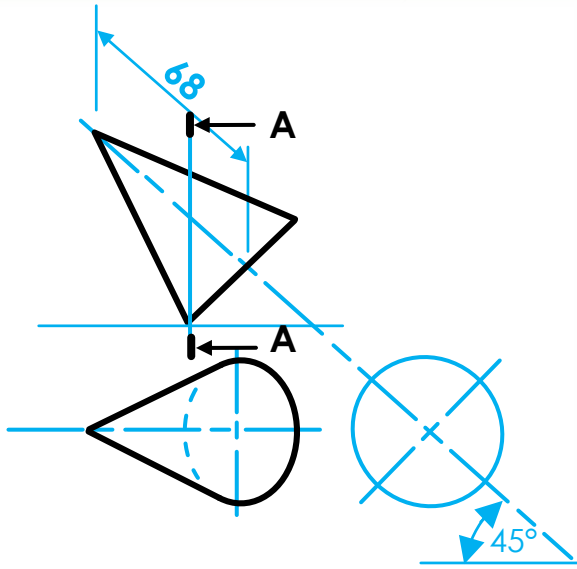
Application on pyramids, prisms, cones and cylinders



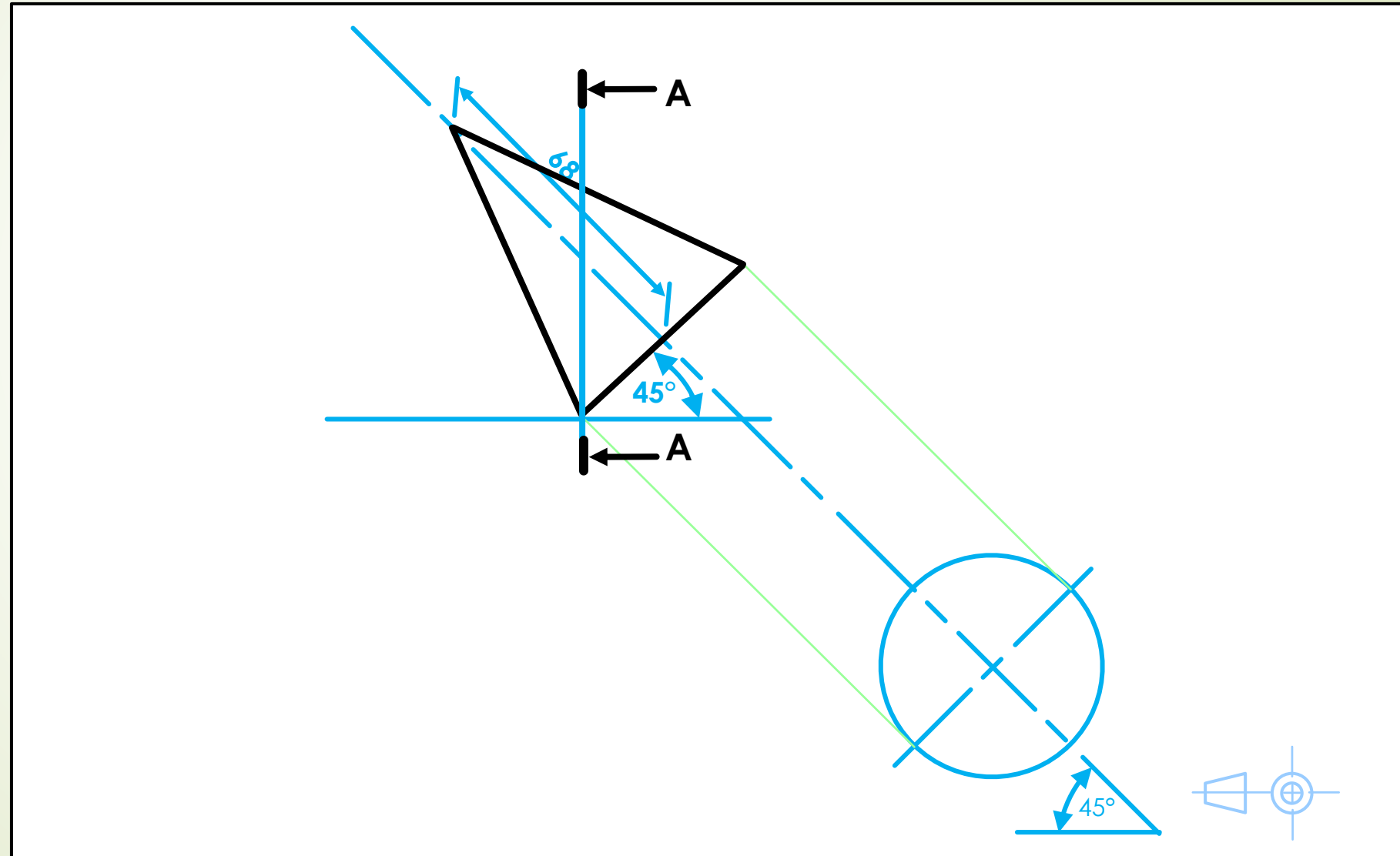
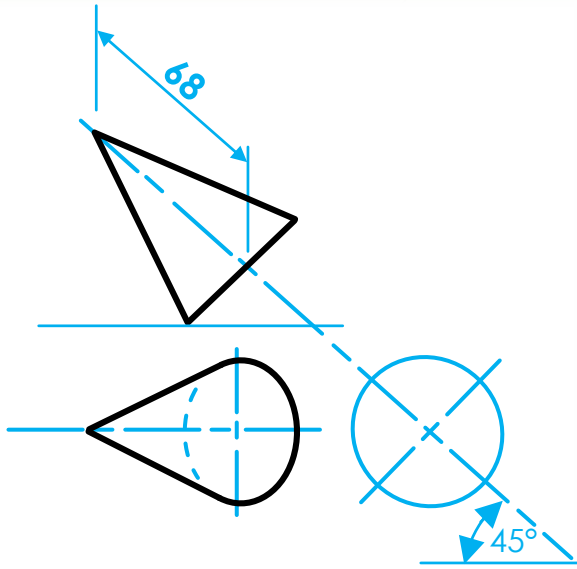
Application on pyramids, prisms, cones and cylinders



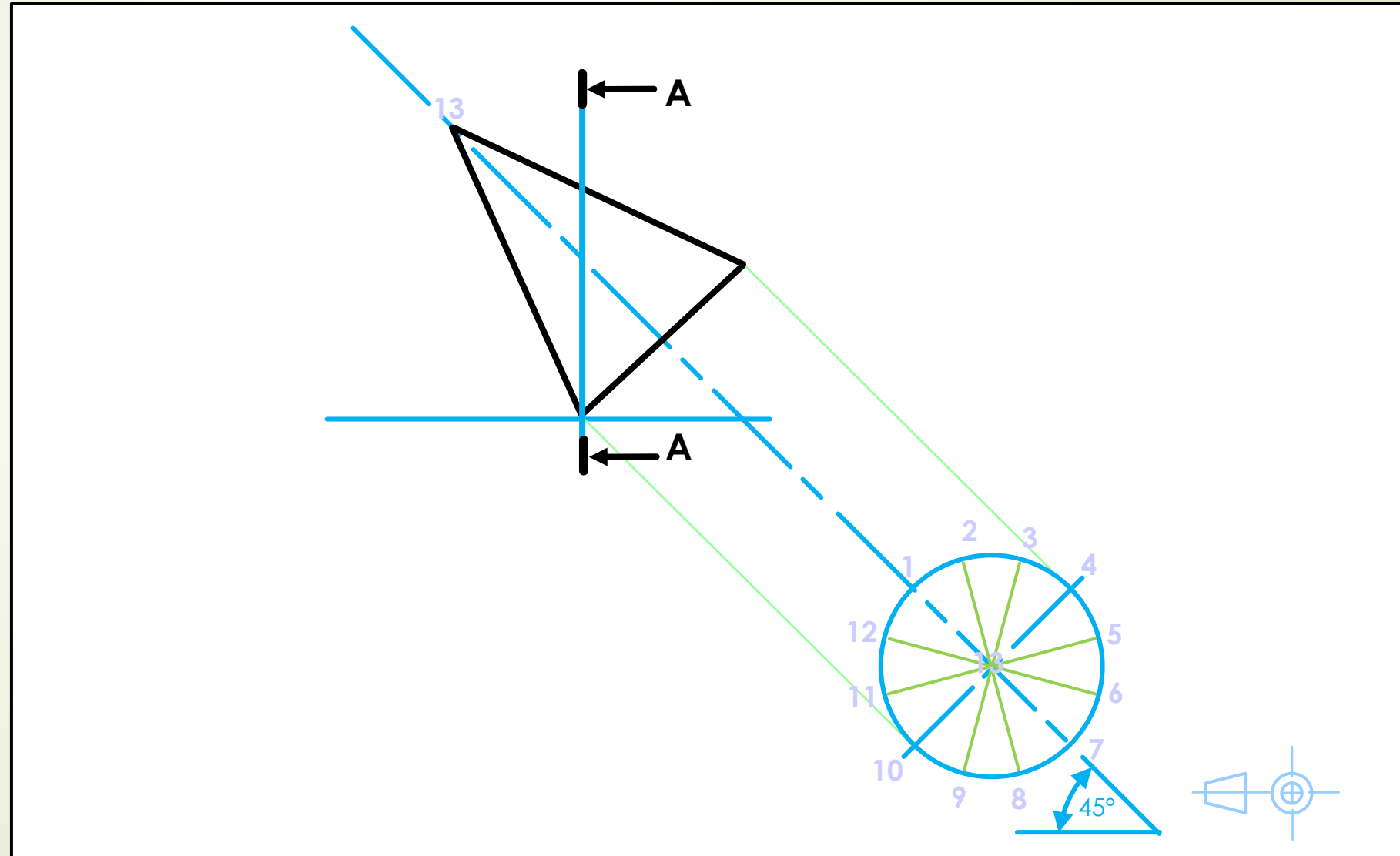
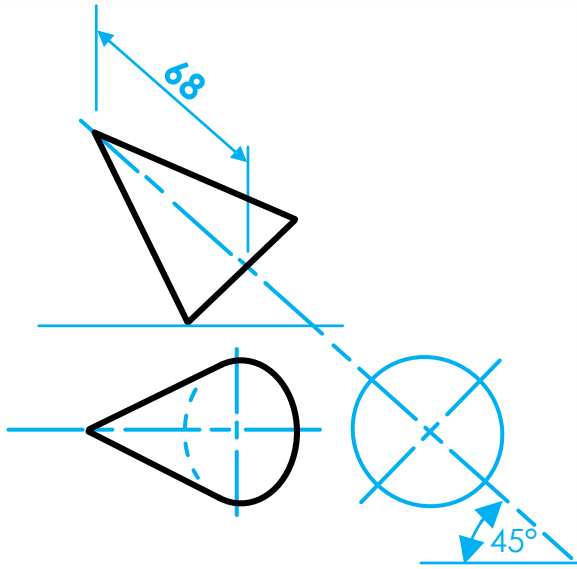
Application on cylinders and cones



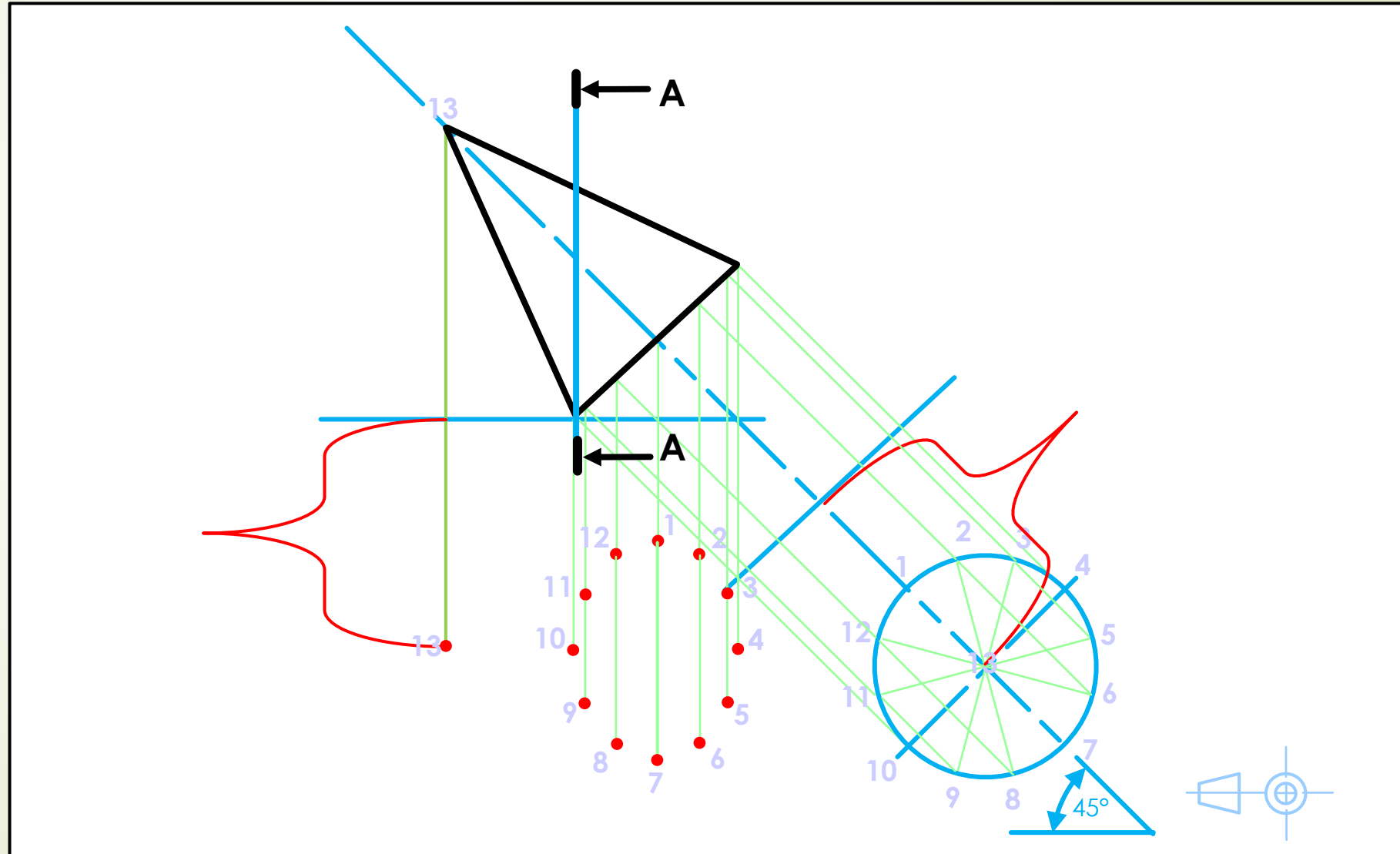
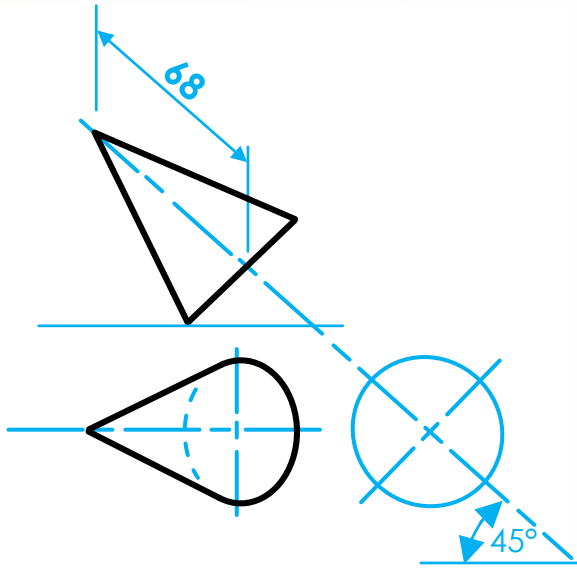
Application on cylinders and cones



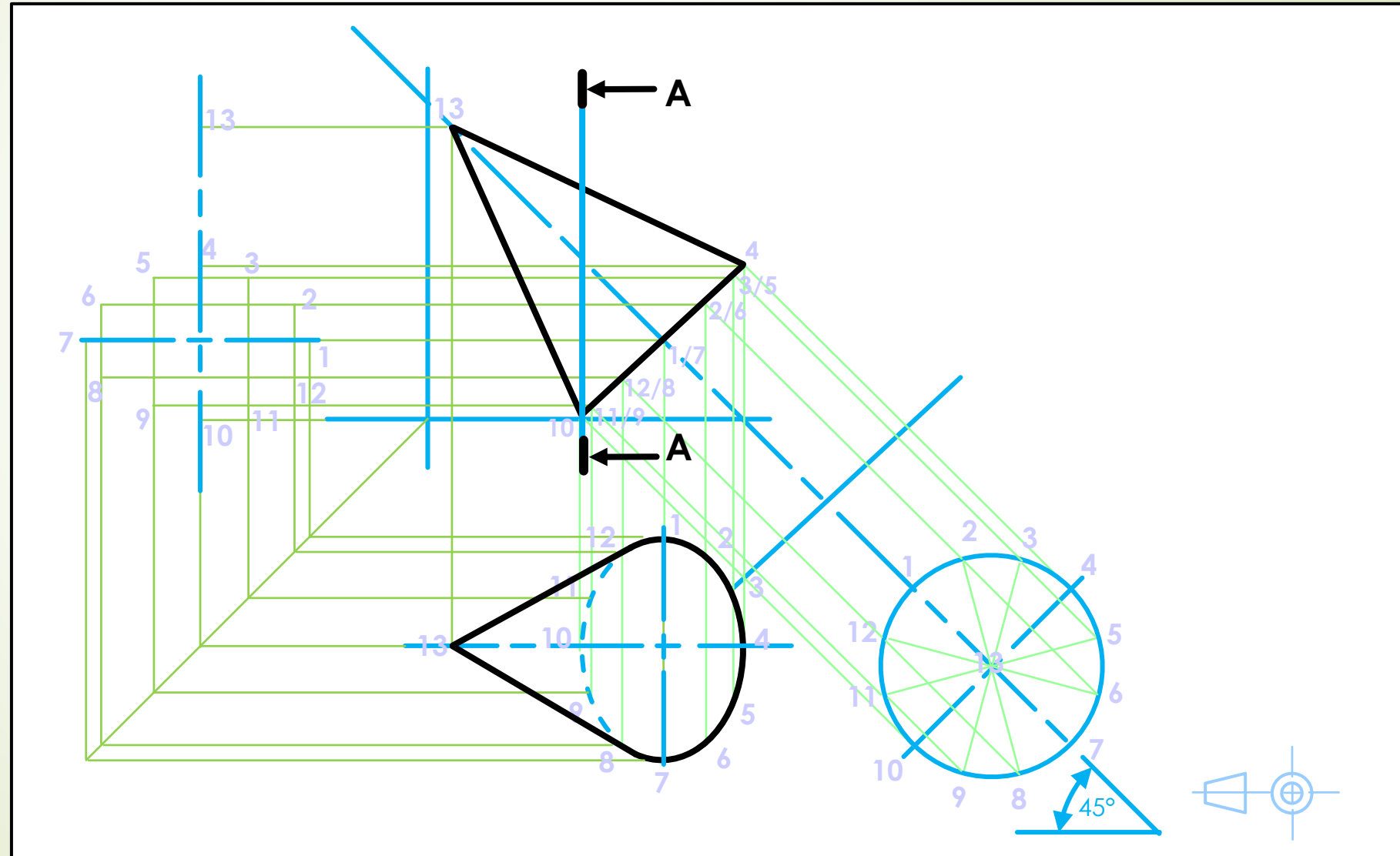
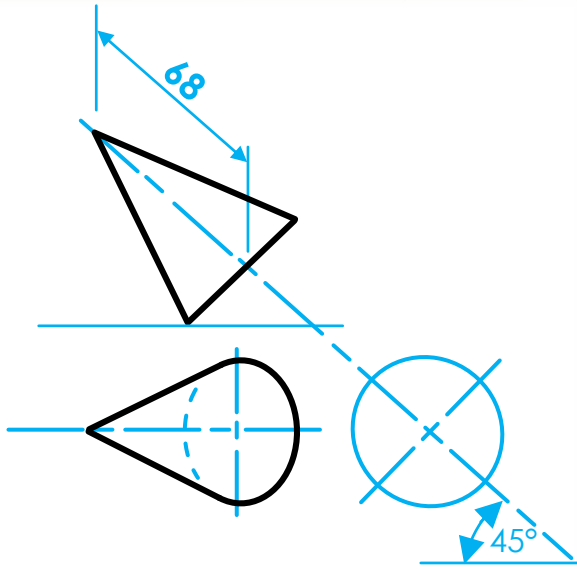
Application on cylinders and cones



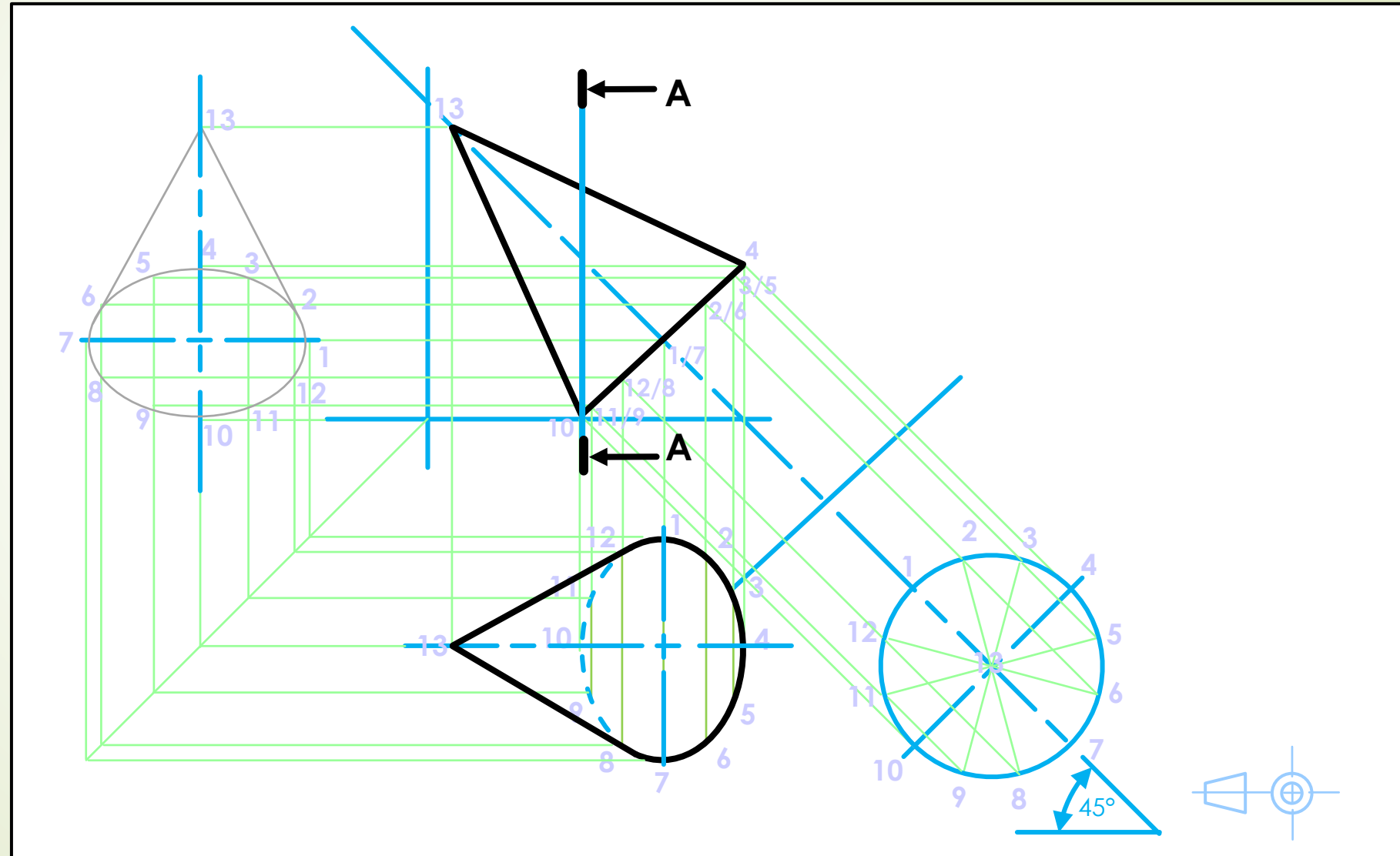
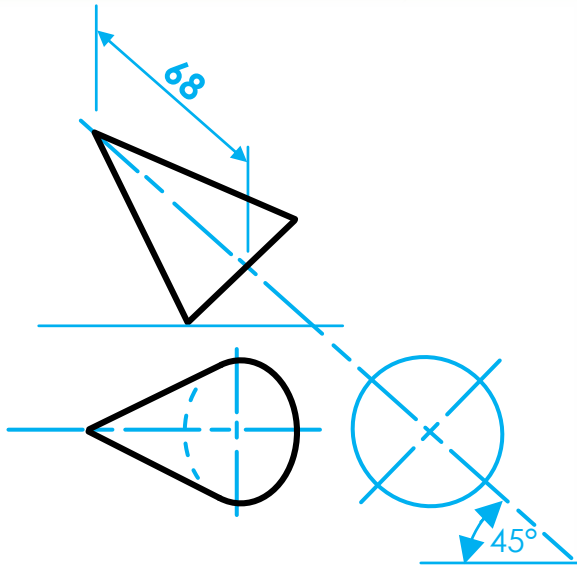
Application on cylinders and cones



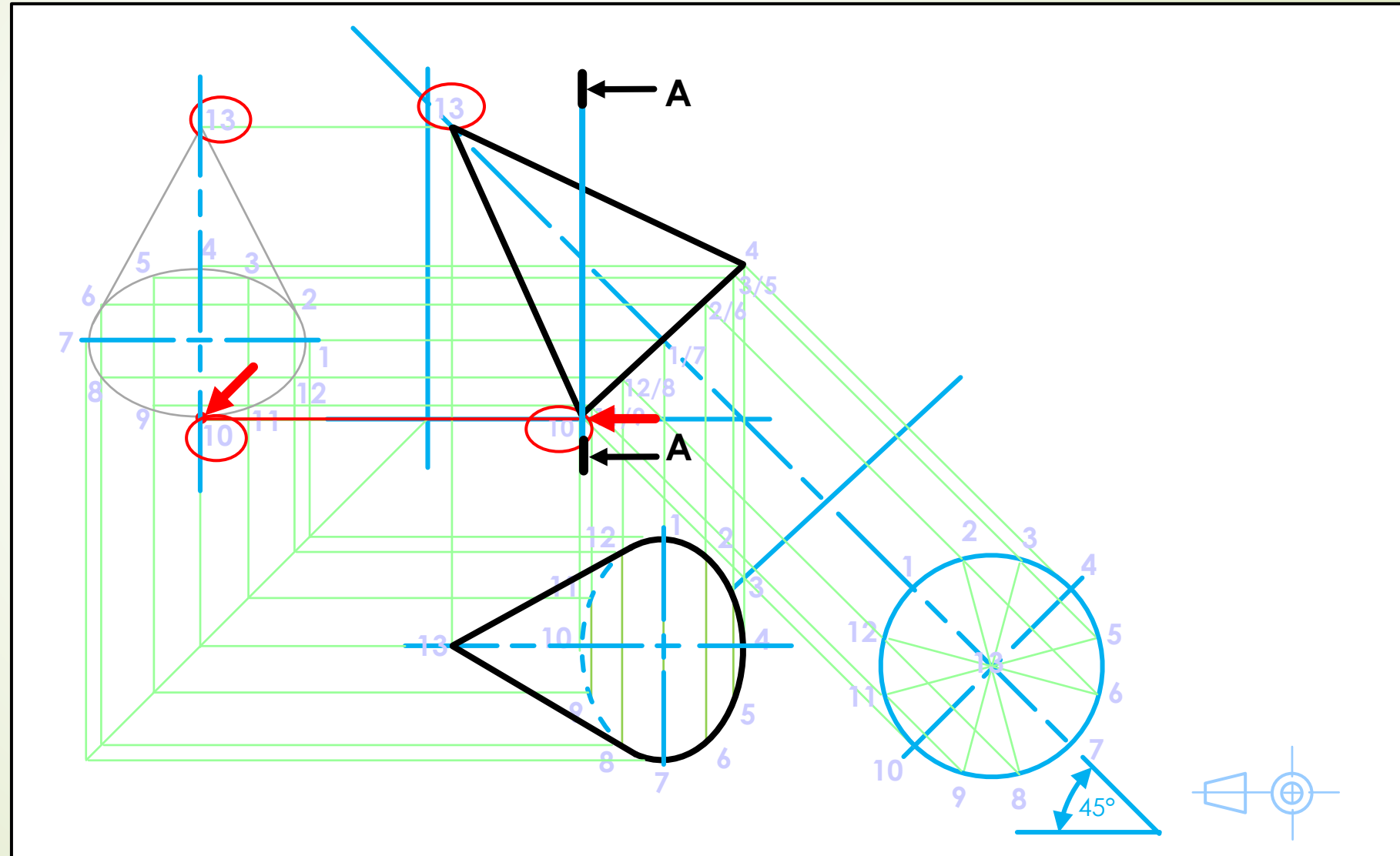
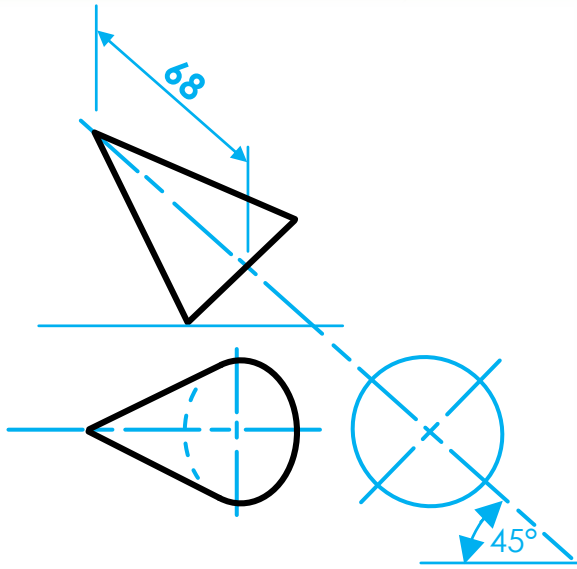
Application on cylinders and cones



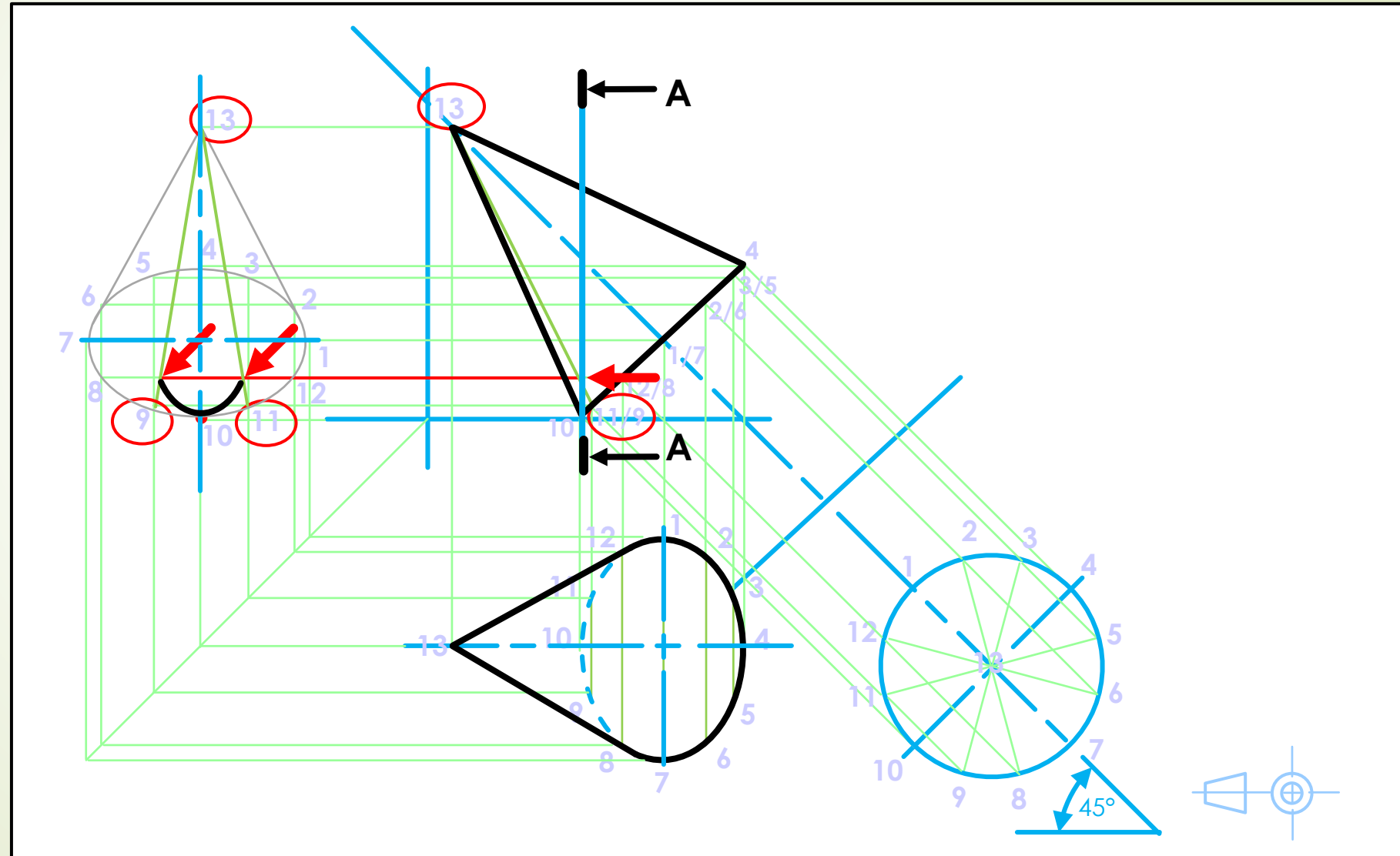
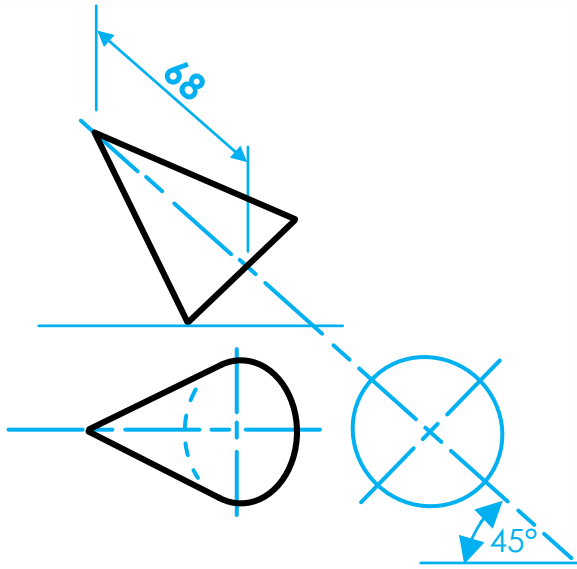
Application on cylinders and cones



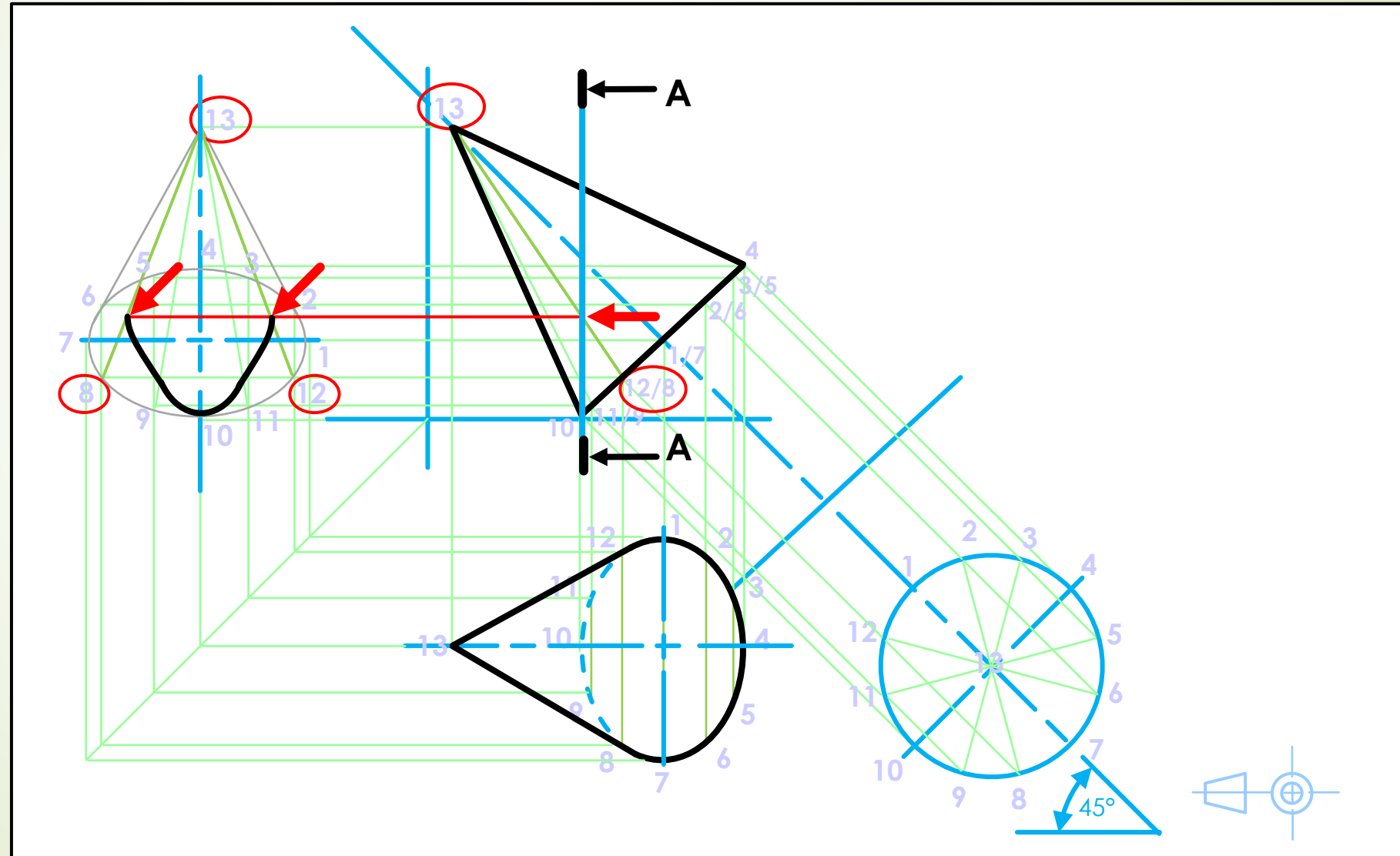
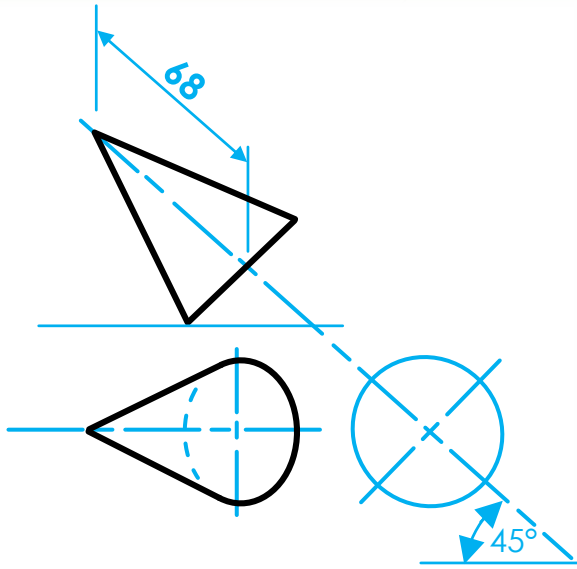
Application on cylinders and cones



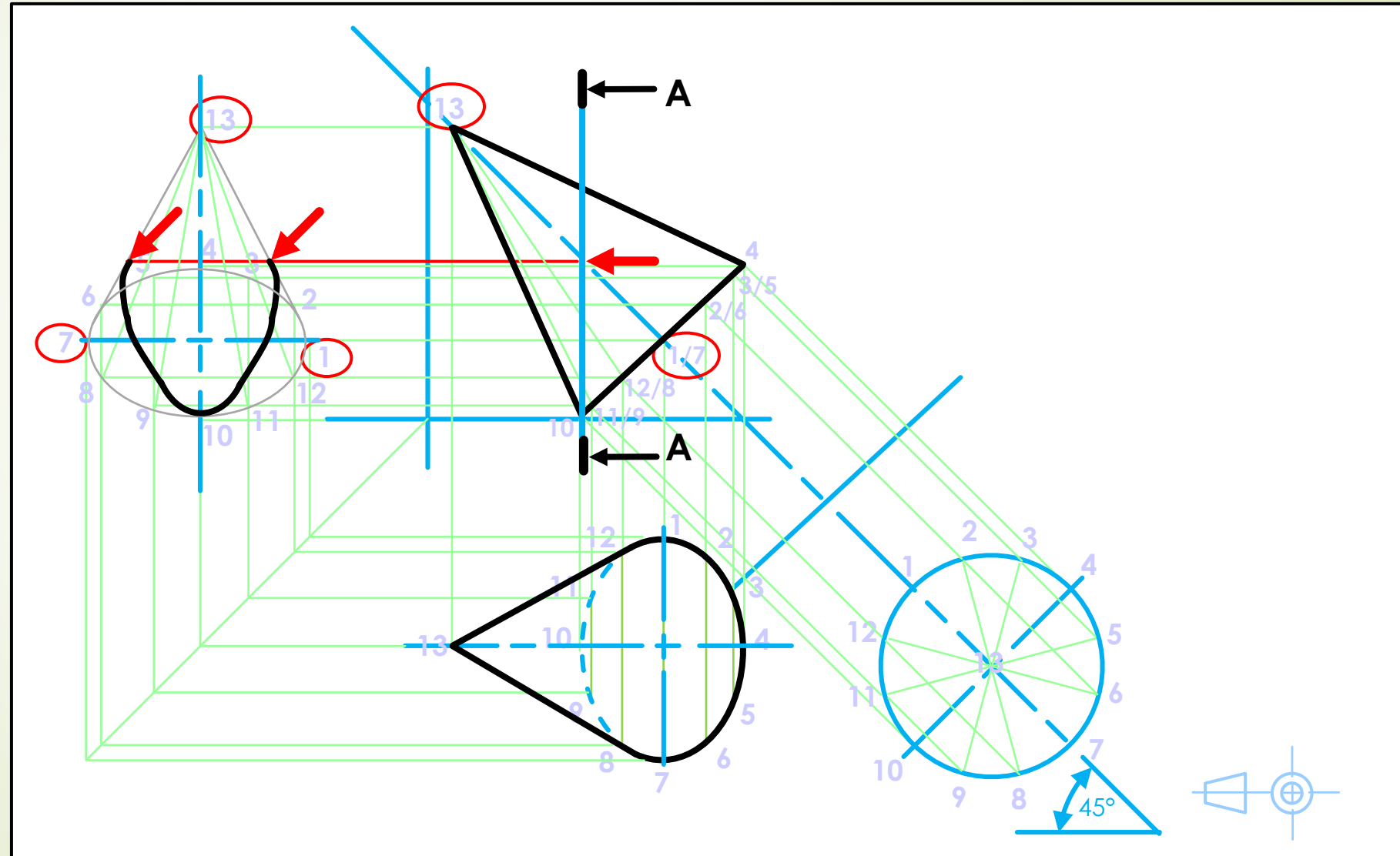
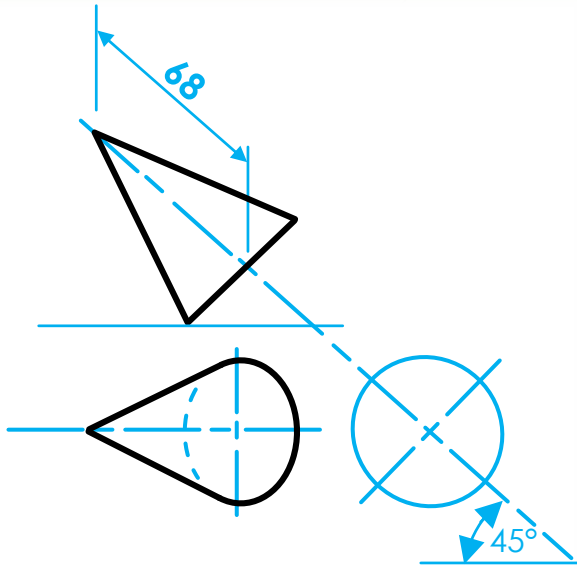
Application on cylinders and cones



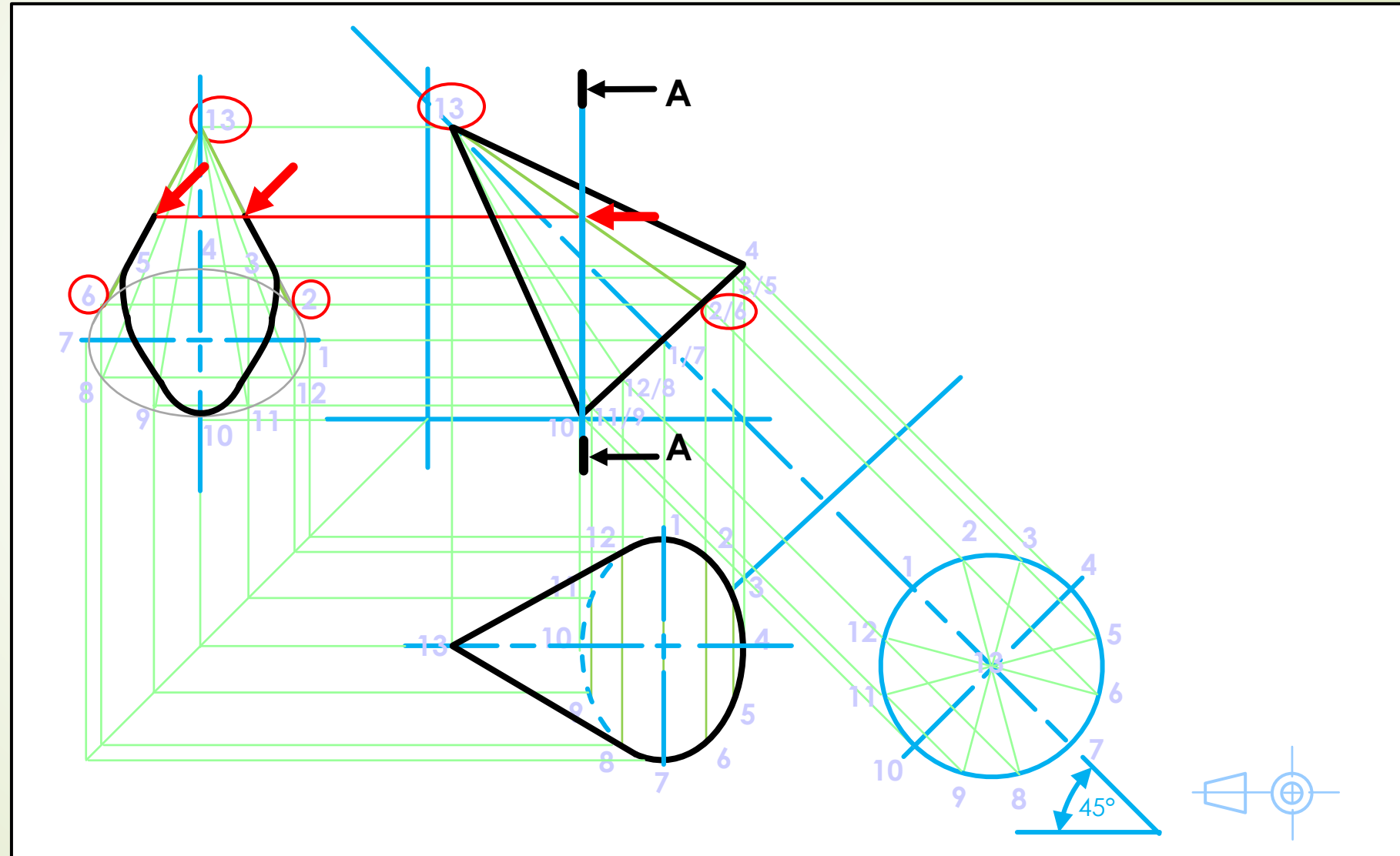
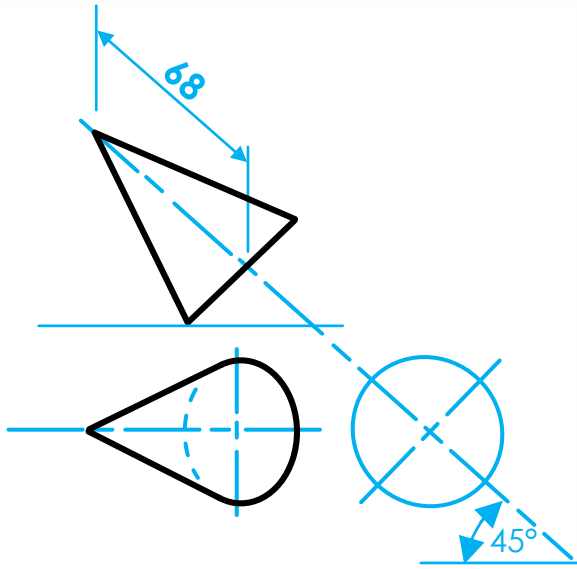
Application on cylinders and cones



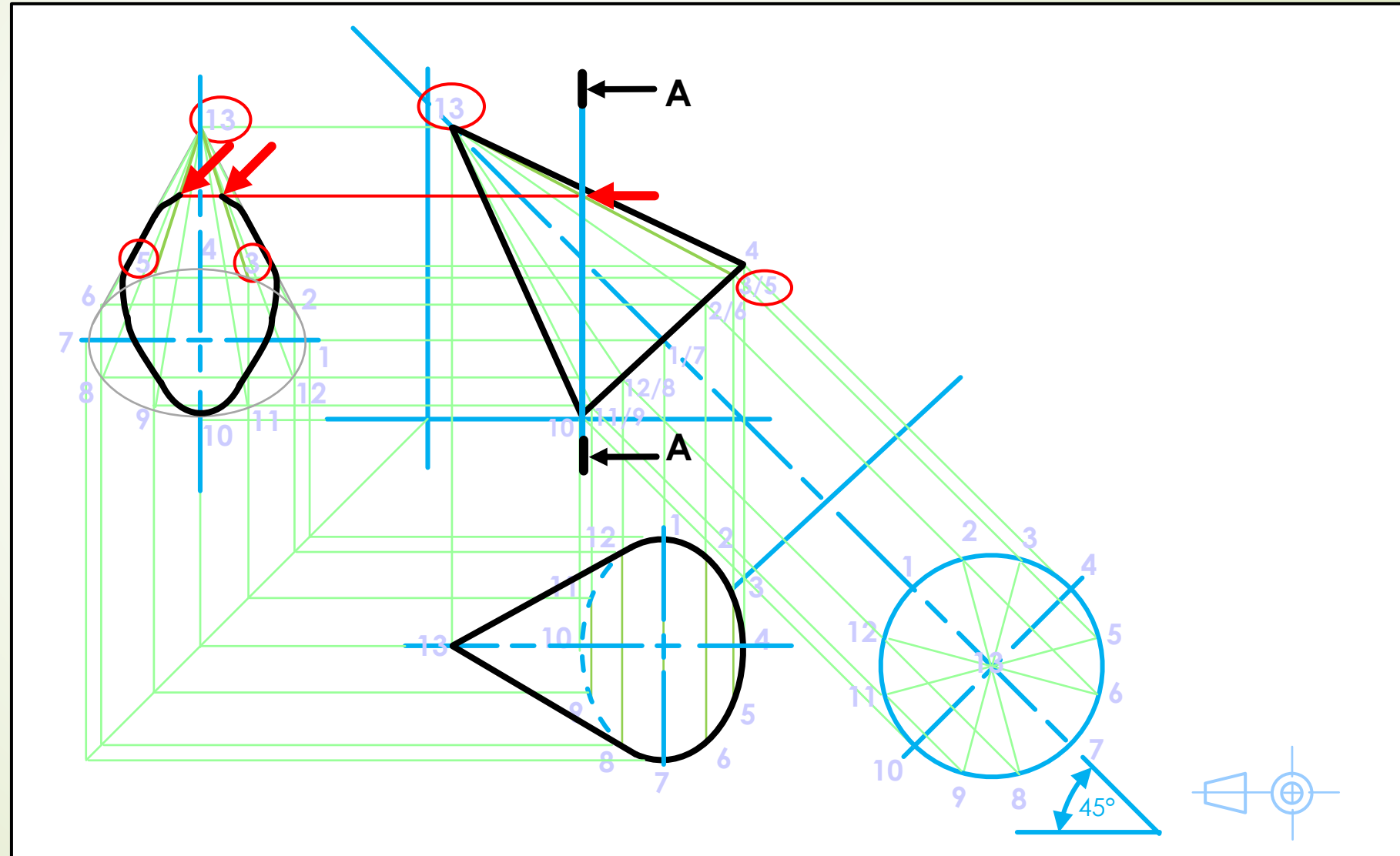
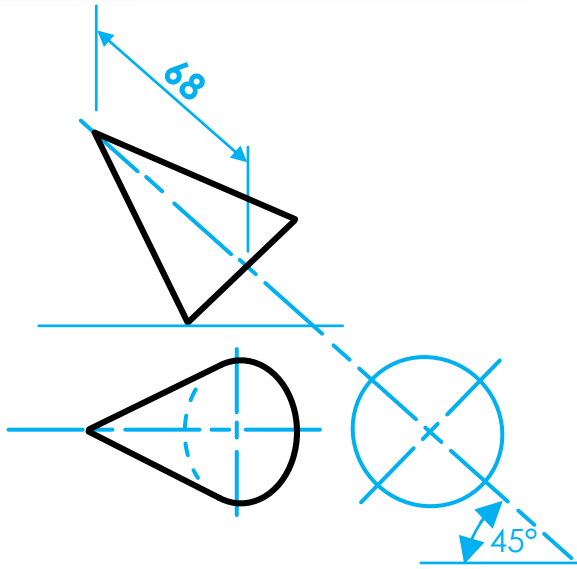
Application on cylinders and cones



Application on cylinders and cones



Application on cylinders and cones



Application on cylinders and cones

