



Application on polygons

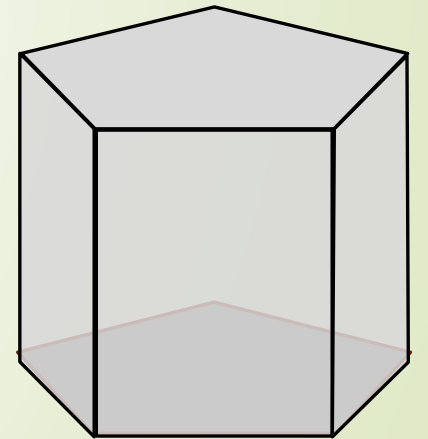
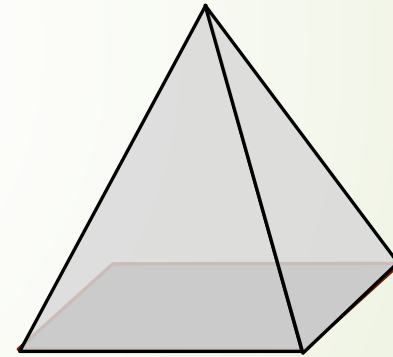
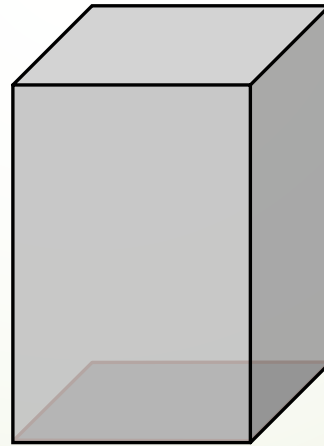
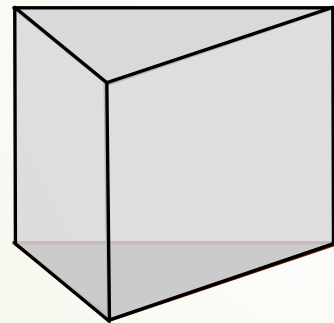
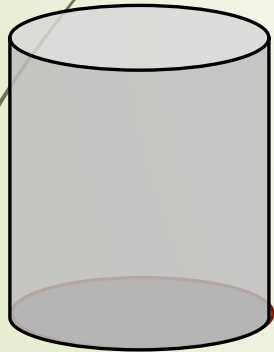
Inclined Sectioning

Grade 10, 11 & 12

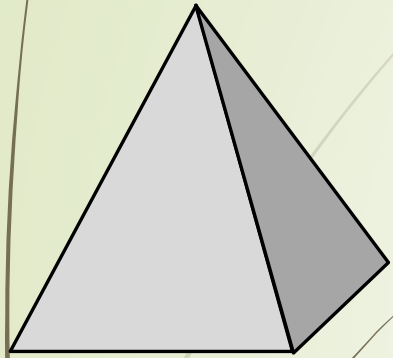
Developed by: PC Viljoen
Senior Educational Specialist for
Engineering Graphics and Design
Free State Province

SOLID GEOMETRY

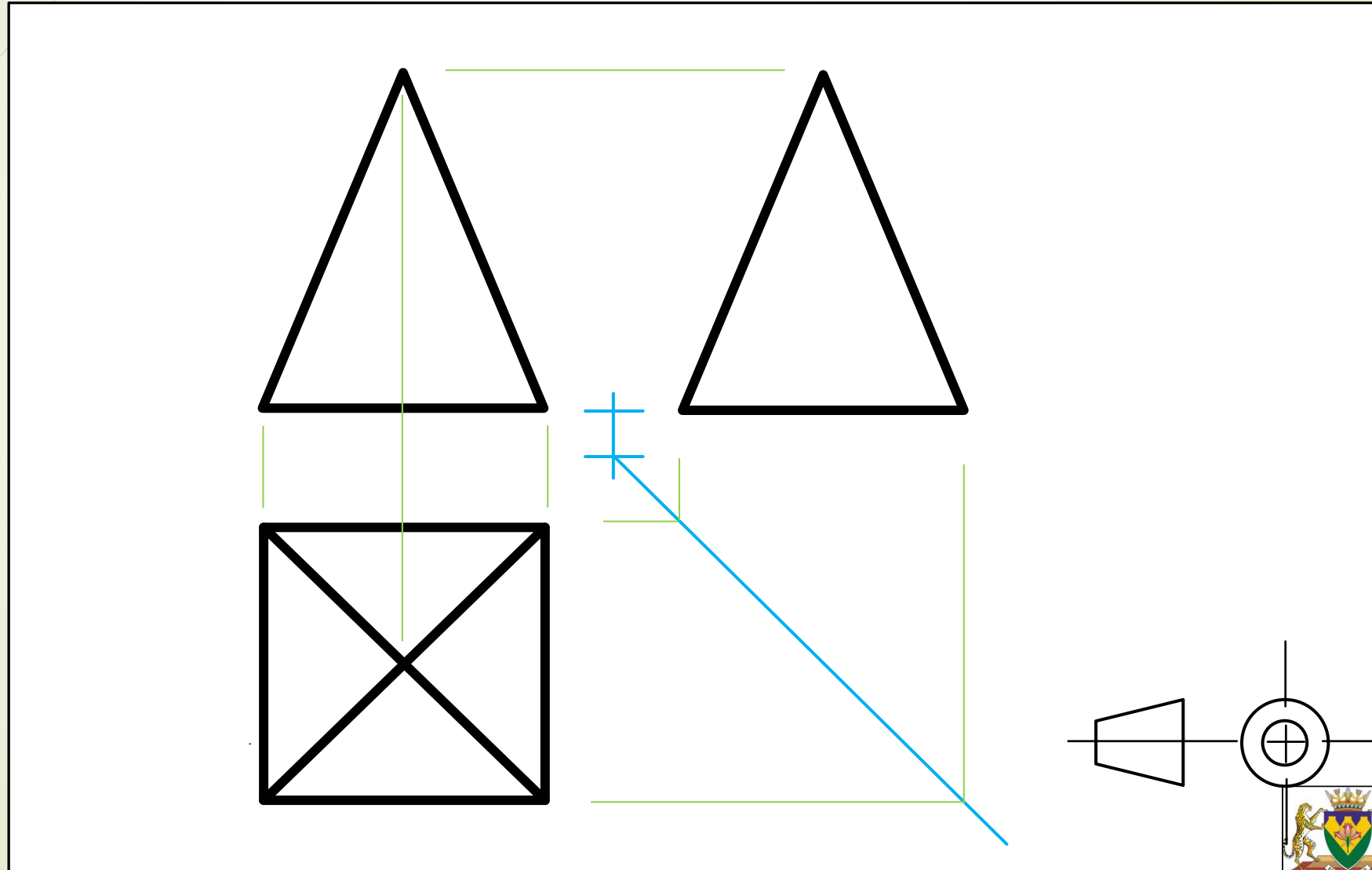
- ➔ Projecting right regular pyramids, prisms, cones and cylinders from polygons.



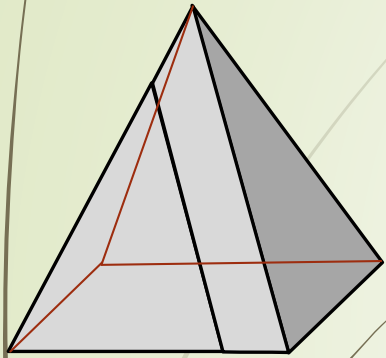
Application on polygons



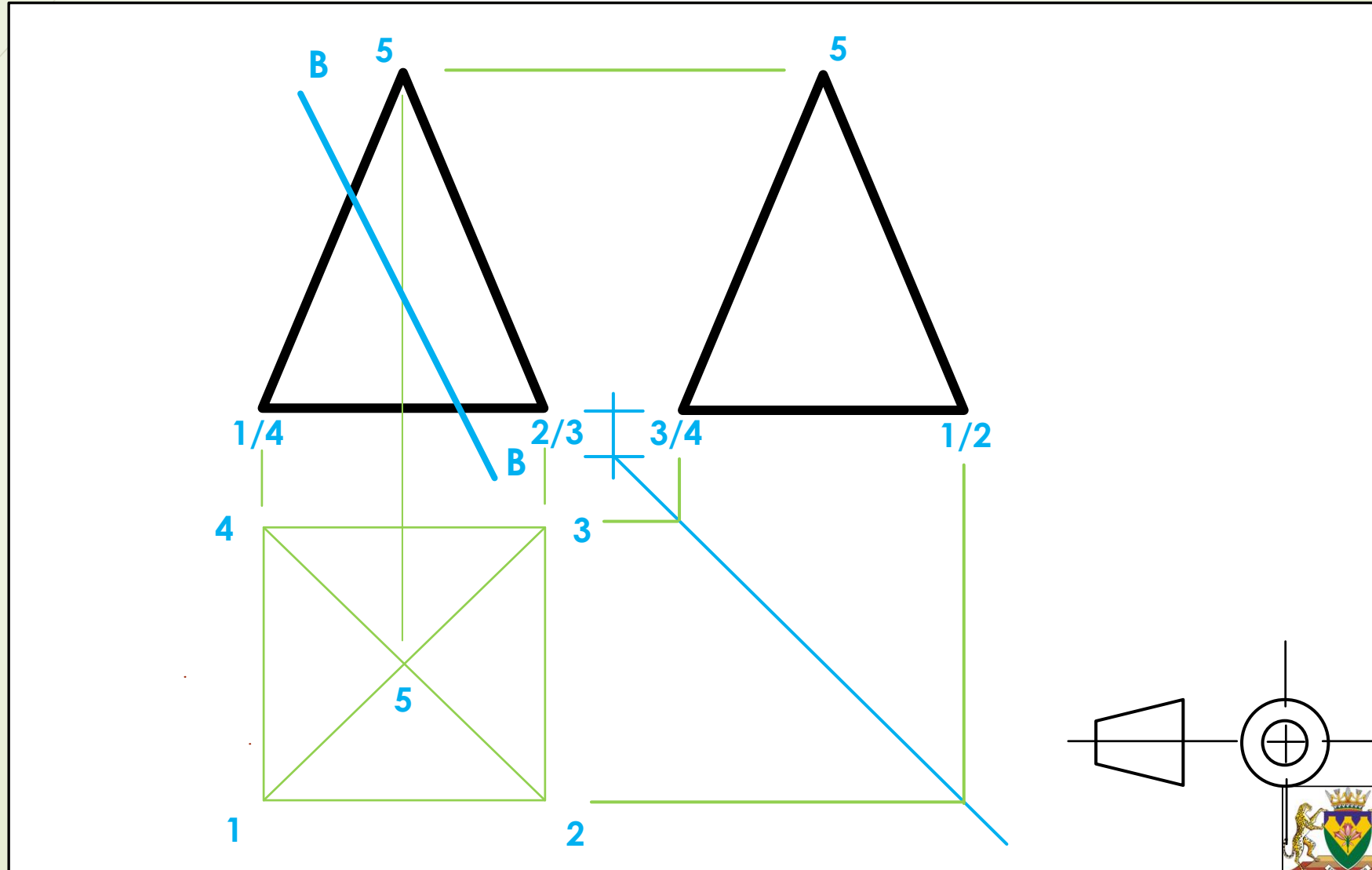
Front view



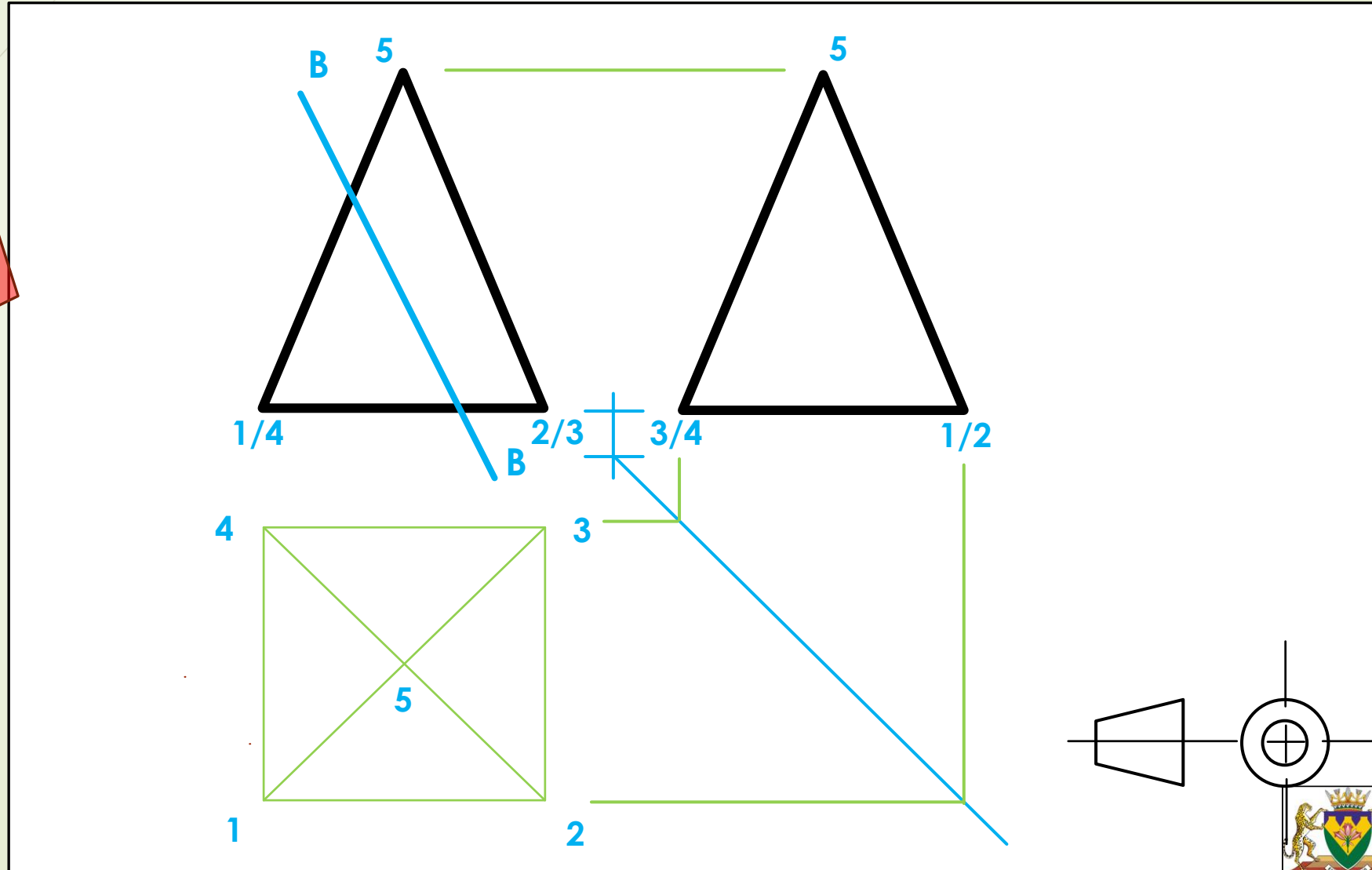
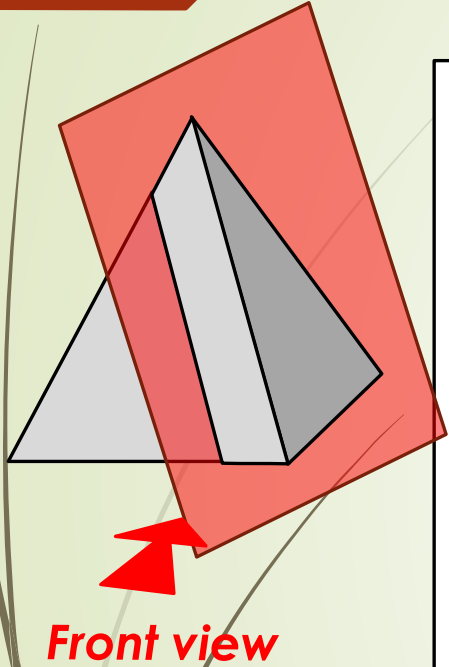
Application on polygons



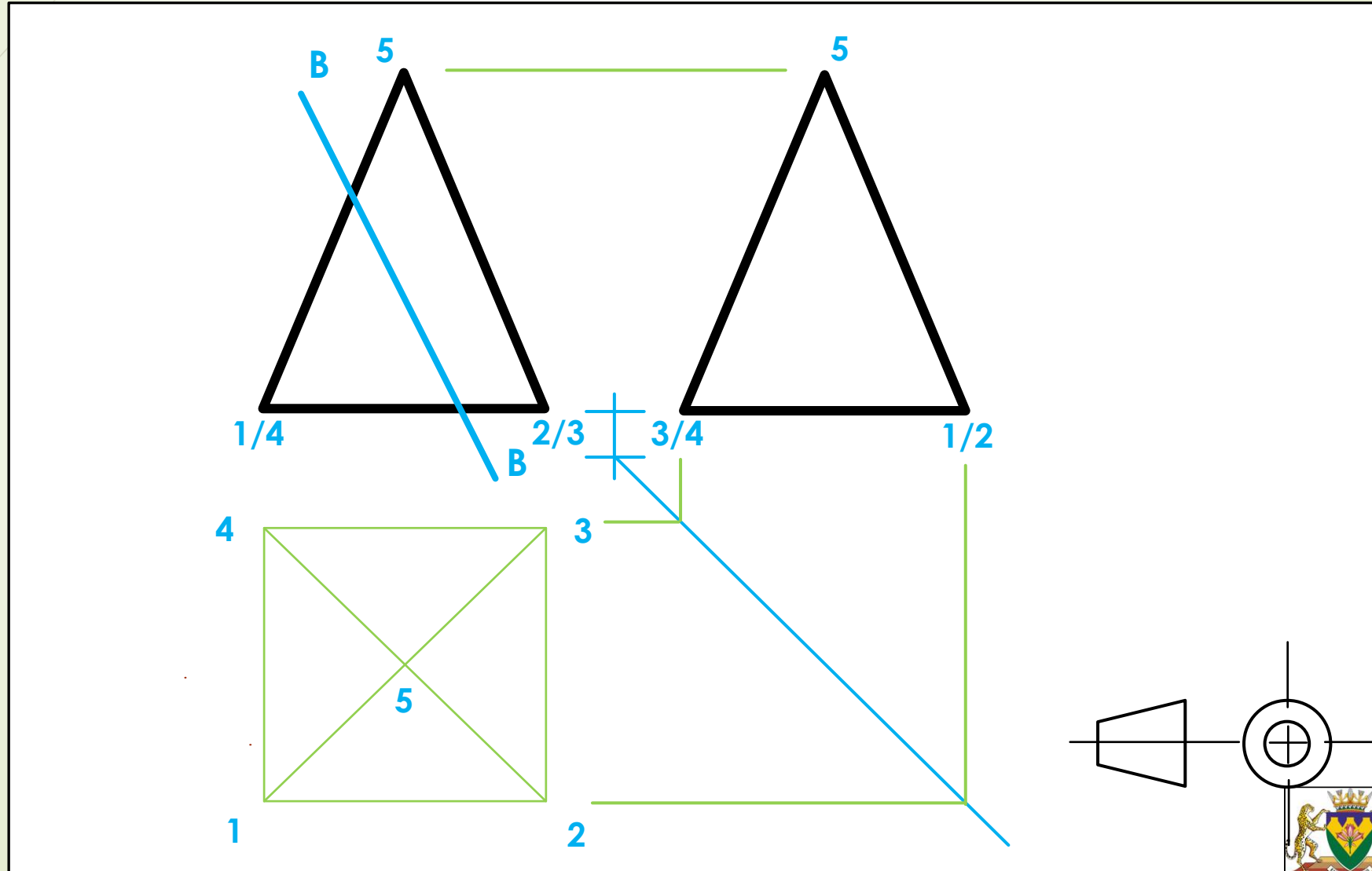
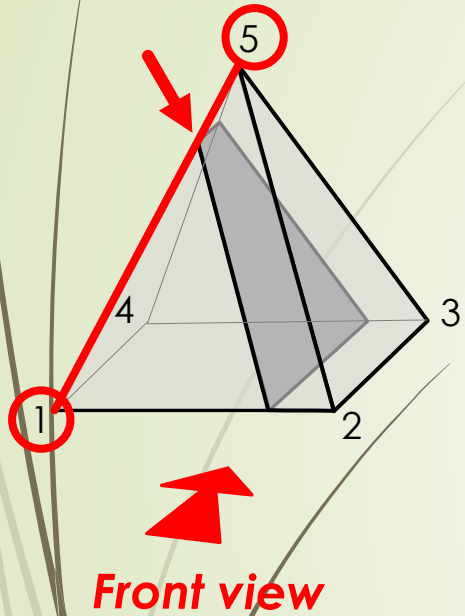
Front view



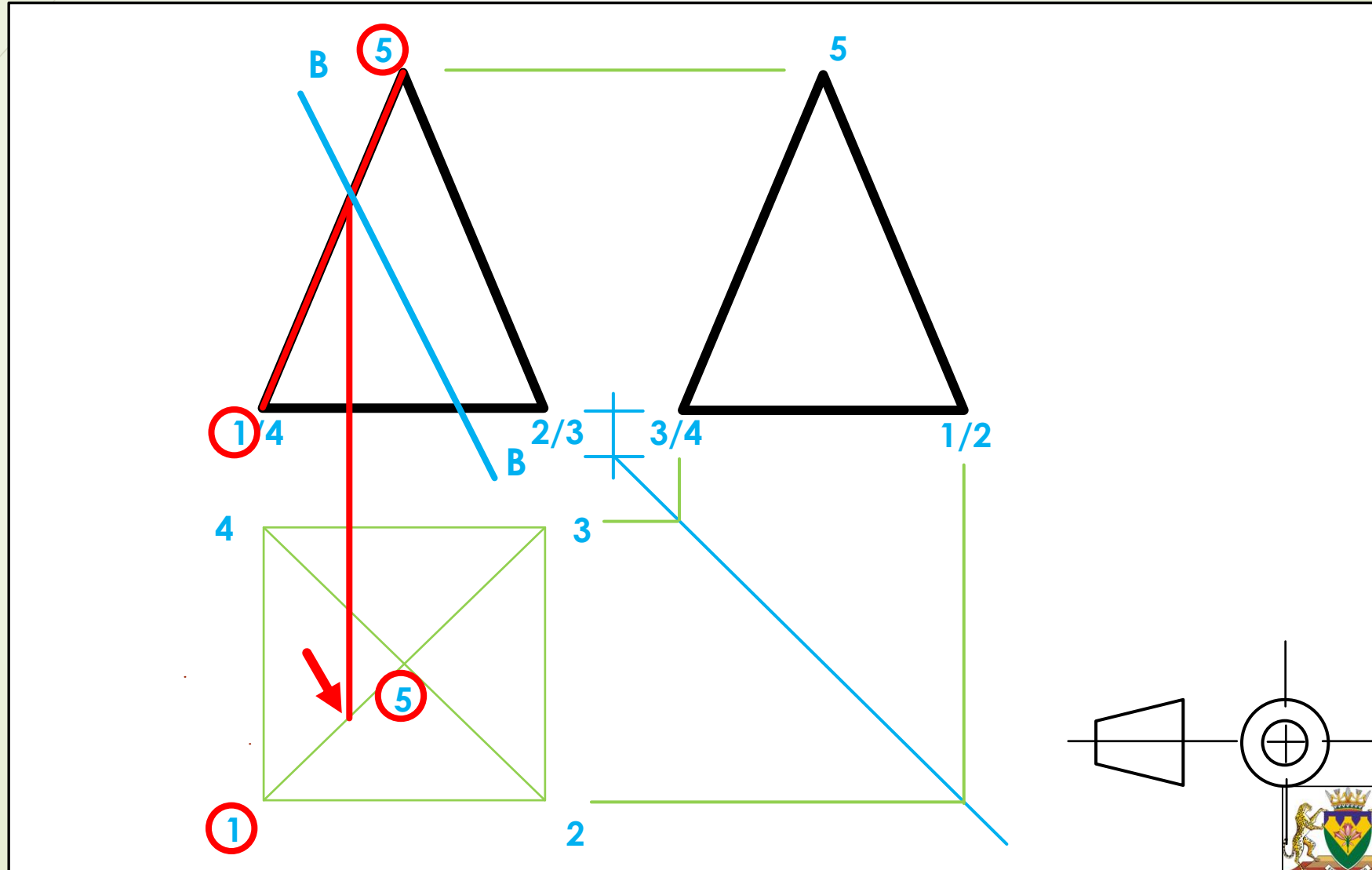
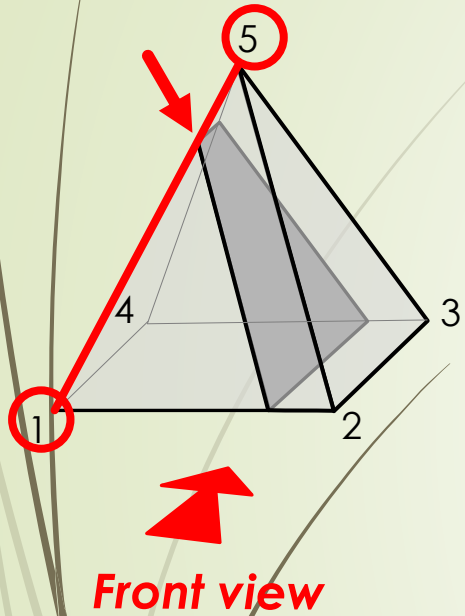
Application on polygons



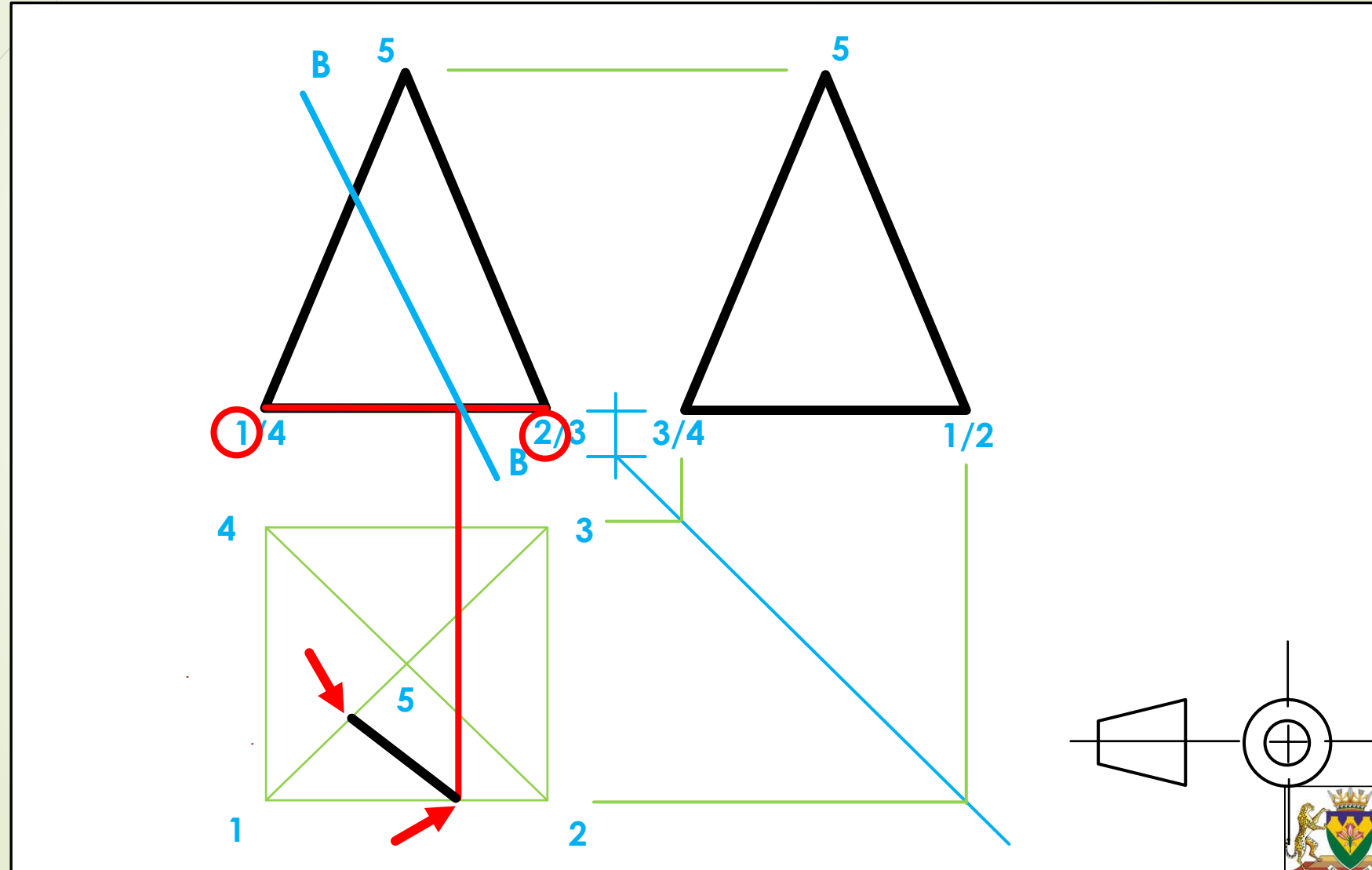
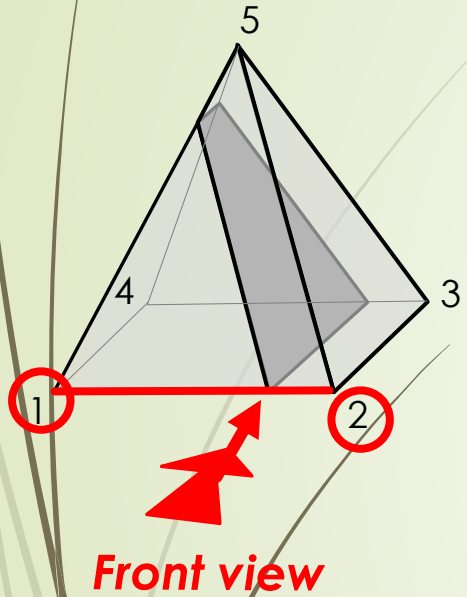
Application on polygons



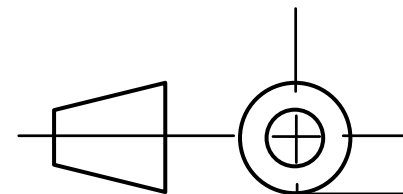
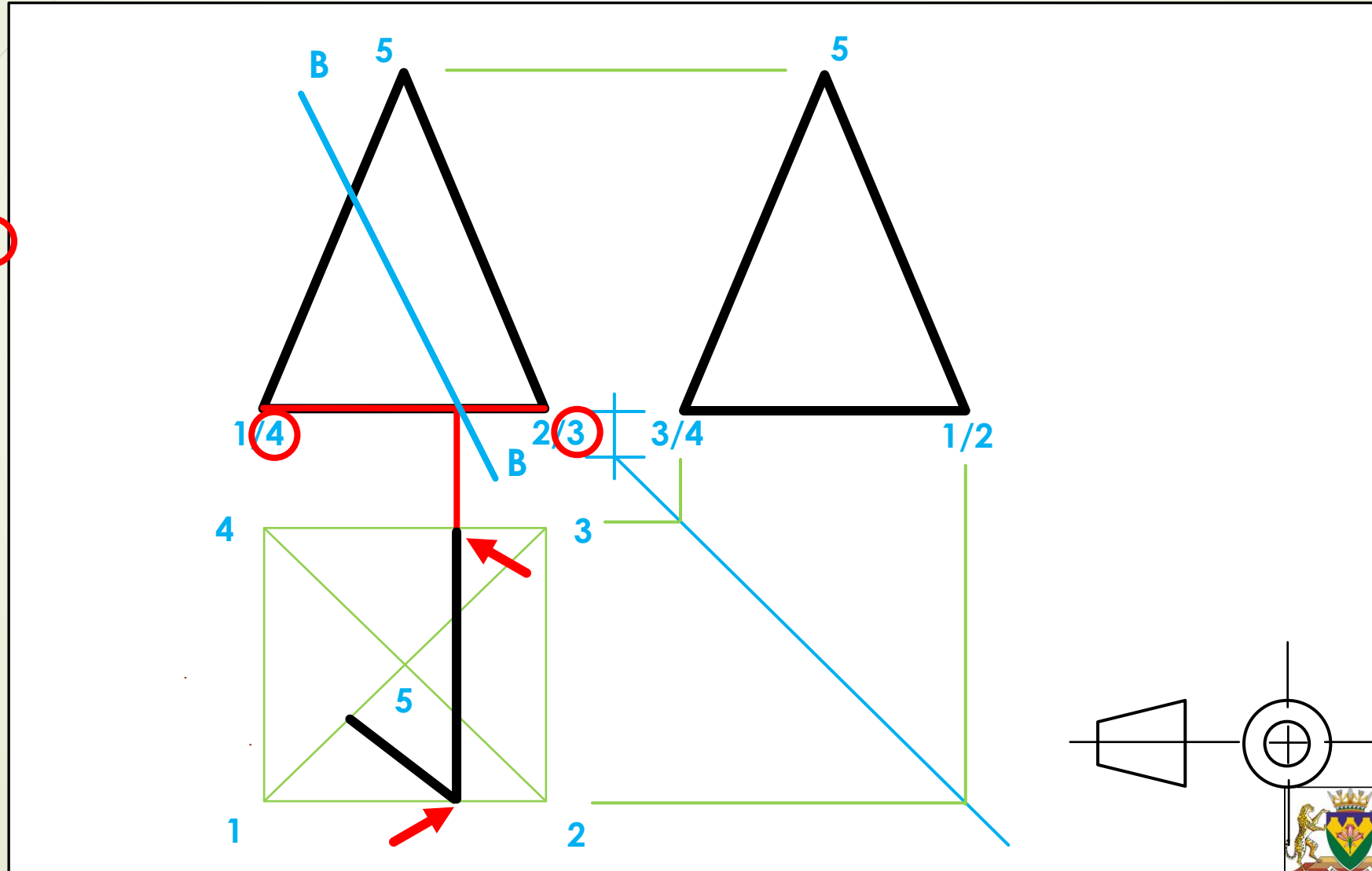
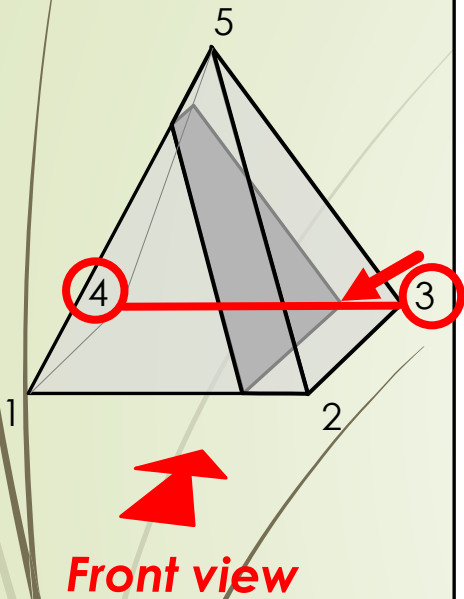
Application on polygons



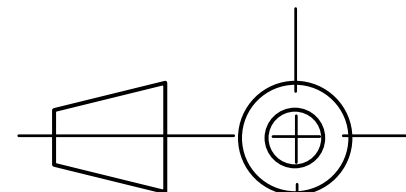
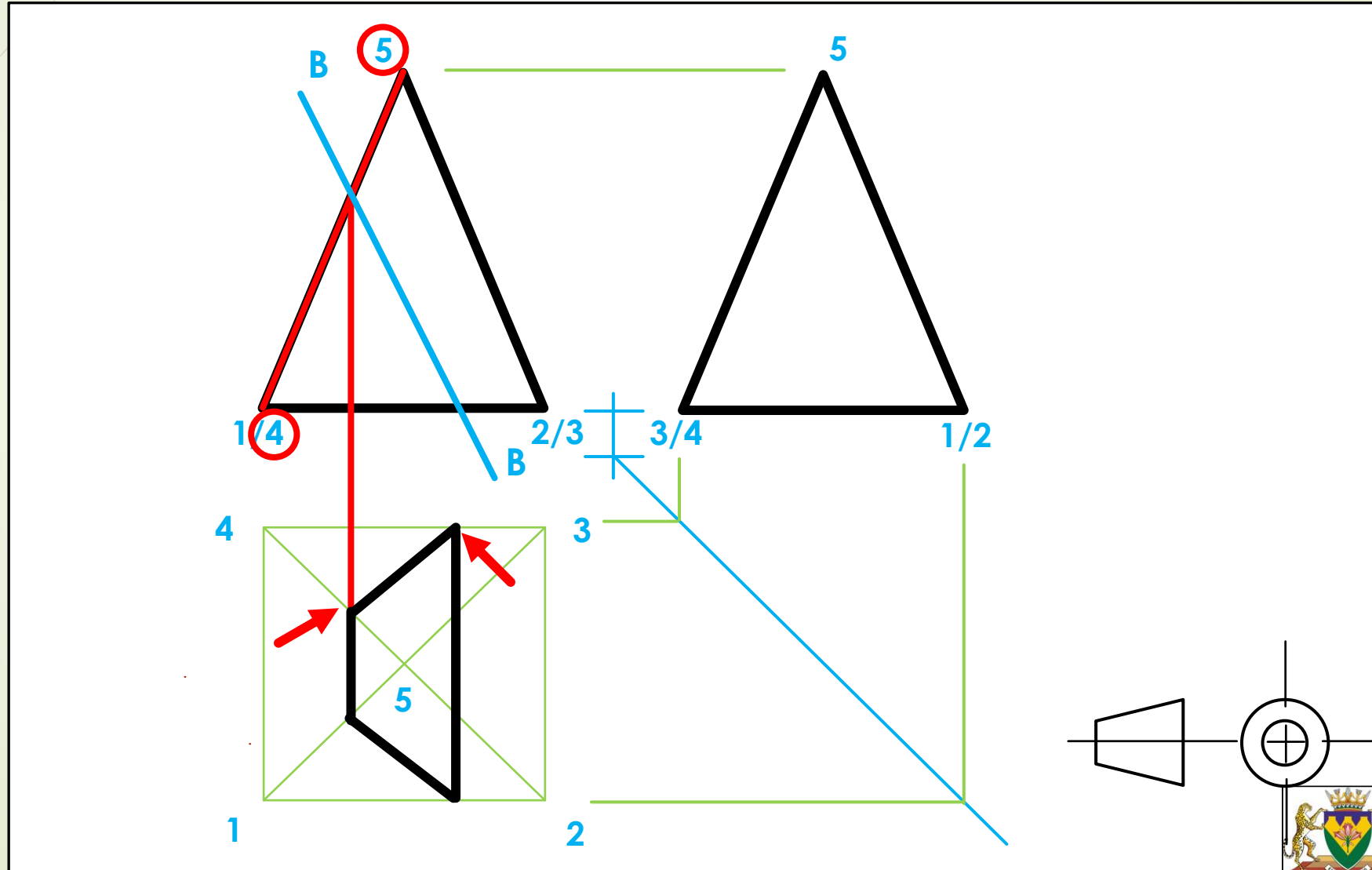
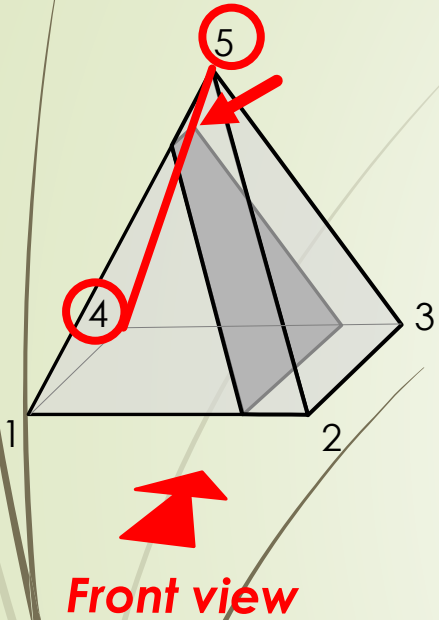
Application on polygons



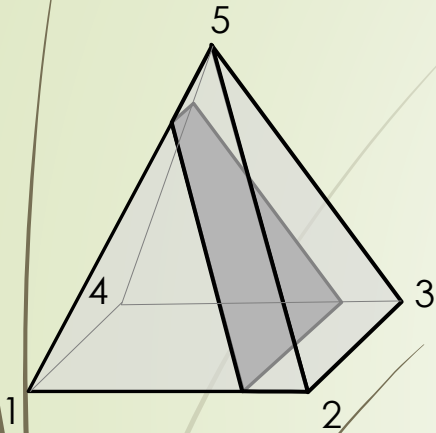
Application on polygons



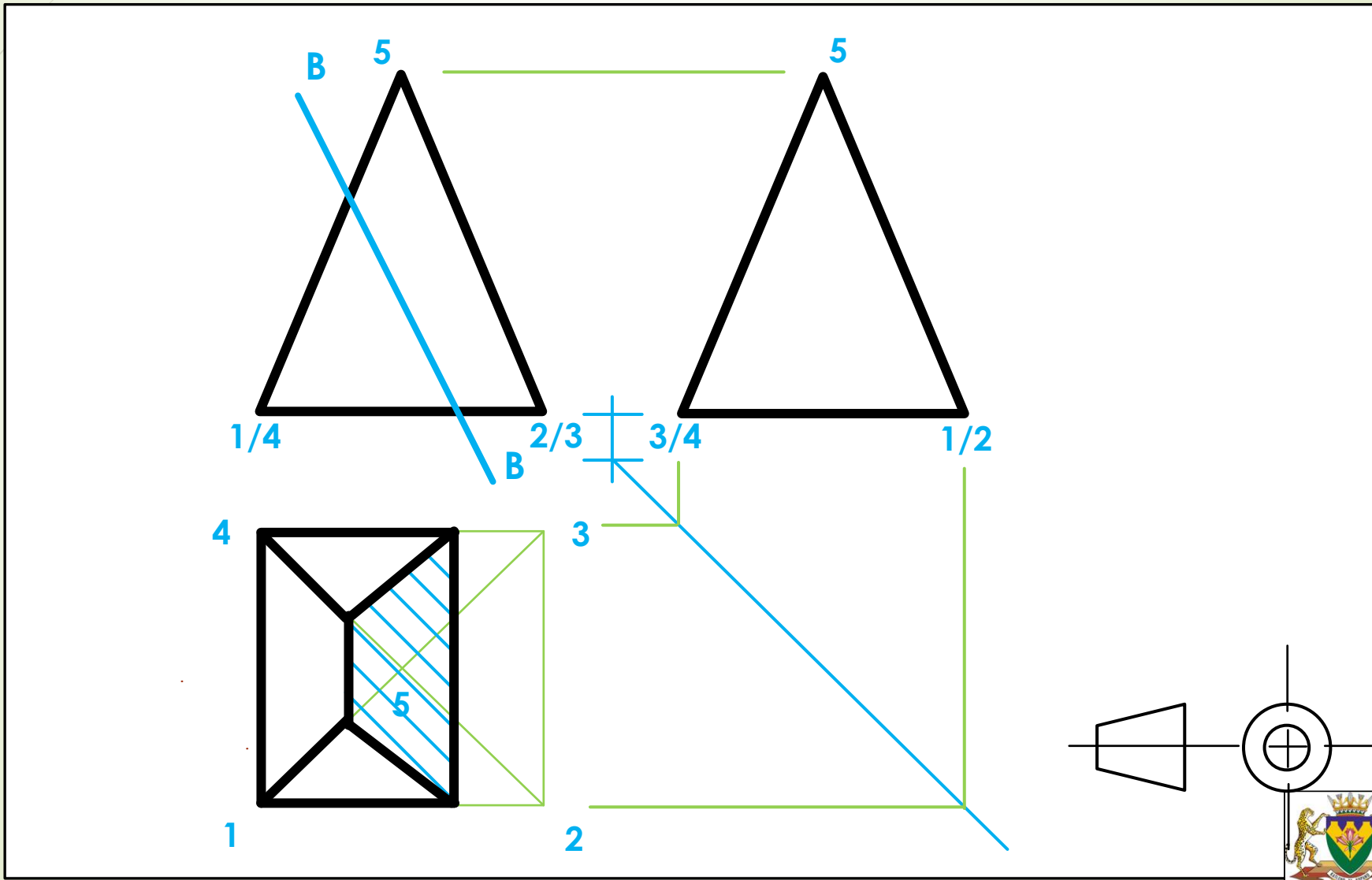
Application on polygons



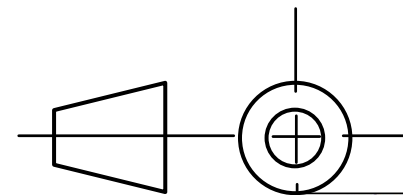
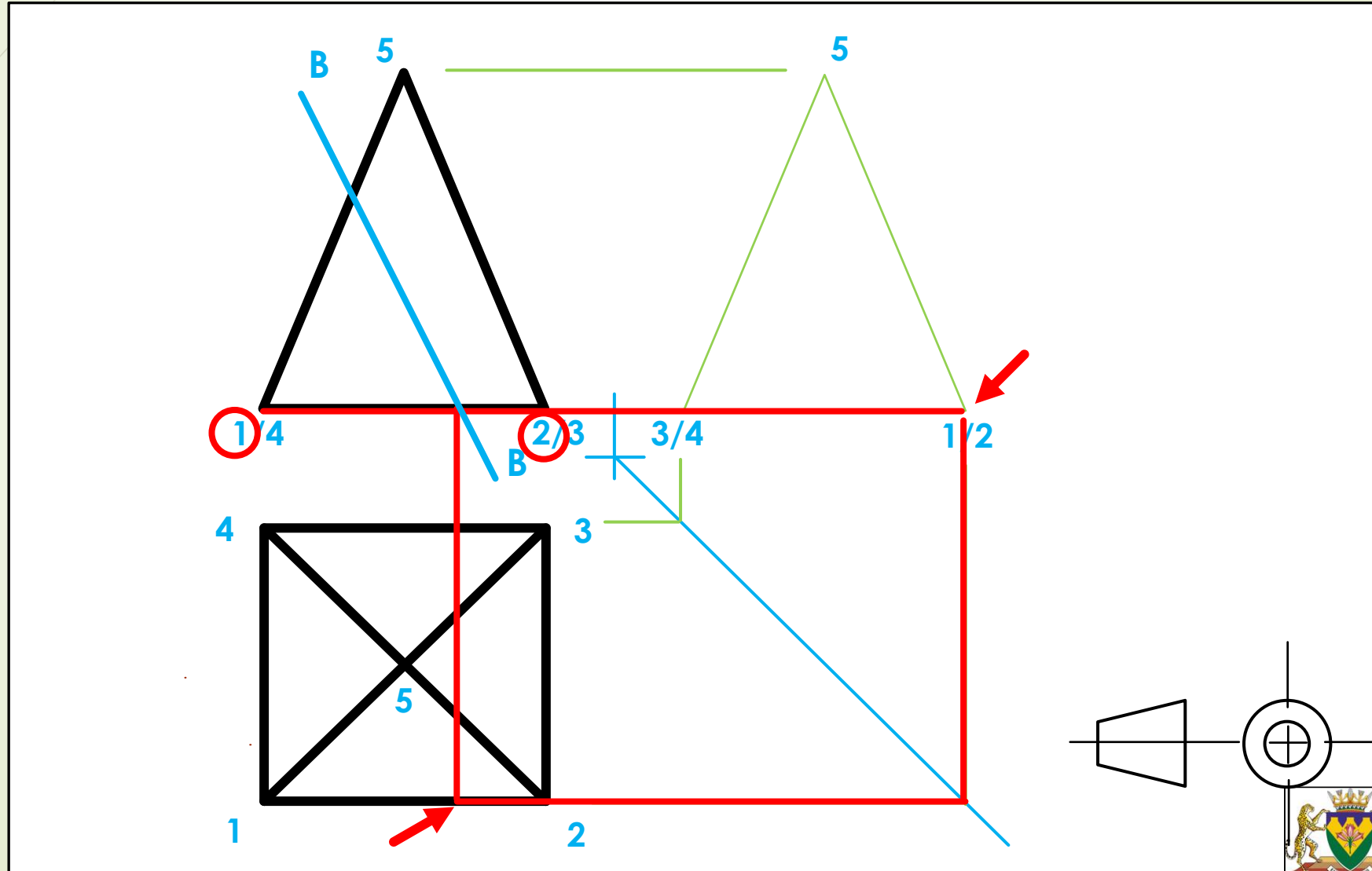
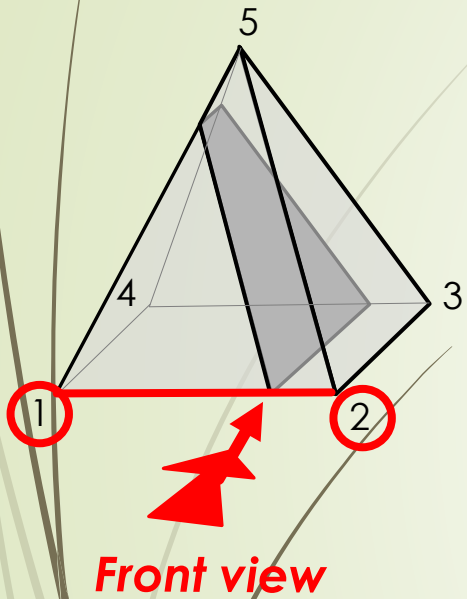
Application on polygons



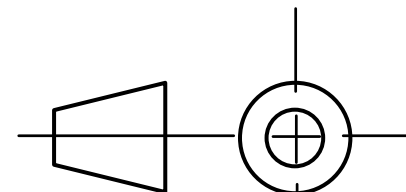
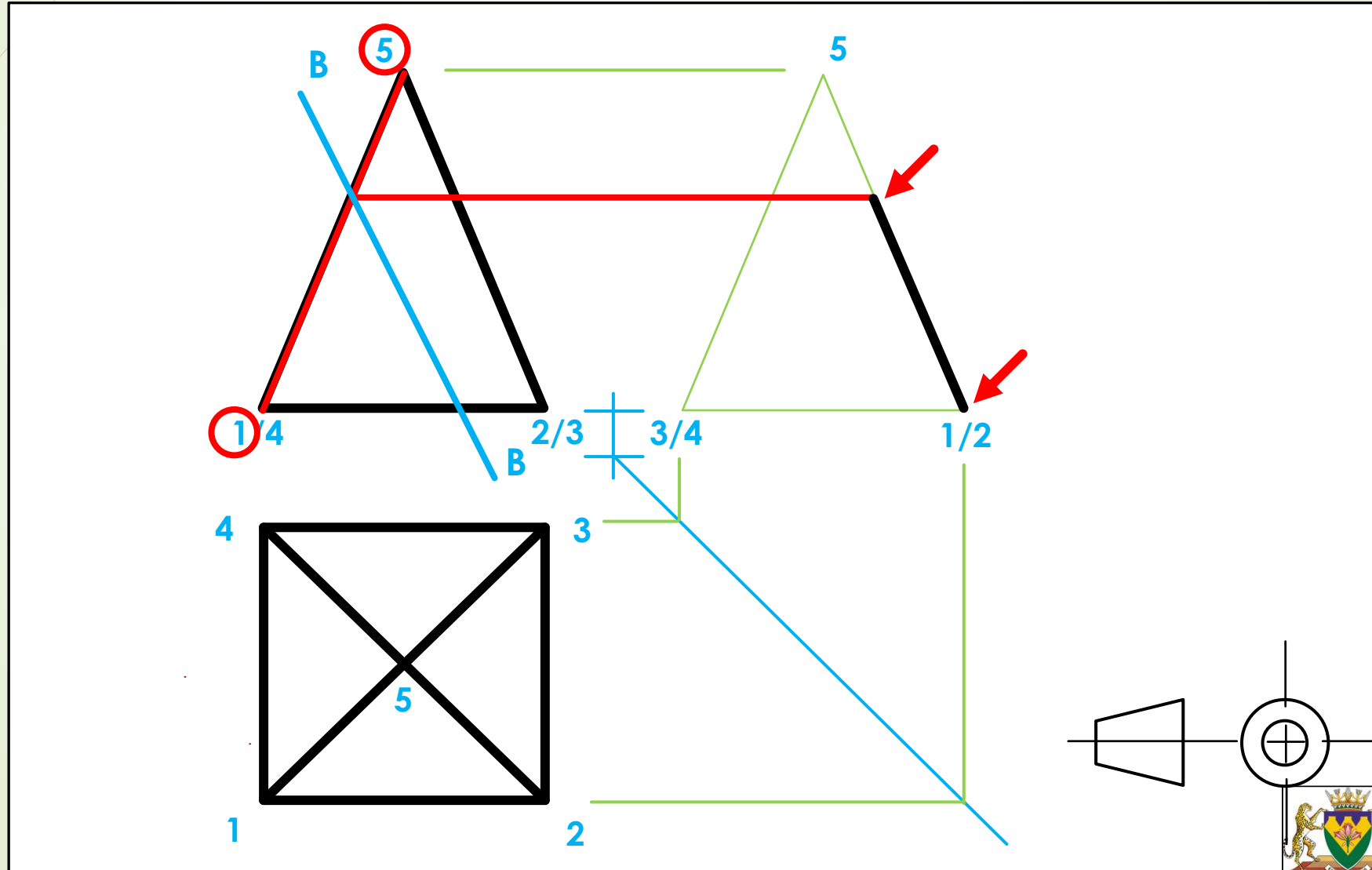
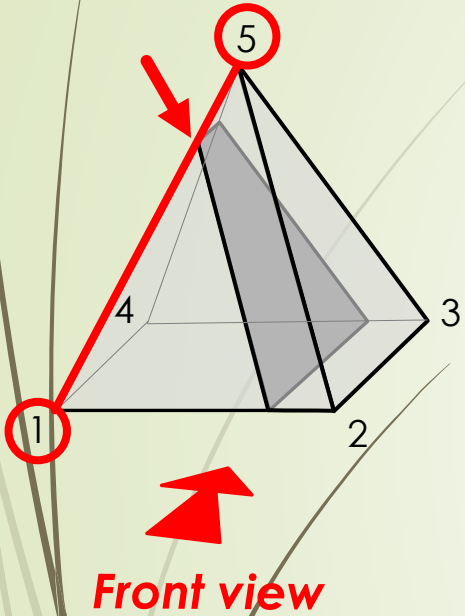
Front view



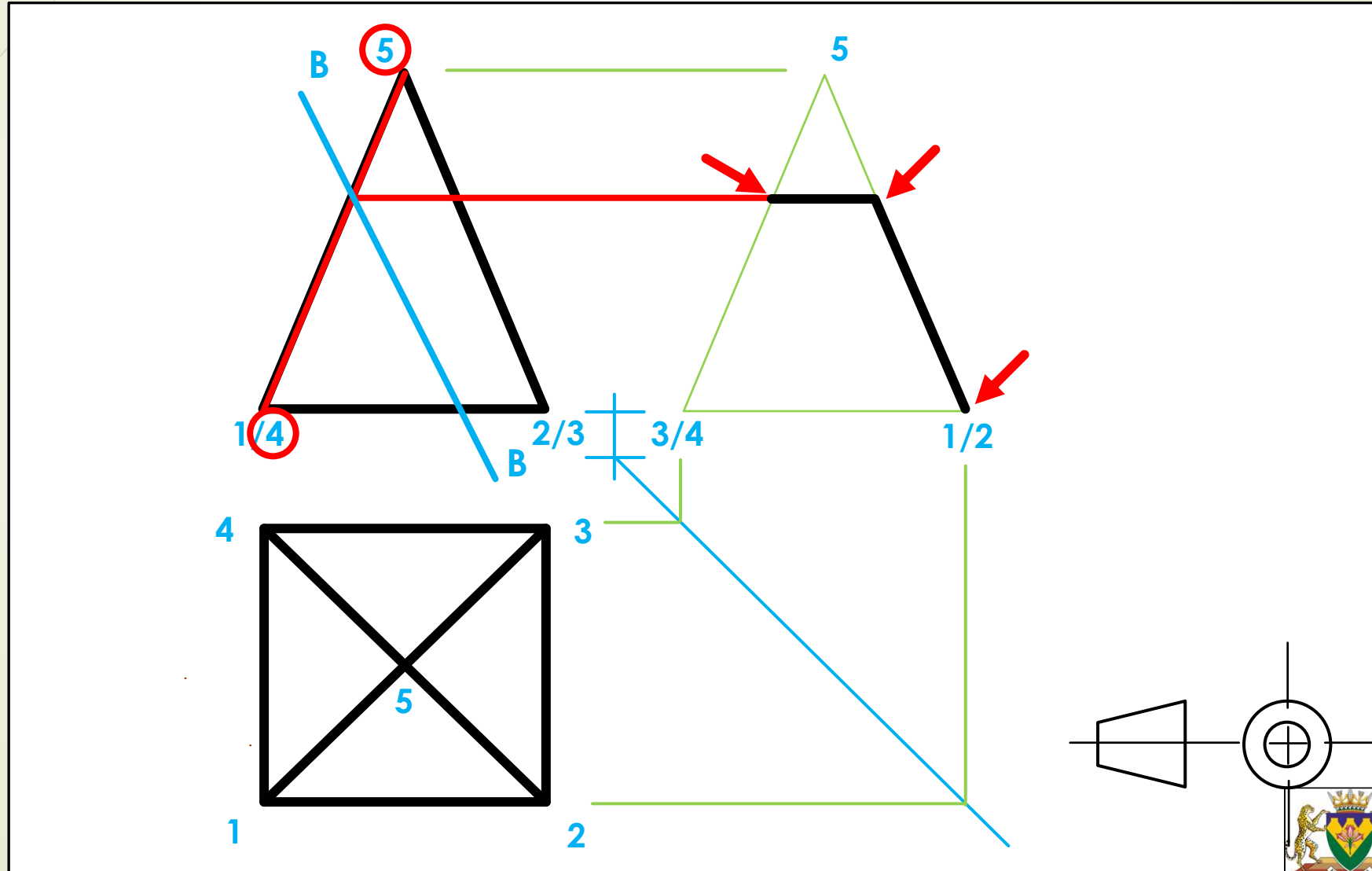
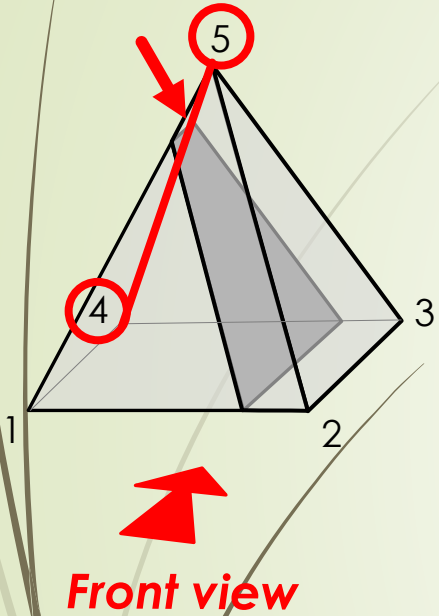
Application on polygons



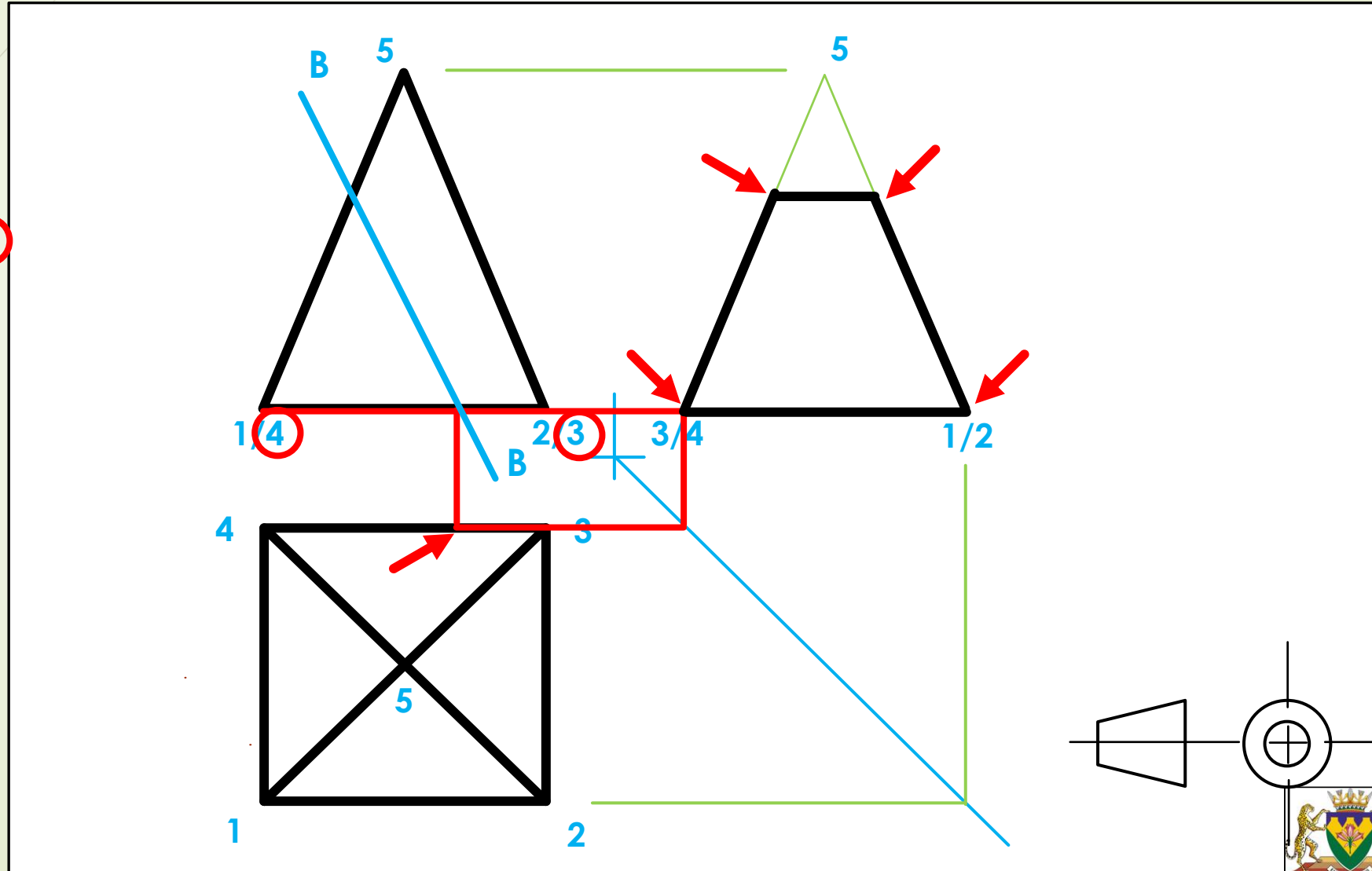
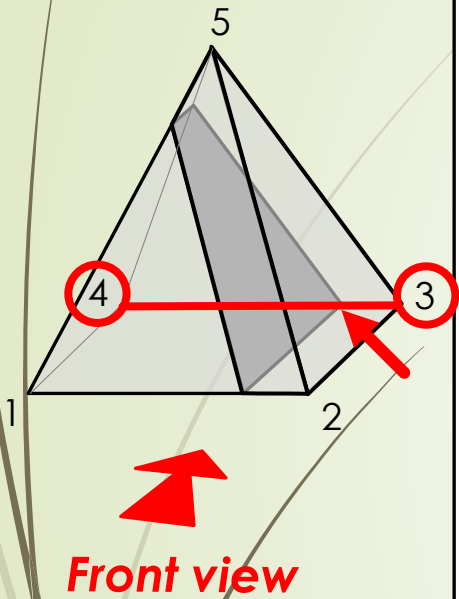
Application on polygons



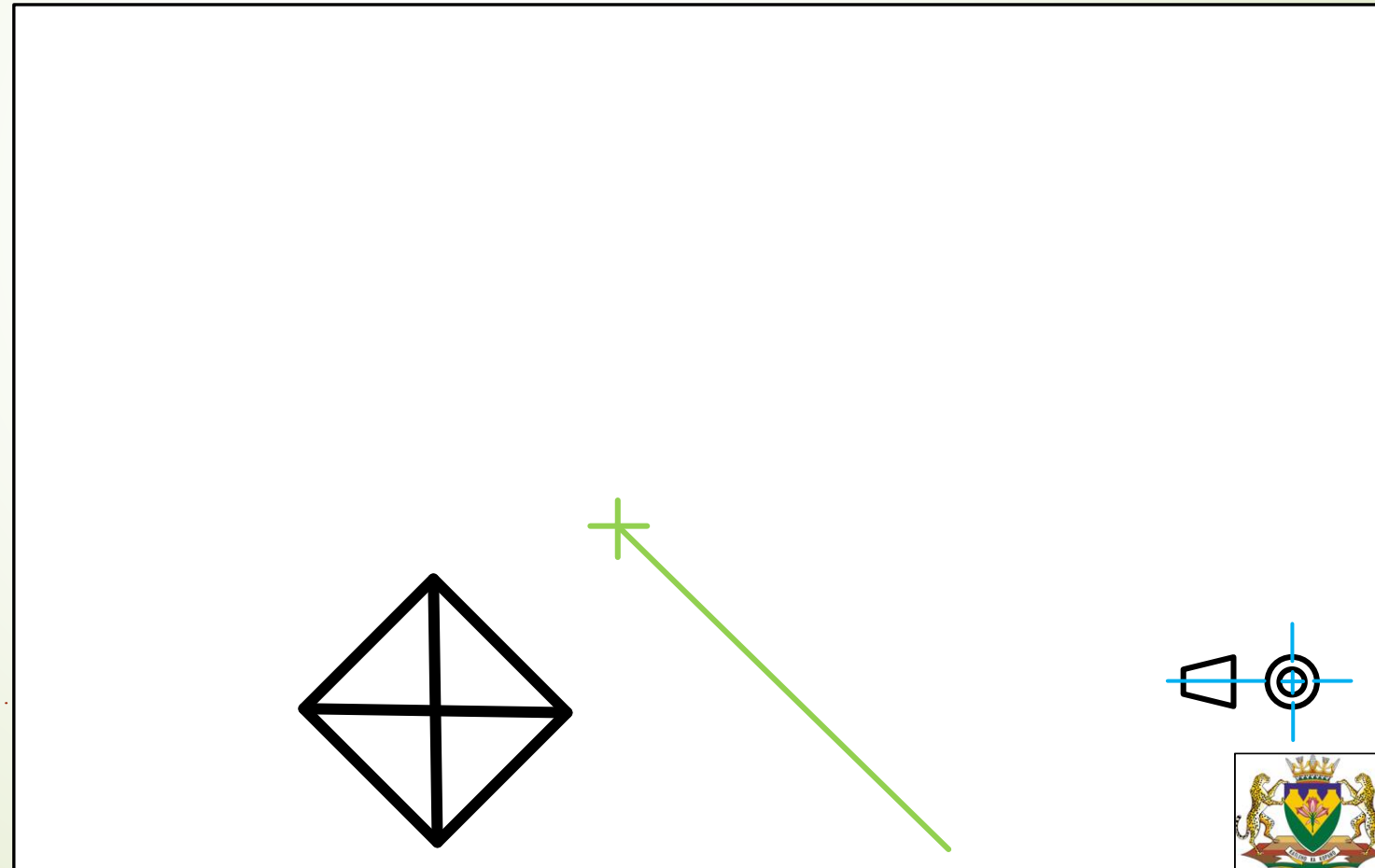
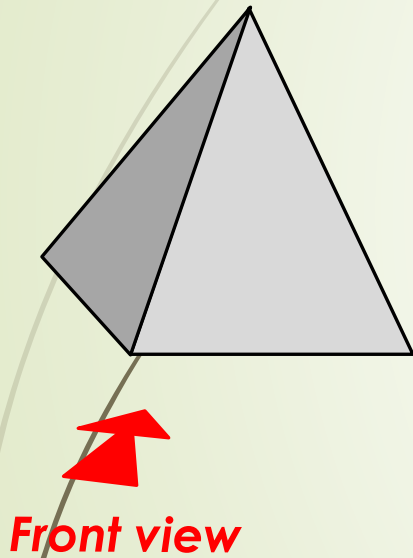
Application on polygons



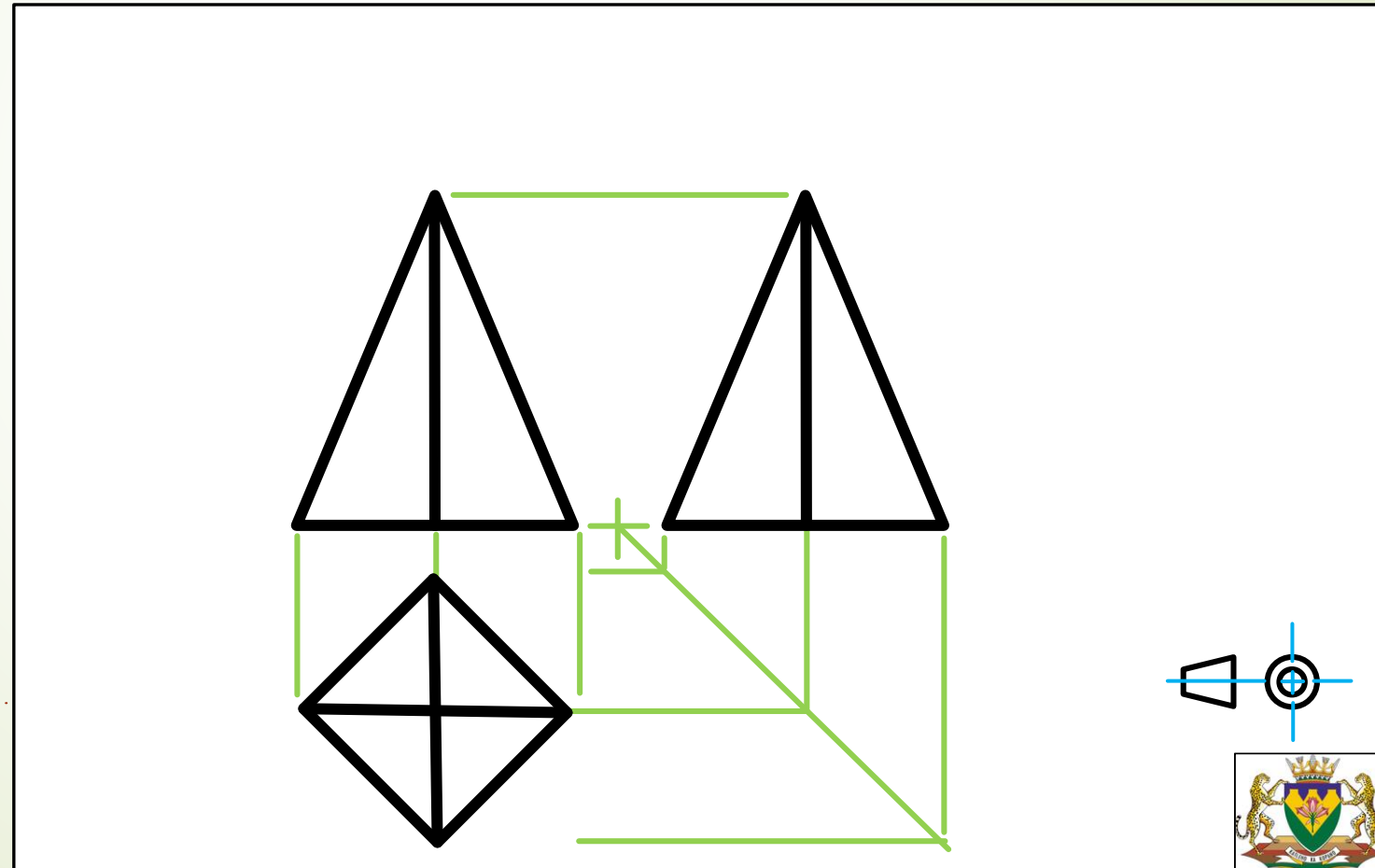
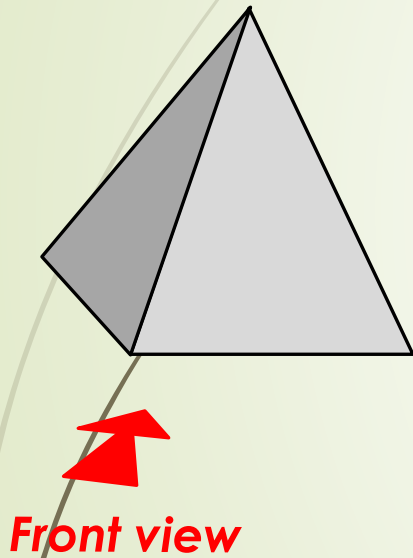
Application on polygons



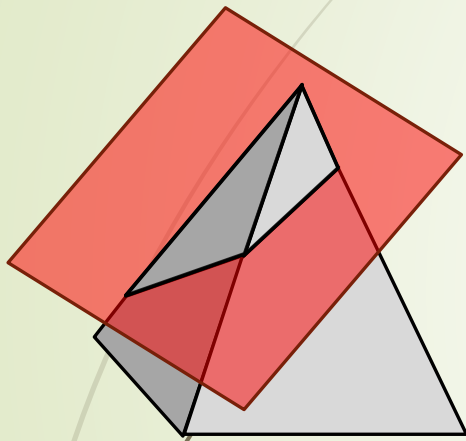
Application on polygons



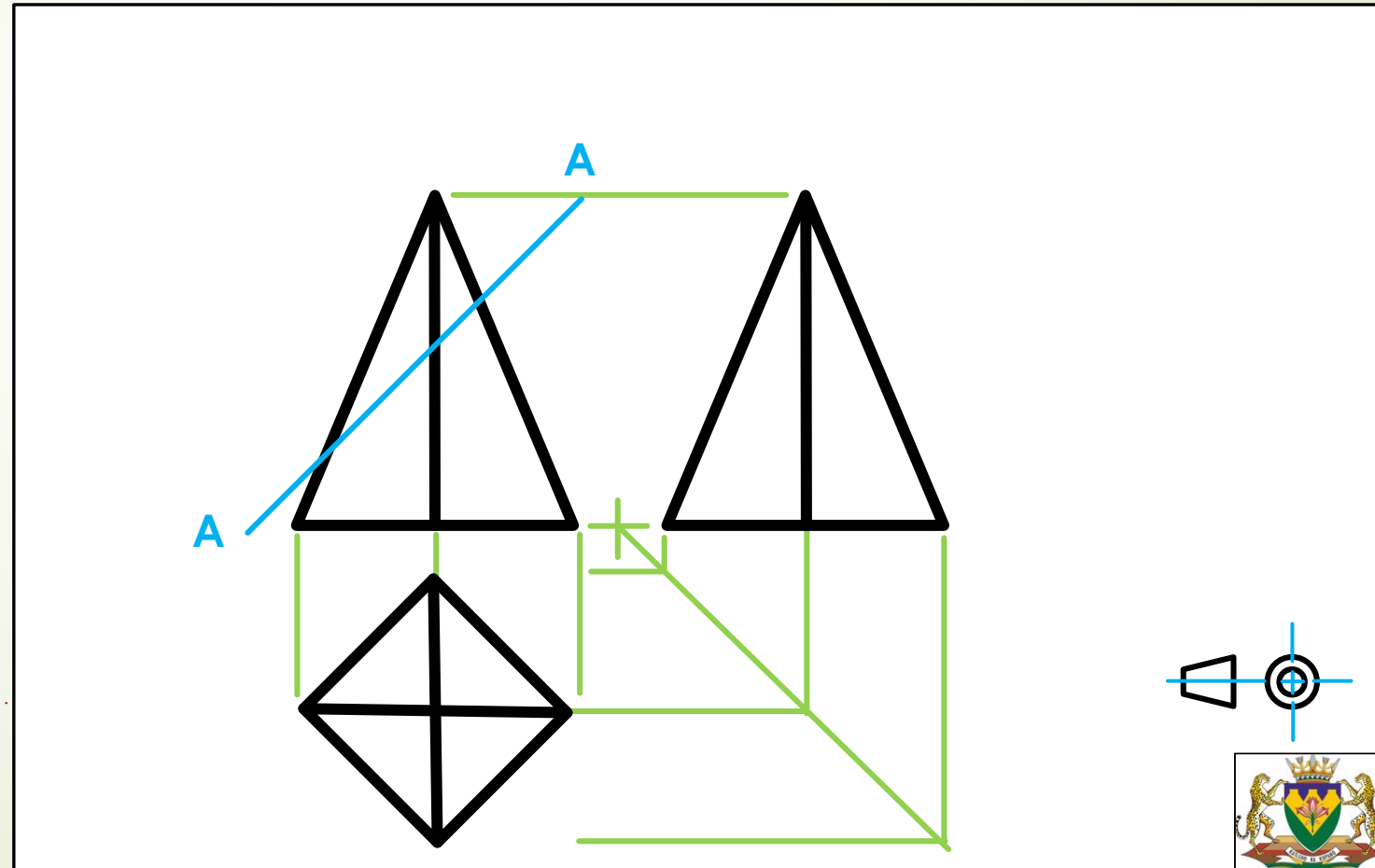
Application on polygons



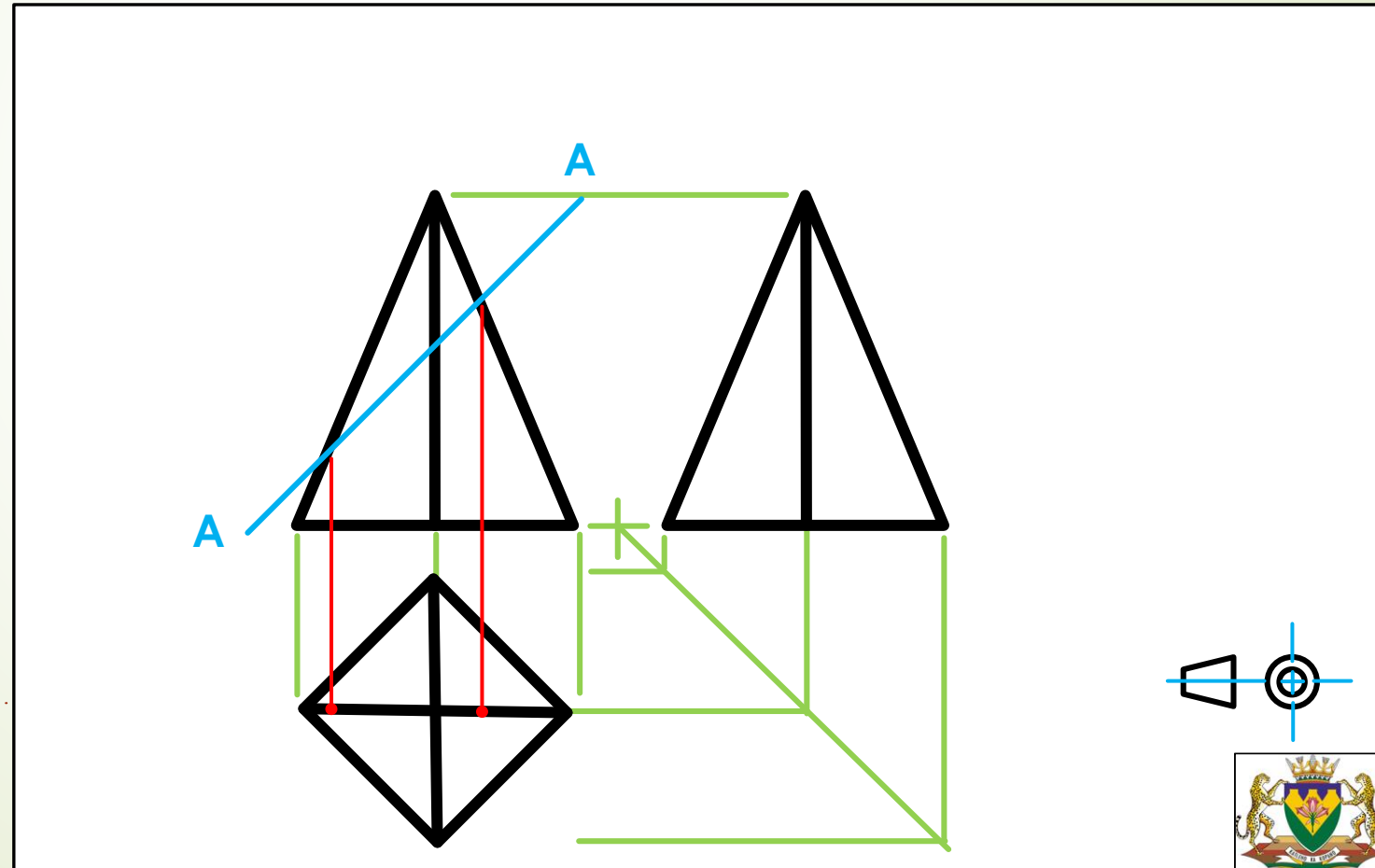
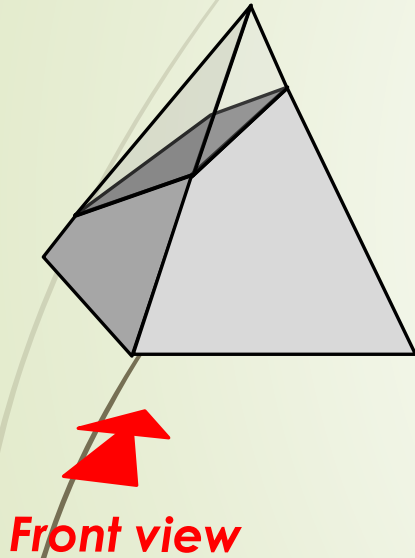
Application on polygons



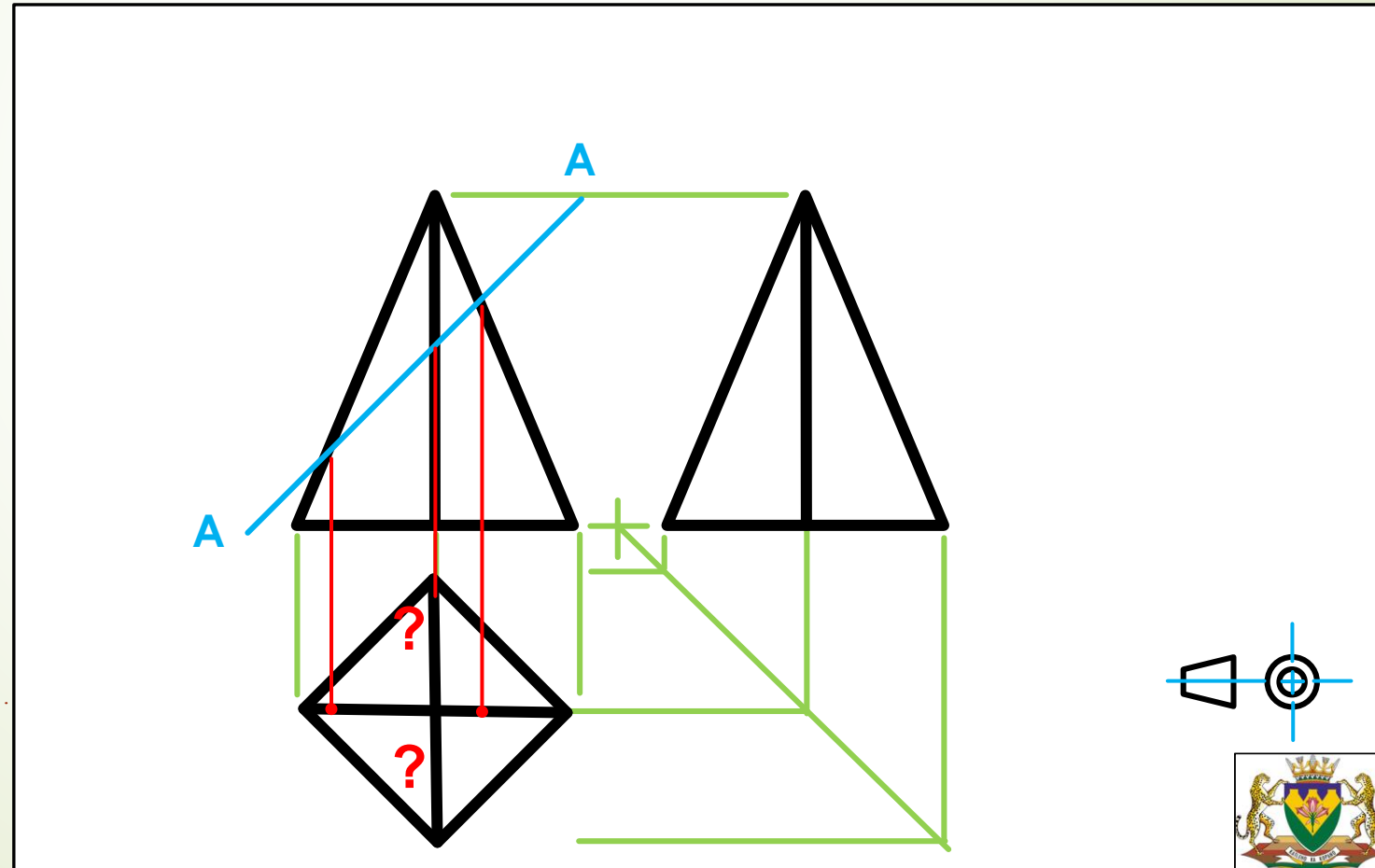
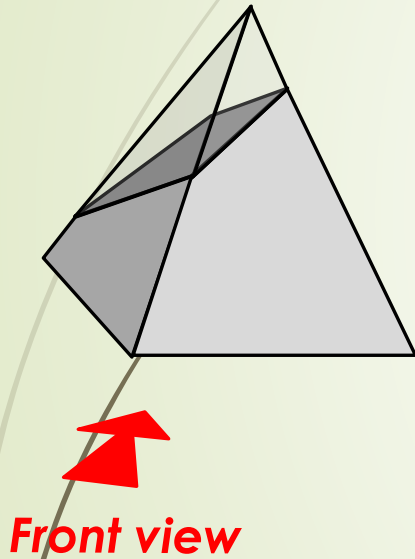
Front view



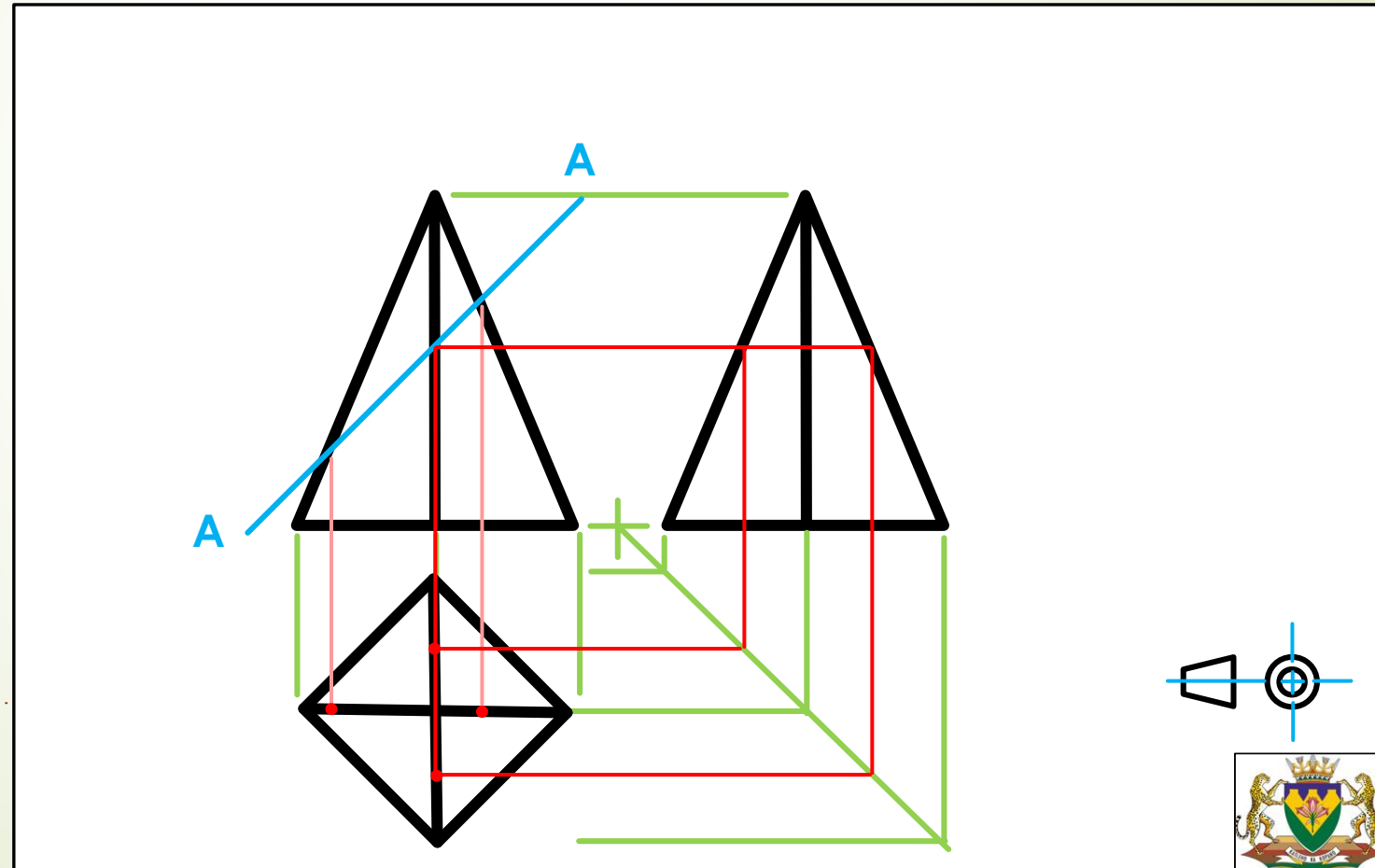
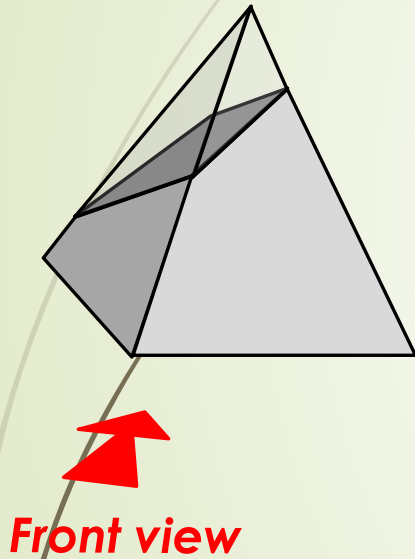
Application on polygons



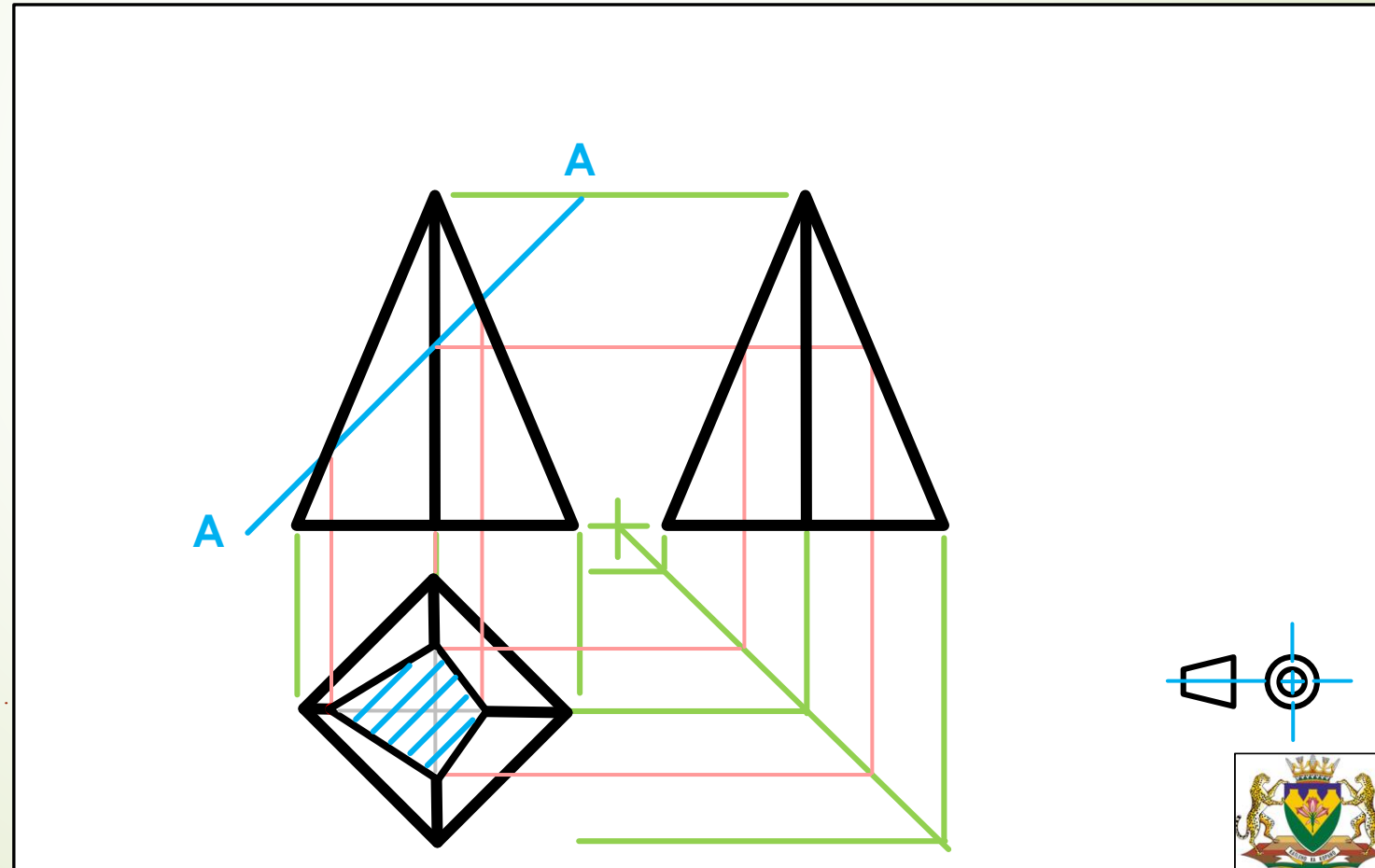
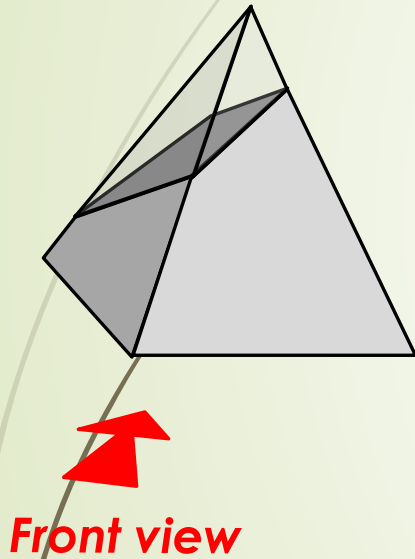
Application on polygons



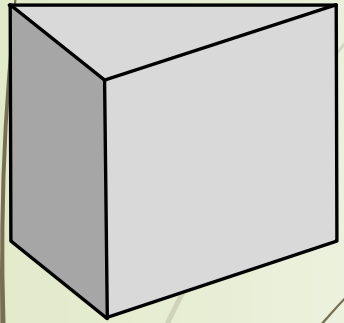
Application on polygons



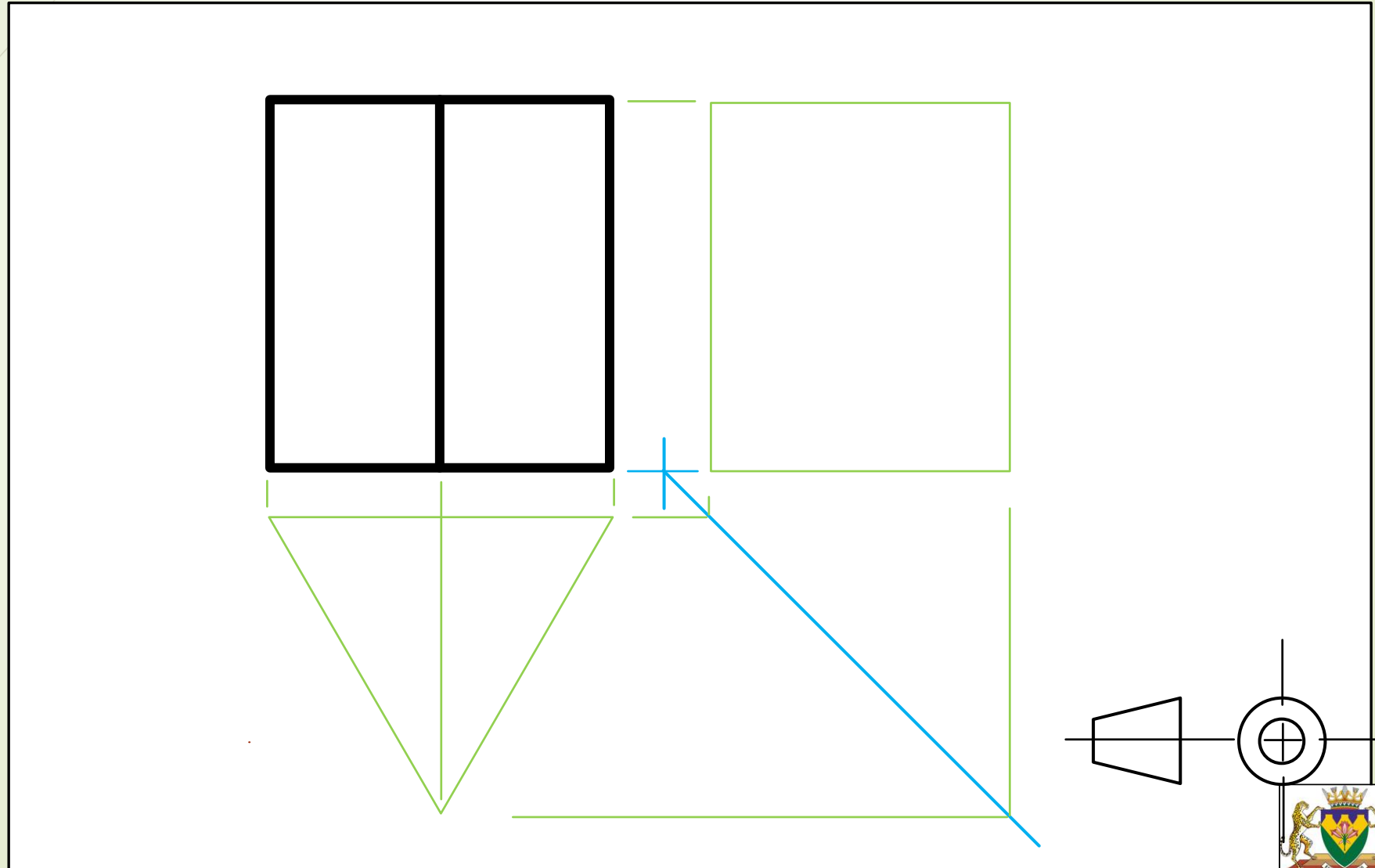
Application on polygons



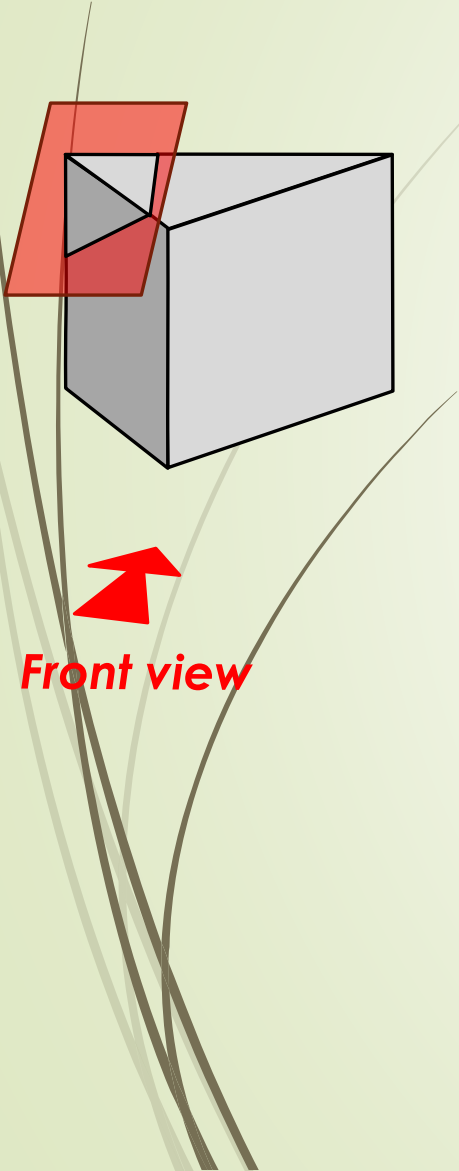
Sectioning through a right solid



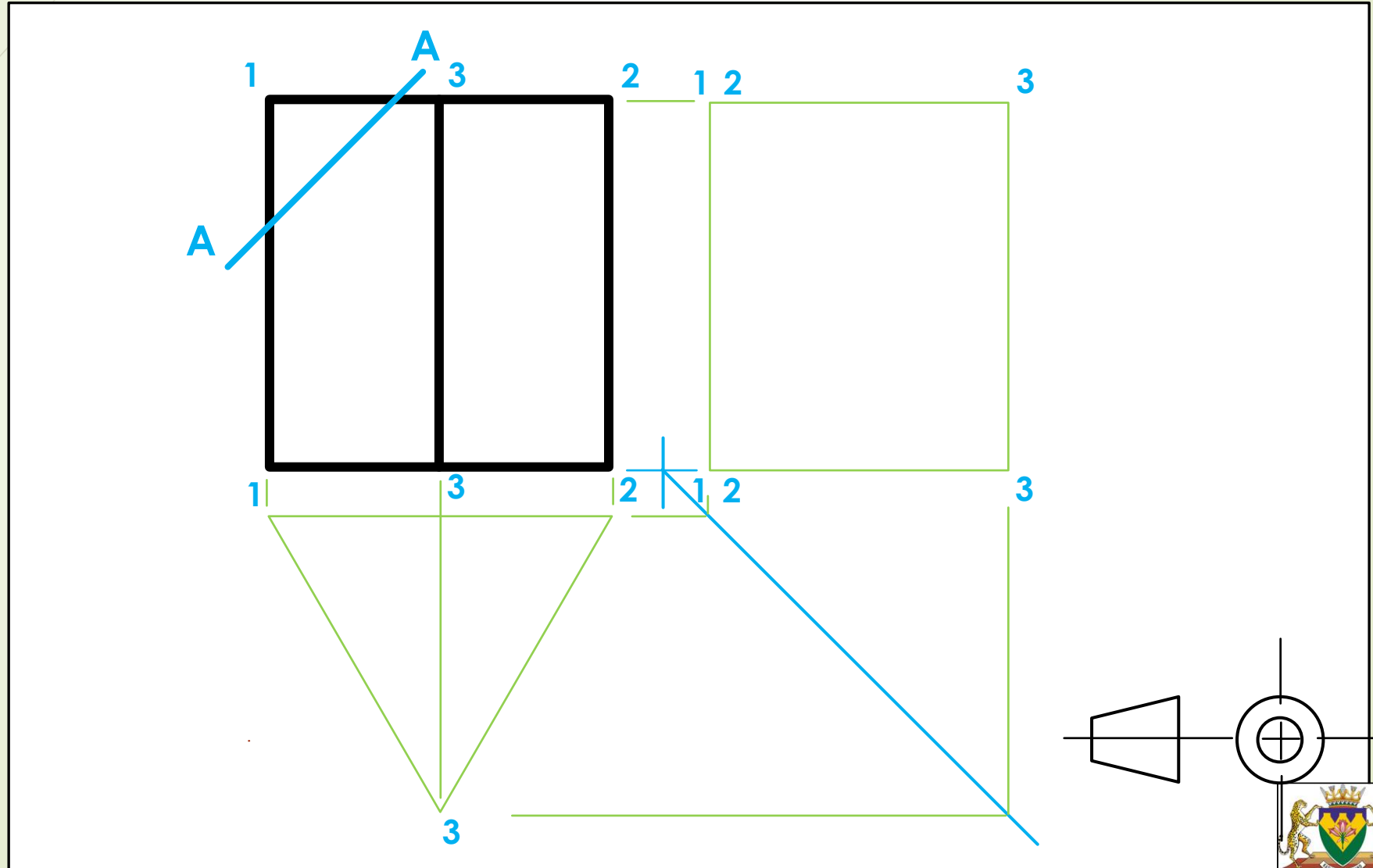
Front view



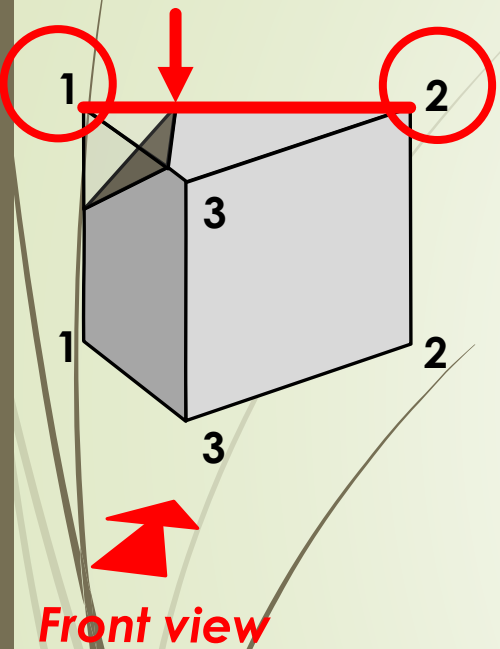
Sectioning through a right solid



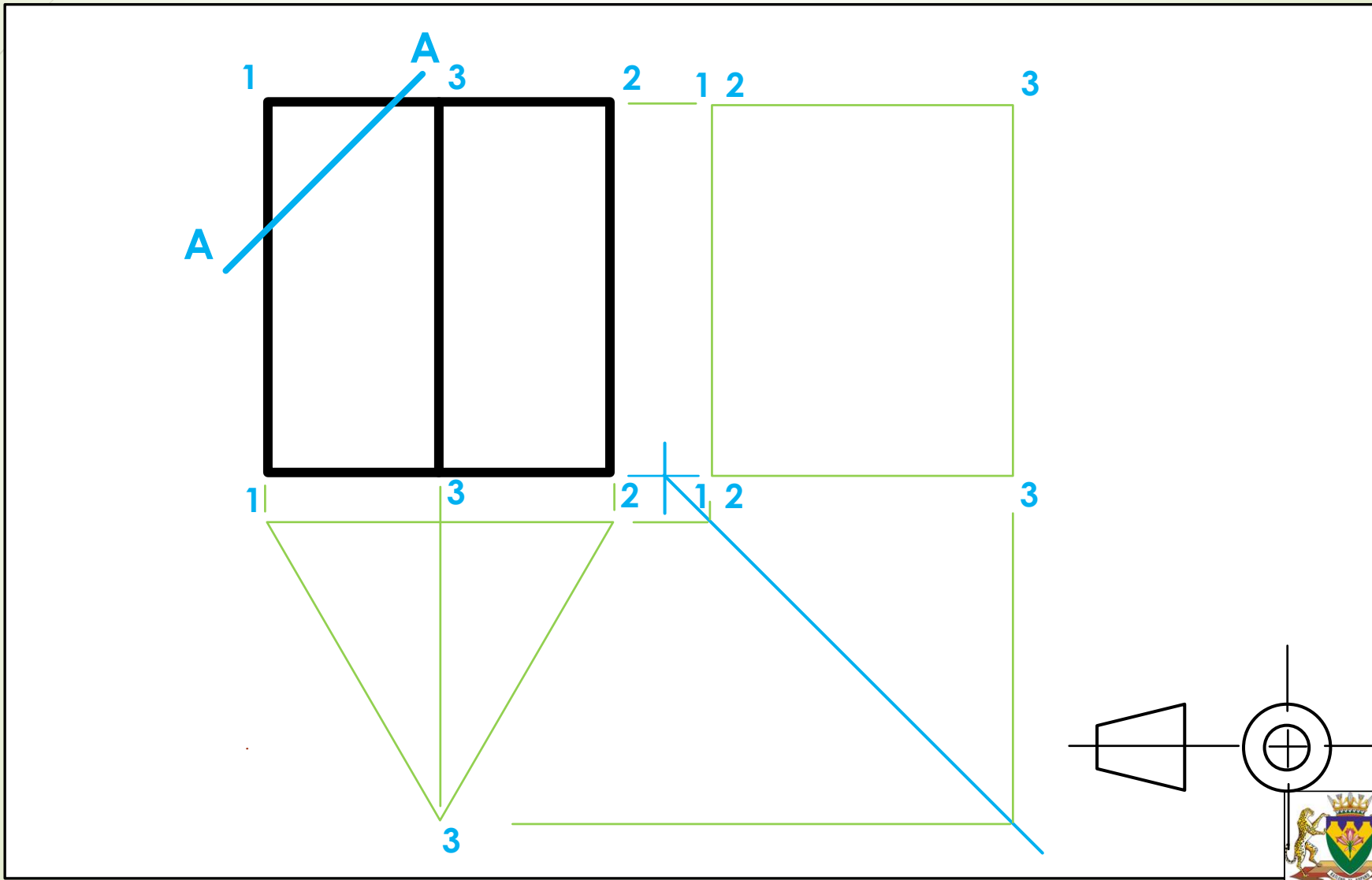
Front view



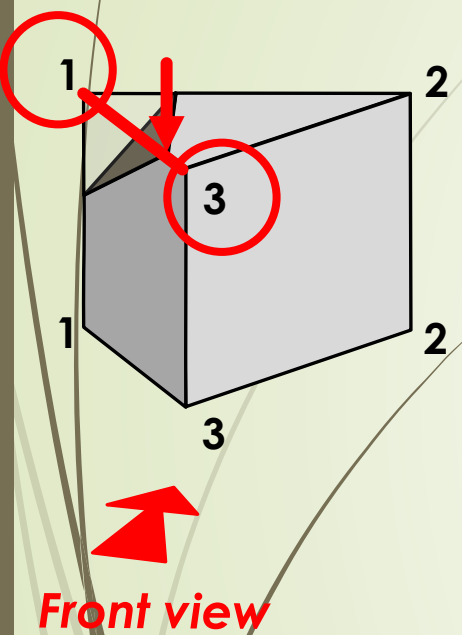
Sectioning through a right solid



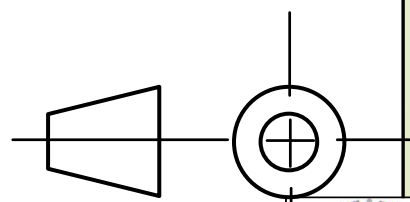
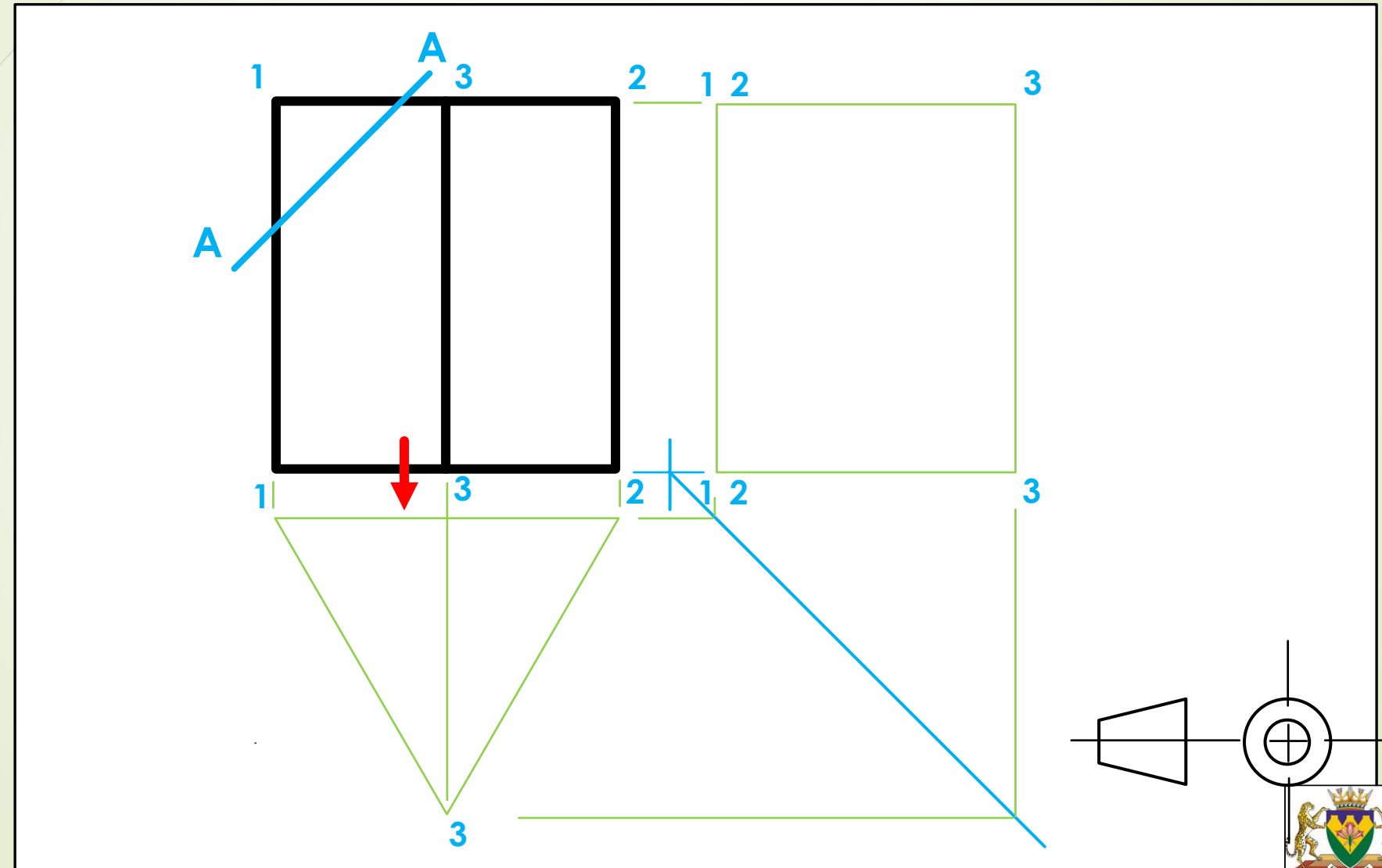
Front view



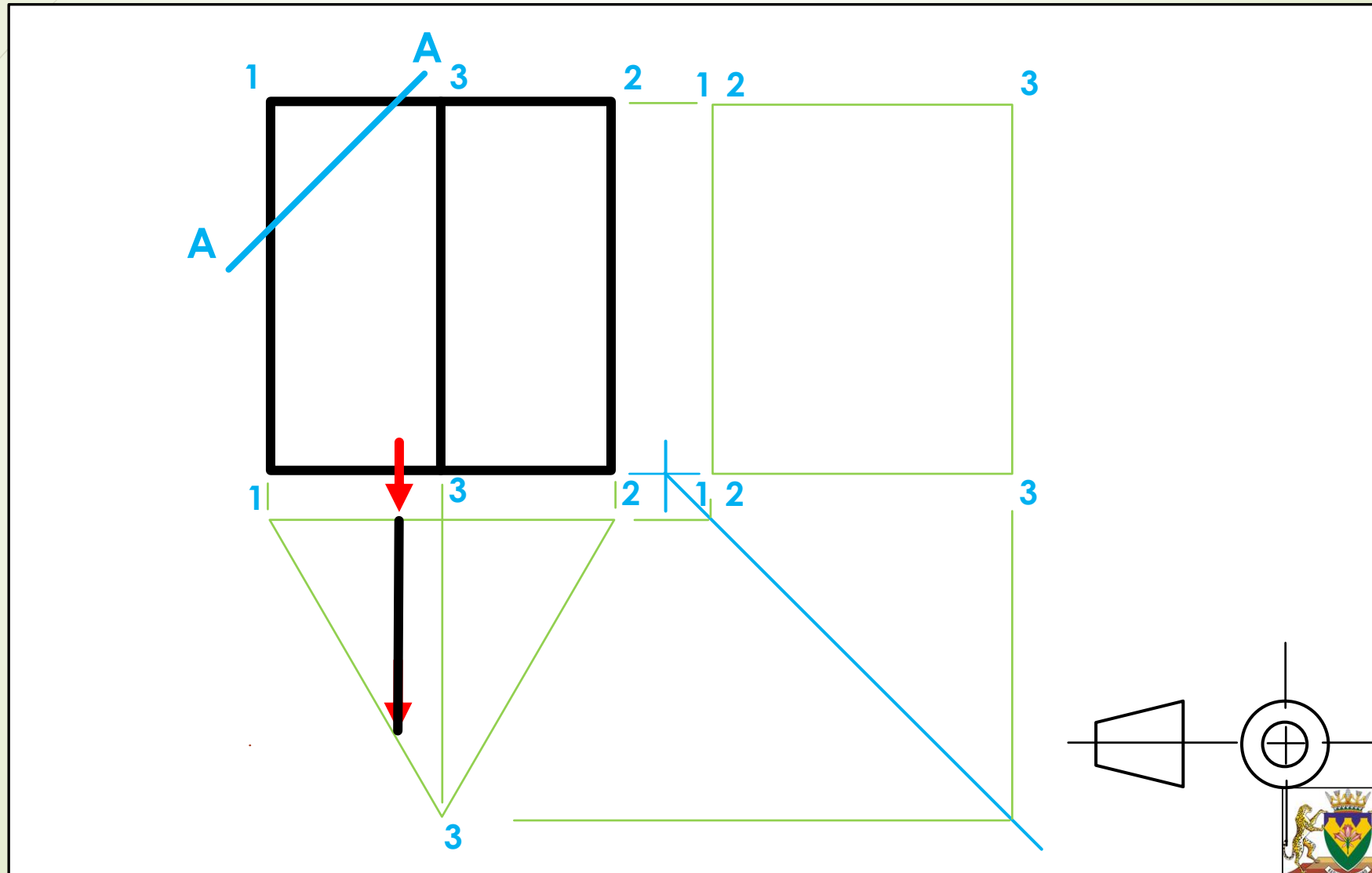
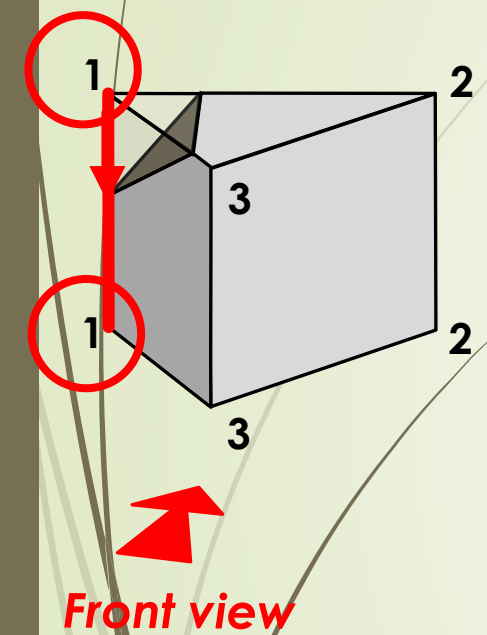
Sectioning through a right solid



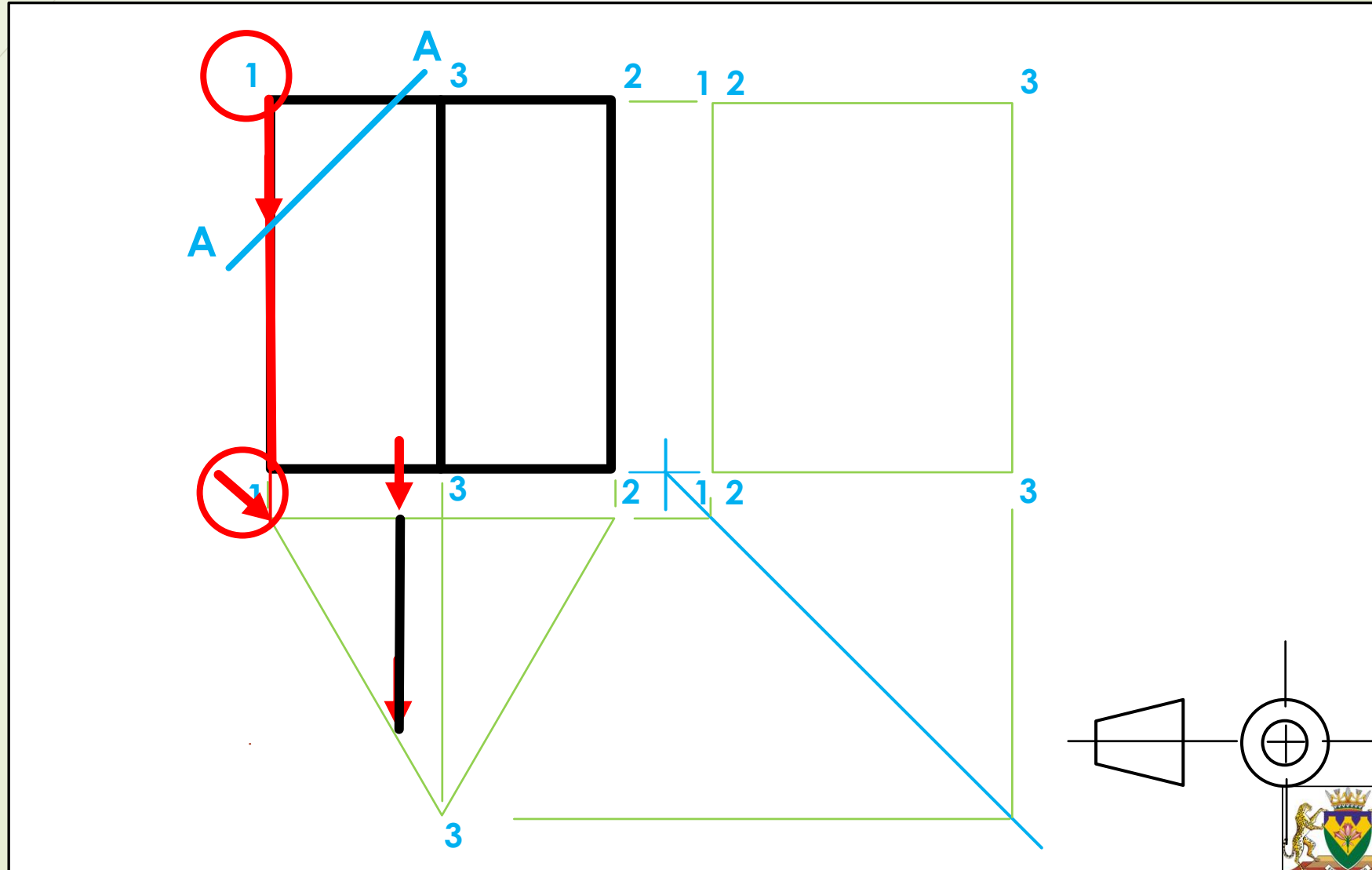
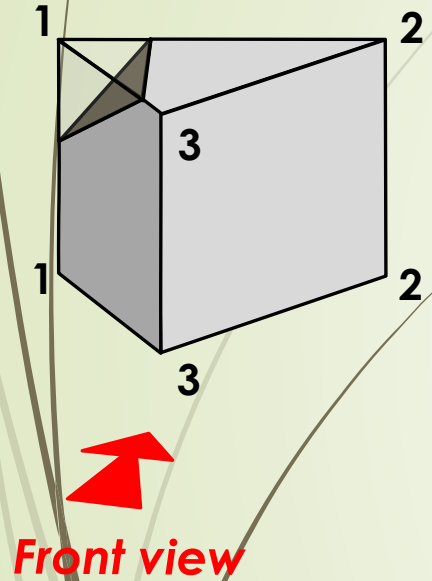
Front view



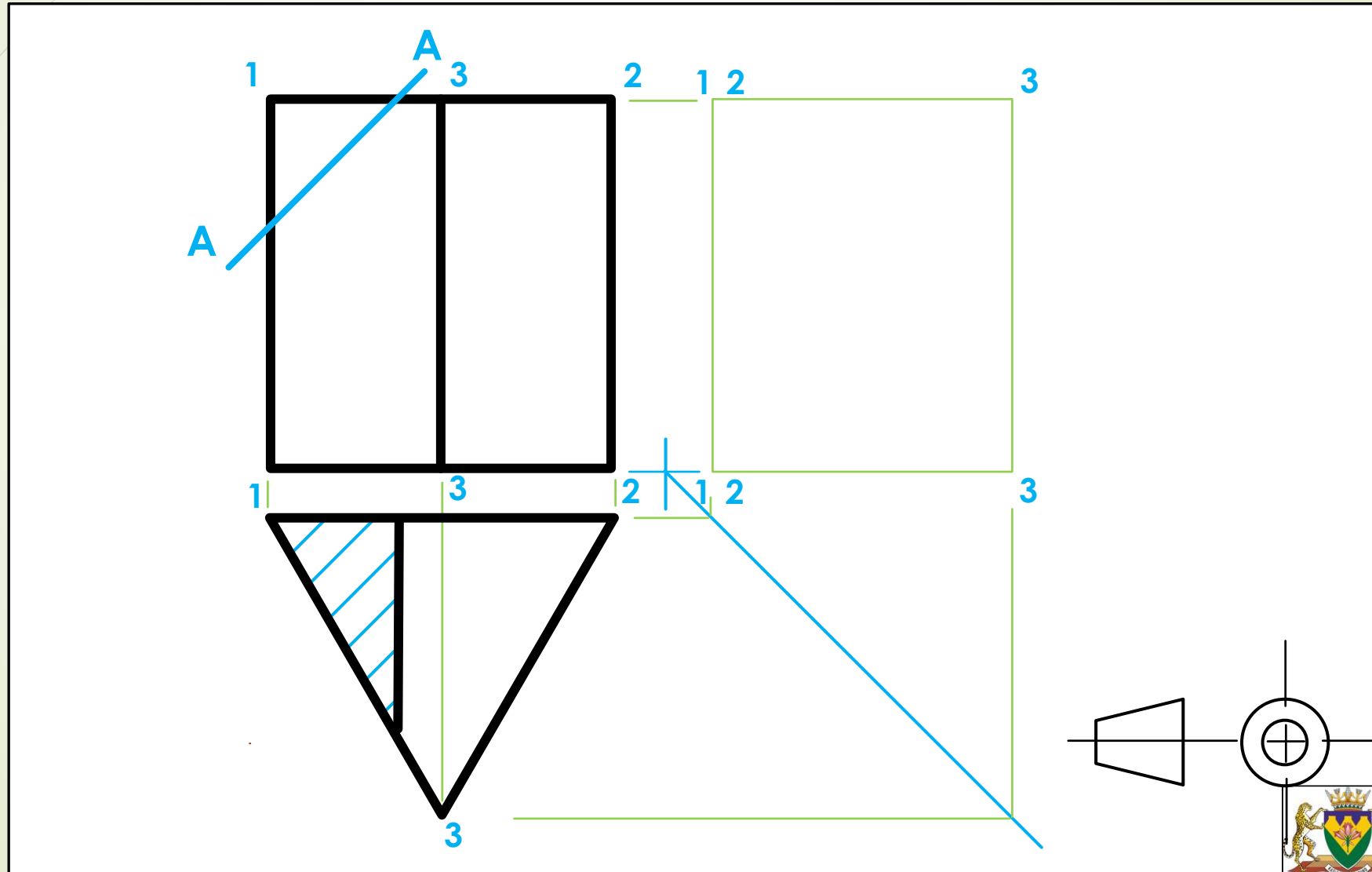
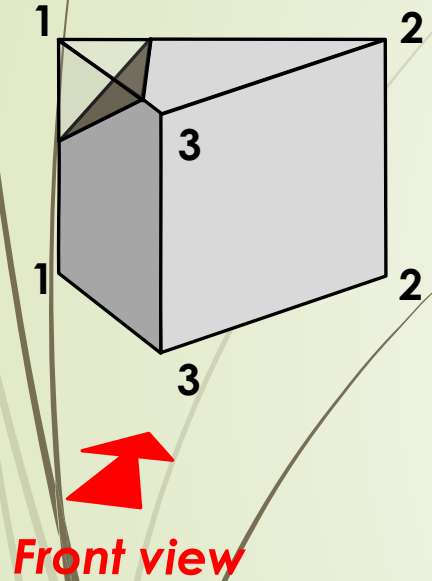
Sectioning through a right solid



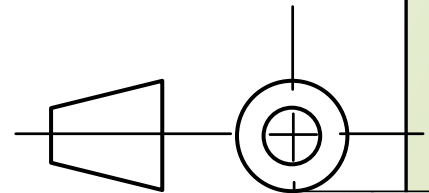
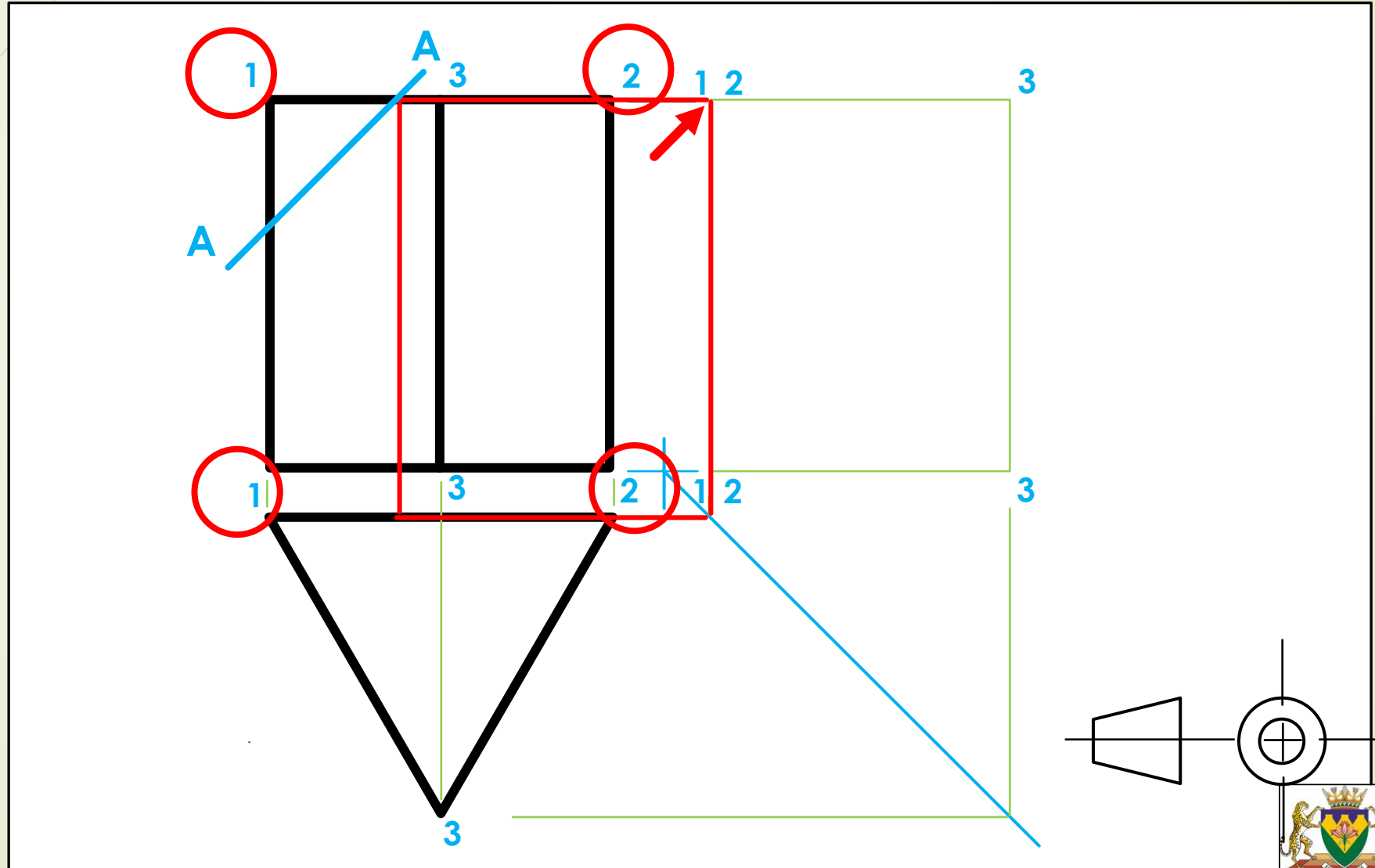
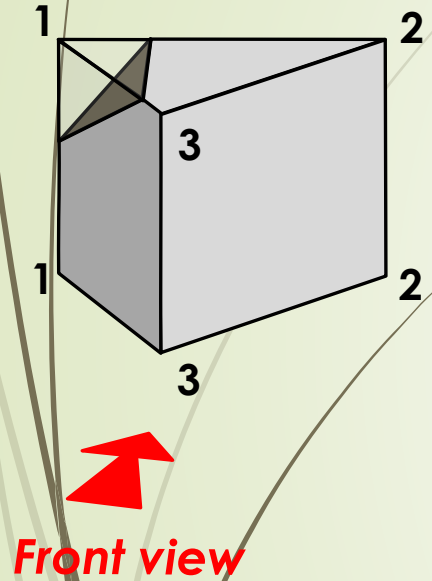
Sectioning through a right solid



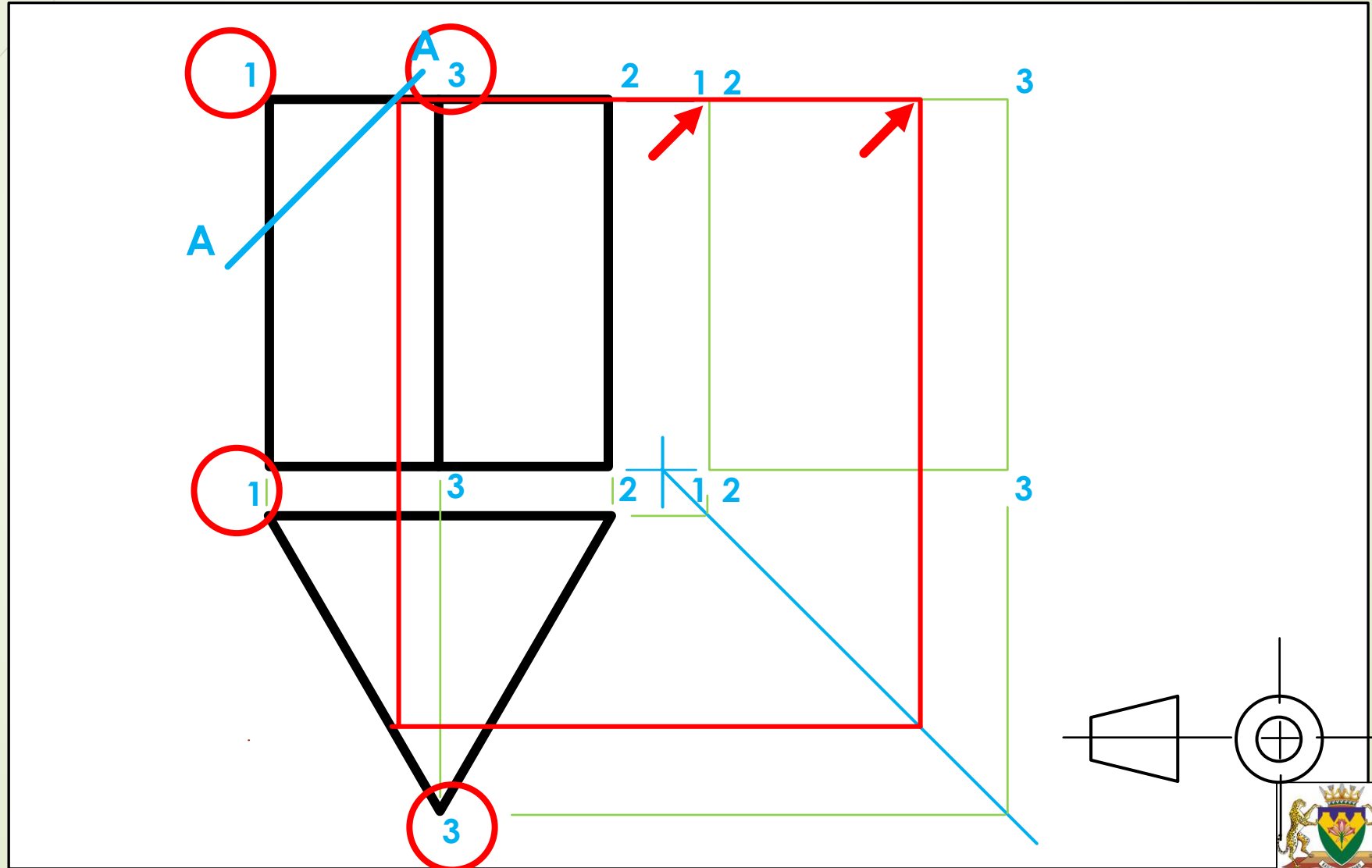
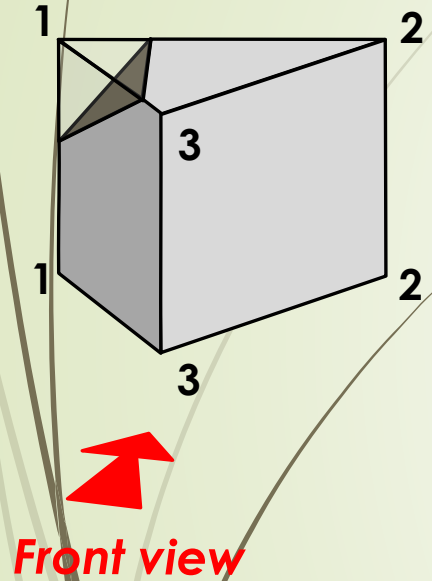
Sectioning through a right solid



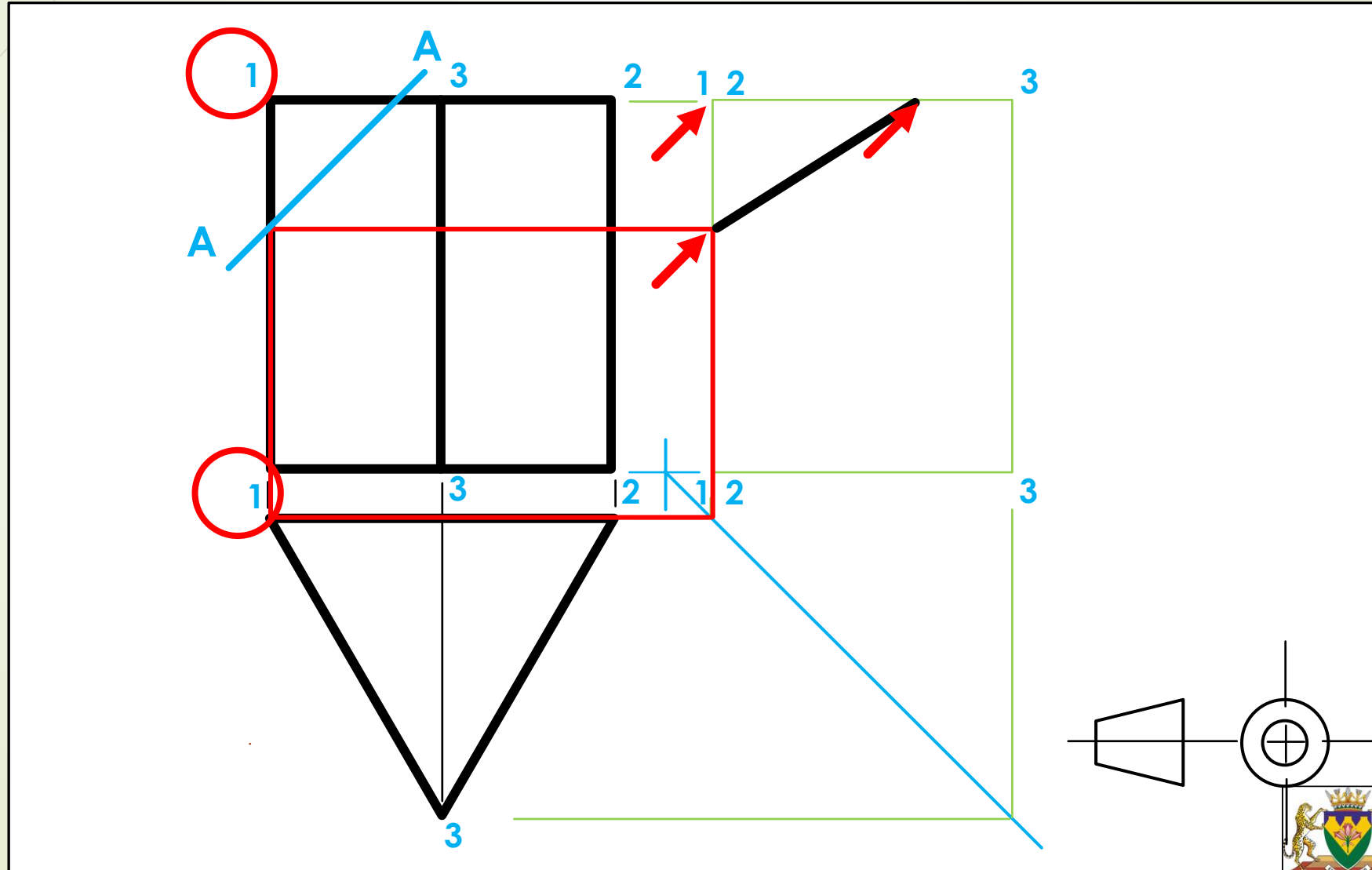
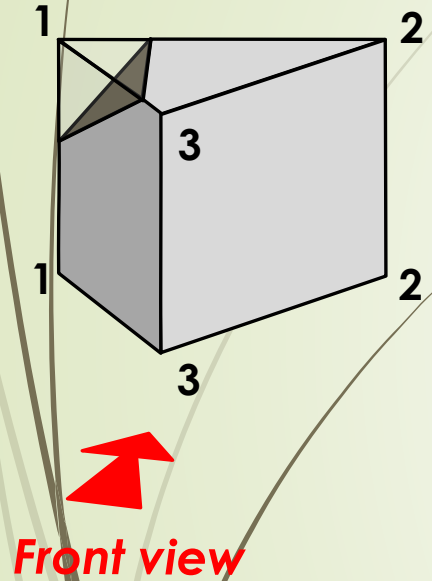
Sectioning through a right solid



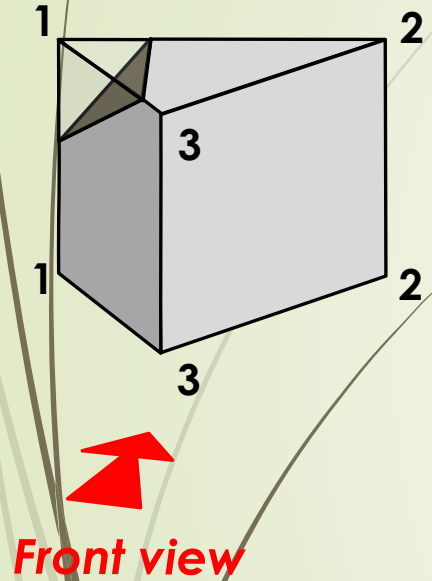
Sectioning through a right solid



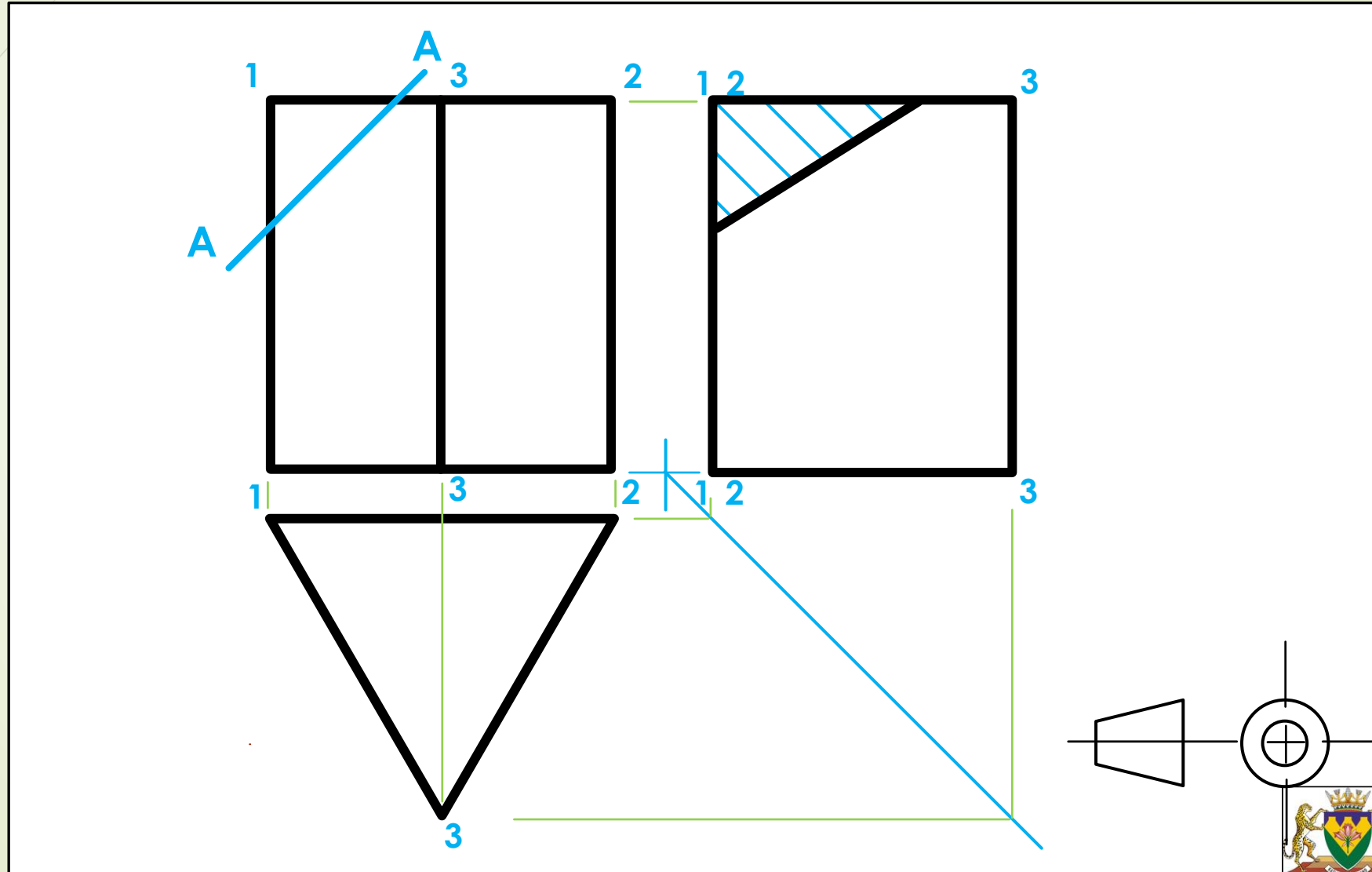
Sectioning through a right solid



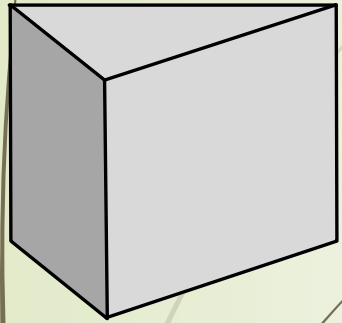
Sectioning through a right solid



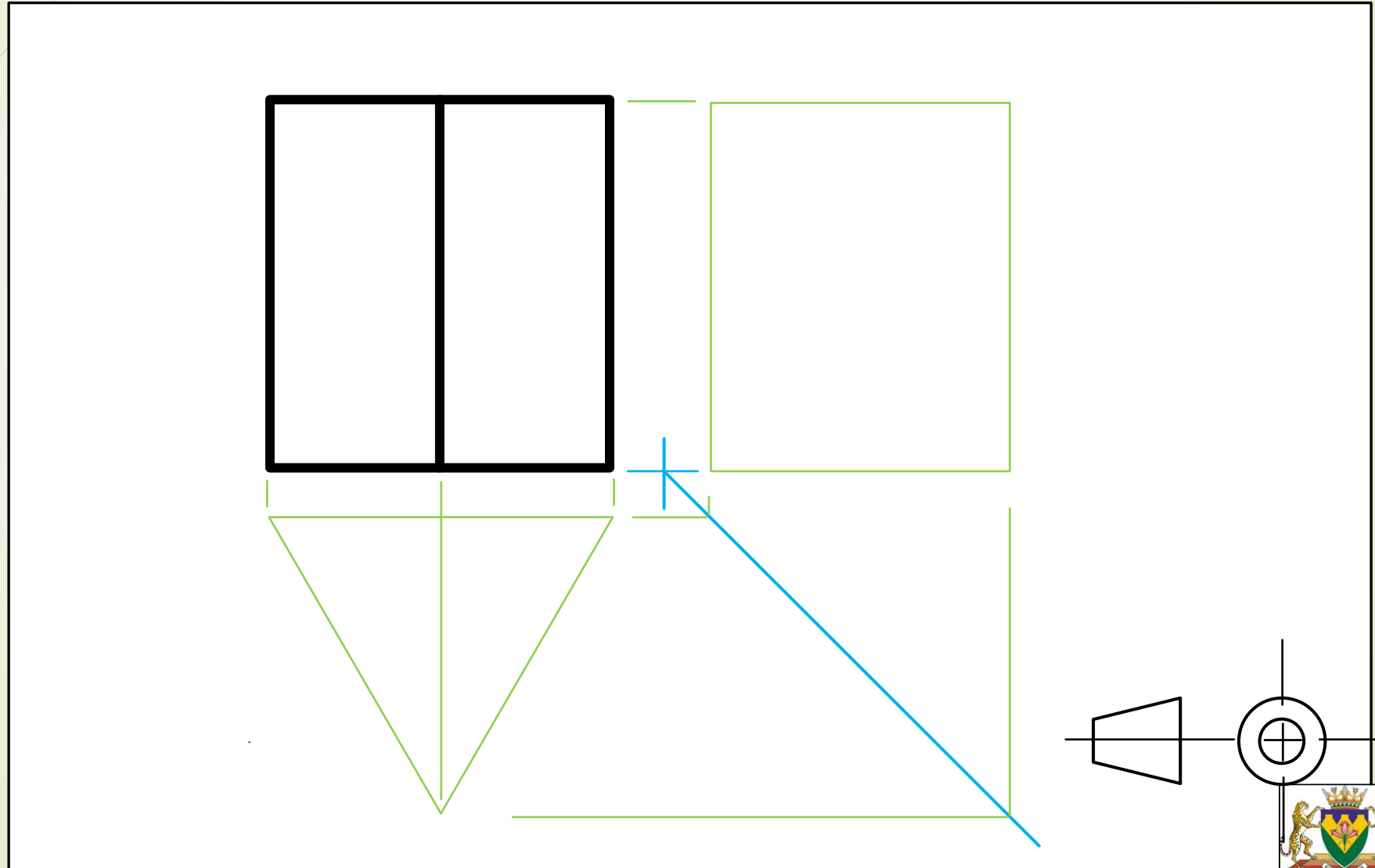
Front view



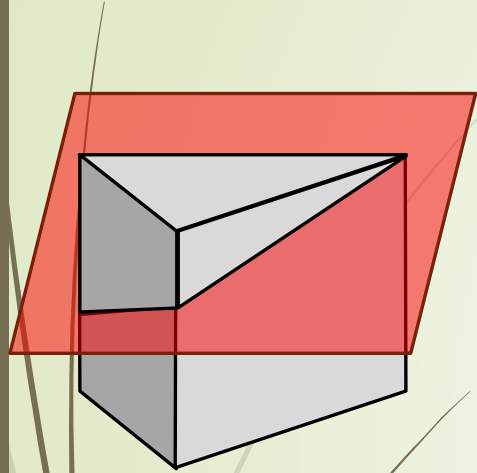
Sectioning through a right solid



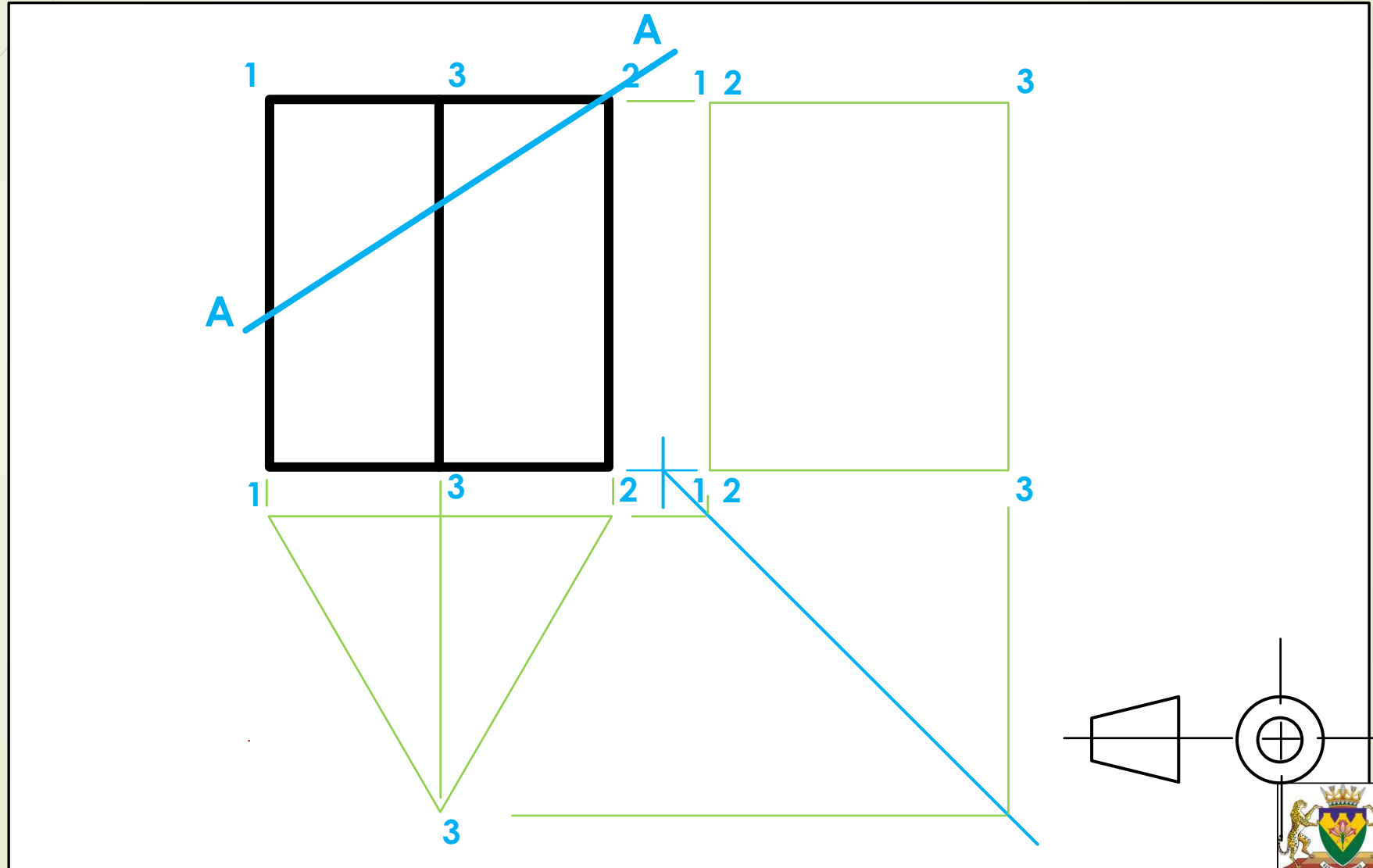

Front view



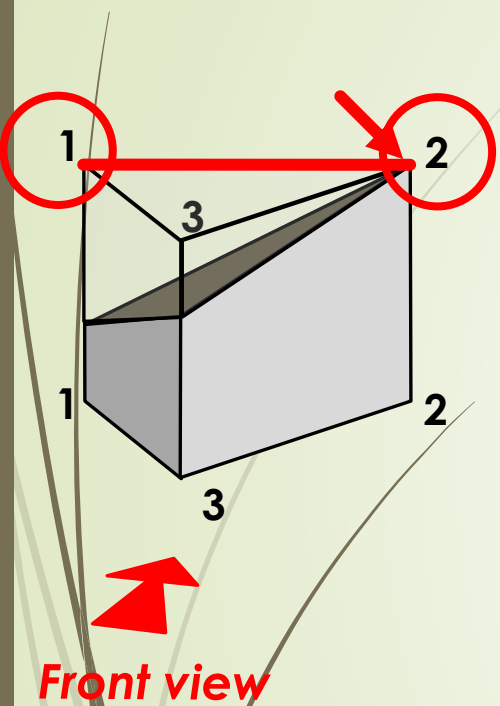
Sectioning through a right solid



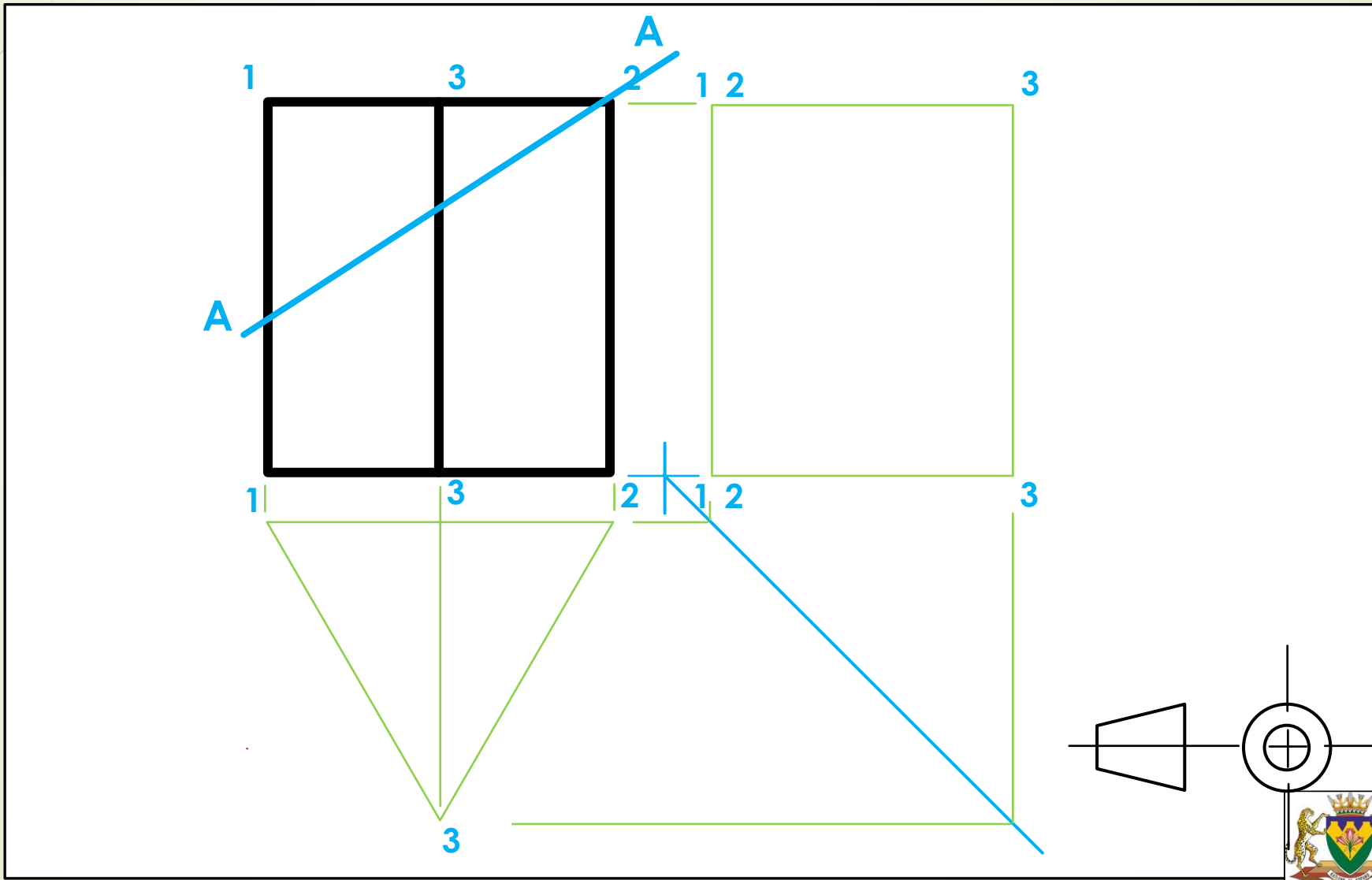
Front view



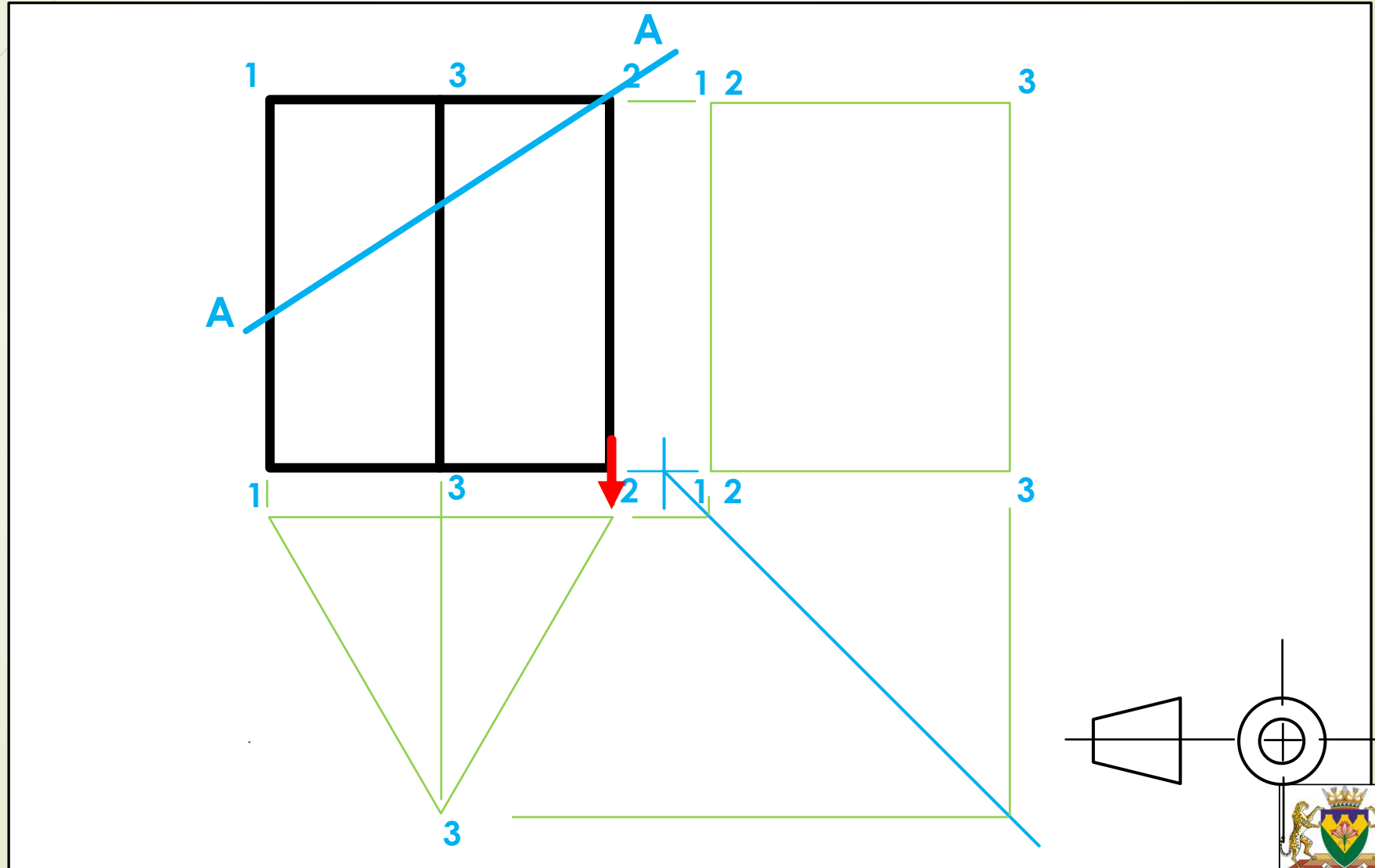
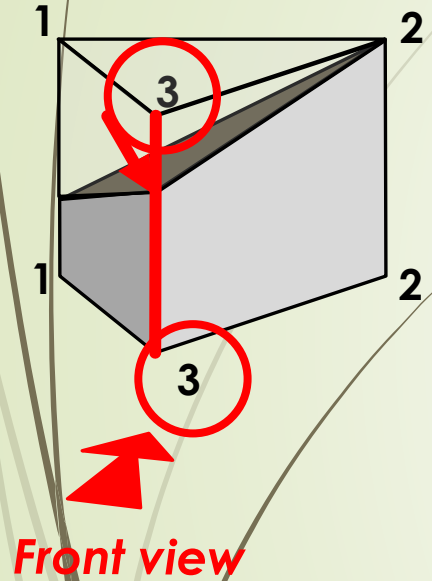
Sectioning through a right solid



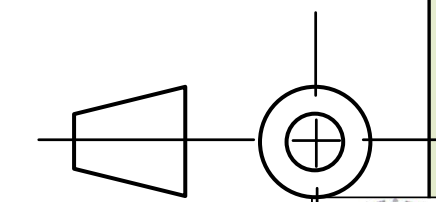
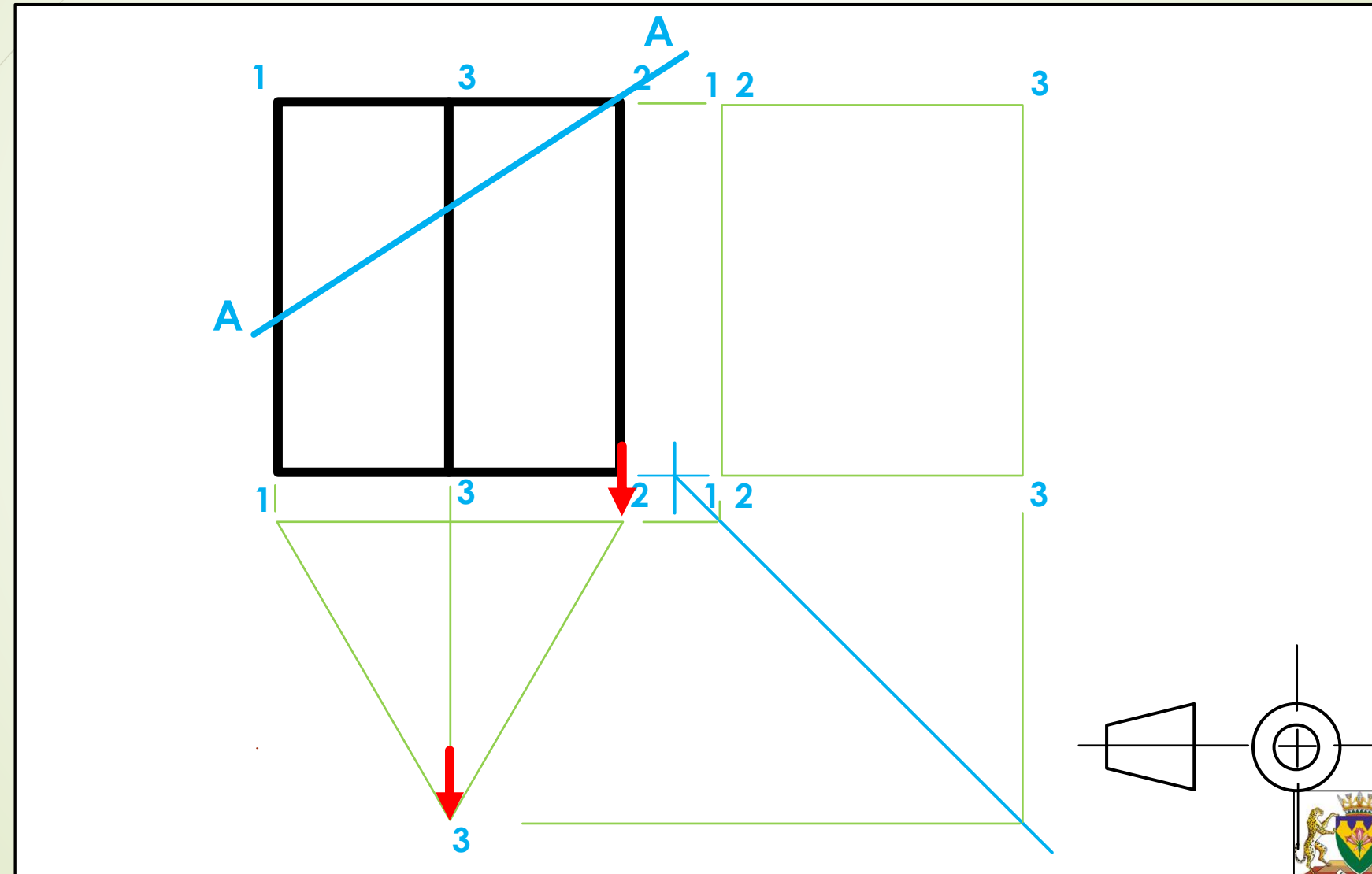
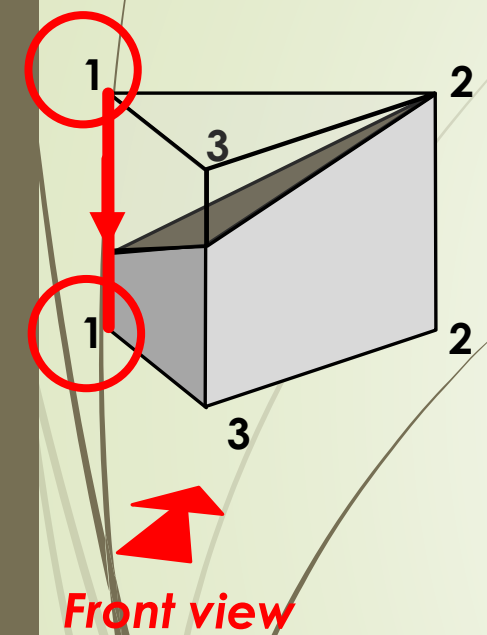
Front view



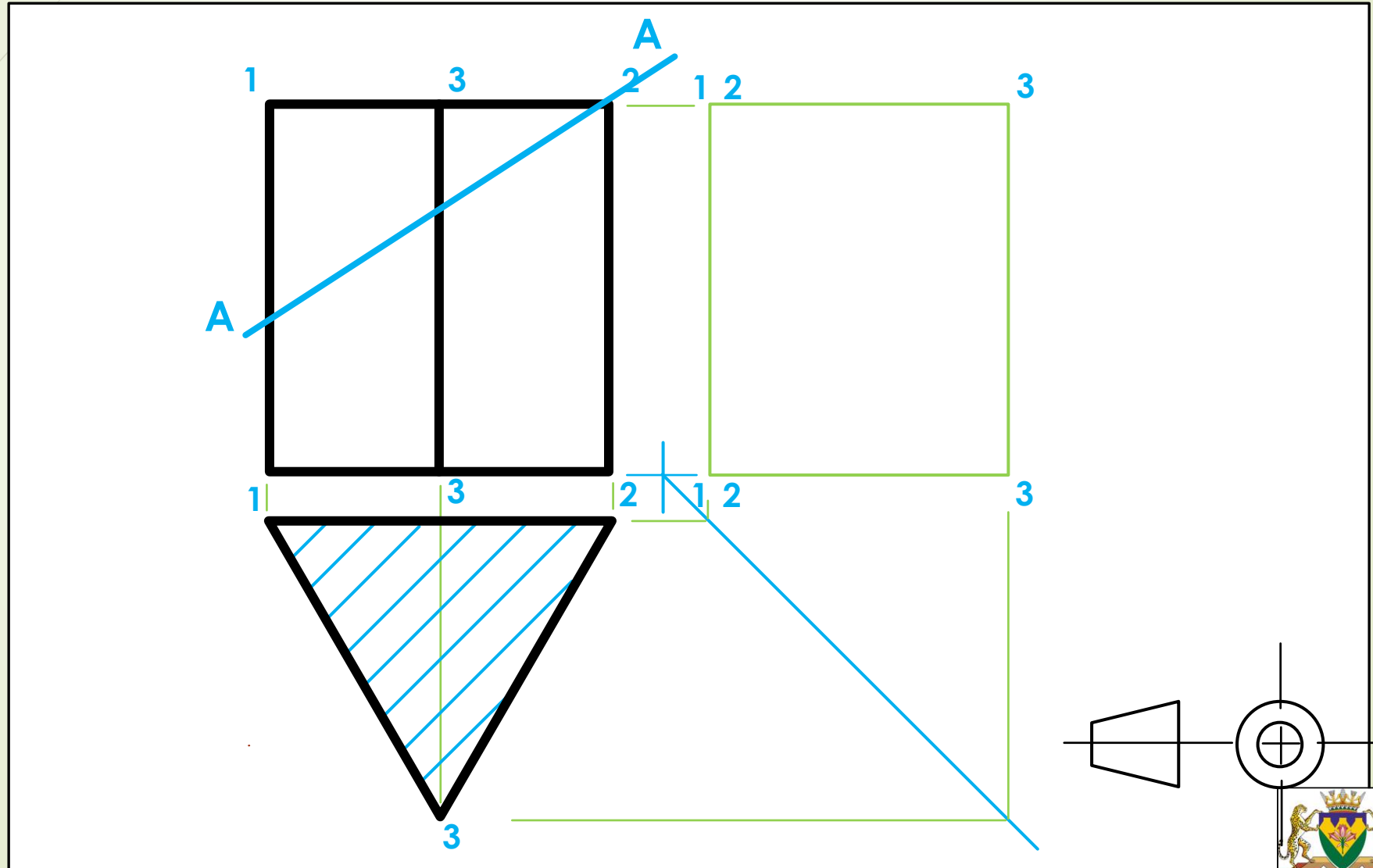
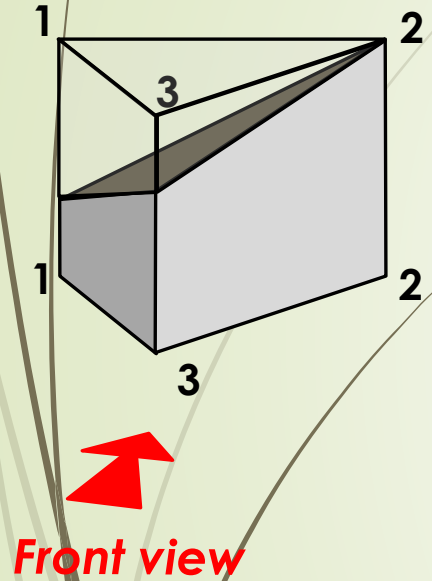
Sectioning through a right solid



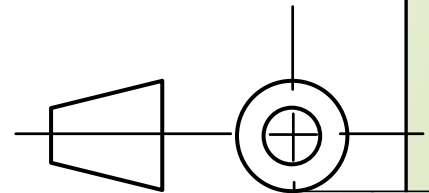
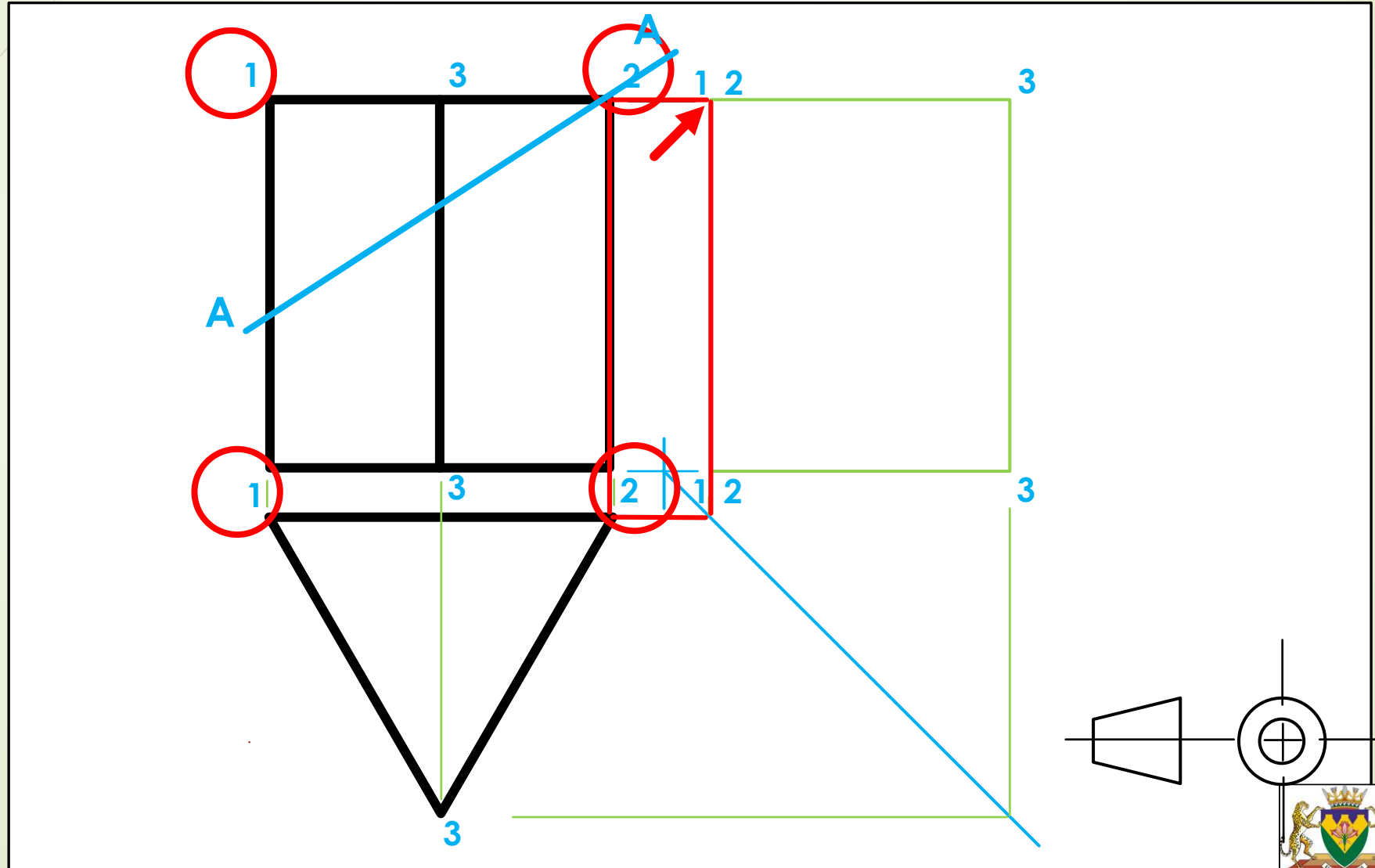
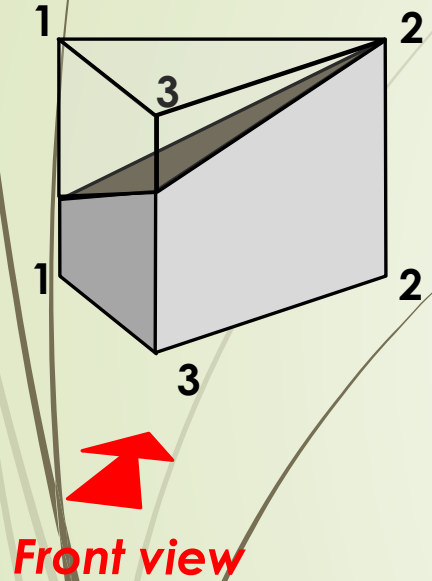
Sectioning through a right solid



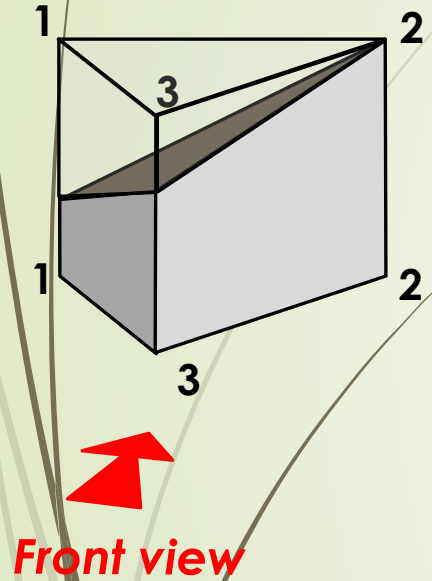
Sectioning through a right solid



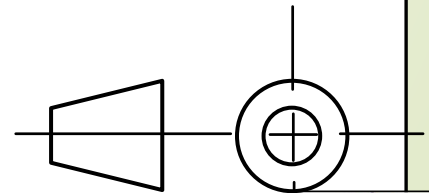
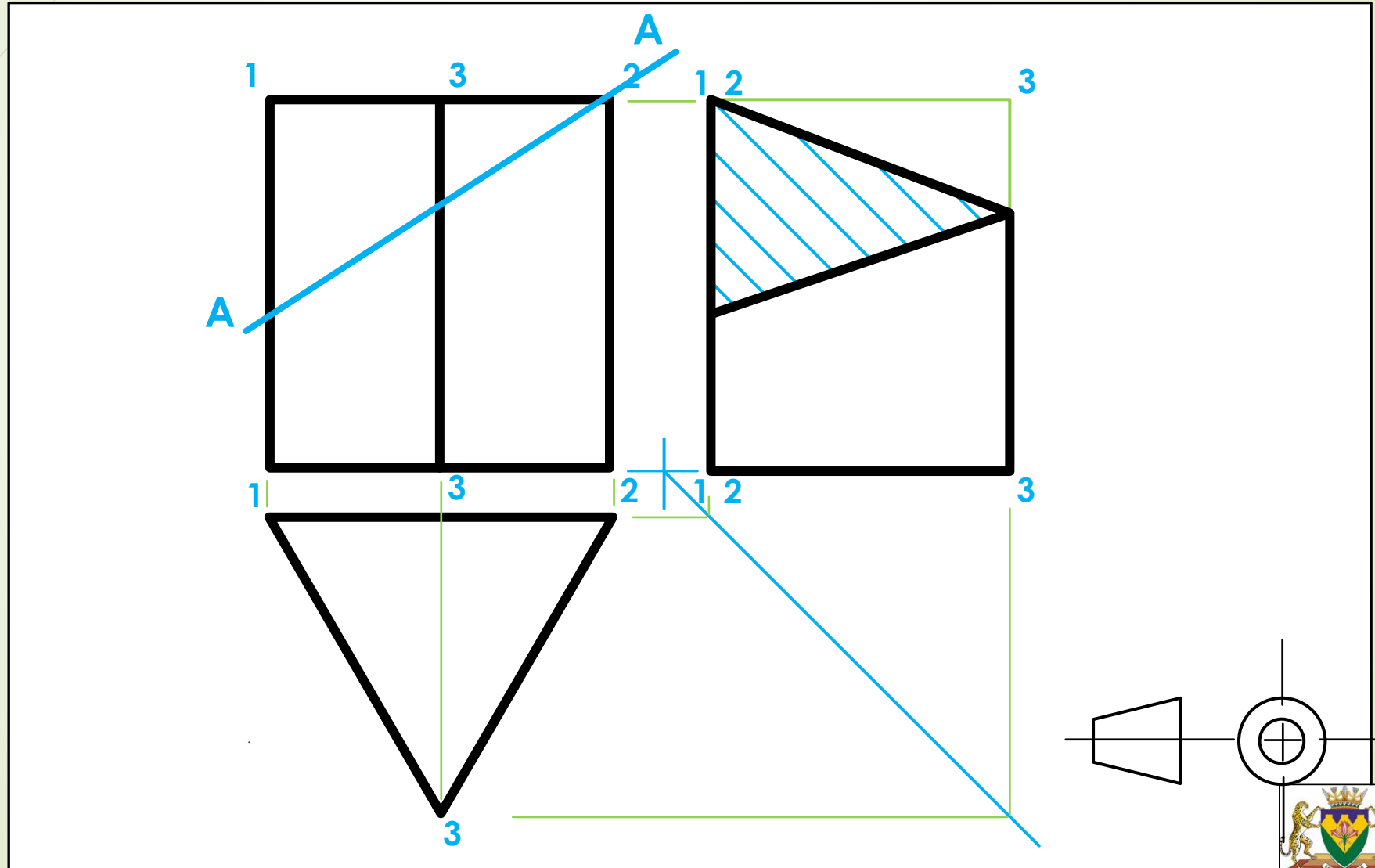
Sectioning through a right solid



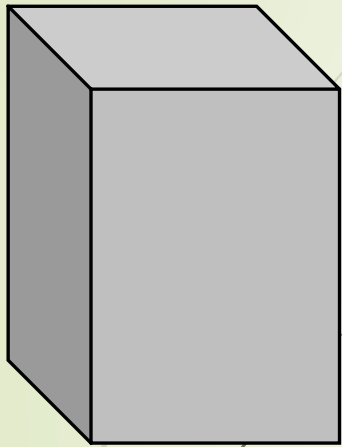
Sectioning through a right solid



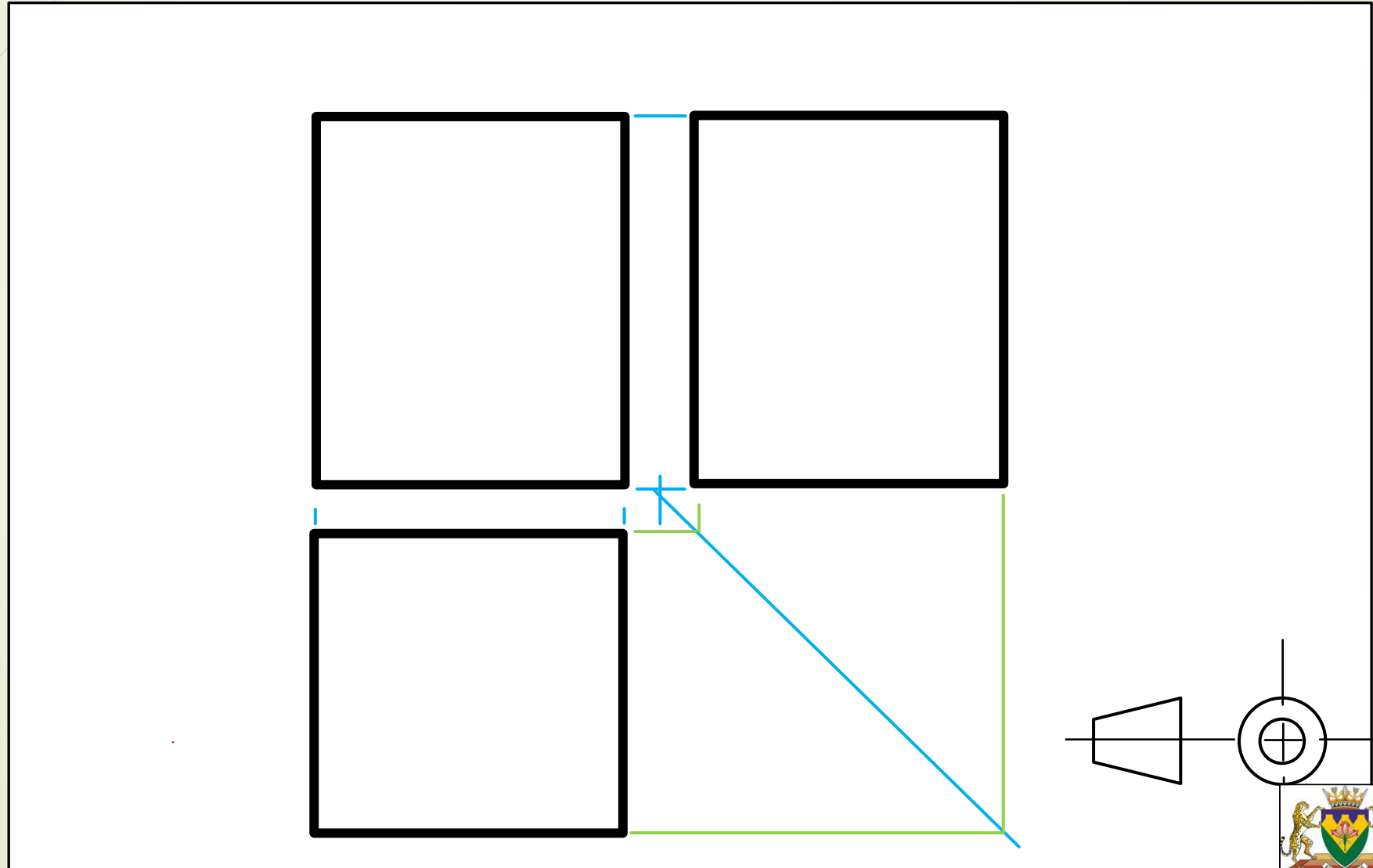
Front view



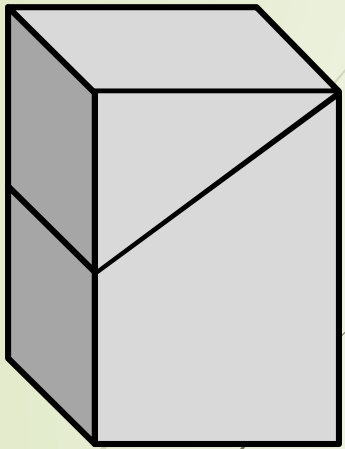
Sectioning through a right solid



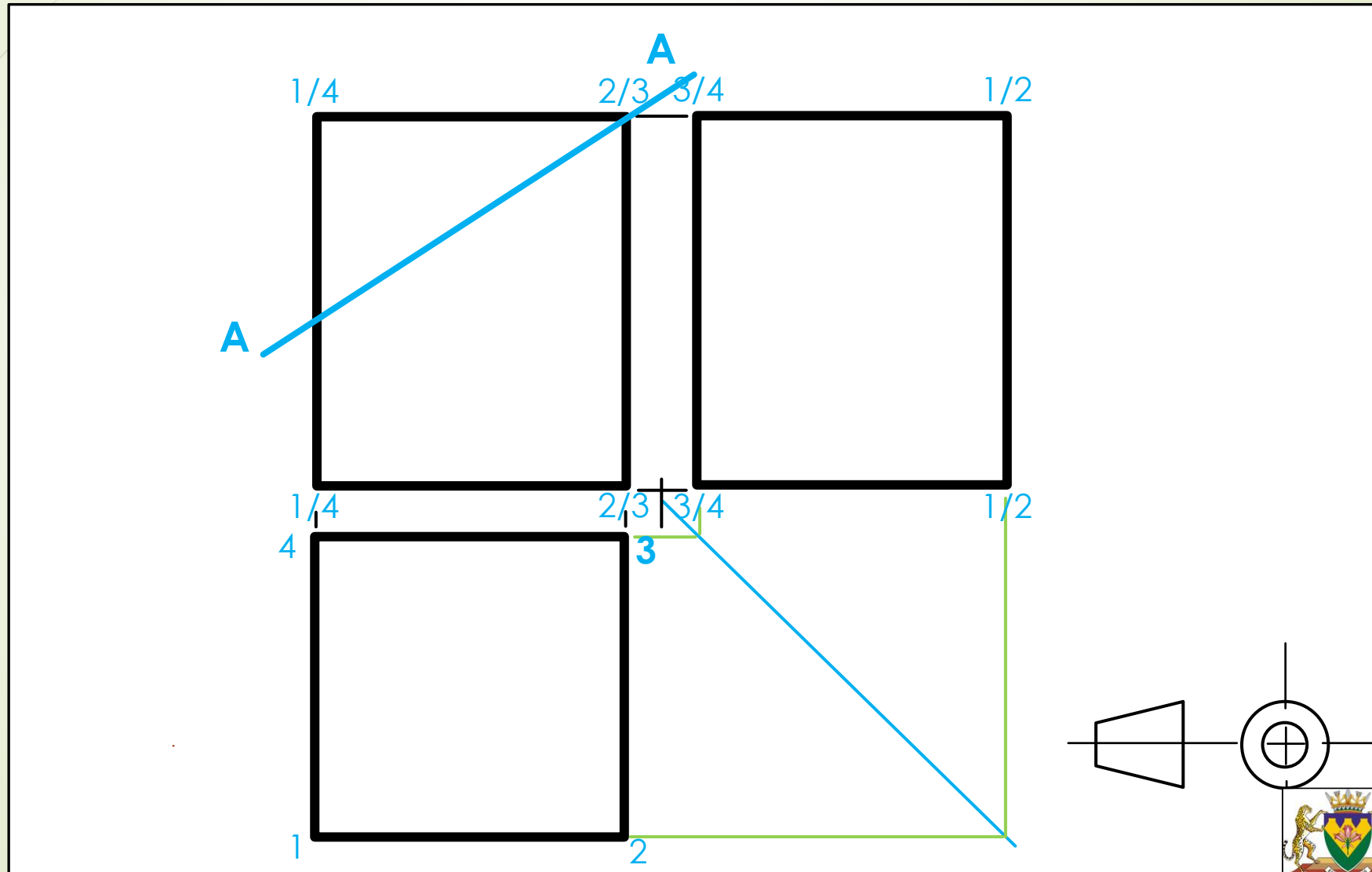
Front view



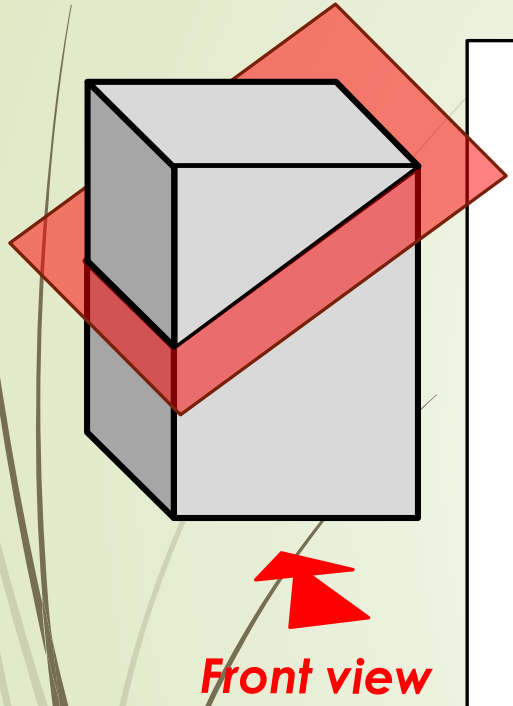
Sectioning through a right solid



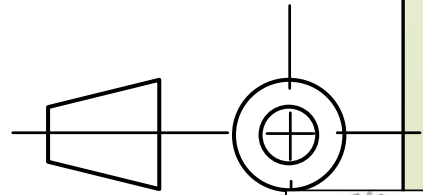
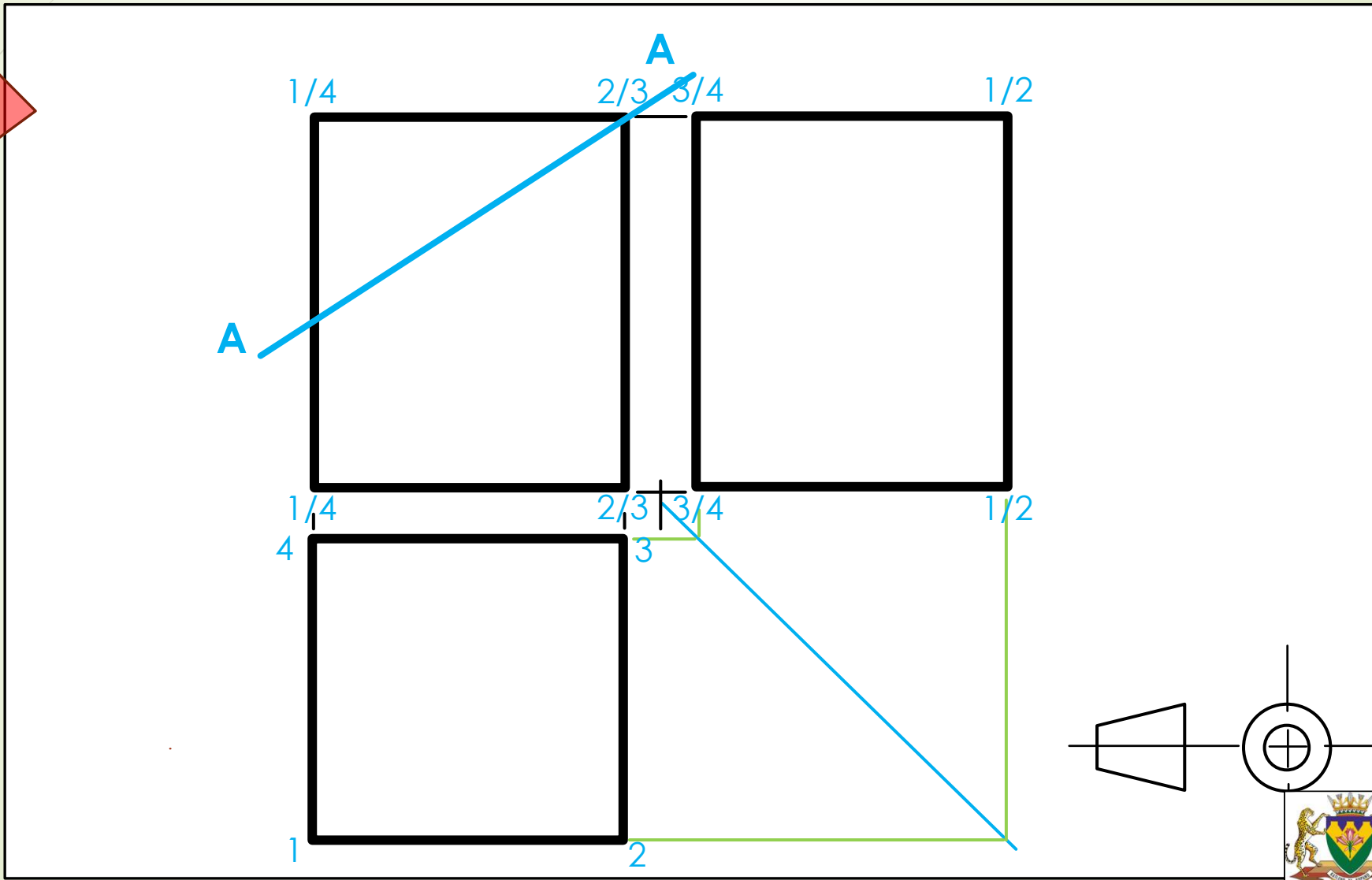

Front view



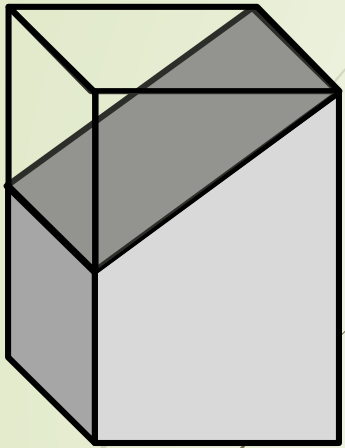
Sectioning through a right solid



Front view



Sectioning through a right solid



Front view

