



# Application on polygons

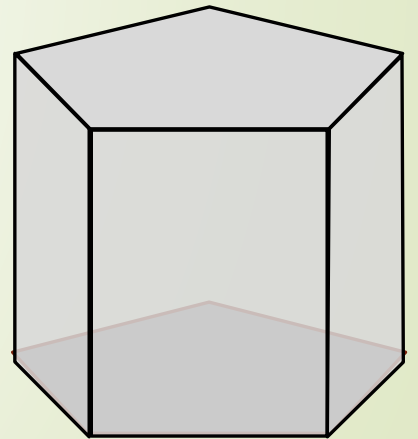
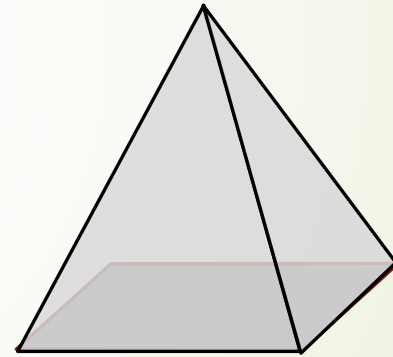
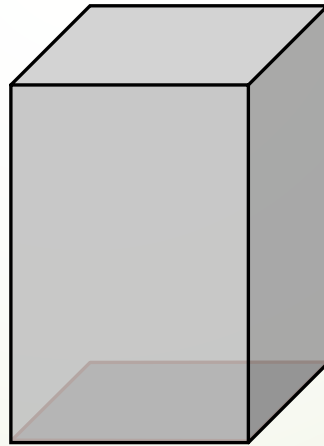
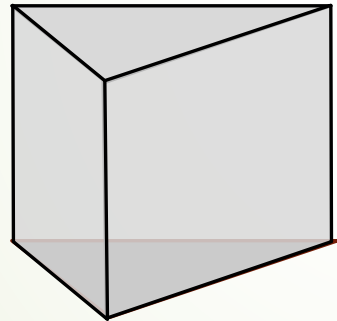
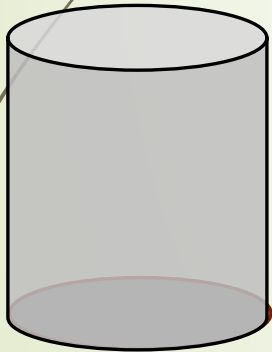
## True Shape – Inclined Sectioning

Grade 10, 11 & 12

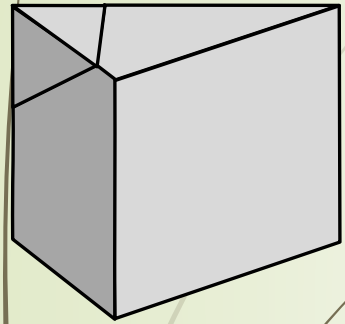
Developed by: PC Viljoen  
Senior Educational Specialist for  
Engineering Graphics and Design  
Free State Province

# SOLID GEOMETRY

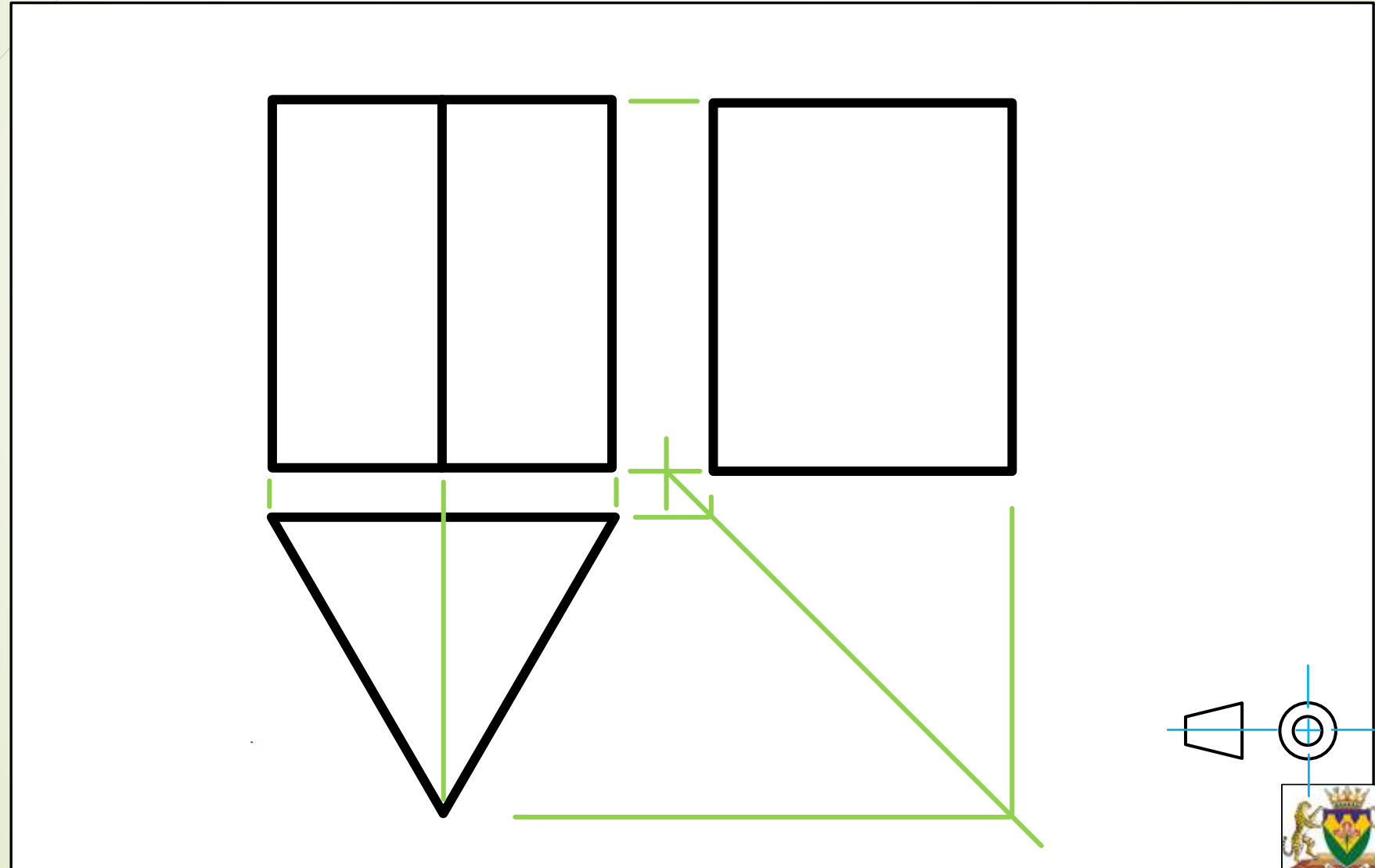
- Projecting right regular pyramids, prisms, cones and cylinders from polygons.



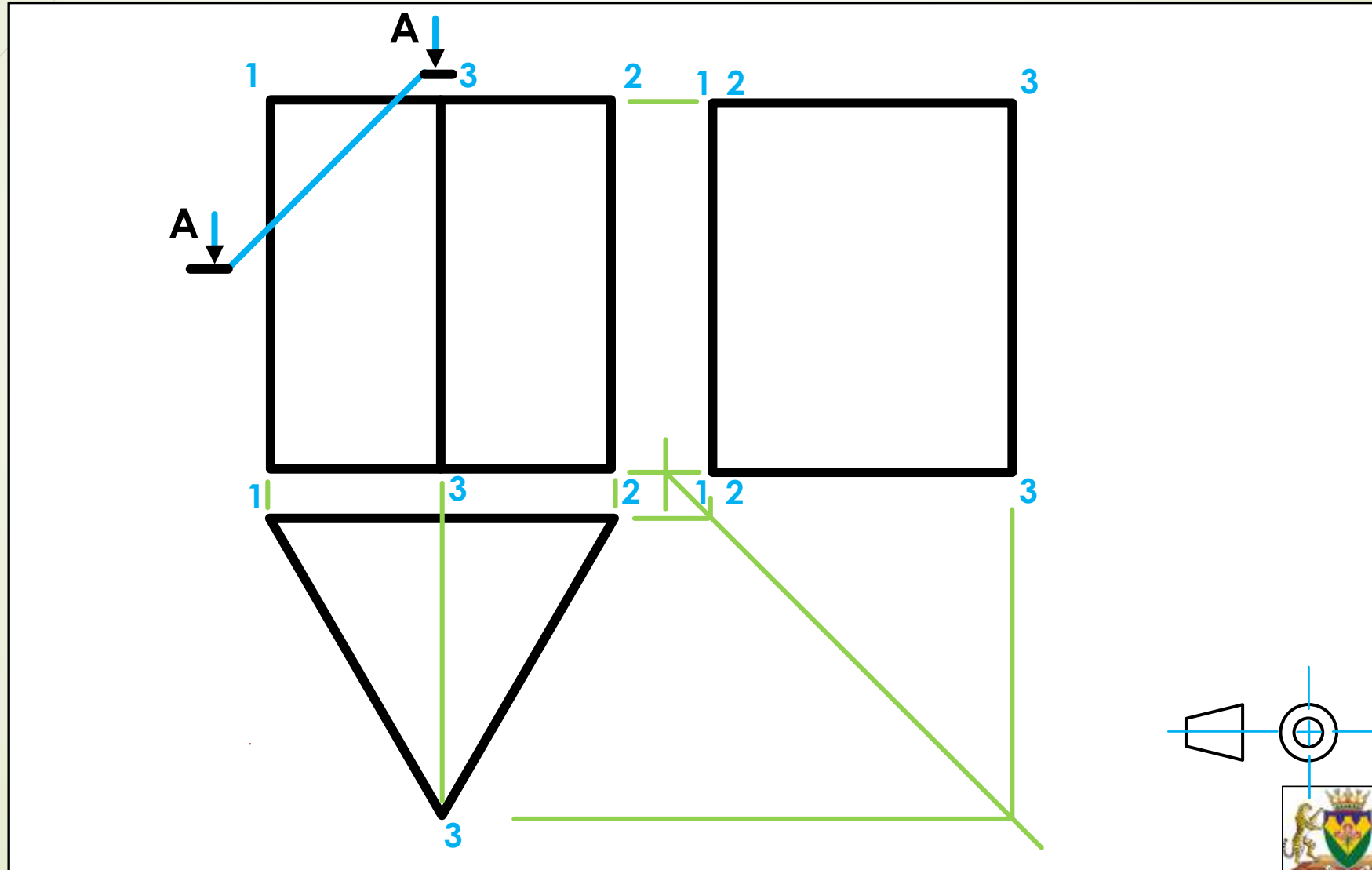
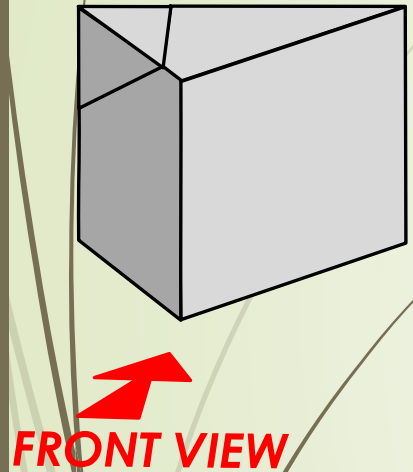
# Sectioning through a right solid



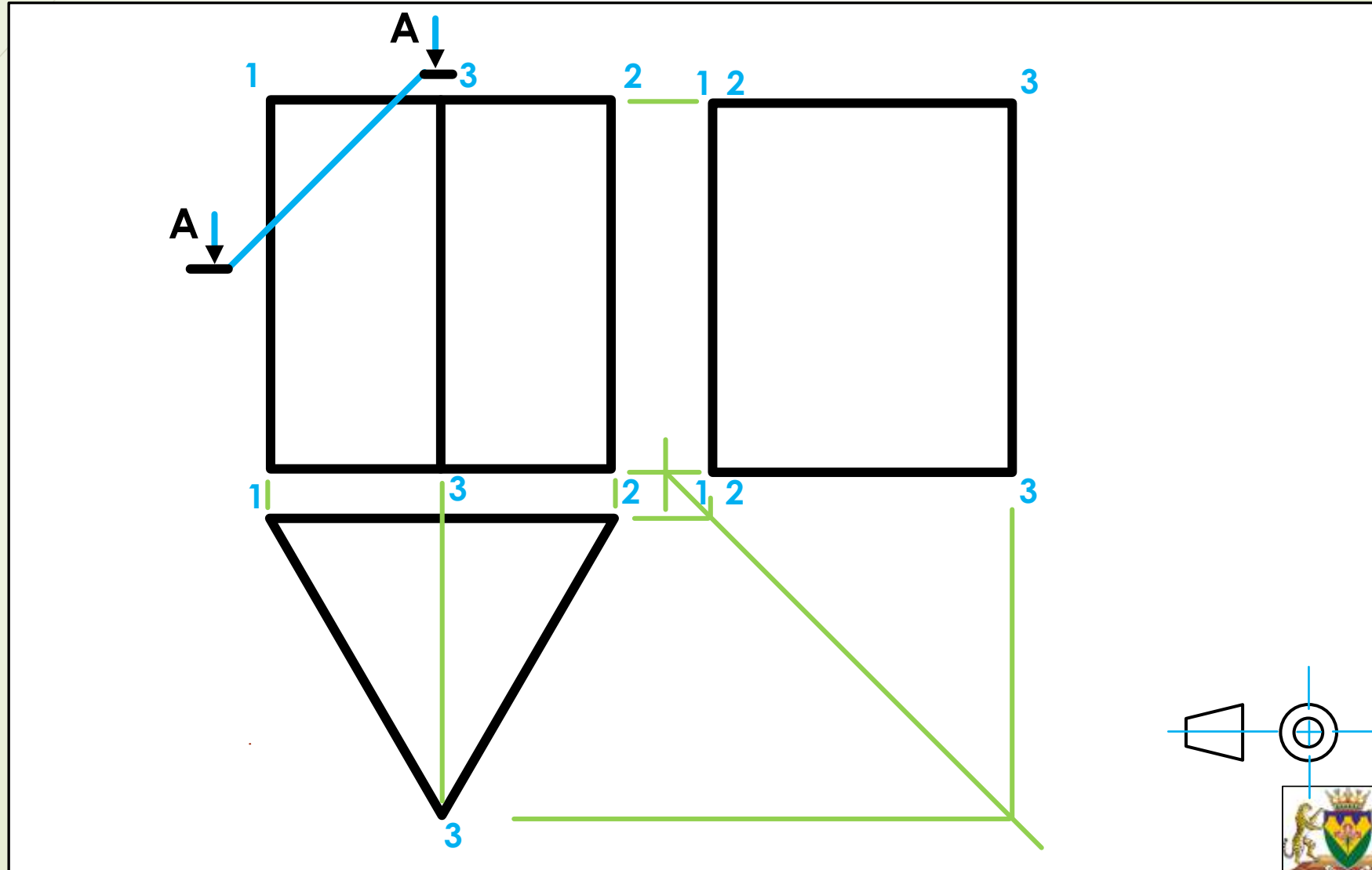
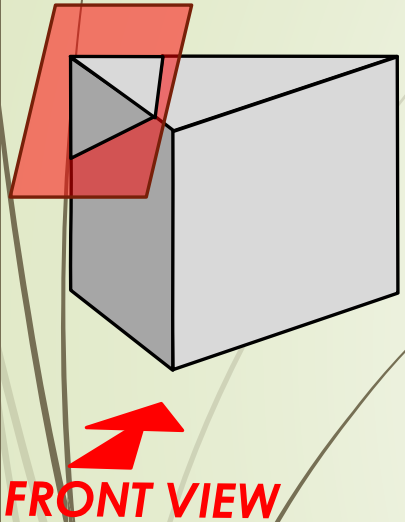
  
**FRONT VIEW**



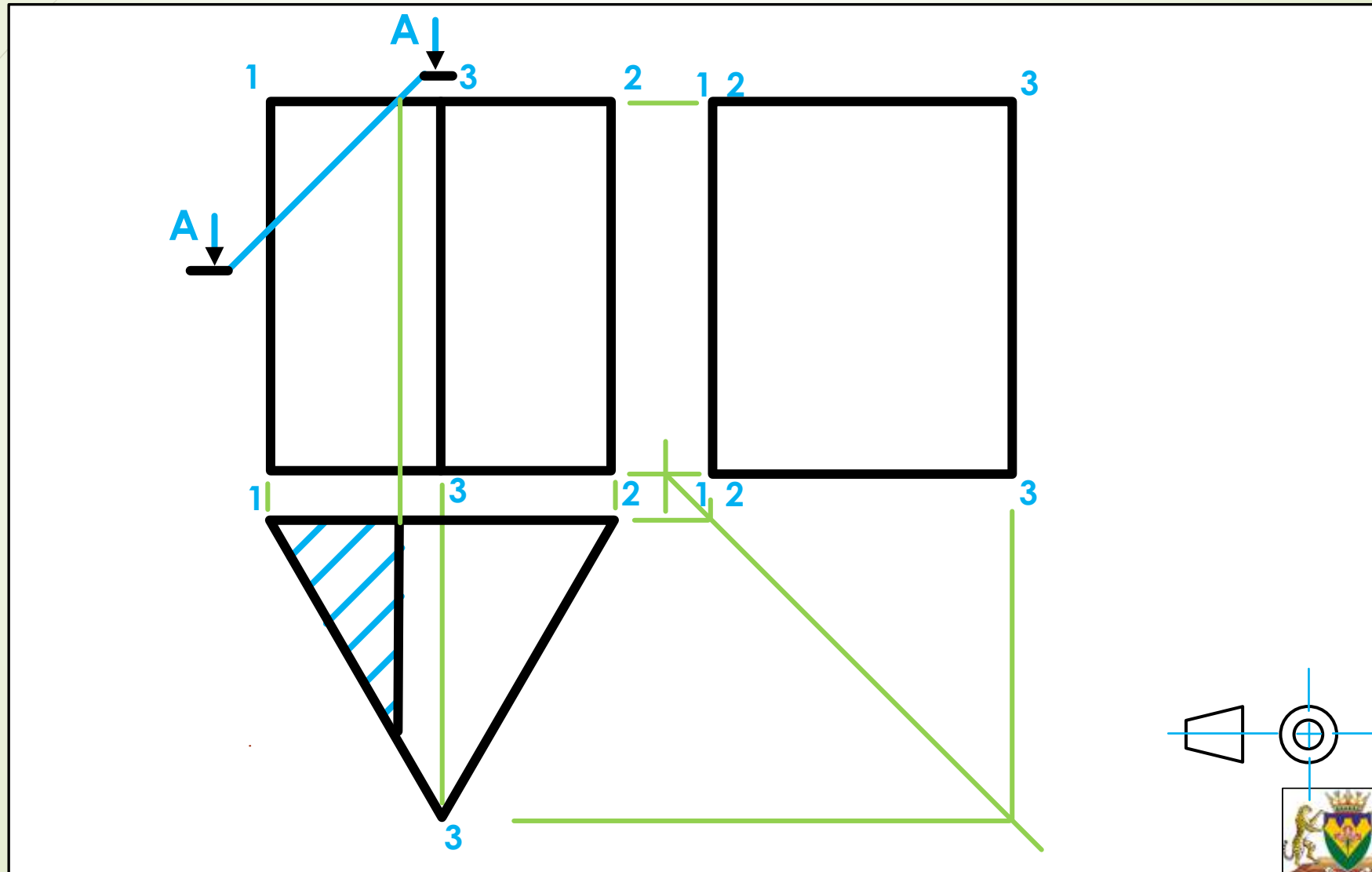
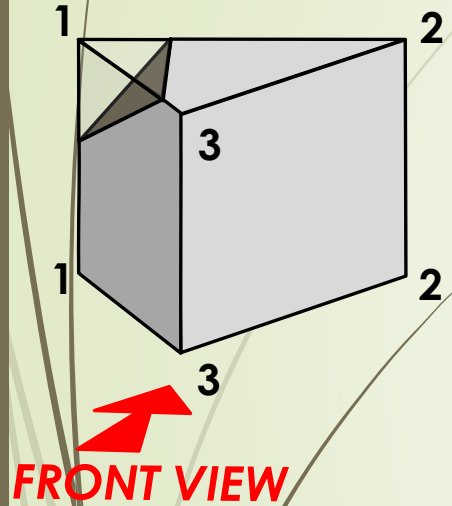
# Sectioning through a right solid



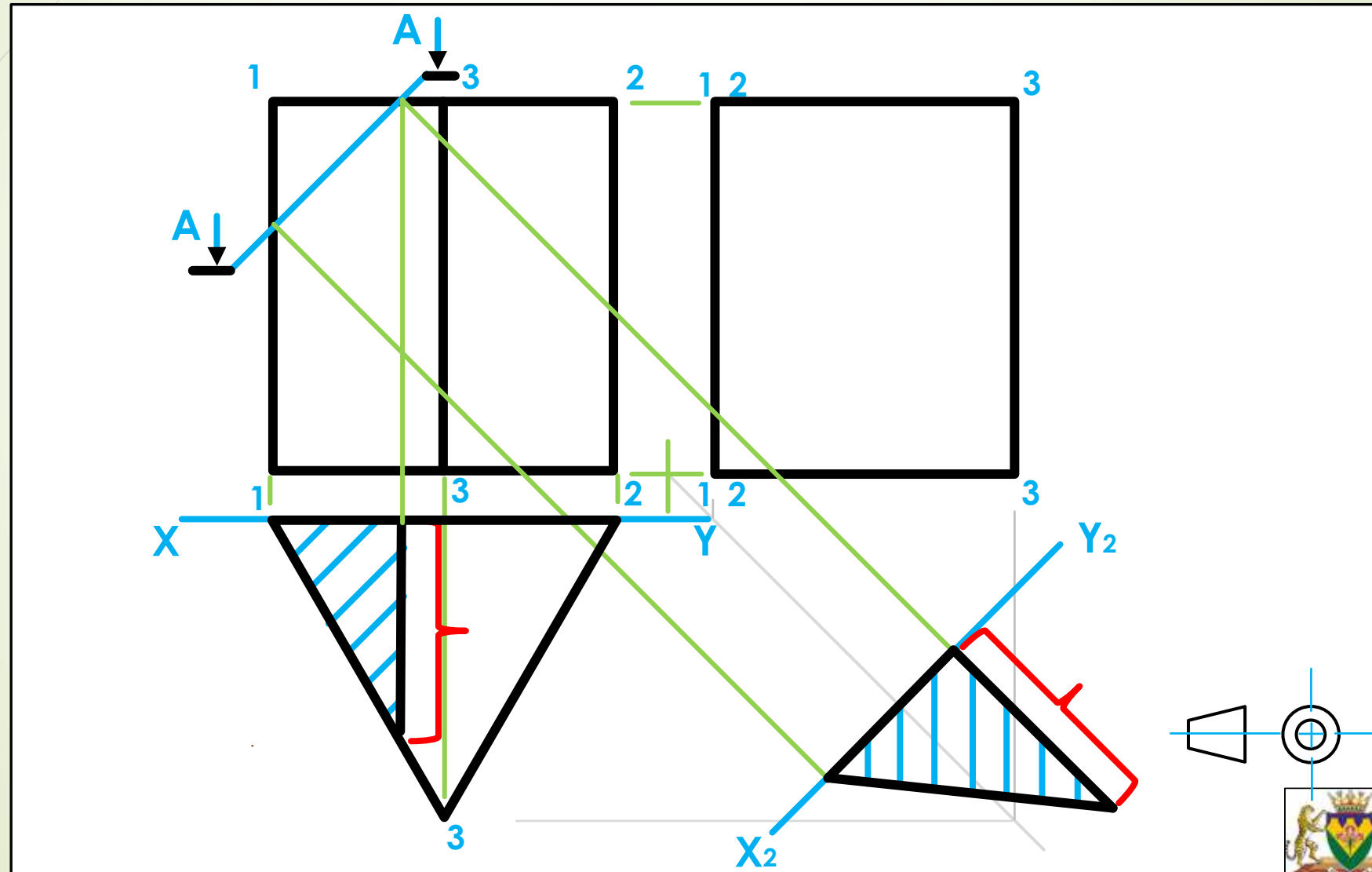
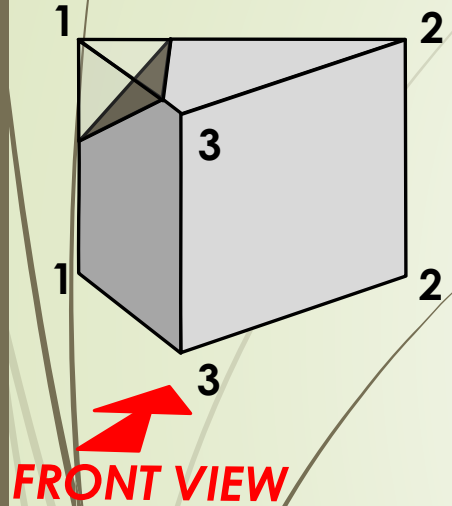
# Sectioning through a right solid



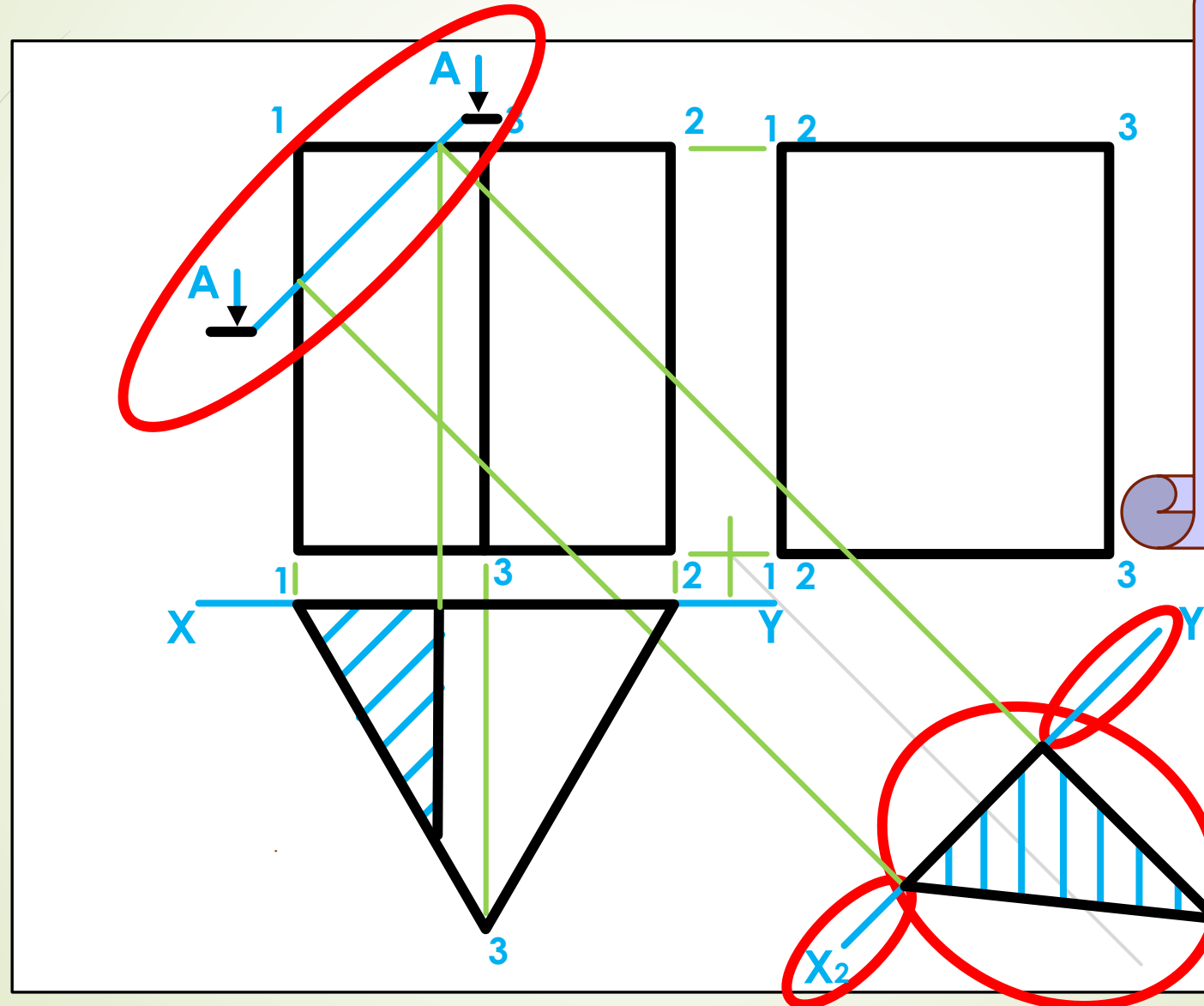
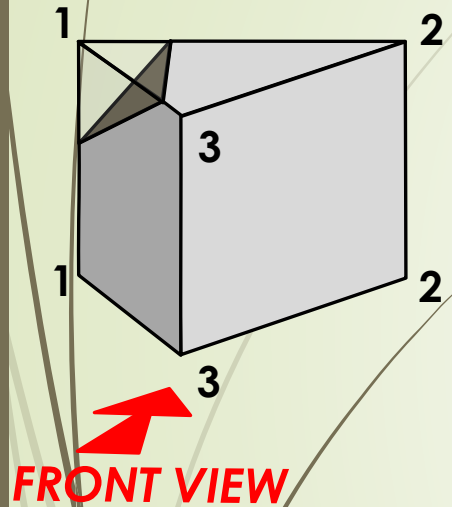
# Sectioning through a right solid



# True shape of the sectioned area

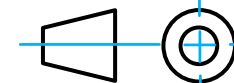


# True shape of the sectioned area

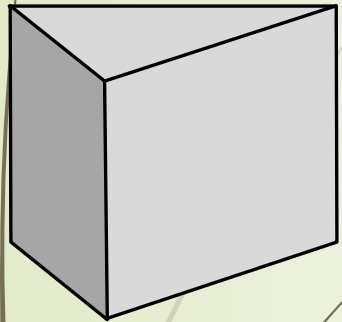


If the XY is drawn parallel with the cutting plane, the sectioned area will be the true shape

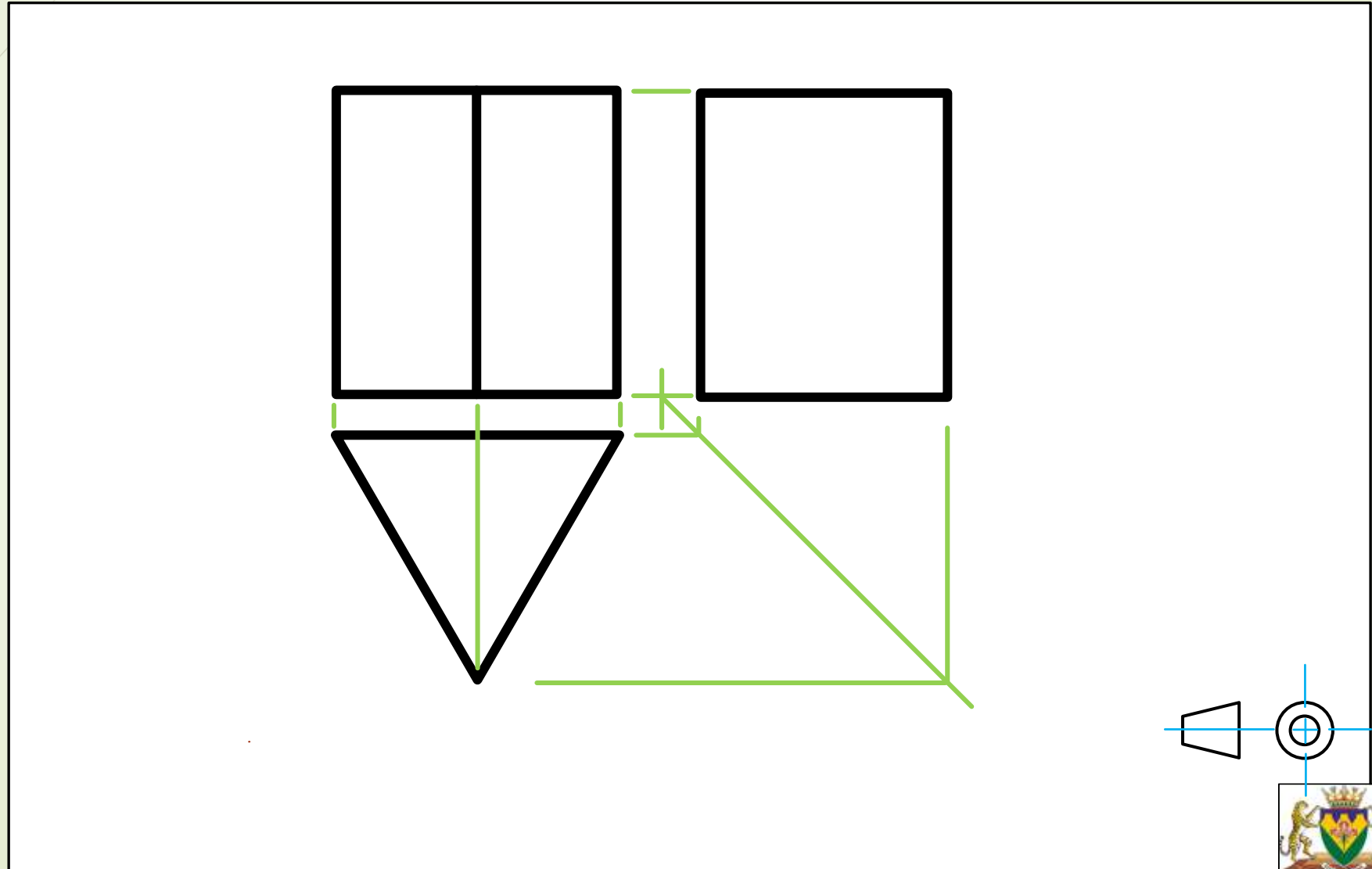
**True Shape**



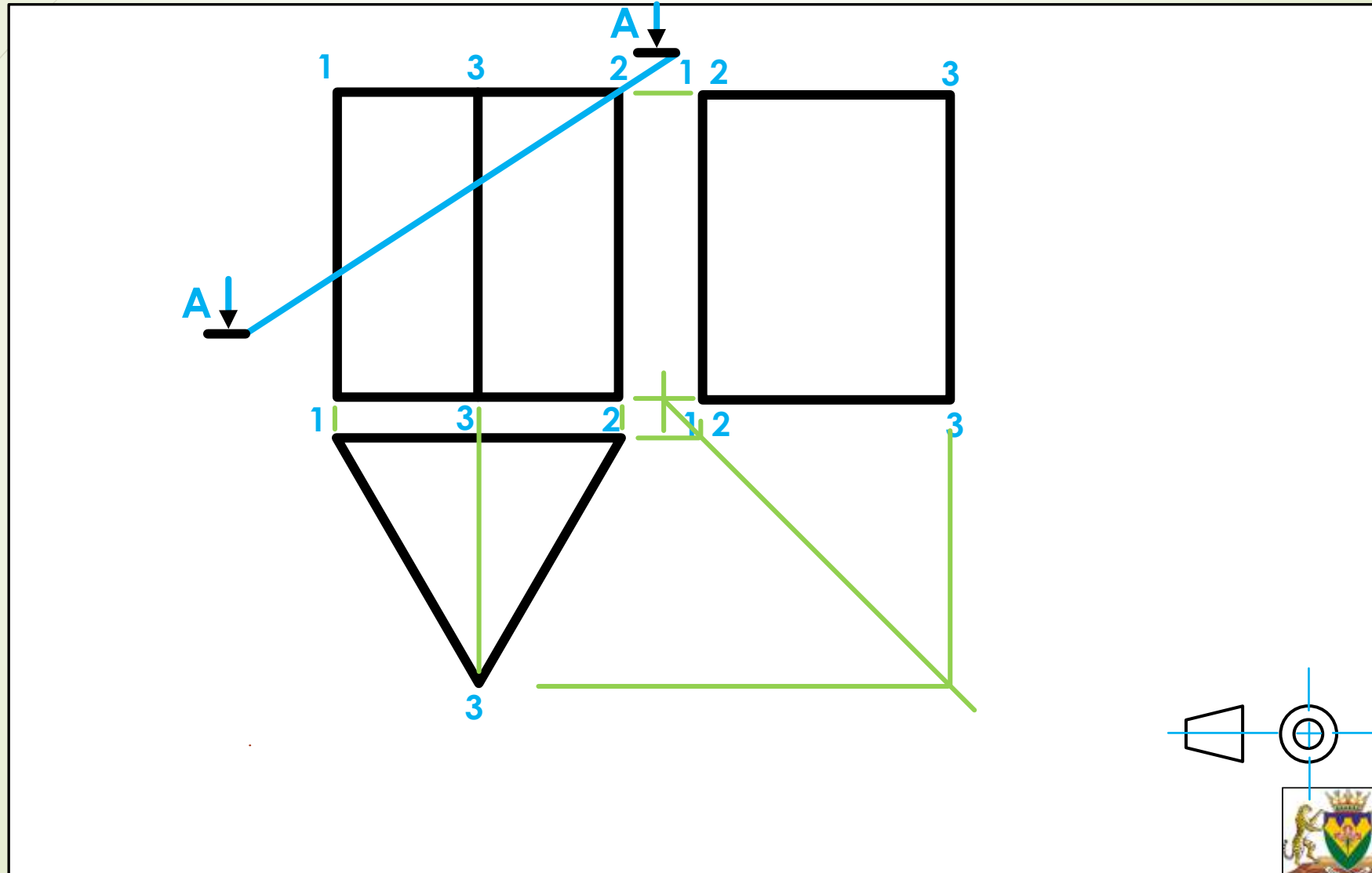
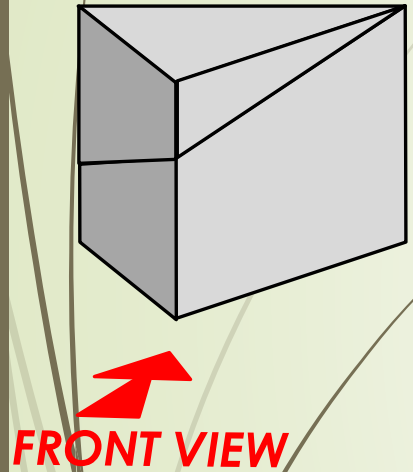
# Sectioning through a right solid



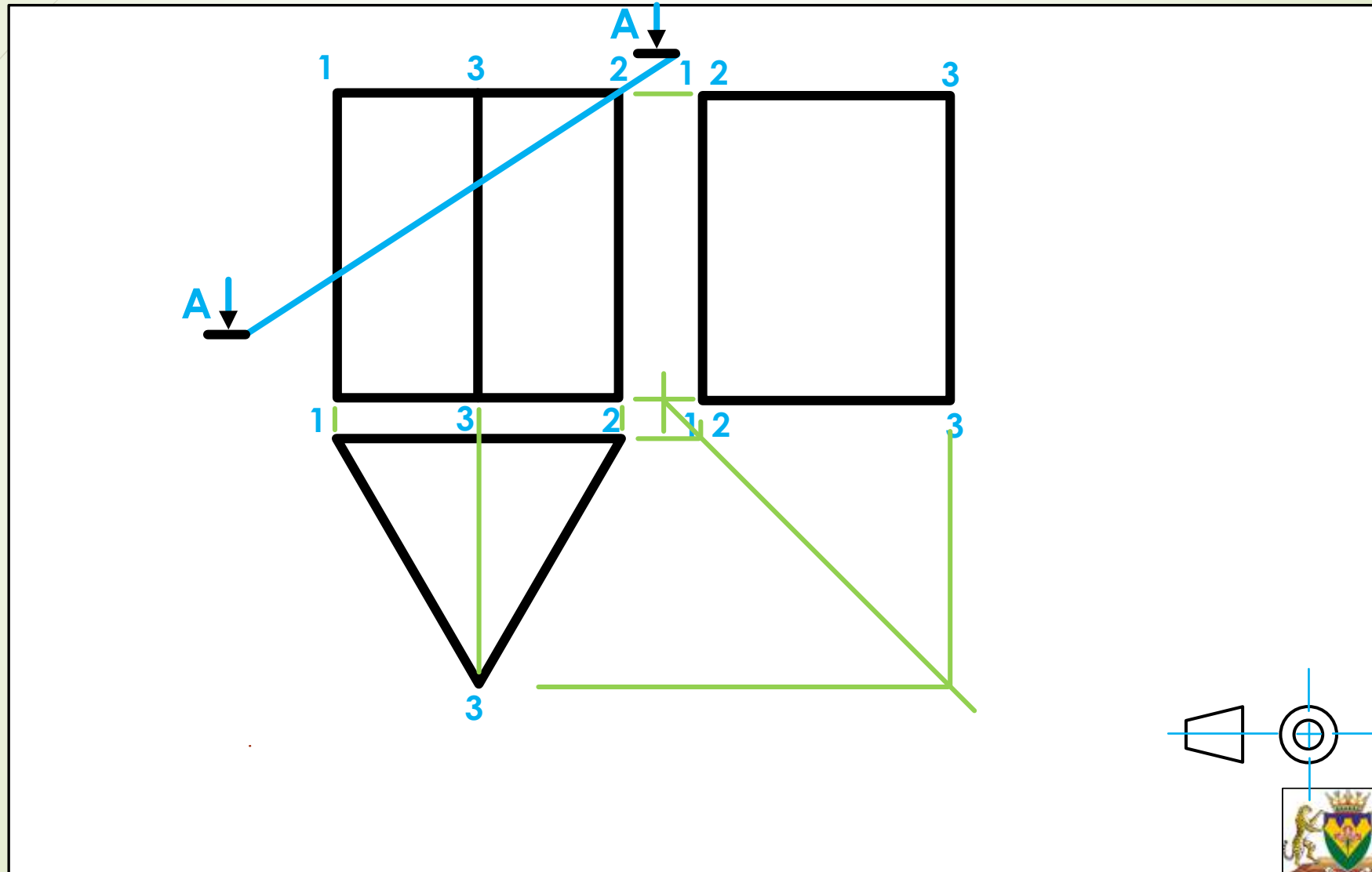
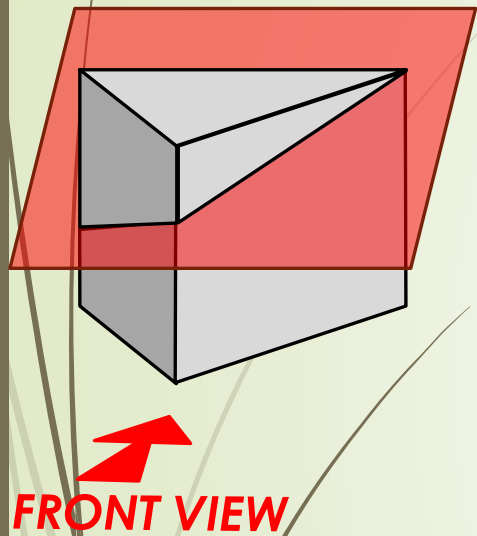
  
**FRONT VIEW**



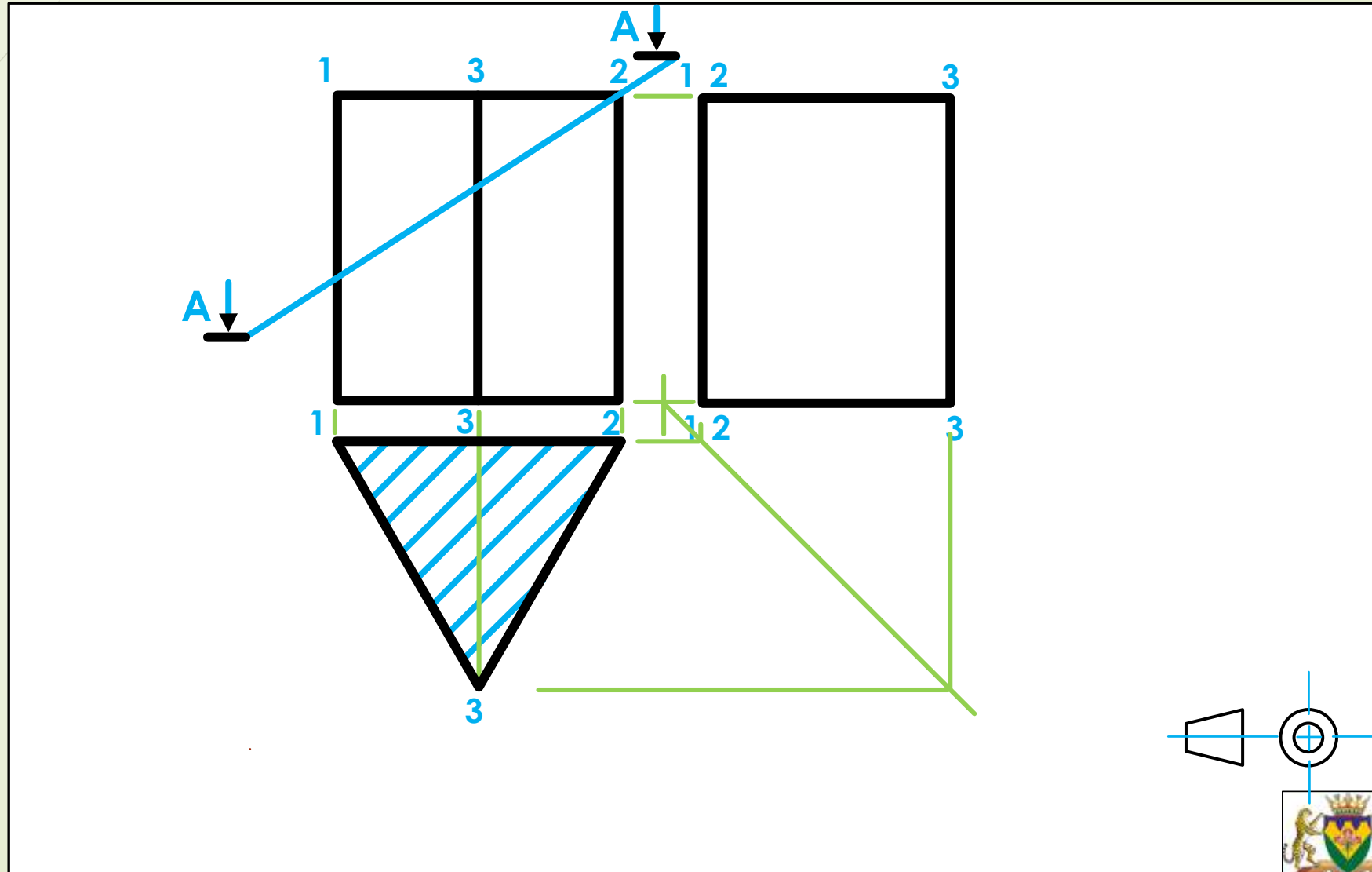
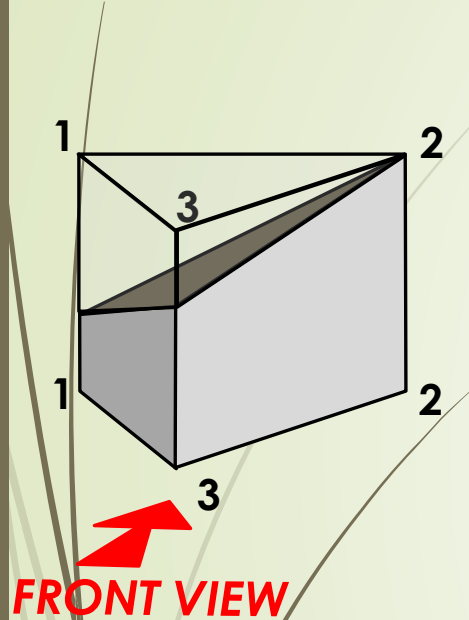
# Sectioning through a right solid



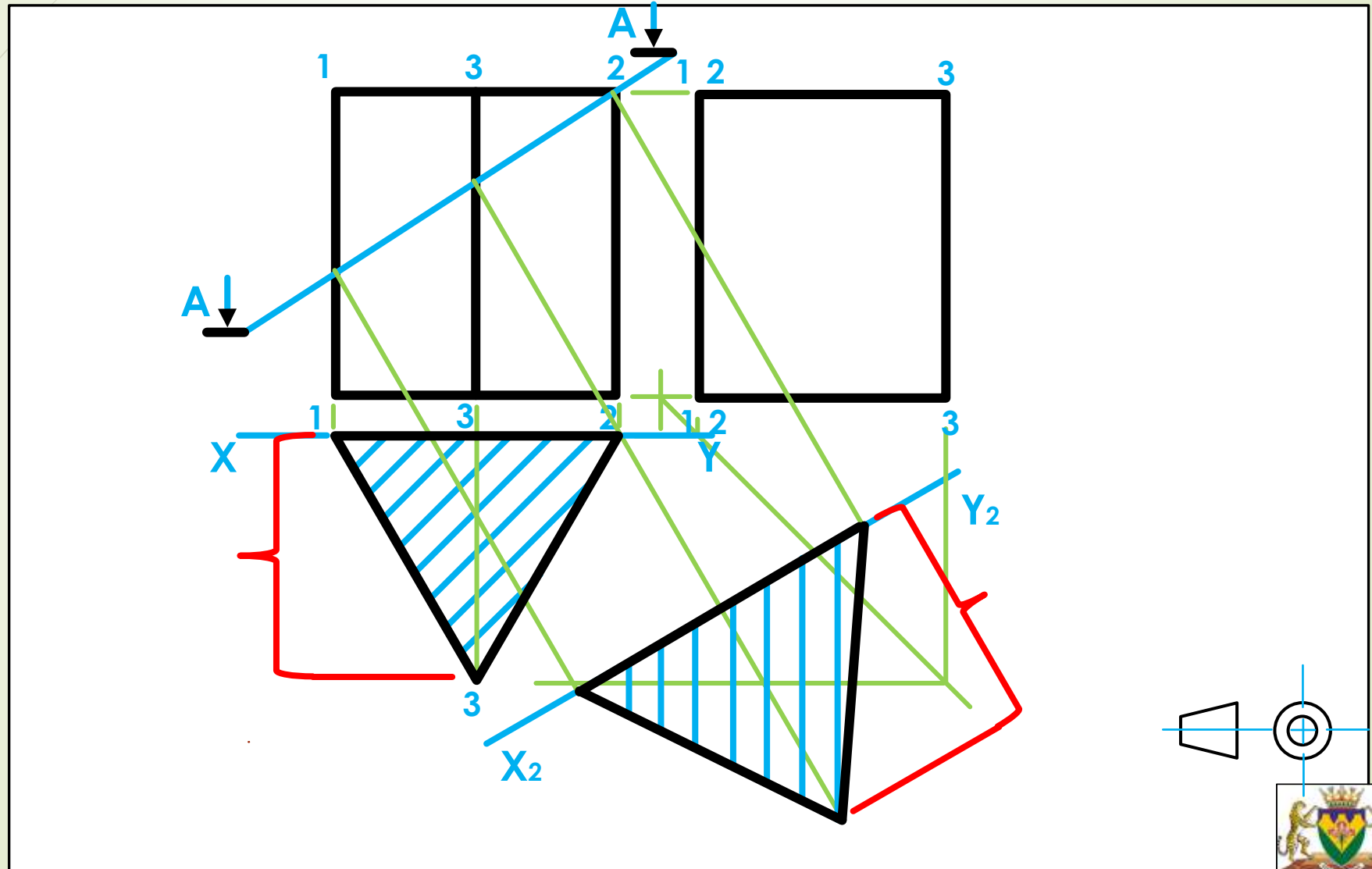
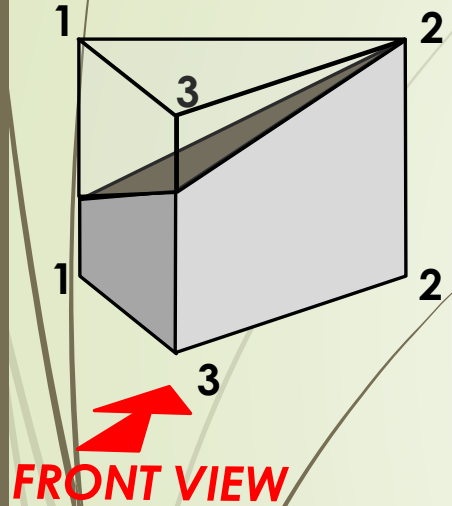
# Sectioning through a right solid



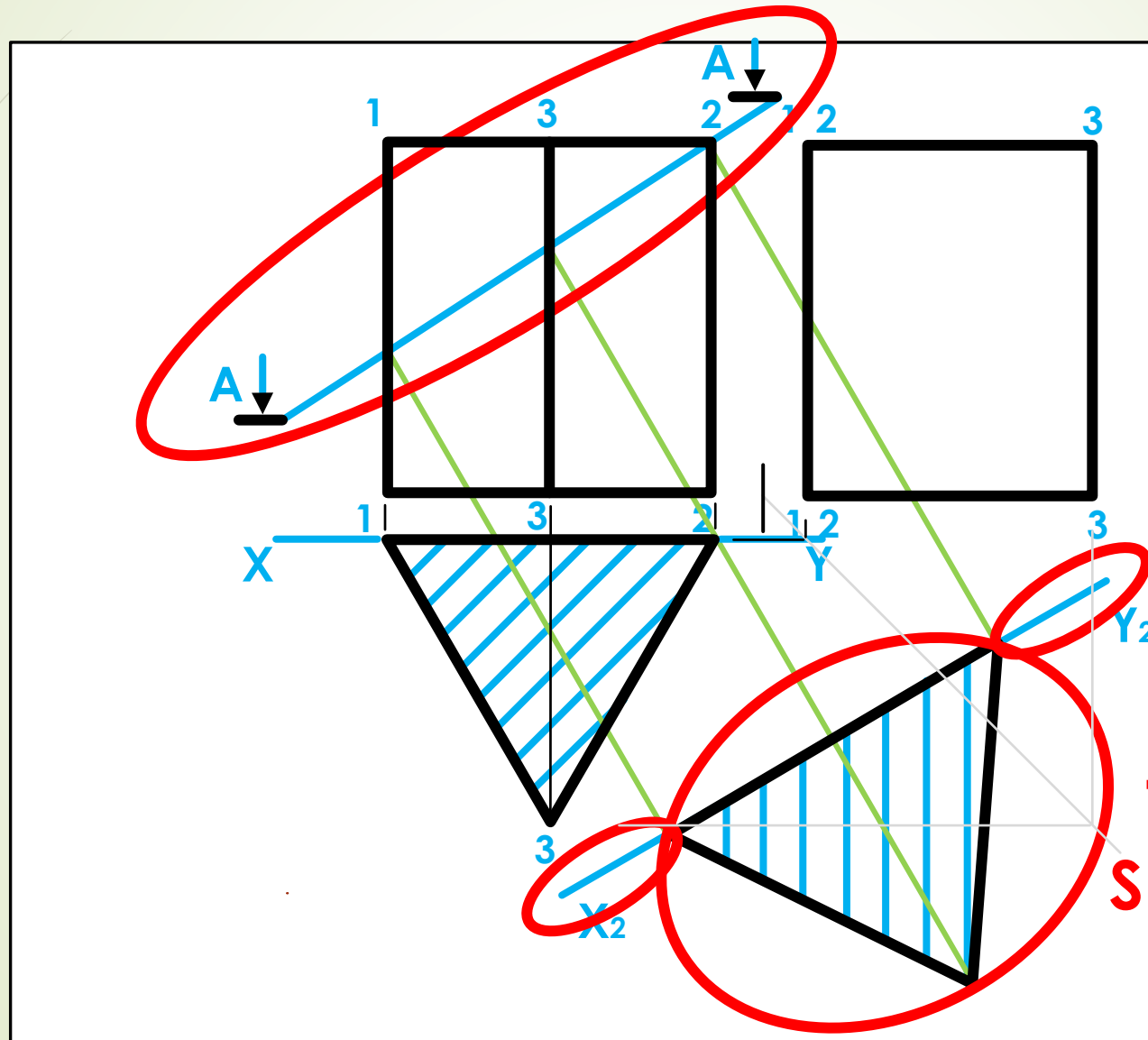
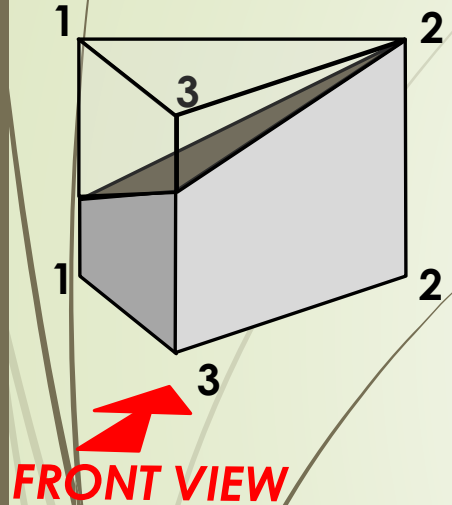
# Sectioning through a right solid



# True shape of the sectioned area

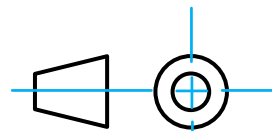


# True shape of the sectioned area

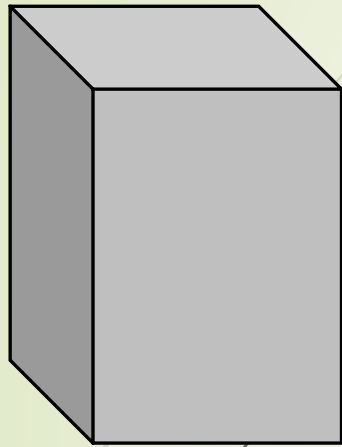


If the XY is drawn parallel with the cutting plane, the sectioned area will be the true shape

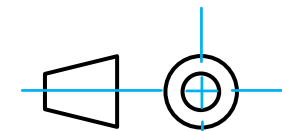
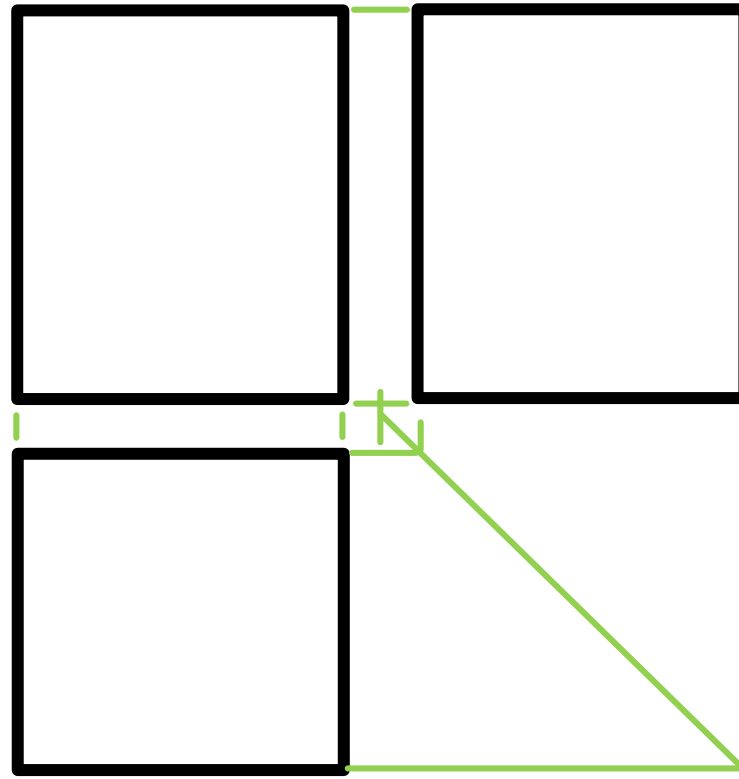
**True Shape**



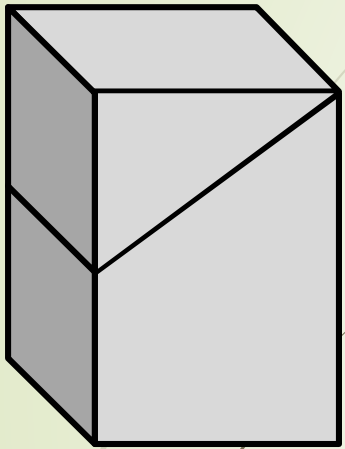
# Sectioning through a right solid



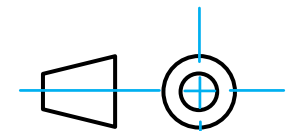
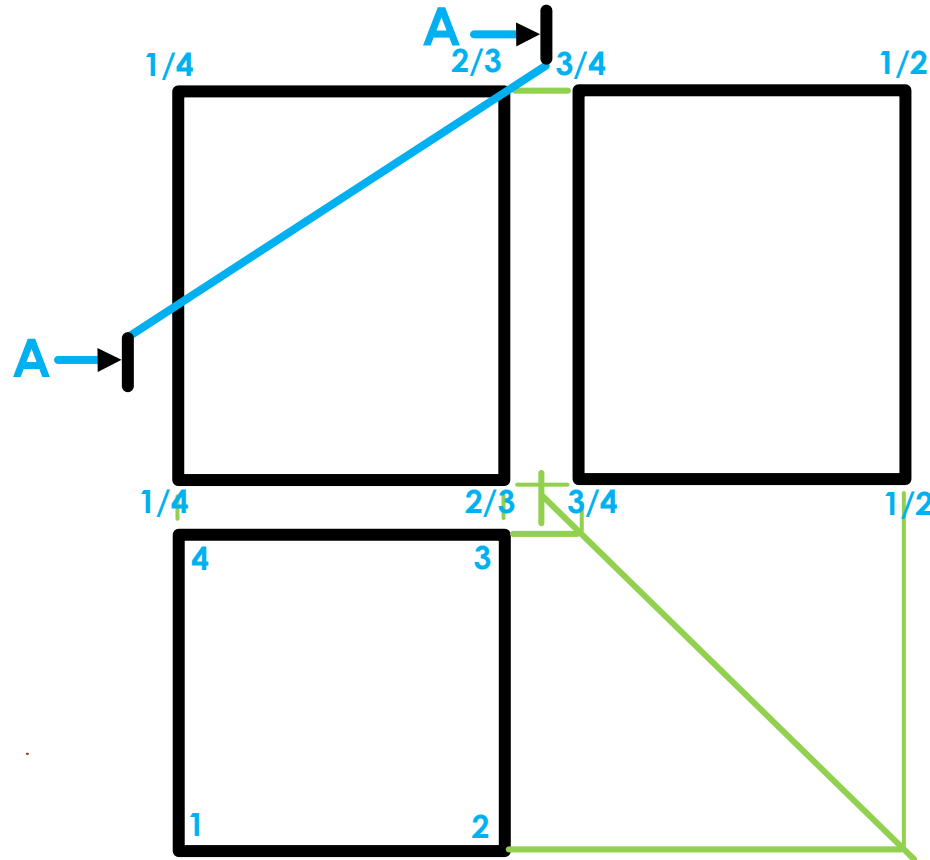
**FRONT VIEW**



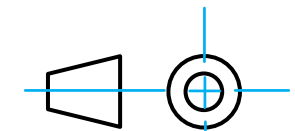
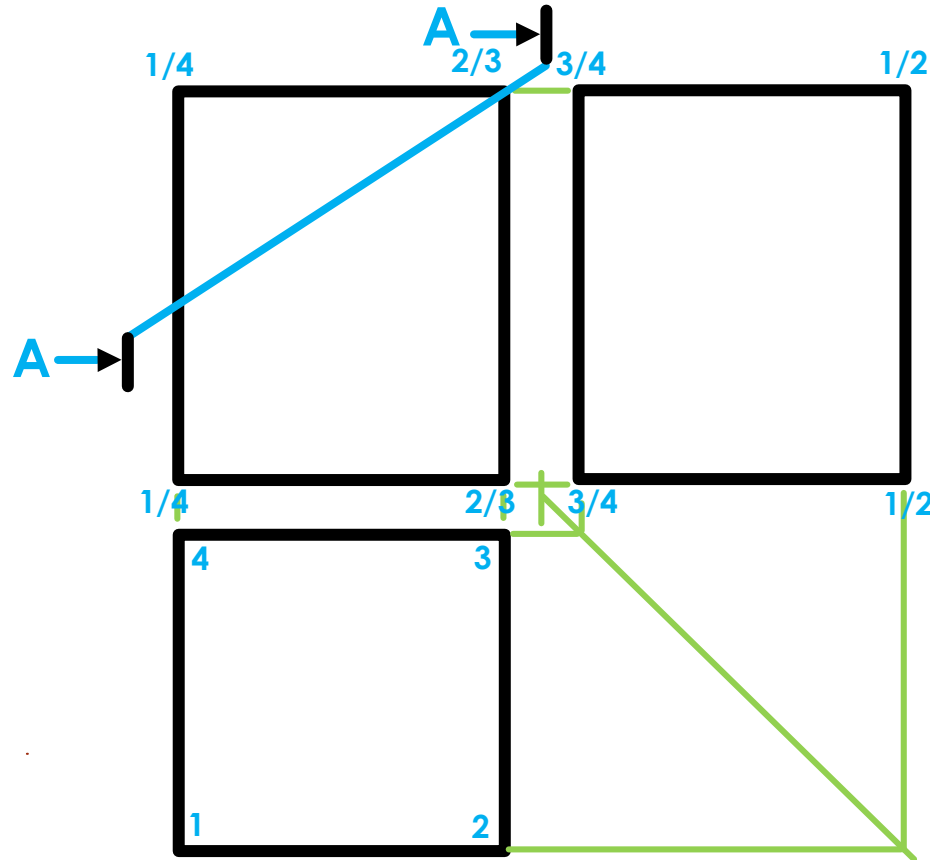
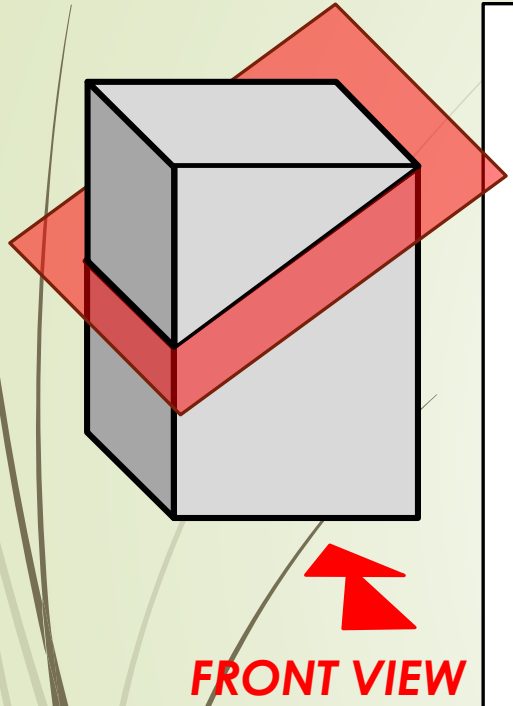
# Sectioning through a right solid



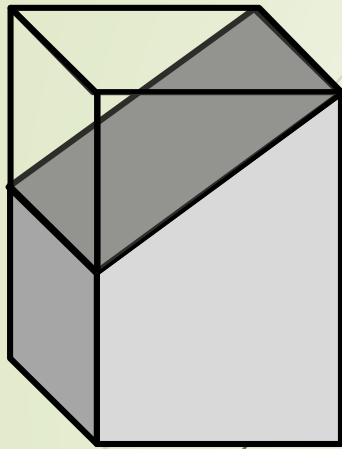
**FRONT VIEW**



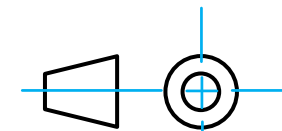
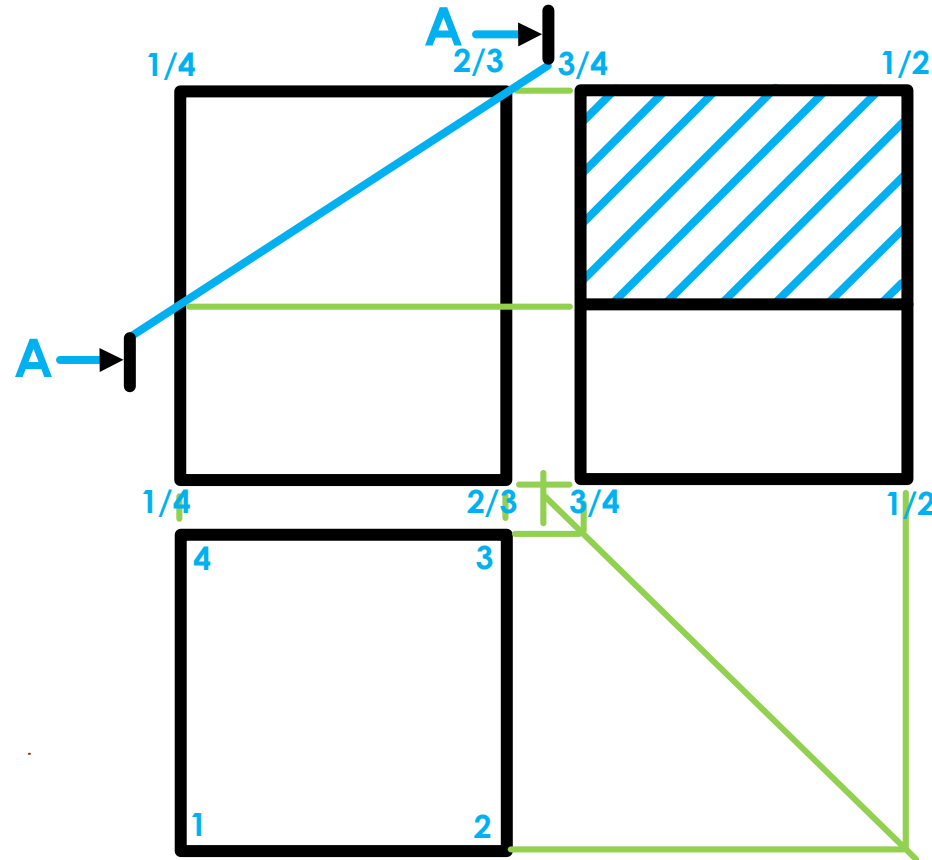
# Sectioning through a right solid



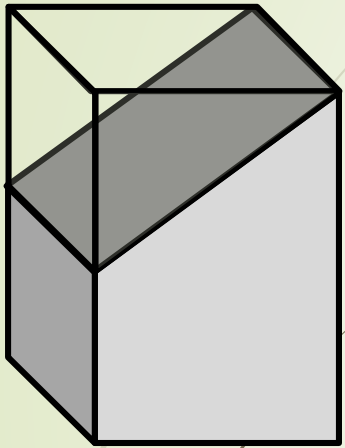
# Sectioning through a right solid



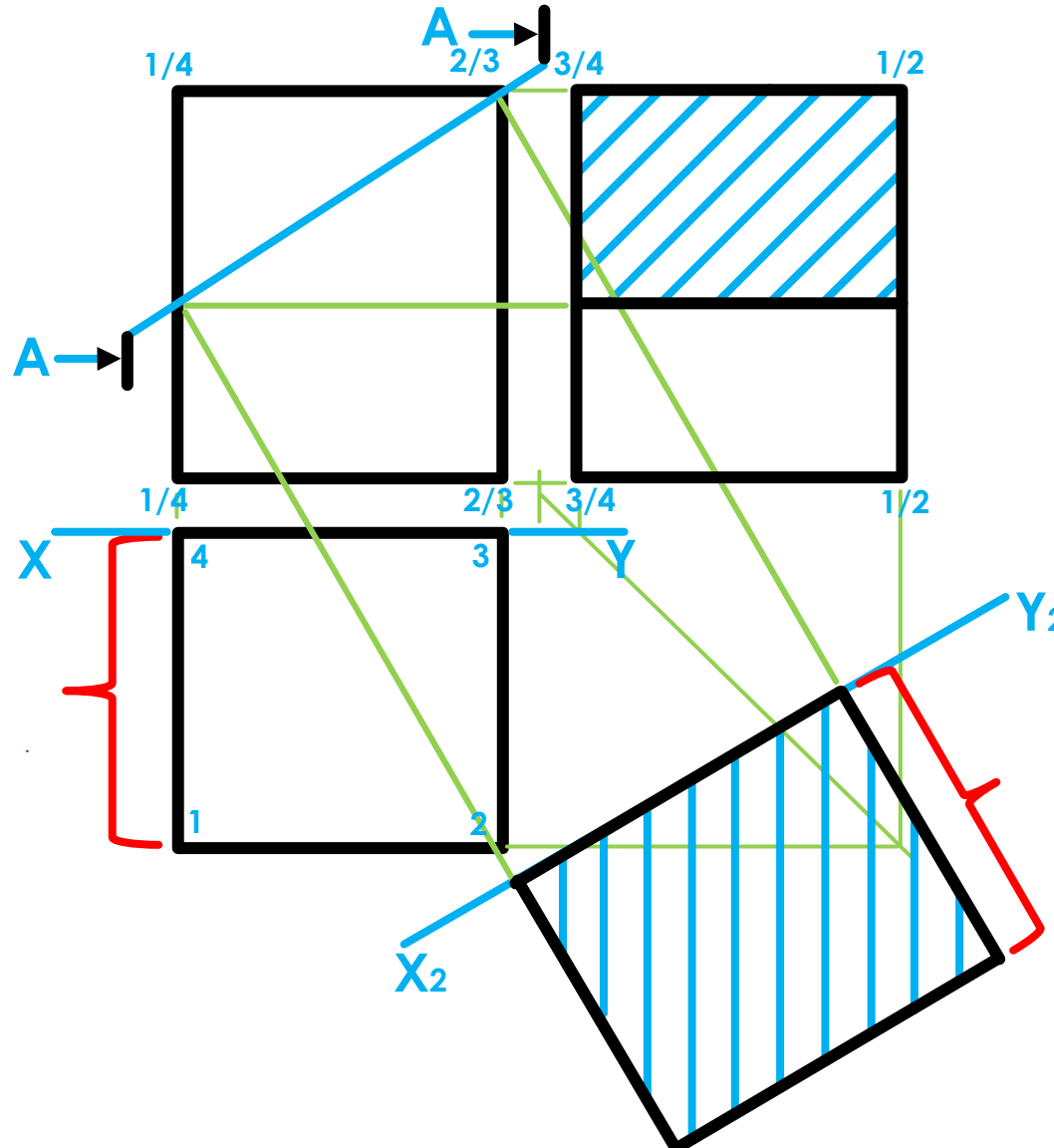
**FRONT VIEW**



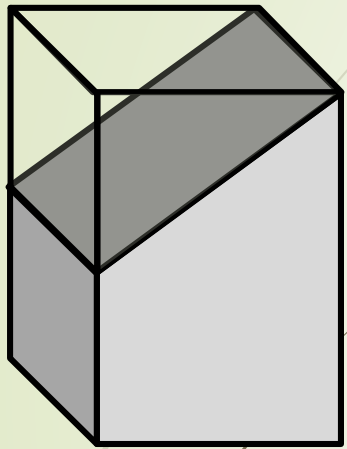
# True shape of the sectioned area



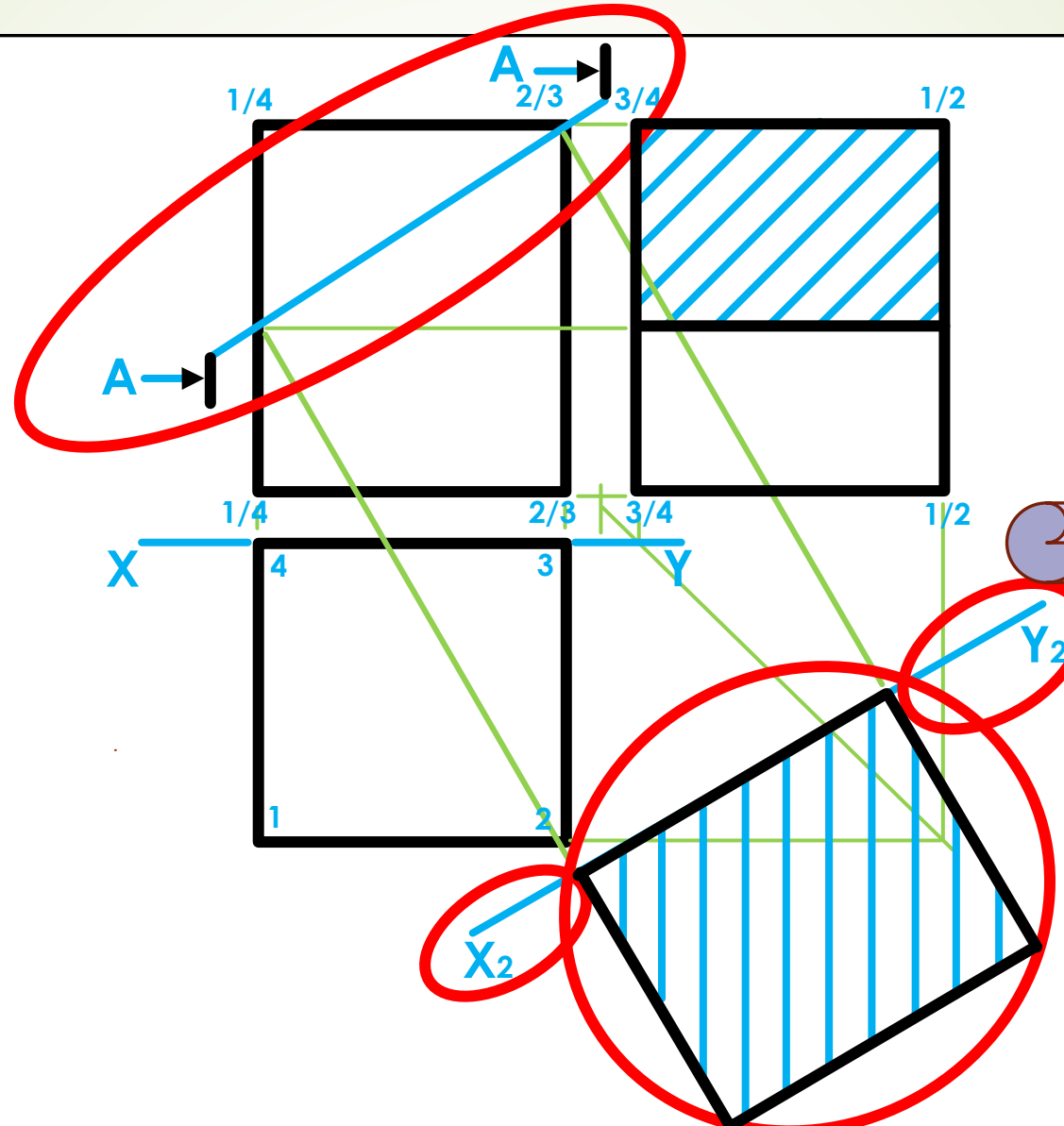
**FRONT VIEW**



# True shape of the sectioned area

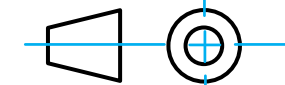


FRONT VIEW

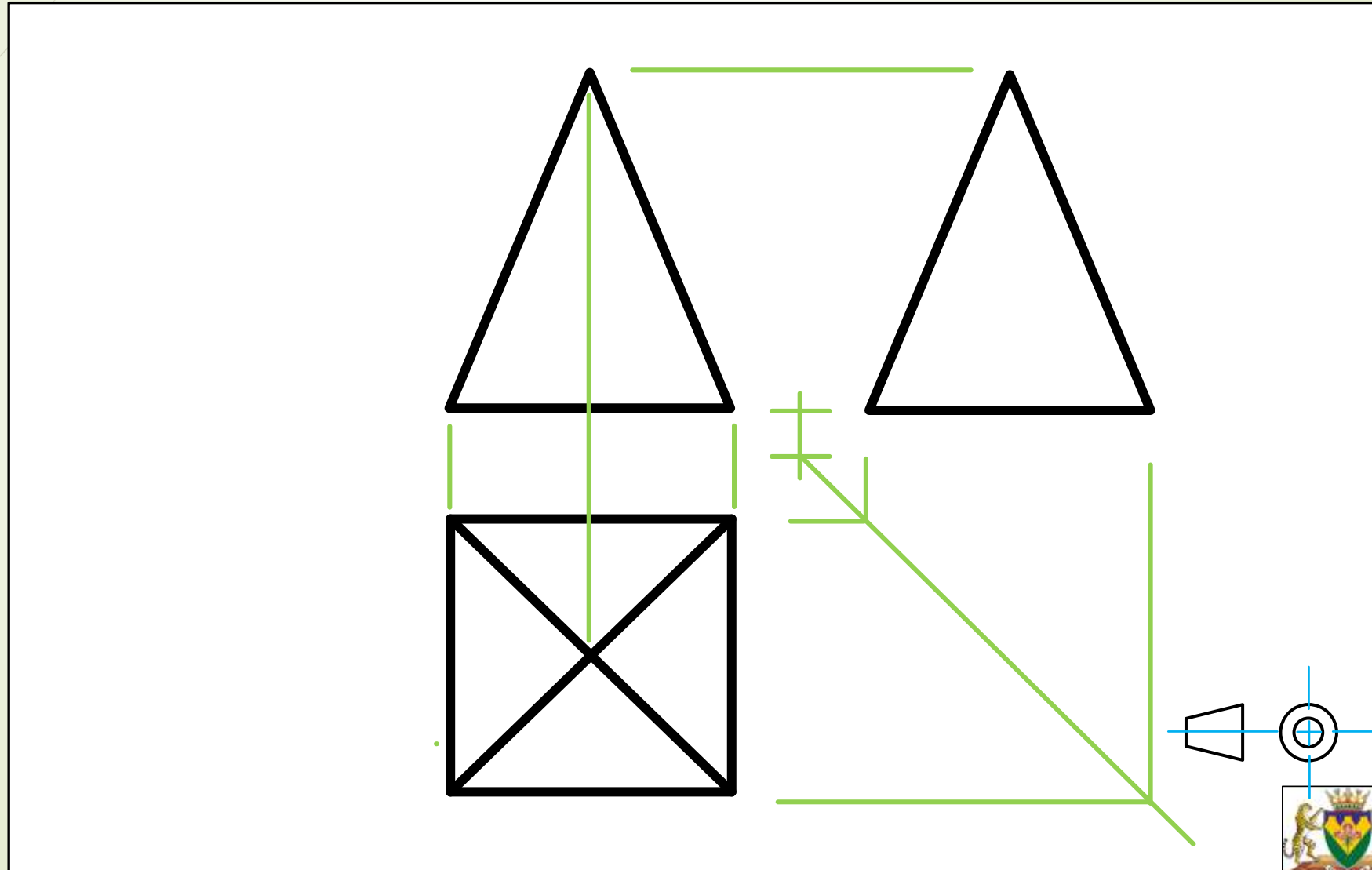
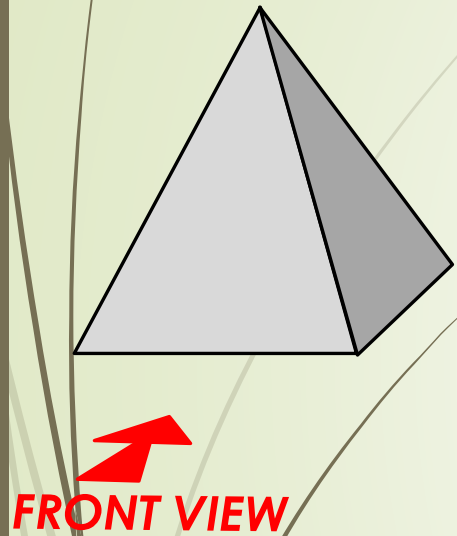


If the XY is drawn parallel with the cutting plane, the sectioned area will be the true shape

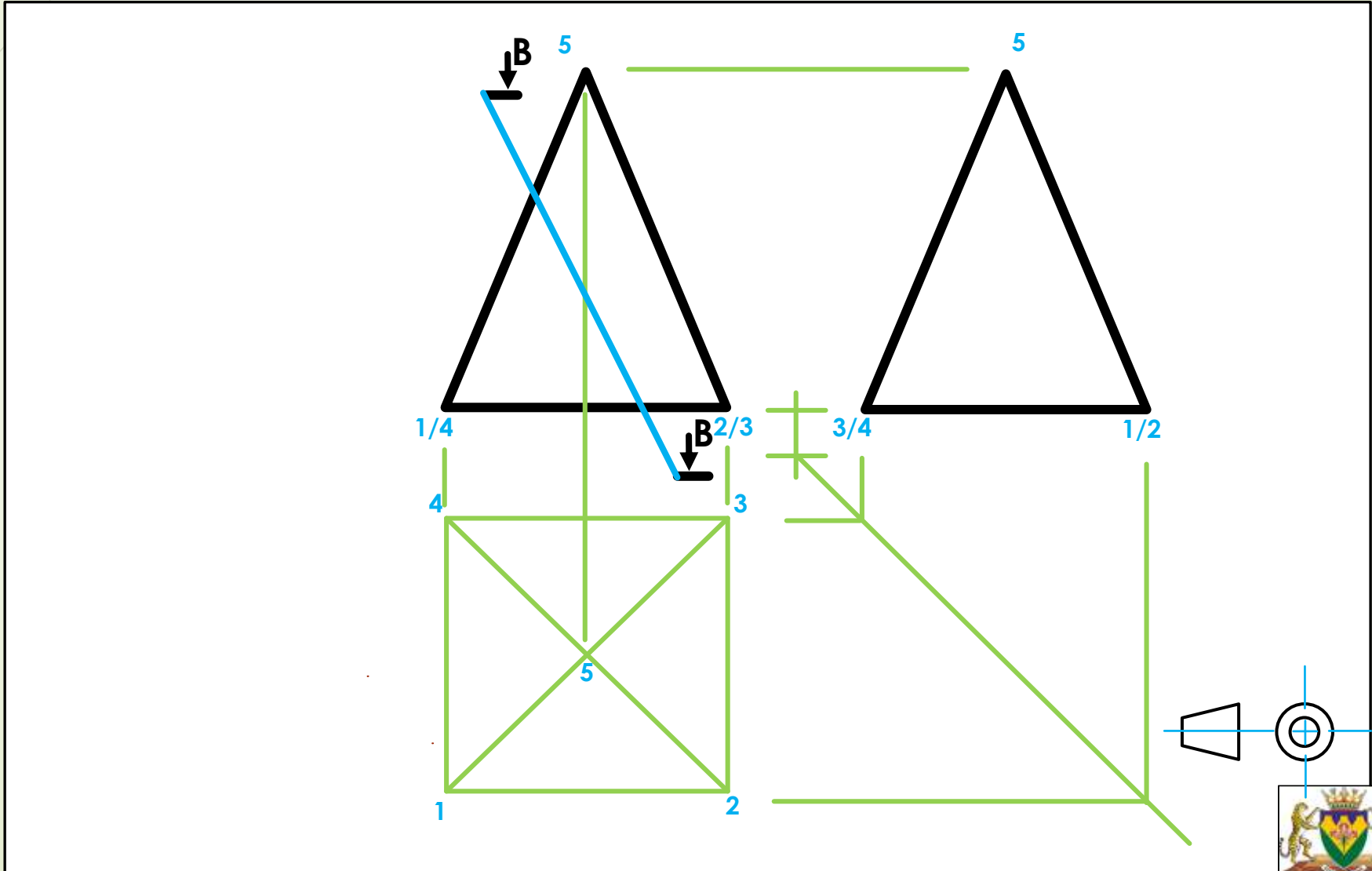
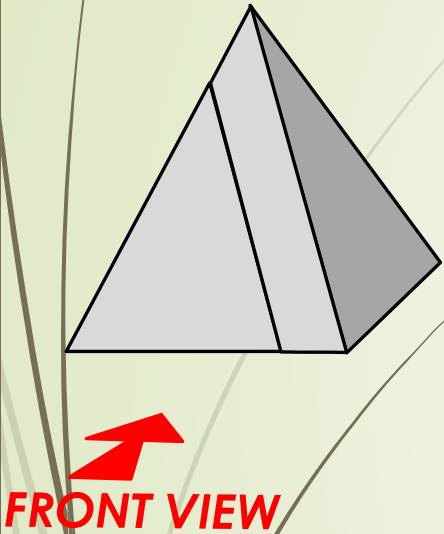
True Shape



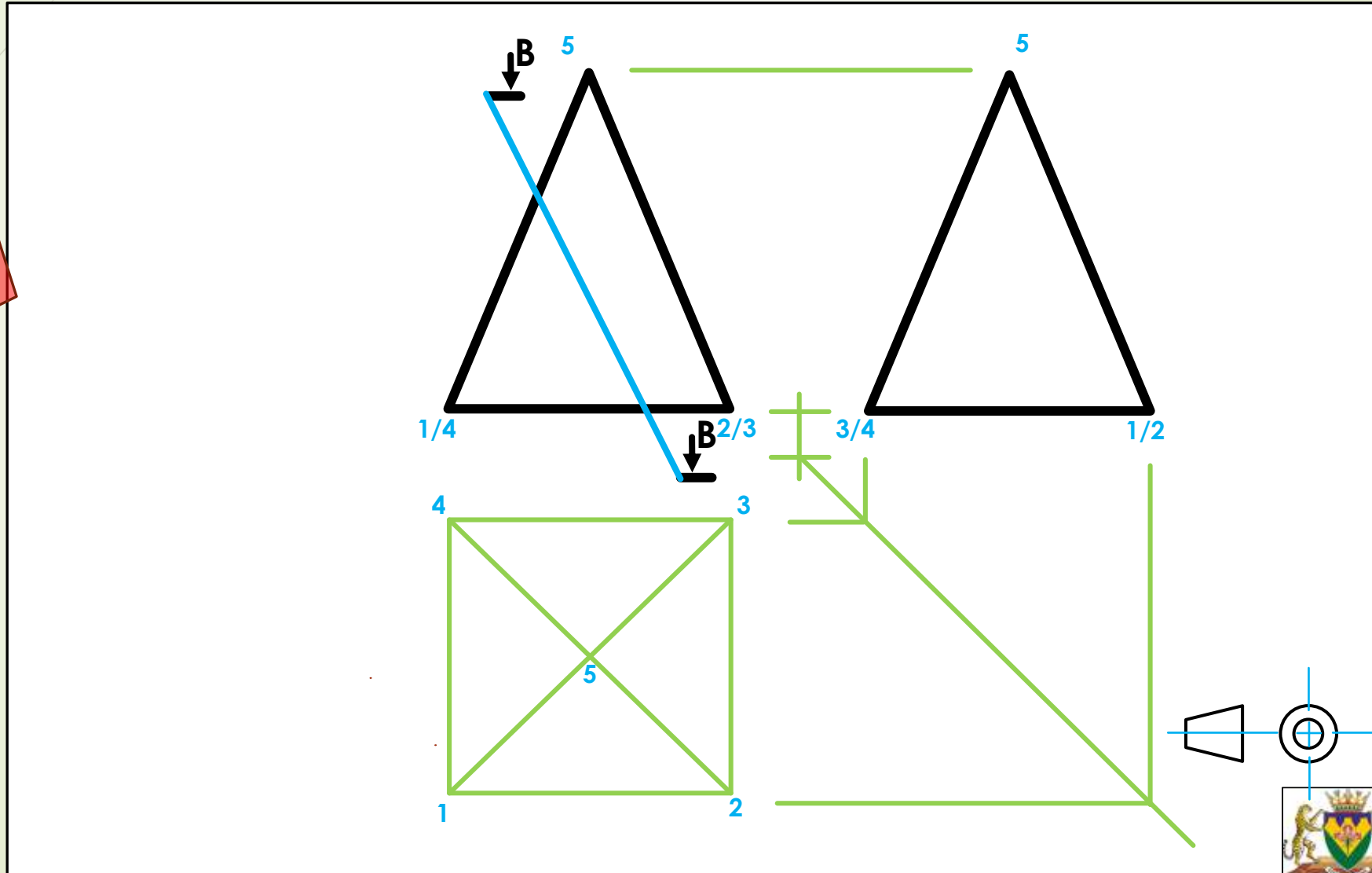
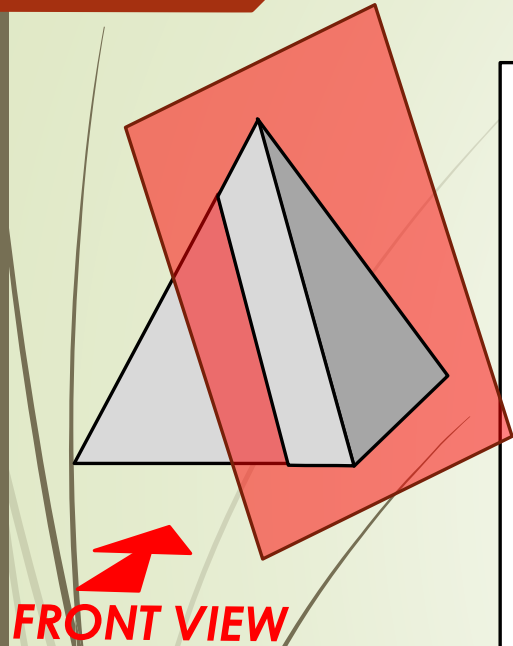
# Application on polygons



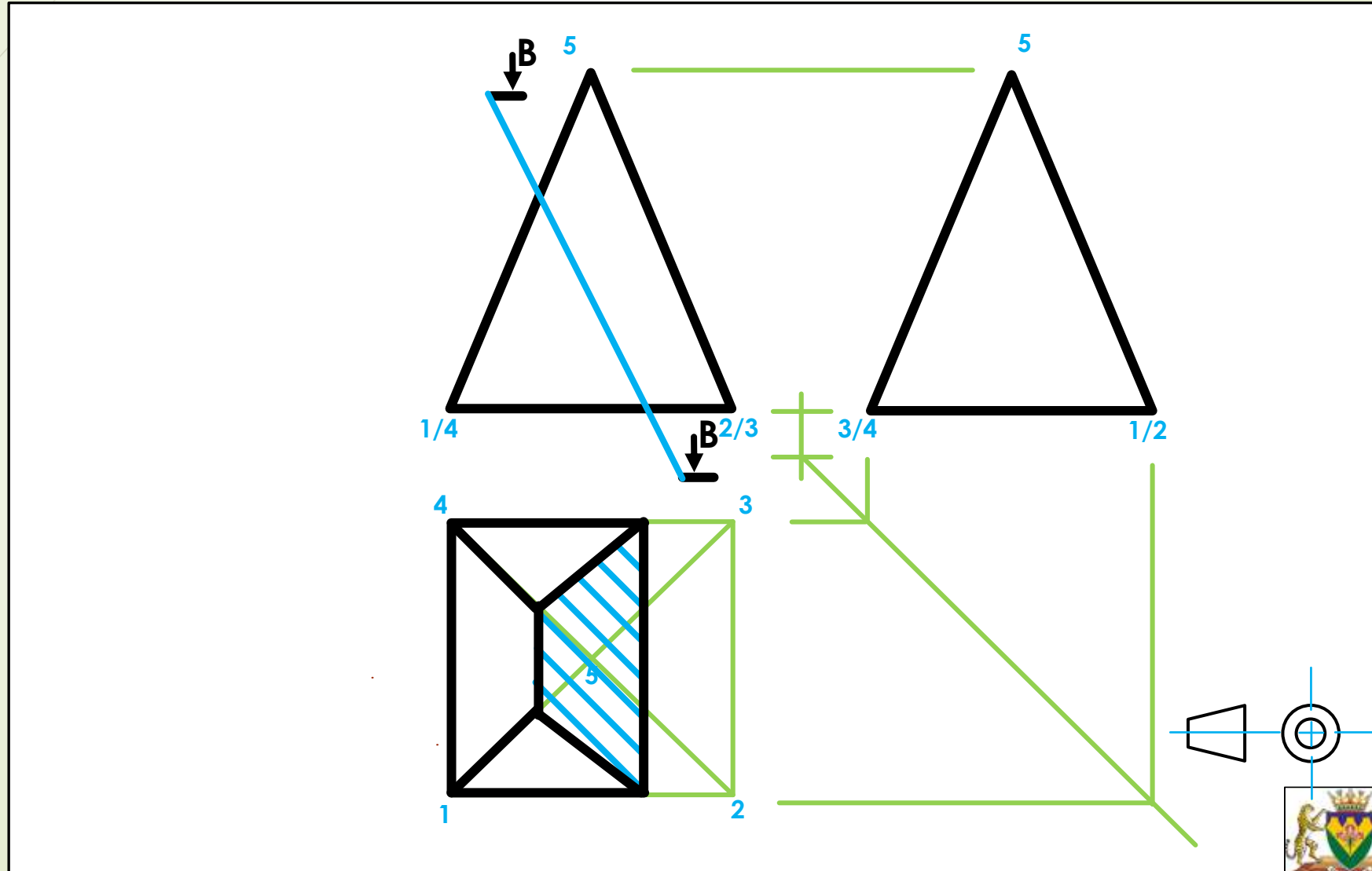
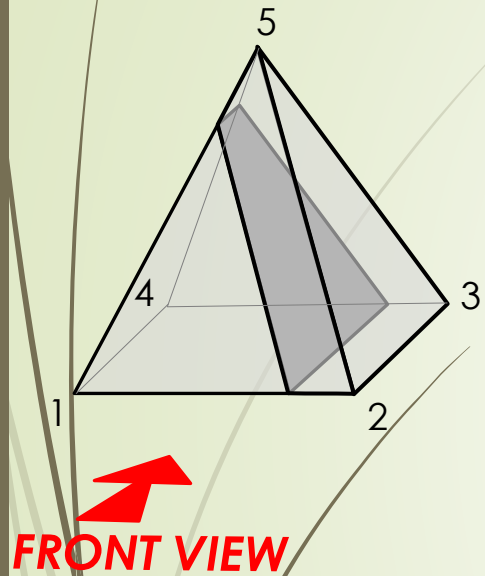
# Application on polygons



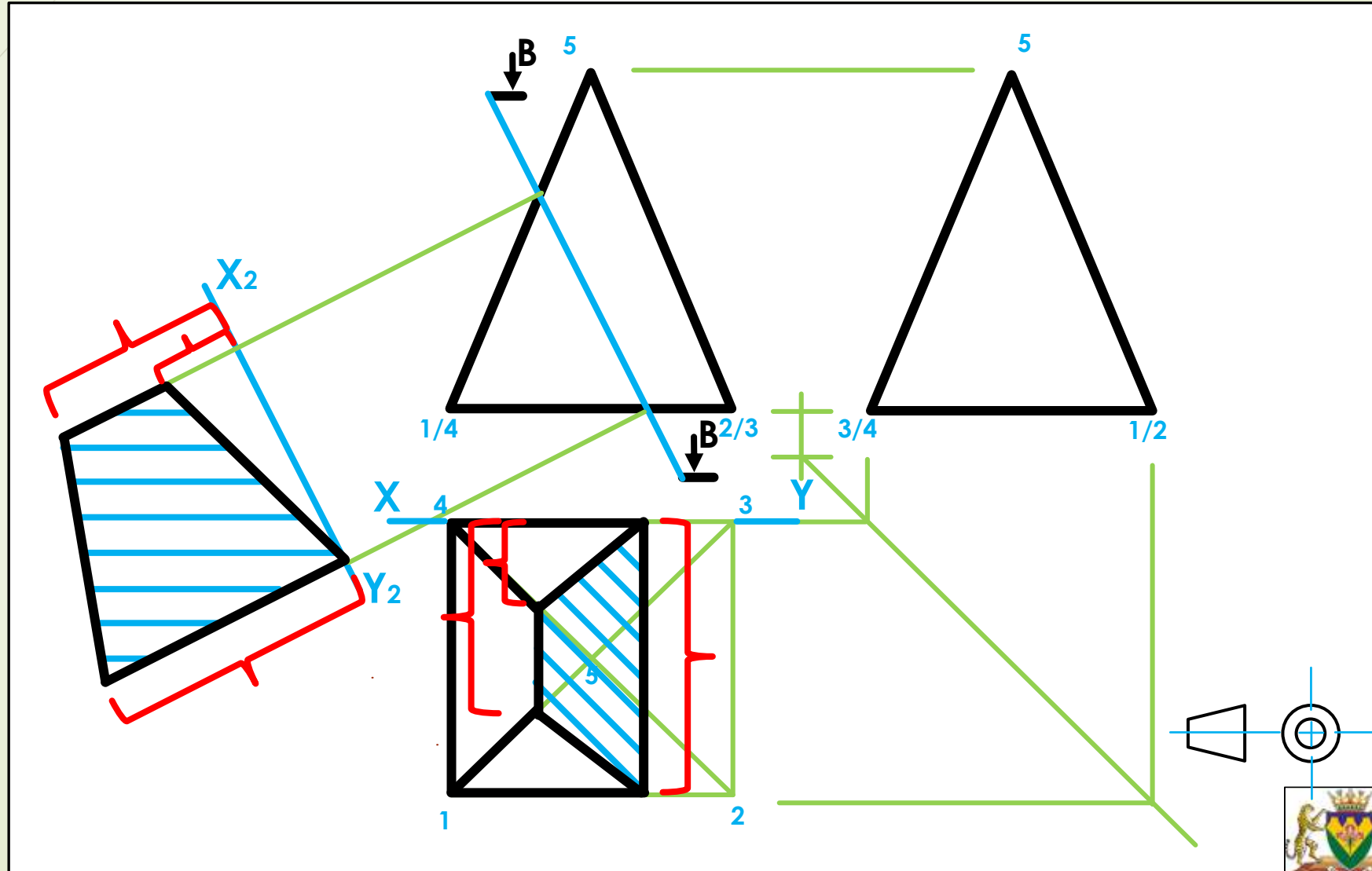
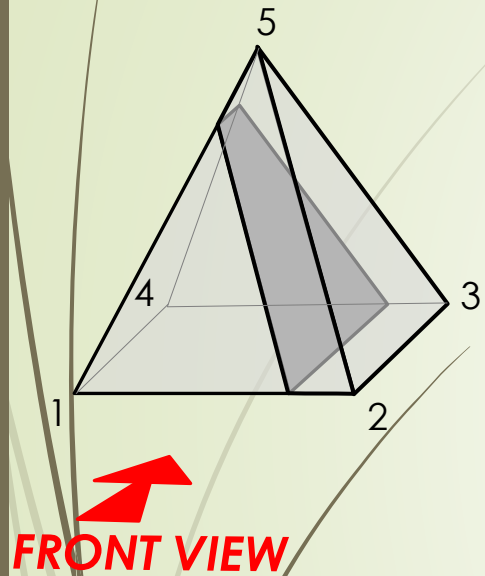
# Application on polygons



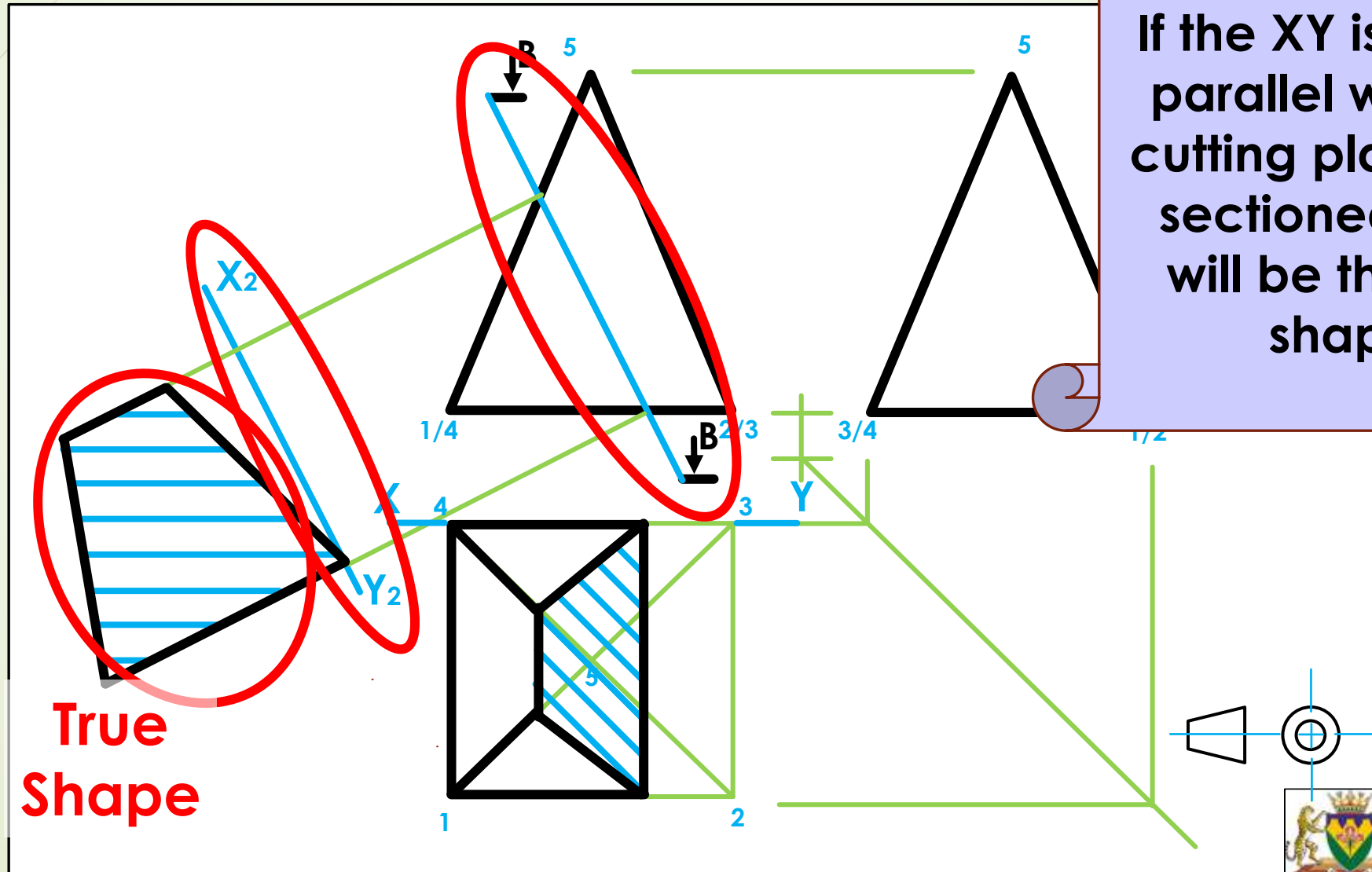
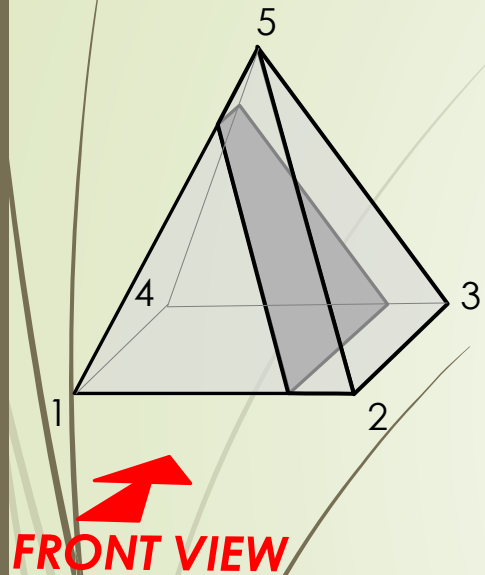
# Application on polygons



# Application on polygons



# Application on polygons



If the XY is drawn parallel with the cutting plane, the sectioned area will be the true shape