

QUESTION 2: SOLID GEOMETRY

Given:

- The front of a hexagonal pyramid with section line SS.
- The starting position P.

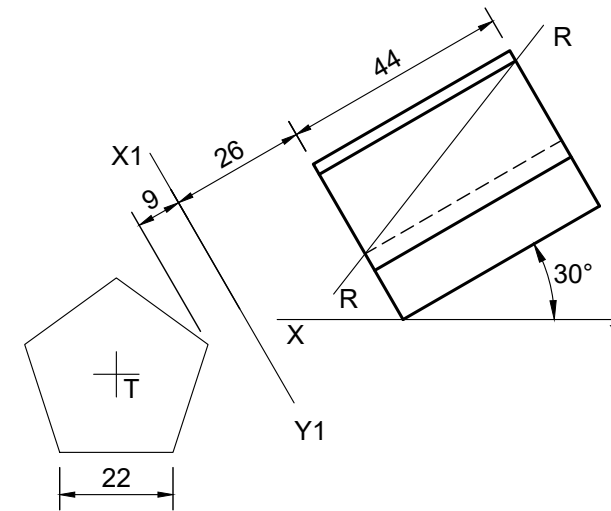
Instructions:

Draw, according to scale 1:1, the following views of the solid.

- 2.1 The given front view
- 2.2 A sectional top view according to section line SS
- 2.3 A sectional left view according to section line SS
- 2.4 The true shape

NOTE:

- Planning is important.
- Show all necessary constructions.
- Show all hidden detail. [32]



QUESTION 2: SOLID GEOMETRY

Given:

- The top view of a regular pentagonal prism with section line RR.
- The starting position T.

Instructions:

Draw, according to scale 1:1, the following views of the solid.

- 2.1 The given front view
- 2.2 A sectional top front view according to section line RR
- 2.3 A sectional left view according to section line RR
- 2.4 The true shape

NOTE:

- Planning is important
- Show all necessary constructions
- Show all hidden detail [42]



ASSESSMET CRITERIA			
1	GIVEN	3	
2	TOP VIEW	11.5	
3	LEFT VIEW	11	
4	TRUE SHAPE	6.5	
PENALIZING (-)			
SUB TOTAL 7.1.4		32	

ASSESSMENT CRITERIA			
1	GIVEN	14	
2	TOP VIEW	11.5	
3	LEFT VIEW	11.5	
4	TRUE SHAPE	5	
PENALIZING (-1)			
SUB TOTAL 7.4.2		42	
TOTAL 7.4		74	

