

QUESTION 2: SOLID GEOMETRY

Given:

- The front view of a cone and section line WW..
- The auxiliary view of the cone.
- The start position M.

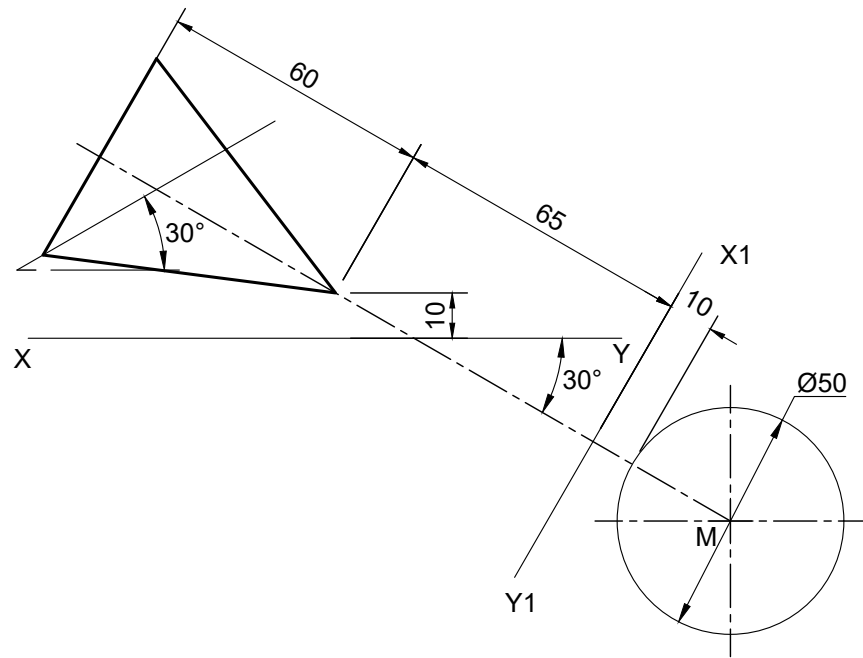
Instructions:

Draw, according to scale 1:1, the following views of the cone.

- 2.1 The front view
- 2.2 A sectional top view on WW
- 2.3 A sectional right view on WW

NOTE:

- Planning is important.
- Show all necessary constructions. [28]



ASSESSMET CRITERIA			
1	GIVEN	8	
2	TOP VIEW	10	
3	LEFT VIEW	10	
		PENALIZING (-)	
SUB TOTAL 7.5.1		28	

QUESTION 2: SOLID GEOMETRY

Given:

- The front view of a cylinder.
- The auxiliary view of the cylinder.
- The start position N.

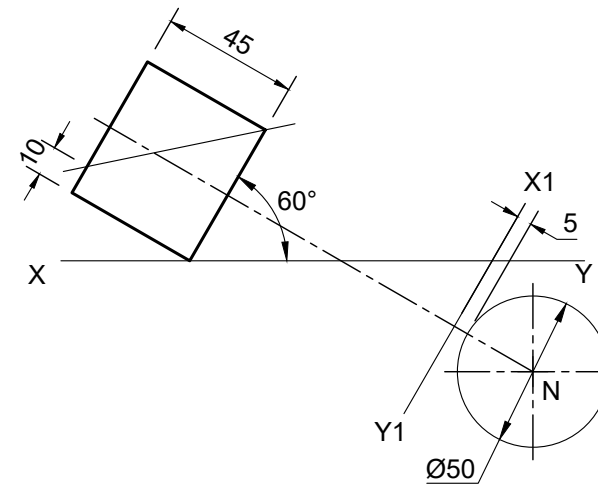
Instructions:

Draw, according to scale 1:1, the following views of the cylinder.

- 2.1 The given front view
- 2.2 A sectional top view on ZZ
- 2.3 A sectional left view on ZZ
- 2.4 The true shape of the section

NOTE:

- Planning is important.
- Show all necessary constructions.
- Show all hidden detail. [38]



ASSESSMENT CRITERIA			
1	GIVEN	7	
2	TOP VIEW	13	
3	LEFT VIEW	12	
4	TRUE SHAPE	6	
		PENALIZING (-1)	
SUB TOTAL 7.5.2		38	
TOTAL 7.5		66	

