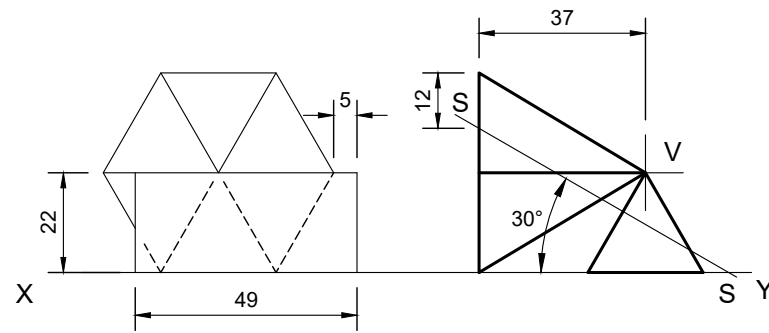


QUESTION 2: SOLID GEOMETRY

Given:

- The front view and auxiliary view of an hexagonal pyramid.
- The front view and auxiliary view of an equilateral triangular prism.
- The position of the pyramid showing how it rest on one of the edge of the upper side length of the triangular prism.
- The position of the section line SS showing how it will cut through both solids.
- The start position V.



Instructions:

Draw, according to scale 1:1, the following views of the solid.

- 2.1 The given front view
- 2.2 A sectional top view on SS
- 2.3 A sectional right view on SS
- 2.4 The true shape of the section

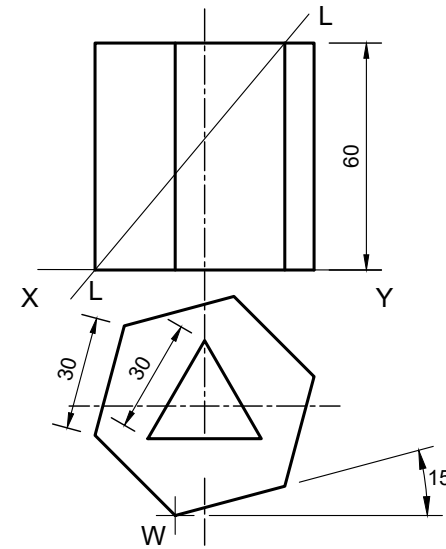
NOTE:

- Planning is important.
- Show all necessary constructions.
- Show all hidden detail.

[35]



| ASSESSMET CRITERIA | | | |
|------------------------|------------|-----------|--|
| 1 | FRONT VIEW | 6 | |
| 2 | TOP VIEW | 9,5 | |
| 3 | RIGHT VIEW | 13,5 | |
| 4 | TRUE SHAPE | 6 | |
| PENALIZING (-) | | | |
| SUB TOTAL 7.6.1 | | 35 | |



QUESTION 2: SOLID GEOMETRY

Given:

- The top view of a regular hexagonal prism with a equilateral triangular prismatic hole.
- The front view of the solid with section line LL.
- The start position W.

Instructions:

Draw, according to scale 1:1, the following views of the solid.

- 2.1 A sectional top view on LL
- 2.2 The given front view
- 2.3 A sectional left view

NOTE:

- Planning is important
- Show all necessary constructions
- Show all hidden detail

[39]



| ASSESSMENT CRITERIA | | | |
|------------------------|------------|-----------|--|
| 1 | TOP VIEW | 8 | |
| 2 | FRONT VIEW | 16 | |
| 3 | LEFT VIEW | 15 | |
| PENALIZING (-) | | | |
| SUB TOTAL 7.6.2 | | 39 | |
| TOTAL 7.6 | | 74 | |

