



# Projection symbol

## First or Third Angle Orthographic Projections

Developed by: PC Viljoen  
Senior Educational Specialist for  
Engineering Graphics and Design  
Free State Province

The difference in symbols  
between

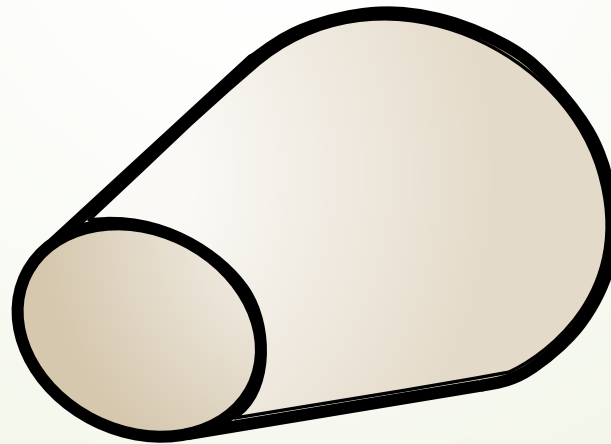
**First Angle Orthographic  
Projections (F.A.O.P.)**

&

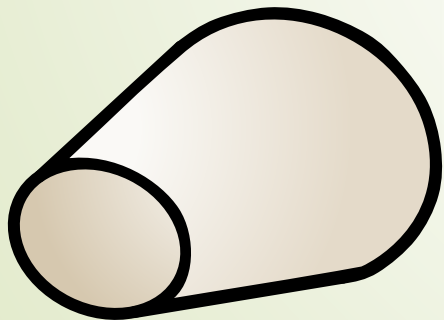
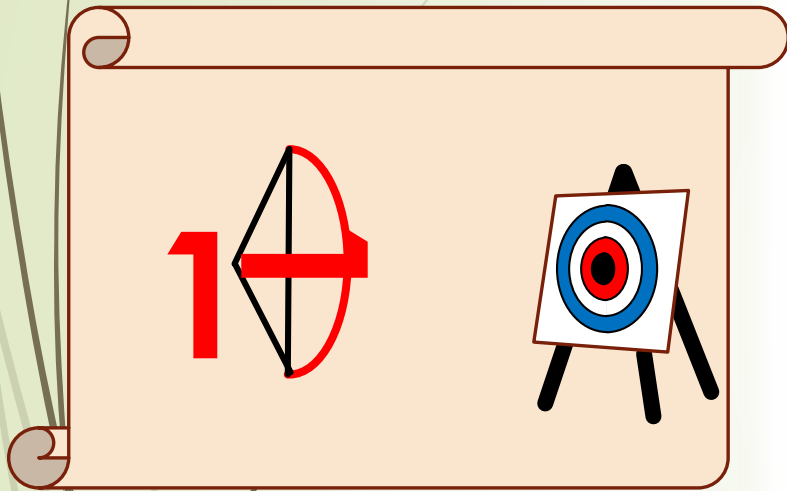
**Third Angle Orthographic  
Projections (T.A.O.P.)**

# Projection symbol for First or Third Angle Orthographic Projections

- ➔ The symbol indicating what view the drawing has been drawn in will be represented by a cone.

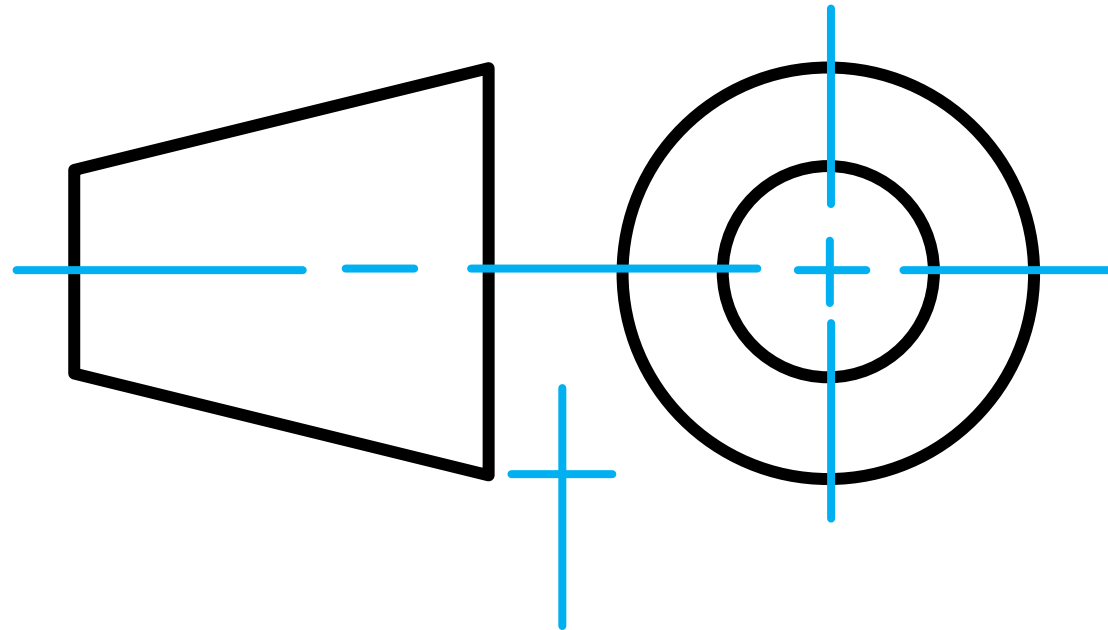


# Projection symbol for First Angle Orthographic Projections



Front view

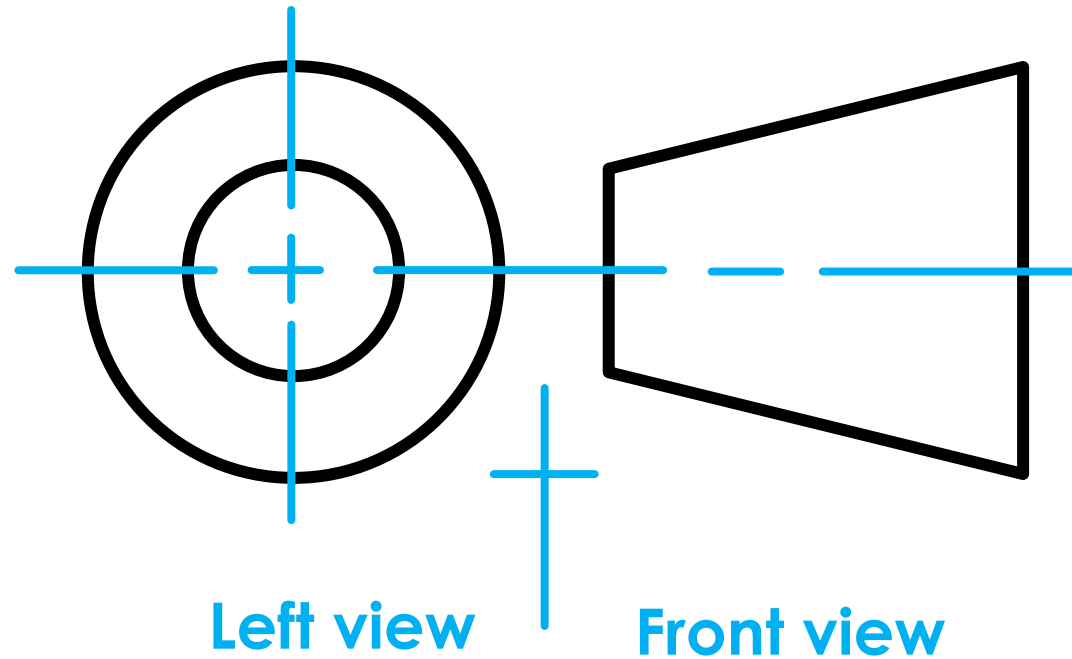
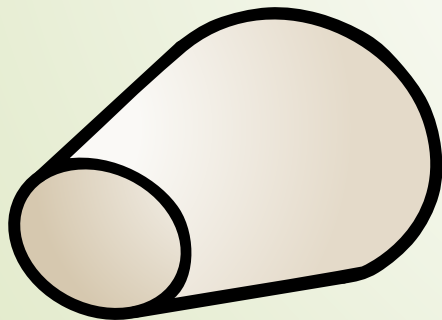
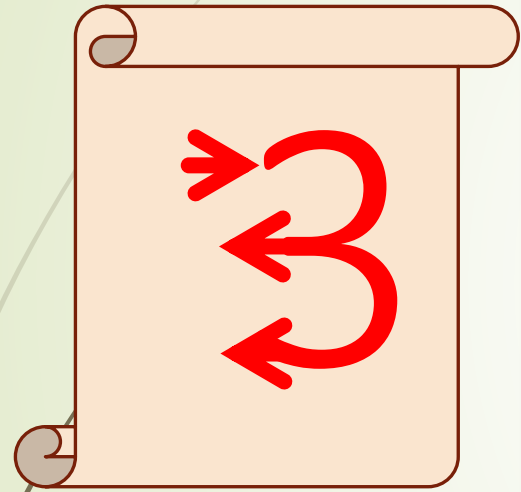
Left view



# First Angle Orthographic Projections (F.A.O.P.)

- All work on Paper 1 will normally be in F.A.O.P unless otherwise stated:
  - Civil analytical drawings
  - Solid Geometry, Interpenetrations, Transition pieces
  - Perspective drawings
  - Civil drawings

# Projection symbol for Third Angle Orthographic Projections



# Third Angle Orthographic Projections (T.A.O.P.)

- All work on Paper 2 will normally be in T.A.O.P unless otherwise stated:
  - Mechanical analytical drawings
  - Loci of Helix, Cams and Mechanisms
  - Isometric drawings
  - Mechanical work drawings