



# LOCI of a CAM

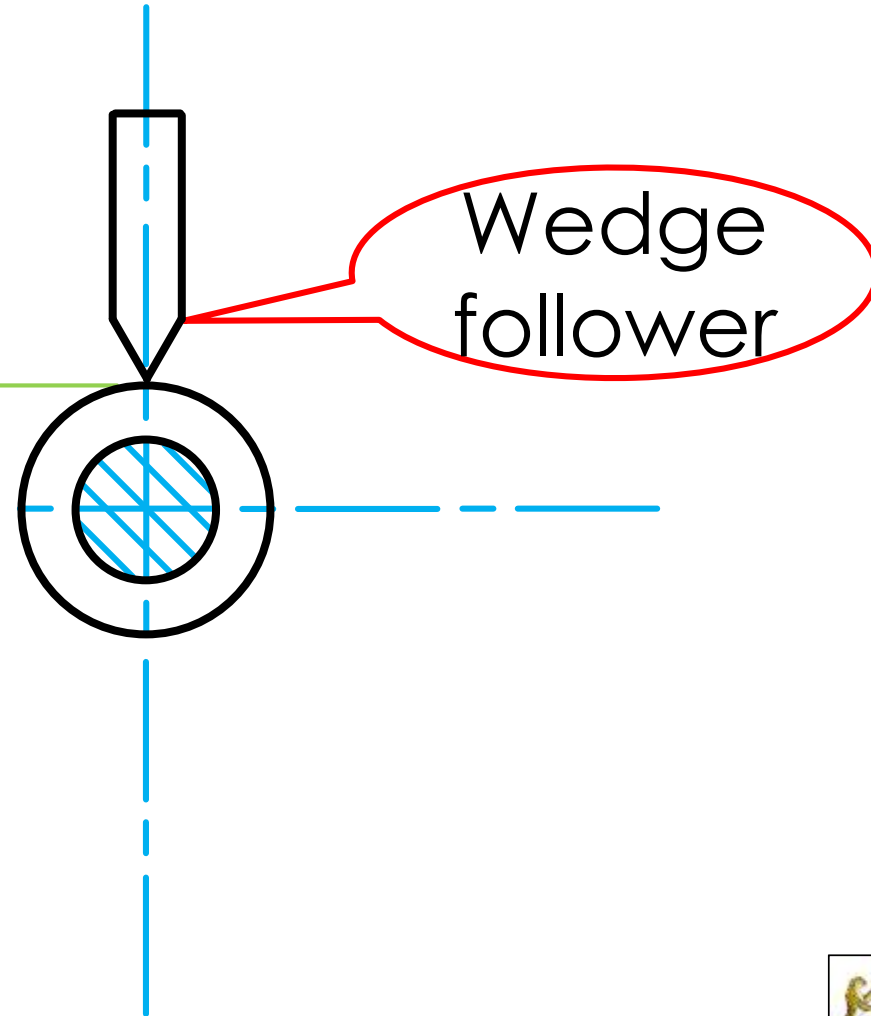
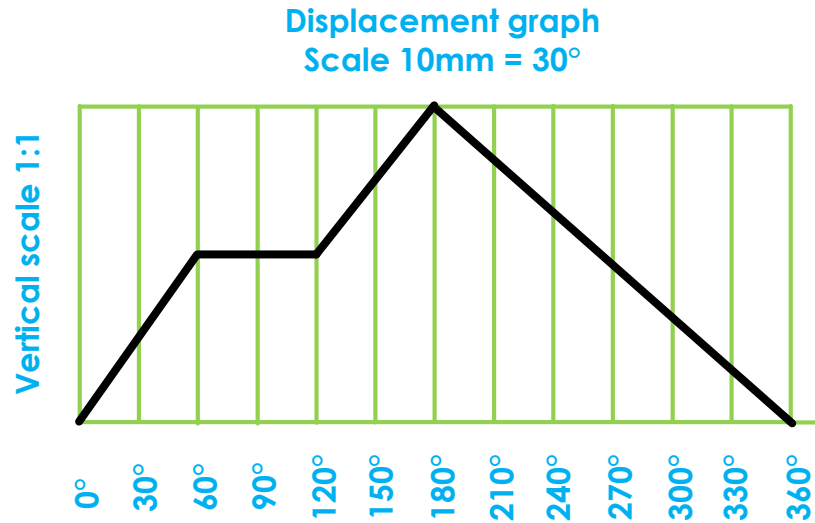
**Grade 11 & 12**

Developed by: PC Viljoen  
Senior Educational Specialist for  
Engineering Graphics and Design  
Free State Province

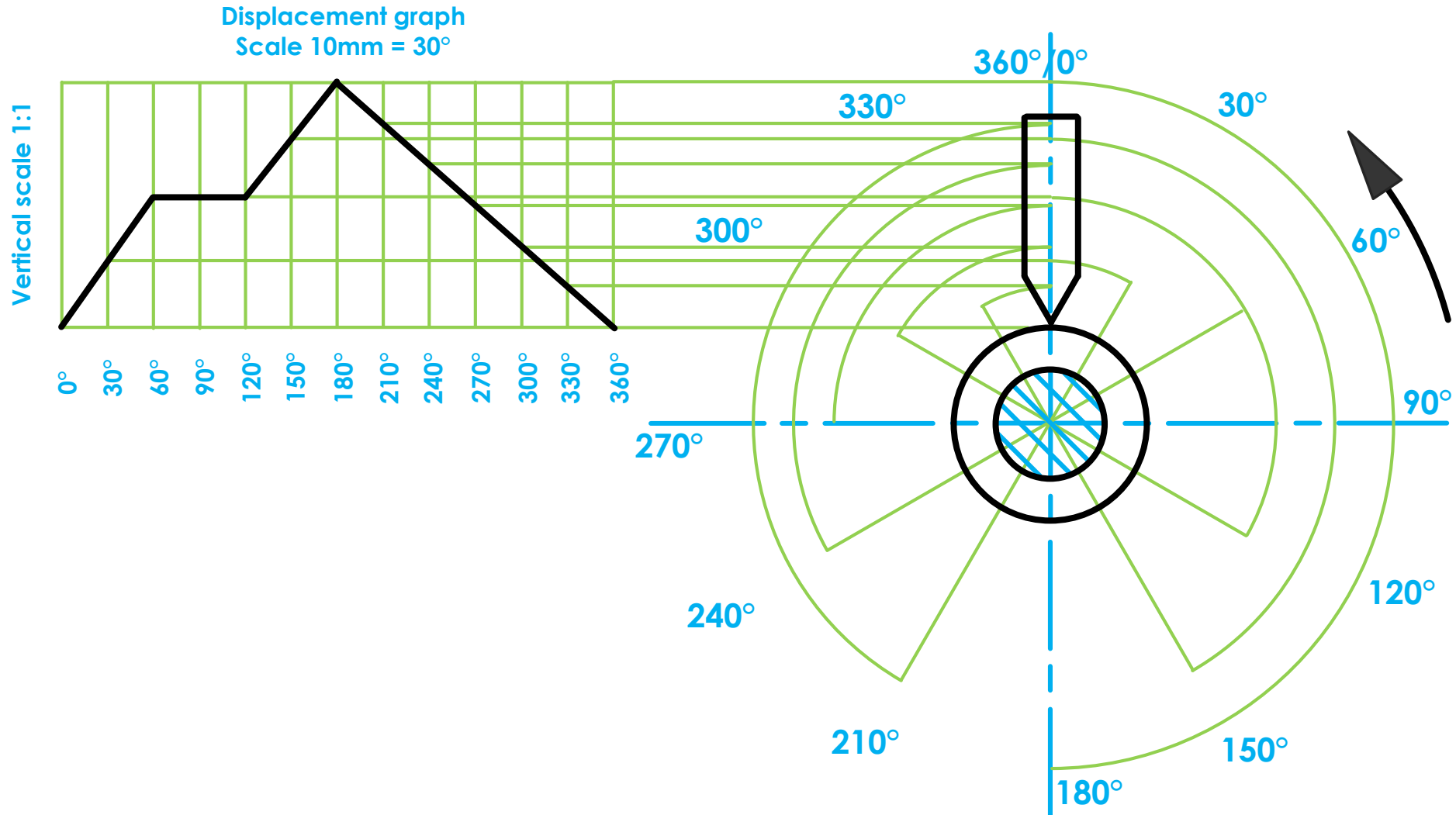
# FOLLOWER DETAIL

- After the displacement graph is developed?
  - Determine the **type of cam follower**
    - Wedge follower
    - Flat follower
    - Roller follower

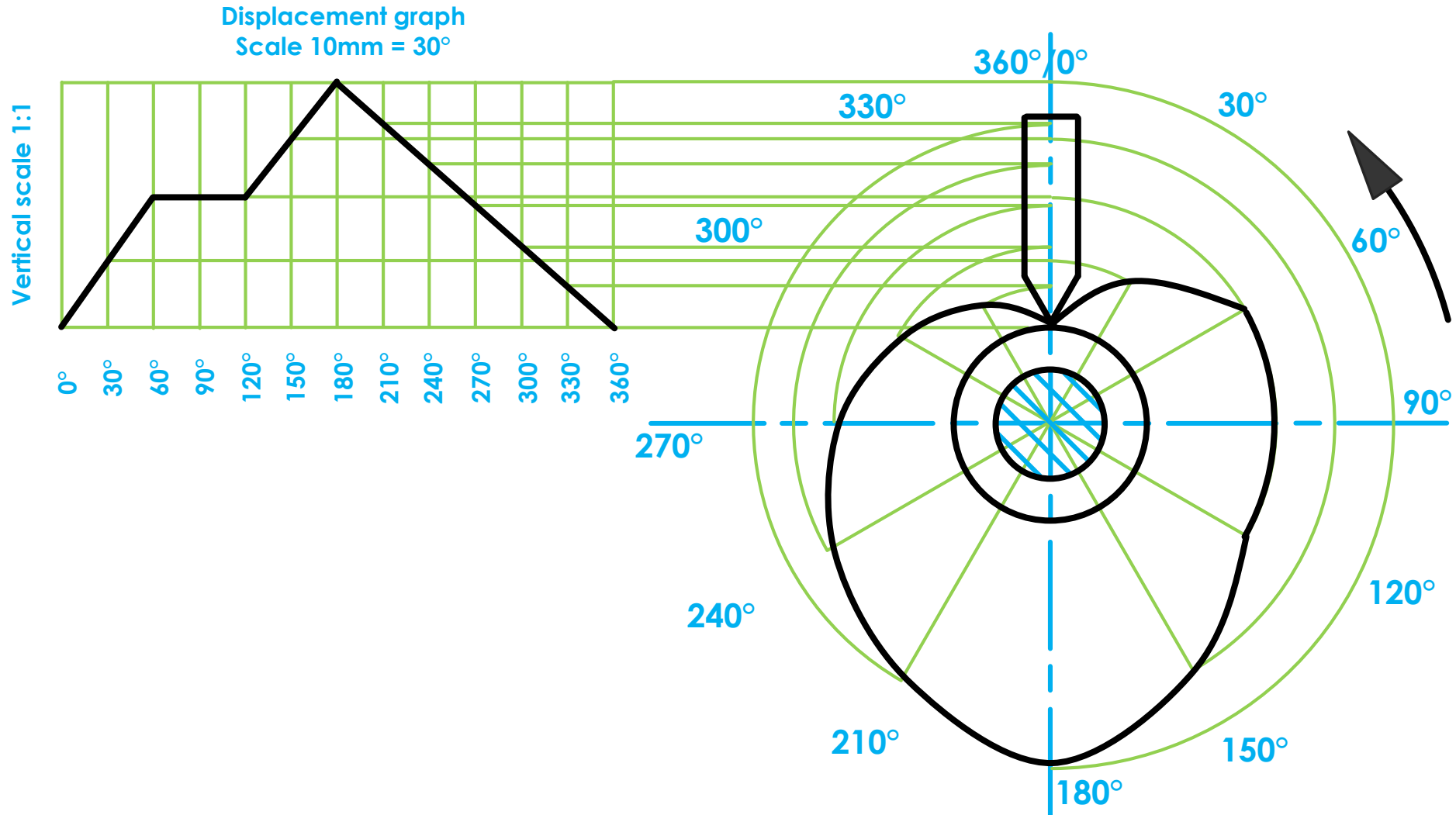
# FOLLOWER DETAIL - WEDGE



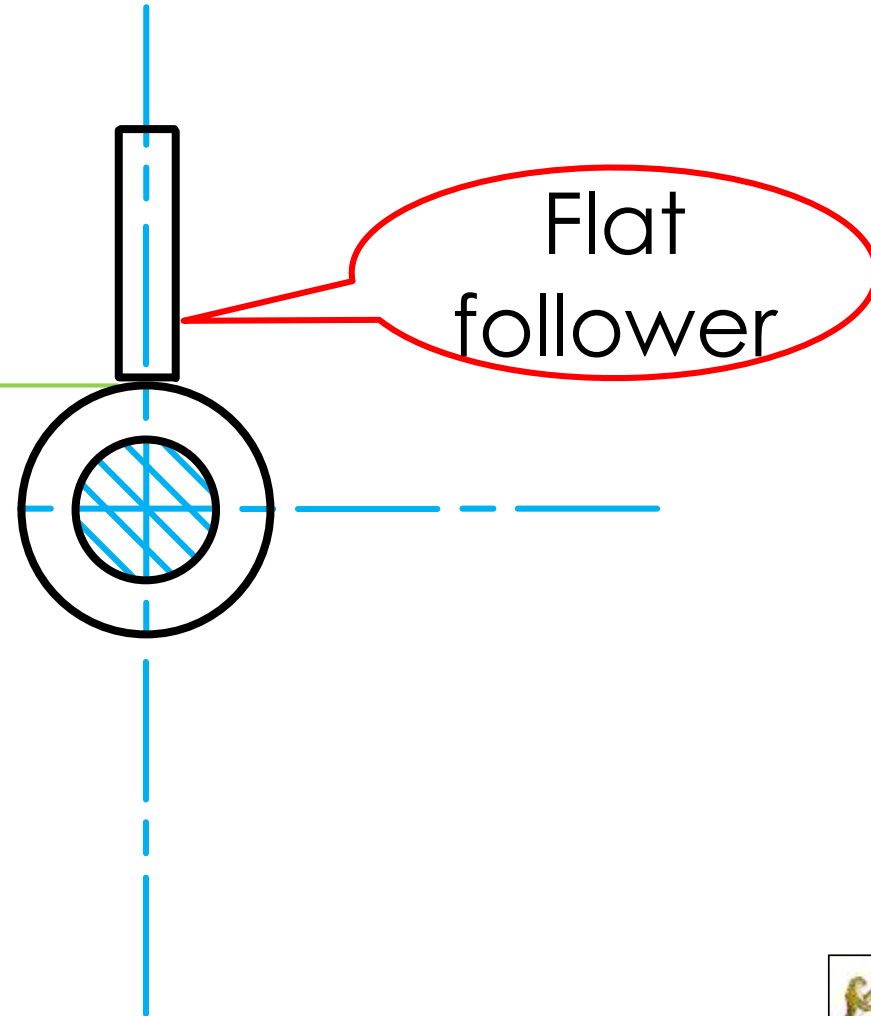
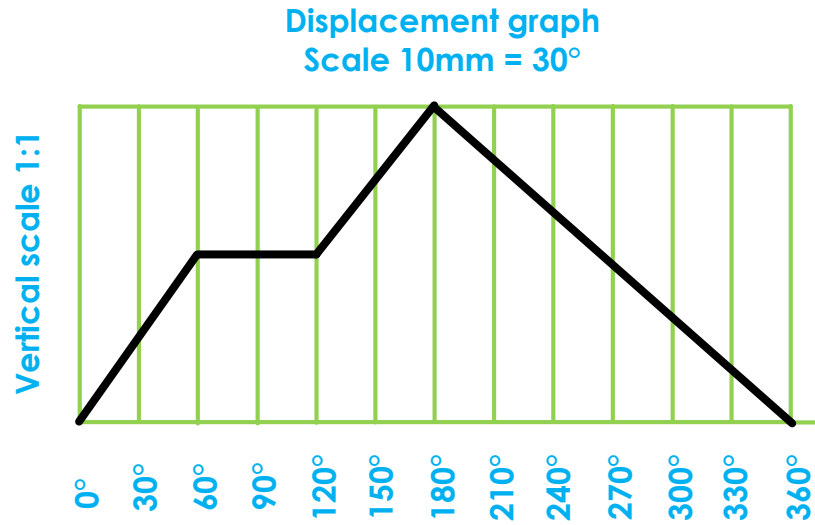
# FOLLOWER DETAIL - WEDGE



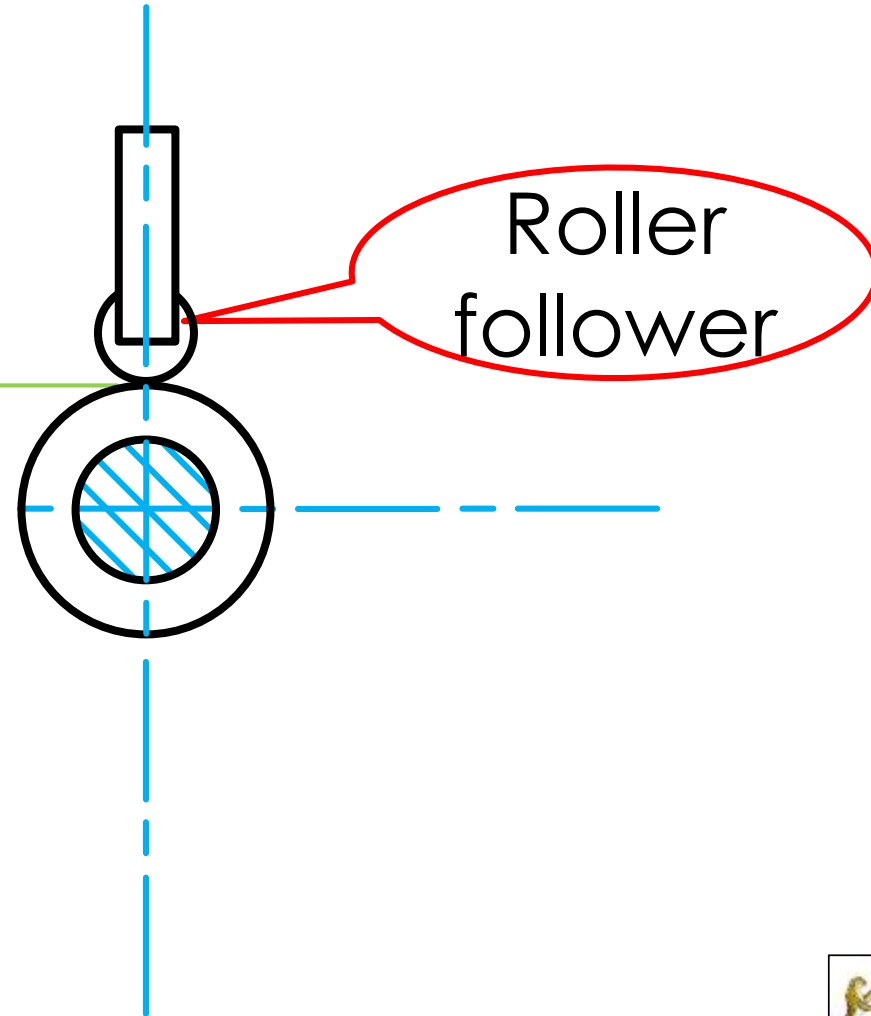
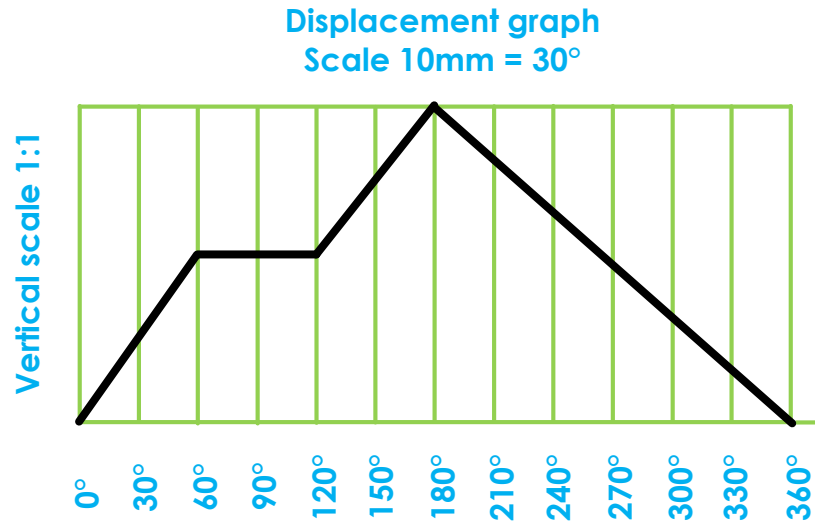
# FOLLOWER DETAIL - WEDGE



# FOLLOWER DETAIL - FLAT



# FOLLOWER DETAIL - ROLLER





# FOLLOWER DETAIL - ROLLER

