



LOCI of a CAM

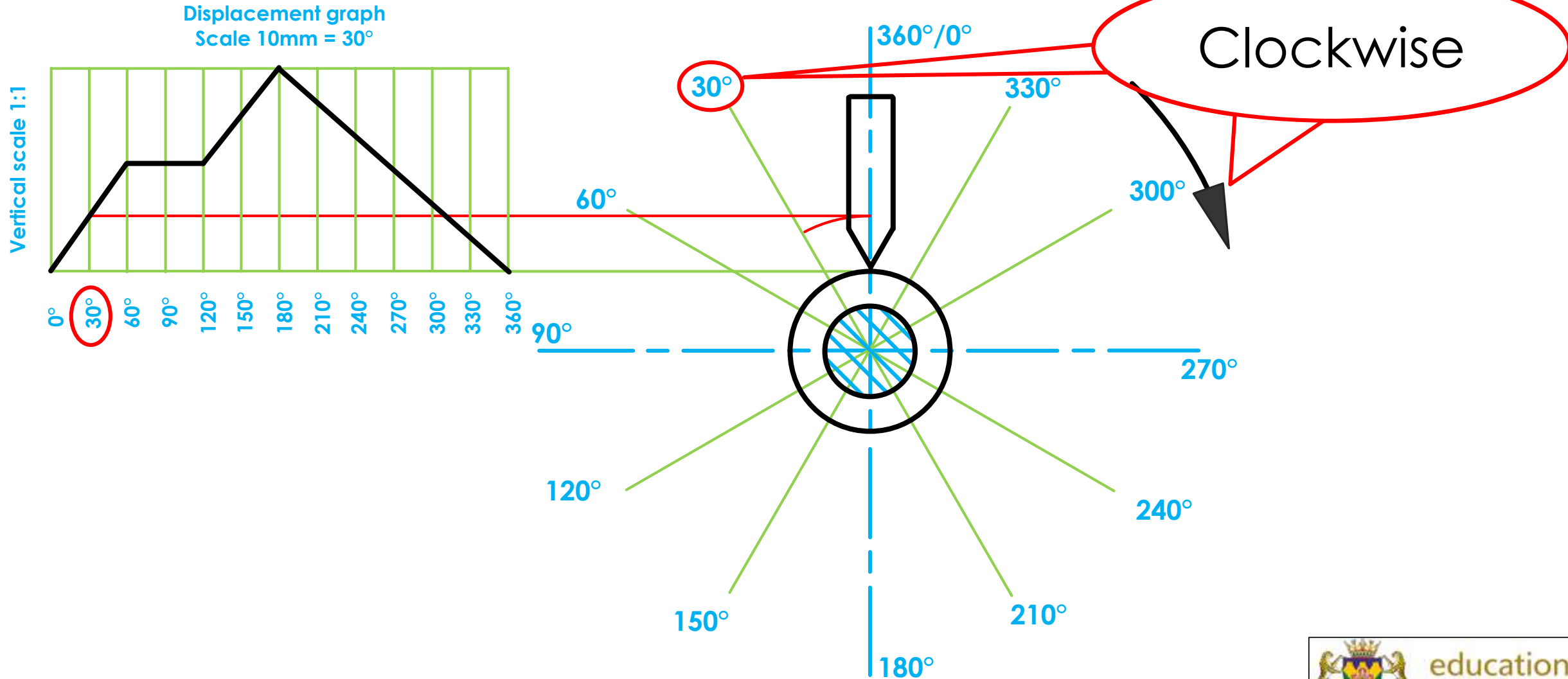
Grade 11 & 12

Developed by: PC Viljoen
Senior Educational Specialist for
Engineering Graphics and Design
Free State Province

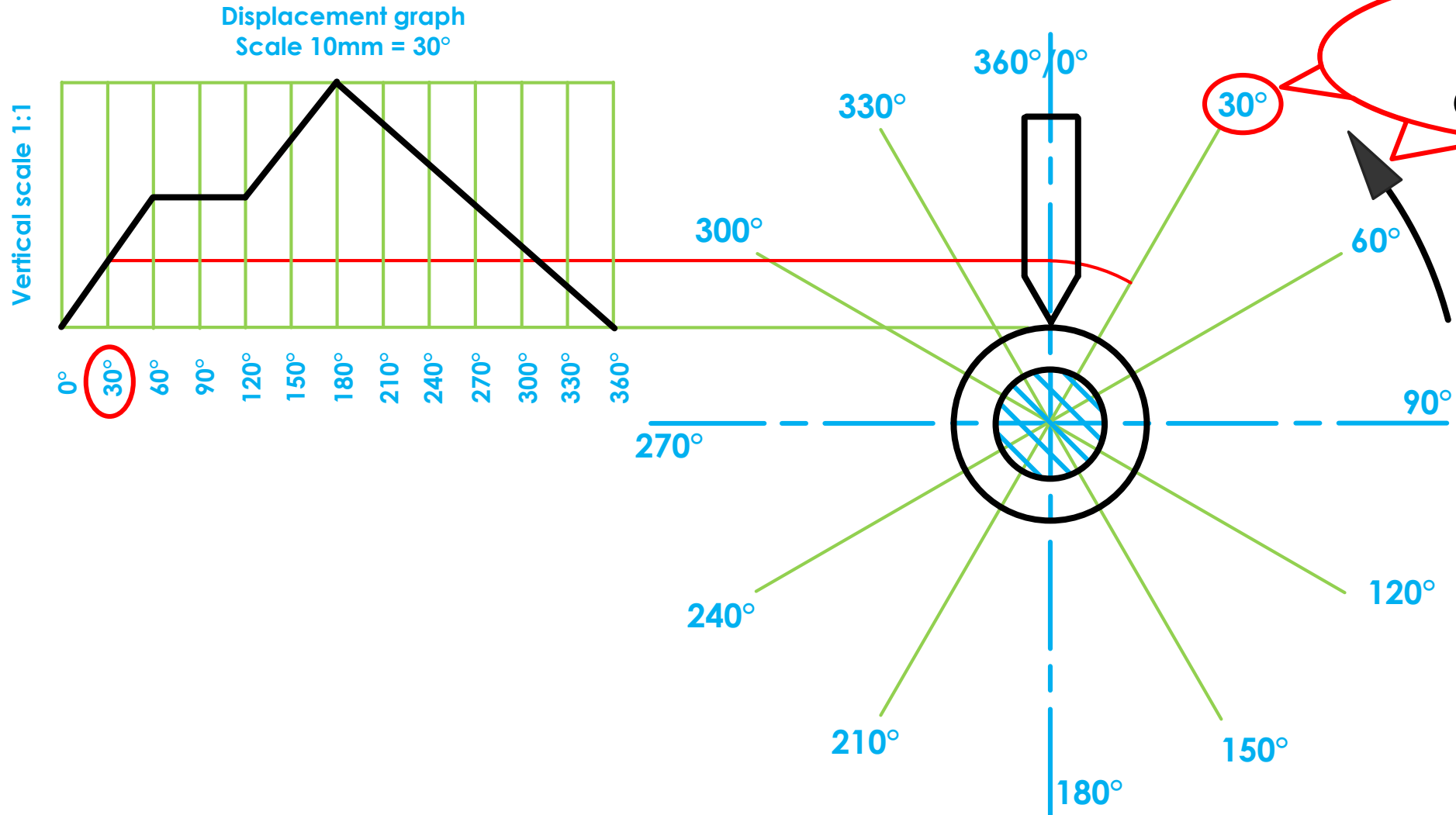
Loci of a CAM

- Variation on the position of the follower
 - The follower can be on a vertical angle, slanted angle or horizontal angle.

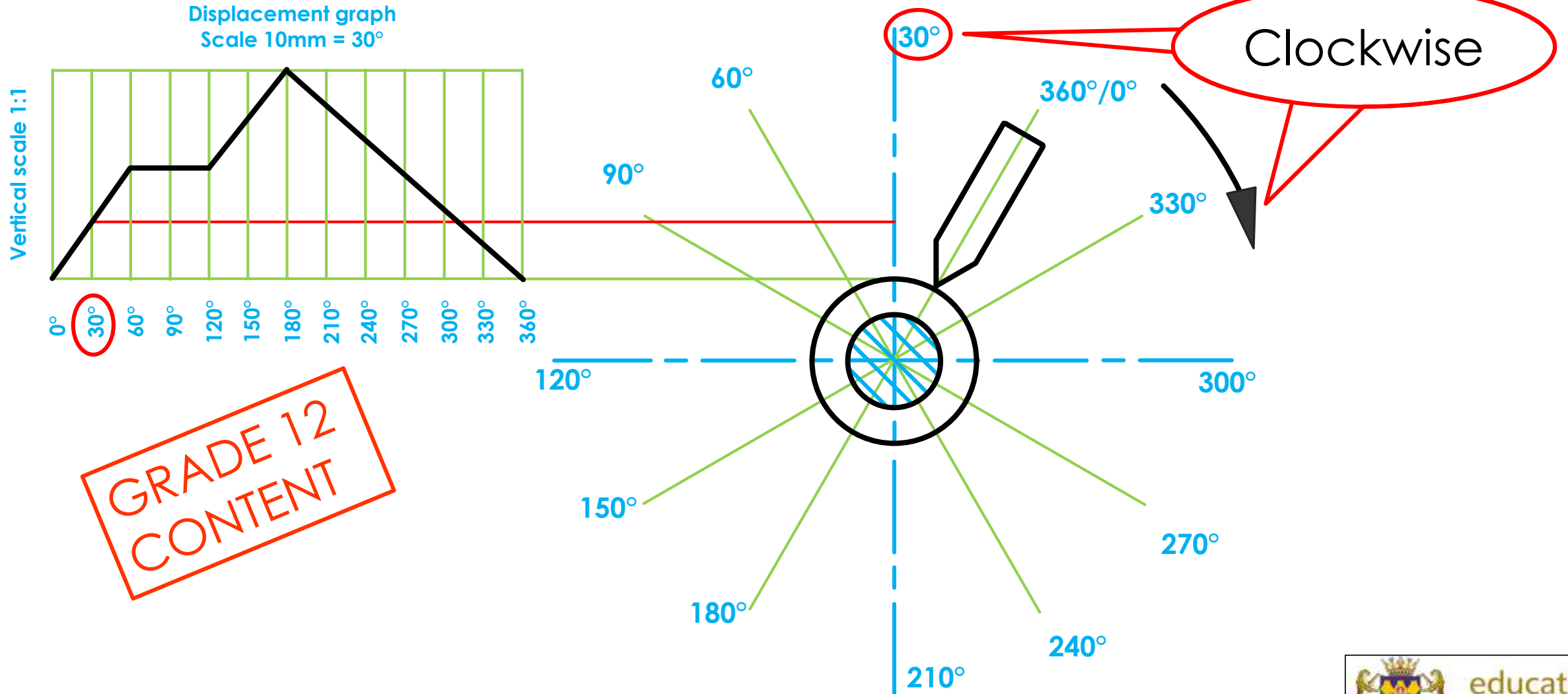
Loci of a CAM



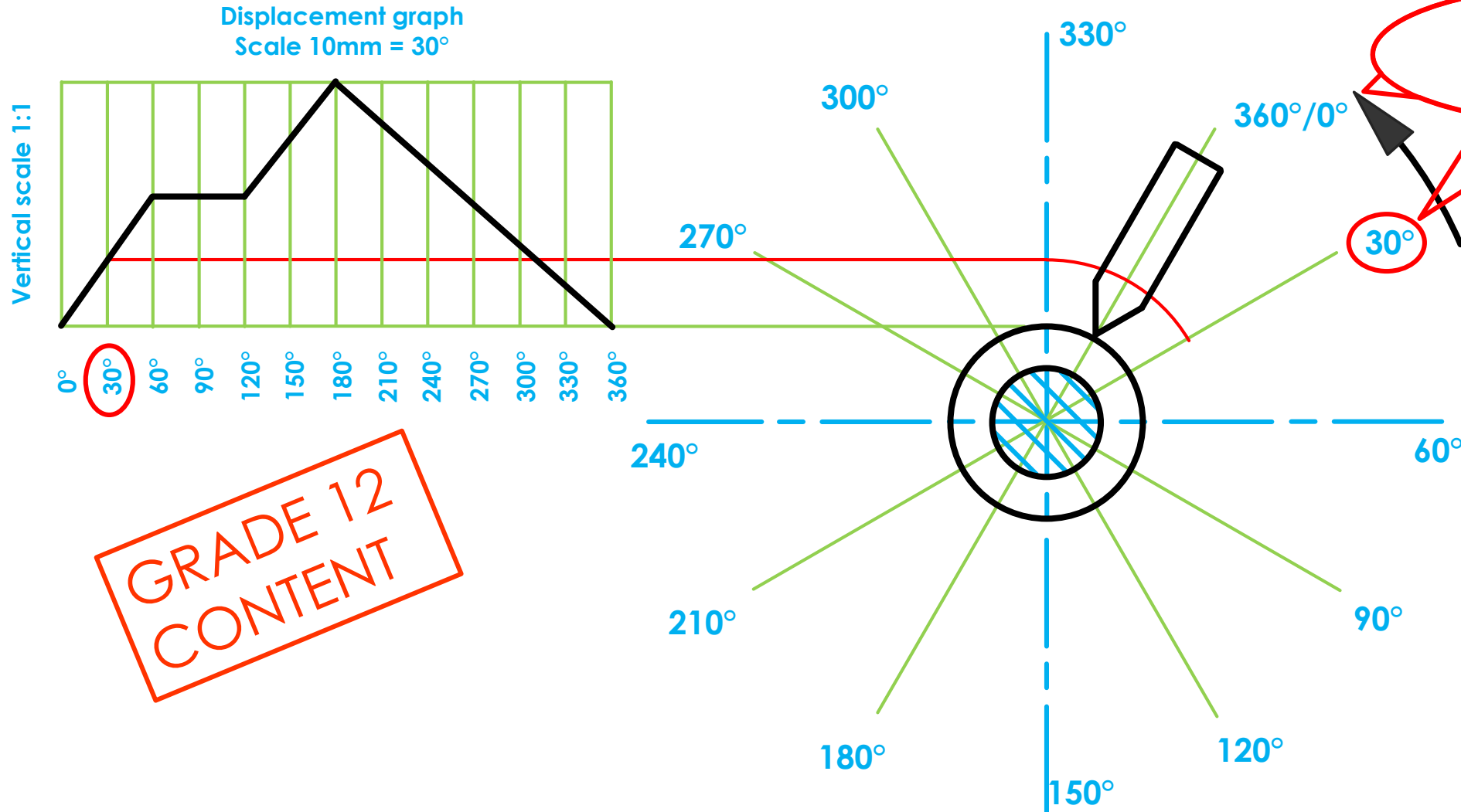
Loci of a CAM



Loci of a CAM

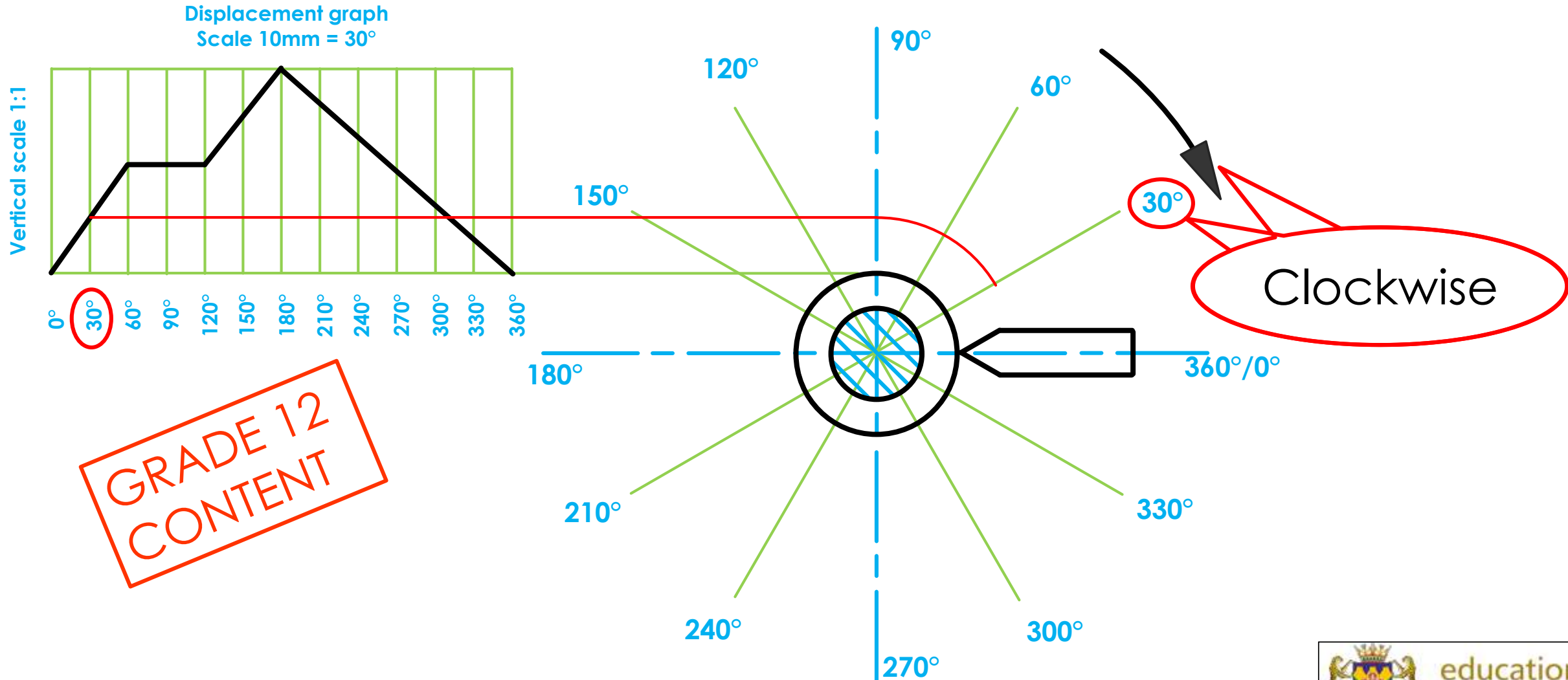


Loci of a CAM



GRADE 12
CONTENT

Loci of a CAM



GRADE 12
CONTENT

Loci of a CAM

