

**THE CONSTRUCTION**  
**INDUSTRY**  
**CIVIL DRAWINGS**  
**(SANS 10143 Symbols)**

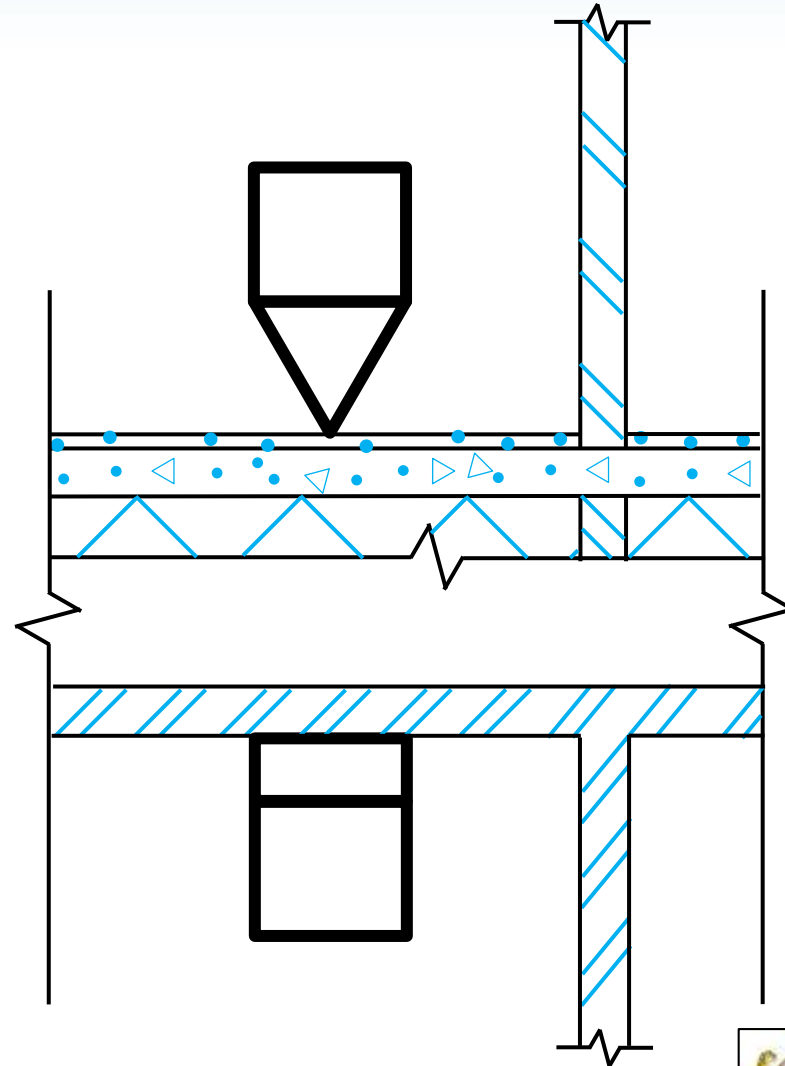
Developed by: PC Viljoen  
Senior Educational Specialist for  
Engineering Graphics and Design  
Free State Province

# PRESCRIBED CONTENT FOR GRADE 10 & 11

- **SANS 10143 Symbols**
- The floor plan showing the windows and doors.
- Elevation drawings.
- Sectional elevations showing the detail from the foundation to the roof ceiling.

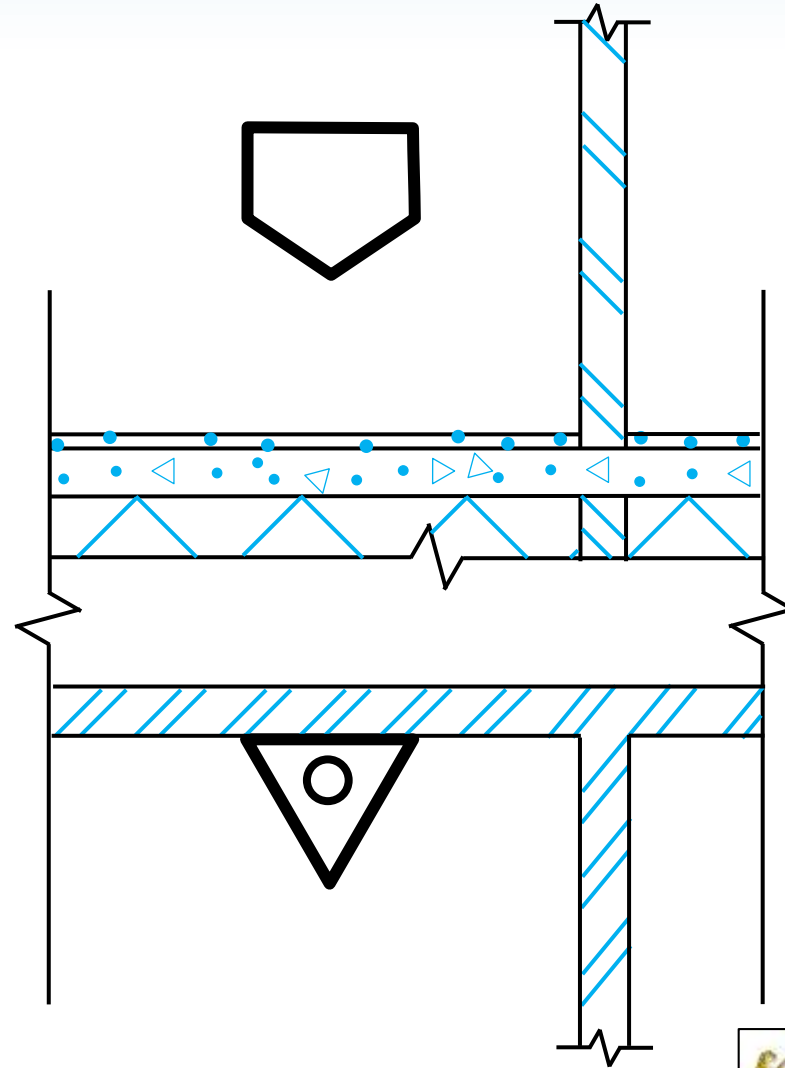
# SANS 10143 Symbols

- The conventional SANS representation of a **WATER-CLOSET PAN (TOILET) (WC)**



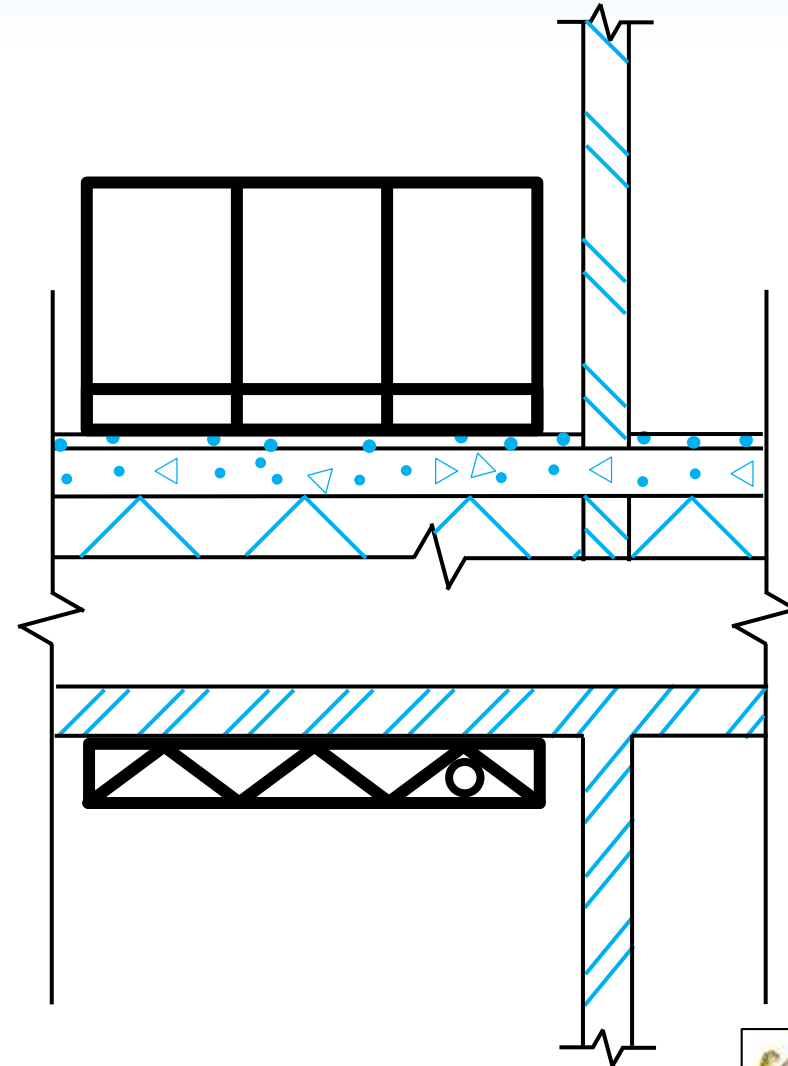
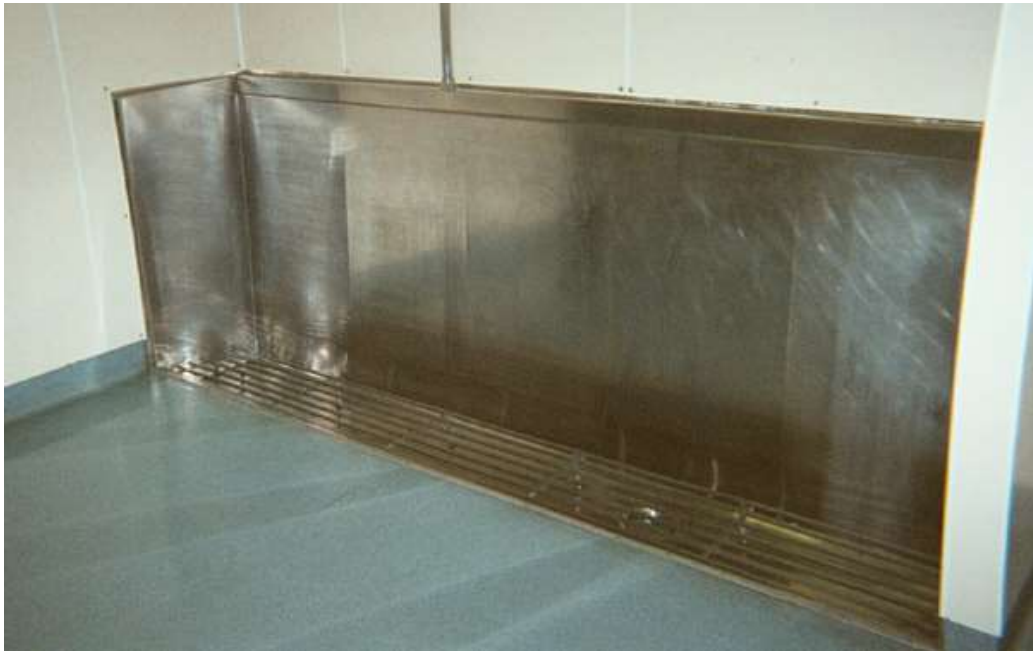
# SANS 10143 Symbols

- The conventional SANS representation of a **WALL MOUNTED URINAL (U)**



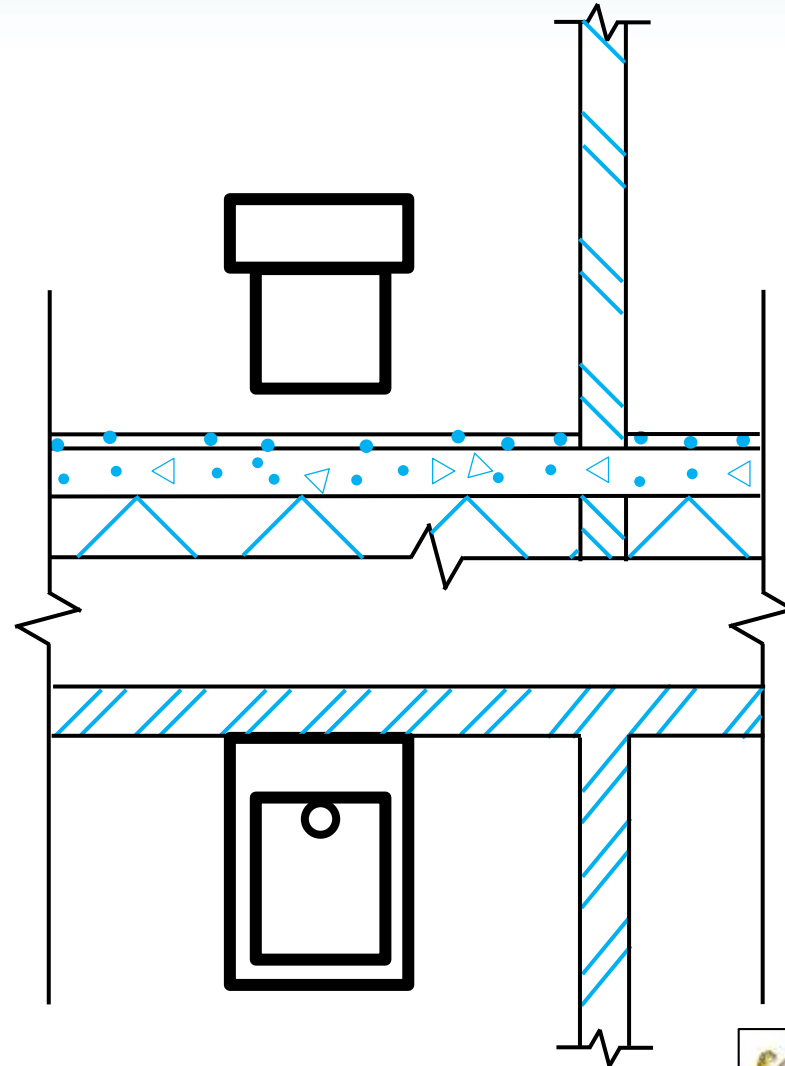
# SANS 10143 Symbols

- The conventional SANS representation of a **SLAB or STALL URINAL (U)**



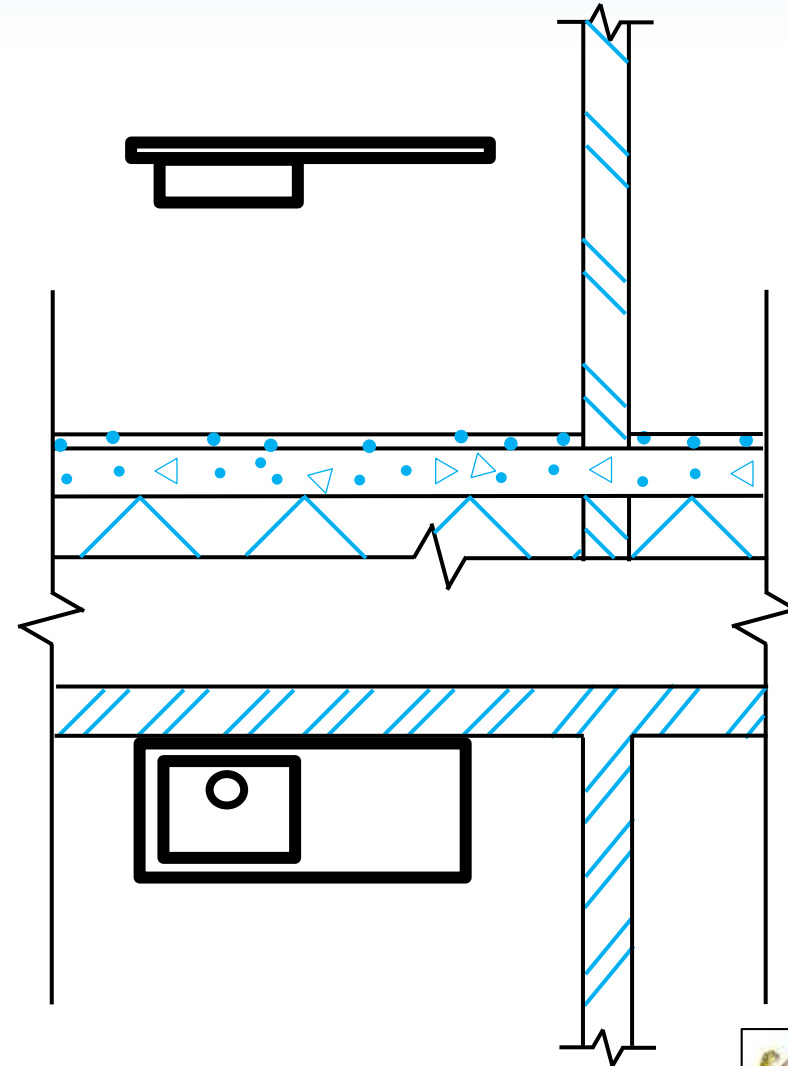
# SANS 10143 Symbols

The conventional SANS representation of a **BIDED** (State whether water supply is over or under the rim)



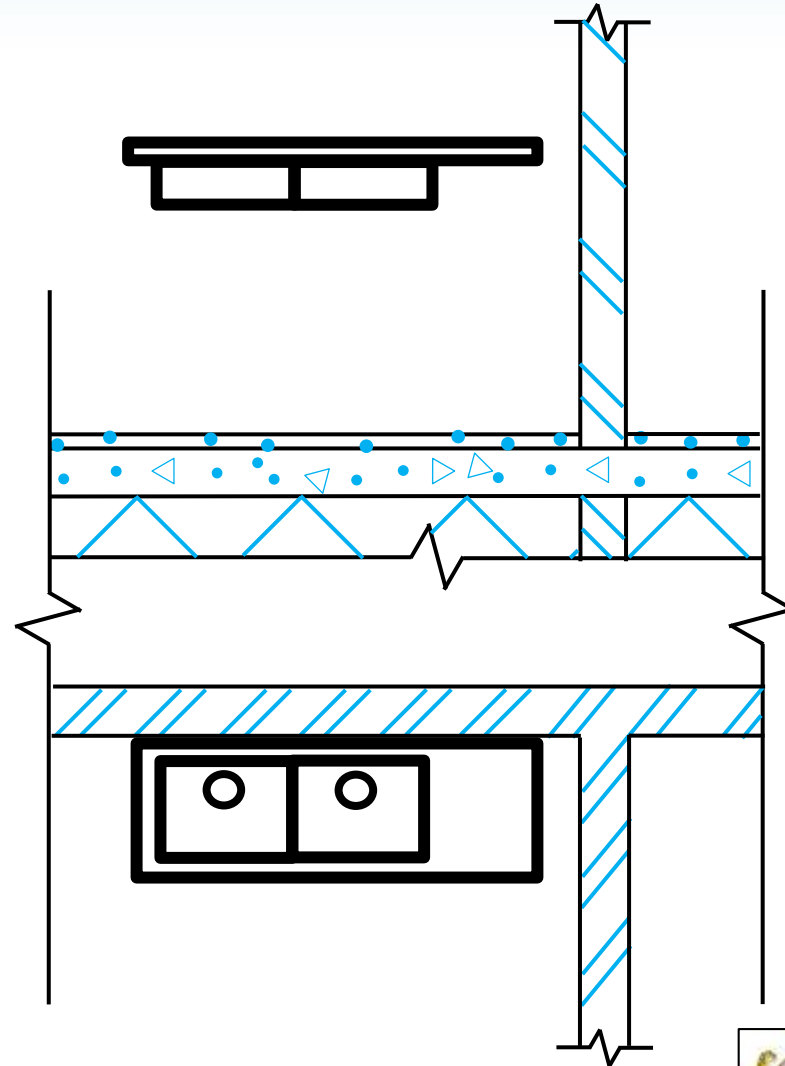
# SANS 10143 Symbols

- The conventional SANS representation of a **SINGLE SINK (S)**



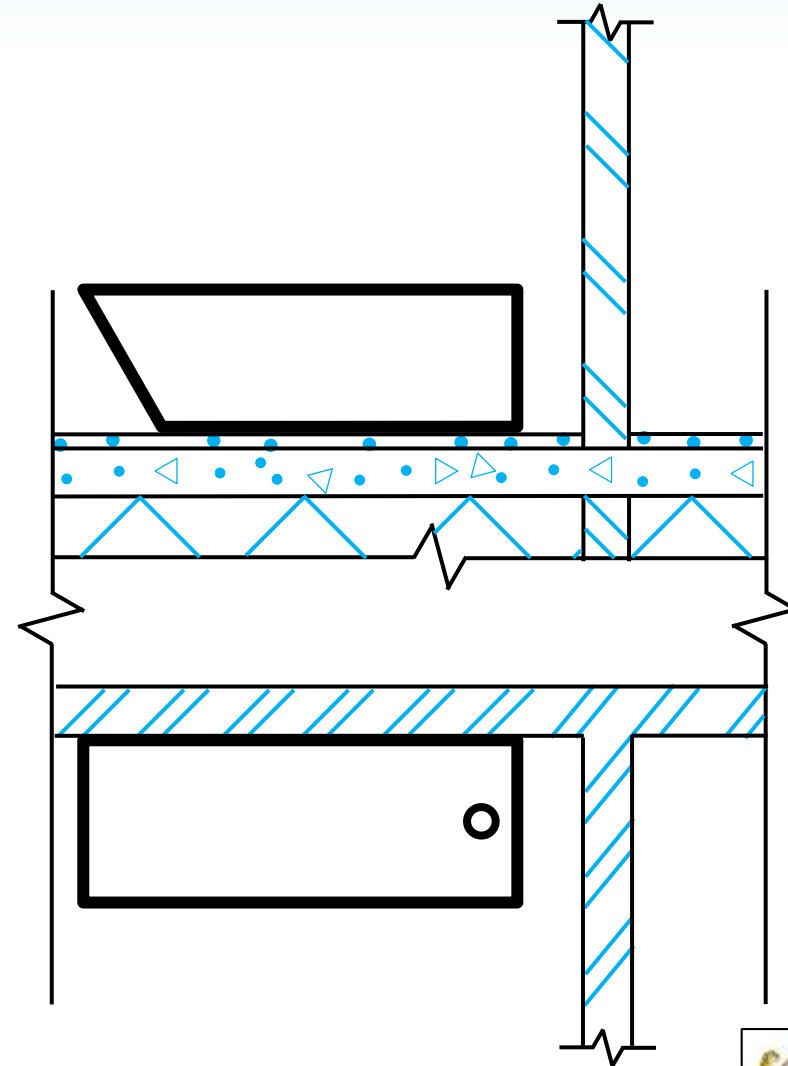
# SANS 10143 Symbols

- The conventional SANS representation of a **DOUBLE SINK (S)**



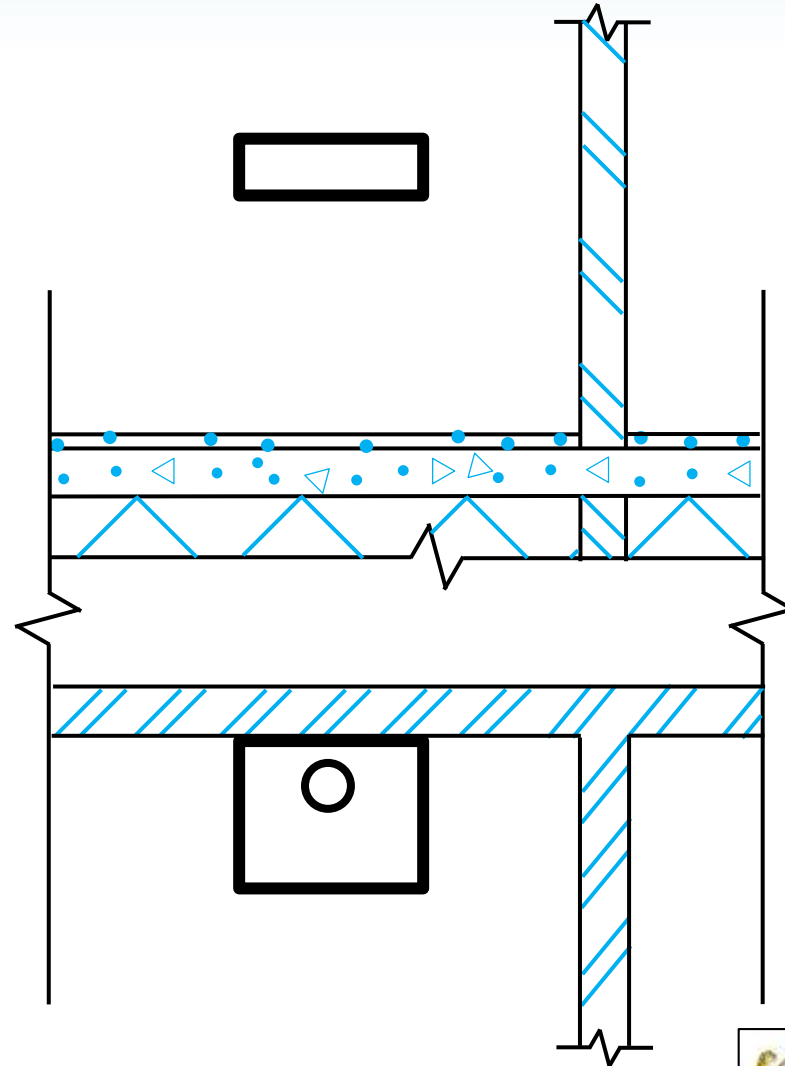
# SANS 10143 Symbols

- The conventional SANS representation of a **BATH (B)**



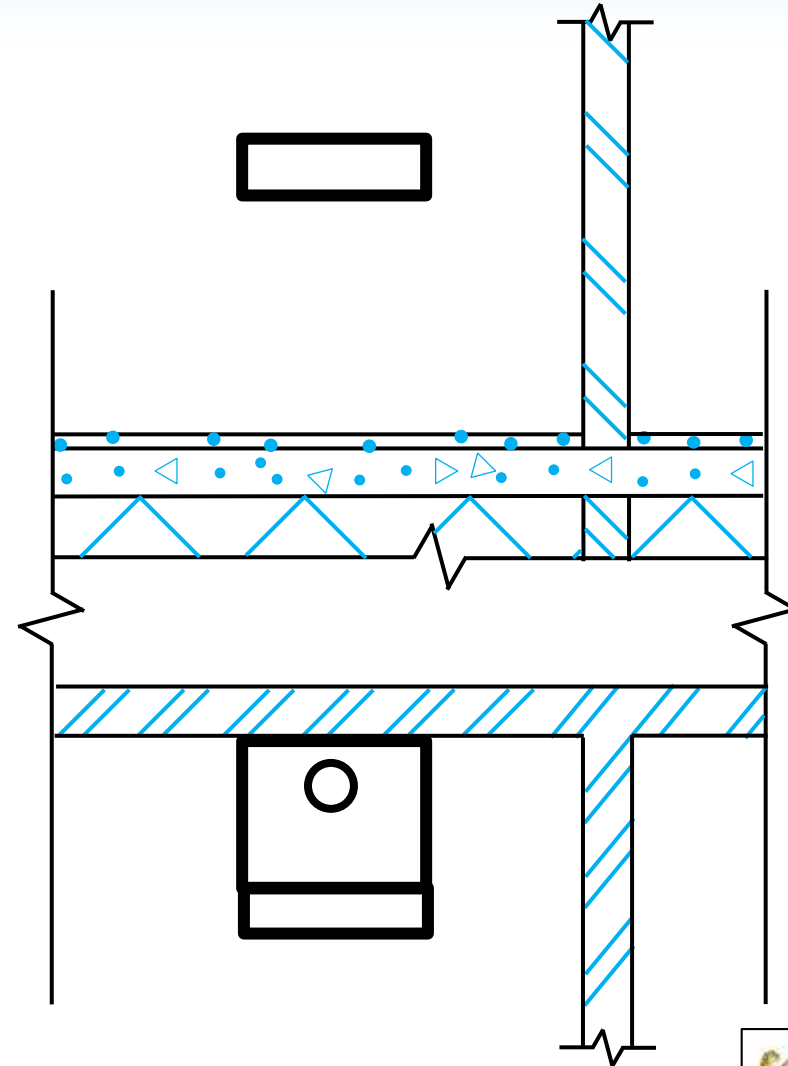
# SANS 10143 Symbols

- The conventional SANS representation of a **WASH BASIN (WB)**



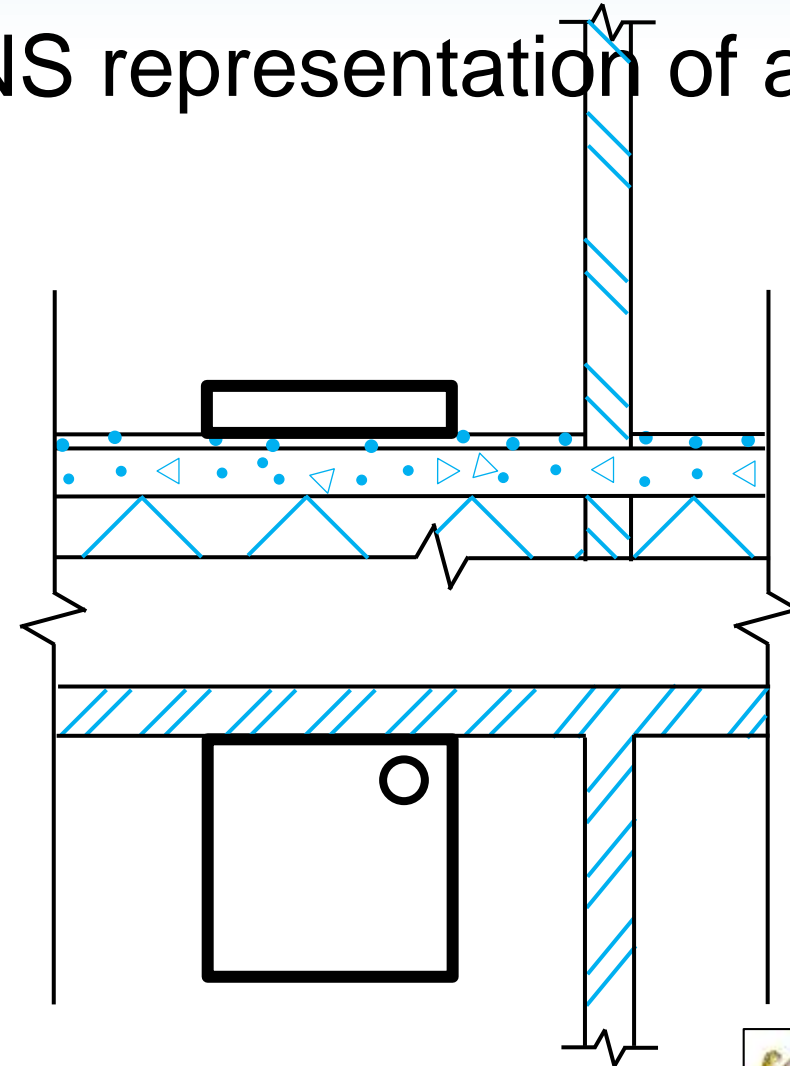
# SANS 10143 Symbols

- The conventional SANS representation of a **WASH TROUGH (WT)**



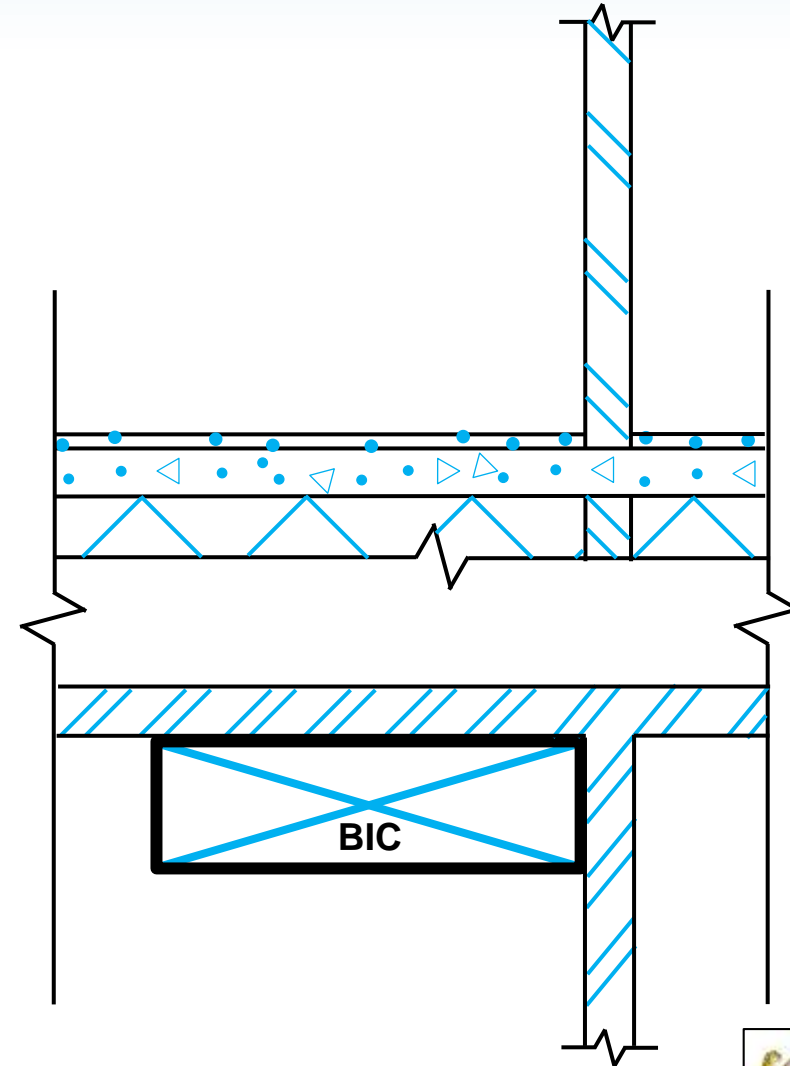
# SANS 10143 Symbols

- The conventional SANS representation of a **SHOWER (SH)**



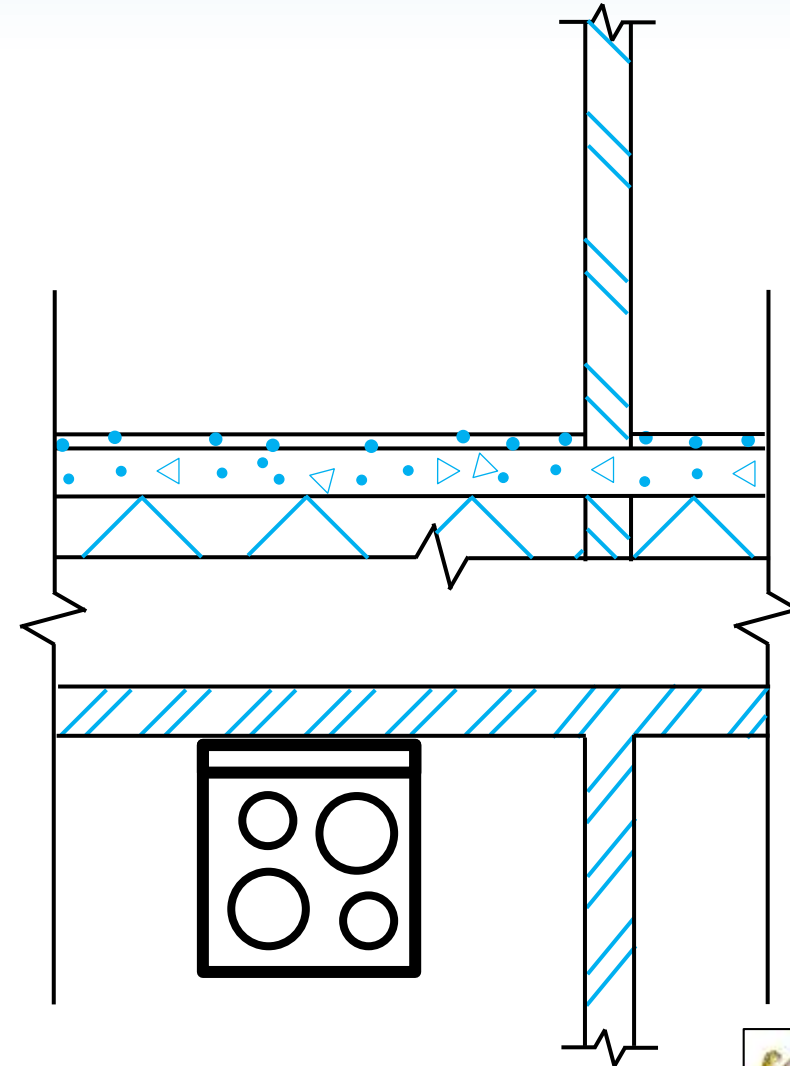
# SANS 10143 Symbols

- The conventional SANS representation of a **BUILD IN CABINET (BIC)**



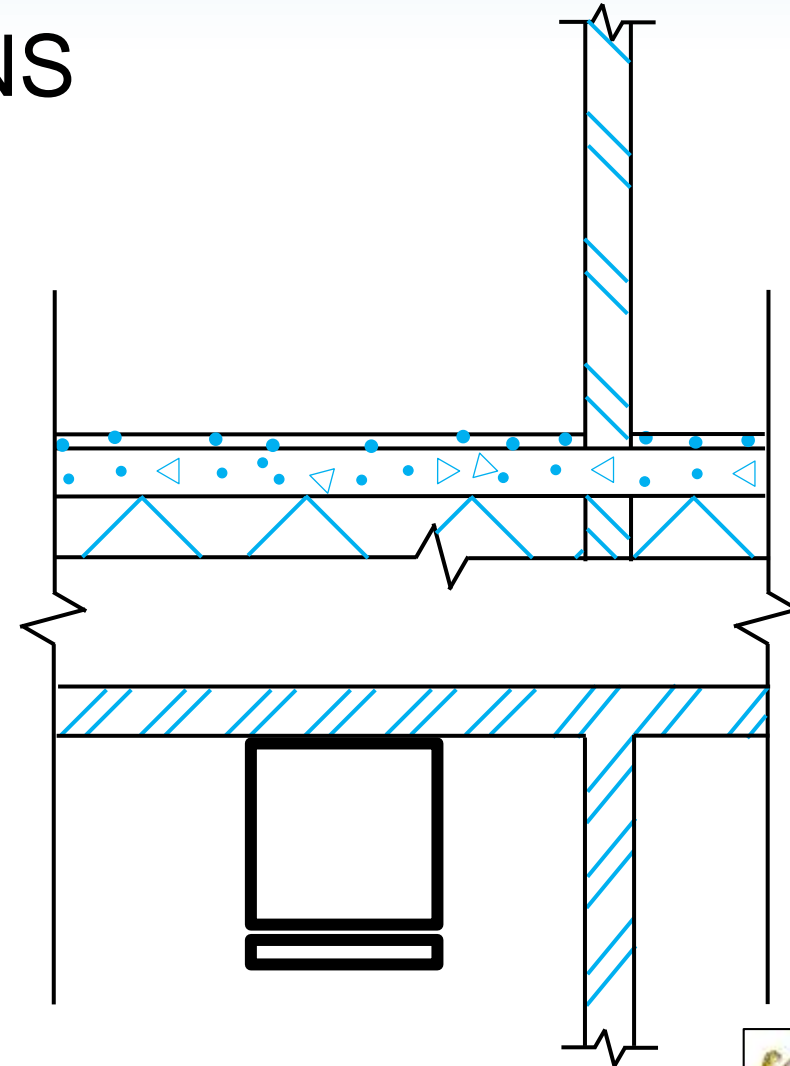
# SANS 10143 Symbols

- The conventional SANS representation of a **STOVE**



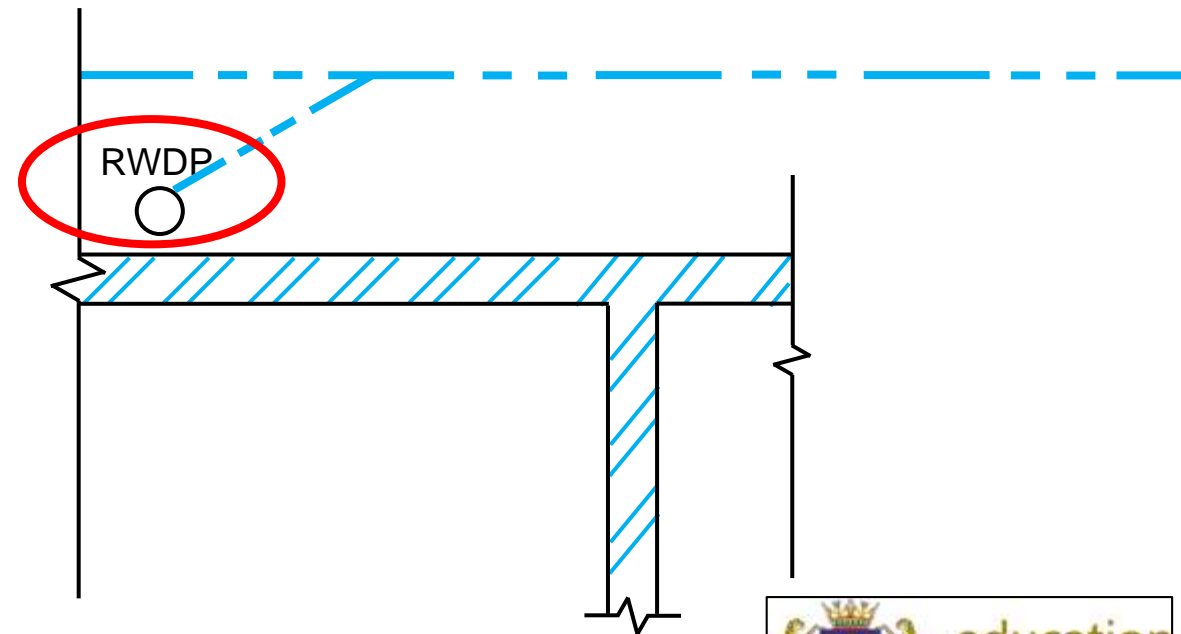
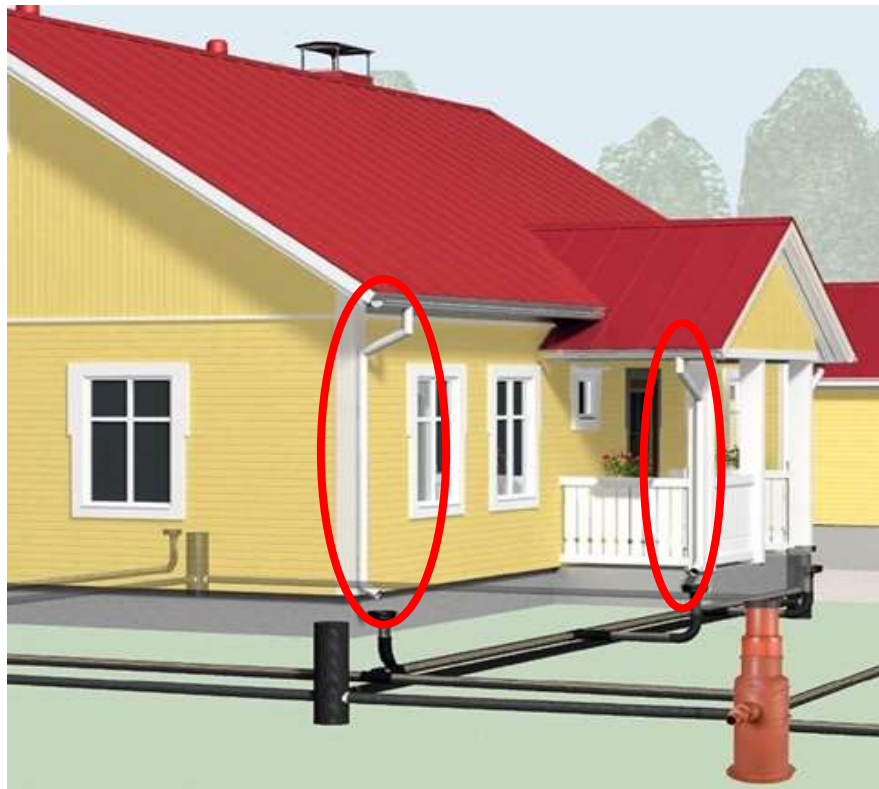
# SANS 10143 Symbols

- The conventional SANS representation of a **FRIDGE**



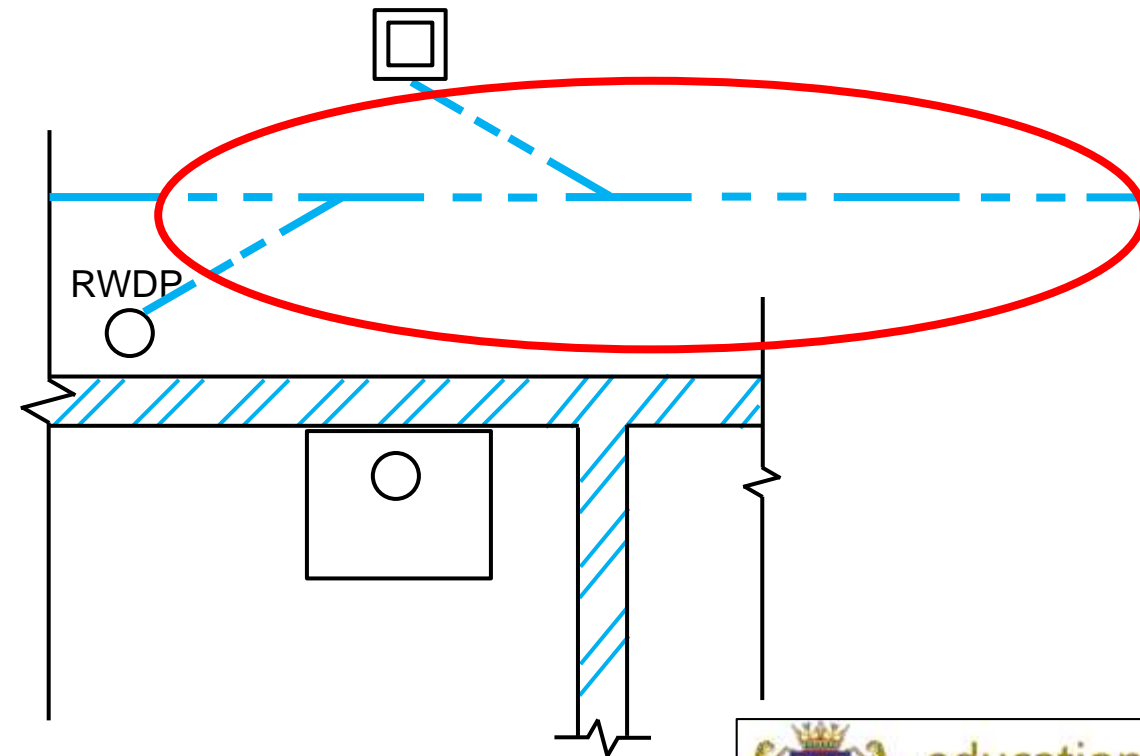
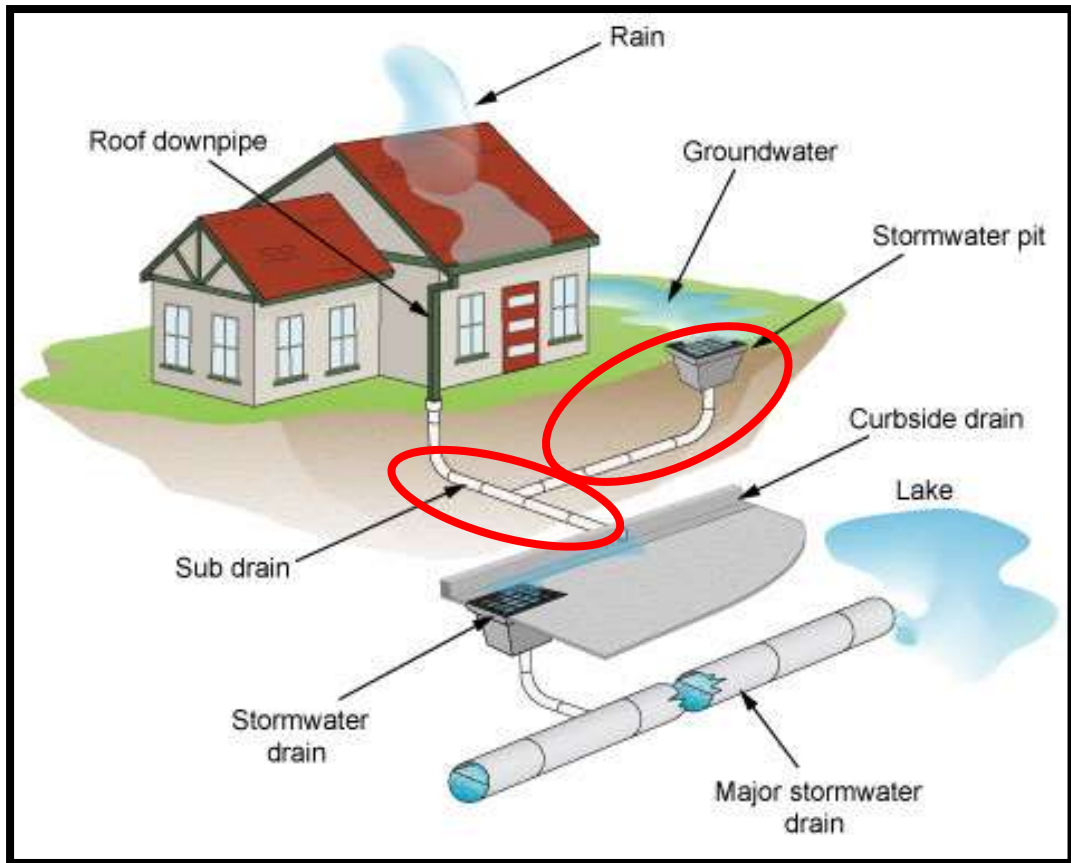
# SANS 10143 Symbols

- The conventional SANS representation of a **RAIN WATER DOWN PIPES (RWDP)**



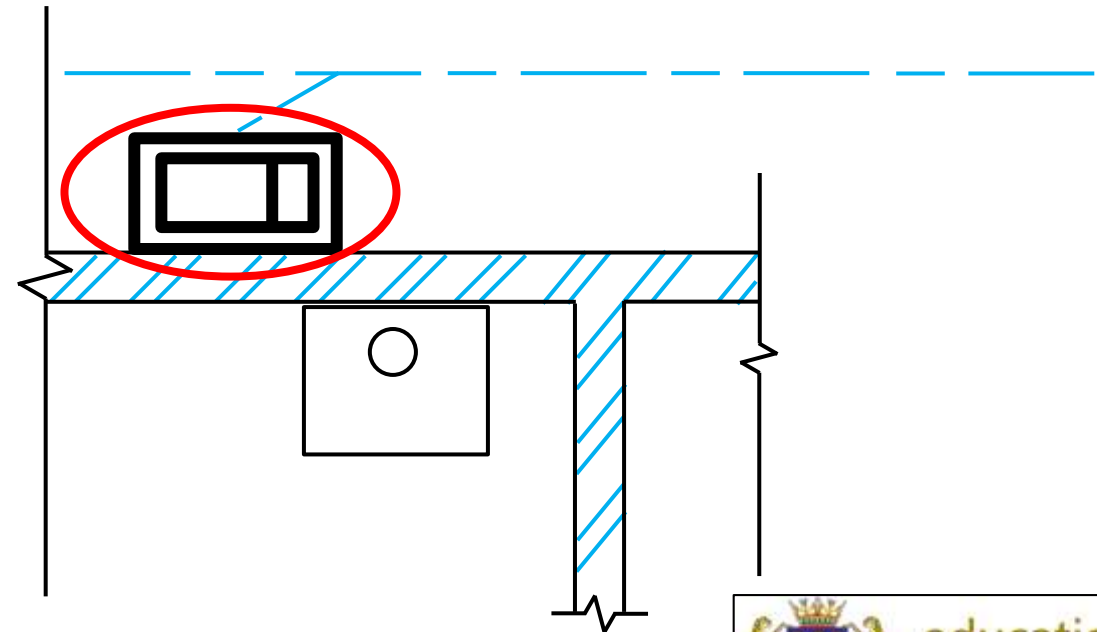
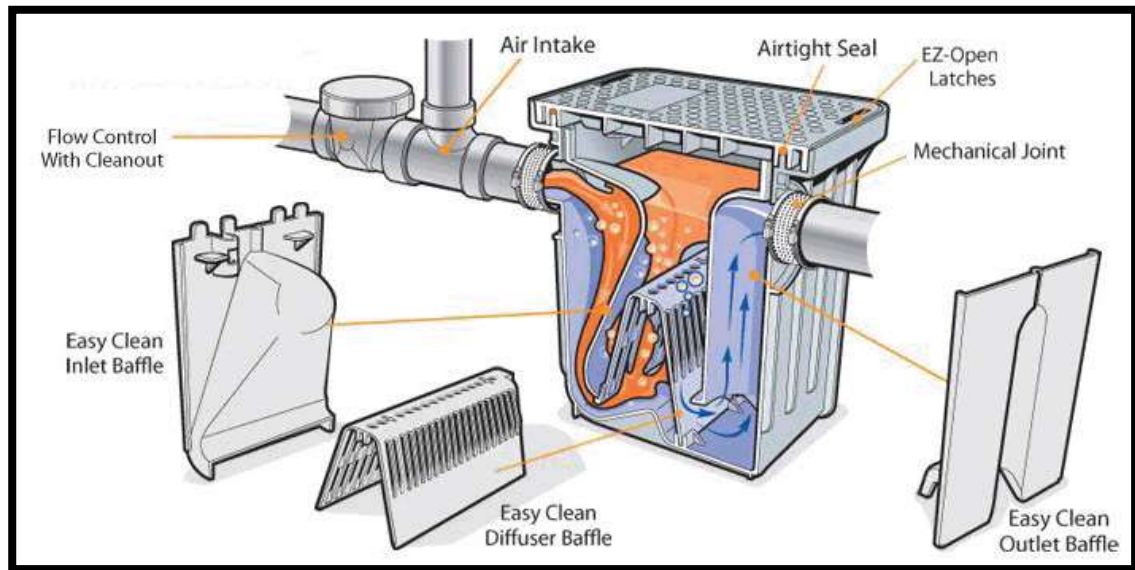
# SANS 10143 Symbols

- The conventional SANS representation of a **STORMWATER PIPES**



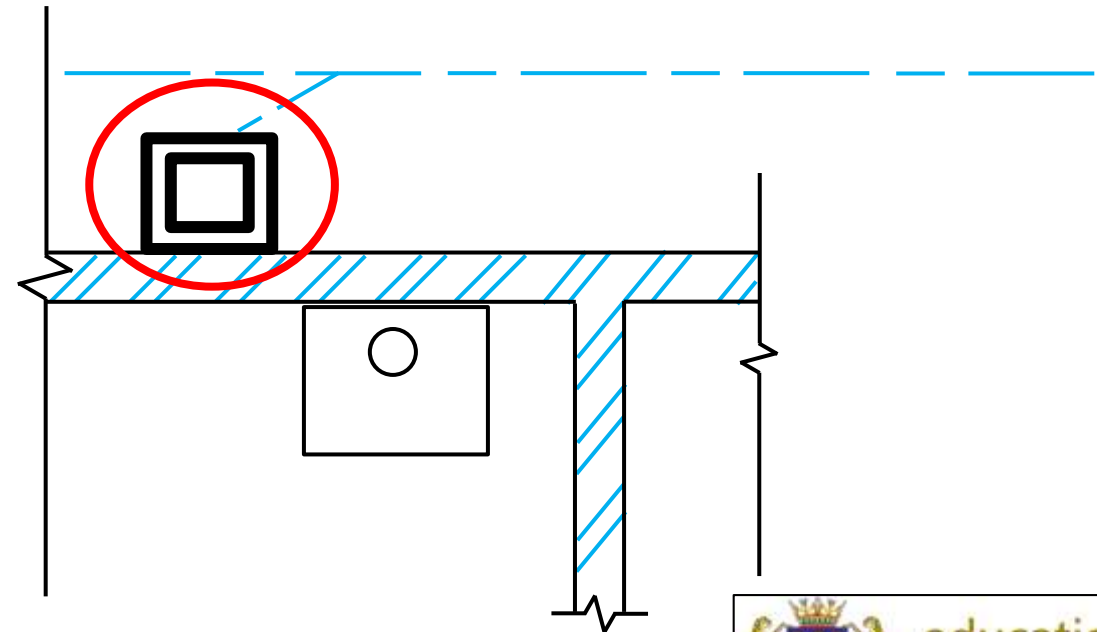
# SANS 10143 Symbols

- The conventional SANS representation of a **GREASE TRAP**



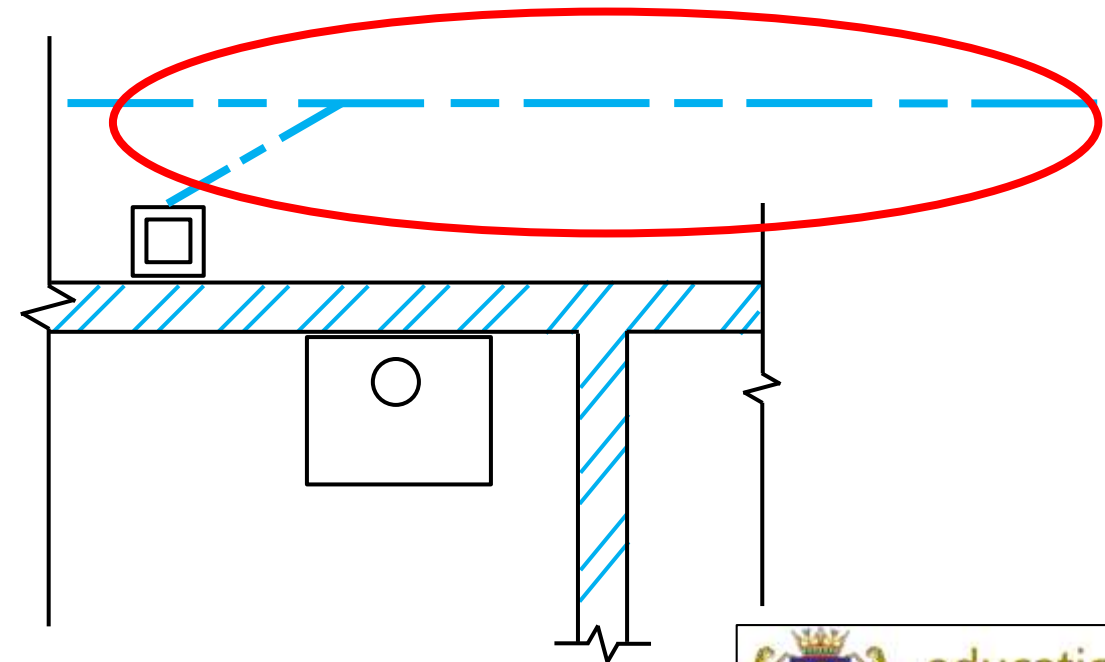
# SANS 10143 Symbols

- The conventional SANS representation of a **GULLY**



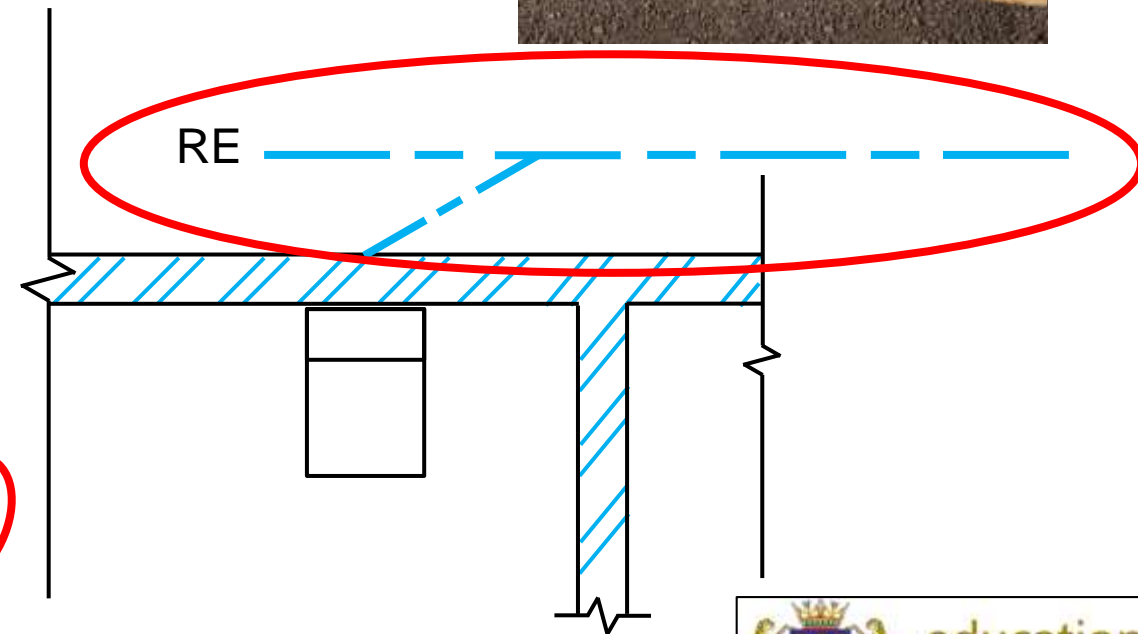
# SANS 10143 Symbols

- The conventional SANS representation of a **SEWER PIPES**



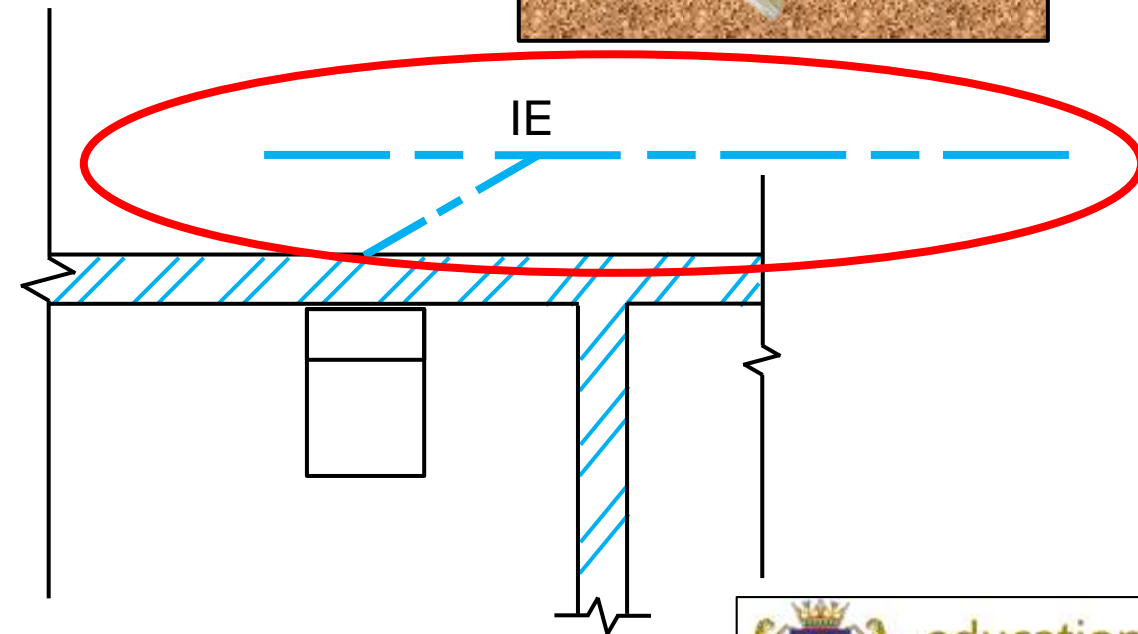
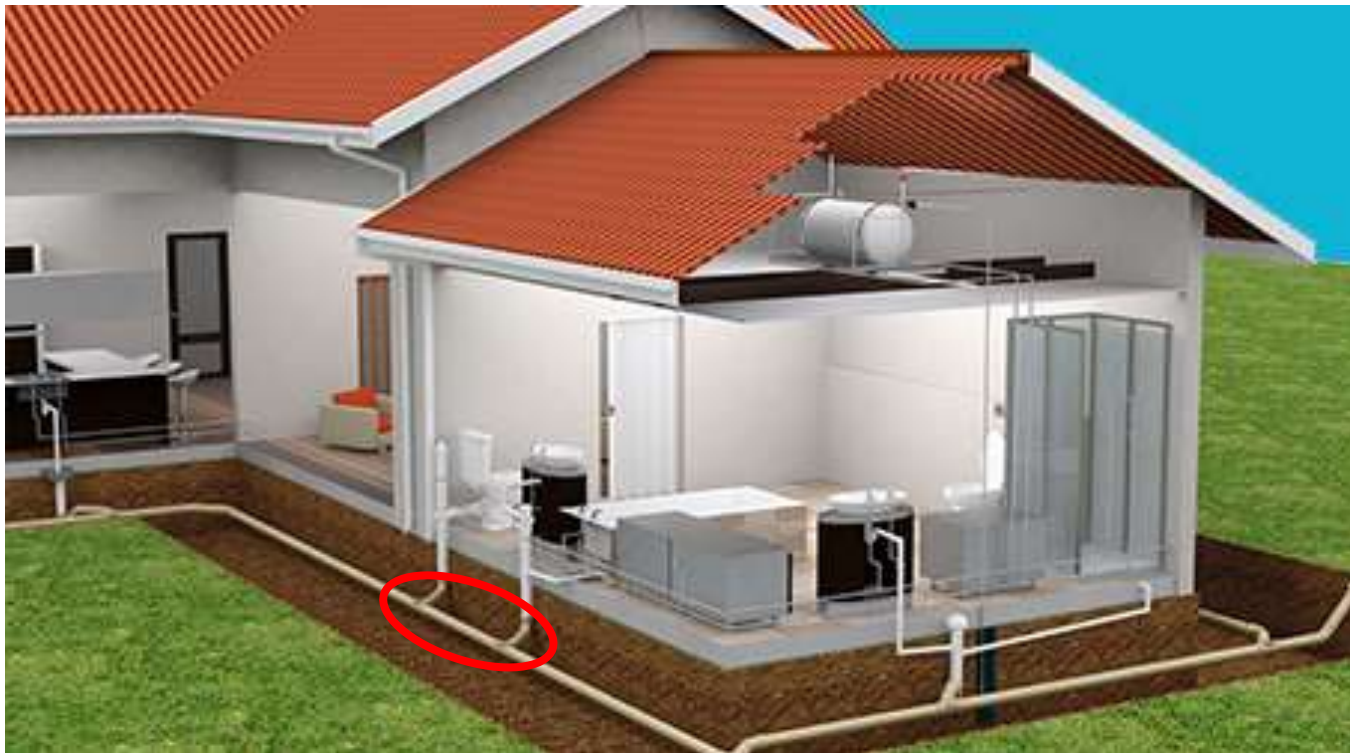
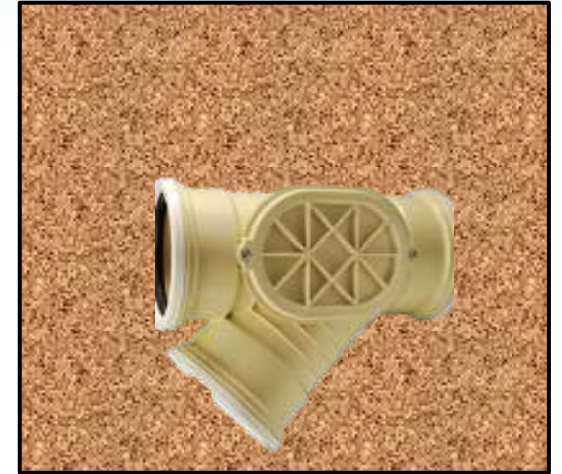
# SANS 10143 Symbols

- **RODDING EYE** in a sewer pipe



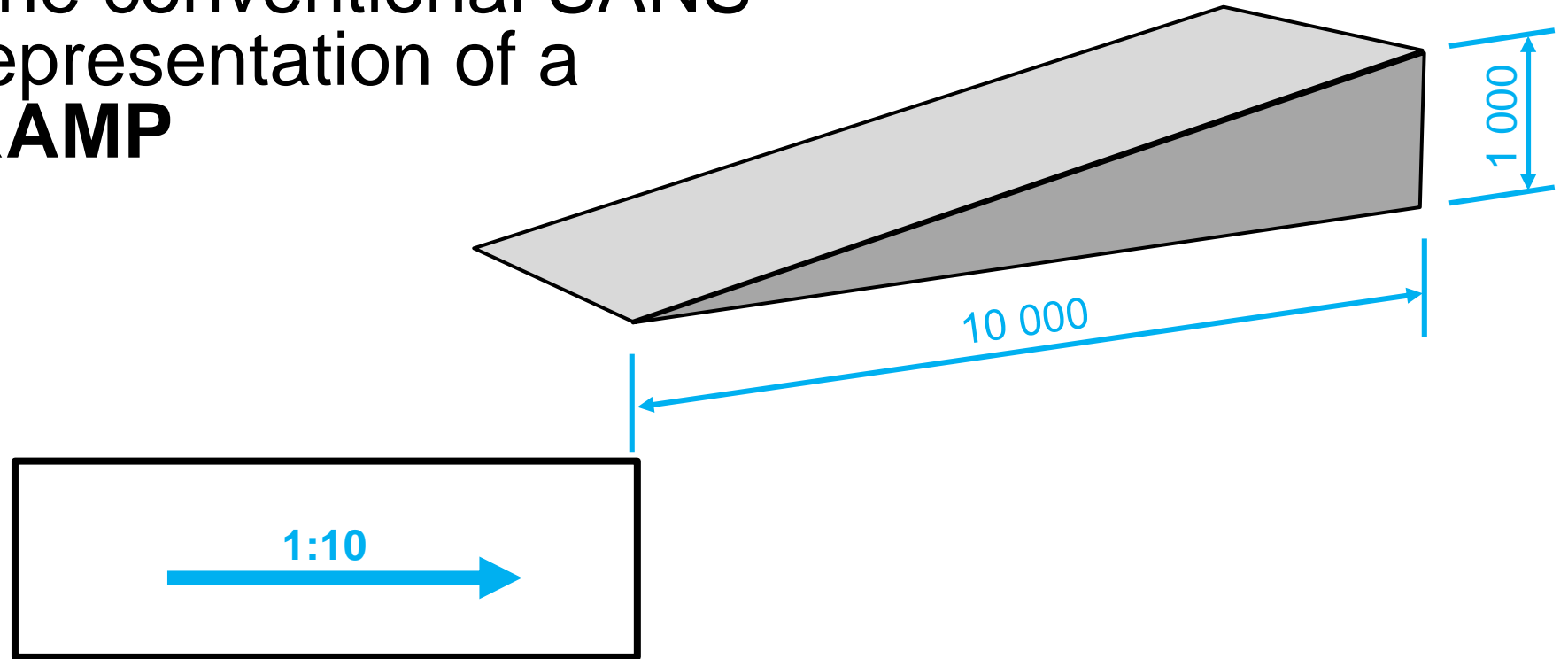
# SANS 10143 Symbols

- **INSPECTION EYE** in a sewer pipe



# SANS 10143 Symbols

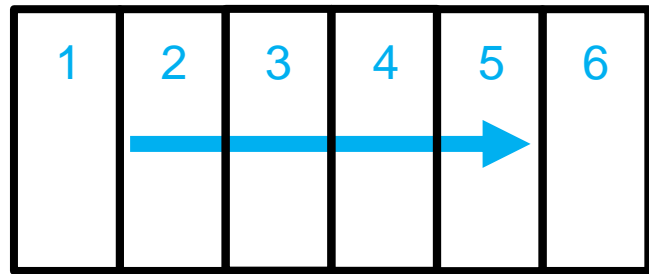
- The conventional SANS representation of a **RAMP**



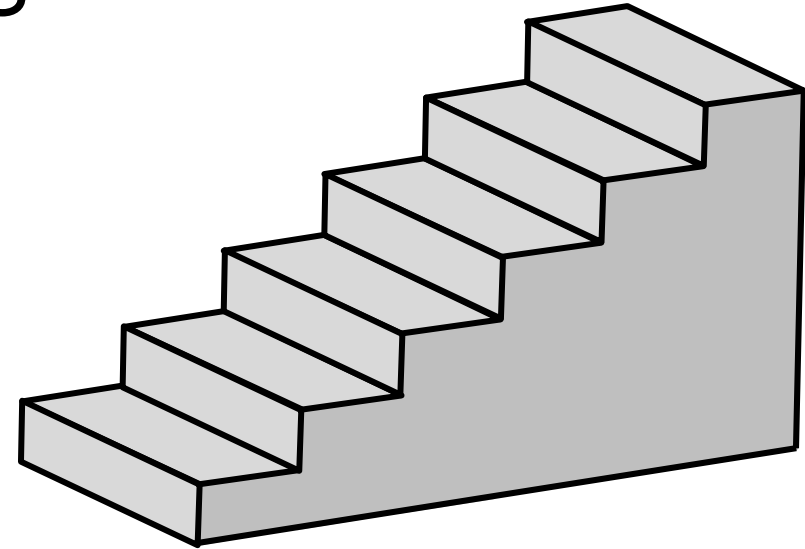
**ARROW INDICATES UPWARDS**

# SANS 10143 Symbols

- The conventional SANS representation of a **STAIRCASE**

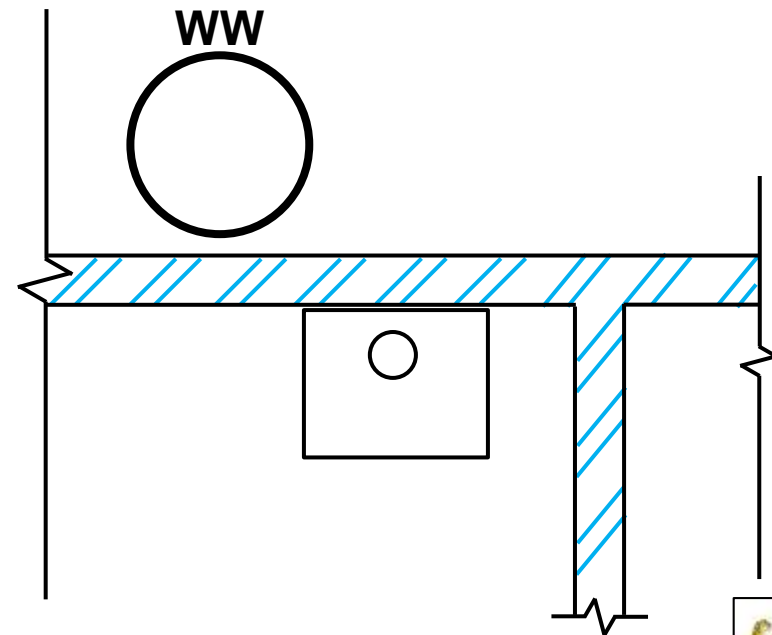


**ARROW INDICATES UPWARDS**



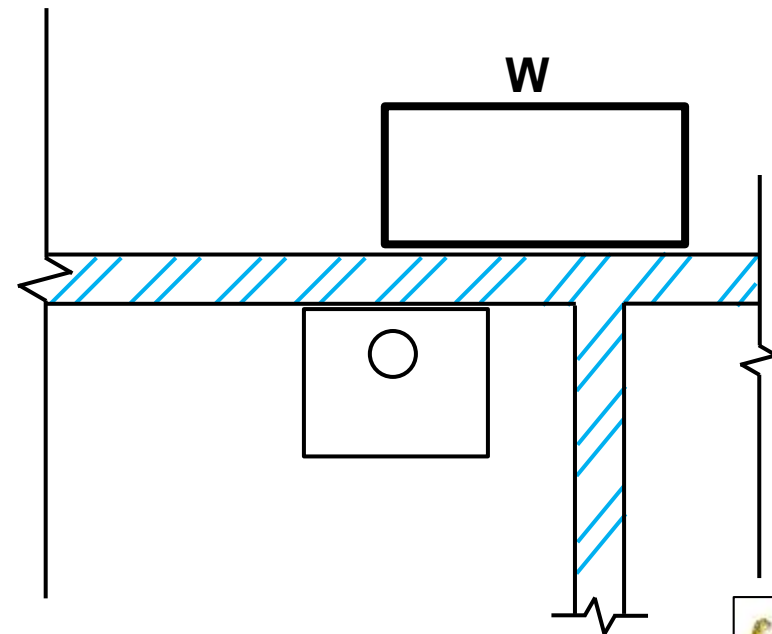
# SANS 10143 Symbols

- The conventional SANS representation of a **HOT WATER CYLINDER (GEYSER)**



# SANS 10143 Symbols

- The conventional SANS representation of a **WATER TANK**



# SANS 10143 Symbols

- The conventional SANS representation of a **WATER METER**

