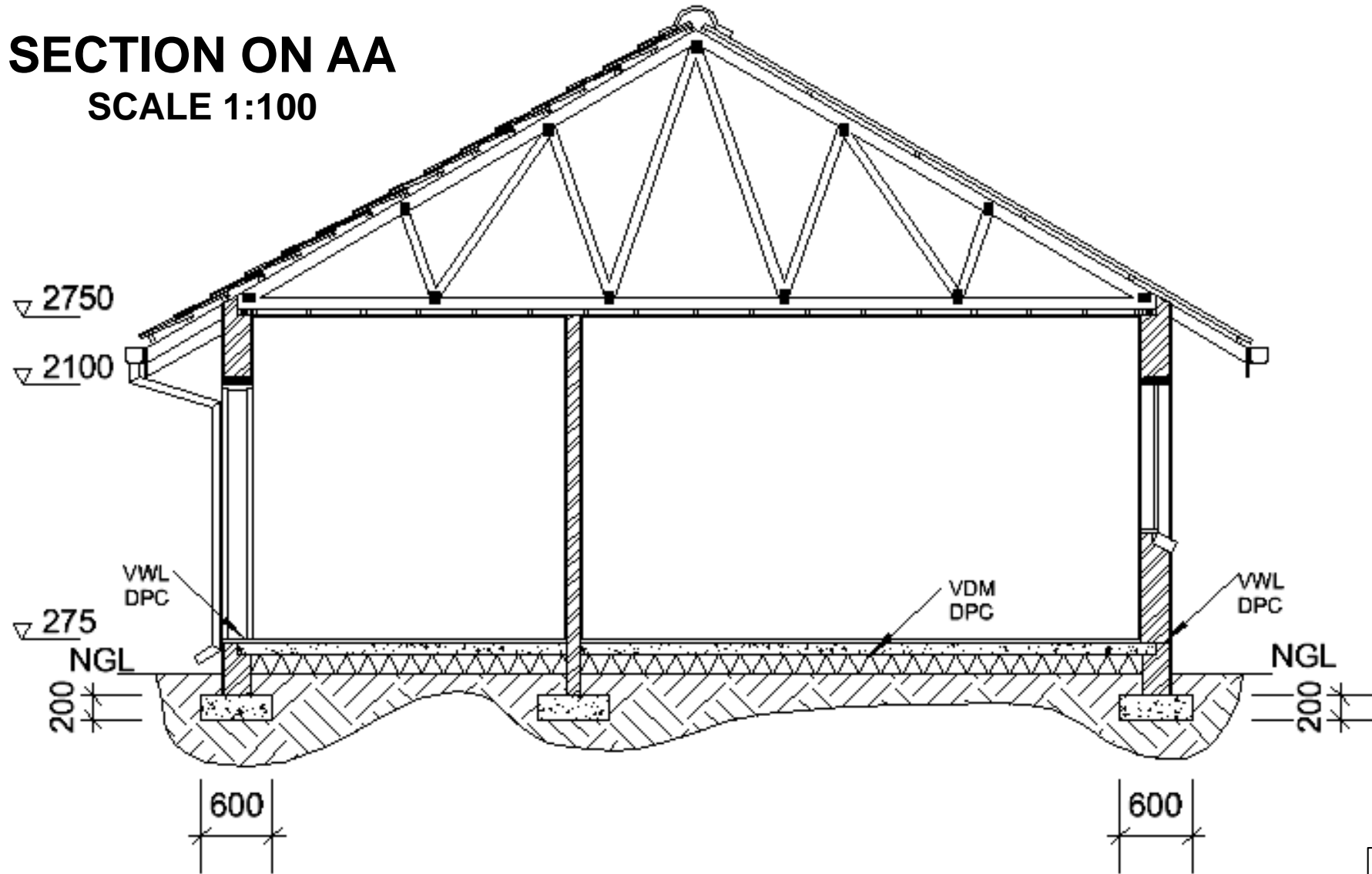


THE CONSTRUCTION
INDUSTRY
CIVIL DRAWINGS
Gabled roof trusses
or Lean-to roof trusses
Buttons and
Purlins

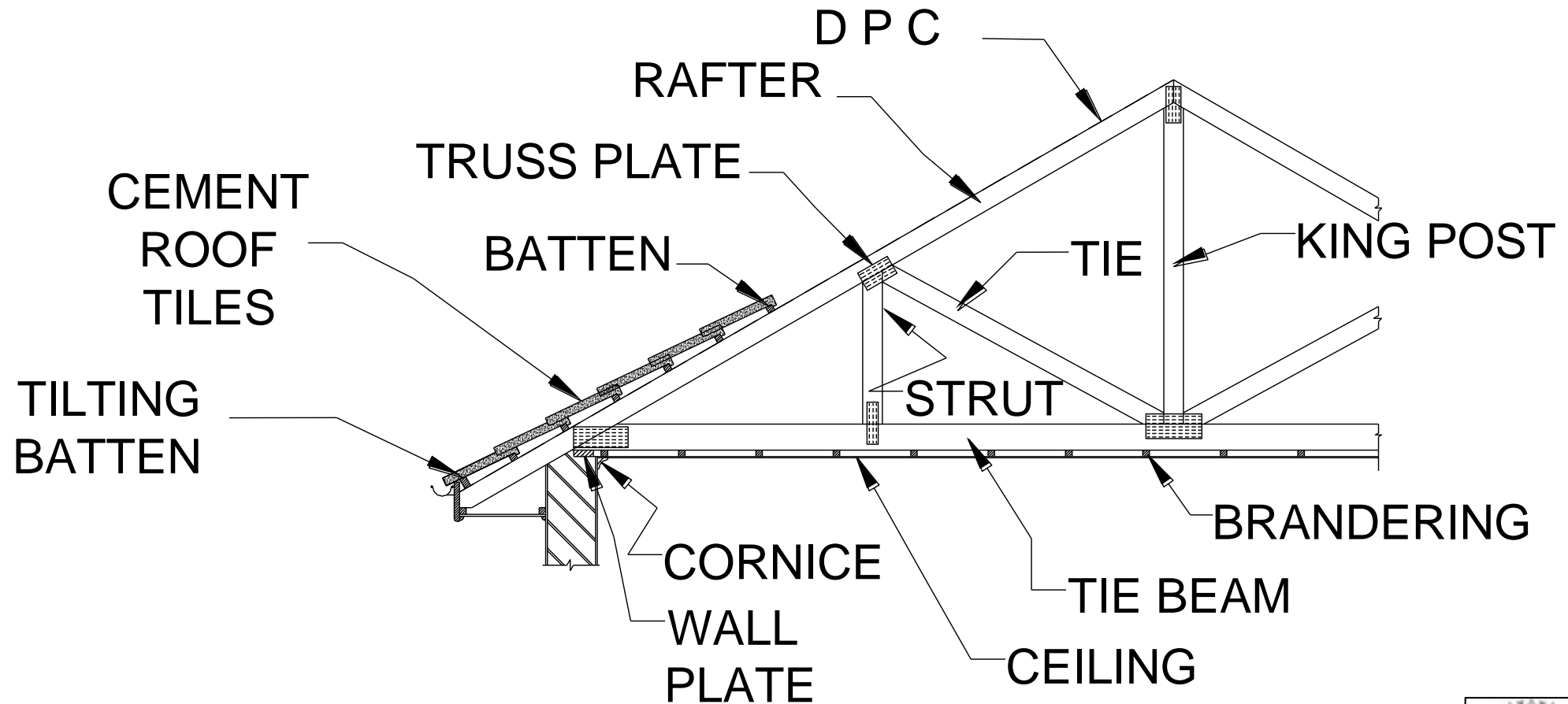
Developed by: PC Viljoen
Senior Educational Specialist for
Engineering Graphics and Design
Free State Province

A SECTIONAL VIEW (Grade 12)

SECTION ON AA
SCALE 1:100



ROOF DETAIL TERMONOLOGY



ROOF DETAIL (Roof Profiles)

- Roof profiles at different angles

FINK



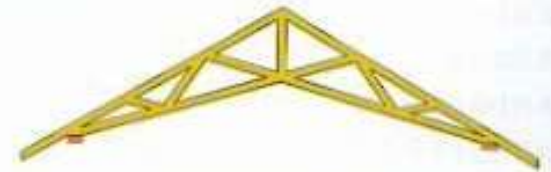
BOBTAIL



RAISED TIE SCISSORS



SCISSORS



DOUBLE W



FAN



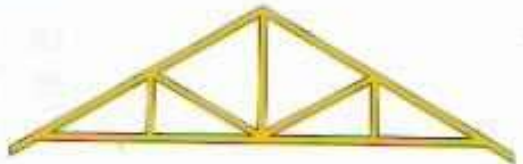
PARALLEL CHORD



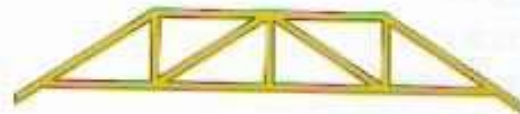
LOW PROFILE



HOWE GIRDER



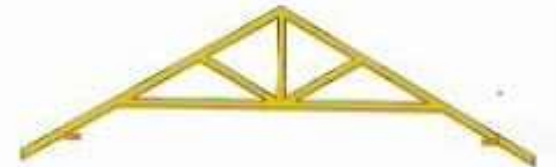
FLAT TOP



CLERESTORY

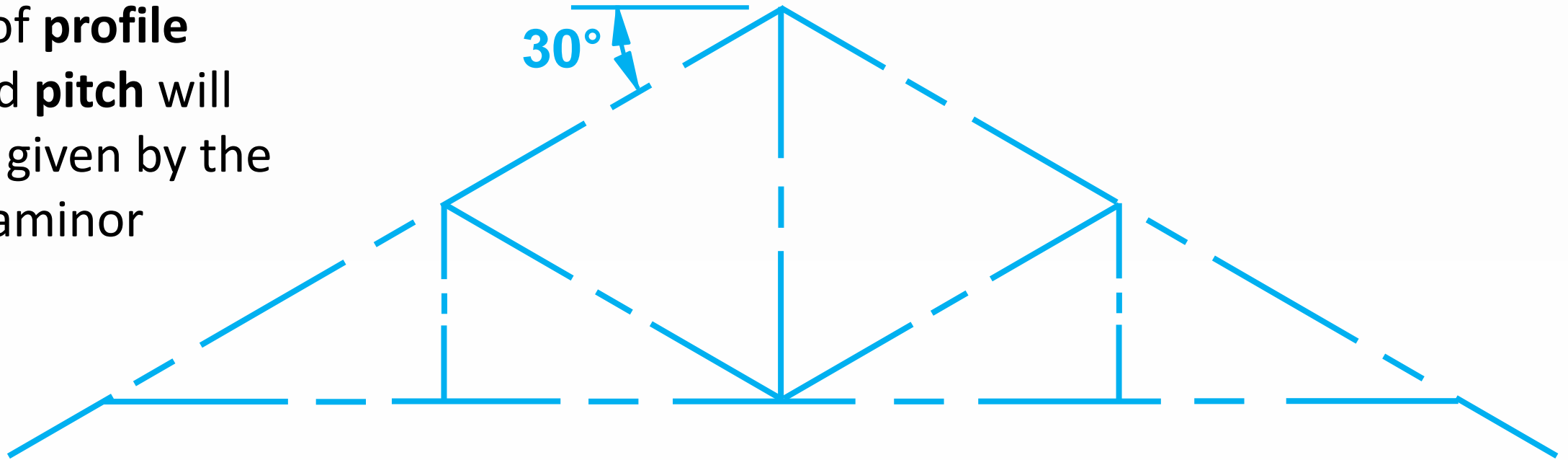


RAISED TIE



ROOF DETAIL (Roof Profiles)

- The required roof **profile** and **pitch** will be given by the examiner

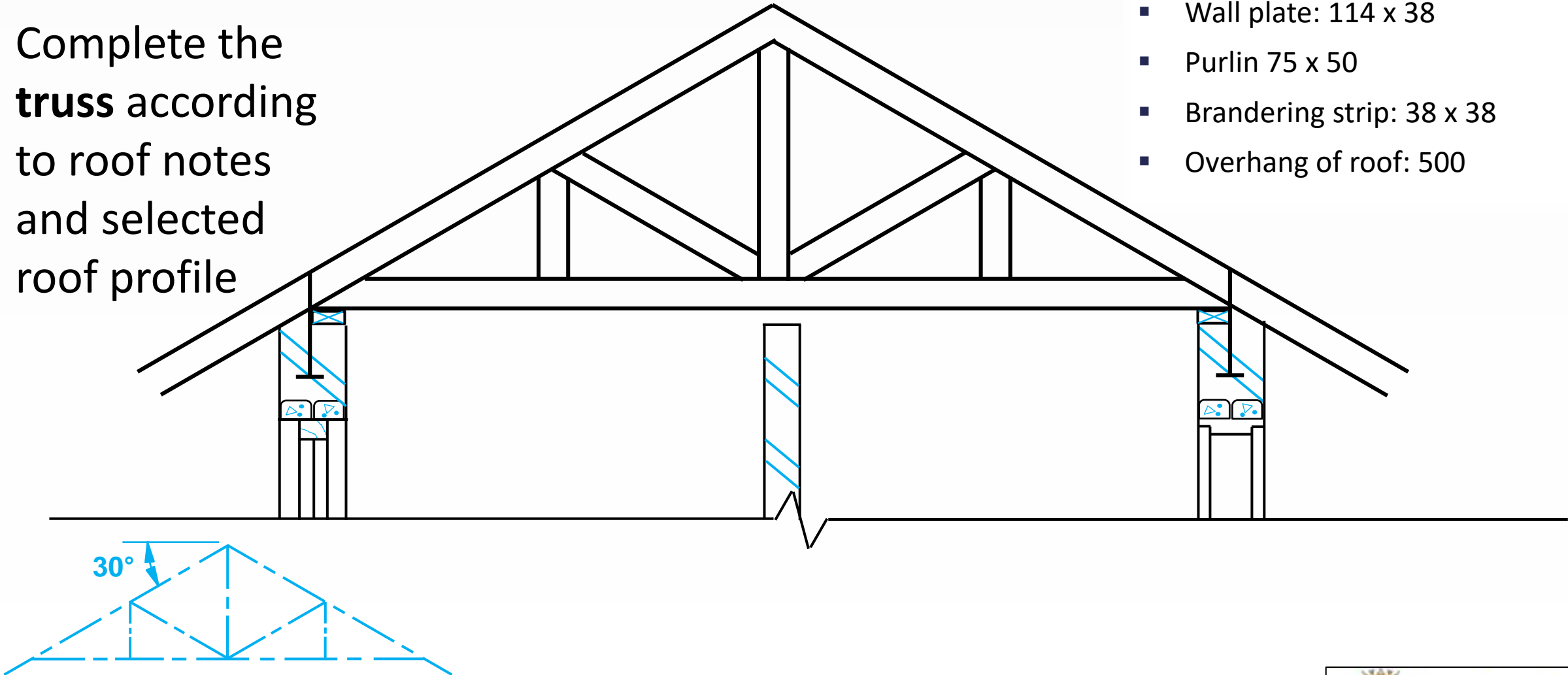


ROOF DETAIL (Truss)

- Complete the **truss** according to roof notes and selected roof profile

ROOF NOTES

- Tie beam: 114 x 38
- Rafter: 114 x 38
- Wall plate: 114 x 38
- Purlin 75 x 50
- Brandering strip: 38 x 38
- Overhang of roof: 500

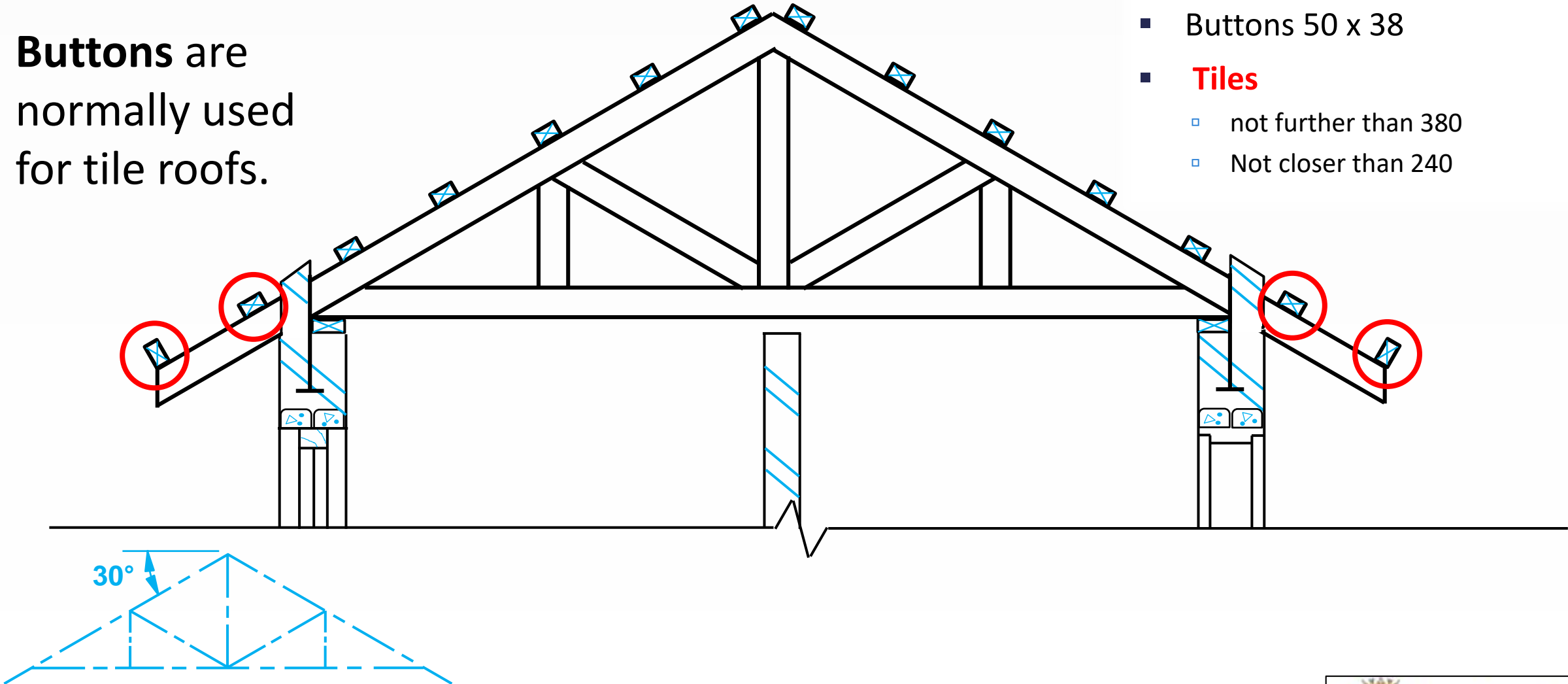


ROOF DETAIL (Buttons)

- **Buttons** are normally used for tile roofs.

ROOF NOTES

- Buttons 50 x 38
- **Tiles**
 - not further than 380
 - Not closer than 240



ROOF DETAIL (Roof coverage)

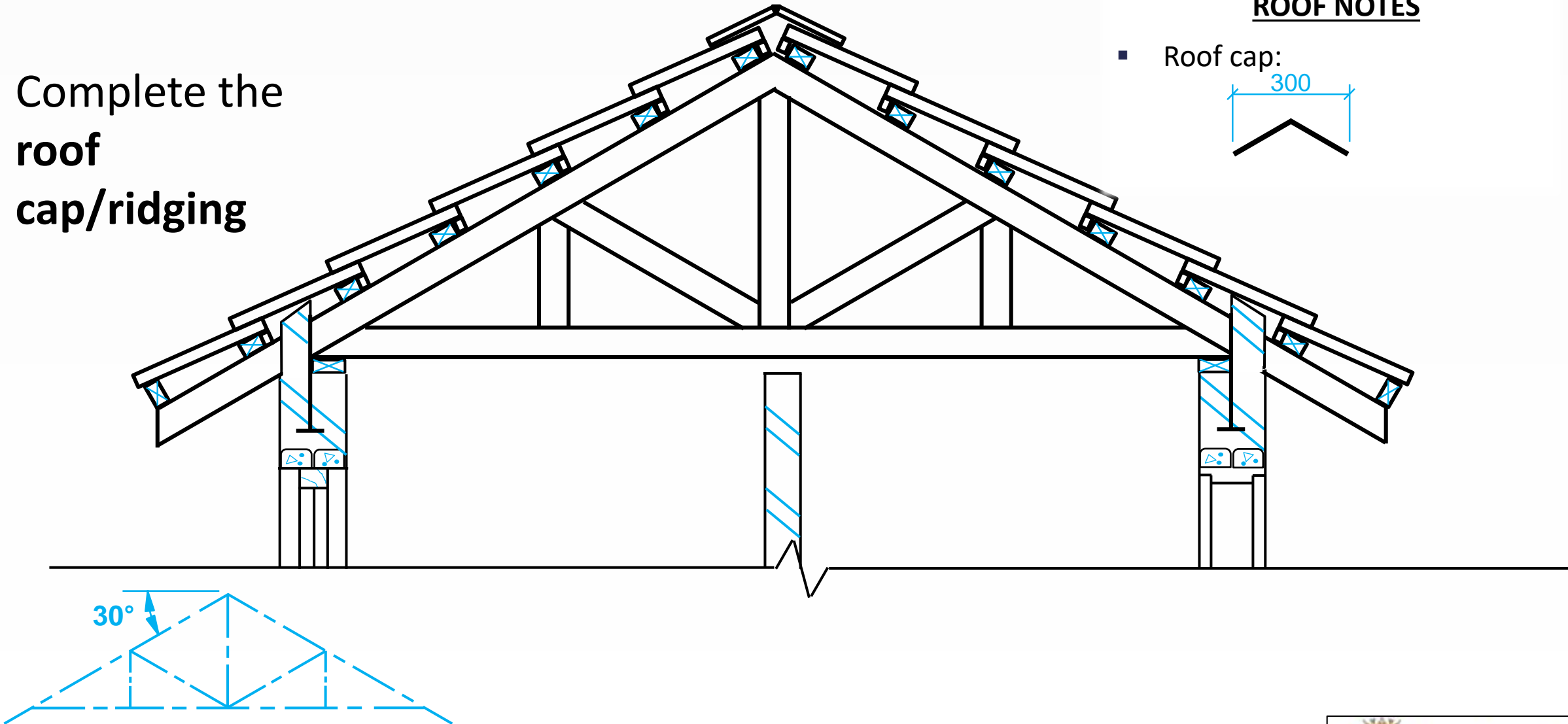


ROOF DETAIL (Roof coverage)

- Complete the roof cap/ridging

ROOF NOTES

- Roof cap:



ROOF DETAIL (Roof cap/ridging)

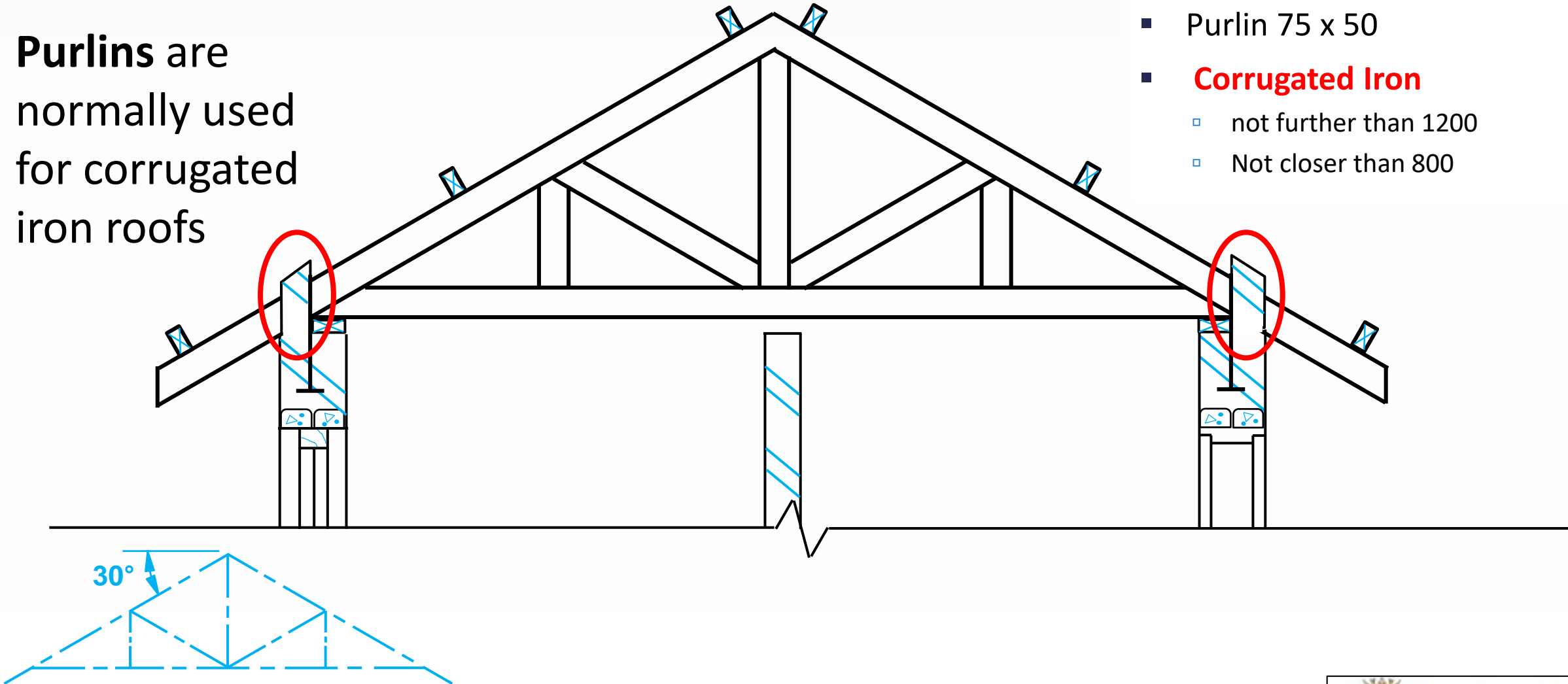


ROOF DETAIL

- **Purlins** are normally used for corrugated iron roofs

ROOF NOTES

- Purlin 75 x 50
- **Corrugated Iron**
 - ▣ not further than 1200
 - ▣ Not closer than 800

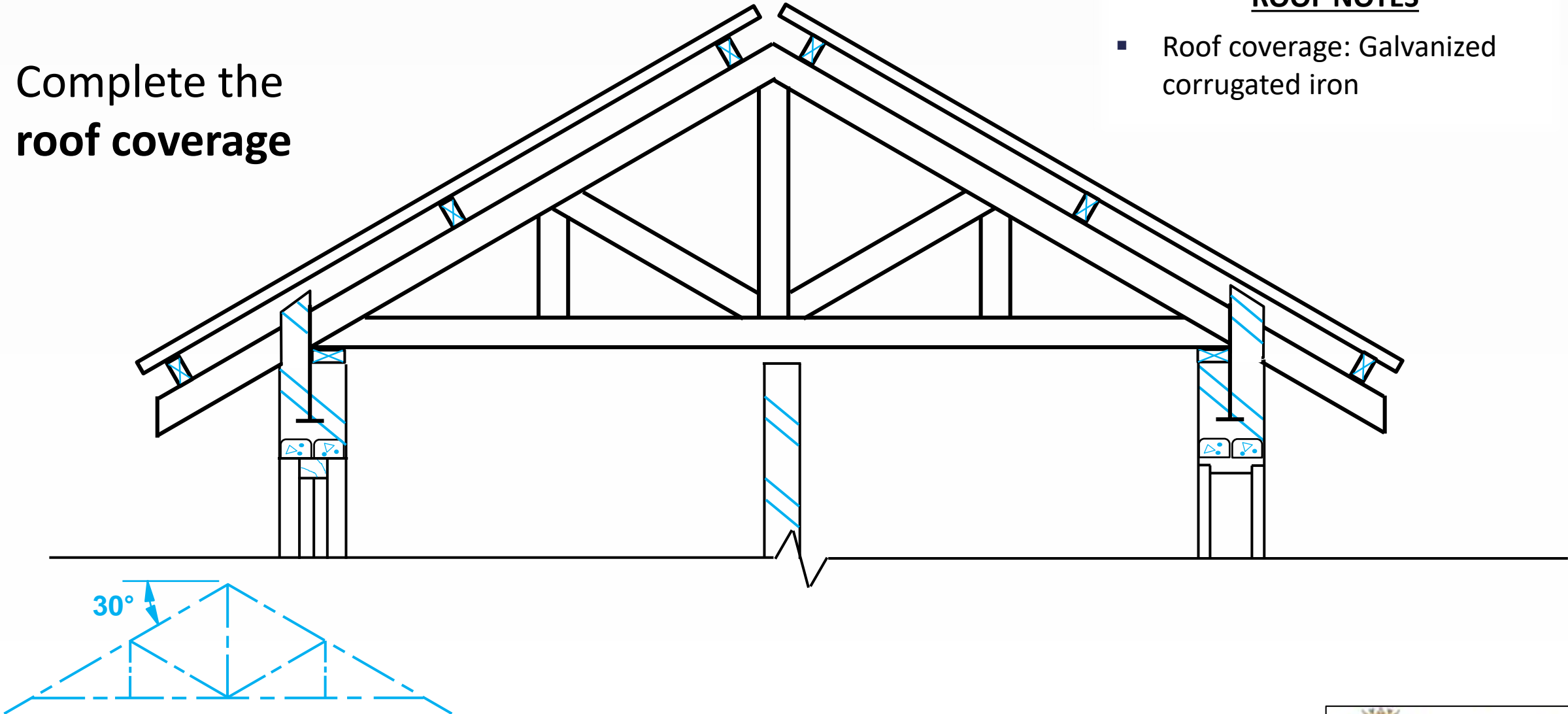


ROOF DETAIL (Roof coverage)

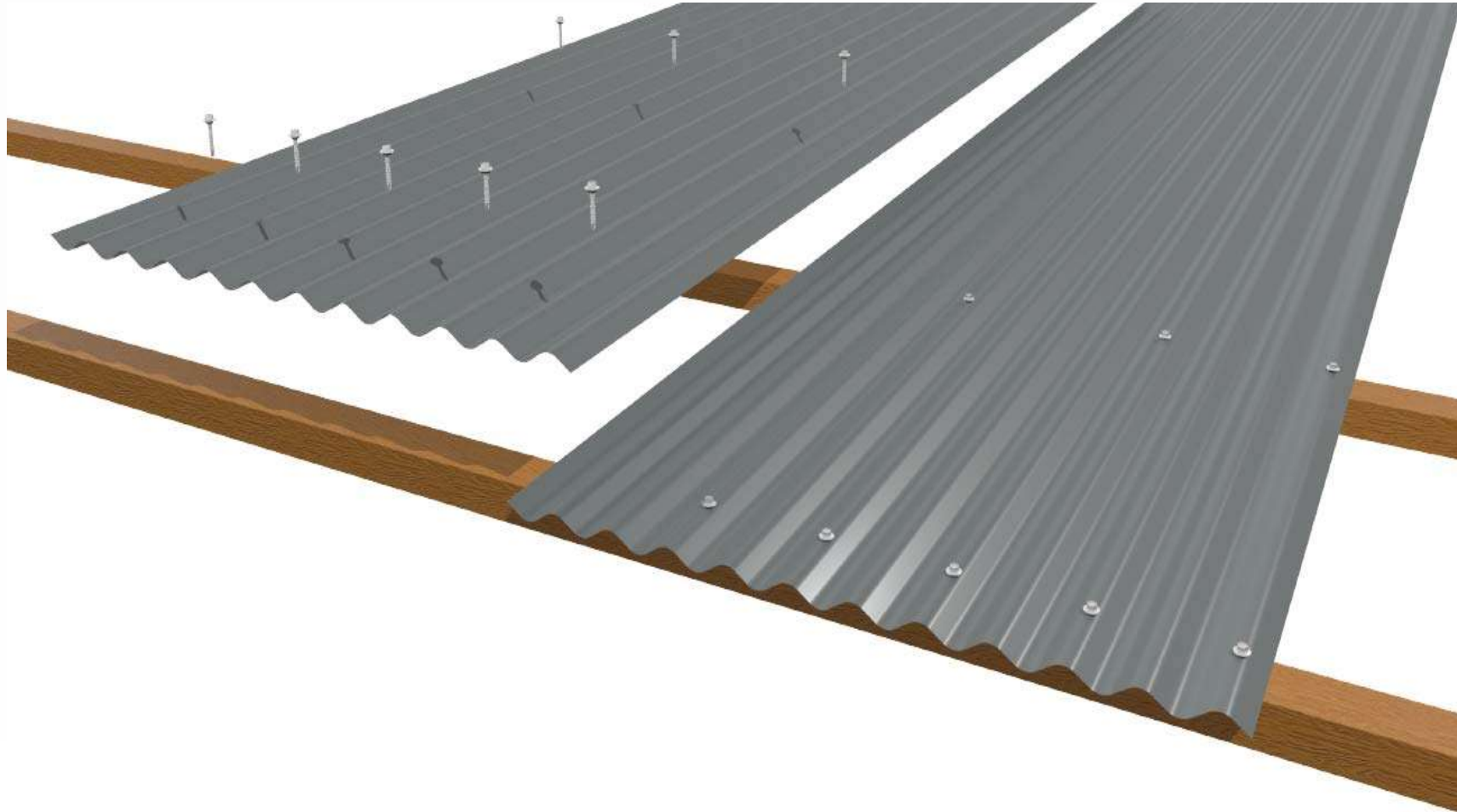
- Complete the roof coverage

ROOF NOTES

- Roof coverage: Galvanized corrugated iron



ROOF DETAIL (Roof coverage)

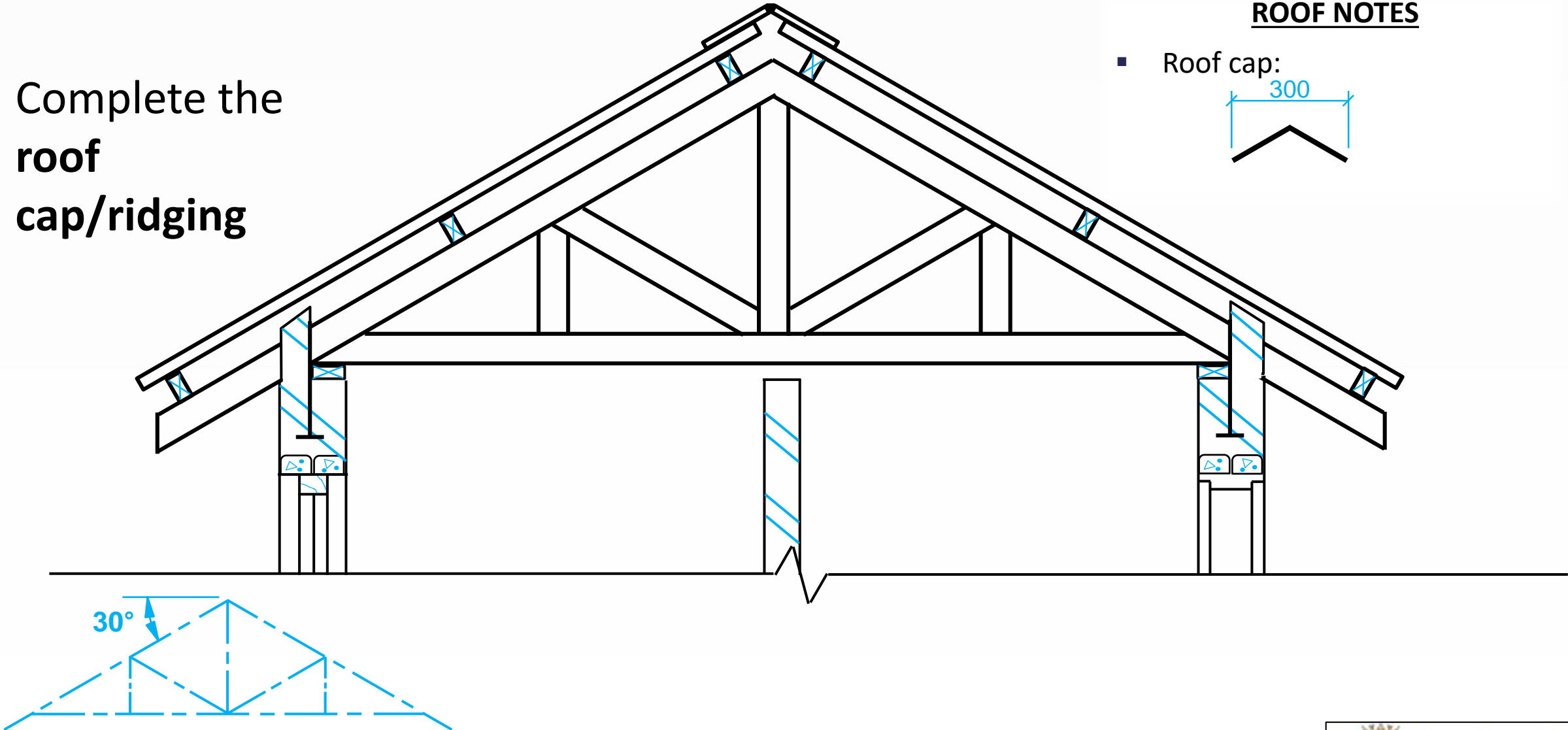


ROOF DETAIL (Roof cap/ridging)

- Complete the roof cap/ridging

ROOF NOTES

- Roof cap:



ROOF DETAIL (Roof cap/ridging)

