

THE
CONSTRUCTION
INDUSTRY
CIVIL DRAWINGS
Fascia boards and
Barge boards-
Roof Detail

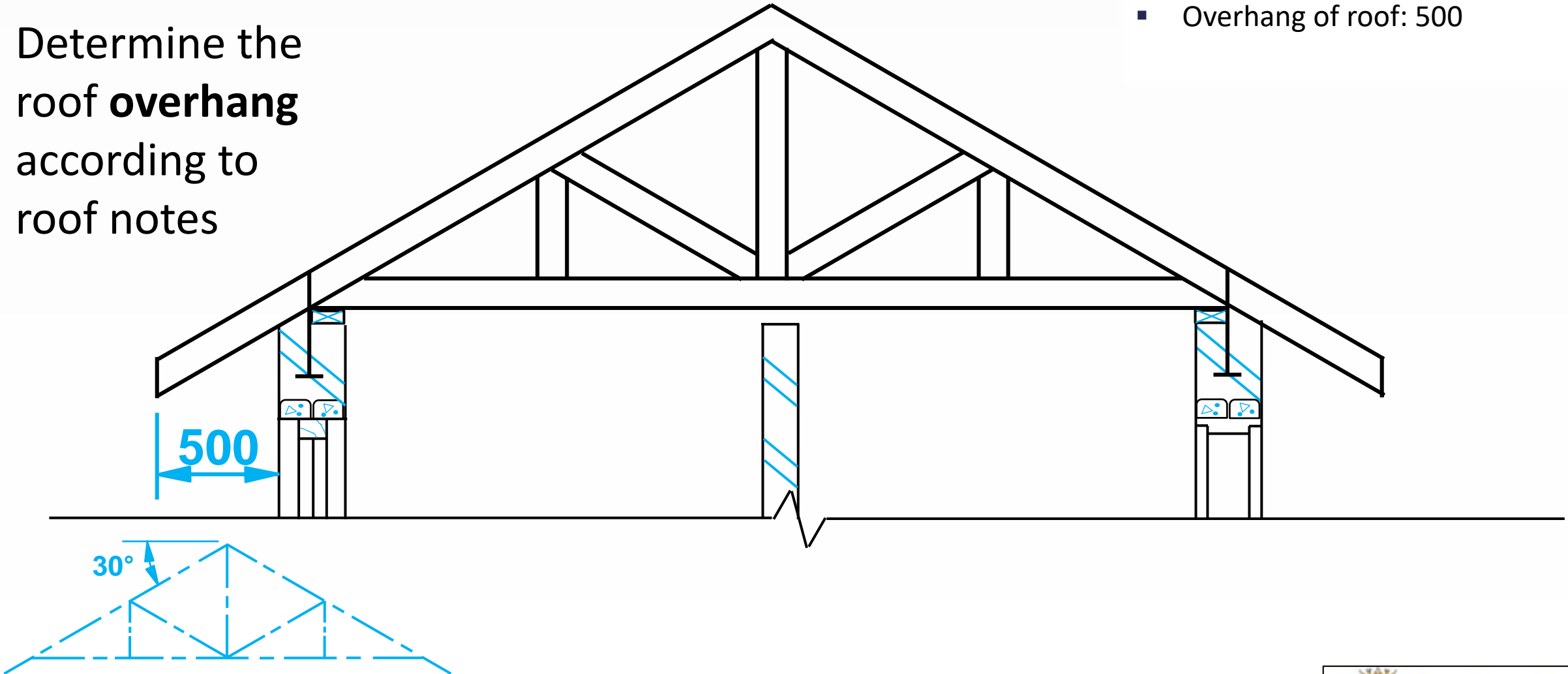
Developed by: PC Viljoen
Senior Educational Specialist for
Engineering Graphics and Design
Free State Province

ROOF DETAIL (overhang)

- Determine the roof **overhang** according to roof notes

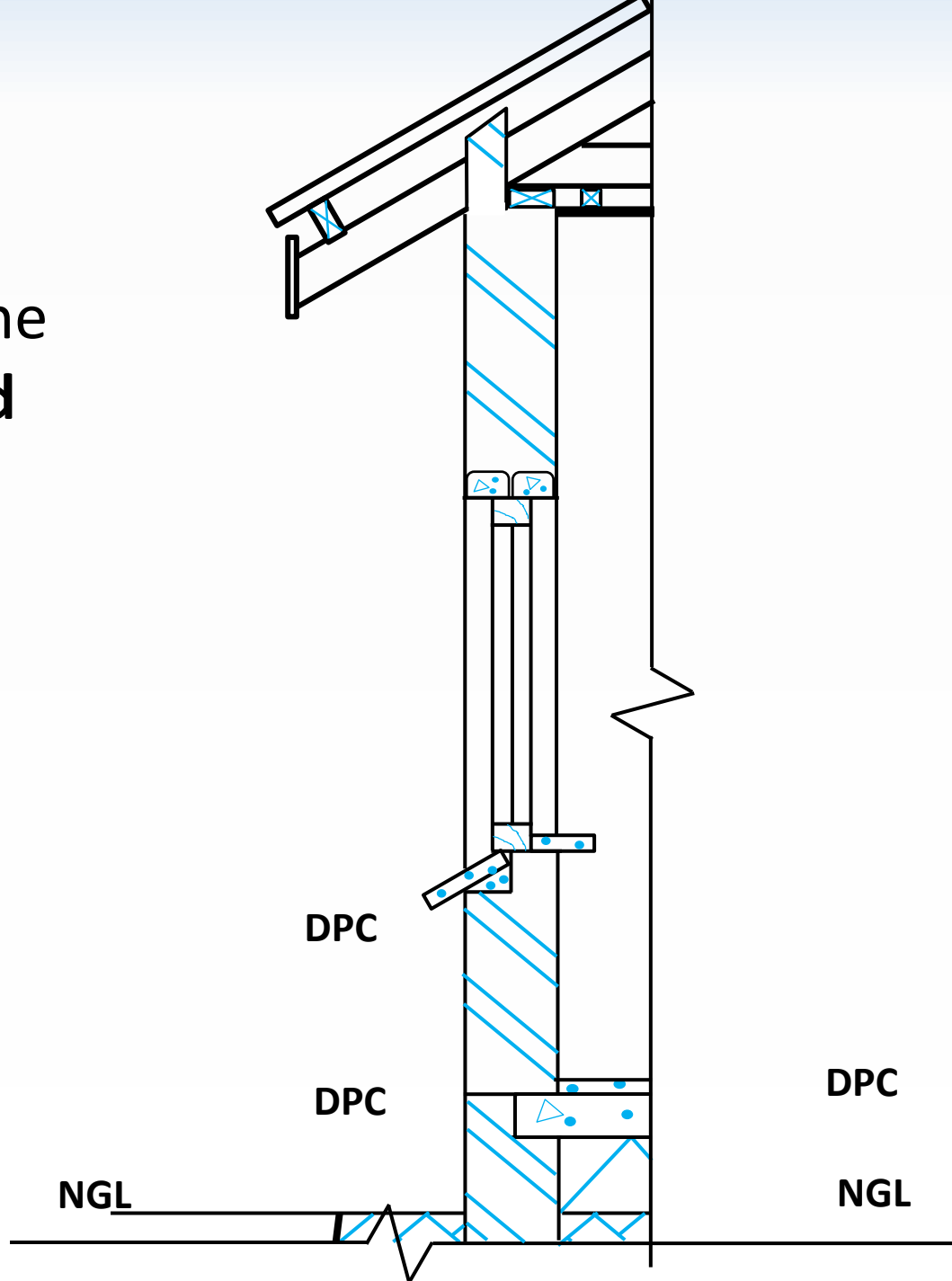
ROOF NOTES

- Overhang of roof: 500



SECTIONED DETAIL (Fascia board)

- Complete the fascia board



FASCIA BOARD NOTES

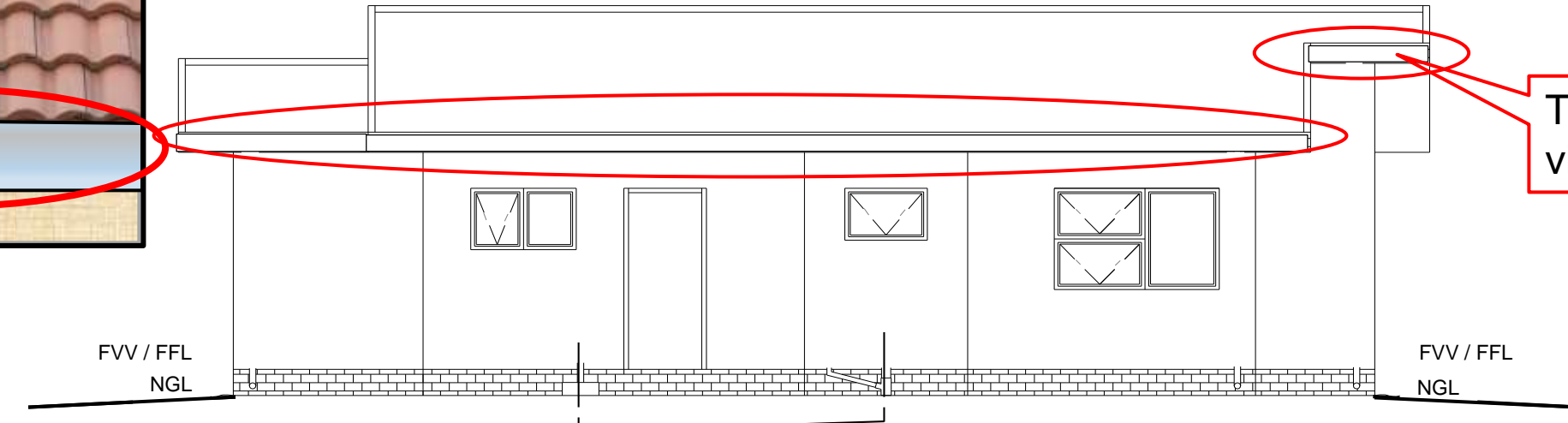
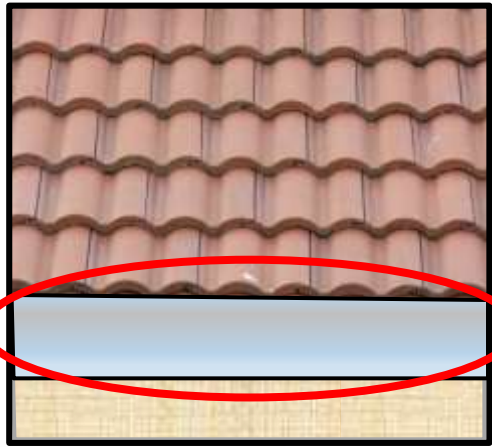
- 220 X 20



SECTIONED DETAIL (Fascia board)



ELEVATION VIEW OF FASCIA BOARD WITHOUT GUTTERS

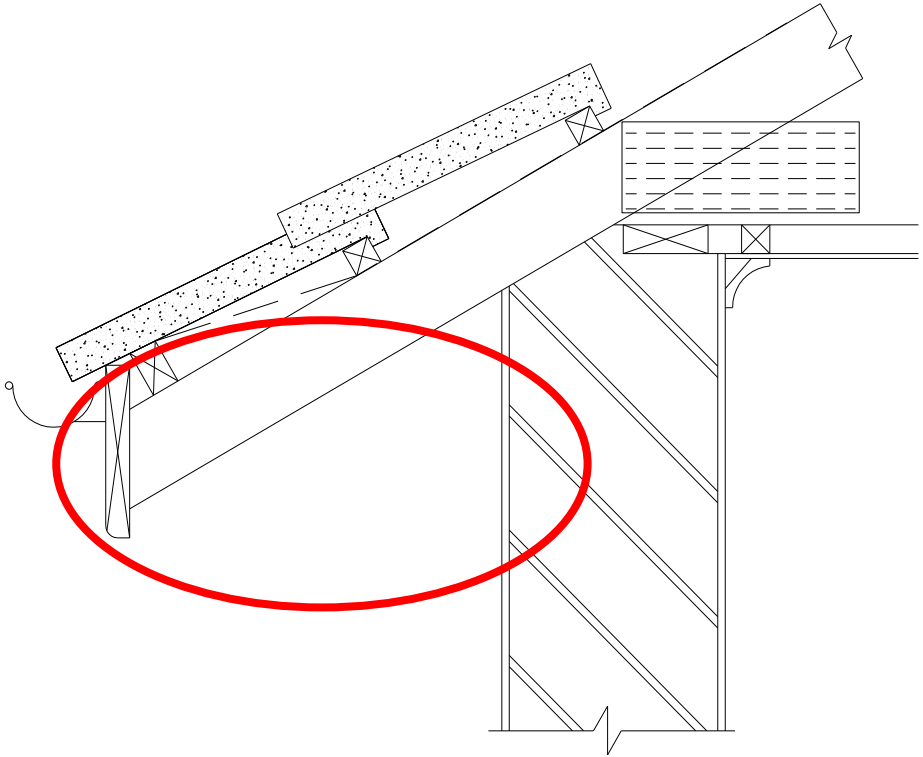


Three lines visible

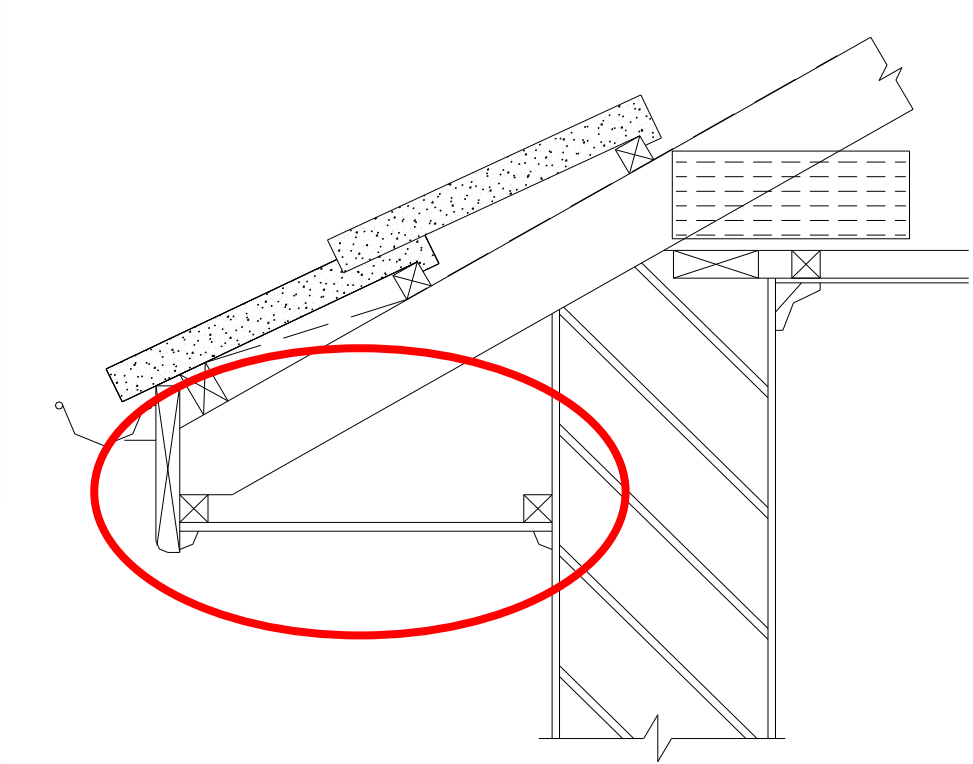
1:40

SOUTH ELEVATION
SCALE 1:100

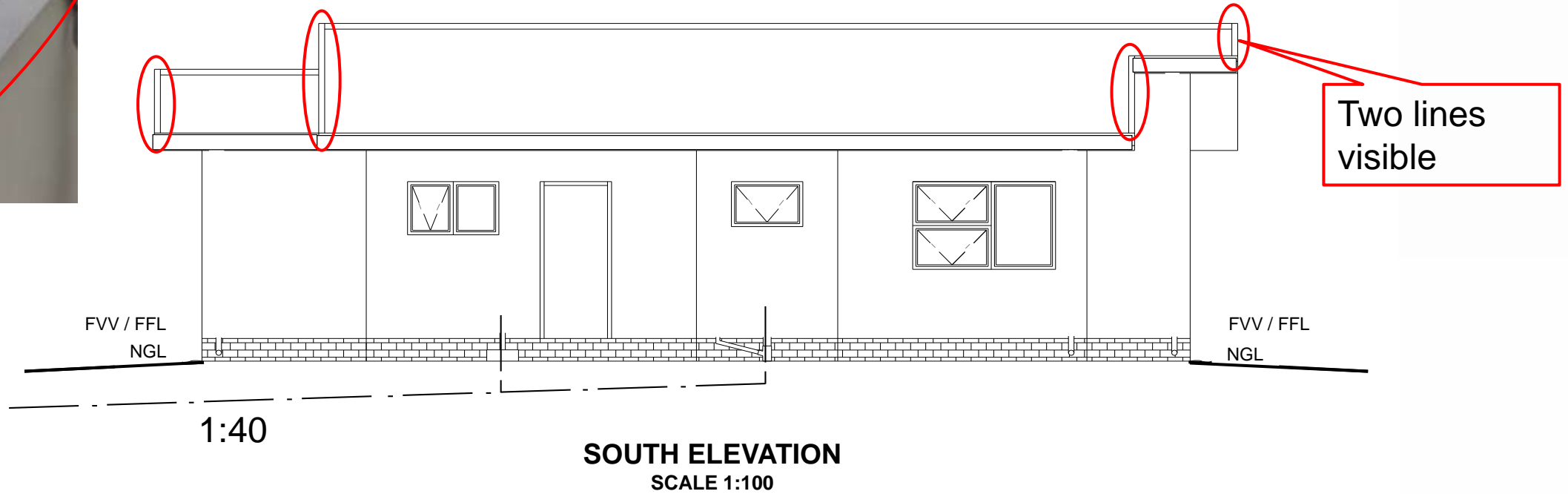
SECTIONED DETAIL (Open Eaves)



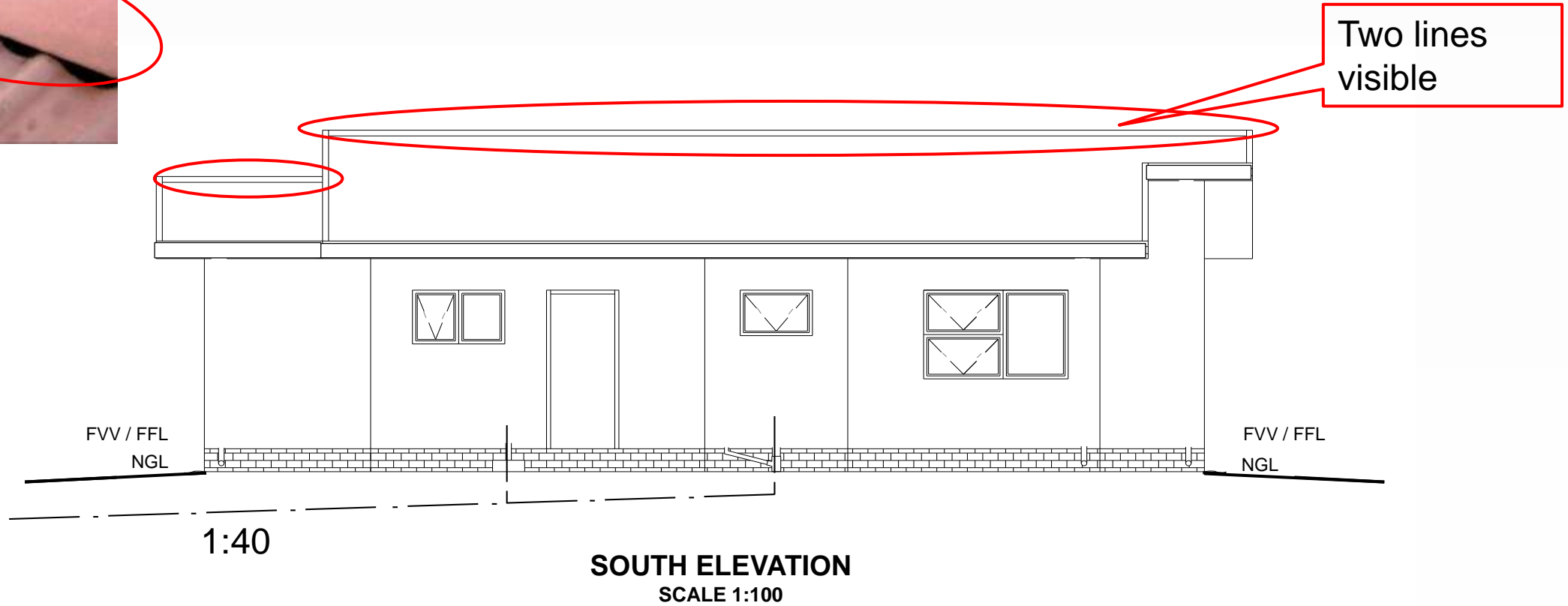
SECTIONED DETAIL (Closed Eaves)



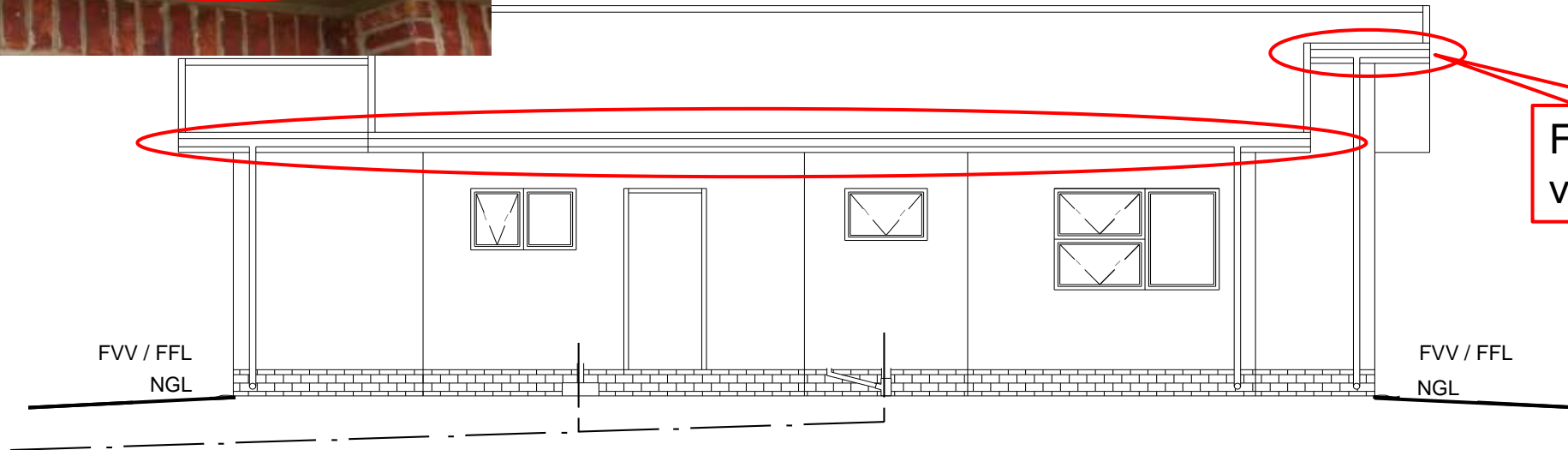
ELEVATION VIEW OF BARGE BOARD



ELEVATION VIEW OF RIDGING / ROOF CAP



ELEVATION VIEW OF GUTTERS



Four lines visible

1:40

SOUTH ELEVATION
SCALE 1:100