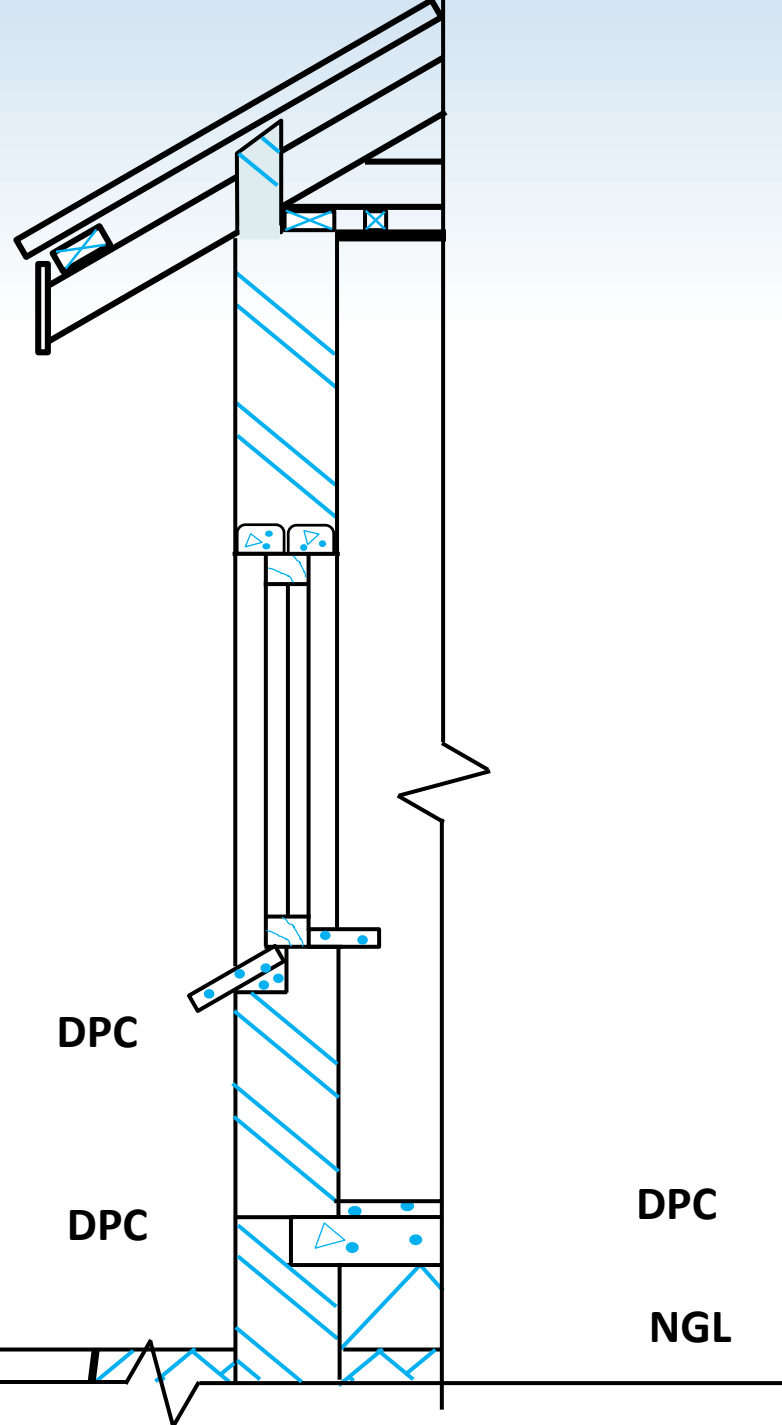


THE CONSTRUCTION
INDUSTRY
CIVIL DRAWINGS
(Gutters, Downpipes and
Plumbing)

Developed by: PC Viljoen
Senior Educational Specialist for
Engineering Graphics and Design
Free State Province

PRESCRIBED CONTENT FOR GRADE 10 & 11

- **SANS 10143 Symbols**
- The floor plan showing the windows and doors.
- Elevation drawings.
- Sectional elevations showing the detail from the foundation to the roof ceiling.



SECTIONED DETAIL (Fascia board)

- The rainwater gutters will be attached to the **fascia board**

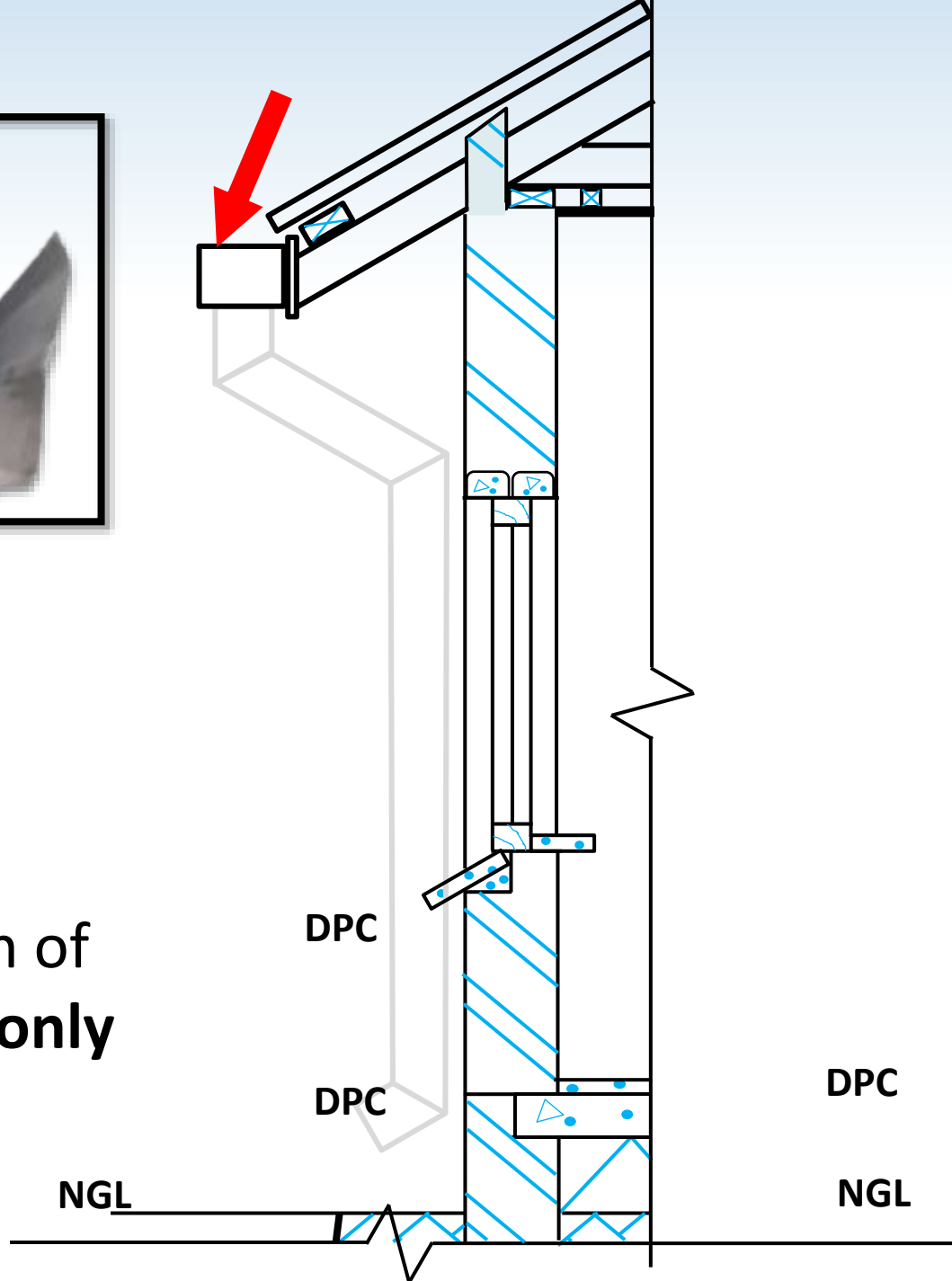
FASCIA BOARD NOTES

- 220 X 20



SECTIONED DETAIL (Gutter)

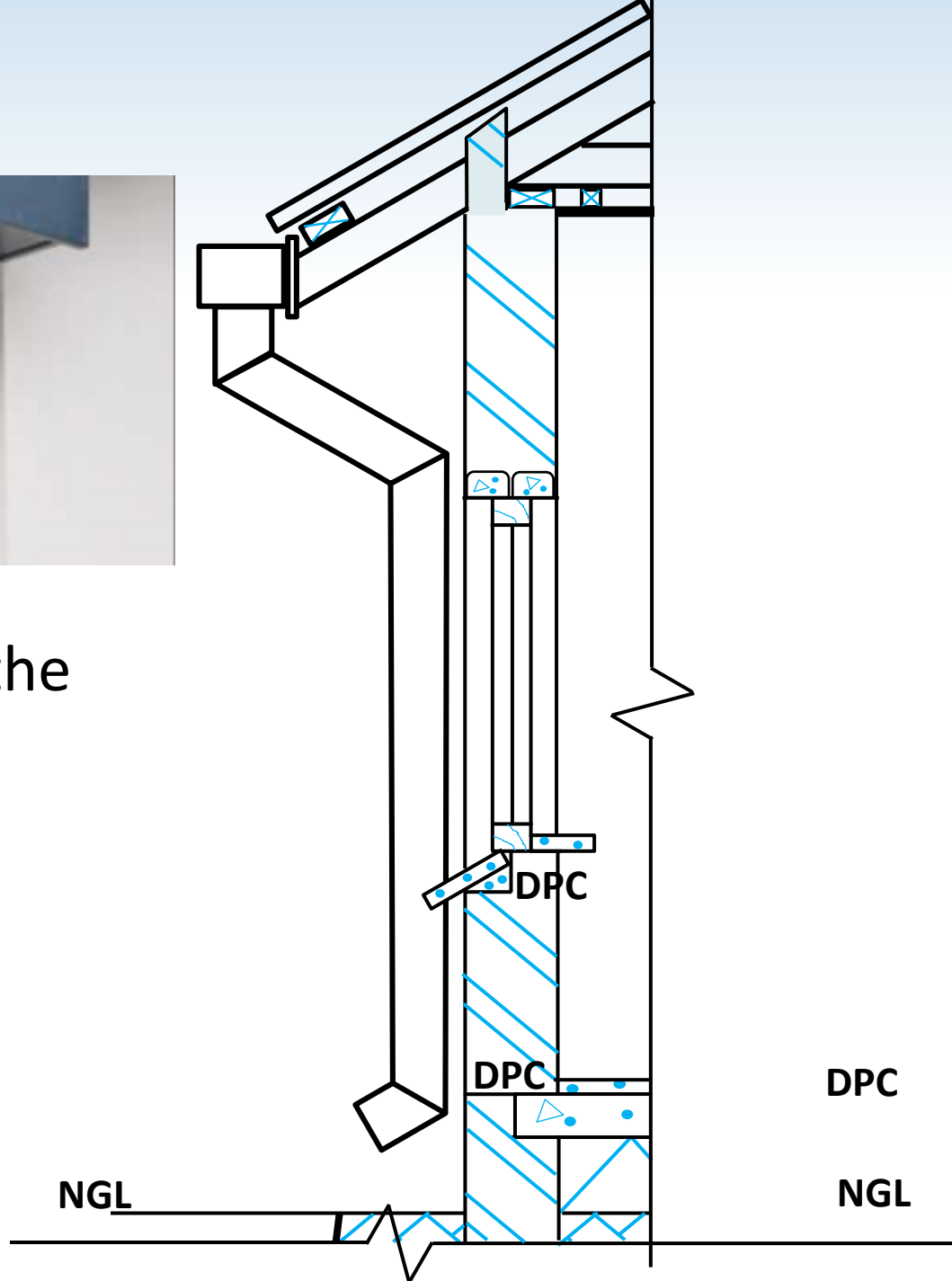
RAINWATER & DOWRNPipe NOTES



- Completion of the **gutter only**



- Complete the down pipe



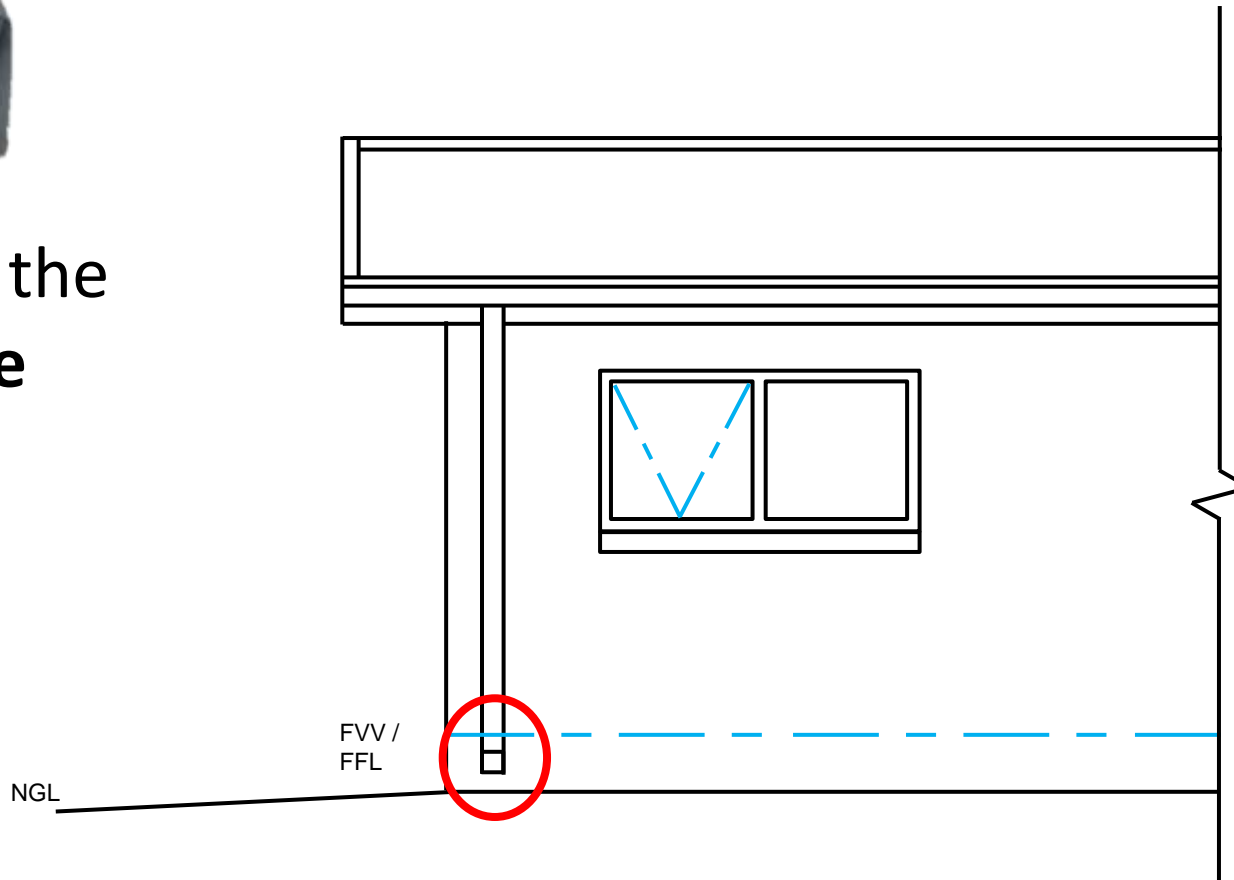
SECTIONED DETAIL (Gutters & downpipes)

RAINWATER &
DOWNPIPE NOTES

SECTIONED DETAIL (Gutters & downpipes)

RAINWATER & DOWNSPIPE NOTES

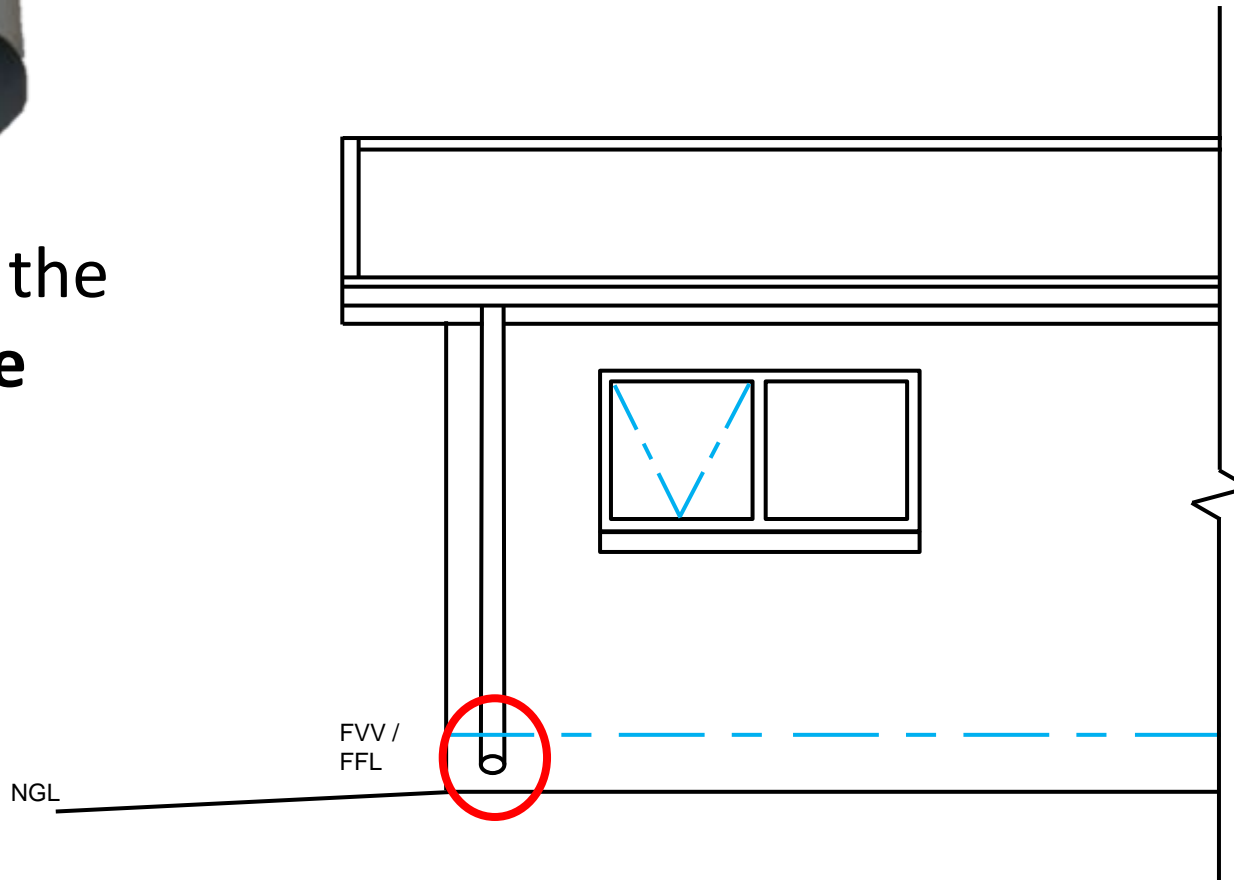
- Complete the down pipe



SECTIONED DETAIL (Gutters & downpipes)



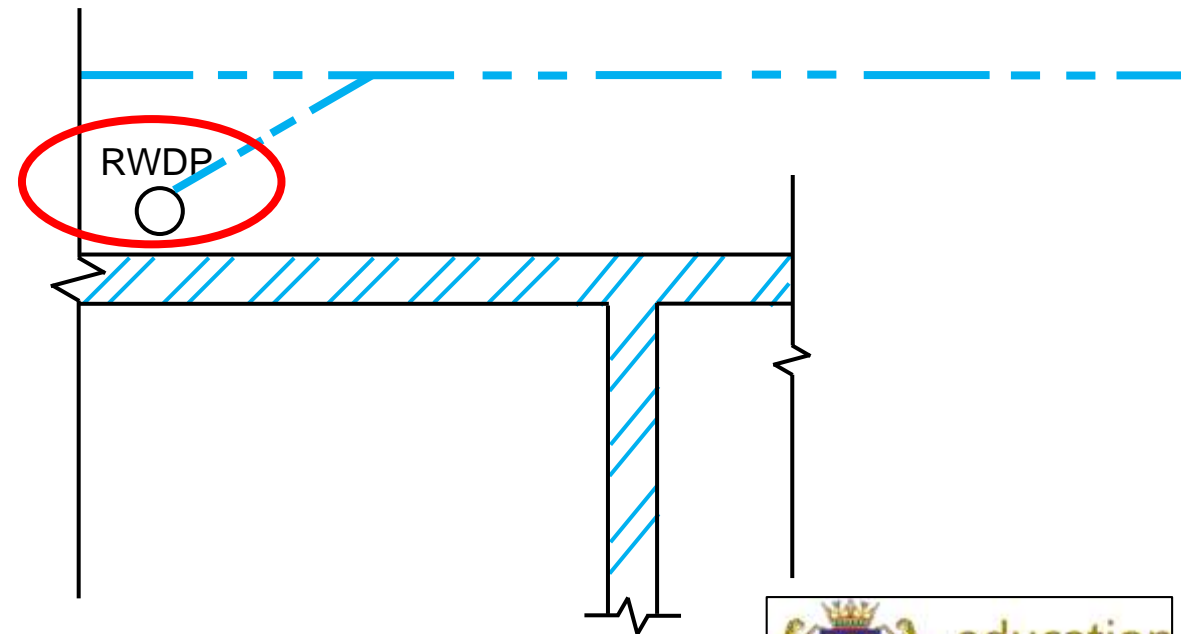
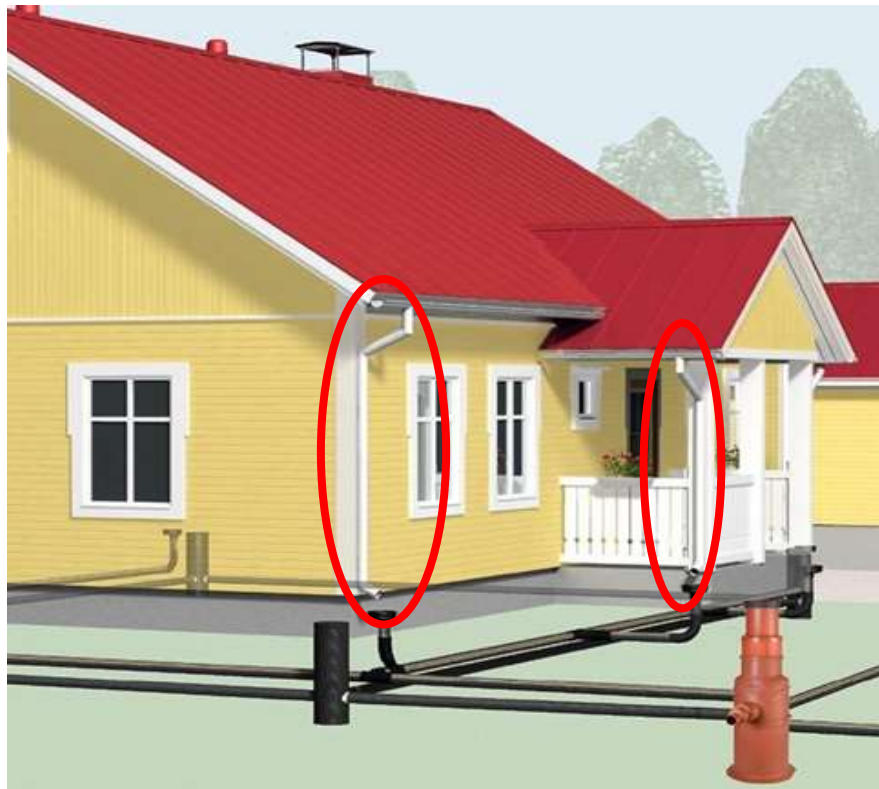
- Complete the down pipe



RAINWATER &
DOWNPIPE NOTES

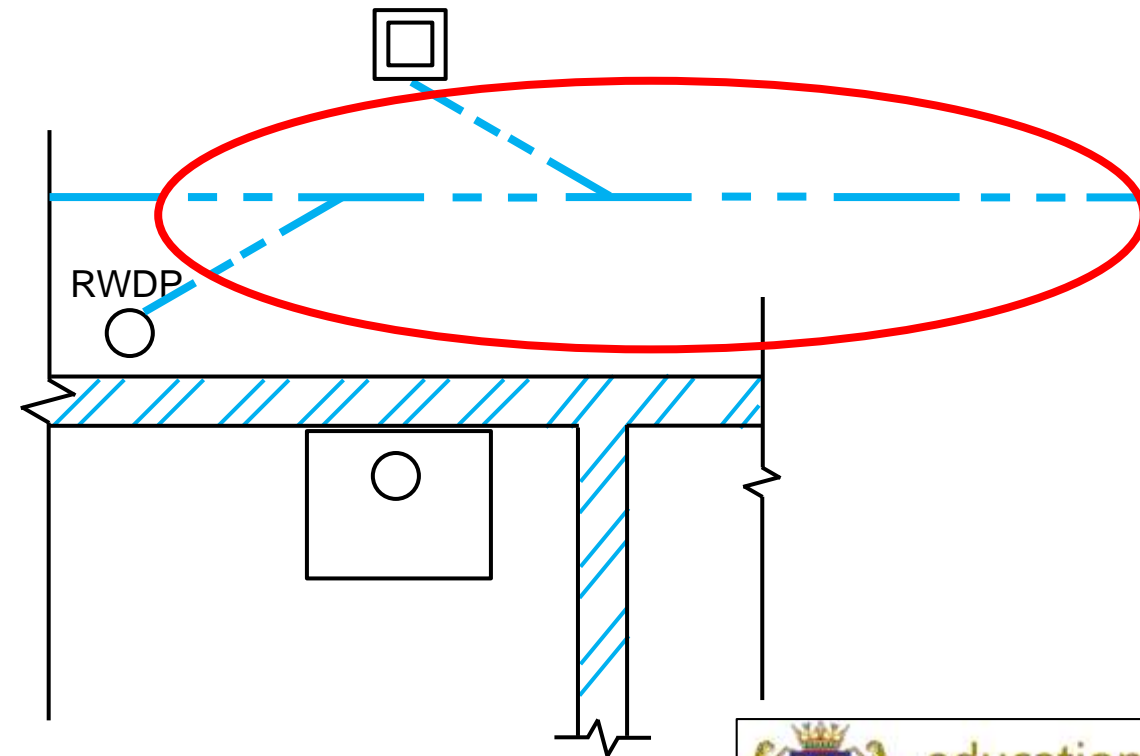
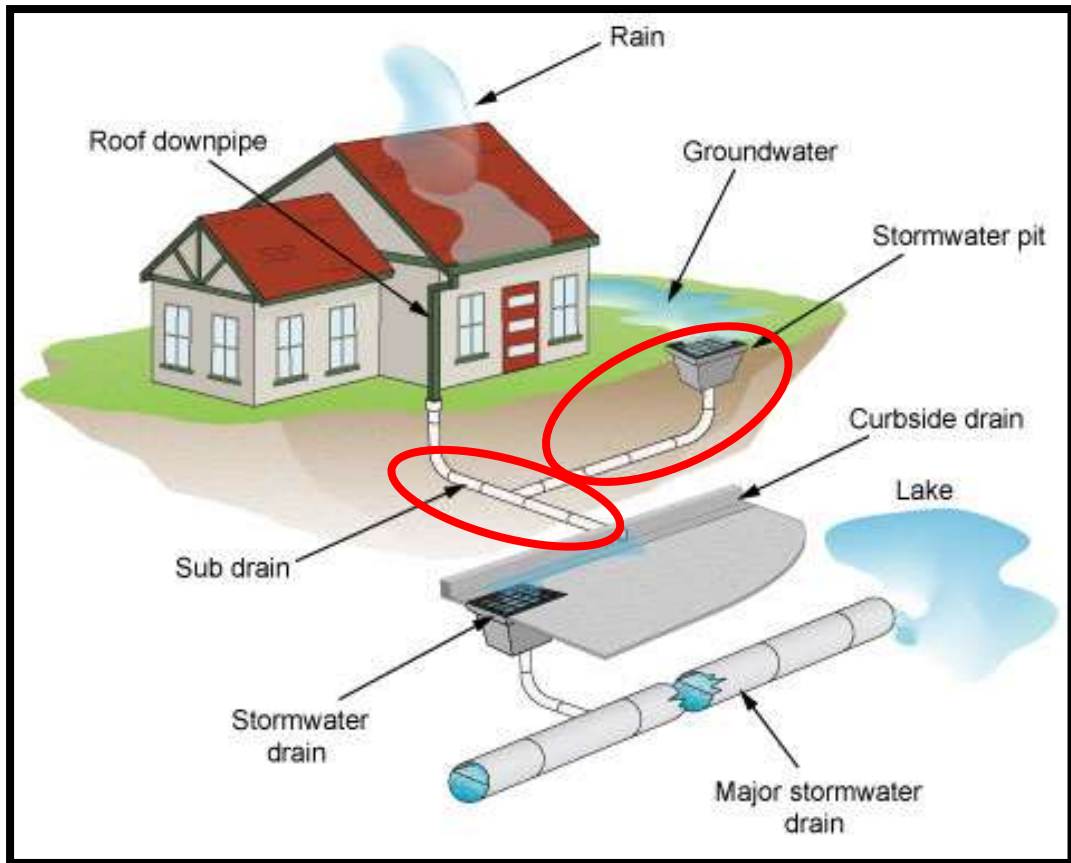
SANS 10143 Symbols

- The conventional SANS representation of a **RAIN WATER DOWN PIPES (RWDP)**



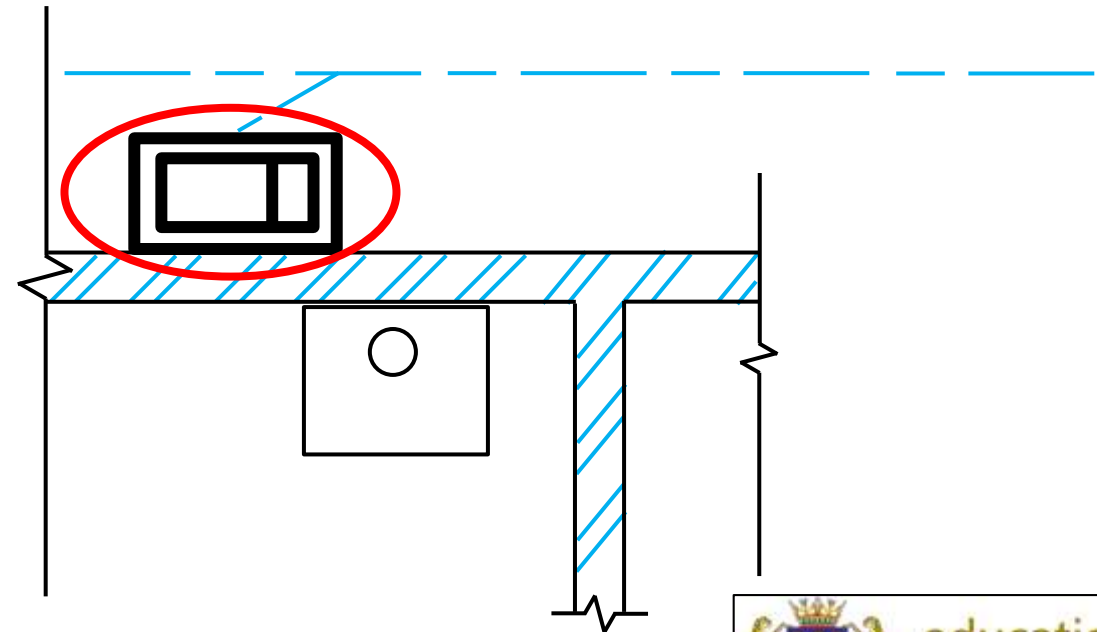
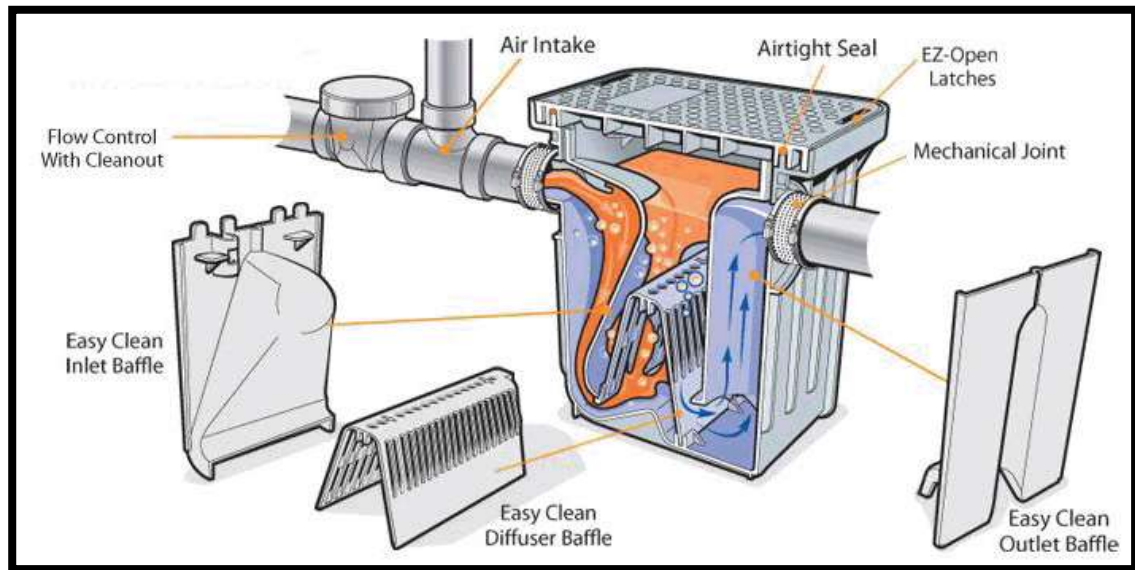
SANS 10143 Symbols

- The conventional SANS representation of a **STORMWATER PIPES**



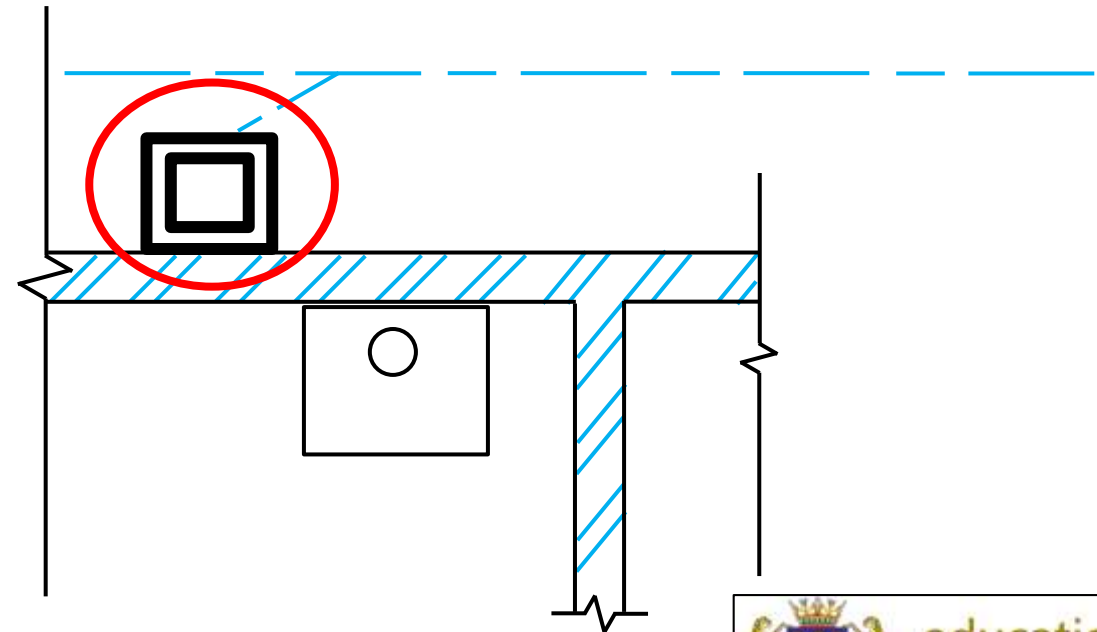
SANS 10143 Symbols

- The conventional SANS representation of a **GREASE TRAP**



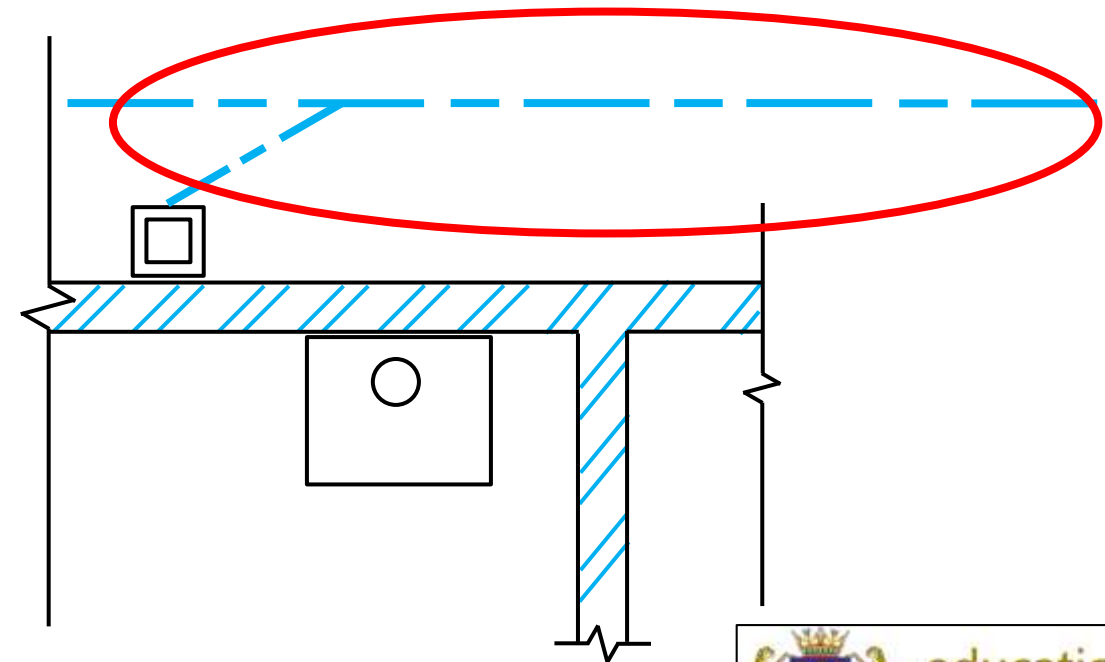
SANS 10143 Symbols

- The conventional SANS representation of a **GULLY**



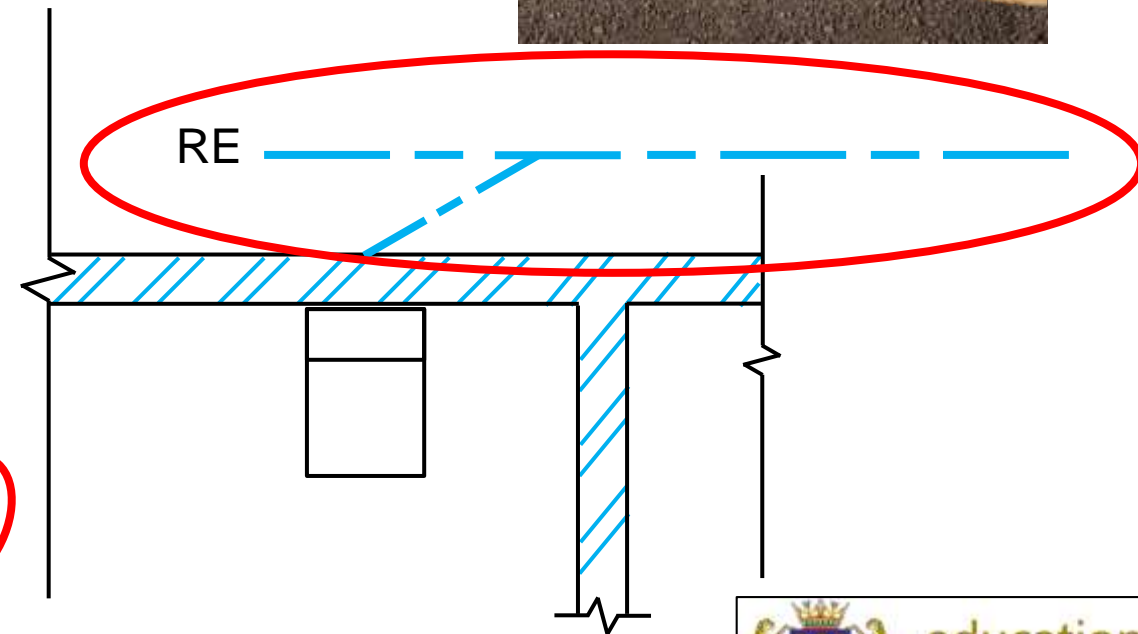
SANS 10143 Symbols

- The conventional SANS representation of a **SEWER PIPES**



SANS 10143 Symbols

- **RODDING EYE** in a sewer pipe



SANS 10143 Symbols

- **INSPECTION EYE** in a sewer pipe

