

THE CONSTRUCTION INDUSTRY CIVIL DRAWINGS

Developed by: PC Viljoen
Senior Educational Specialist for
Engineering Graphics and Design
Free State Province

GENERAL INFORMATION

- Electrical distribution symbol keys showing the following:
 - Ceiling mounted light fittings.
 - Waterproof wall mounted lights.
 - 15A plugs.
 - Geyser point.
 - Stove.
 - Distribution box

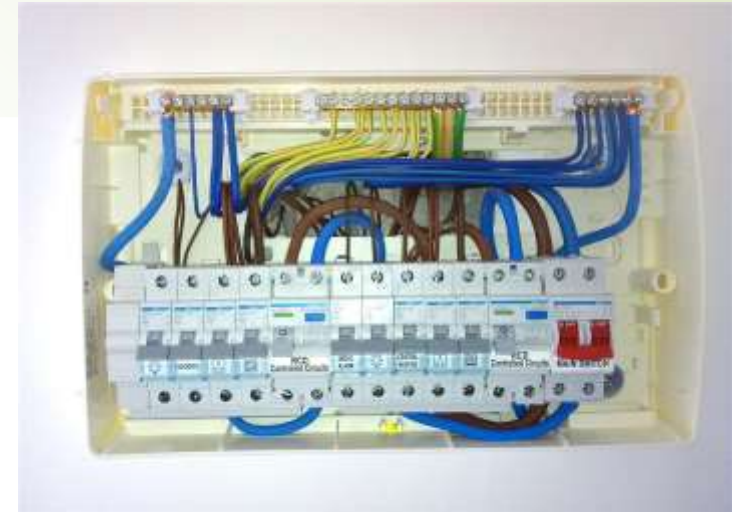
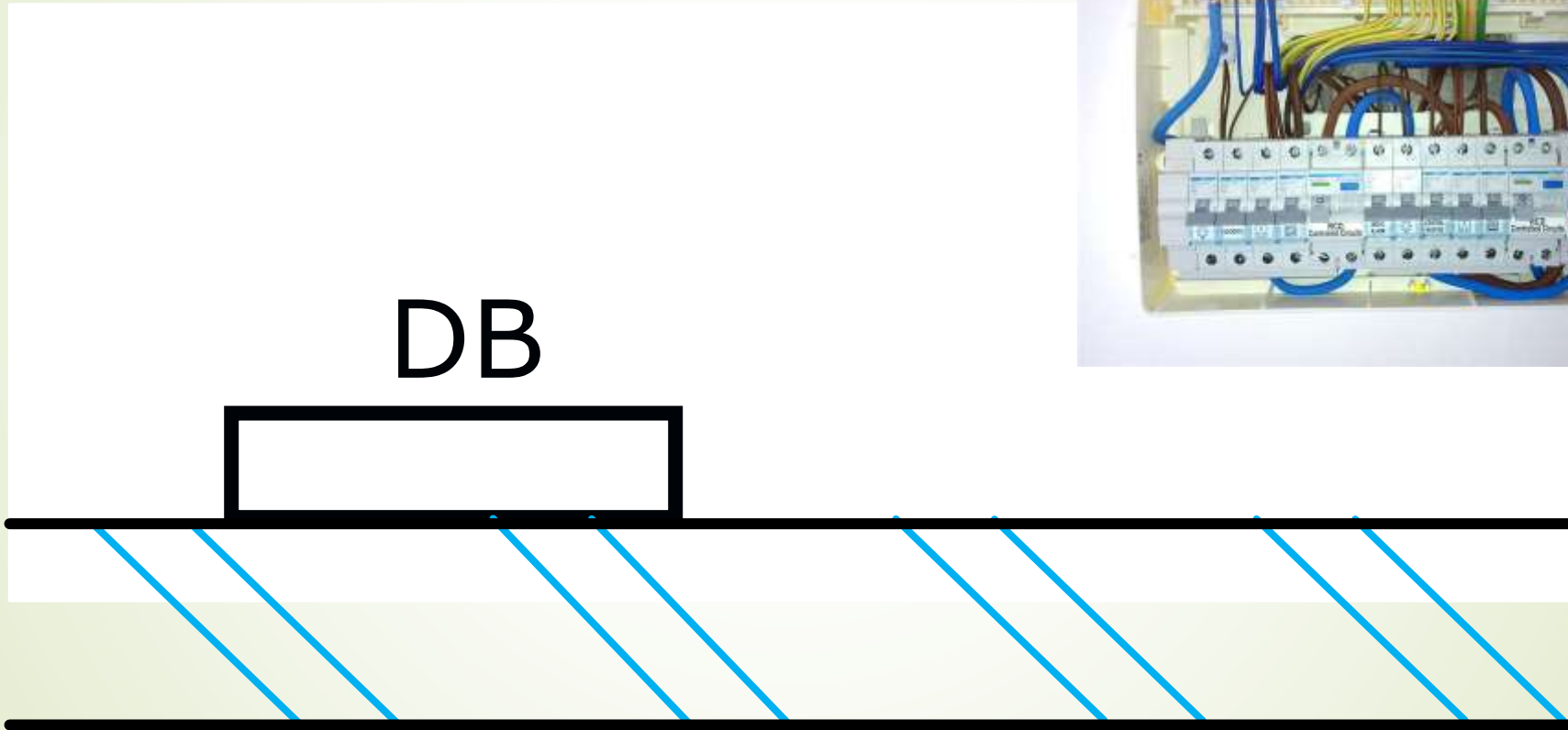
ELECTRICAL

- On the floor plan the position of the following components must be shown.
 - (main board),
 - distribution board,
 - lights,
 - plugs and
 - switches.

DISTRIBUTION BOARD

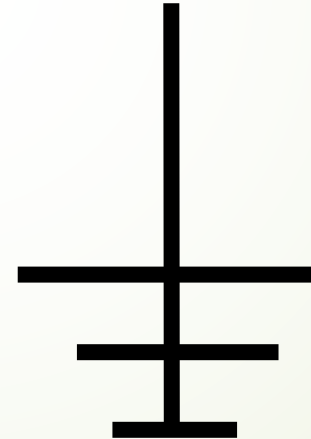
- This board houses all ...
 - Trip switches for the various circuits
 - The earth leakage relay or unit
 - Timers
 - Electrical meters.

DISTRIBUTION BOARD

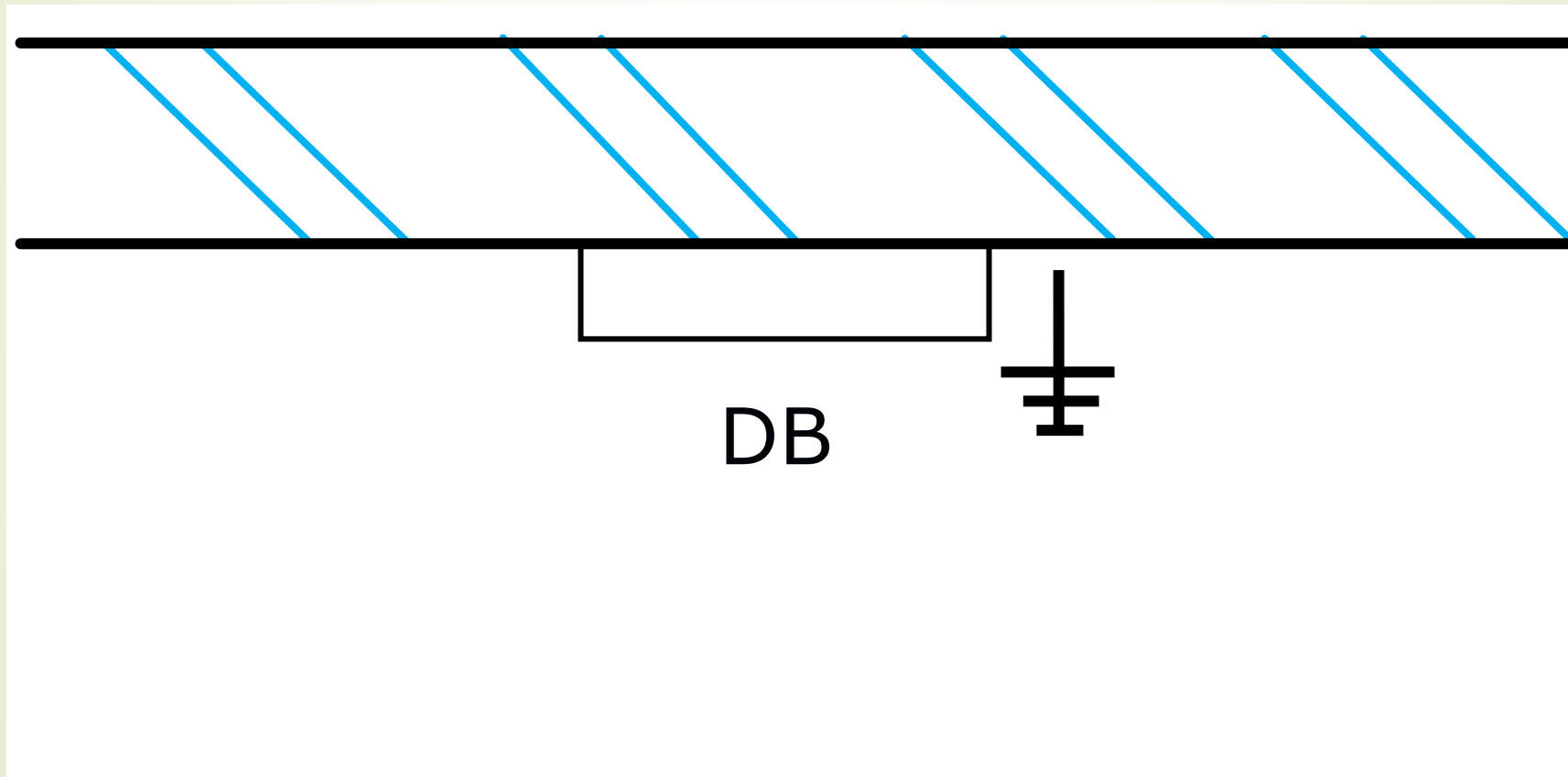


EARTH

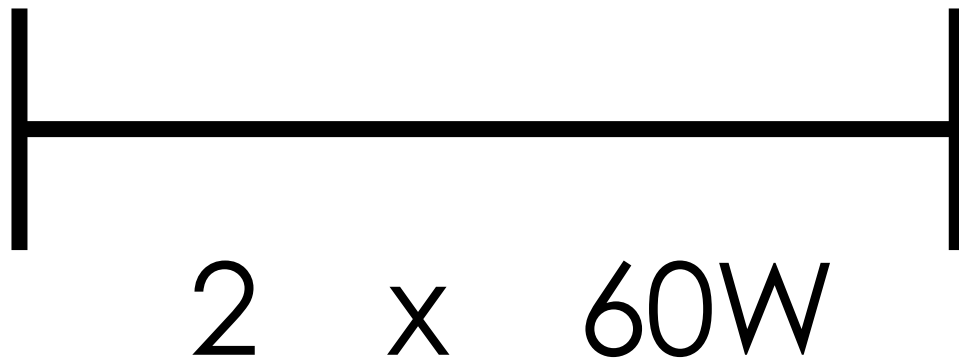
- ➔ This unit detects a leakage of electricity down to earth.



EARTH



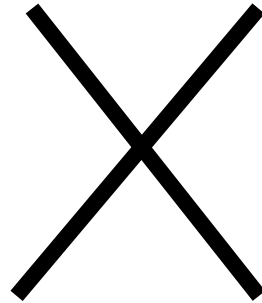
2 X FLUORESCENT LIGHTS (40W)



2 x 60W



HANGING CEILING LIGHTS

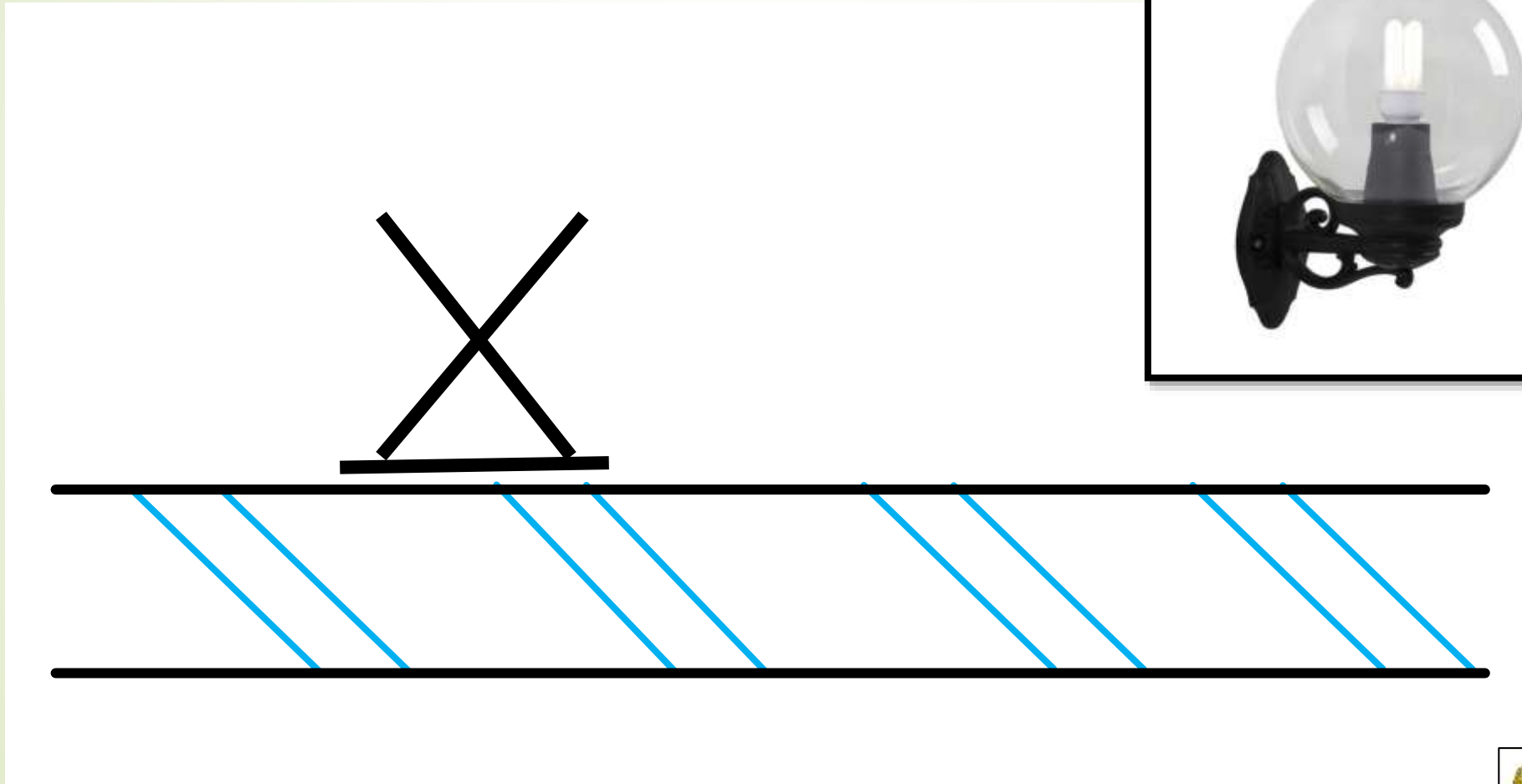


3 X HANGING CEILING LIGHTS (40 W)



3 X 40W

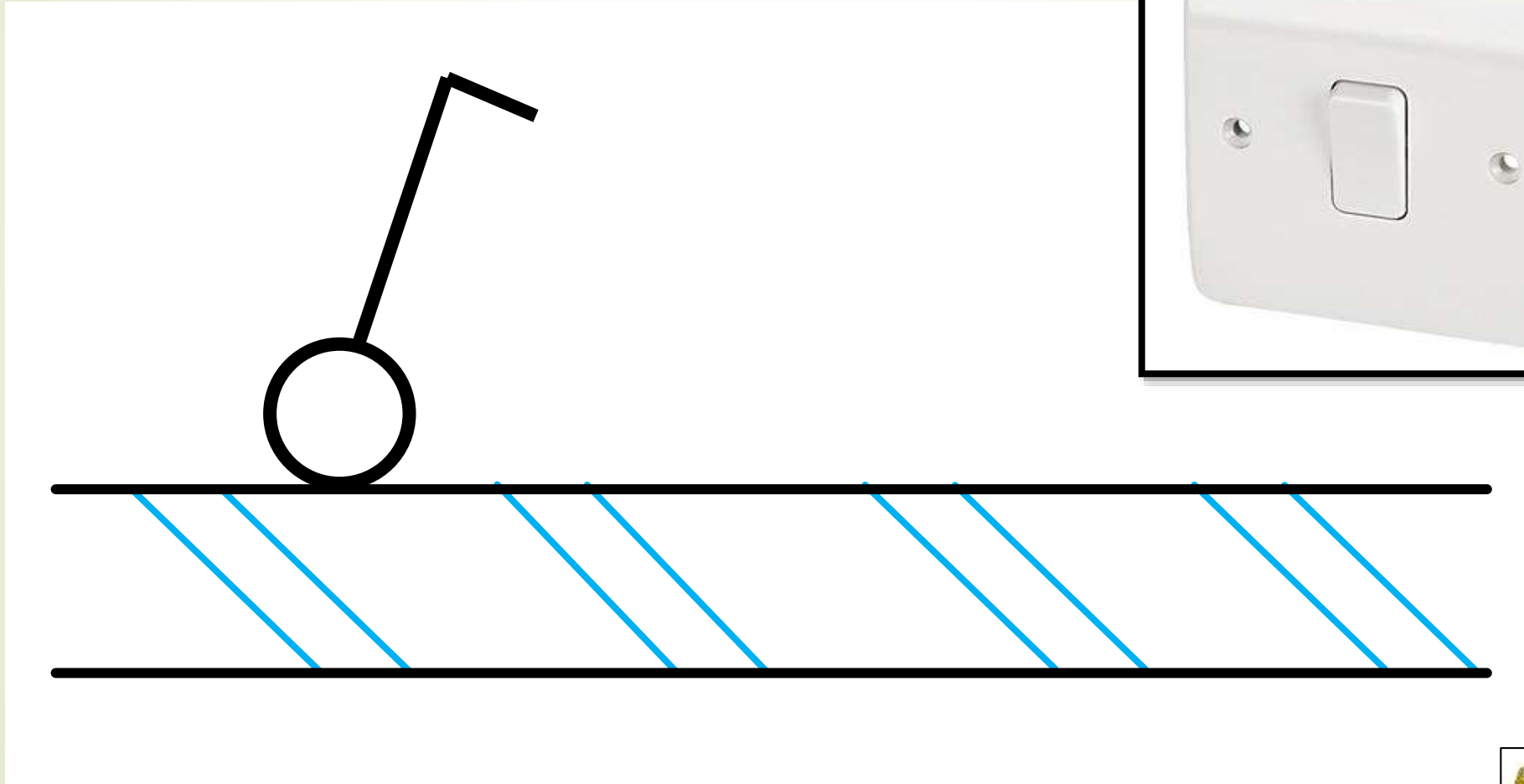
WALL MOUNTED LIGHTS



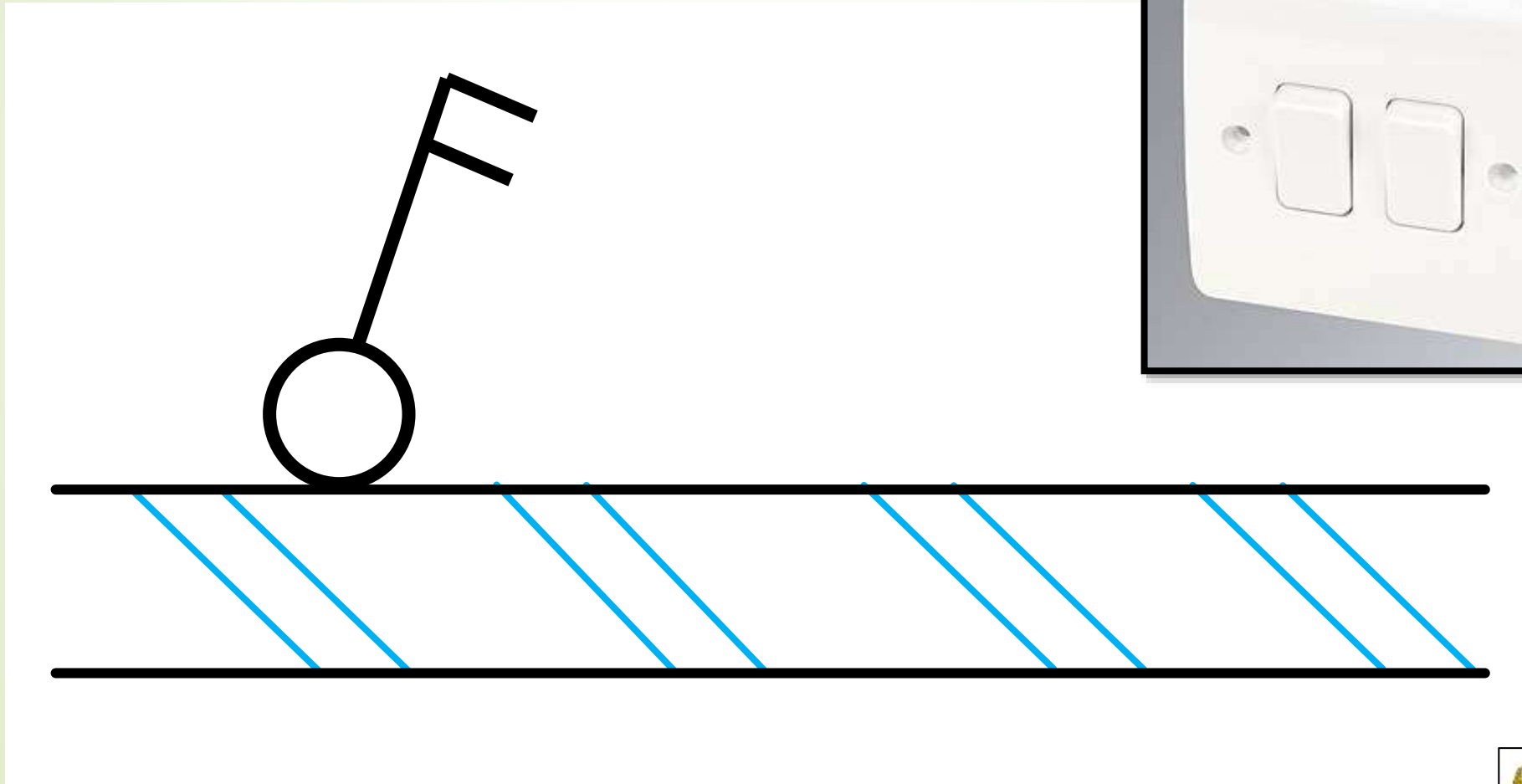
SWITCHES

- This device comes in various shapes and is used to break the flow of current in a circuit

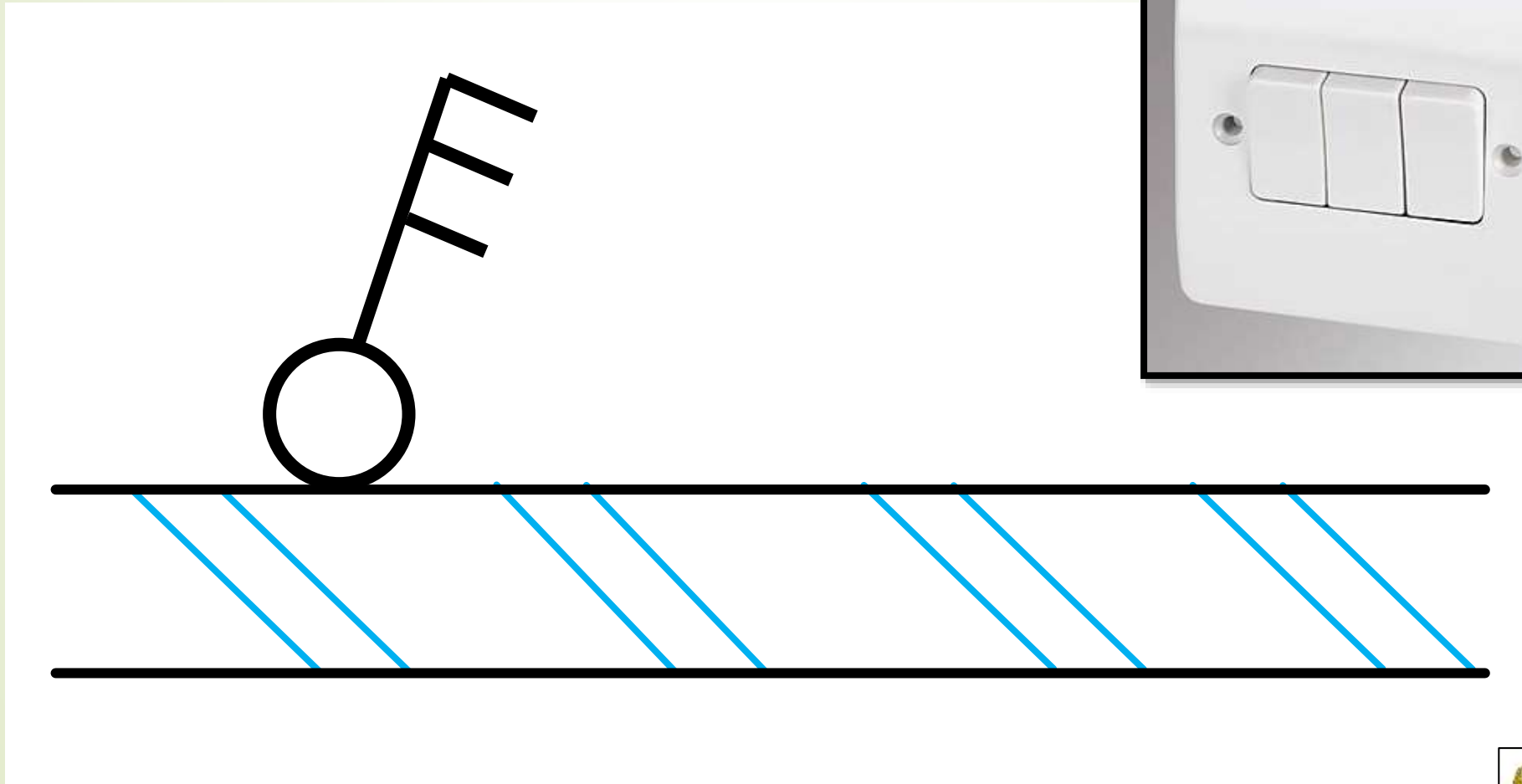
ONE WAY SWITCH – ONE POLE



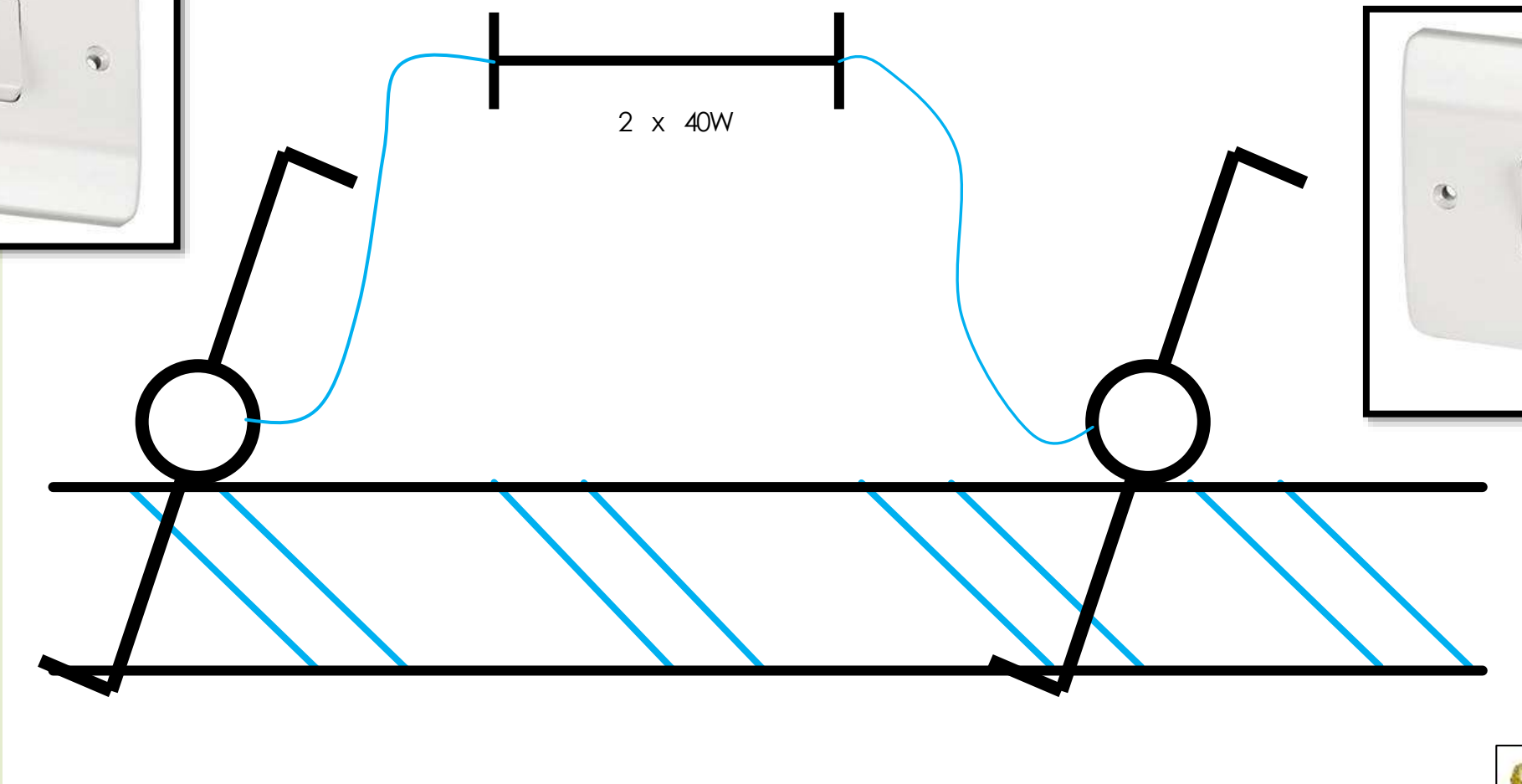
ONE WAY SWITCH – TWO POLE



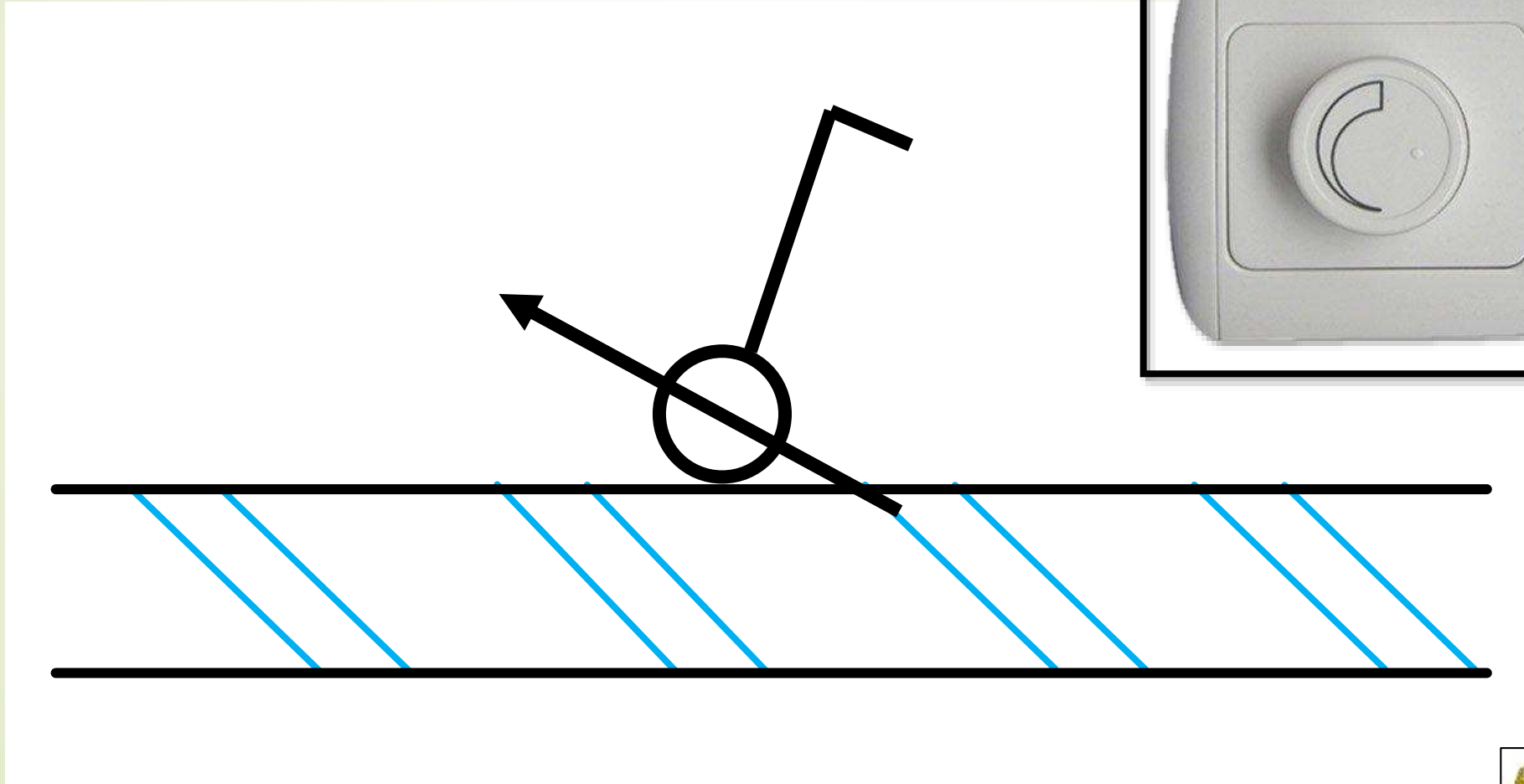
ONE WAY SWITCH – THREE POLE



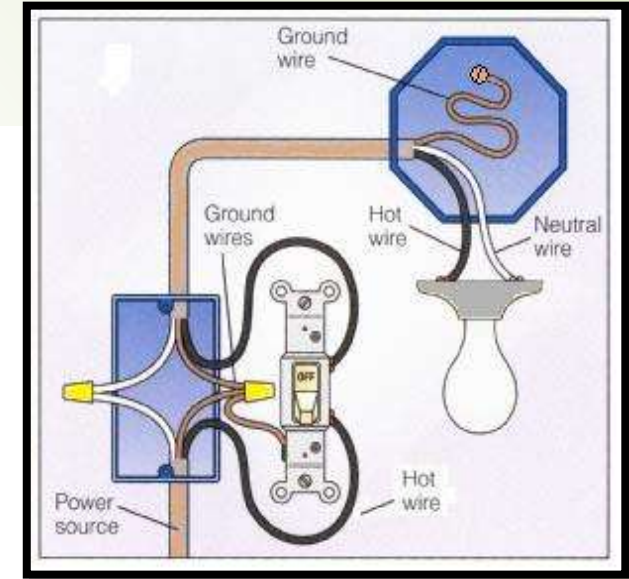
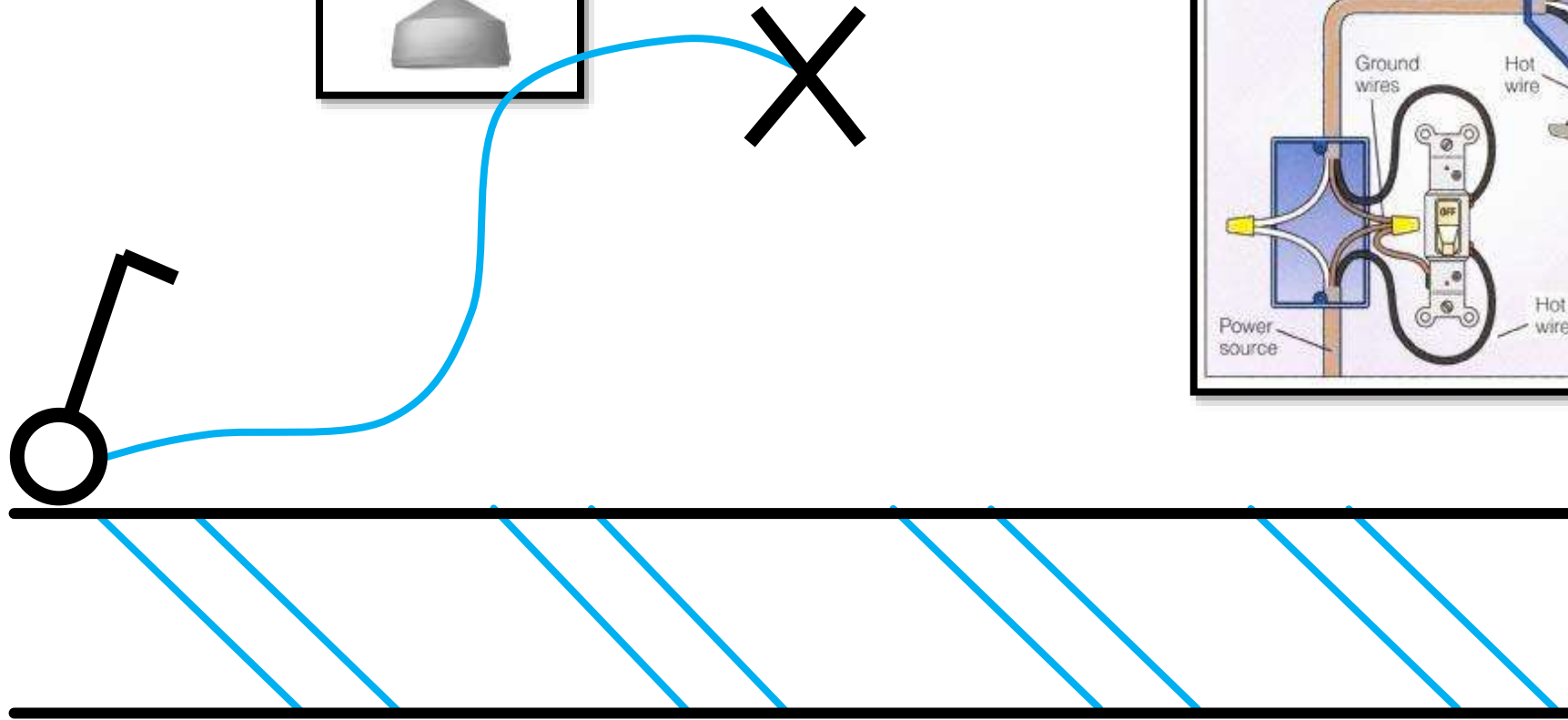
TWO WAY SWITCH



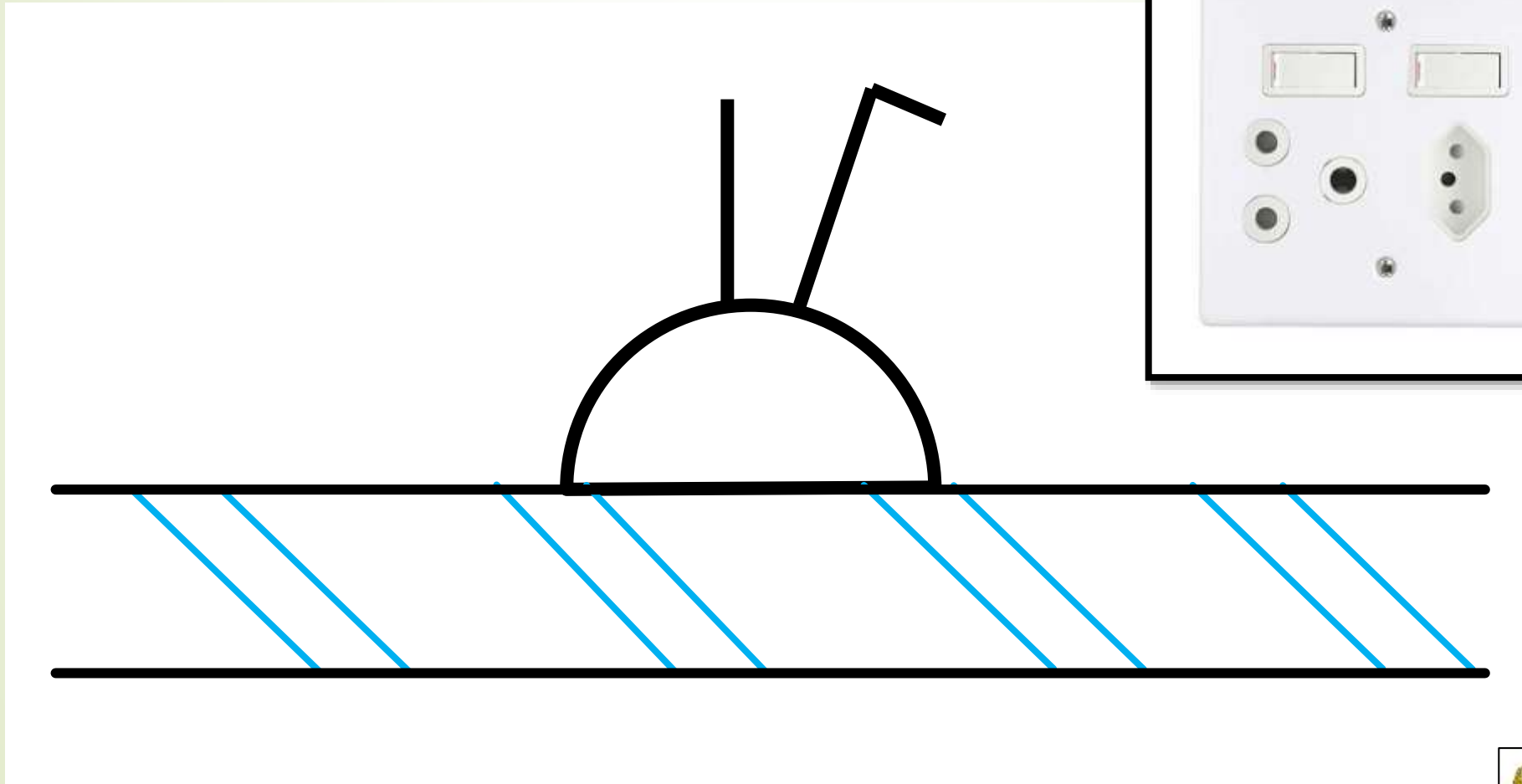
REGULATING SWITCH (DIMMER)



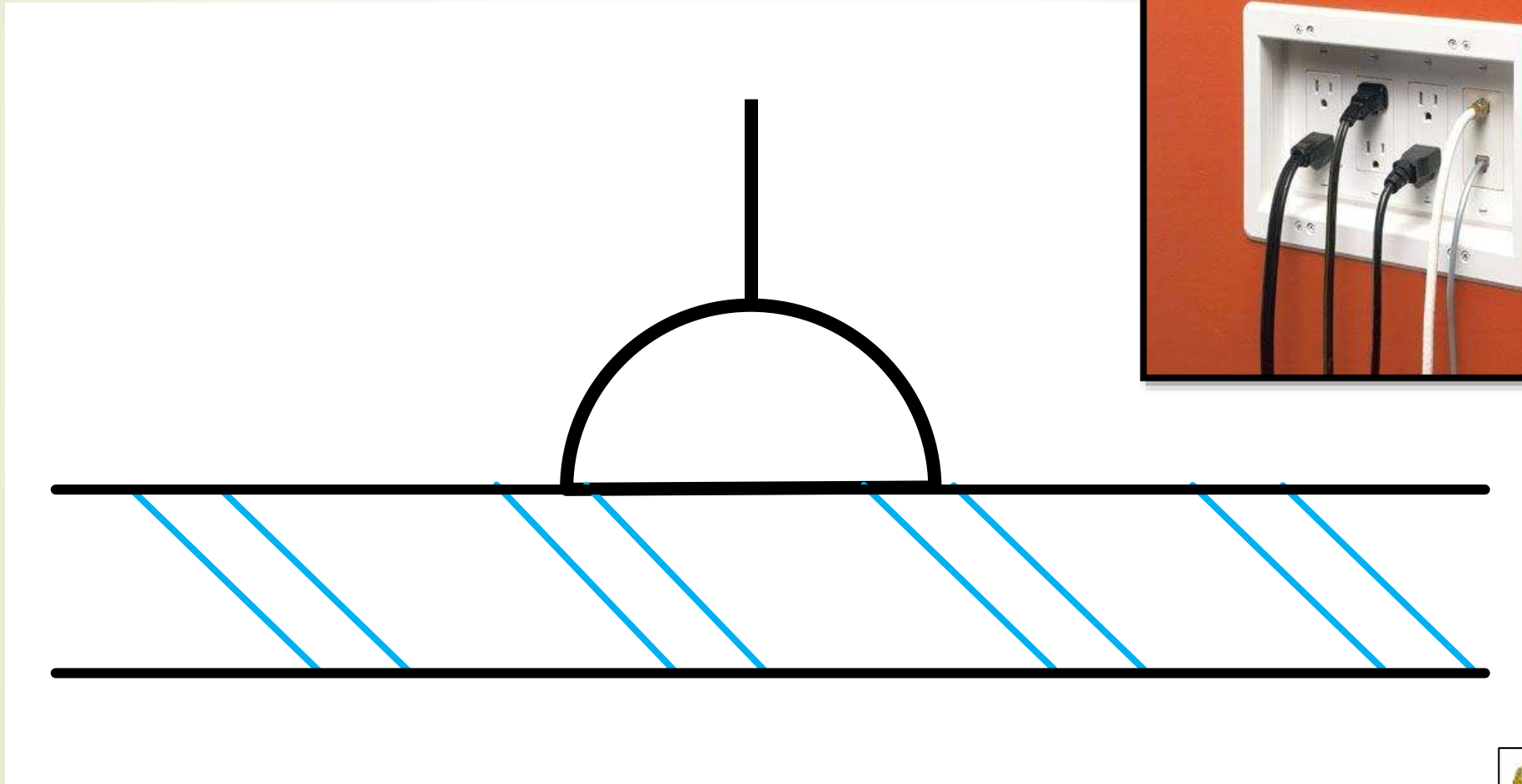
CONNECTING LIGHTS & SWITCHES



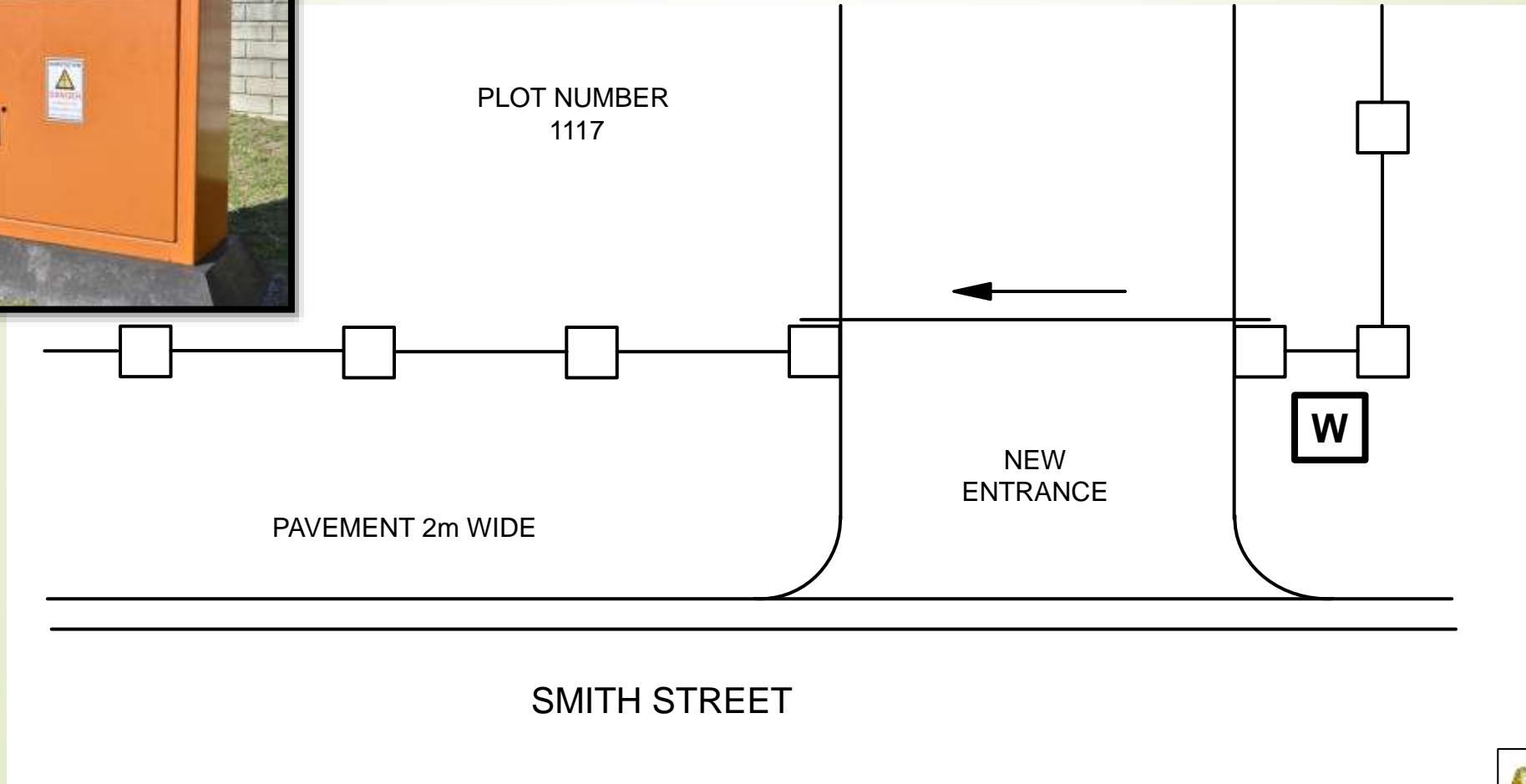
SWITCHED SOCKET OUTLET



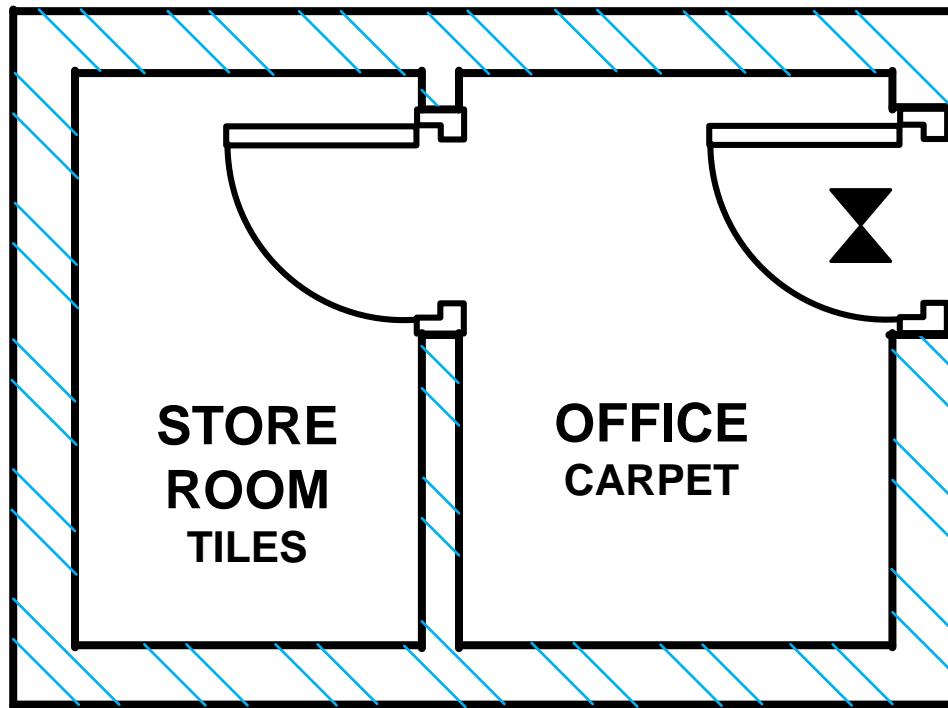
SOCKET OUTLET



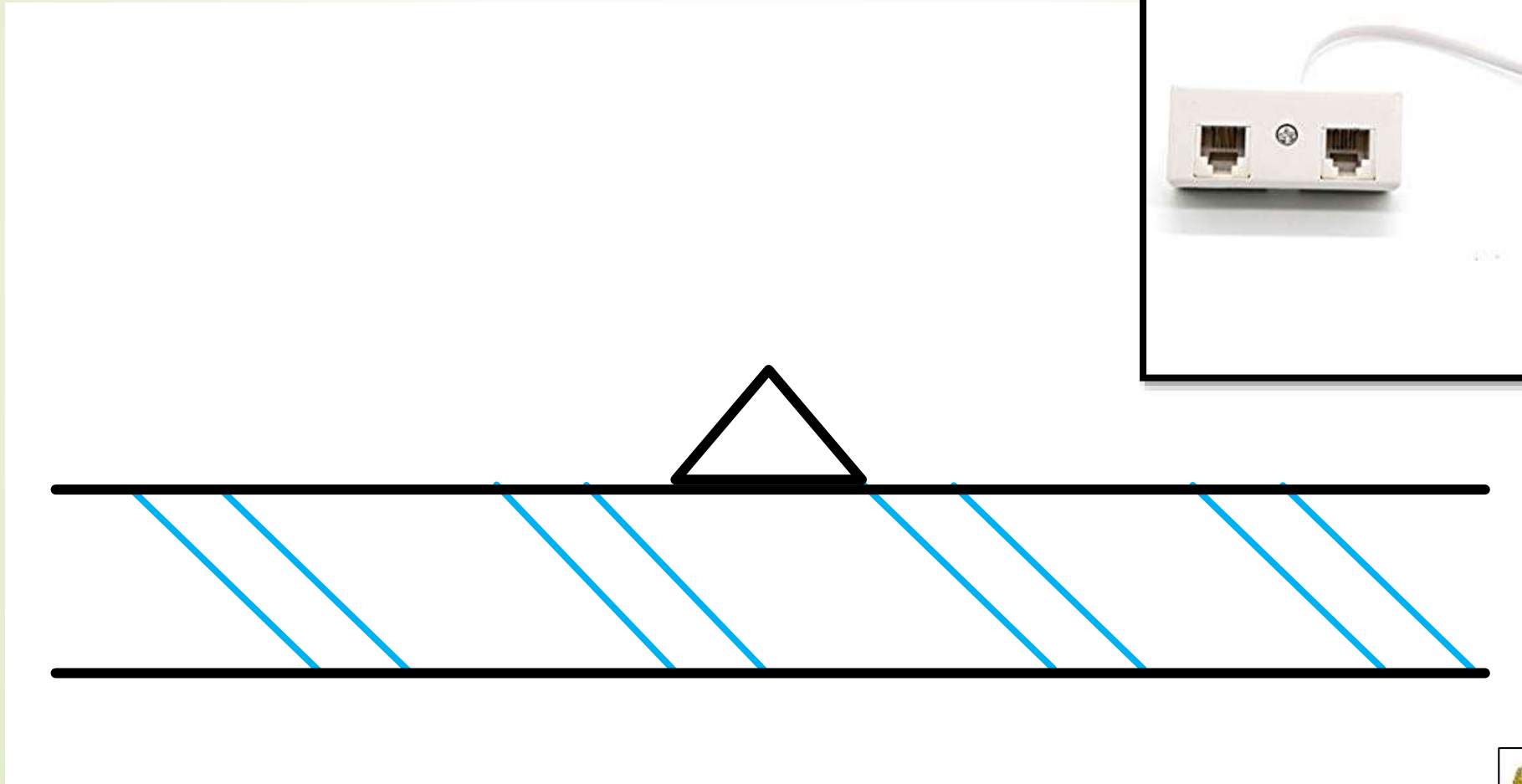
ELECTRICITY METER WATT-METER RECORDING



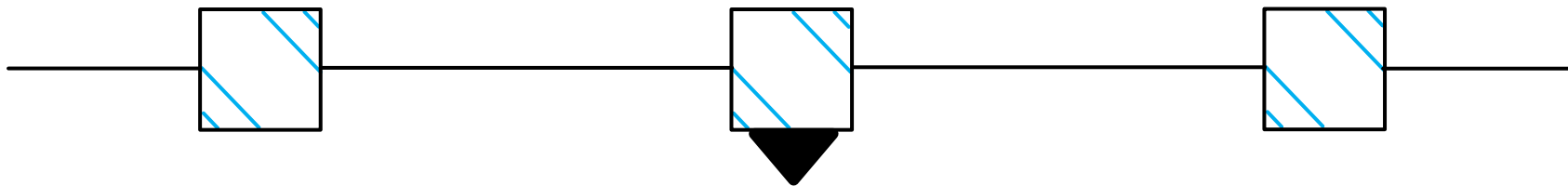
EMERGENCY LIGHTS



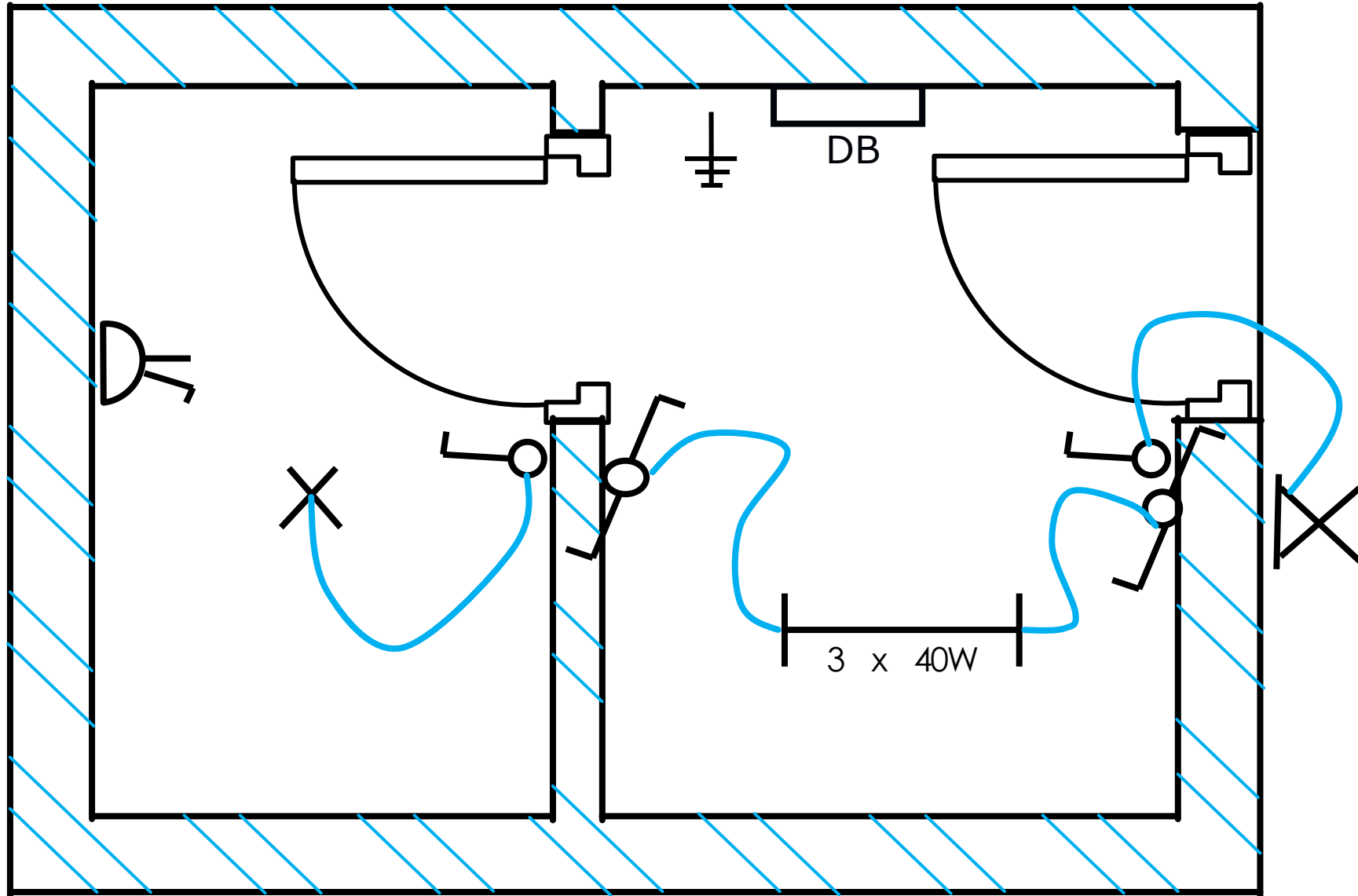
INTERNAL TELEPHONE



PUBLIC TELEPHONE



ELECTRICITY



ELECTRICITY

