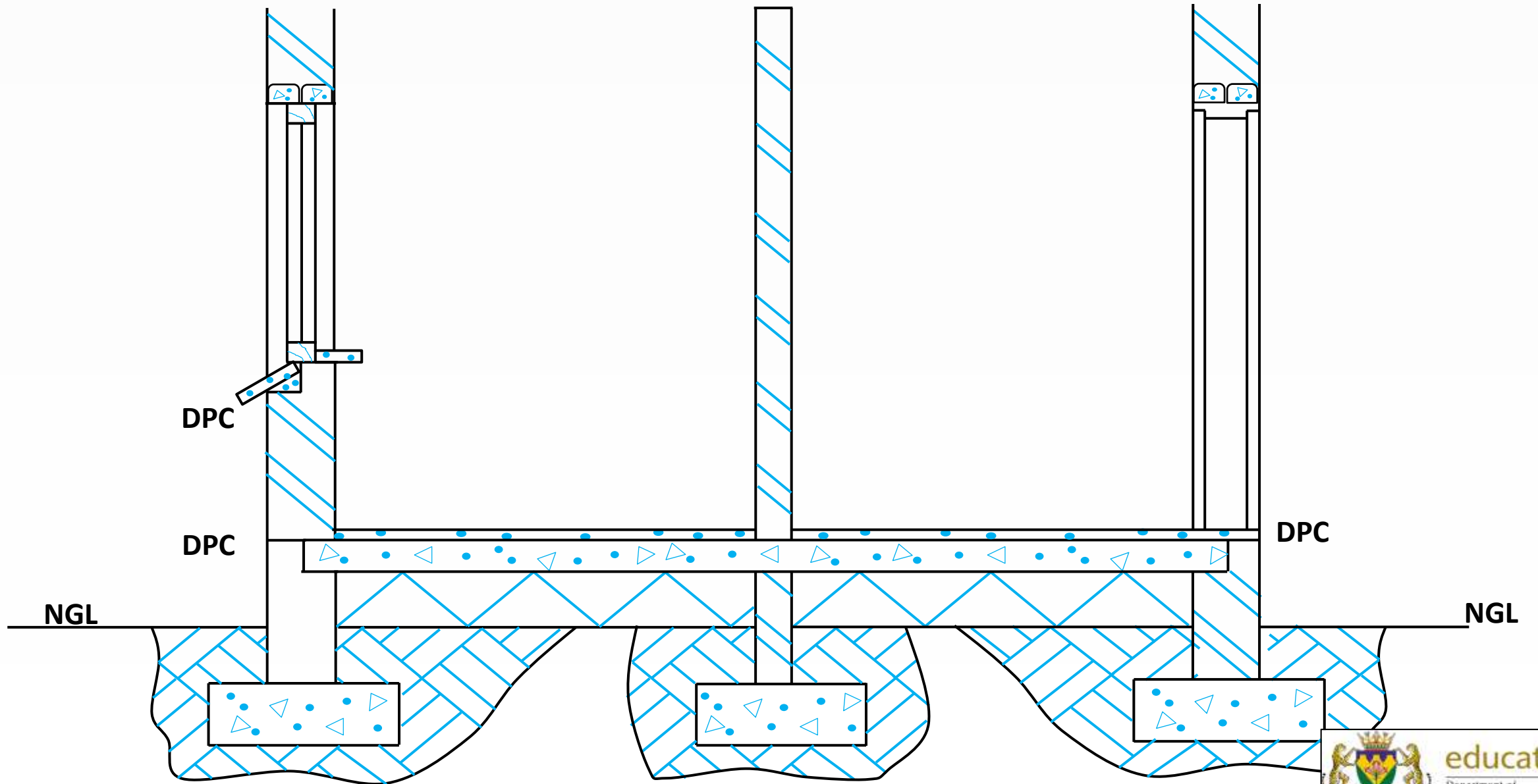


THE
CONSTRUCTION
INDUSTRY
CIVIL DRAWINGS
Sectioned Elevation -
Roof Detail

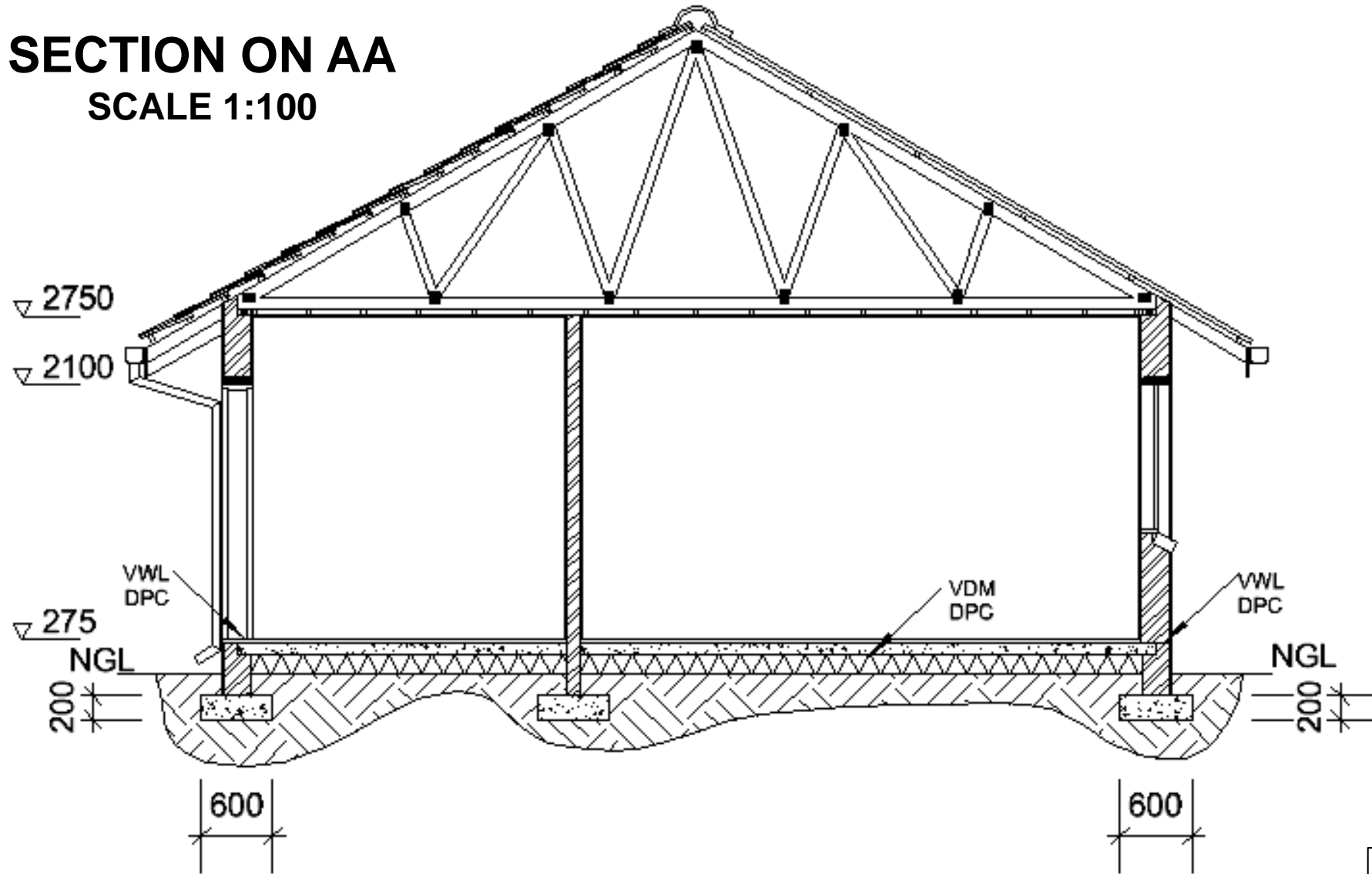
Developed by: PC Viljoen
Senior Educational Specialist for
Engineering Graphics and Design
Free State Province

SECTIONED DETAIL (Grade 10 & 11)

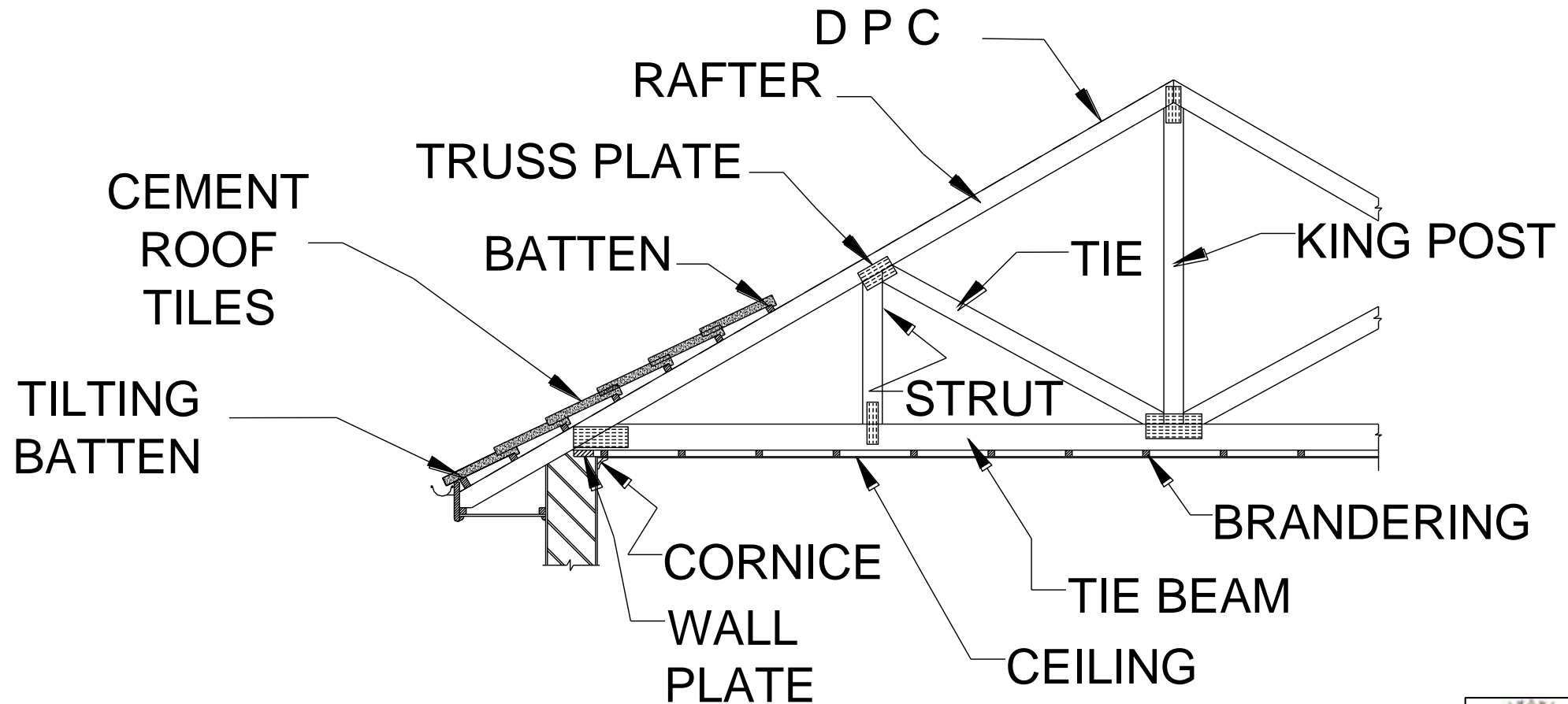


A SECTIONAL VIEW (Grade 12)

SECTION ON AA
SCALE 1:100



ROOF DETAIL TERMONOLOGY



ROOF DETAIL (Anchor Straps)

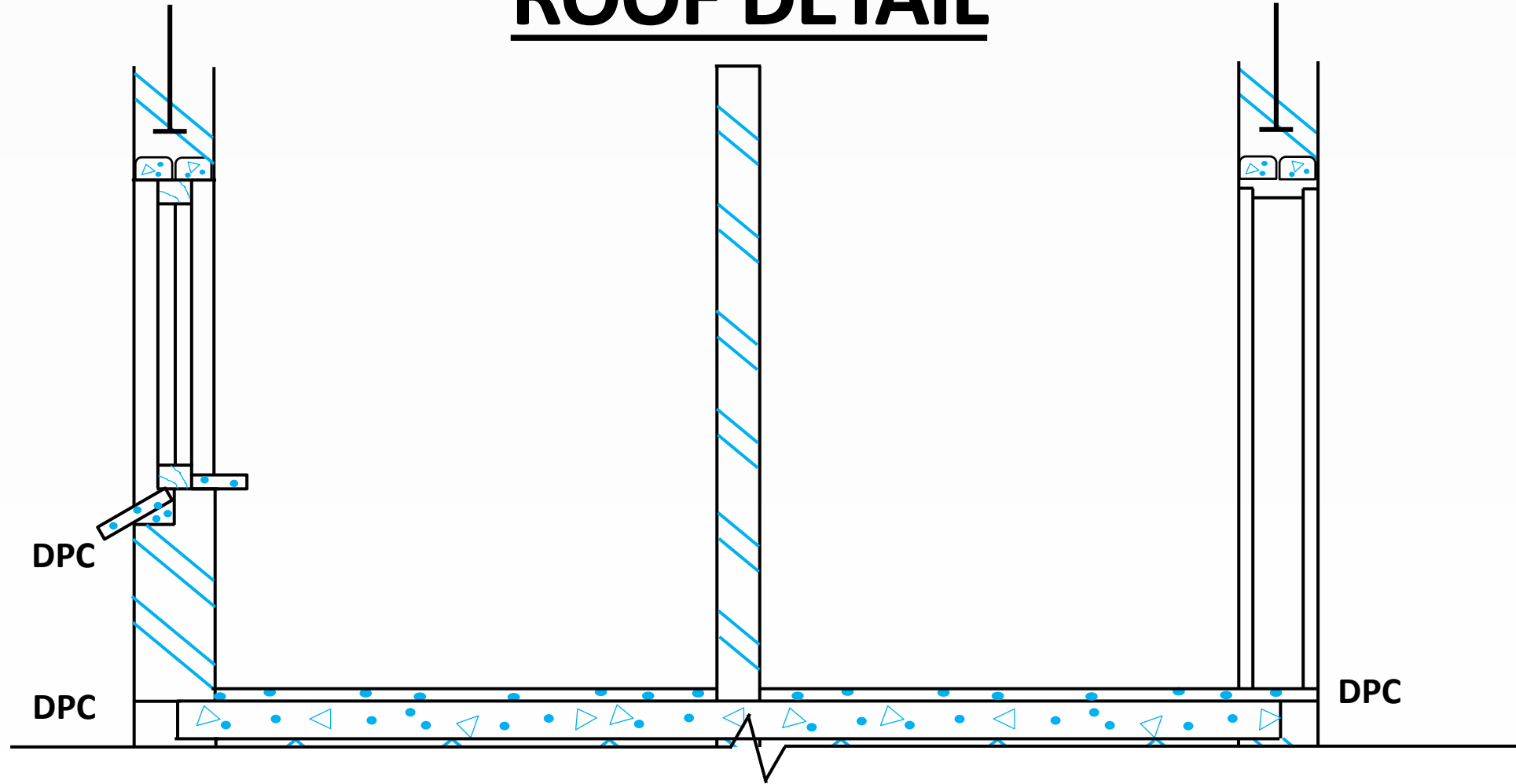
- Once finished with the lintel, just above the window, galvanized anchor straps is build inside the load bearing wall.
- Anchor straps should be between four to six courses below the end of the wall or at the start of the roof.
- The galvanized wire is used to tie the roof onto the wall plate and wall structure.

ROOF DETAIL (Anchor Straps)



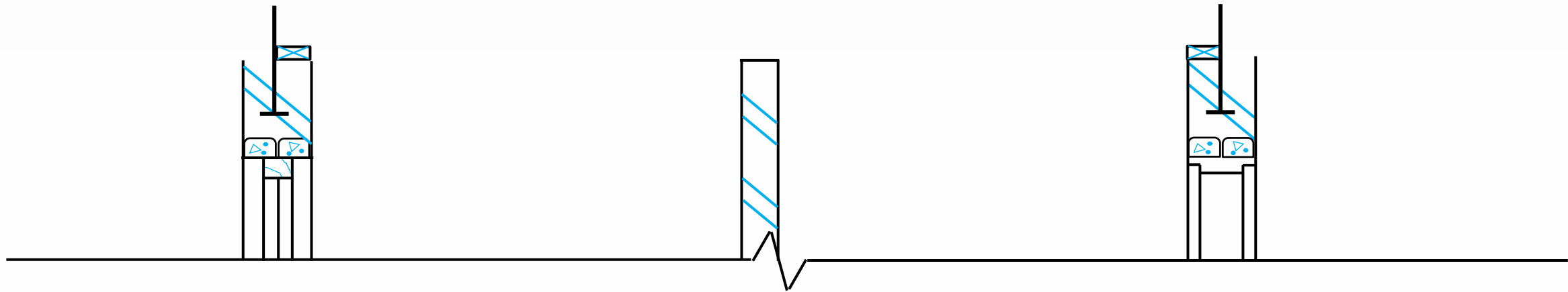
± 4 – 6 layers
of brick

ROOF DETAIL



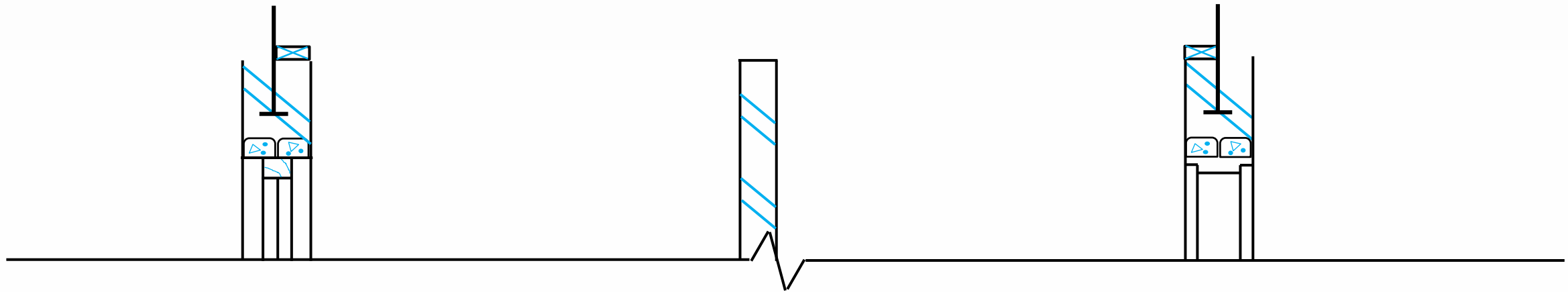
ROOF DETAIL (Wall Plate)

- Insert the **wall plate**



ROOF DETAIL (Wall Plate)

- A **wall plate** is a length of timber bedded on top of the internal leaf of an external (load bearing) wall.



ROOF DETAIL (Wall Plate)



ROOF DETAIL (Roof Profiles)

- Roof profiles at different angles

FINK



BOBTAIL



RAISED TIE SCISSORS



SCISSORS



DOUBLE W



FAN



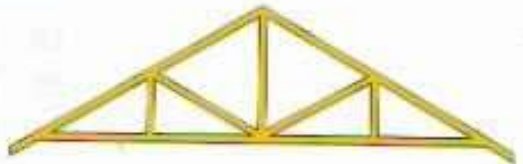
PARALLEL CHORD



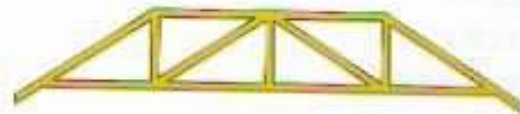
LOW PROFILE



HOWE GIRDER



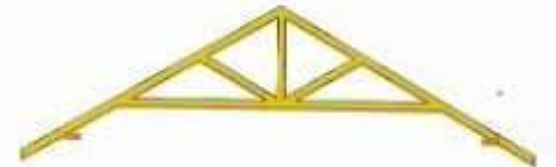
FLAT TOP



CLERESTORY

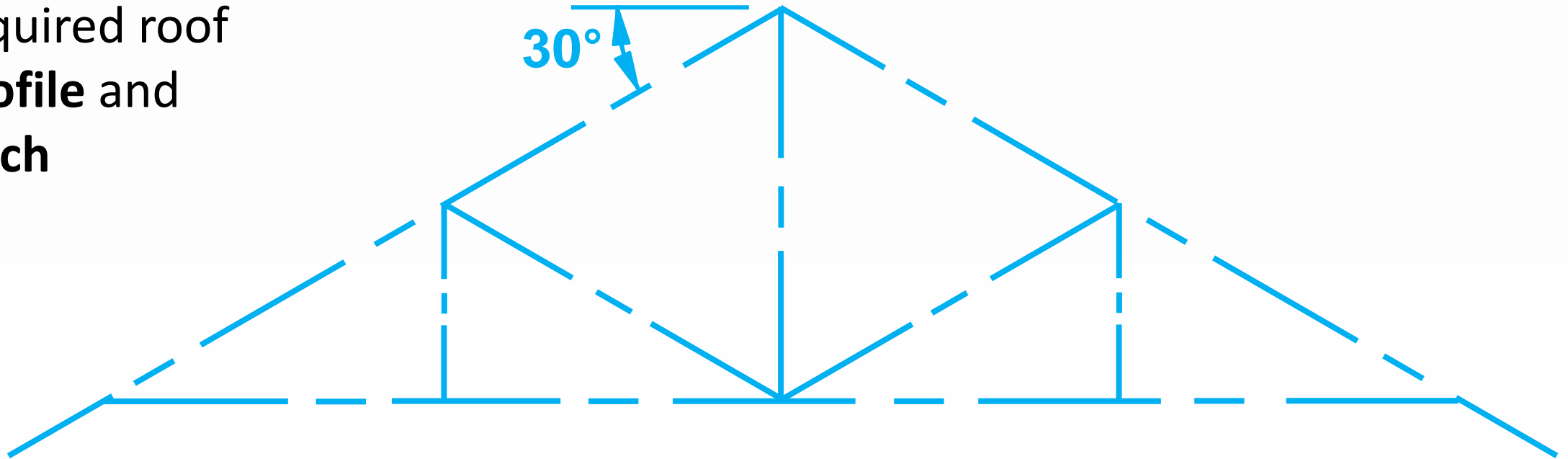


RAISED TIE



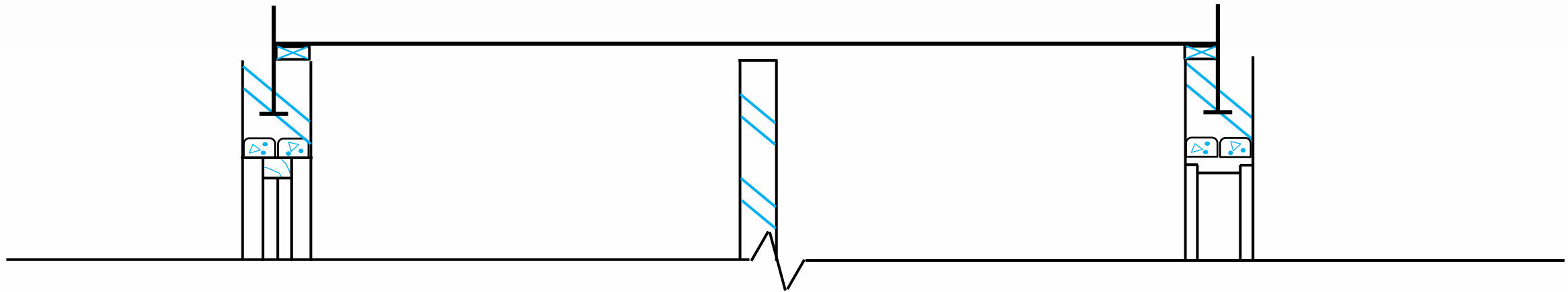
ROOF DETAIL (Roof Profiles)

- Select the required roof **profile** and **pitch**



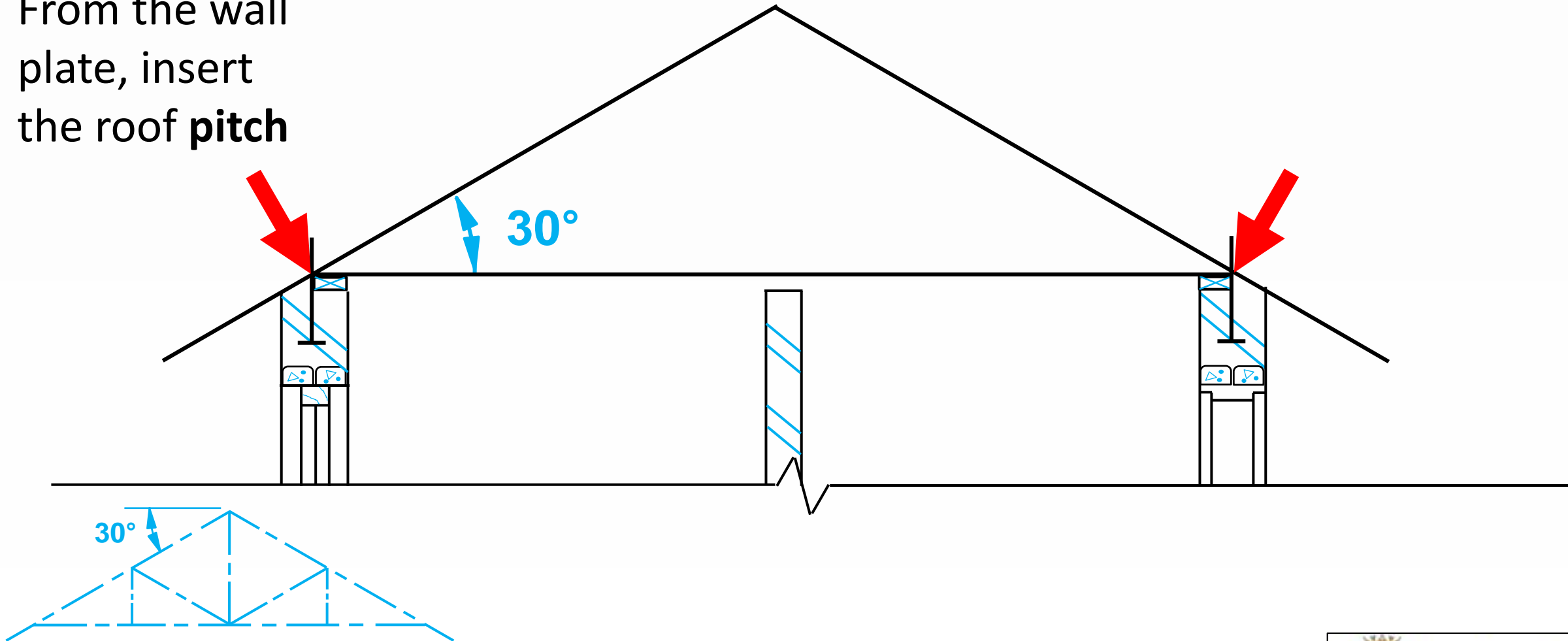
ROOF DETAIL (Roof Profiles)

- Join the bottom line of the **tie beam**



ROOF DETAIL (Roof Profiles)

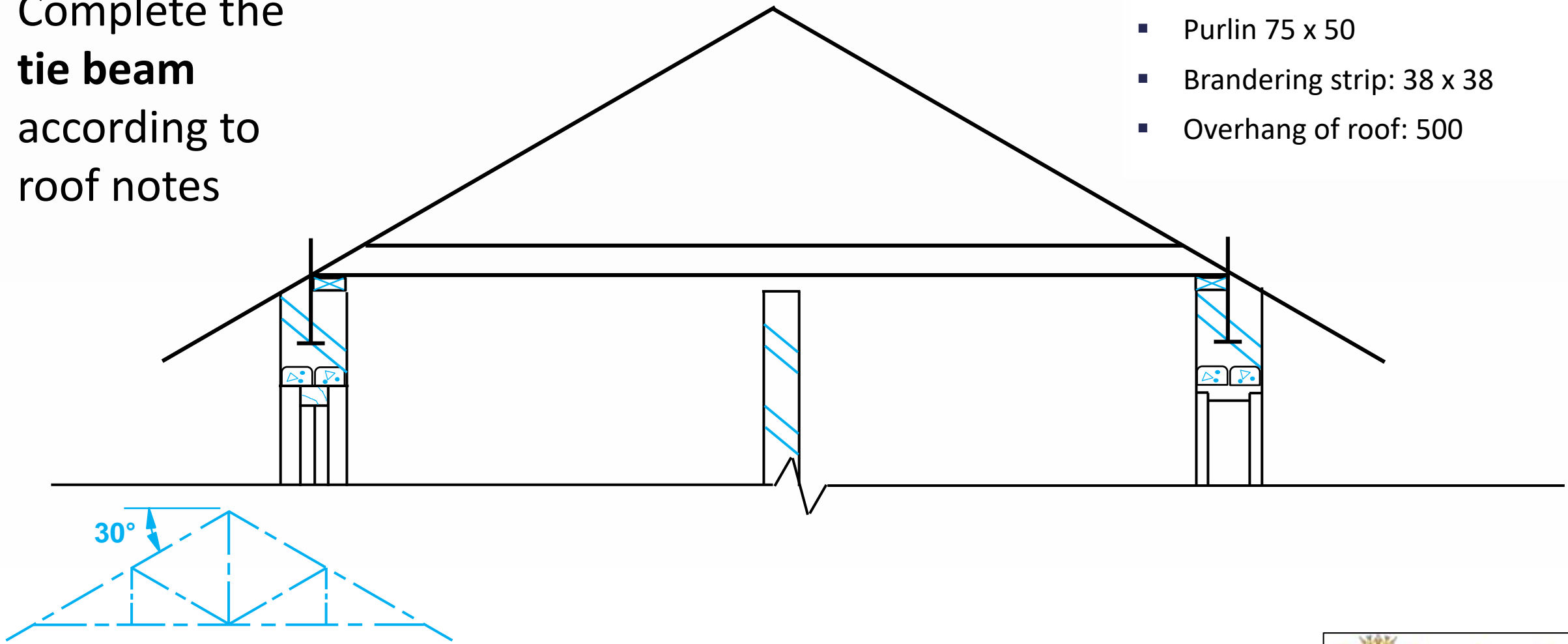
- From the wall plate, insert the roof **pitch**



ROOF DETAIL (Truss)

- Complete the **tie beam** according to roof notes

- ROOF NOTES
- Tie beam: 114 x 38
 - Rafter: 114 x 38
 - Wall plate: 114 x 38
 - Purlin 75 x 50
 - Brandering strip: 38 x 38
 - Overhang of roof: 500

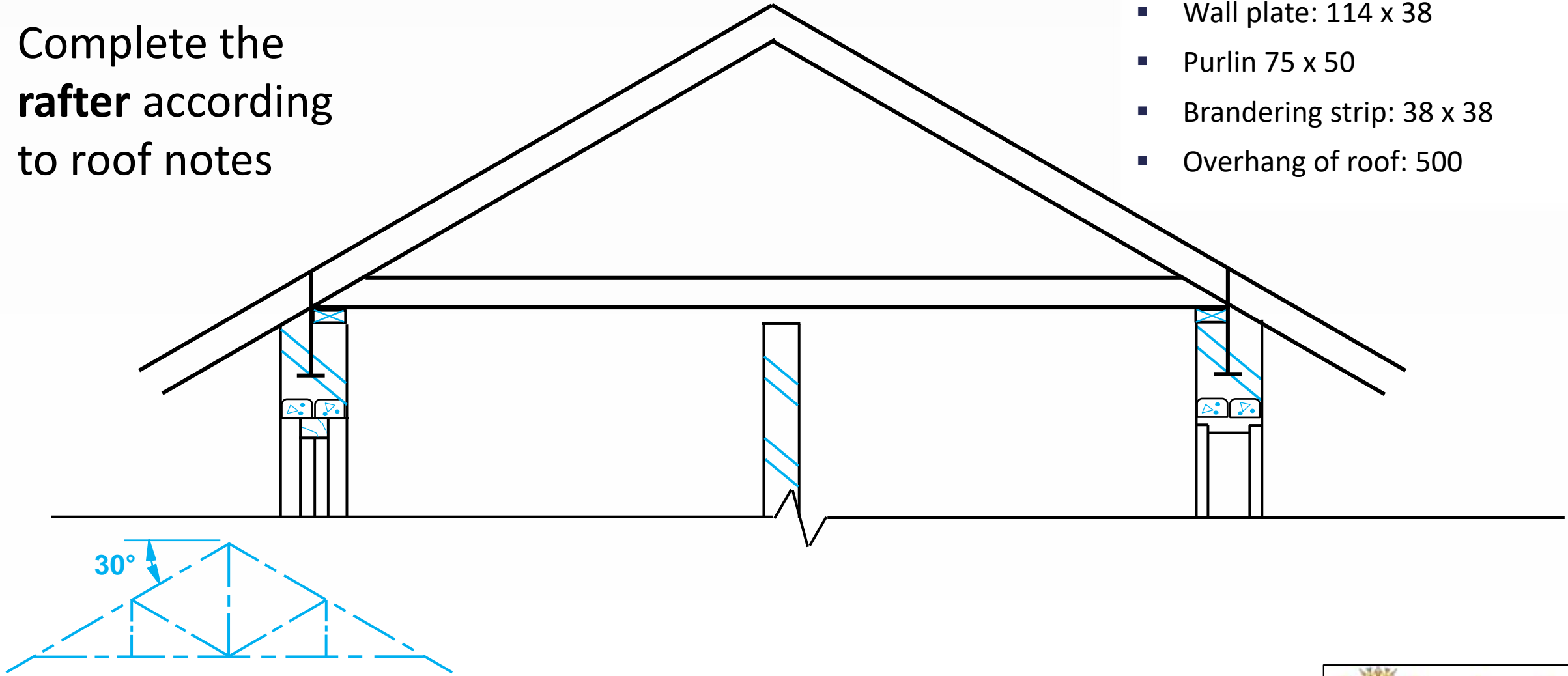


ROOF DETAIL (Truss)

- Complete the **rafter** according to roof notes

ROOF NOTES

- Tie beam: 114 x 38
- Rafter: 114 x 38
- Wall plate: 114 x 38
- Purlin 75 x 50
- Brandering strip: 38 x 38
- Overhang of roof: 500



ROOF DETAIL (Truss)

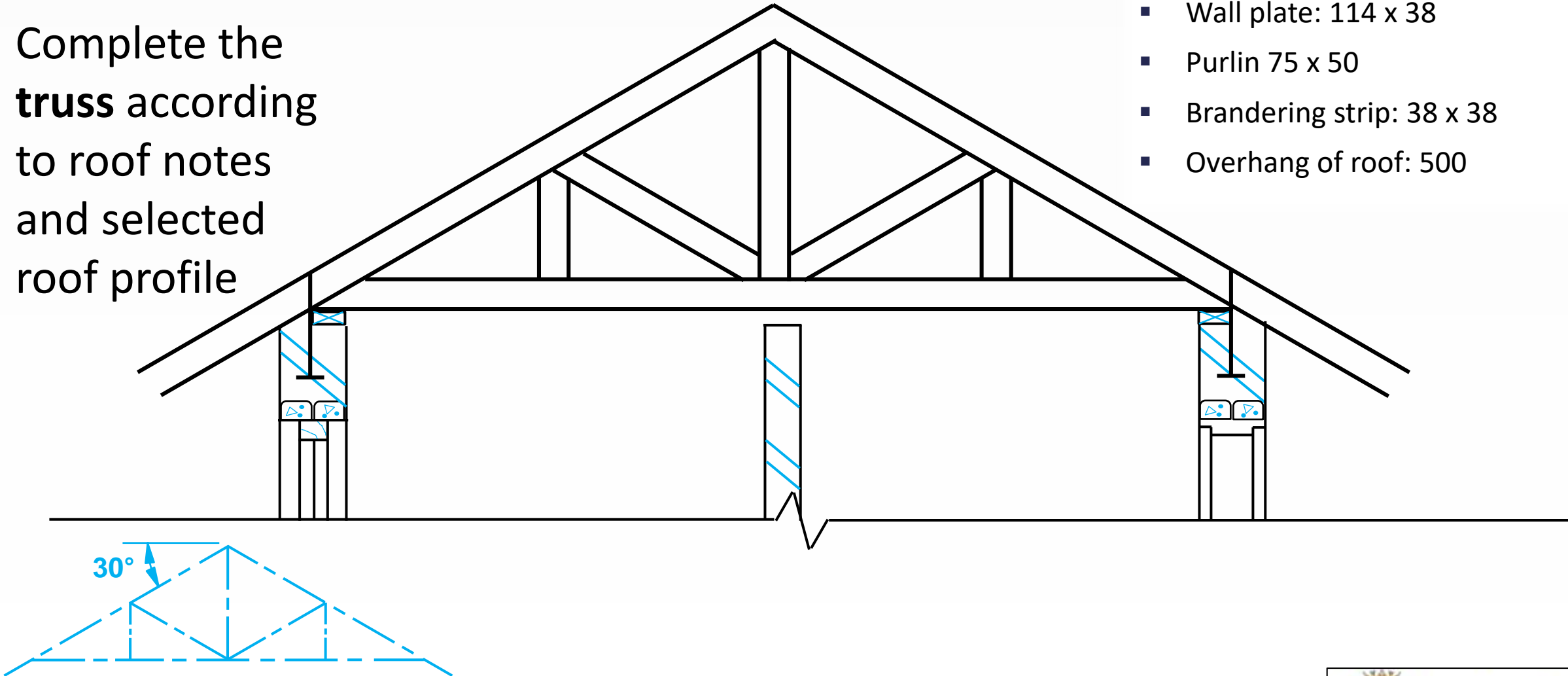


ROOF DETAIL (Truss)

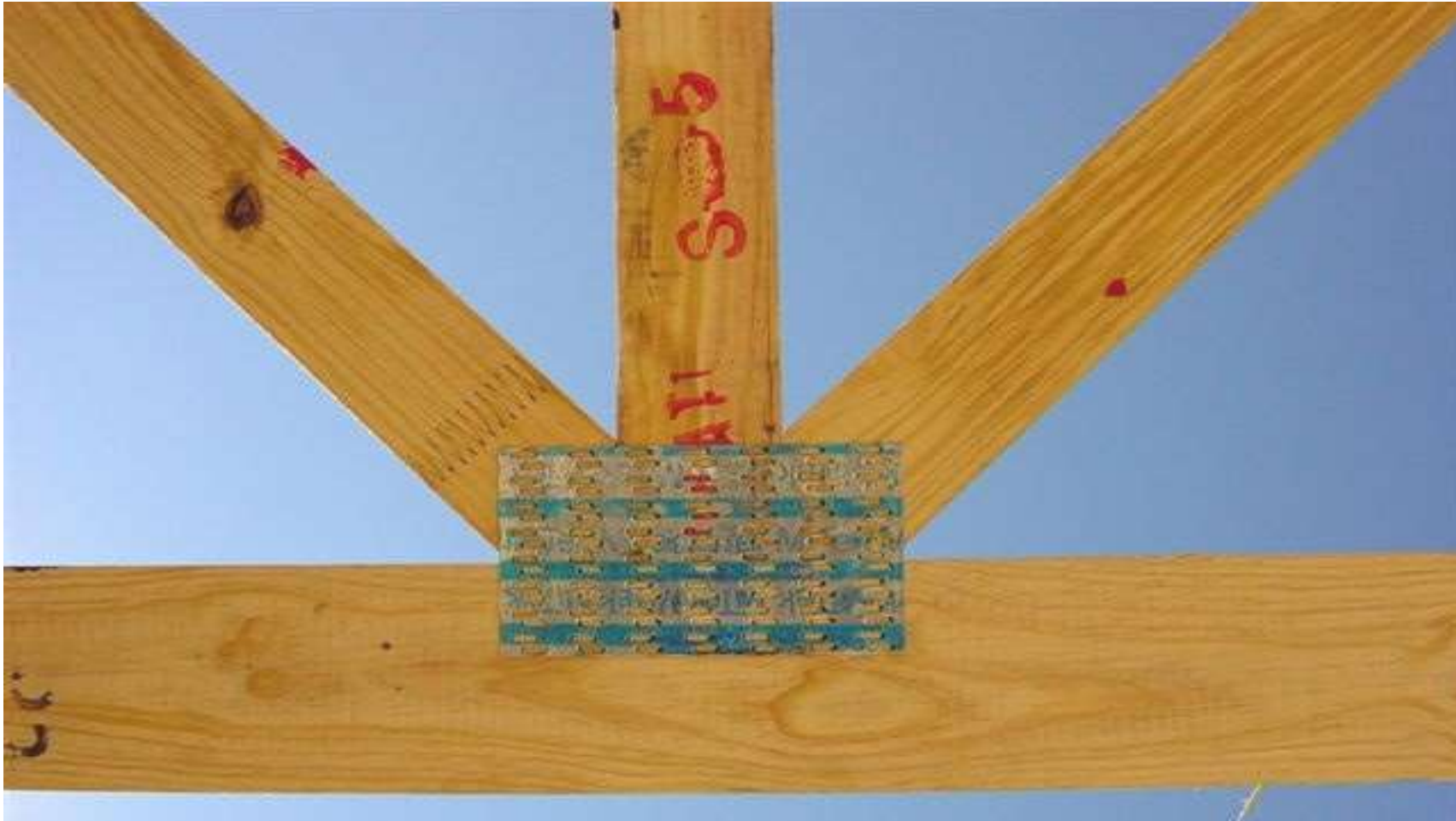
- Complete the **truss** according to roof notes and selected roof profile

ROOF NOTES

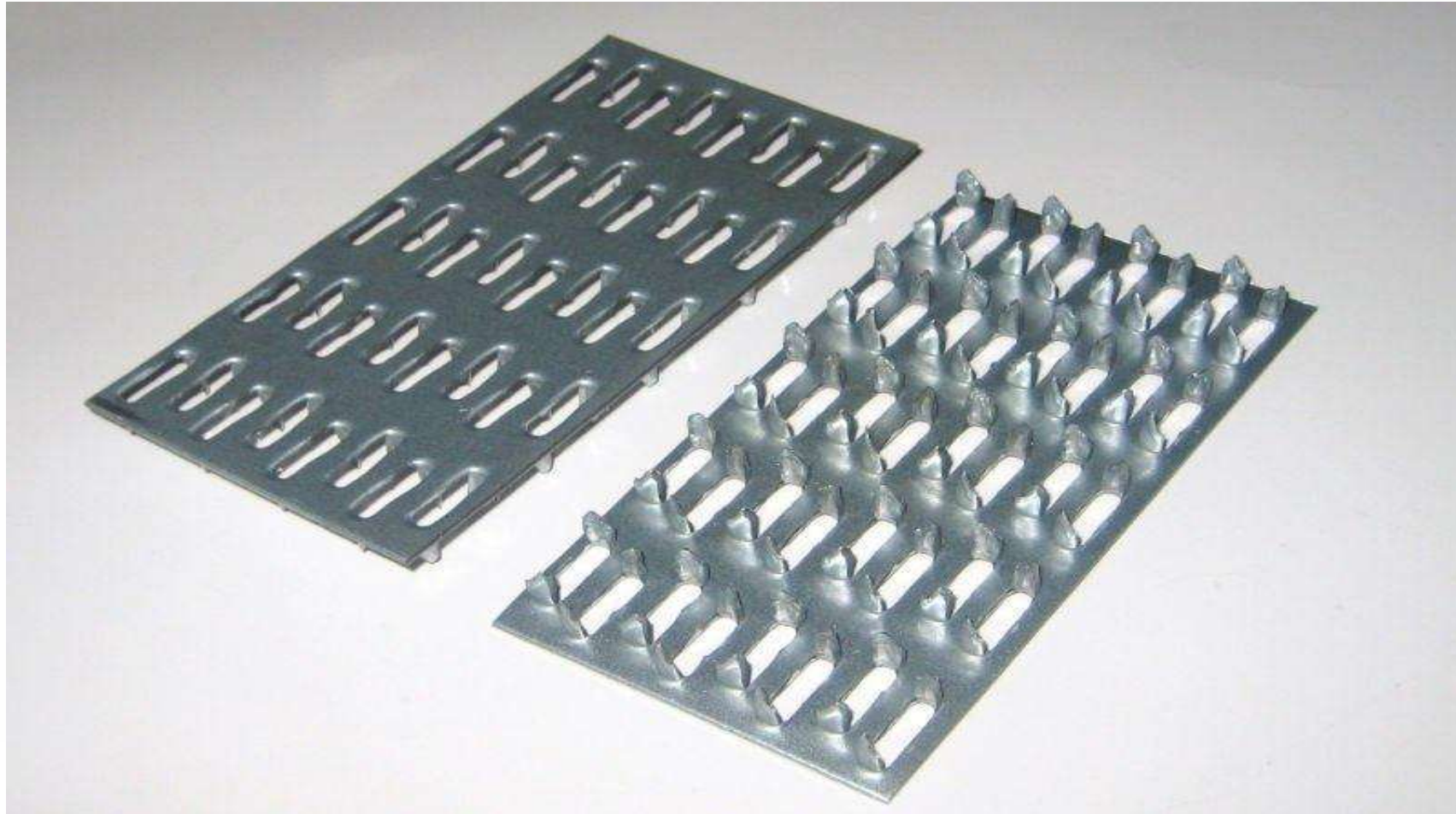
- Tie beam: 114 x 38
- Rafter: 114 x 38
- Wall plate: 114 x 38
- Purlin 75 x 50
- Brandering strip: 38 x 38
- Overhang of roof: 500



ROOF DETAIL (Gang nails)

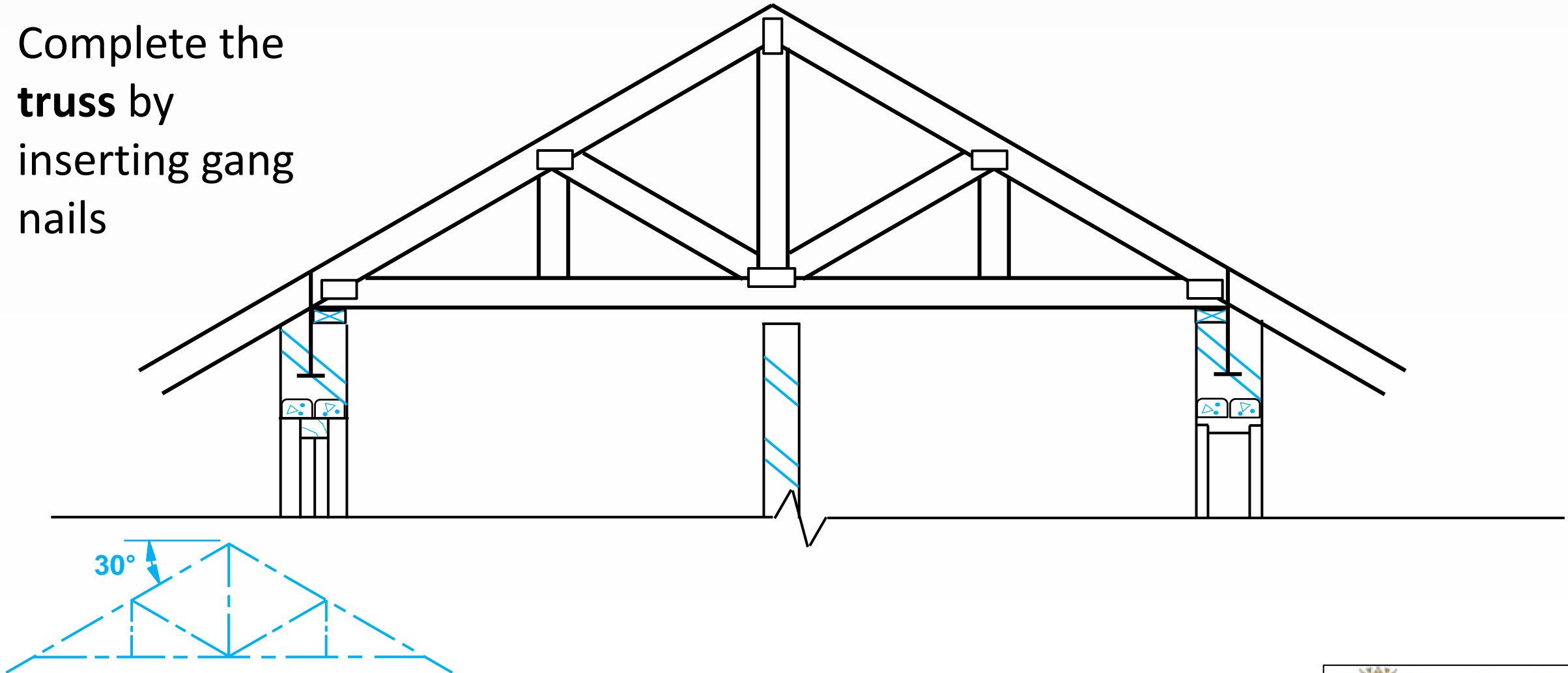


ROOF DETAIL (Gang nails)



ROOF DETAIL (Gang nails)

- Complete the **truss** by inserting gang nails

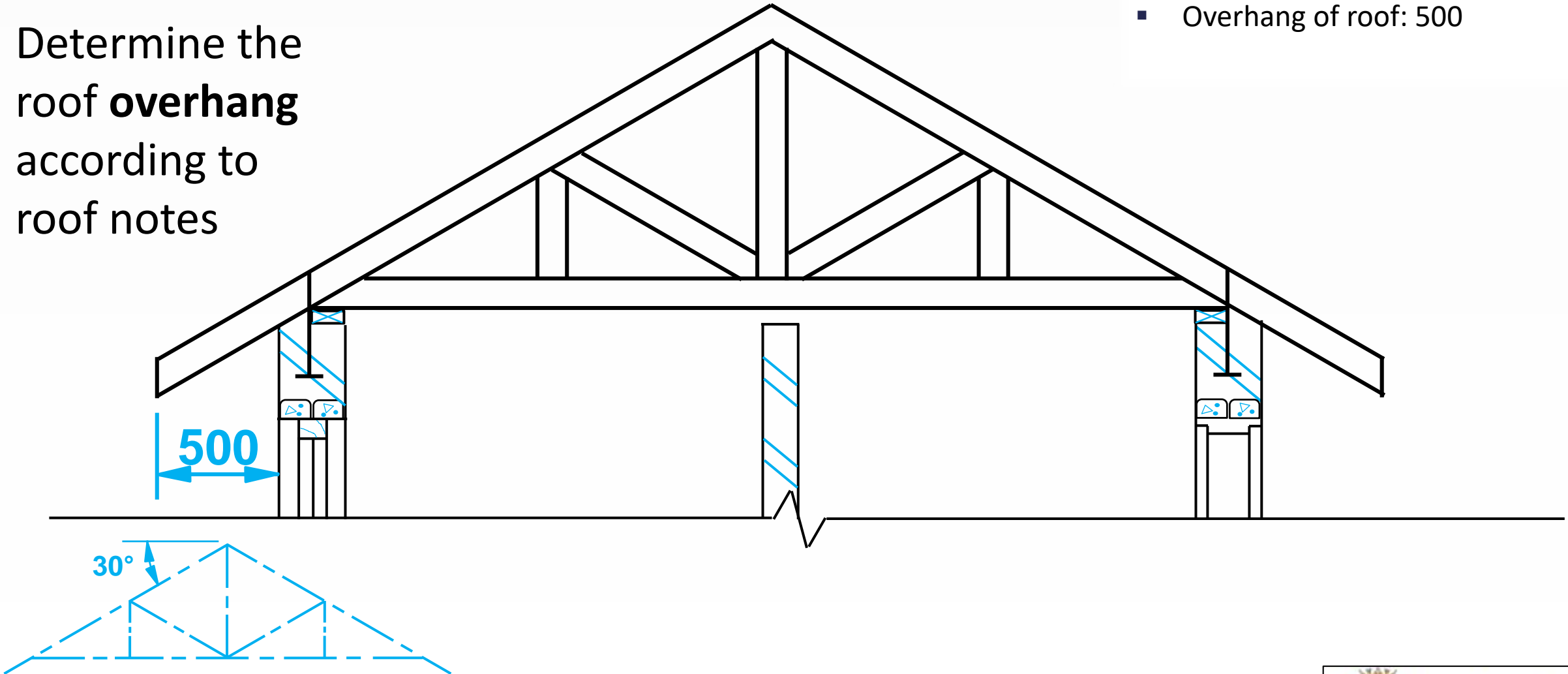


ROOF DETAIL (overhang)

- Determine the roof **overhang** according to roof notes

ROOF NOTES

- Overhang of roof: 500

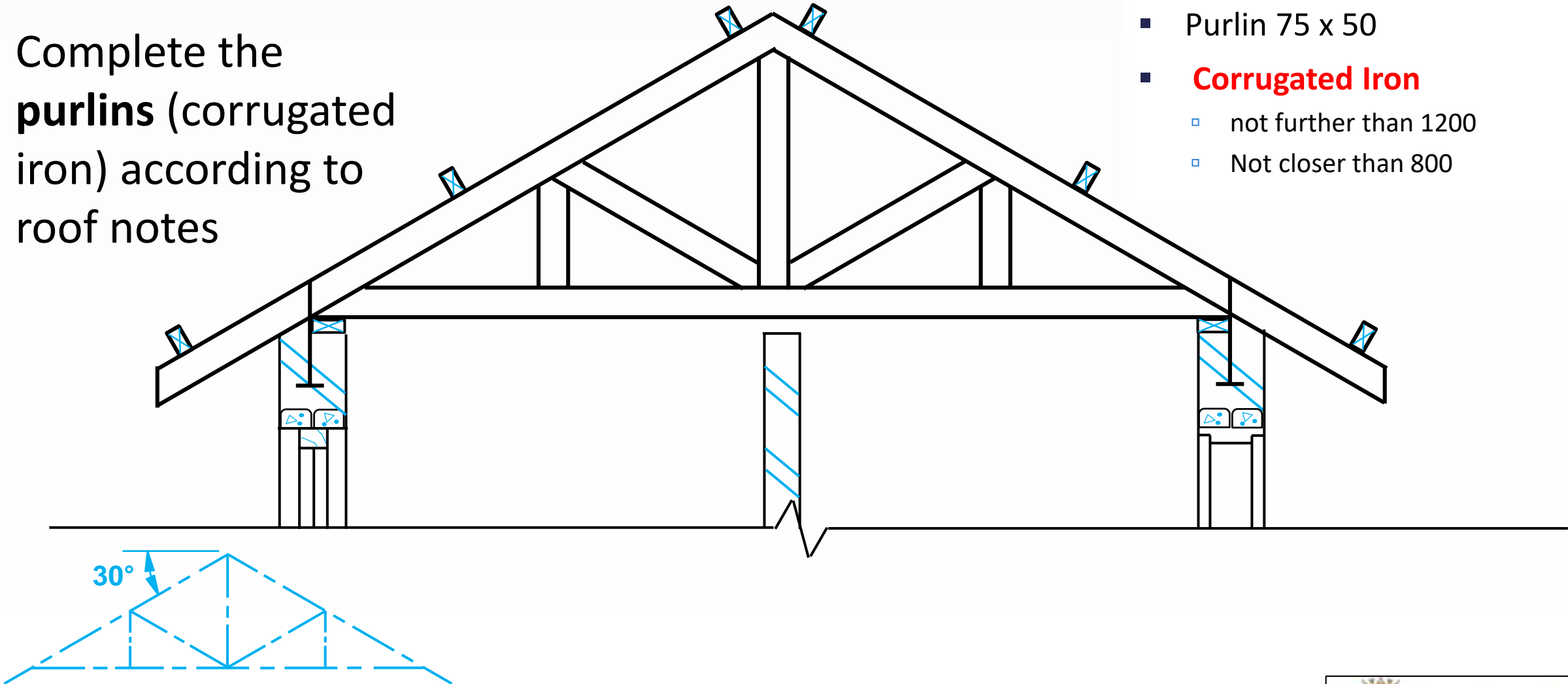


ROOF DETAIL (Purlins)

- Complete the **purlins** (corrugated iron) according to roof notes

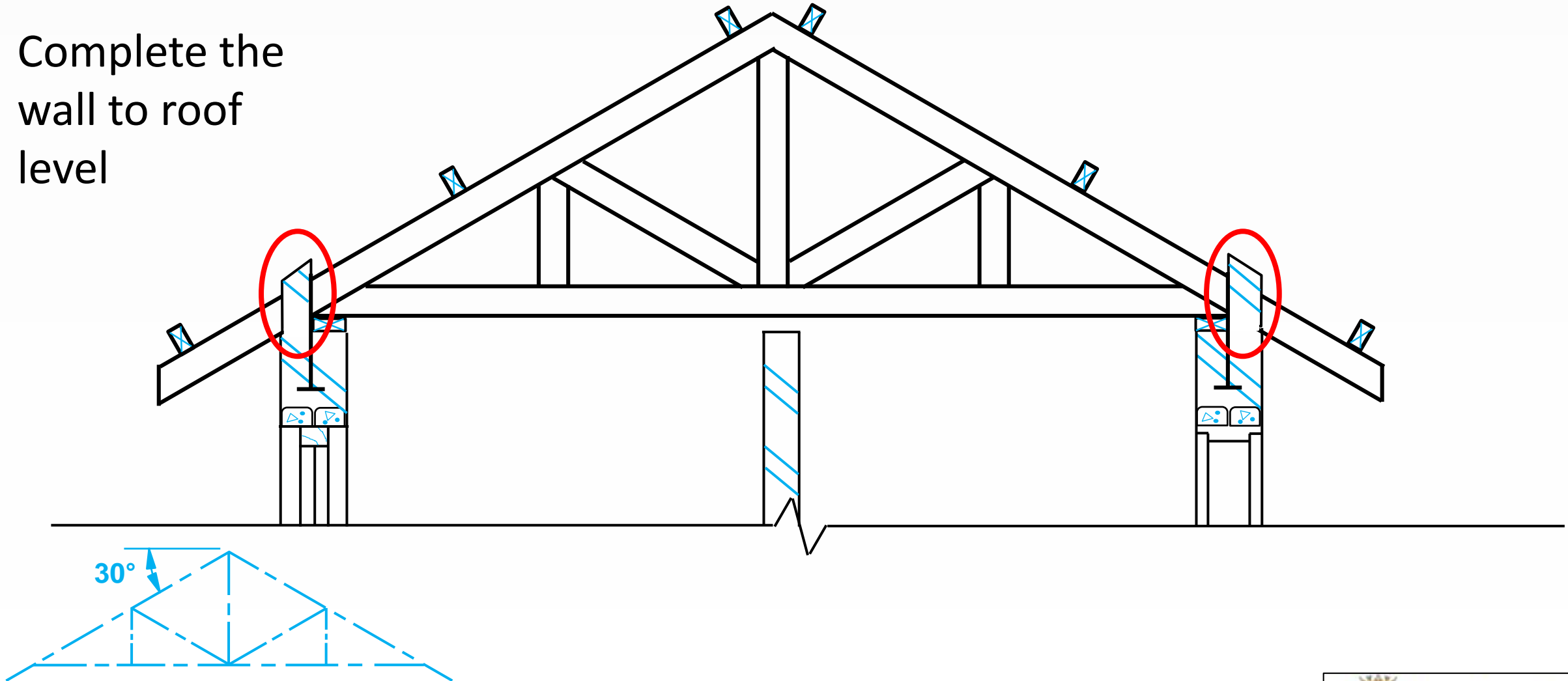
ROOF NOTES

- Purlin 75 x 50
- **Corrugated Iron**
 - ▣ not further than 1200
 - ▣ Not closer than 800



ROOF DETAIL

- Complete the wall to roof level



ROOF DETAIL



ROOF DETAIL

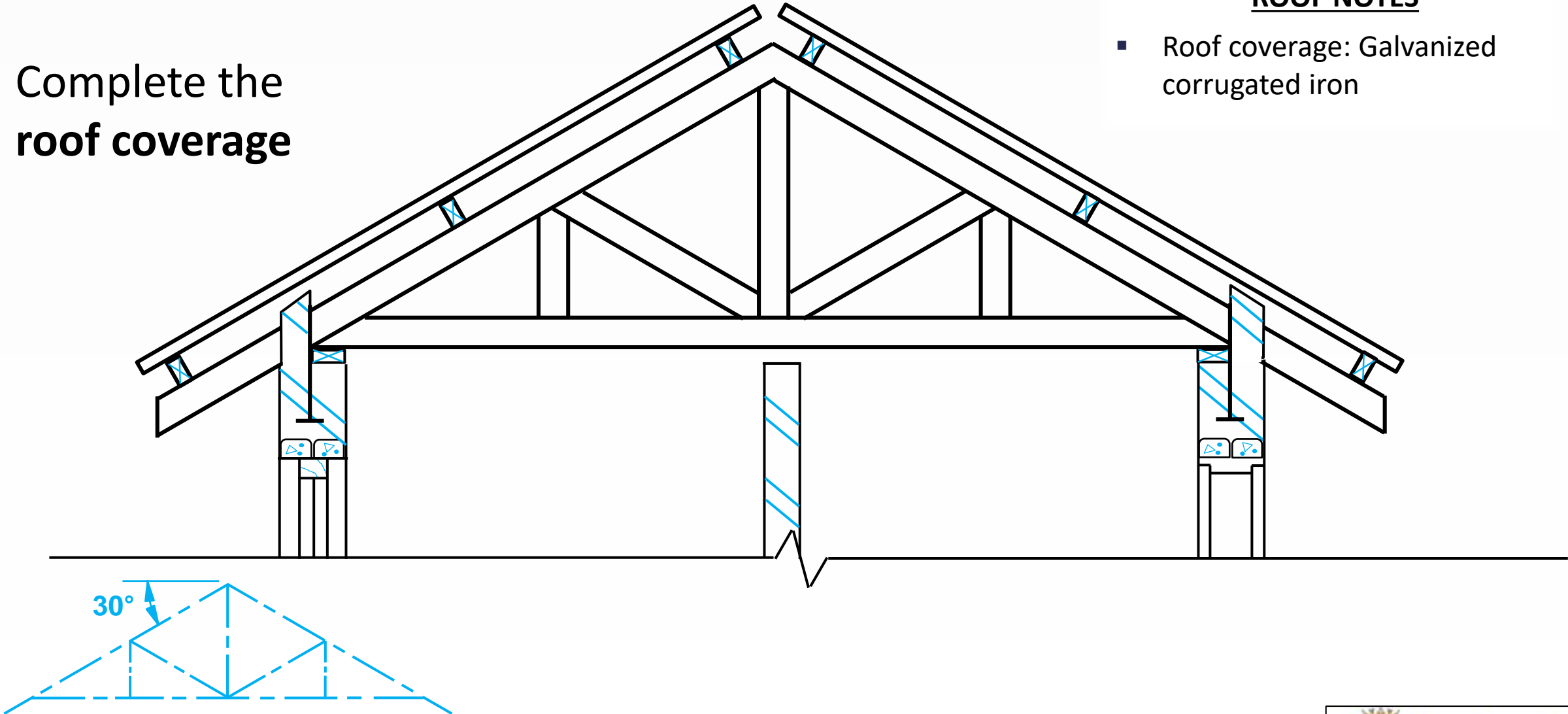


ROOF DETAIL (Roof coverage)

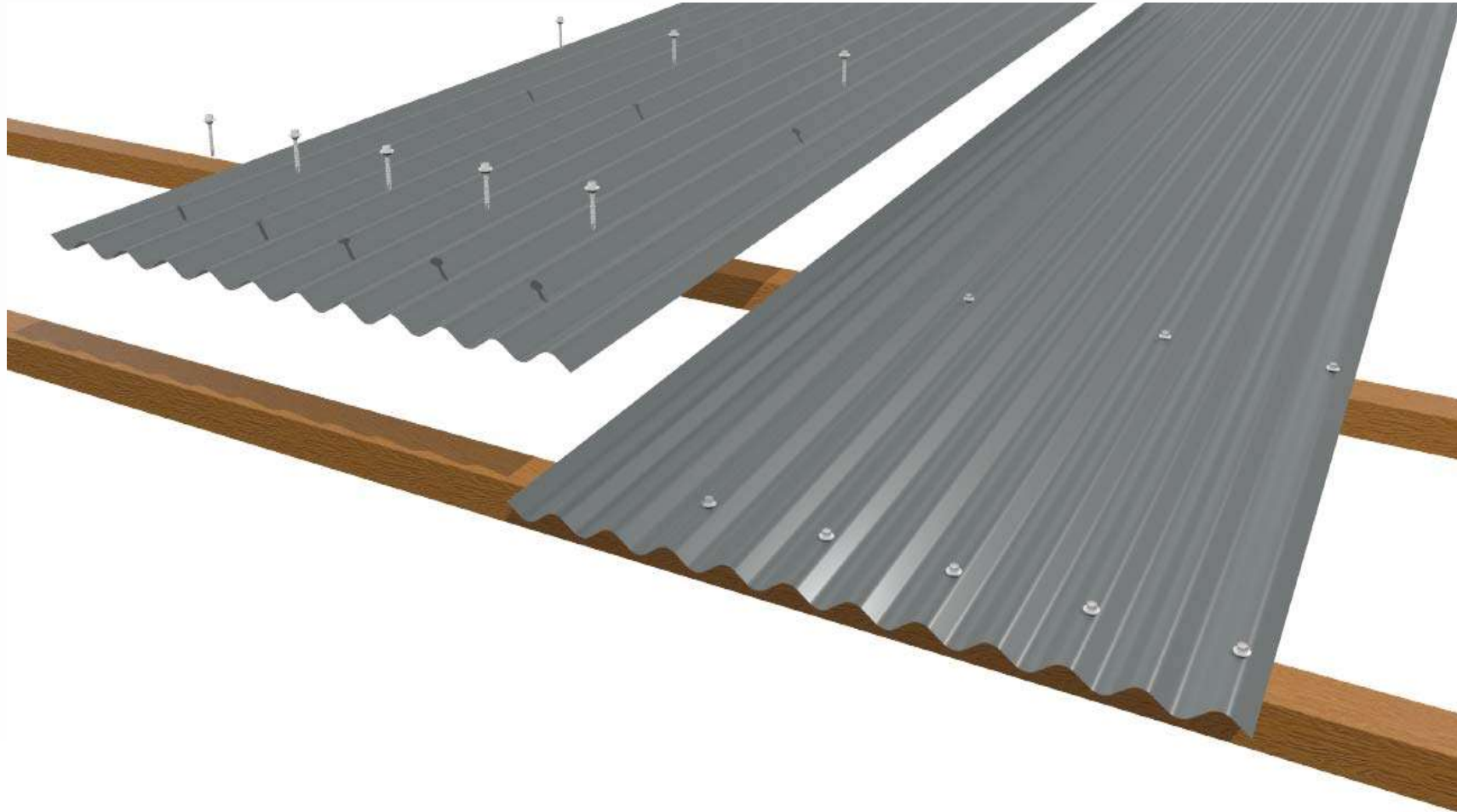
- Complete the roof coverage

ROOF NOTES

- Roof coverage: Galvanized corrugated iron



ROOF DETAIL (Roof coverage)

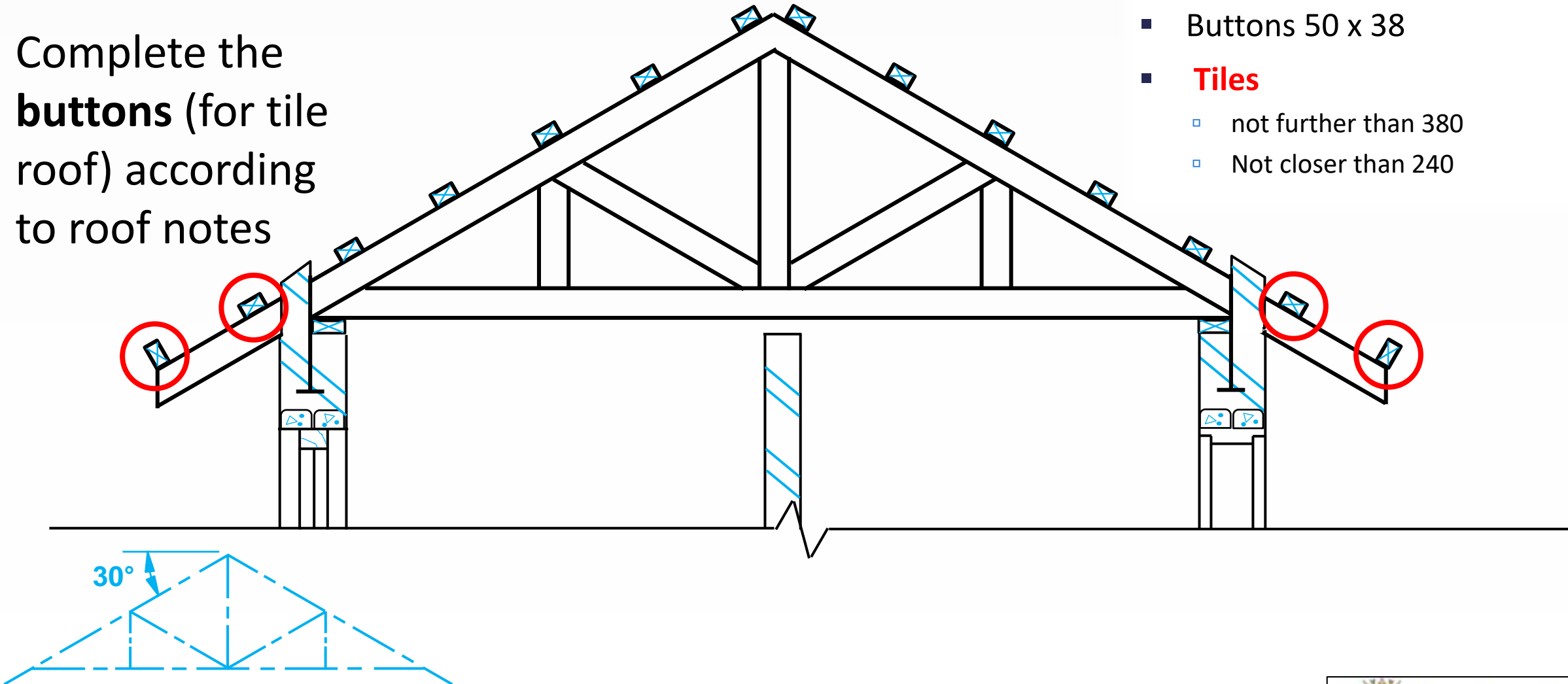


ROOF DETAIL (Roof coverage)

ROOF NOTES

- Complete the **buttons** (for tile roof) according to roof notes

- Buttons 50 x 38
- **Tiles**
 - not further than 380
 - Not closer than 240

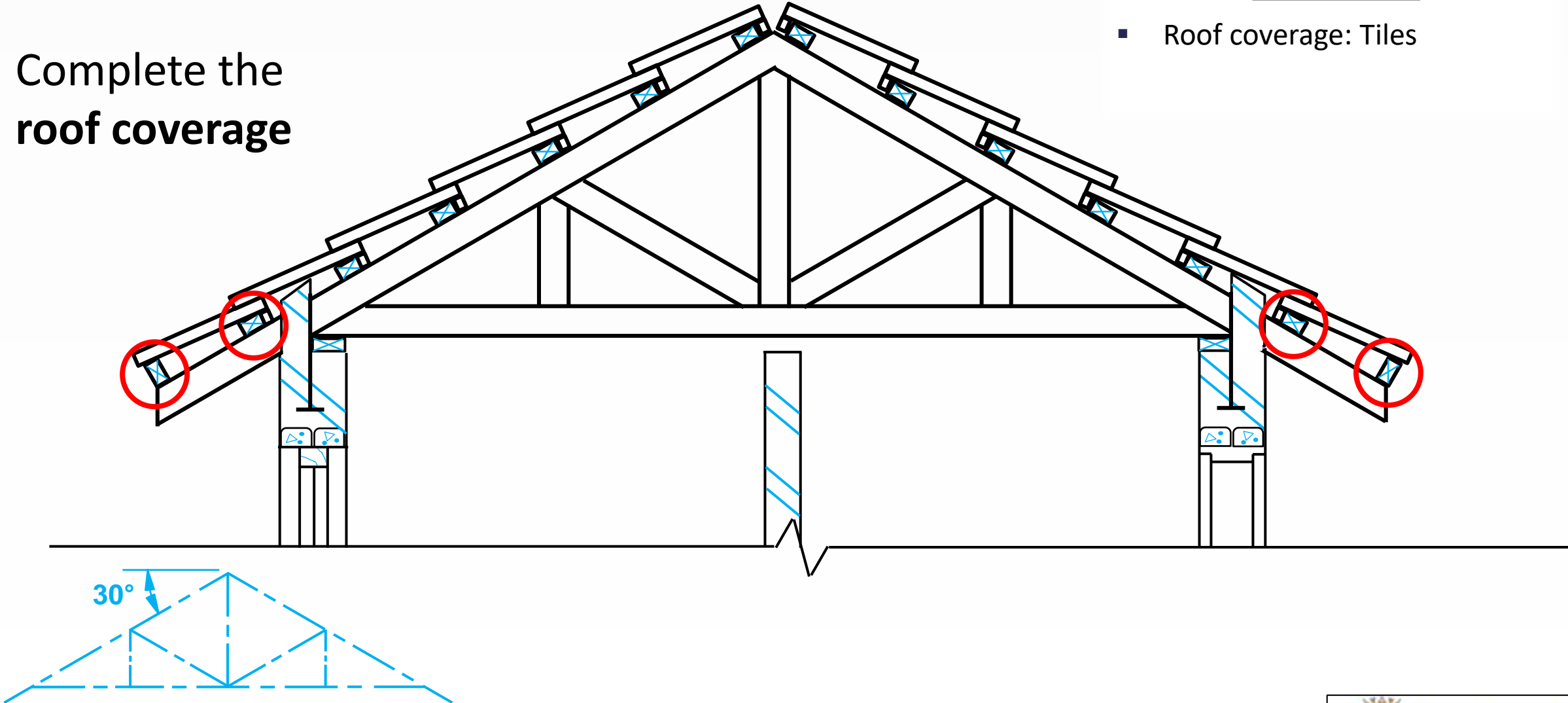


ROOF DETAIL (Roof coverage)

ROOF NOTES

- Complete the roof coverage

- Roof coverage: Tiles



ROOF DETAIL (Roof coverage)

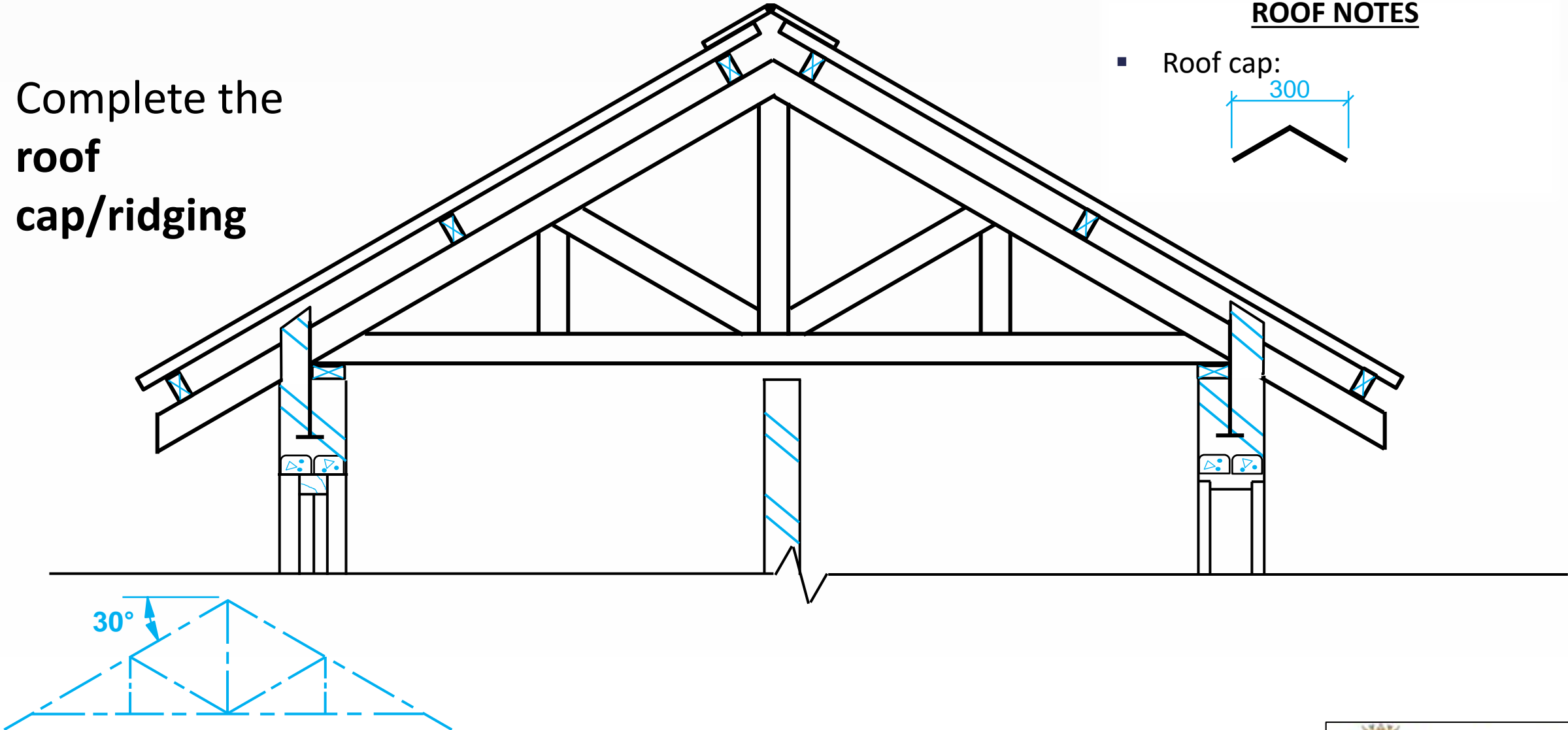


ROOF DETAIL (Roof cap/ridging)

- Complete the roof cap/ridging

ROOF NOTES

- Roof cap:



ROOF DETAIL (Roof cap/ridging)

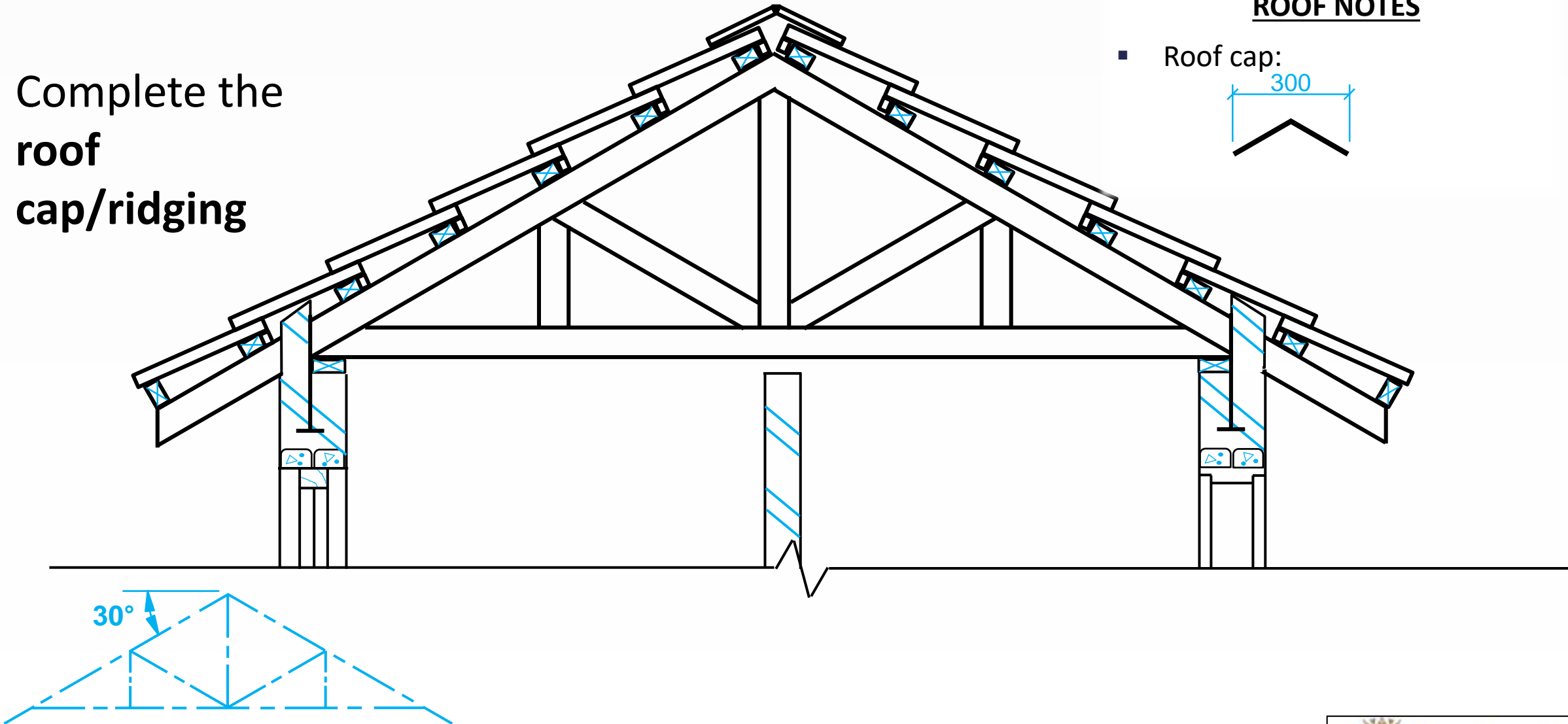


ROOF DETAIL (Roof coverage)

- Complete the roof cap/ridging

ROOF NOTES

- Roof cap:



ROOF DETAIL (Roof cap/ridging)

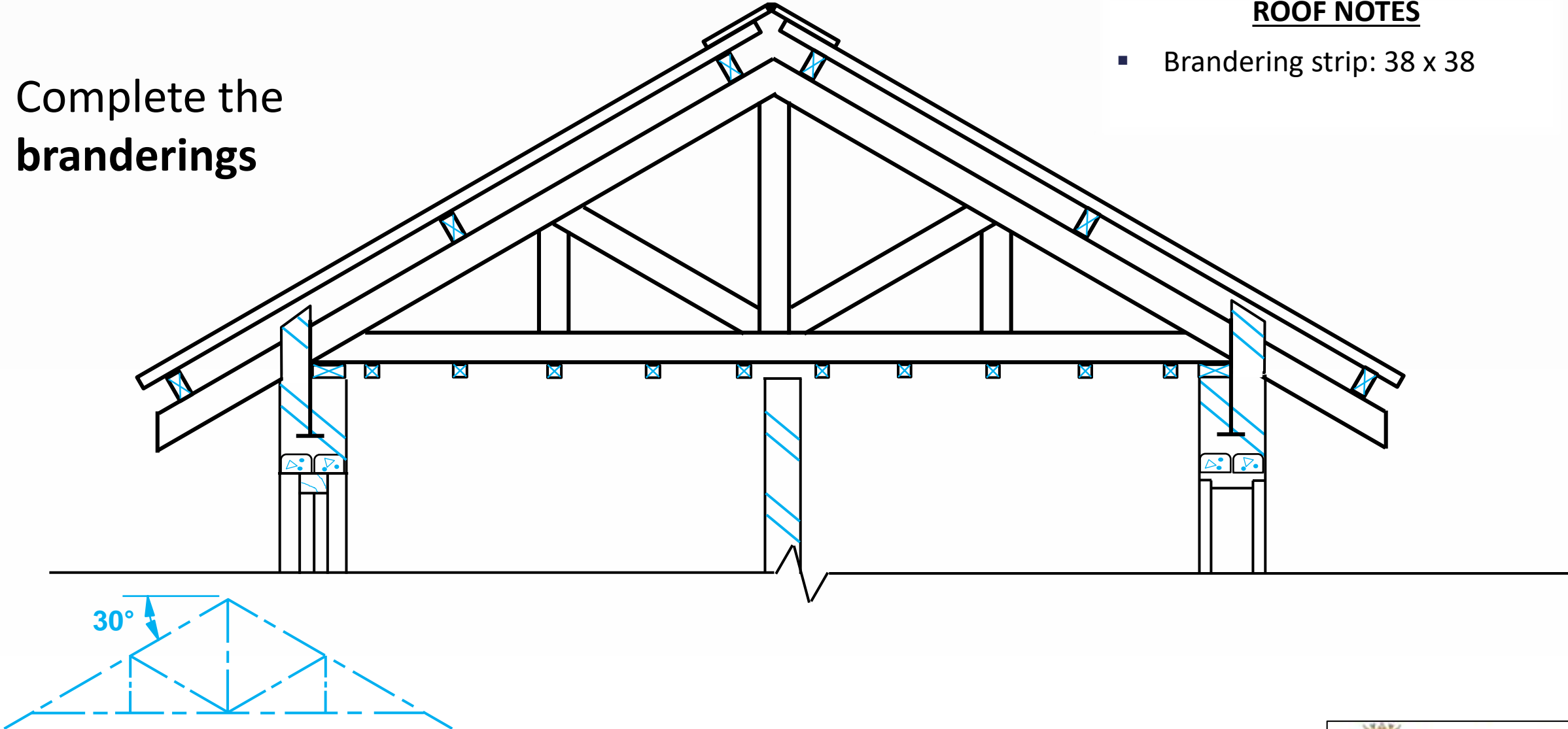


ROOF DETAIL (Branderings)

ROOF NOTES

- Complete the **branderings**

- Branderung strip: 38 x 38



ROOF DETAIL (Branderings)

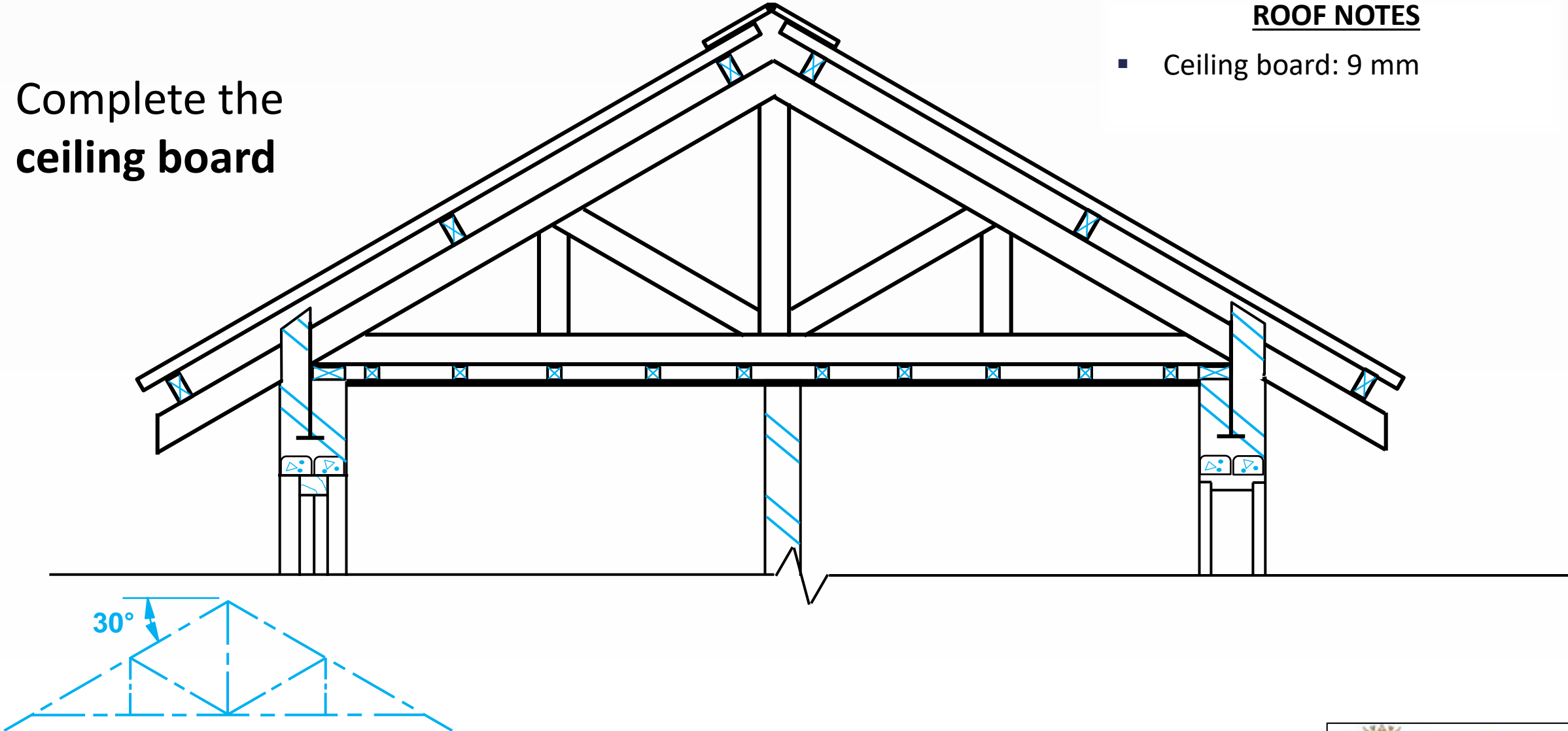


ROOF DETAIL (Ceiling board)

ROOF NOTES

- Complete the ceiling board

- Ceiling board: 9 mm

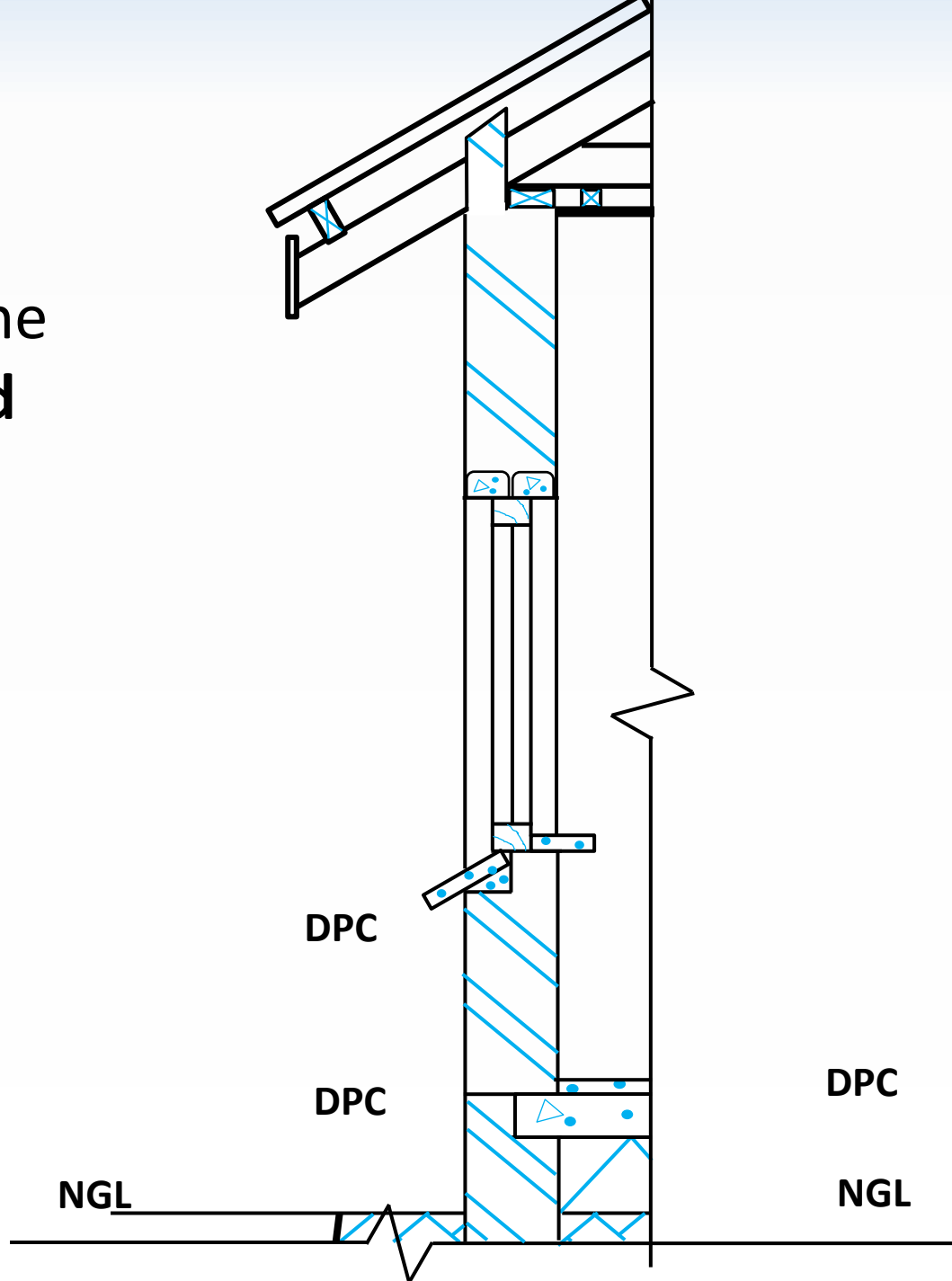


ROOF DETAIL (Ceiling board)



SECTIONED DETAIL (Fascia board)

- Complete the fascia board



FASCIA BOARD NOTES

- 220 X 20



SECTIONED DETAIL (Fascia board)

