



# 2-Point-Perspective Drawing

## Principles

### Grade 11 & 12

Developed by: PC Viljoen  
Senior Educational Specialist for  
Engineering Graphics and Design  
Free State Province

# 2-Point-Perspective Drawing

**Question**

## QUESTION 3: PERSPECTIVE

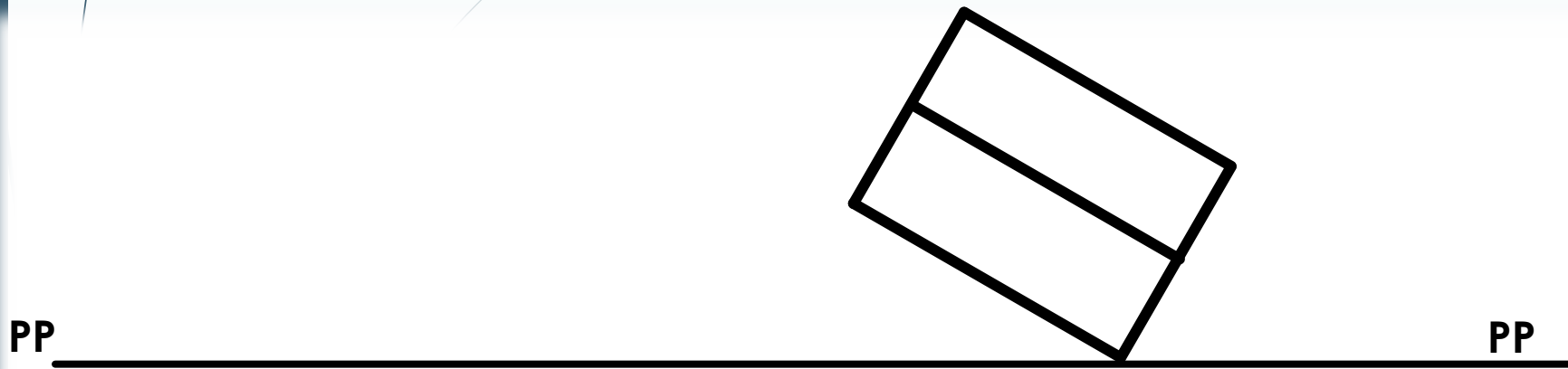
### Given:

Three views of a shelter with a viewing deck and the information needed to draw a two-point perspective drawing  
PP – Picture plane  
HL – Horizon line  
GL – Ground line  
SP – Station point

### Instructions:

Complete the perspective drawing.

- Align the drawing sheet with the ground line (GL).
- Determine and label the vanishing points.
- Show ALL necessary construction.
- NO hidden detail is required. [40]



+ SP



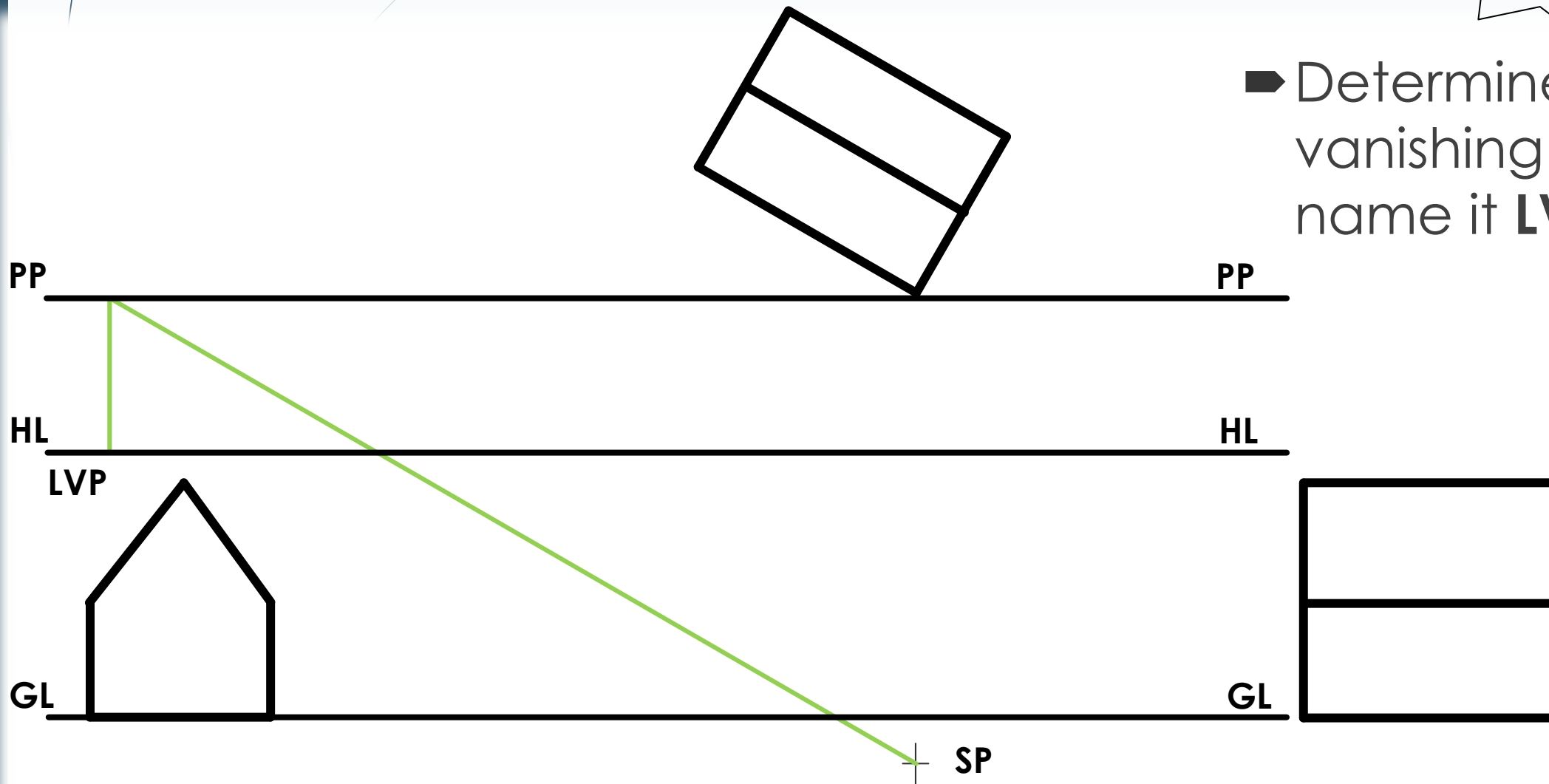
education

Department of  
Education  
FREE STATE PROVINCE

# 2-Point-Perspective Drawing

**Step 1**

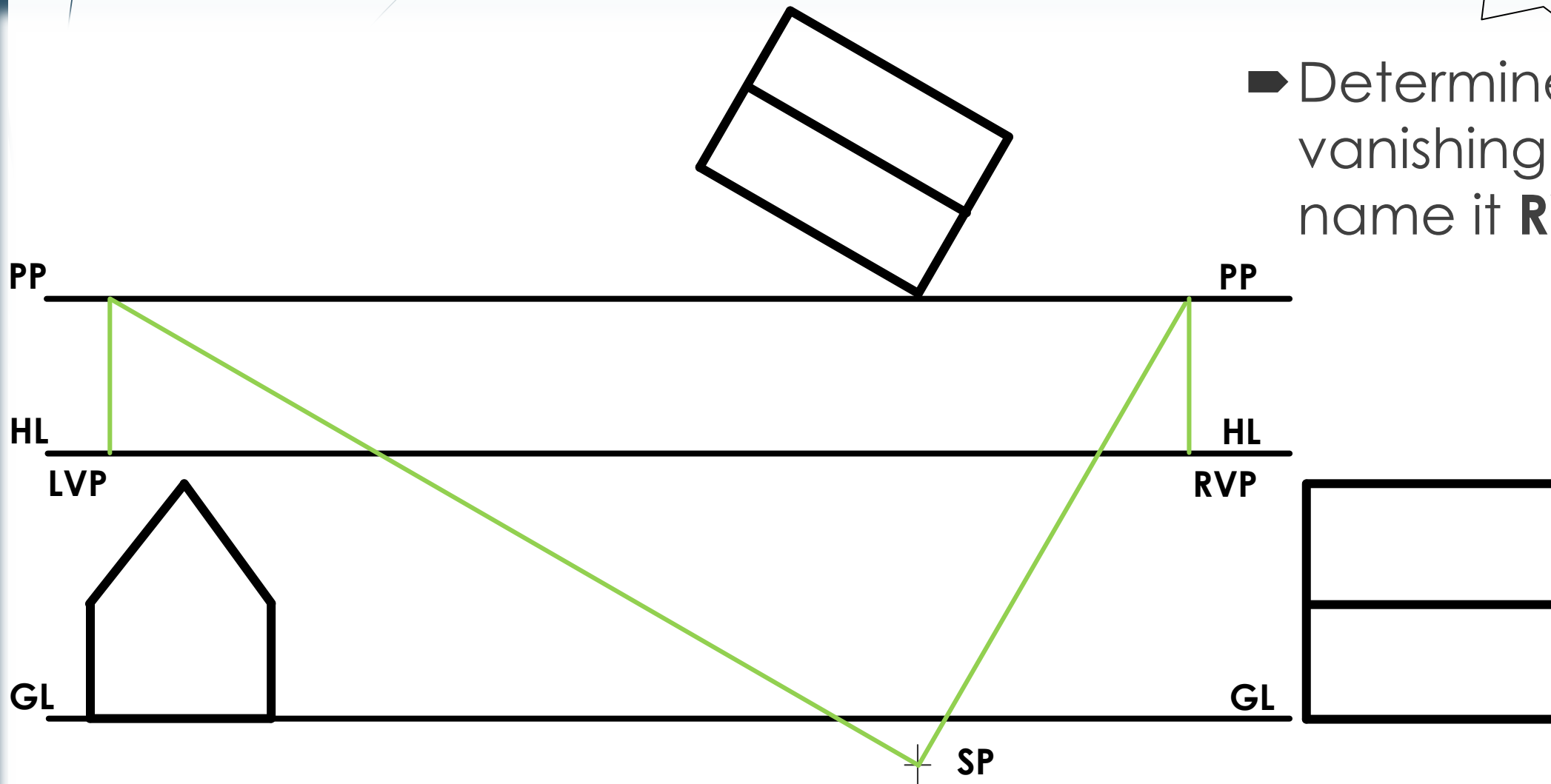
- Determine the left vanishing point & name it **LVP**.



# 2-Point-Perspective Drawing

**Step 2**

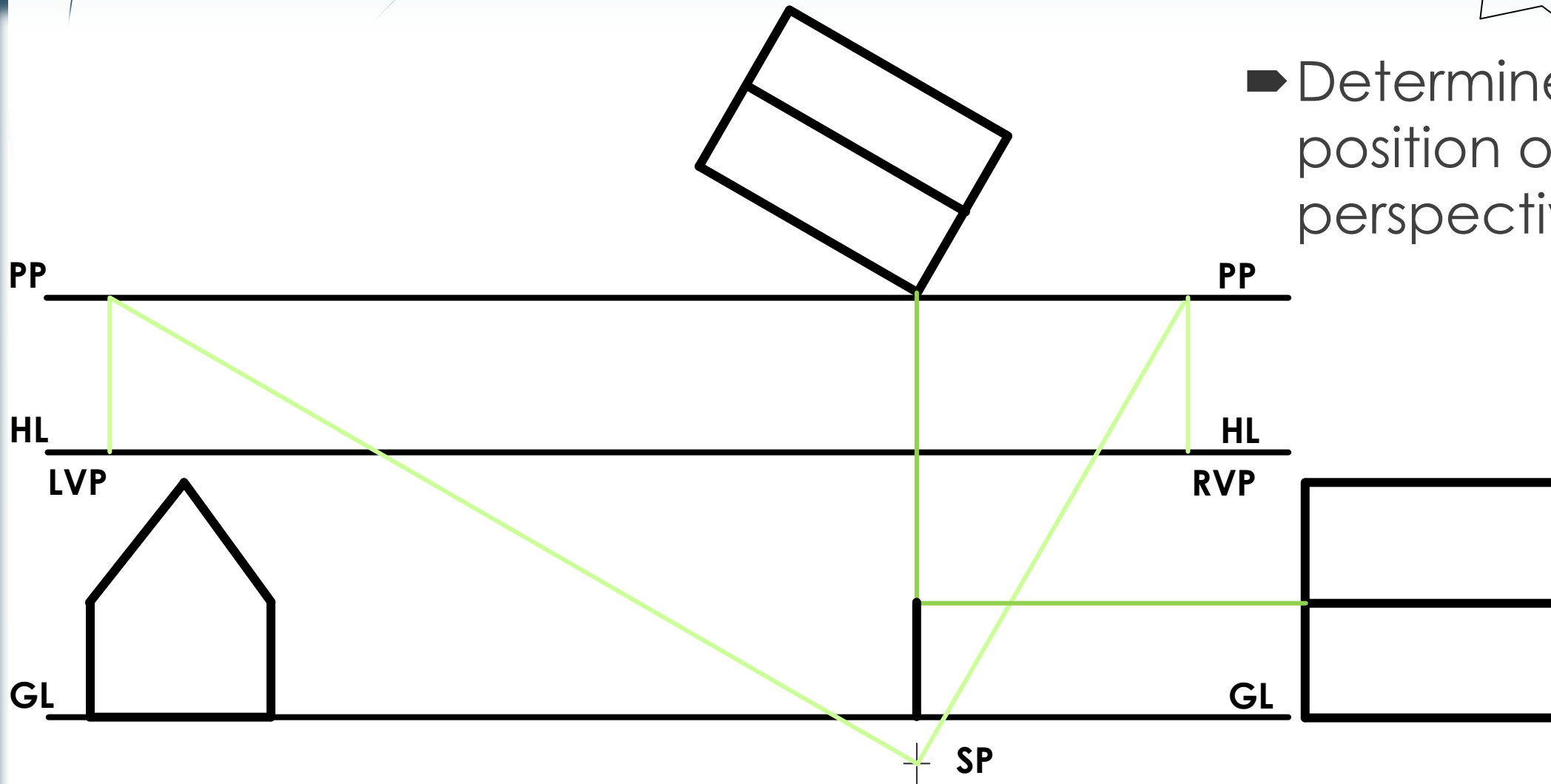
- Determine the right vanishing point & name it **RVP**.



# 2-Point-Perspective Drawing

**Step 3**

- Determine the start position of the perspective drawing

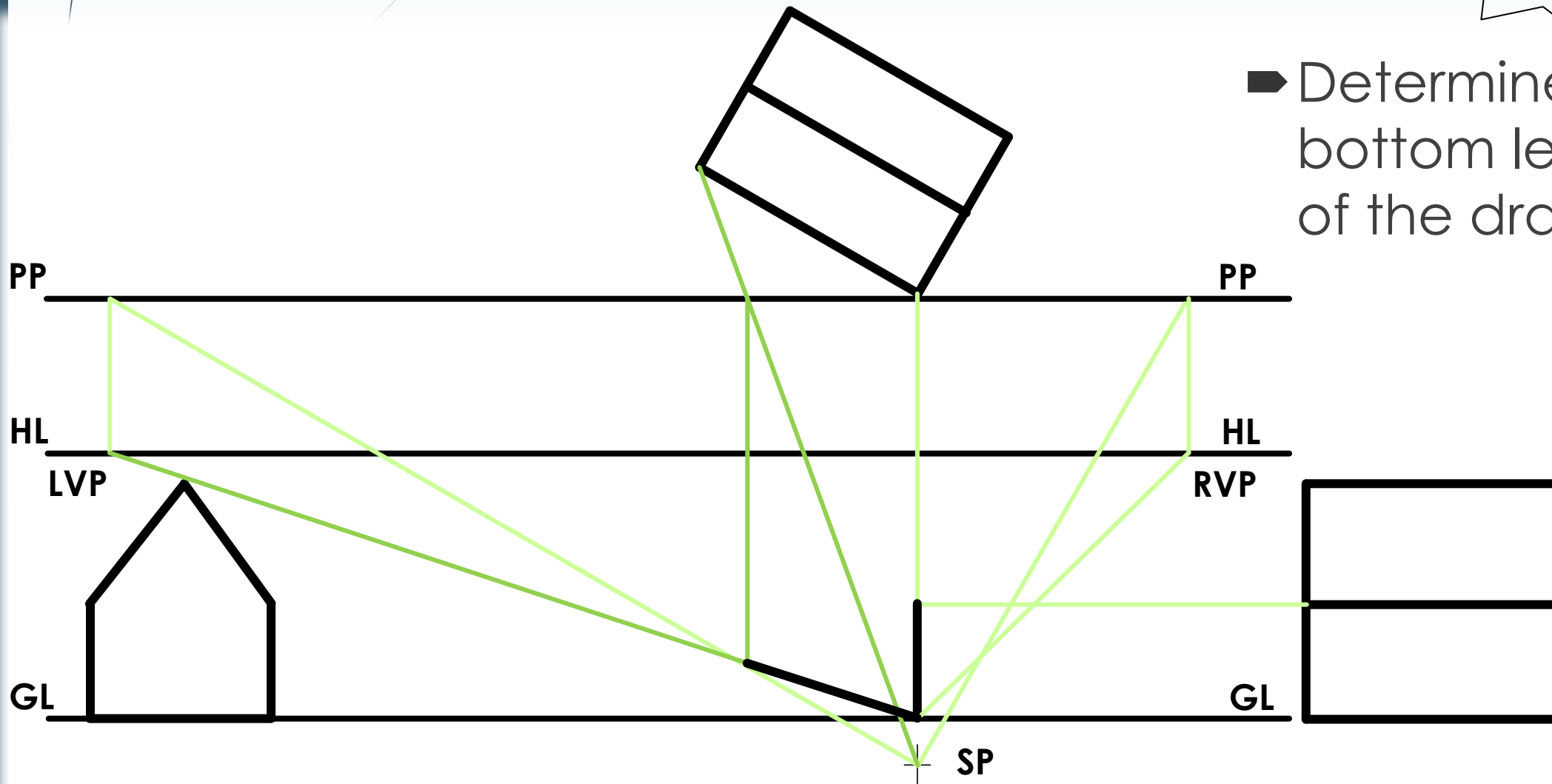




# 2-Point-Perspective Drawing

**Step 5**

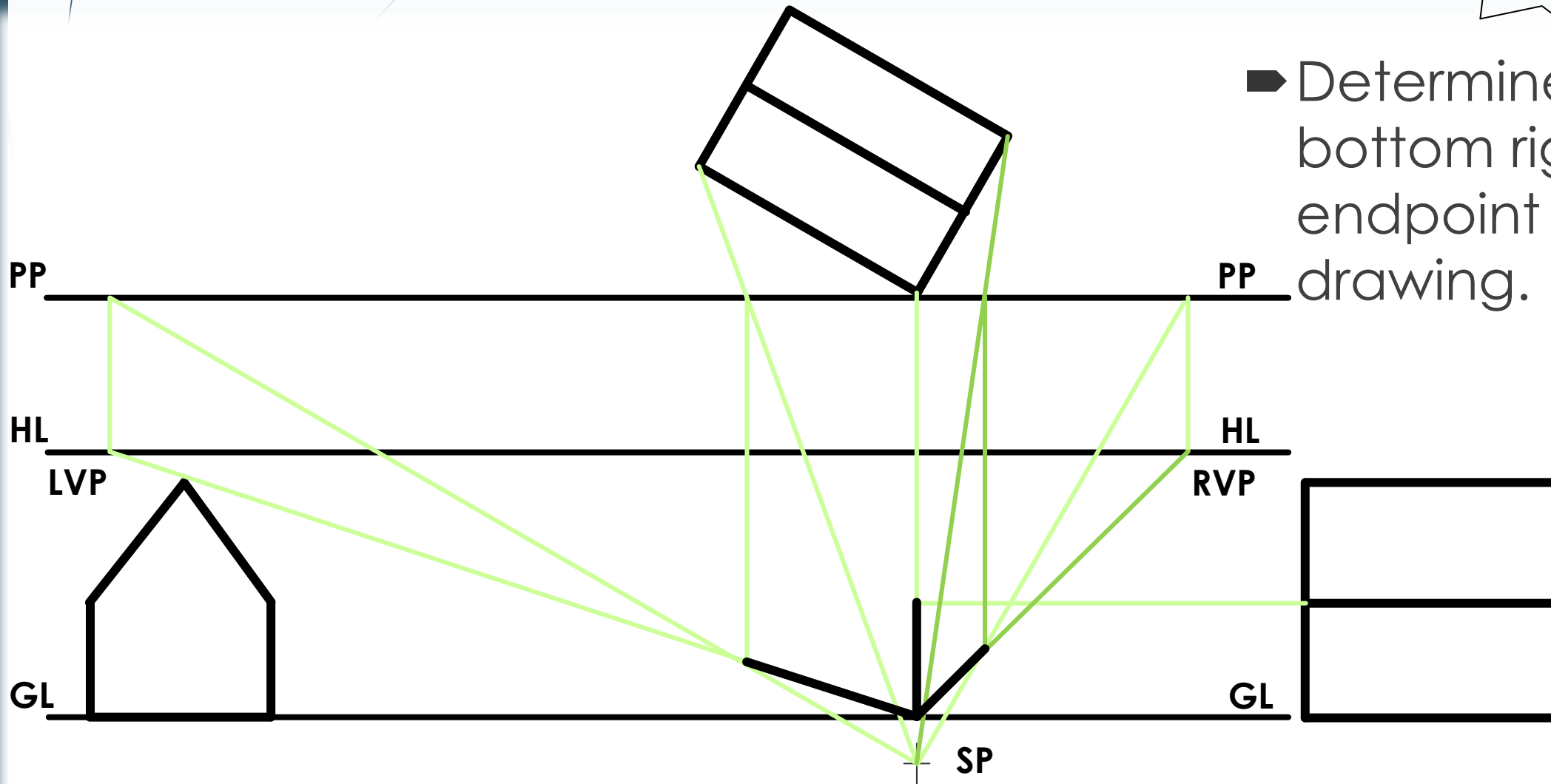
- Determine the bottom left endpoint of the drawing.



# 2-Point-Perspective Drawing

**Step 6**

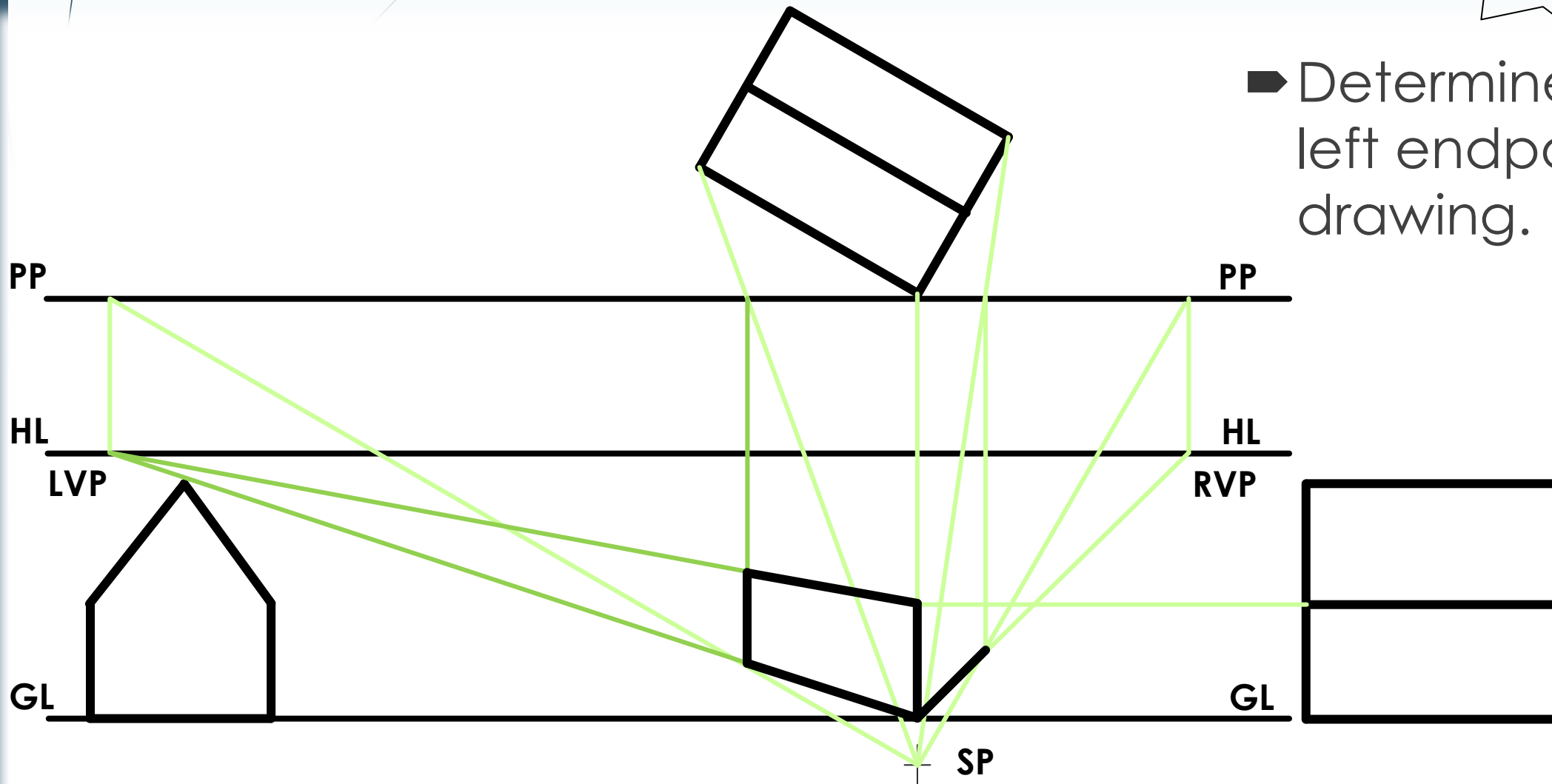
➡ Determine the bottom right endpoint of the drawing.



# 2-Point-Perspective Drawing

**Step 7**

- Determine the top left endpoint of the drawing.

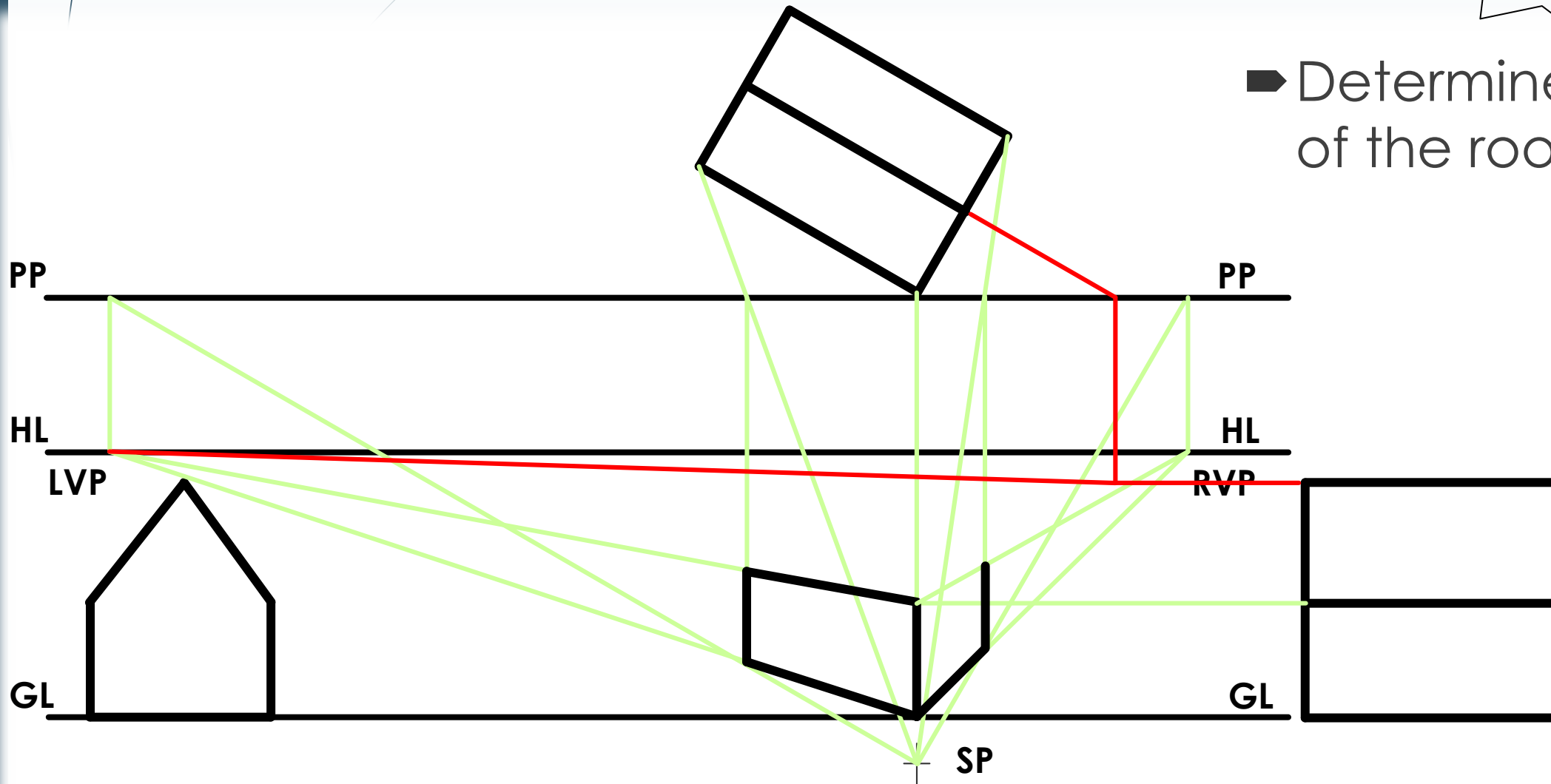




# 2-Point-Perspective Drawing

**Step 9**

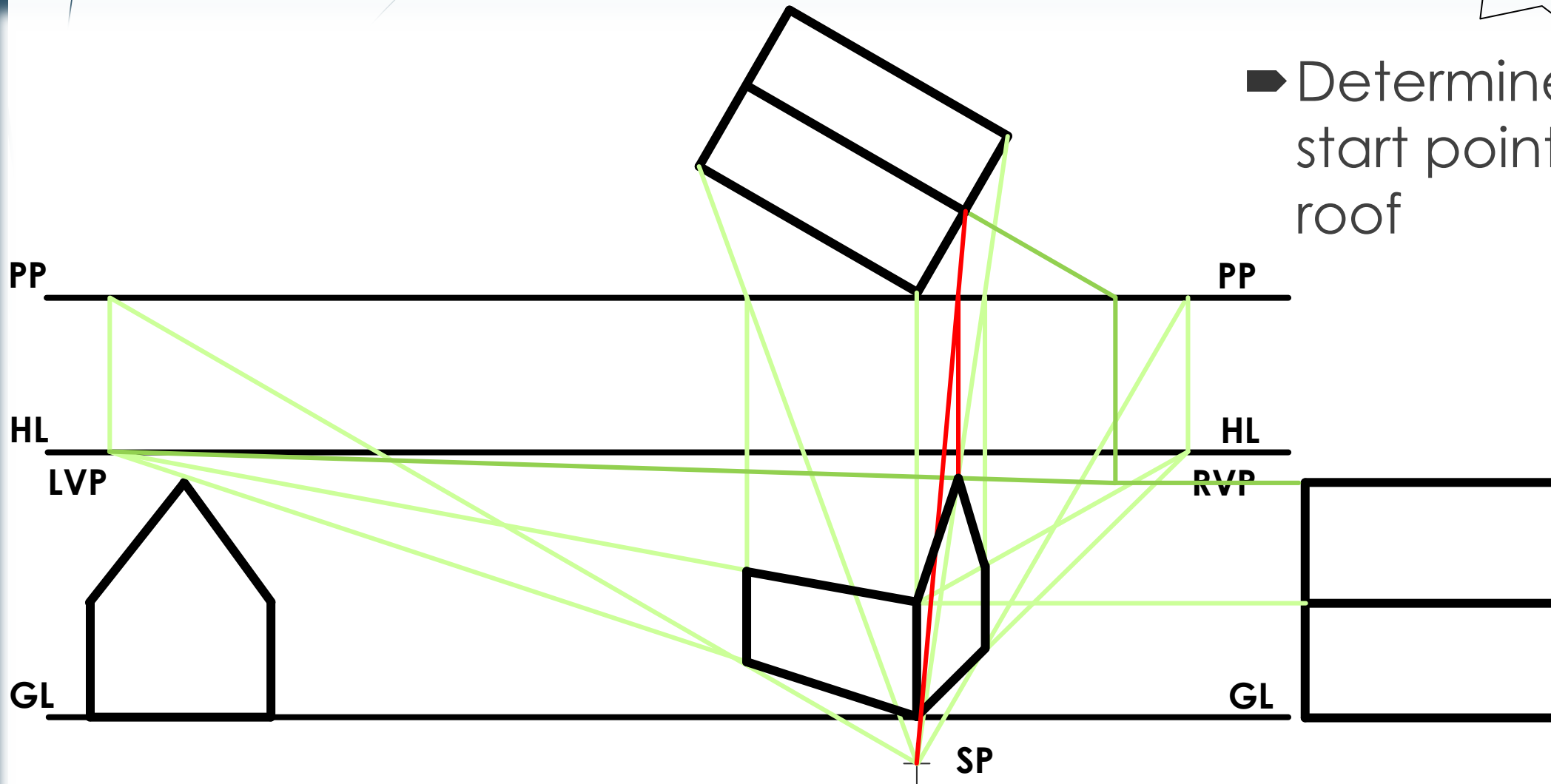
➡ Determine the ridge of the roof



# 2-Point-Perspective Drawing

**Step 10**

- Determine the right start point of the roof





# 2-Point-Perspective Drawing

➡ Always show all construction lines

