



ISOMETRIC DRAWINGS

Drawing Principles

Developed by: PC Viljoen
Senior Educational Specialist for
Engineering Graphics and Design
Free State Province

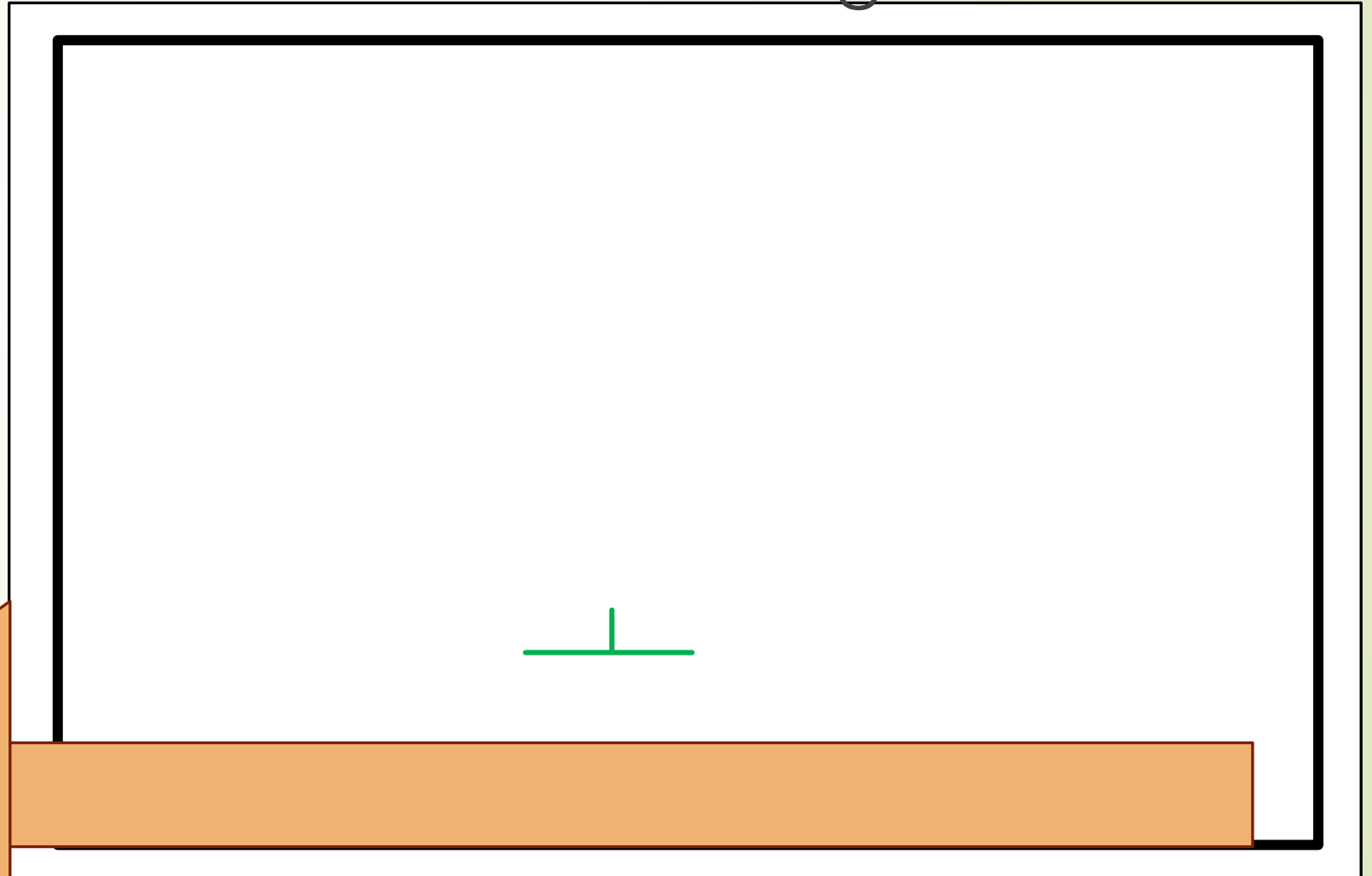
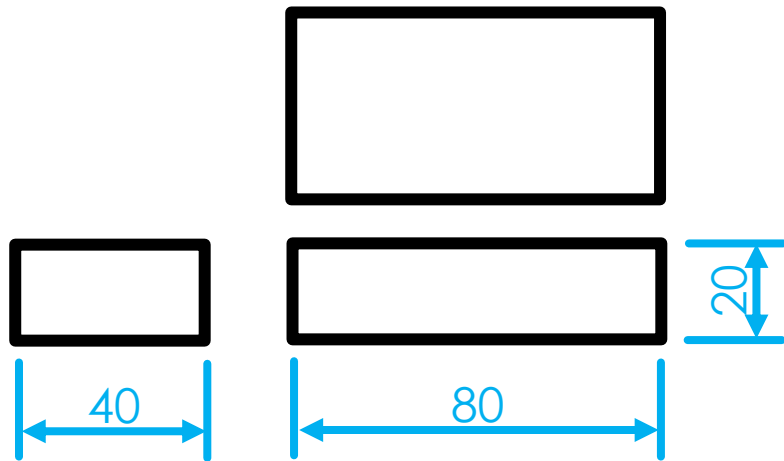


education

Department of
Education
FREE STATE PROVINCE

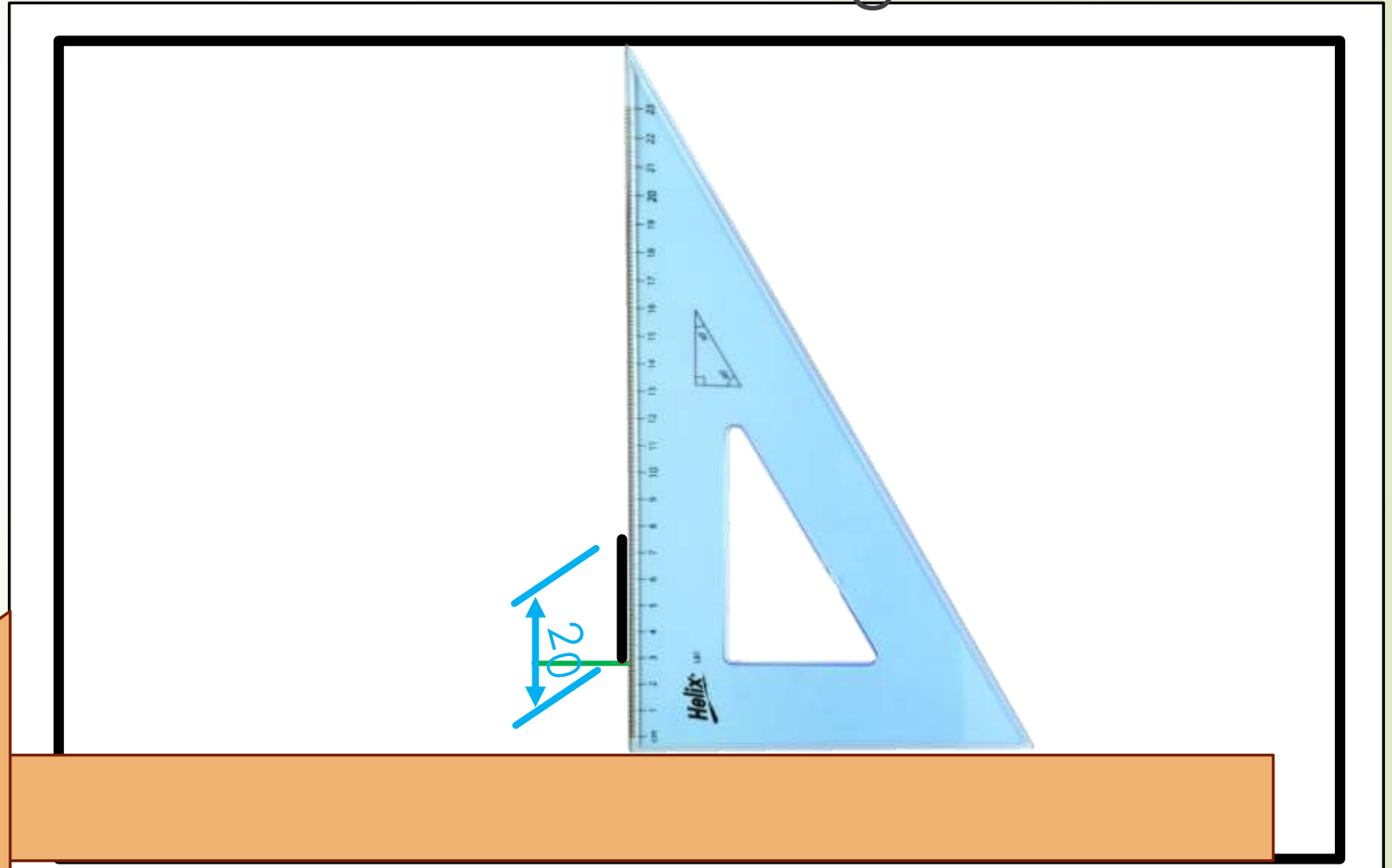
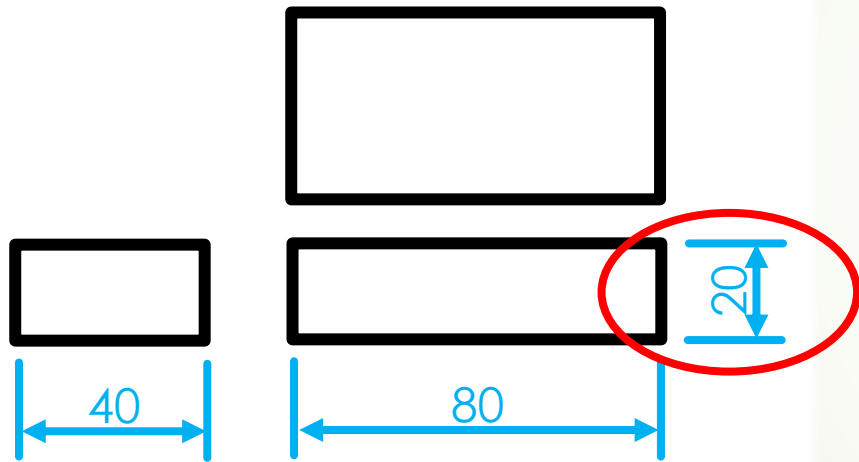
ISOMETRIC DRAWINGS

- ➔ **Question:** Use the given orthographic views and convert it into an isometric drawing.



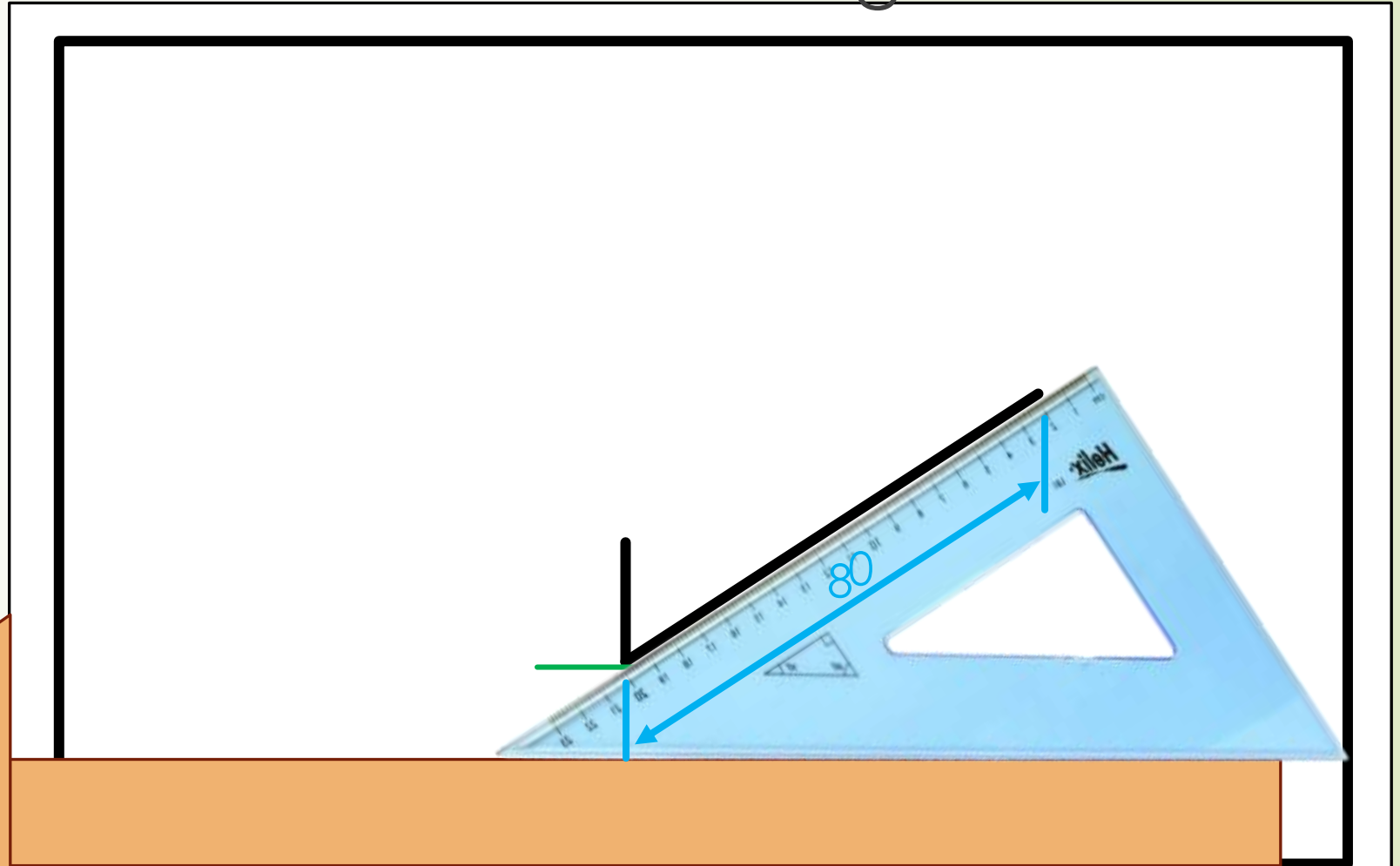
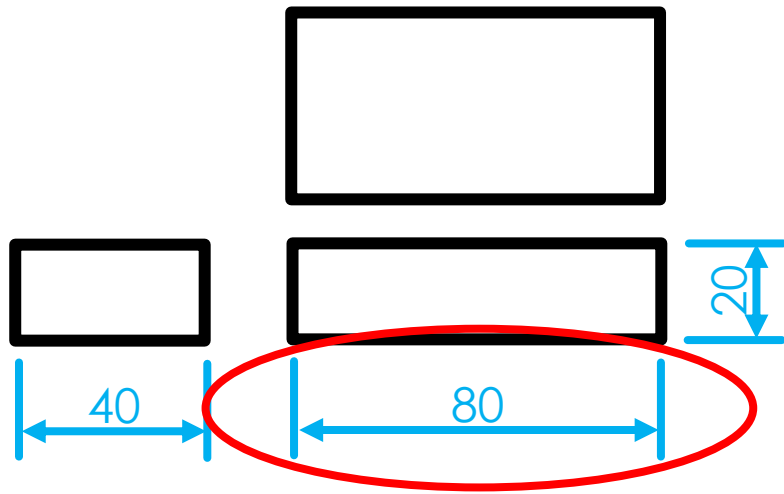
ISOMETRIC DRAWINGS

- **Question:** Use the given orthographic views and convert it into an isometric drawing.



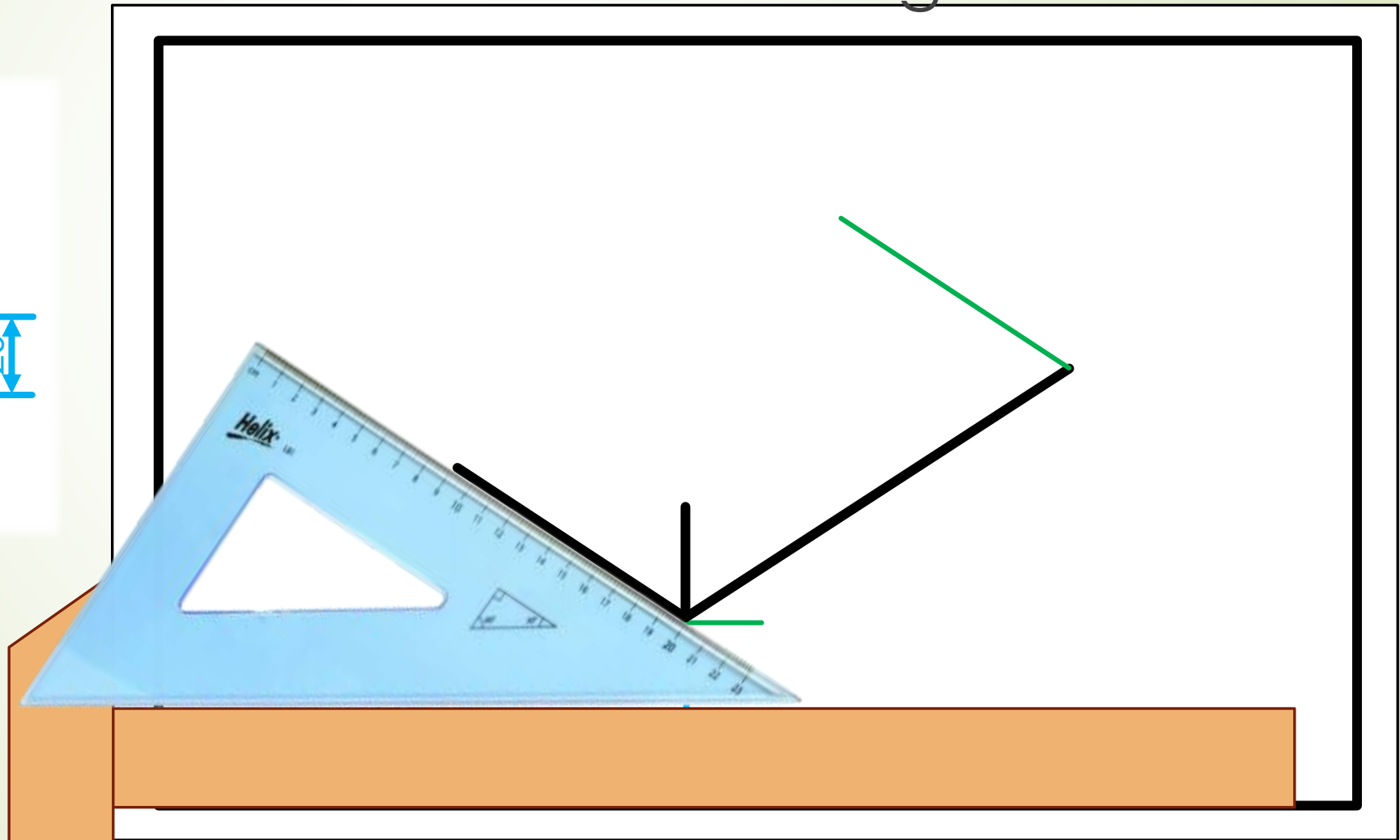
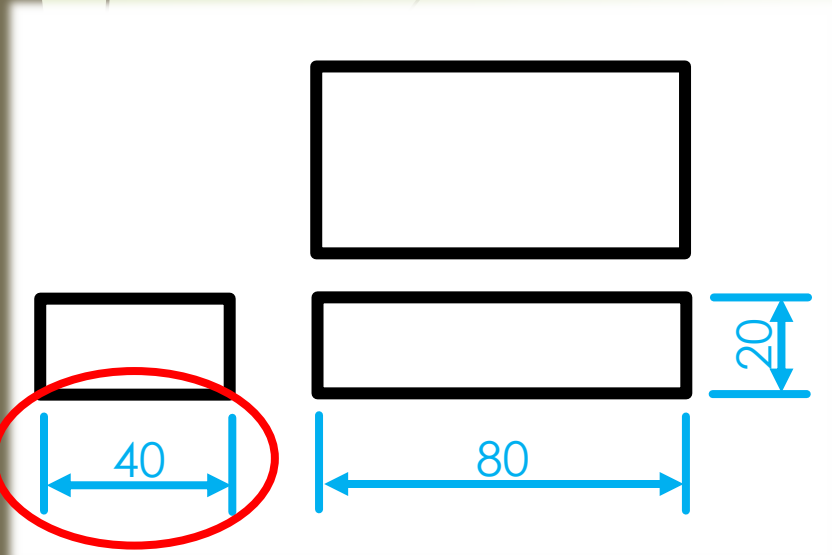
ISOMETRIC DRAWINGS

- **Question:** Use the given orthographic views and convert it into an isometric drawing.



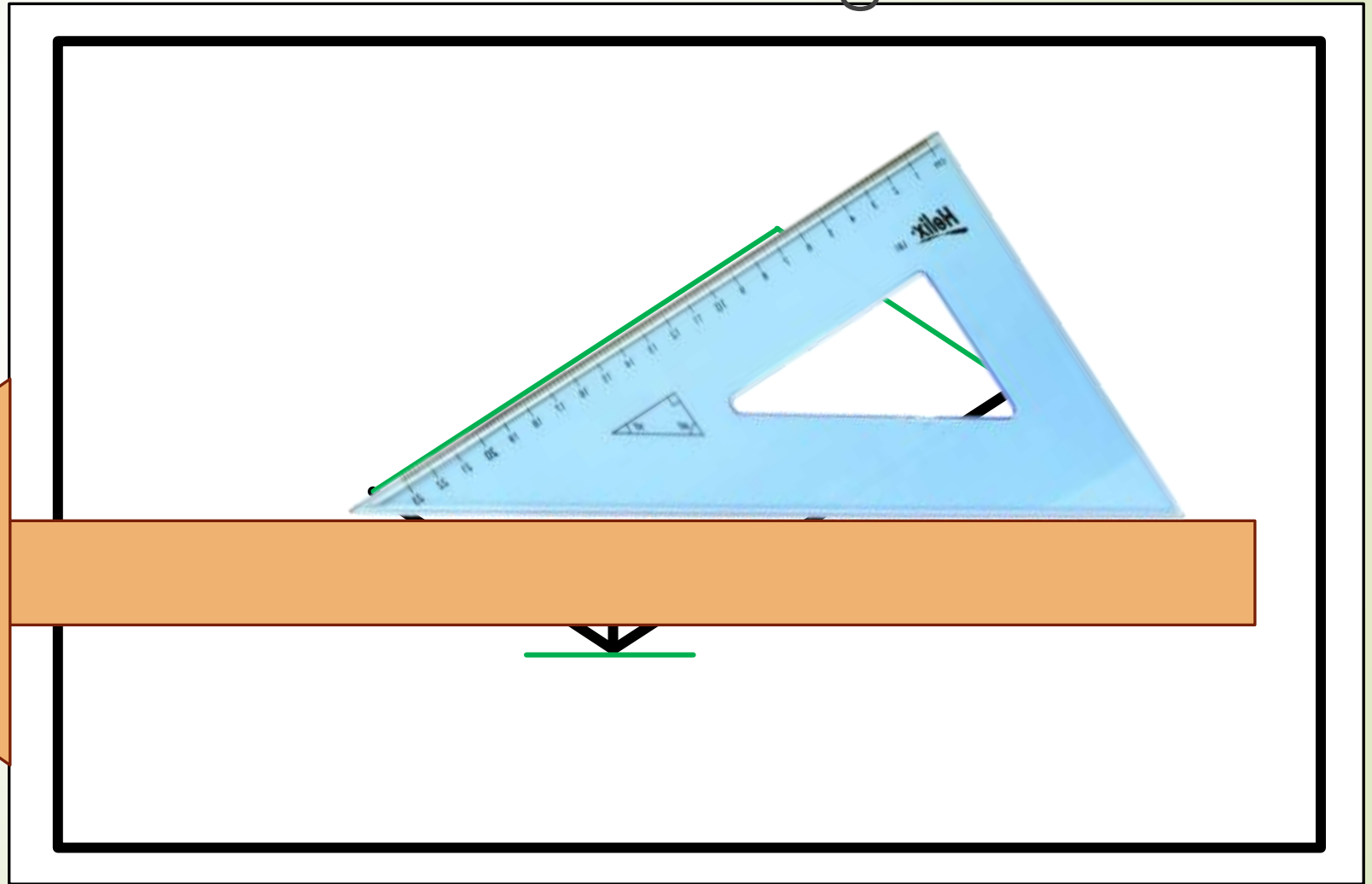
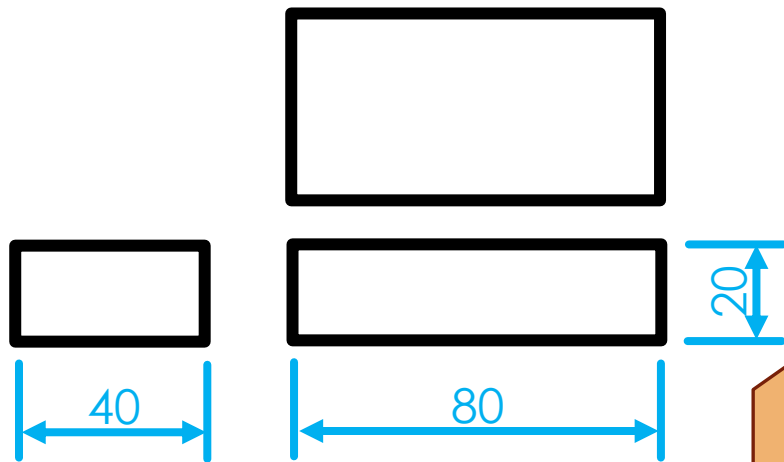
ISOMETRIC DRAWINGS

- **Question:** Use the given orthographic views and convert it into an isometric drawing.



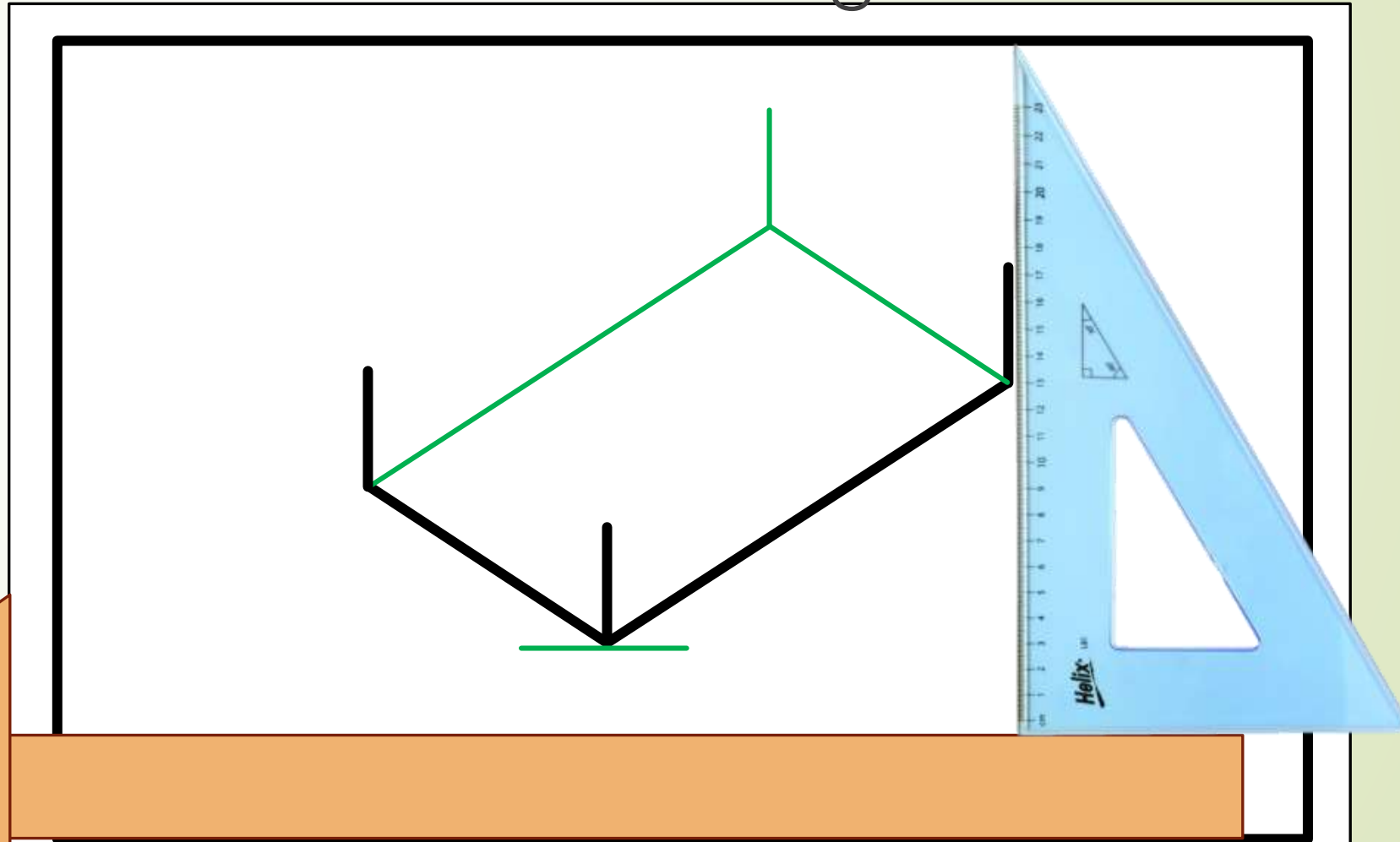
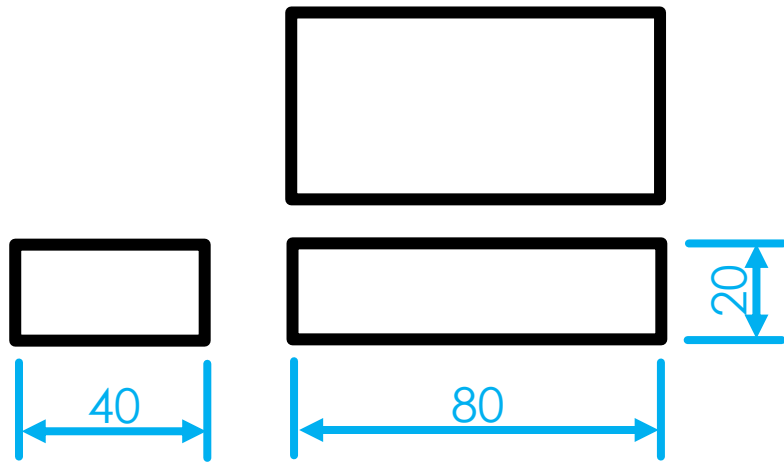
ISOMETRIC DRAWINGS

- **Question:** Use the given orthographic views and convert it into an isometric drawing.



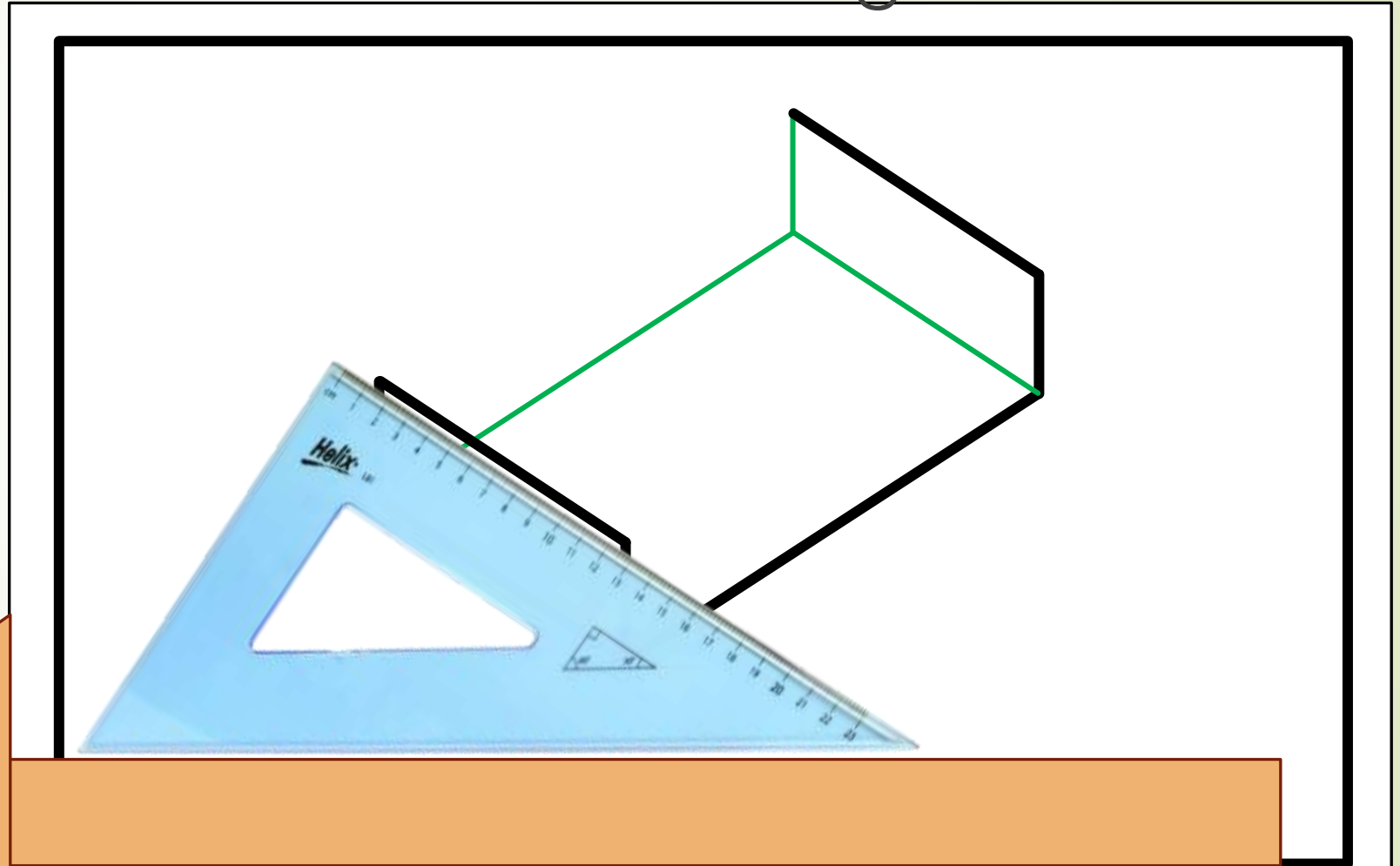
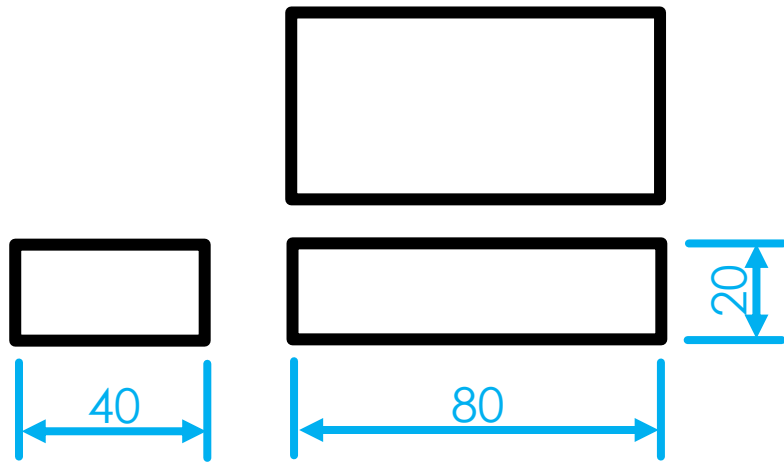
ISOMETRIC DRAWINGS

- ➔ **Question:** Use the given orthographic views and convert it into an isometric drawing.



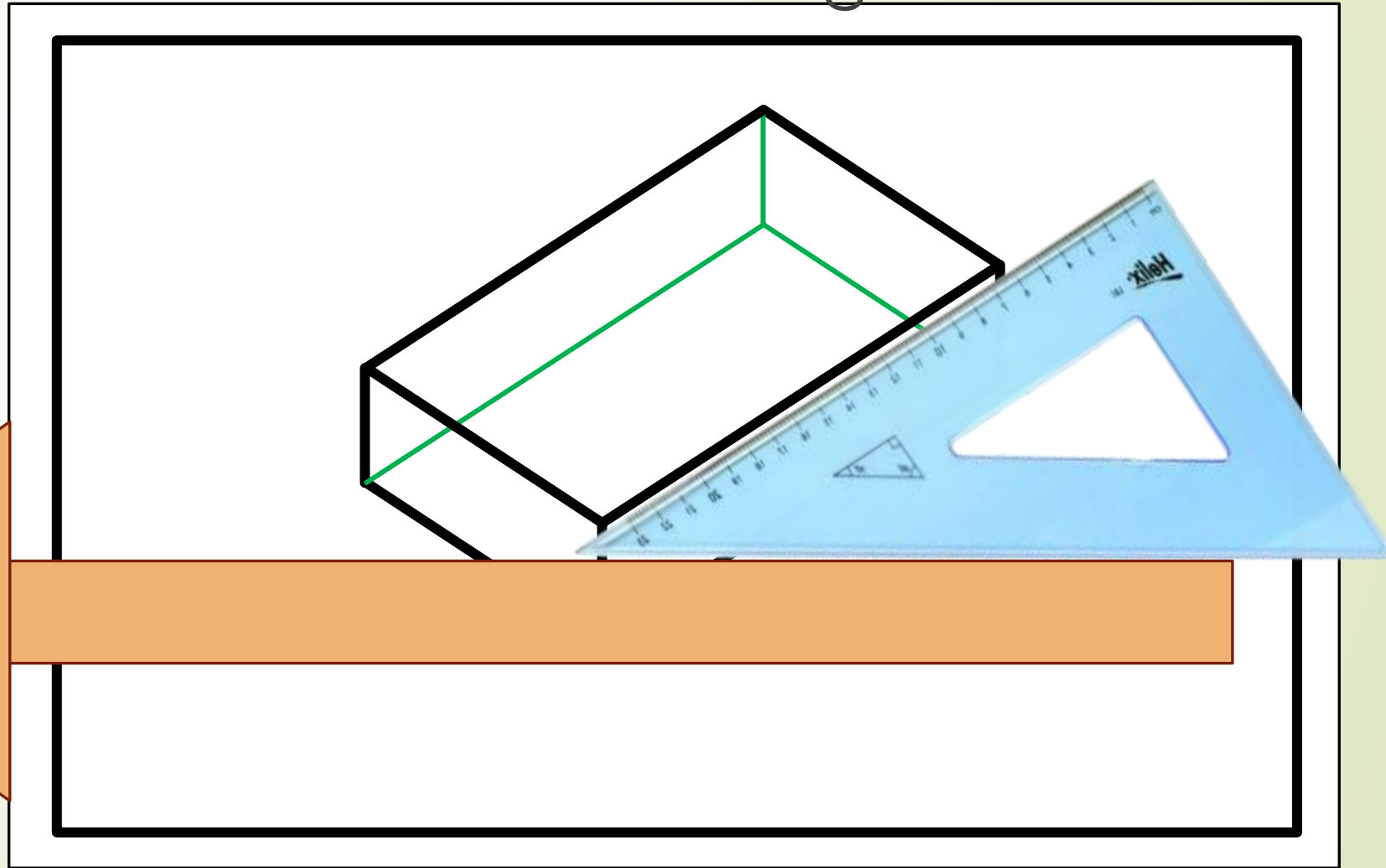
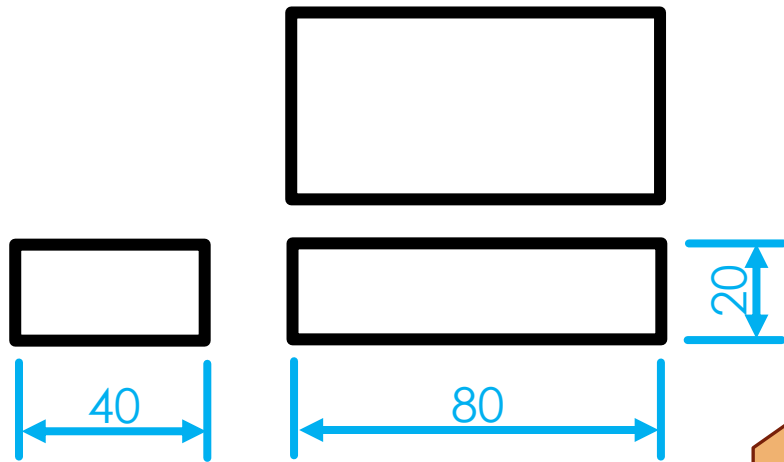
ISOMETRIC DRAWINGS

- **Question:** Use the given orthographic views and convert it into an isometric drawing.



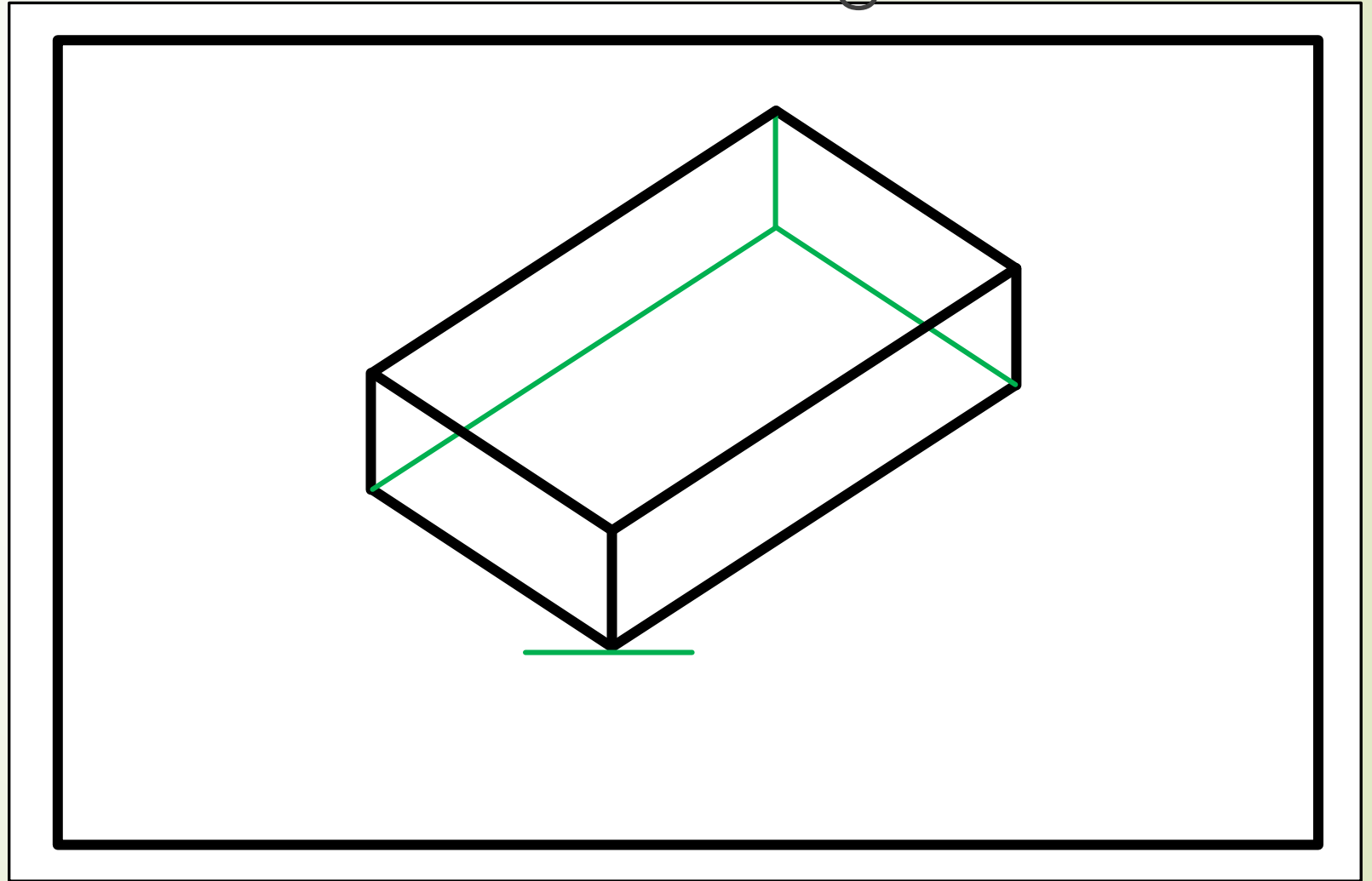
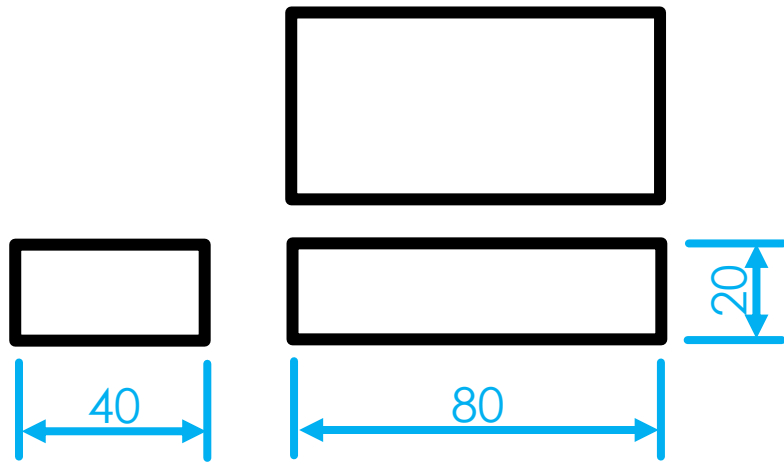
ISOMETRIC DRAWINGS

- **Question:** Use the given orthographic views and convert it into an isometric drawing.



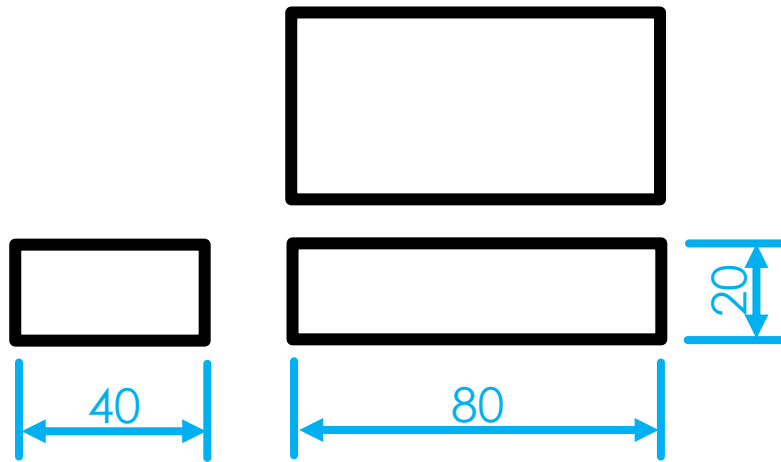
ISOMETRIC DRAWINGS

- ➔ **Question:** Use the given orthographic views and convert it into an isometric drawing.



ISOMETRIC DRAWINGS

- **Question:** Use the given orthographic views and convert it into an isometric drawing.



Should hidden detail
be required

