



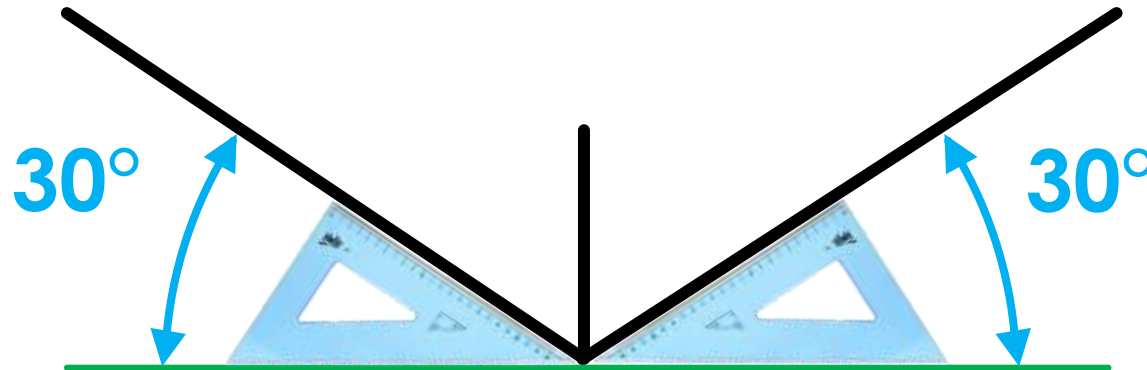
# ISOMETRIC DRAWINGS

## Drawing Principles

Developed by: PC Viljoen  
Senior Educational Specialist for  
Engineering Graphics and Design  
Free State Province

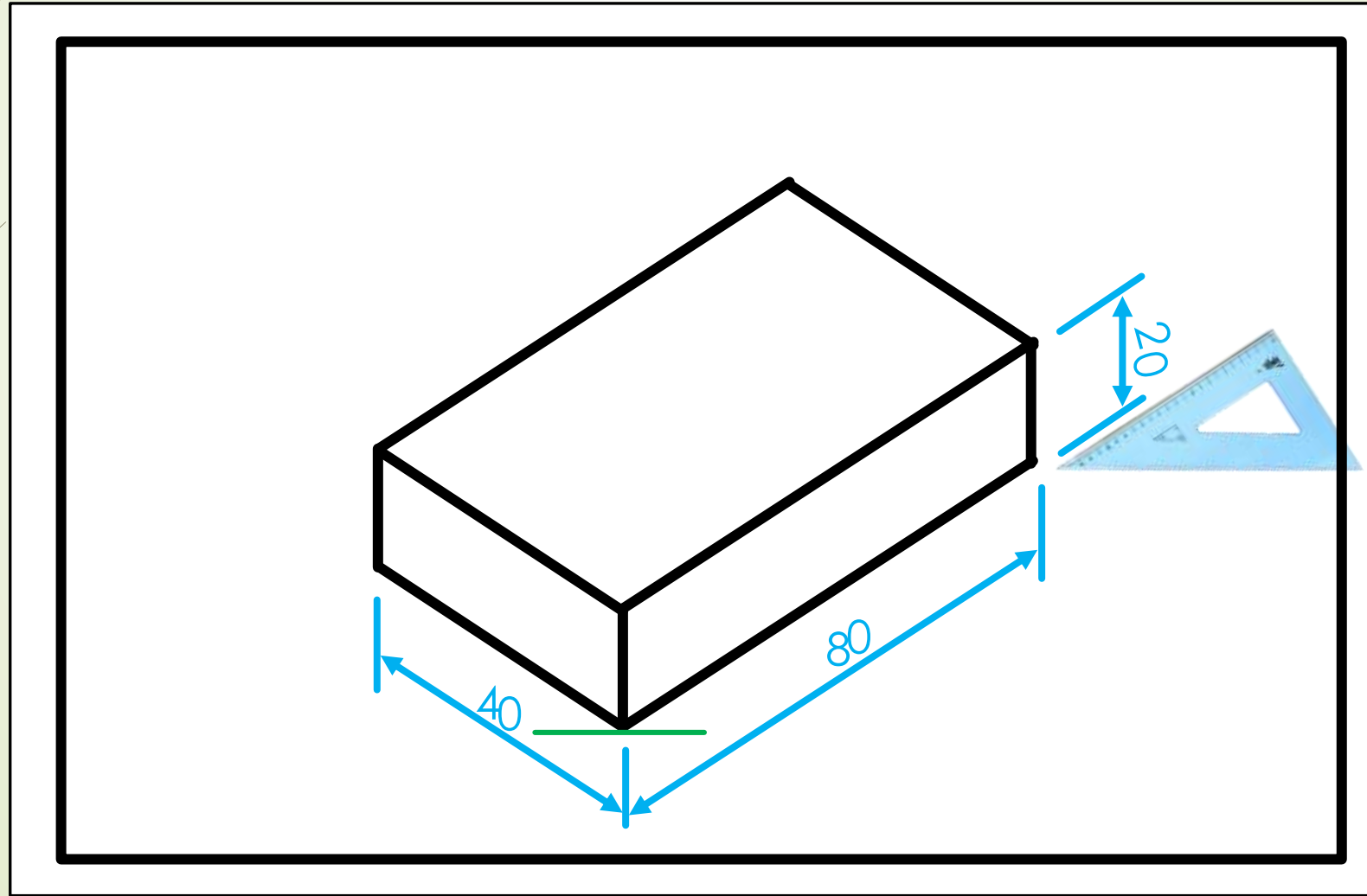
# ISOMETRIC DRAWINGS

- An isometric drawing it will be drawn on  $30^\circ$ .
- All isometric dimensions should also be seen as an extension of the  $30^\circ$  isometric line.



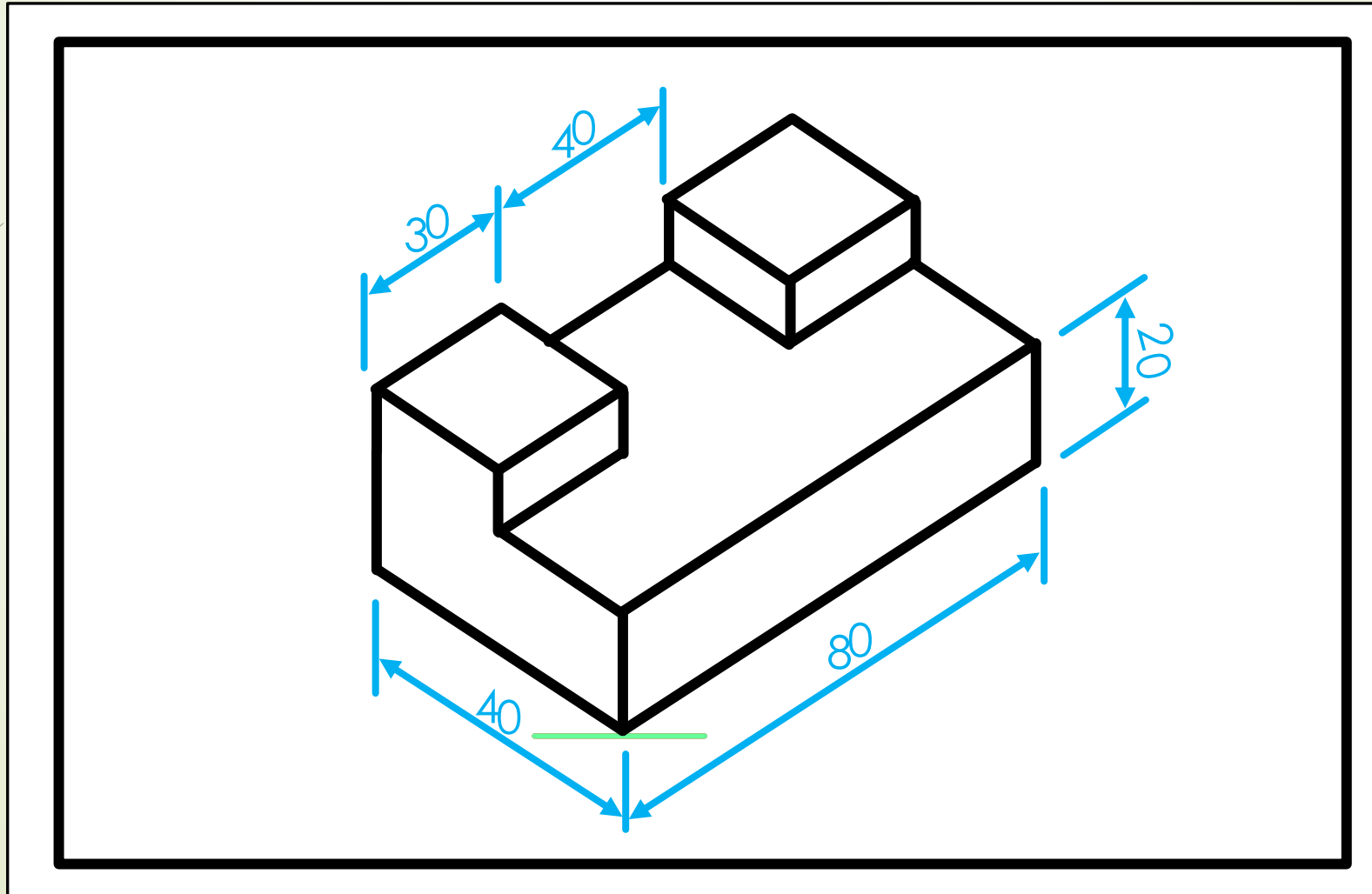
# ISOMETRIC DRAWINGS

- All isometric dimensions should also be seen as an extension of the 30° isometric line.



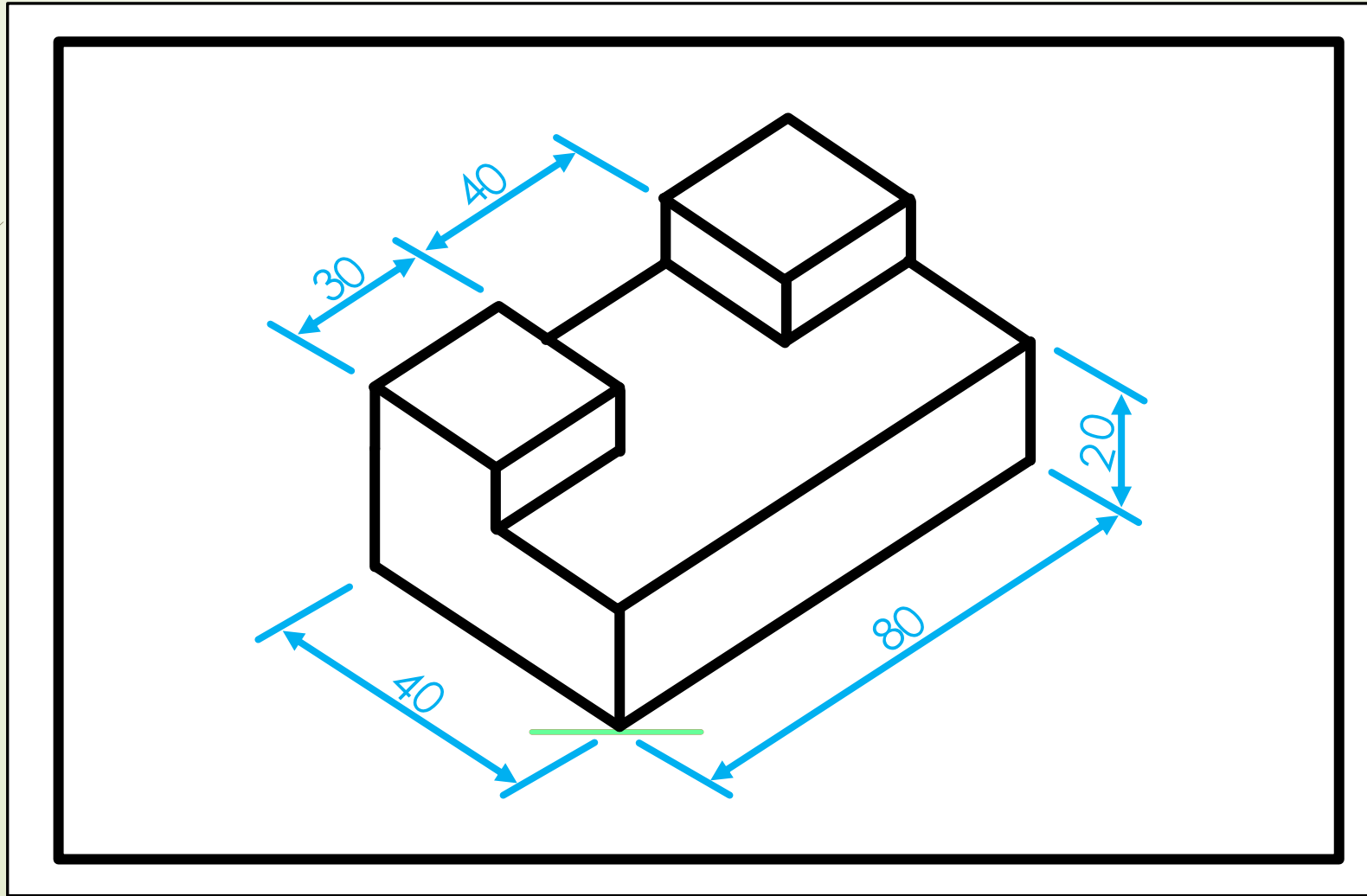
# ISOMETRIC DRAWINGS

- All isometric dimensions should also be seen as an extension of the 30° isometric line.



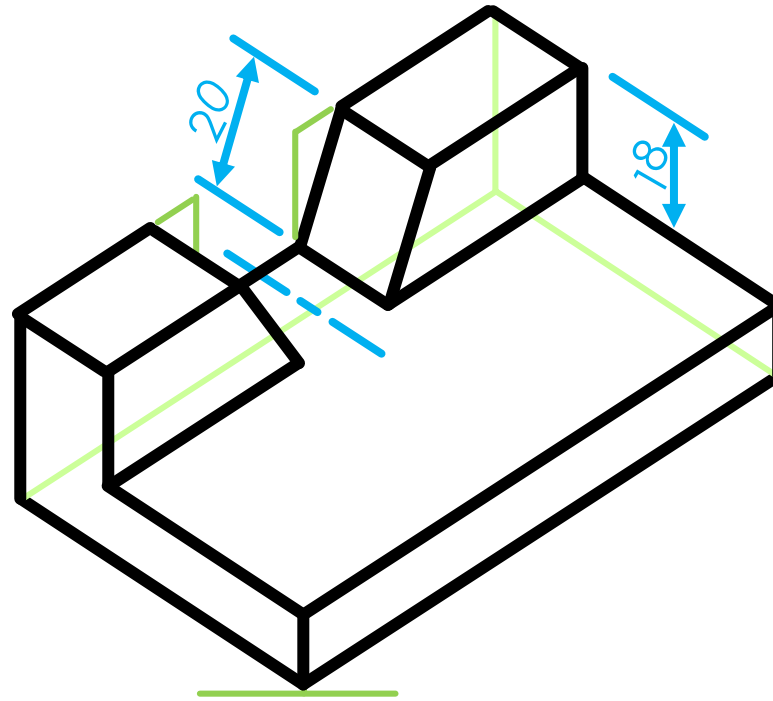
# ISOMETRIC DRAWINGS

- All isometric dimensions should also be seen as an extension of the 30° isometric line.



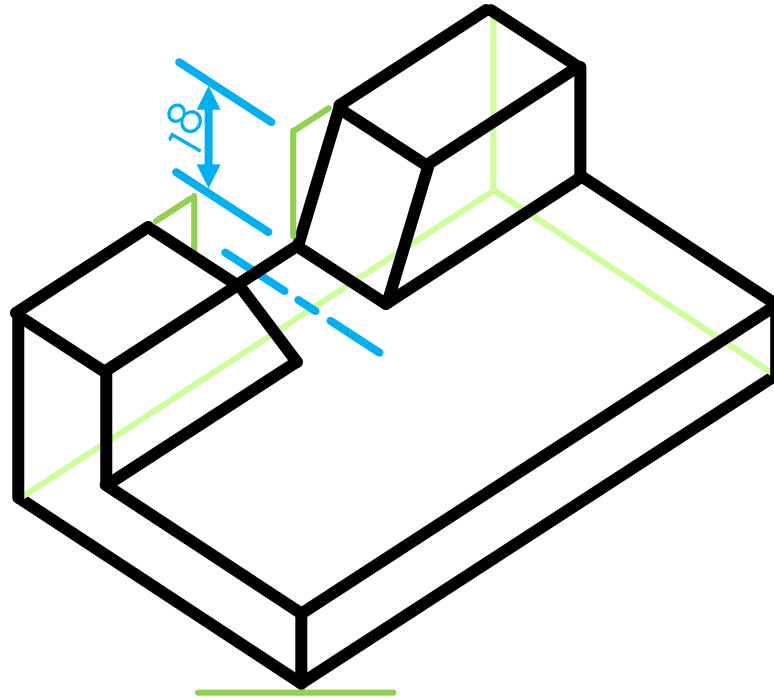
# ISOMETRIC DRAWINGS

- ➔ All isometric dimensions should also be seen as an extension of the 30° isometric line.



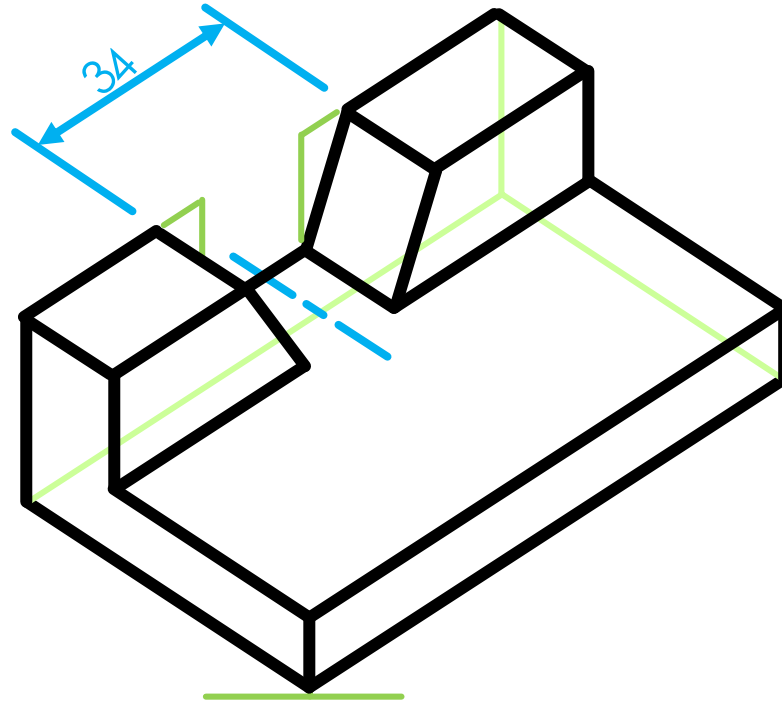
# ISOMETRIC DRAWINGS

- ➔ All isometric dimensions should also be seen as an extension of the 30° isometric line.



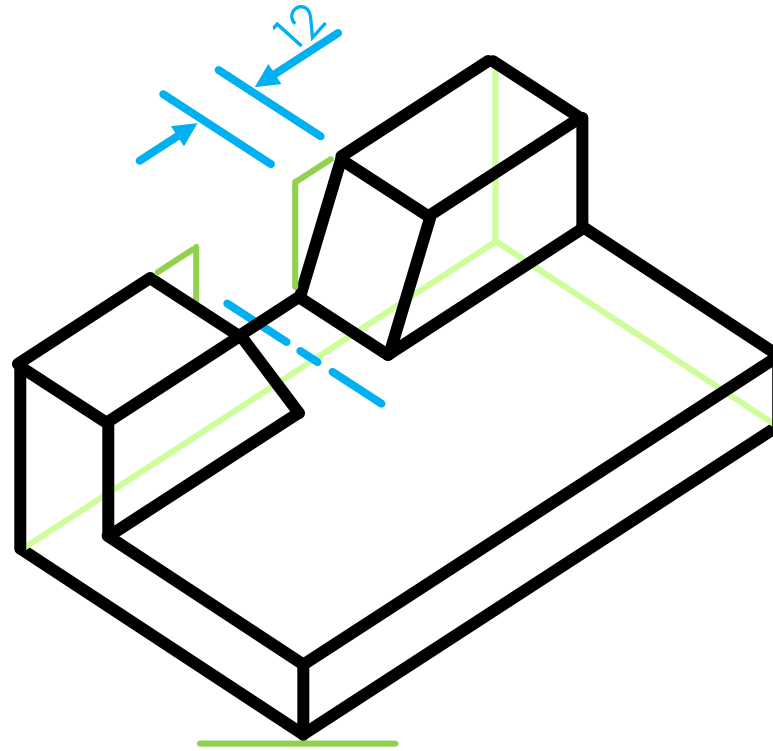
# ISOMETRIC DRAWINGS

- All isometric dimensions should also be seen as an extension of the 30° isometric line.



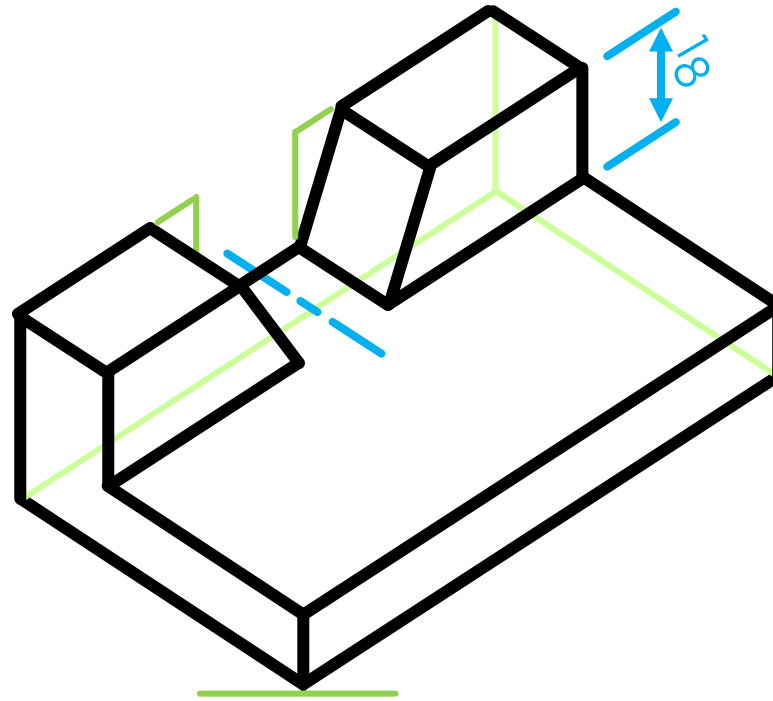
# ISOMETRIC DRAWINGS

- All isometric dimensions should also be seen as an extension of the 30° isometric line.



# ISOMETRIC DRAWINGS

- ➔ All isometric dimensions should also be seen as an extension of the 30° isometric line.



# ISOMETRIC DRAWINGS

- ➔ All isometric dimensions should also be seen as an extension of the 30° isometric line.

