

STAPEL

QUESTION 3: ISOMETRIC DRAWING

Given:

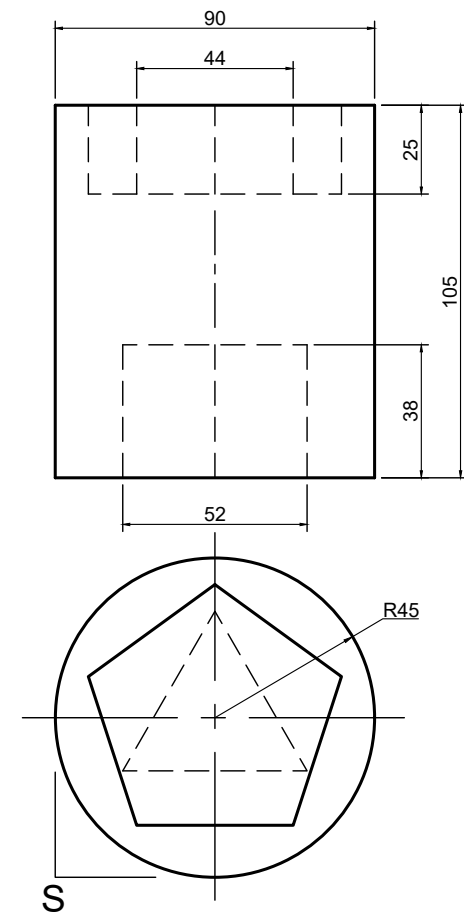
The front view and top view of a casting.
The position of point S on page 21.

Instructions:

Use a scale of 1:1 to convert the orthographic view of the casting into a isometric drawing.

- Make S the lowest point of the drawing.
- Show ALL necessary constructions.
- Show ALL auxiliary views.
- ALL hidden detail is required.

[25]



↓
S

ASSESSMENT CRITERIA				
1	AUXILIARY VIEW	4		
2	ISOMETRIC CIRCLE	8		
3	PENTAGON	8.5		
4	TRIANGLE	4.5		
5	PLACEMENT WRONG MAX -2			
TOTAL		25		



ISOMETRIC DRAWING

ESTIMATED TIME FOR COMPLETION 35 MIN
YOUR TIME FOR COMPLETION MIN

MIN

GRADE 12

INITIALS & SURNAME

TASK 7.3

PAGE 19