



# ISOMETRIC DRAWINGS

## Drawing Principles of Non-Isometric lines

Developed by: PC Viljoen  
Senior Educational Specialist for  
Engineering Graphics and Design  
Free State Province

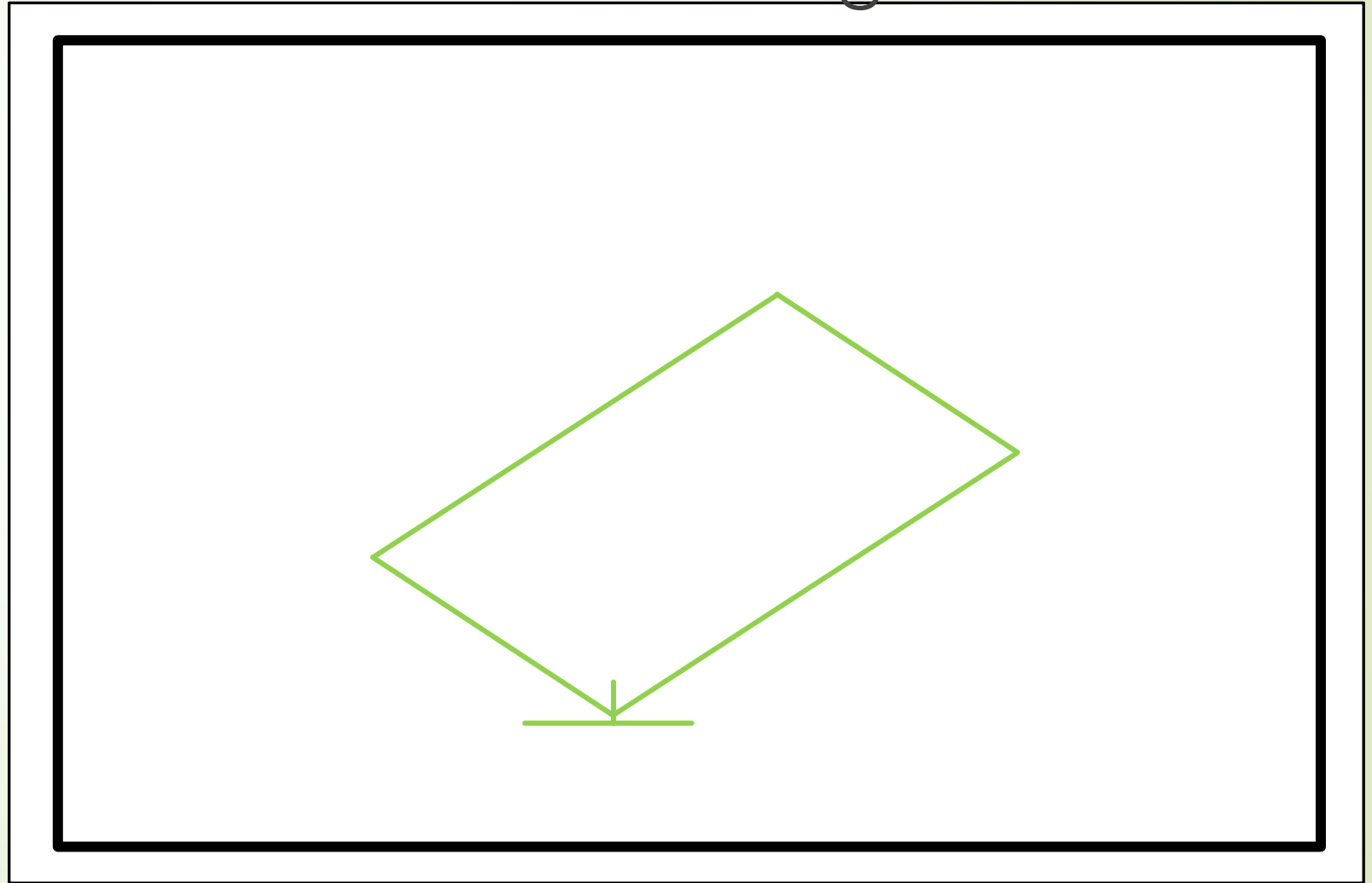
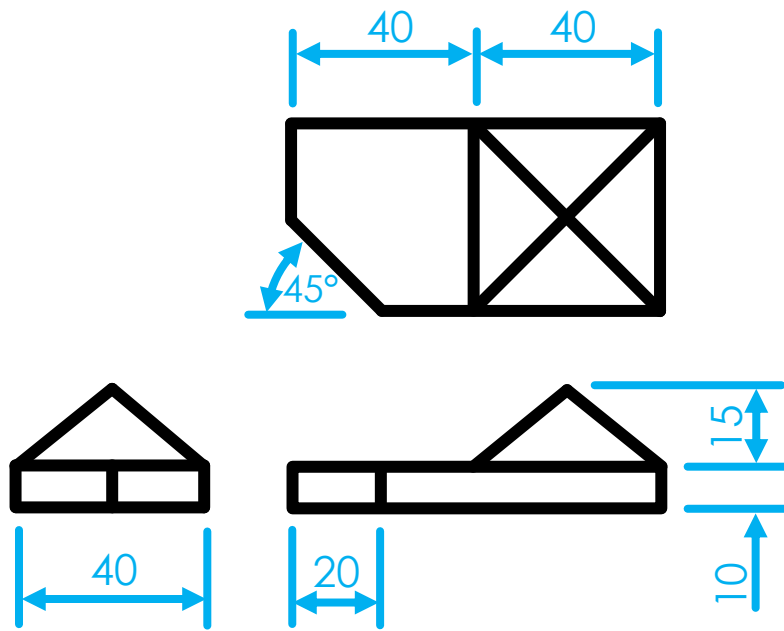


education

Department of  
Education  
FREE STATE PROVINCE

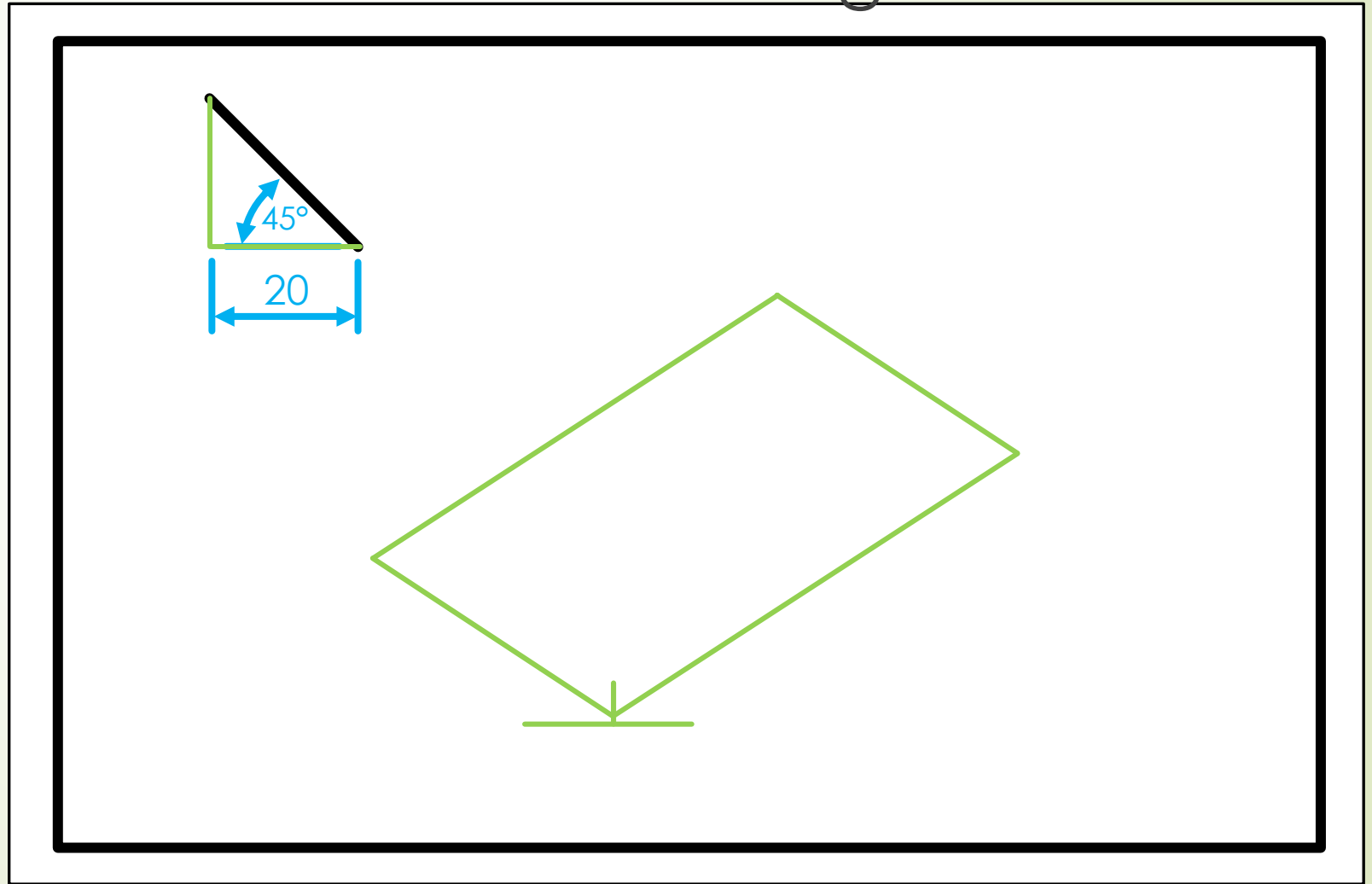
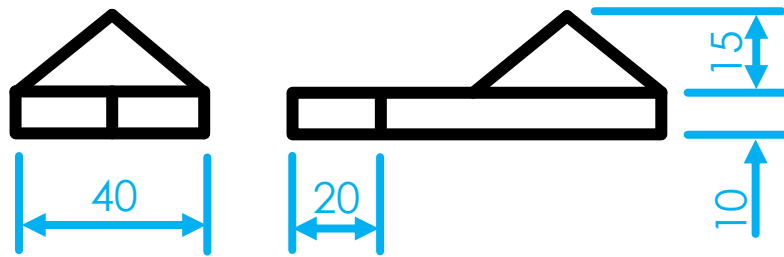
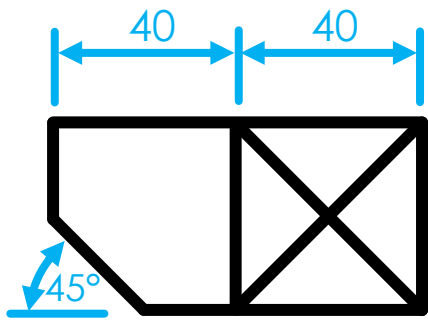
# ISOMETRIC DRAWINGS

- **Question:** Use the given orthographic views and convert it into an isometric drawing.



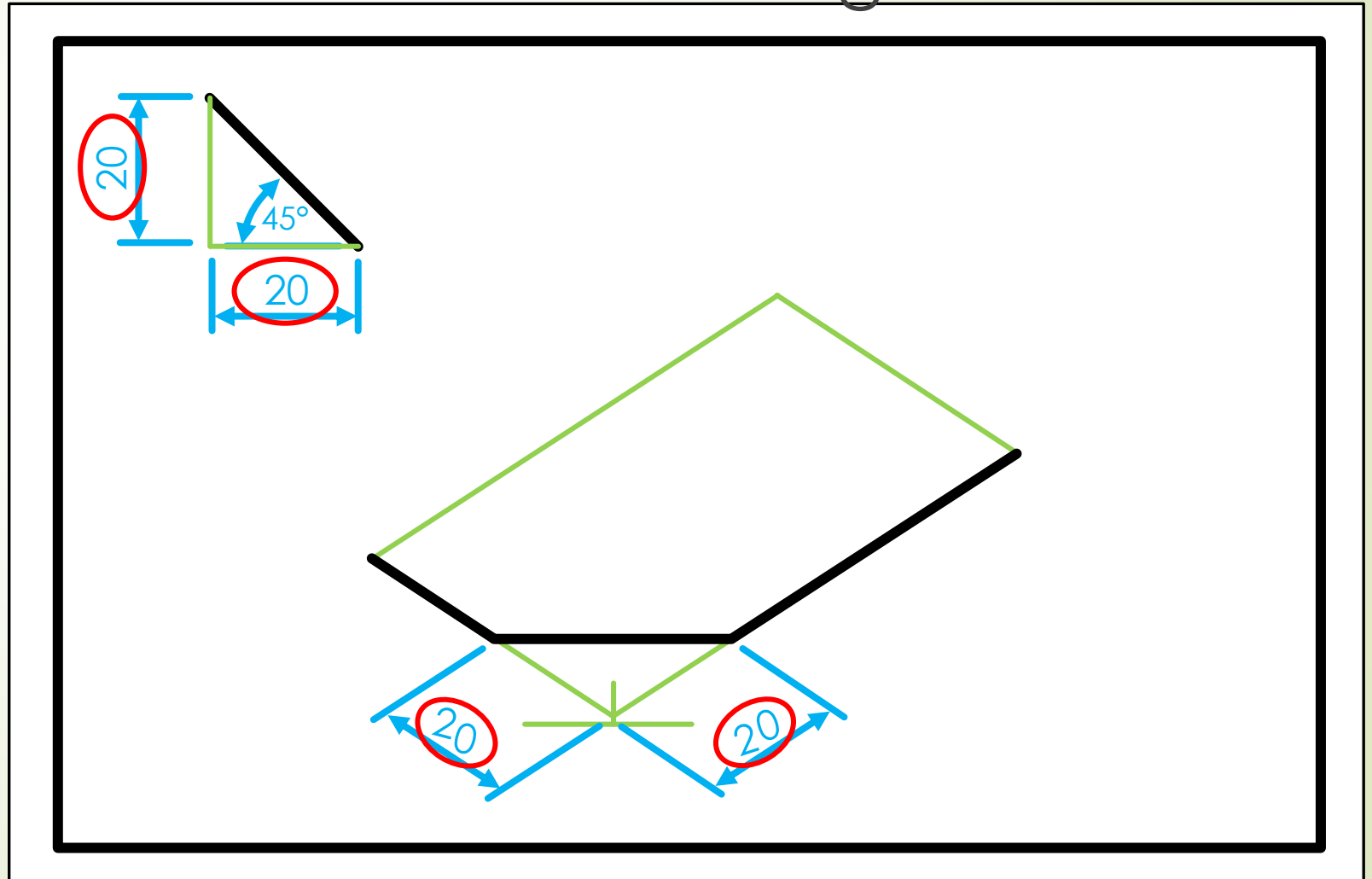
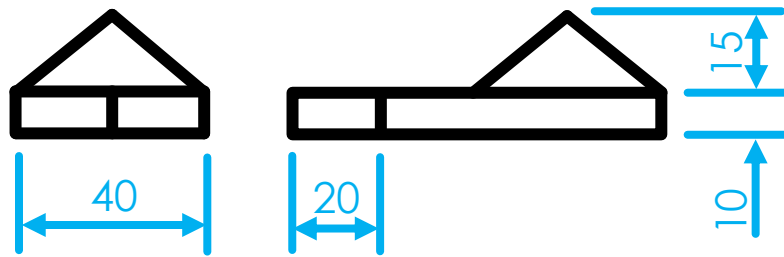
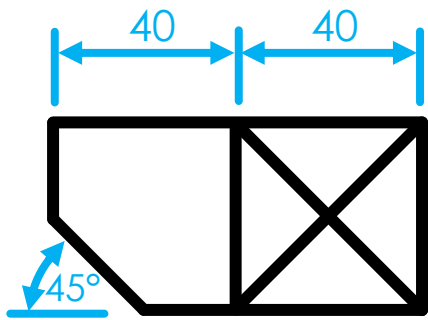
# ISOMETRIC DRAWINGS

- **Question:** Use the given orthographic views and convert it into an isometric drawing.



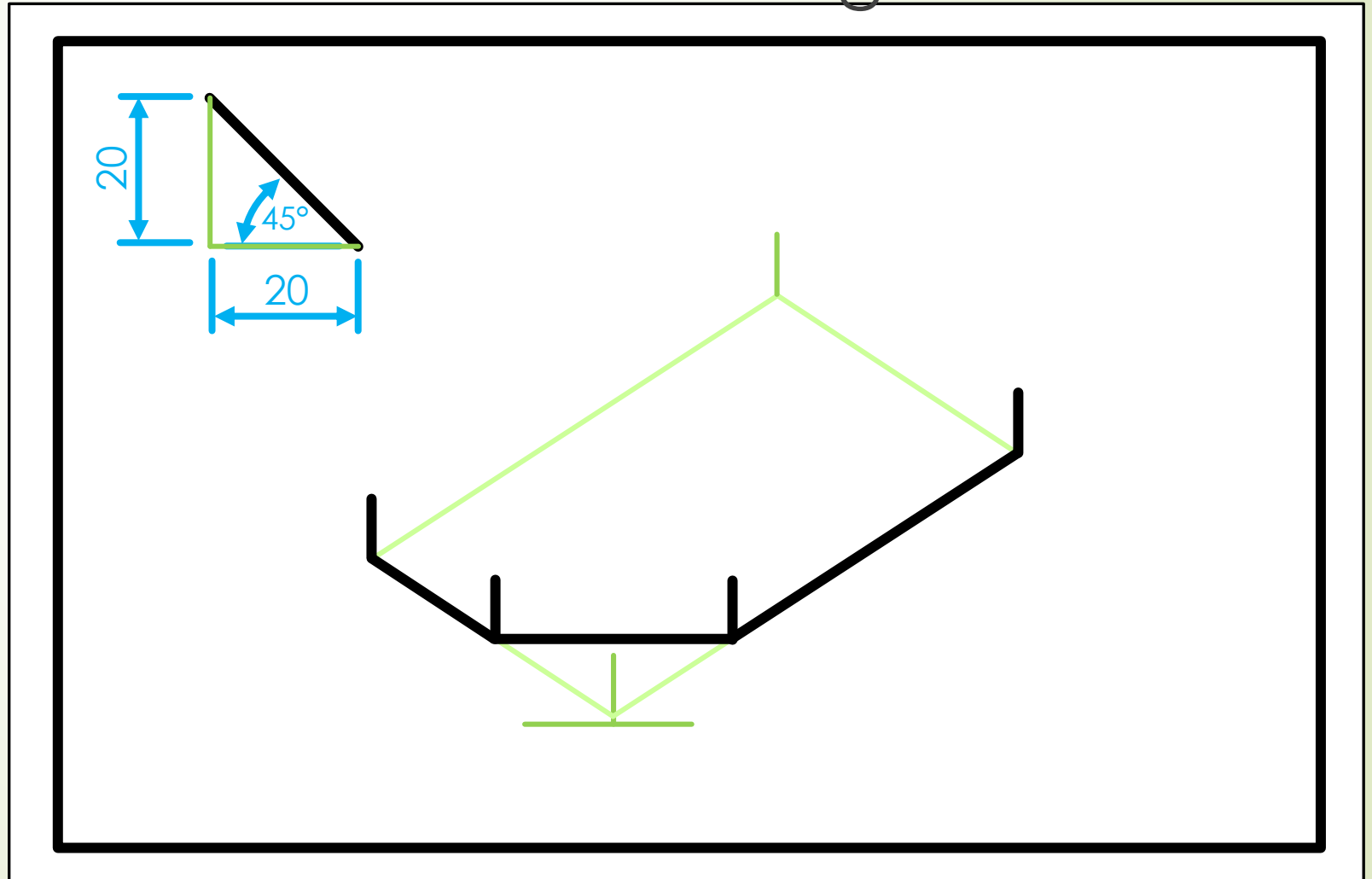
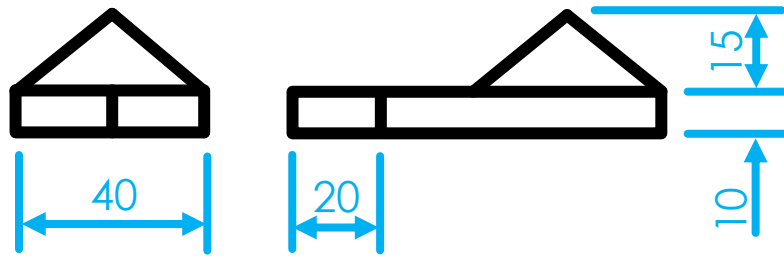
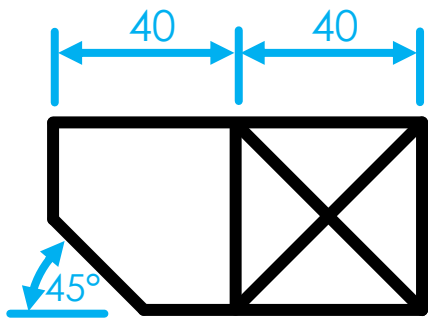
# ISOMETRIC DRAWINGS

- **Question:** Use the given orthographic views and convert it into an isometric drawing.



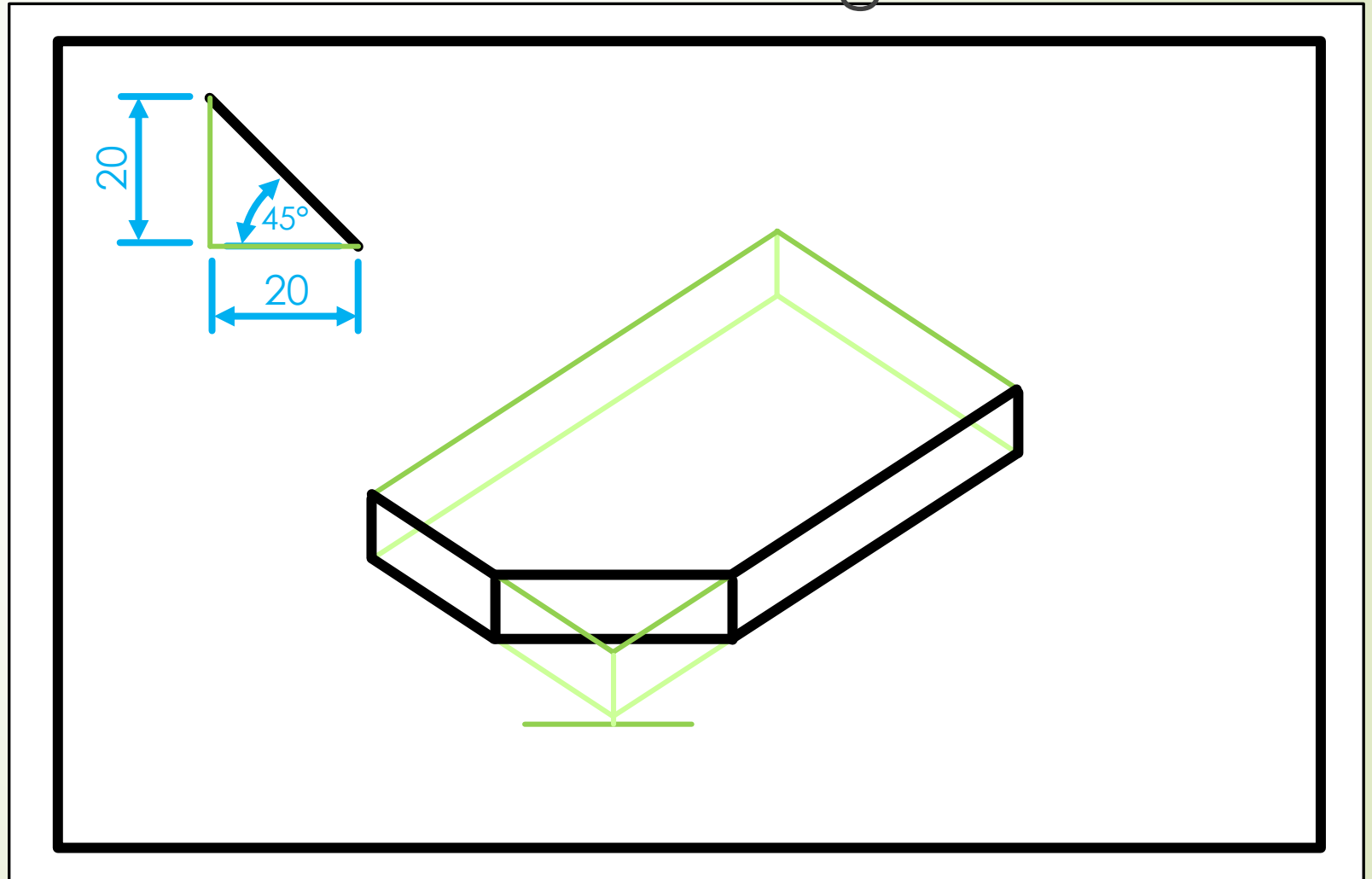
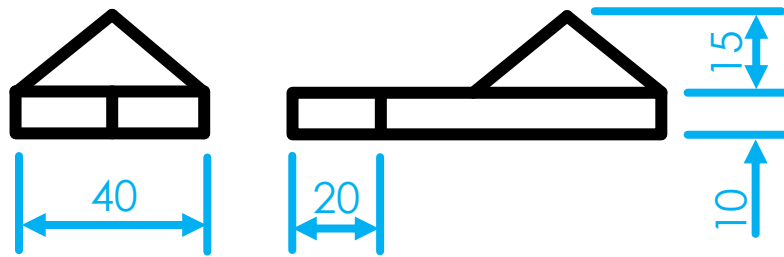
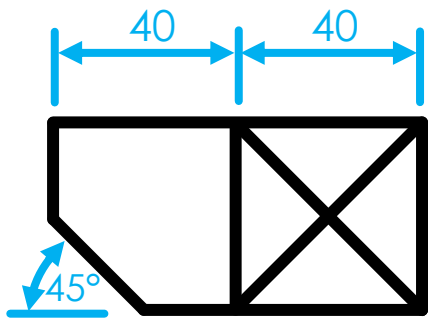
# ISOMETRIC DRAWINGS

- **Question:** Use the given orthographic views and convert it into an isometric drawing.



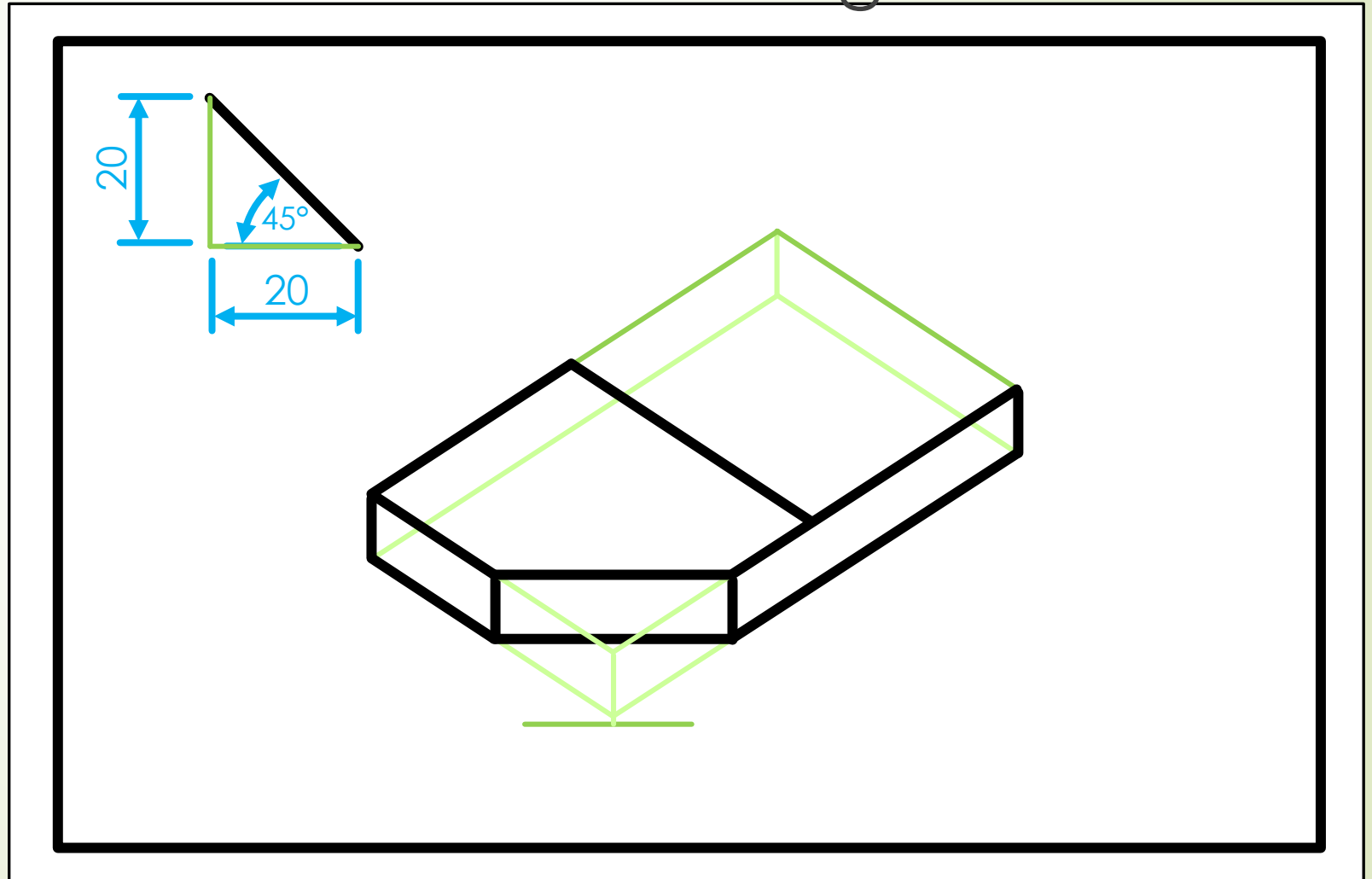
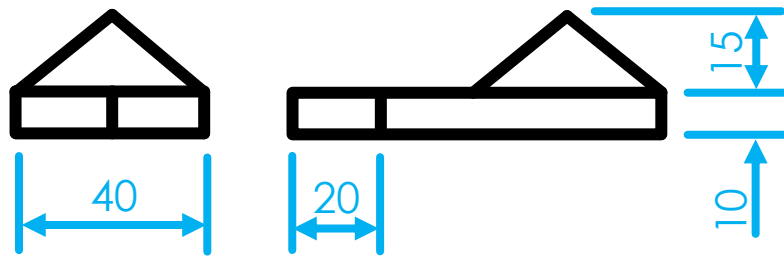
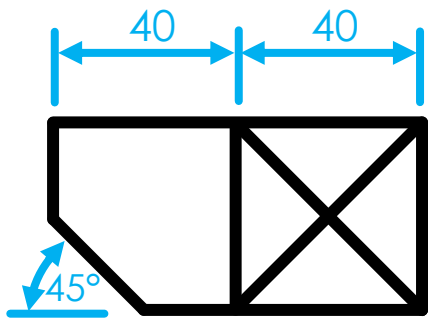
# ISOMETRIC DRAWINGS

- **Question:** Use the given orthographic views and convert it into an isometric drawing.



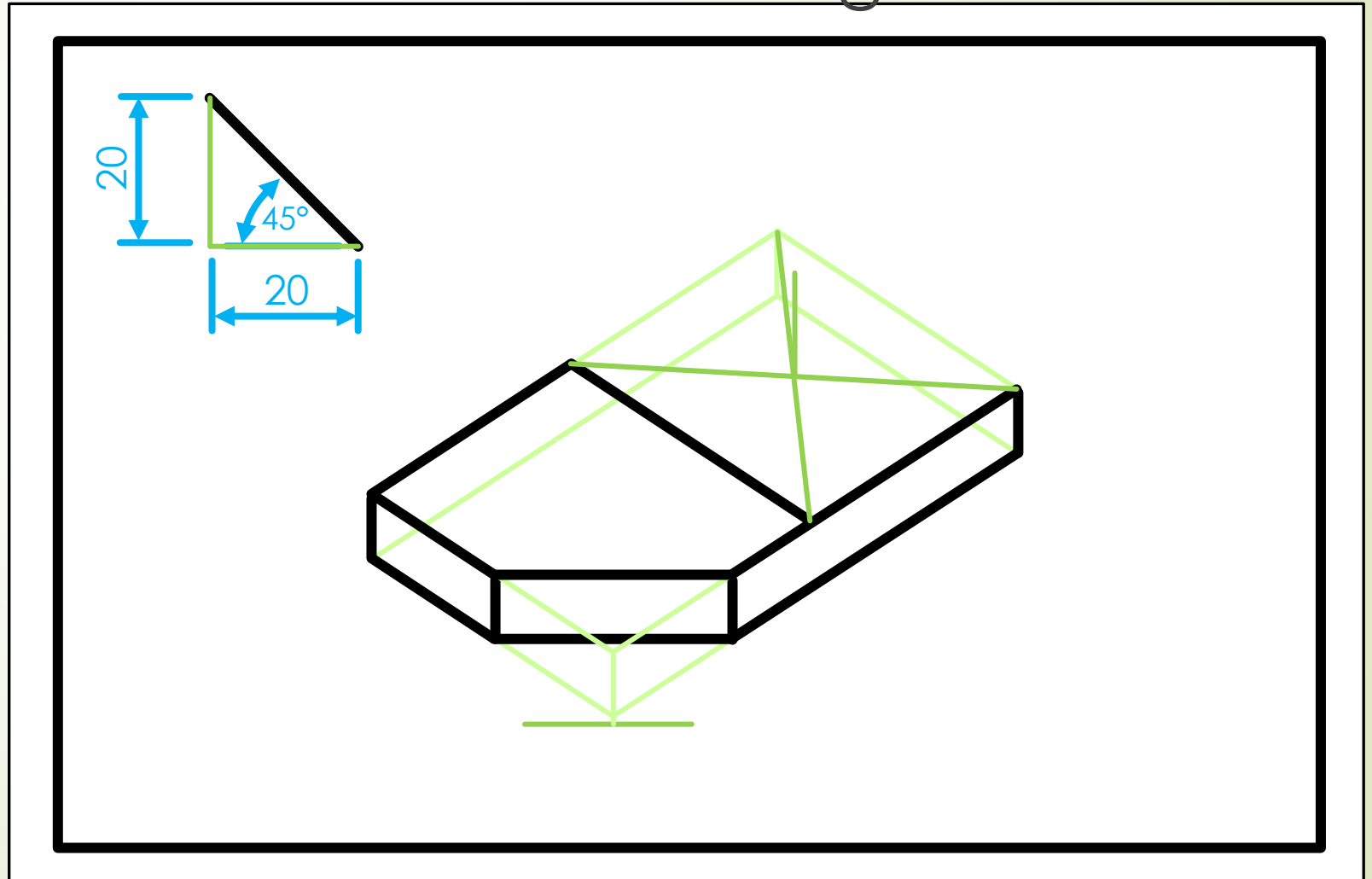
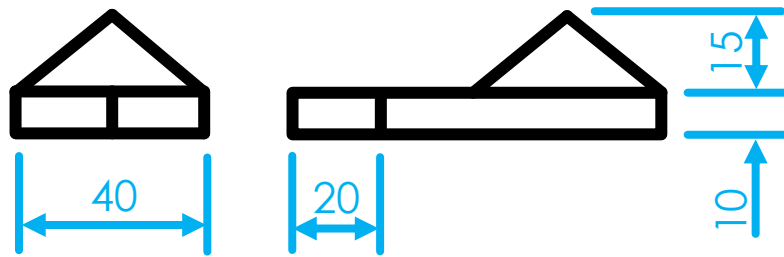
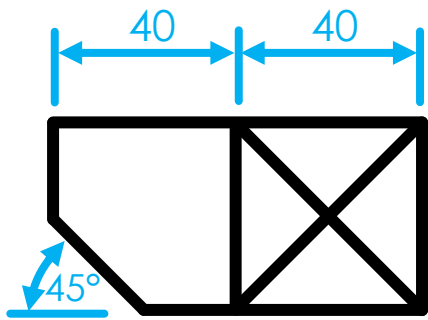
# ISOMETRIC DRAWINGS

- **Question:** Use the given orthographic views and convert it into an isometric drawing.



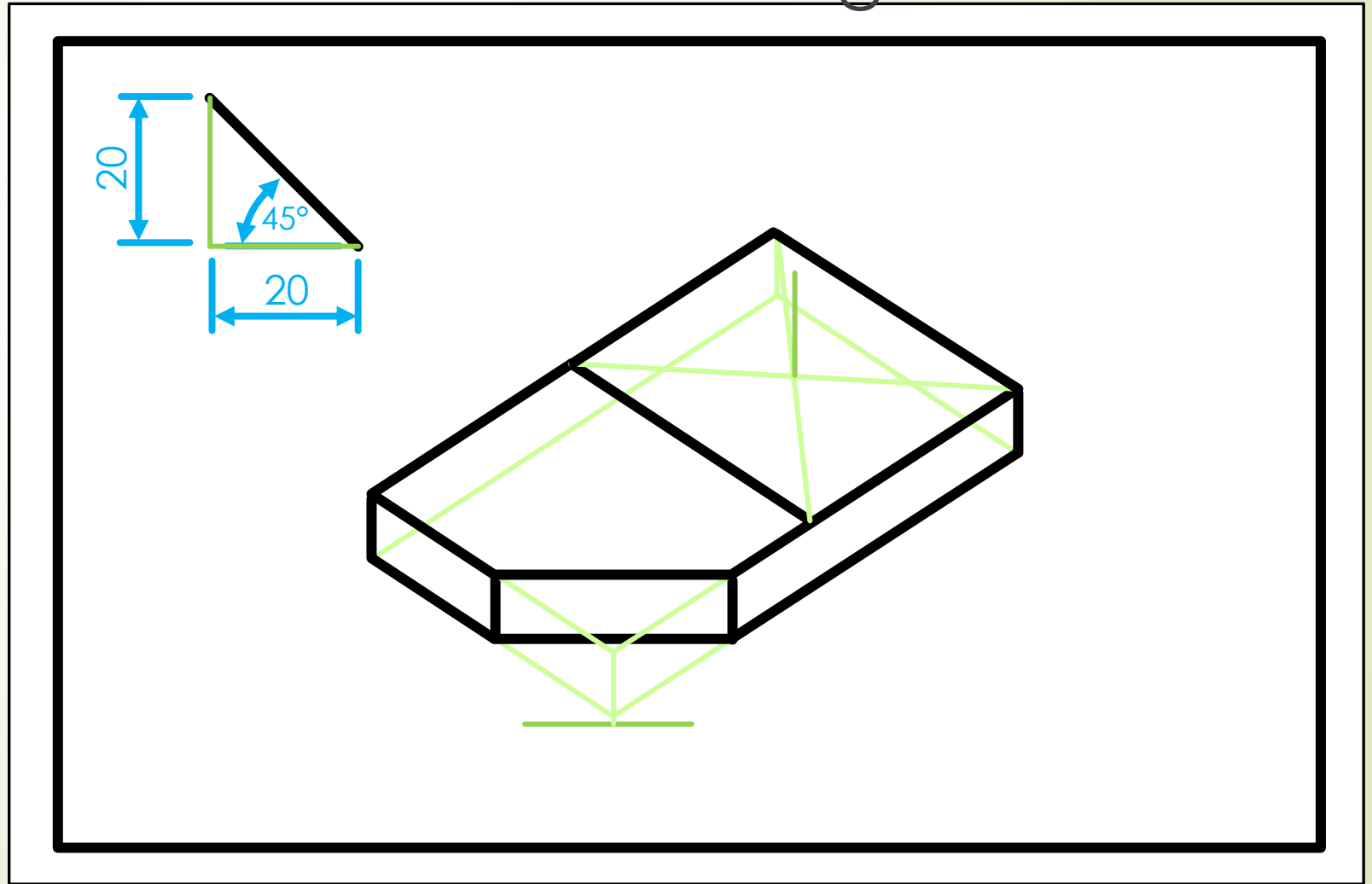
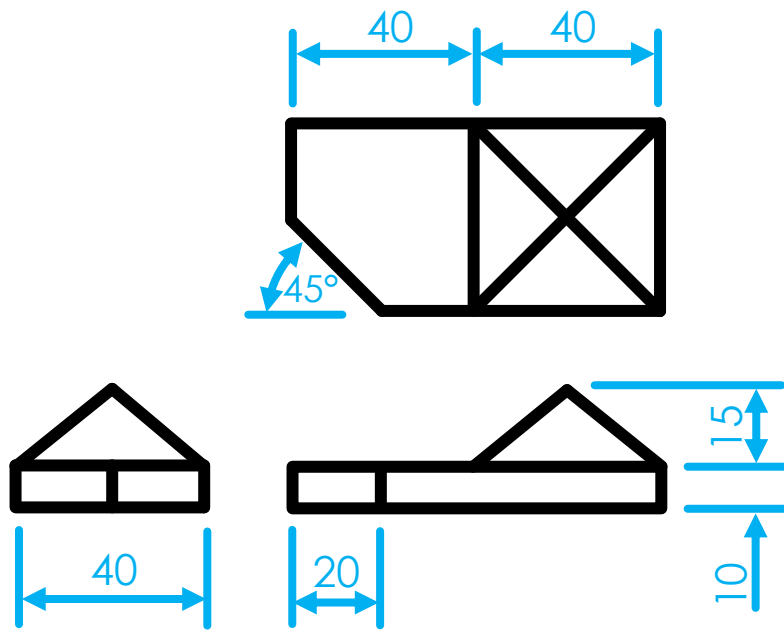
# ISOMETRIC DRAWINGS

- **Question:** Use the given orthographic views and convert it into an isometric drawing.



# ISOMETRIC DRAWINGS

- **Question:** Use the given orthographic views and convert it into an isometric drawing.



# ISOMETRIC DRAWINGS

- **Question:** Use the given orthographic views and convert it into an isometric drawing.

