

STAPEL

**QUESTION 3: ISOMETRIC DRAWING**

**Given:**

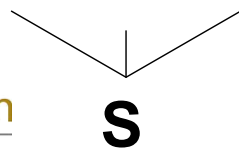
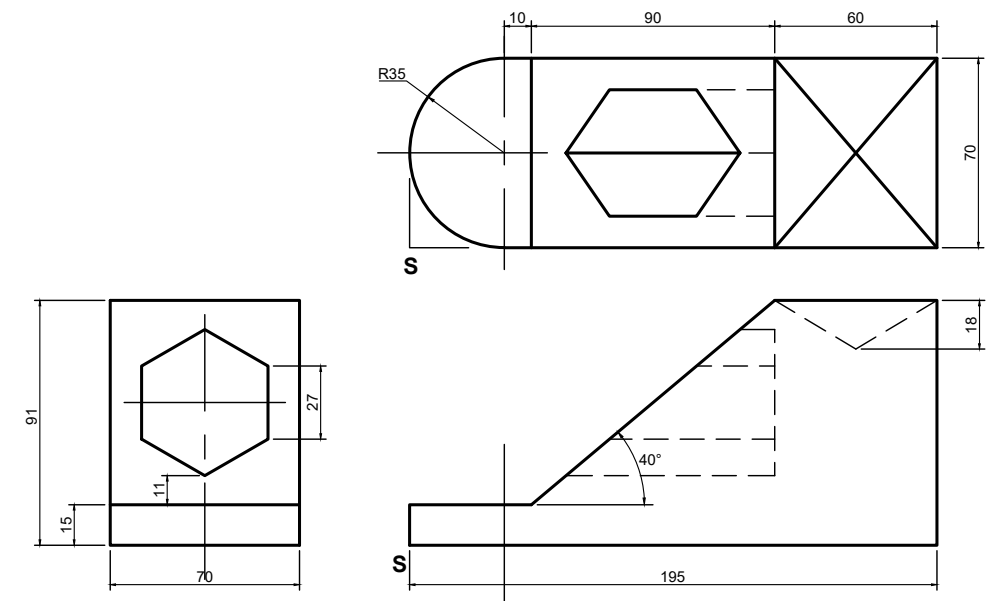
The front view, top view and left view of a casting.  
The position of point S on page 20.

**Instructions:**

Use a scale of 1:1 to convert the orthographic view of the casting into a sectional isometric drawing on cutting plane A-A.

- Make S the lowest point of the drawing.
- Show ALL necessary constructions.
- NO hidden detail is required.

[22]



ASSESSMENT CRITERIA				
1	ISOMETRIC CIRCLE ( $\frac{12}{2}$ )	6		
2	AUXILIARY VIEW ( $\frac{5}{2}$ )	2.5		
3	BASE & HEXAGON ( $\frac{19}{2}$ )	9		
4	PYRAMID ( $\frac{6}{2}$ )	4.5		
5	PLACEMENT WRONG MAX -2			
TOTAL		22		

ISOMETRIC DRAWING	ESTIMATED TIME FOR COMPLETION	35 MIN	GRADE	INITIALS & SURNAME	TASK	PAGE
	YOUR TIME FOR COMPLETION	MIN				