



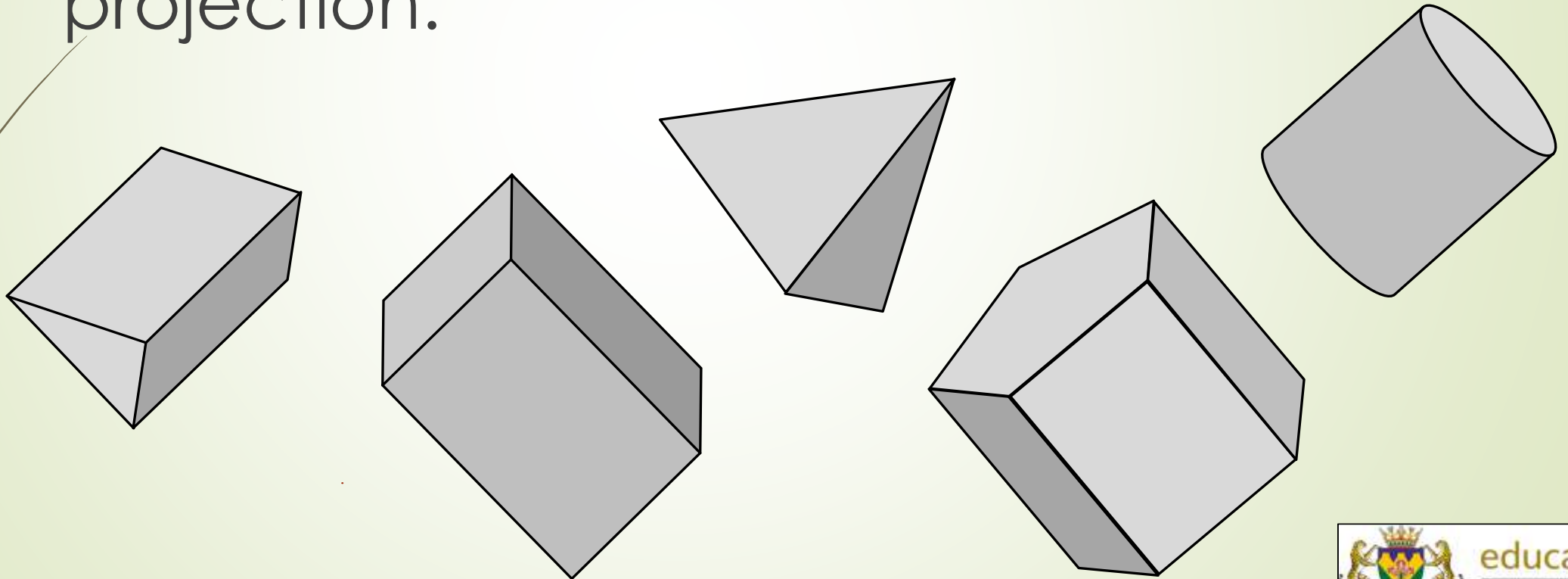
# Application on polygons Inclined Axis (Pyramids, Prisms)

## Grade 10, 11 & 12

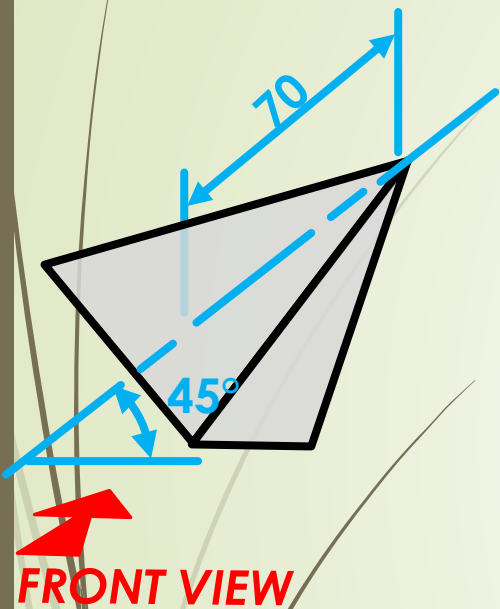
Developed by: PC Viljoen  
Senior Educational Specialist for  
Engineering Graphics and Design  
Free State Province

# Application on pyramids, prisms, cones and cylinders

- ➔ Draw inclined pyramids, prisms, cones and cylinders in first angle orthographic projection.



# Application on pyramids and prisms



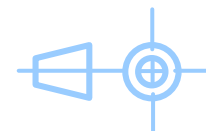
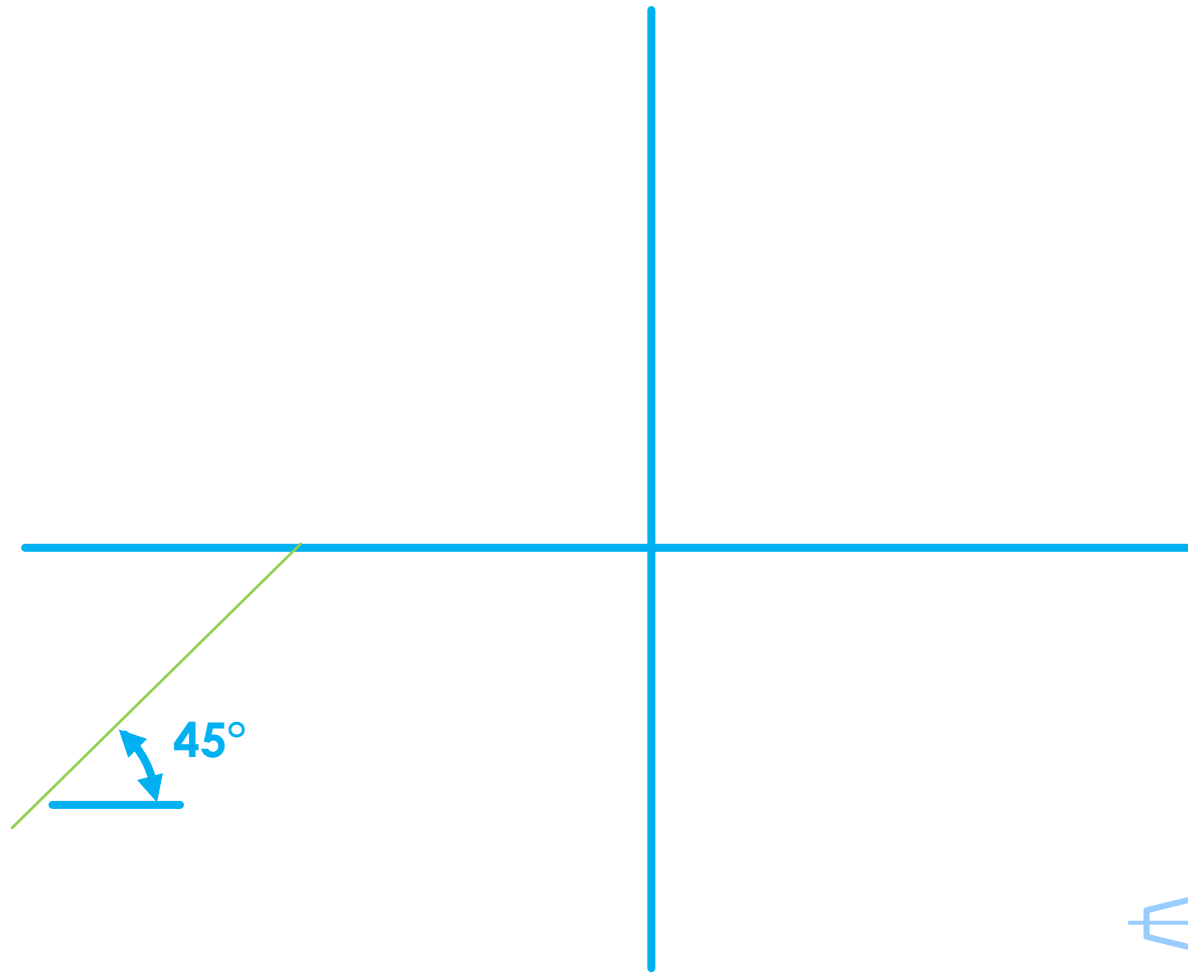
**Given:**

A square pyramid

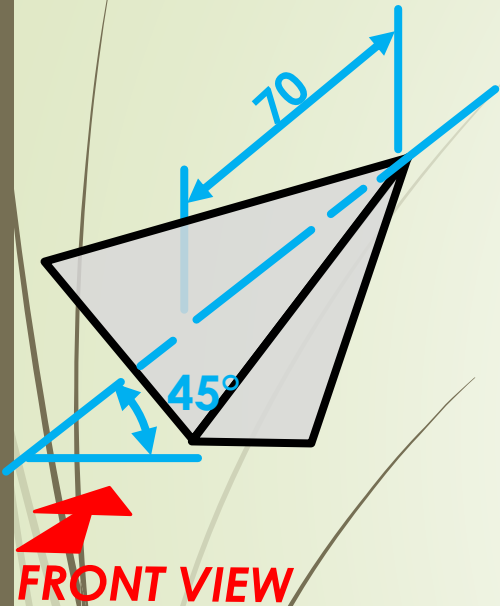
**Question:**

In F.A.O.P. draw...

1. A front view
2. A left view
3. A top view



# Application on pyramids and prisms



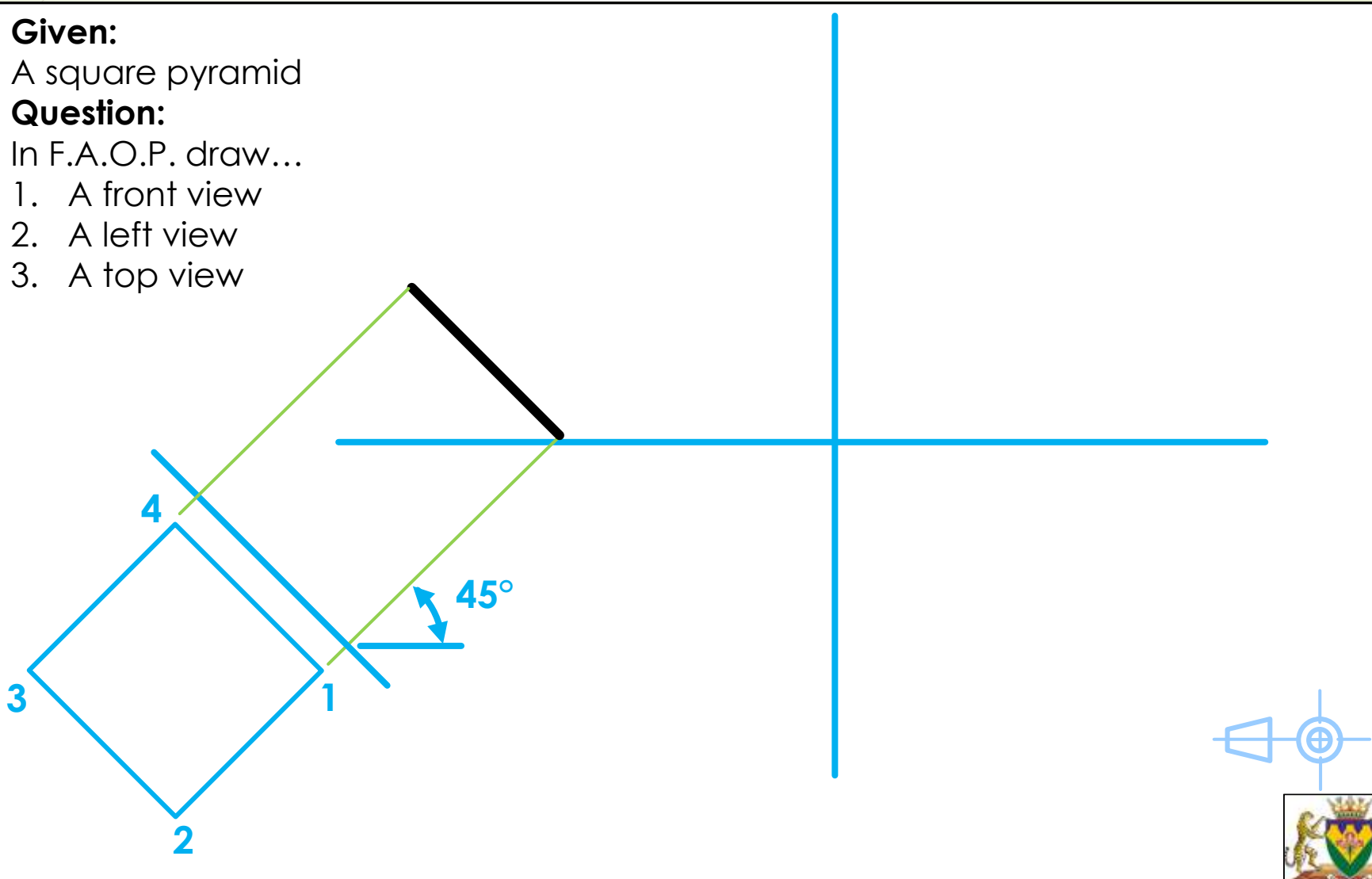
**Given:**

A square pyramid

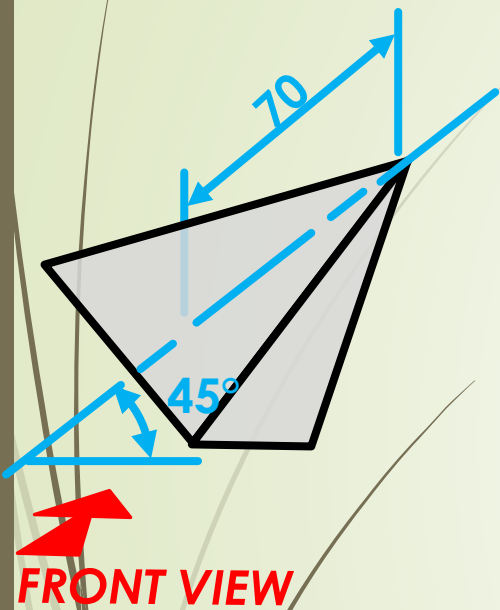
**Question:**

In F.A.O.P. draw...

1. A front view
2. A left view
3. A top view



# Application on pyramids and prisms



FRONT VIEW

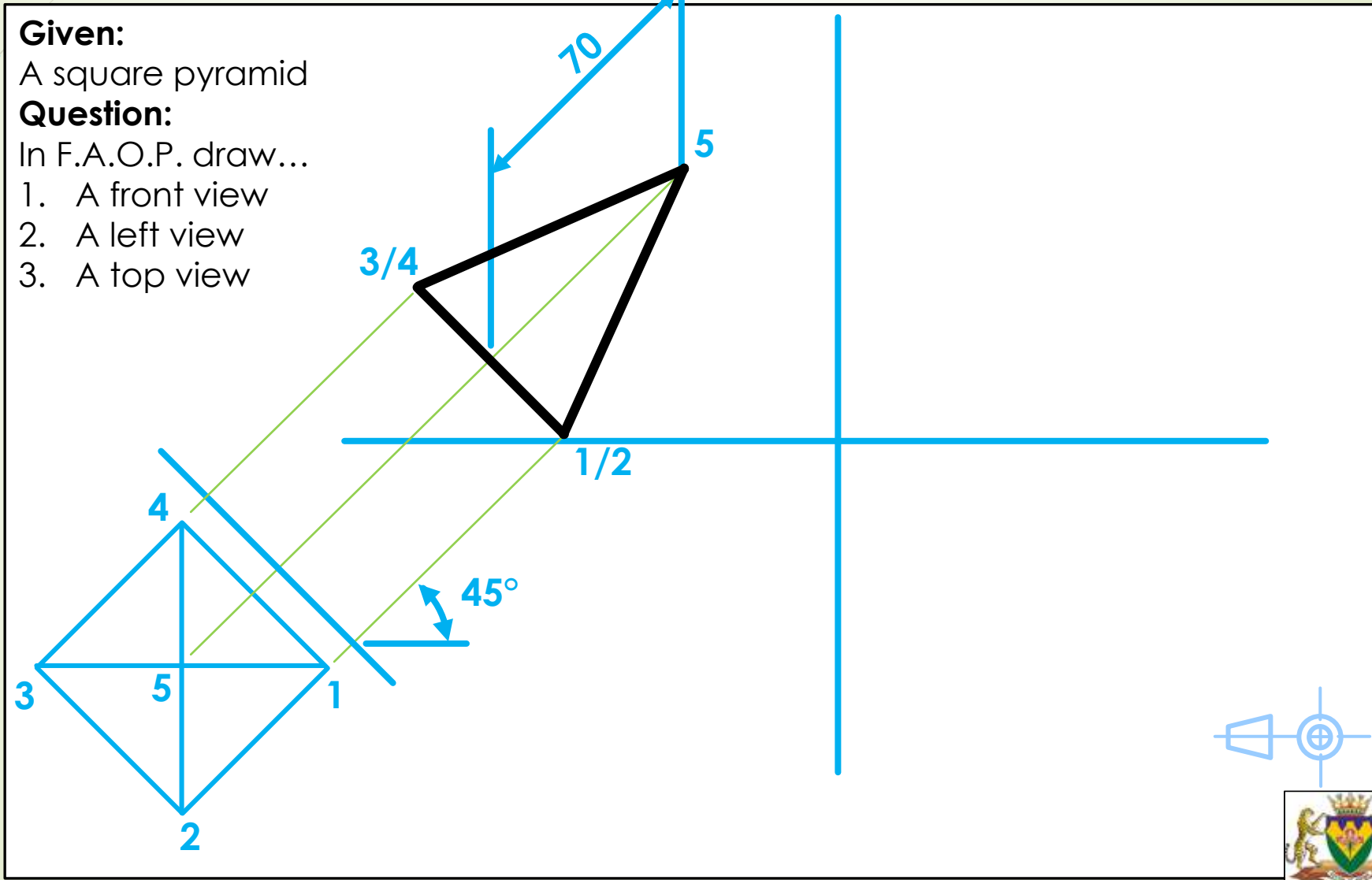
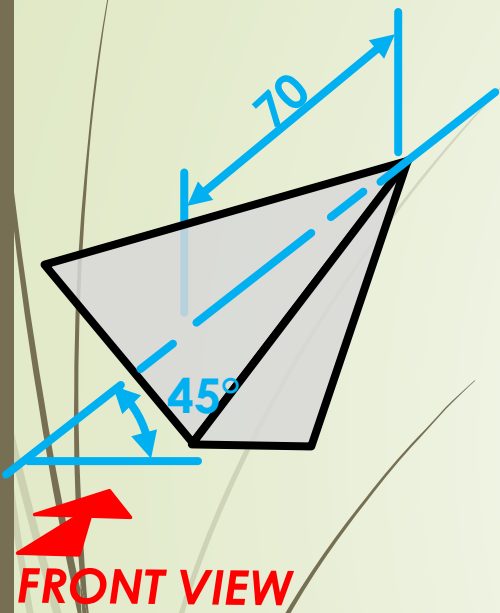
**Given:**  
A square pyramid

**Question:**  
In F.A.O.P. draw...

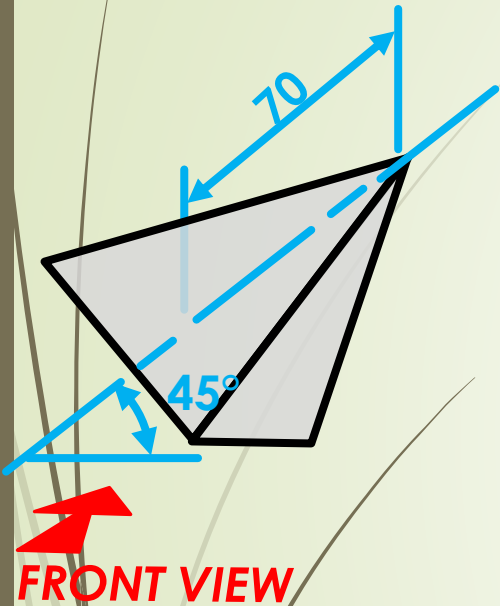
1. A front view
2. A left view
3. A top view

The diagram shows the orthographic projection setup. It includes a horizontal reference line (XY line) and a vertical reference line. The front view is a triangle with a height of 70. The top view is a square with vertices labeled 1, 2, 3, and 4, and a center point 5. The top view is rotated 45 degrees. The left view is a rectangle with a height of 70. A 45-degree angle is shown between the top view and the front view. A symbol in the bottom right corner indicates the front view direction.

# Application on pyramids and prisms



# Application on pyramids and prisms



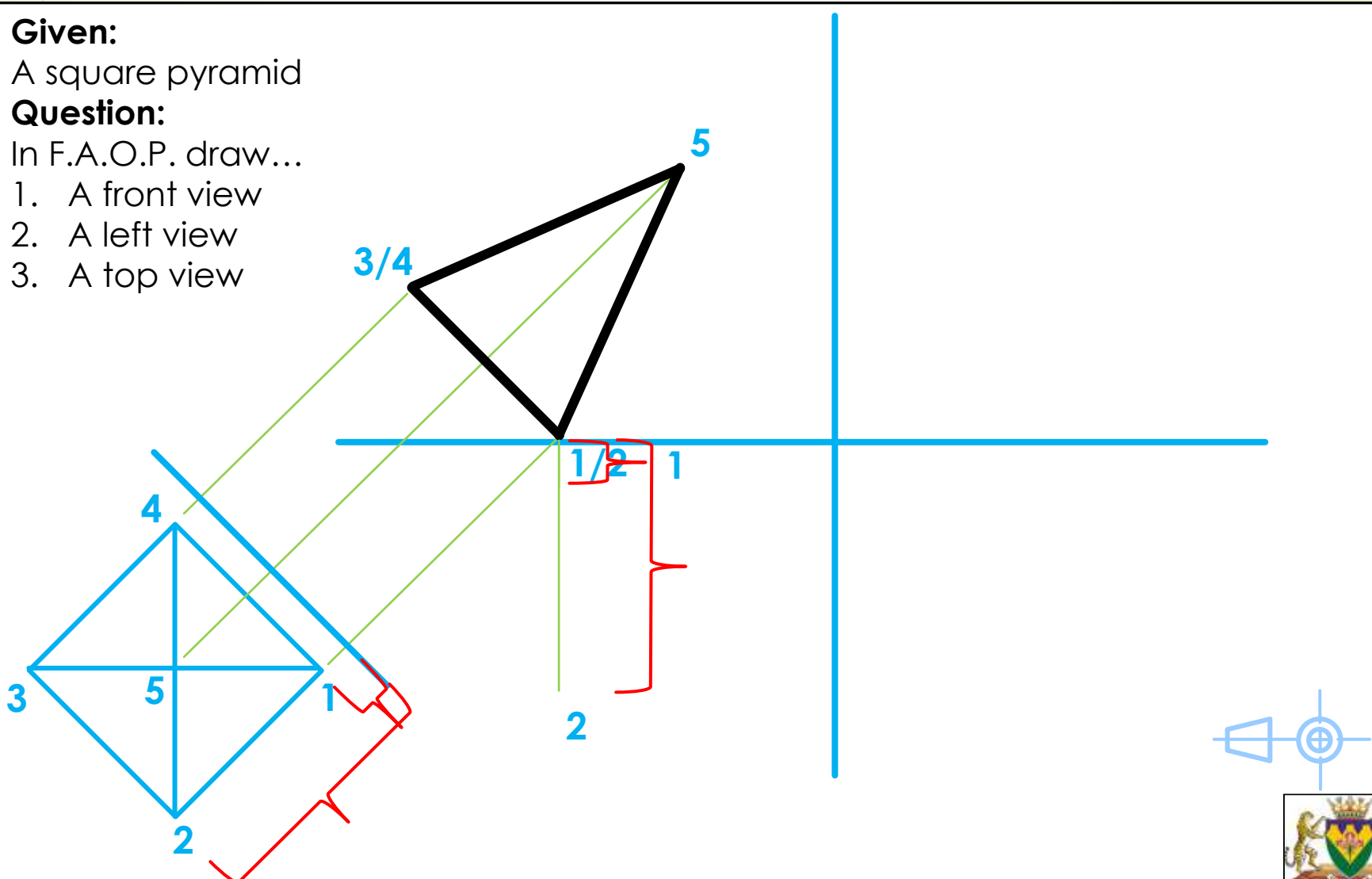
**Given:**

A square pyramid

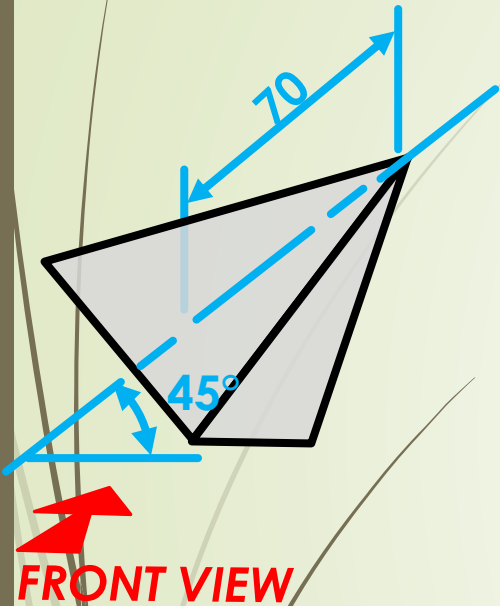
**Question:**

In F.A.O.P. draw...

1. A front view
2. A left view
3. A top view



# Application on pyramids and prisms



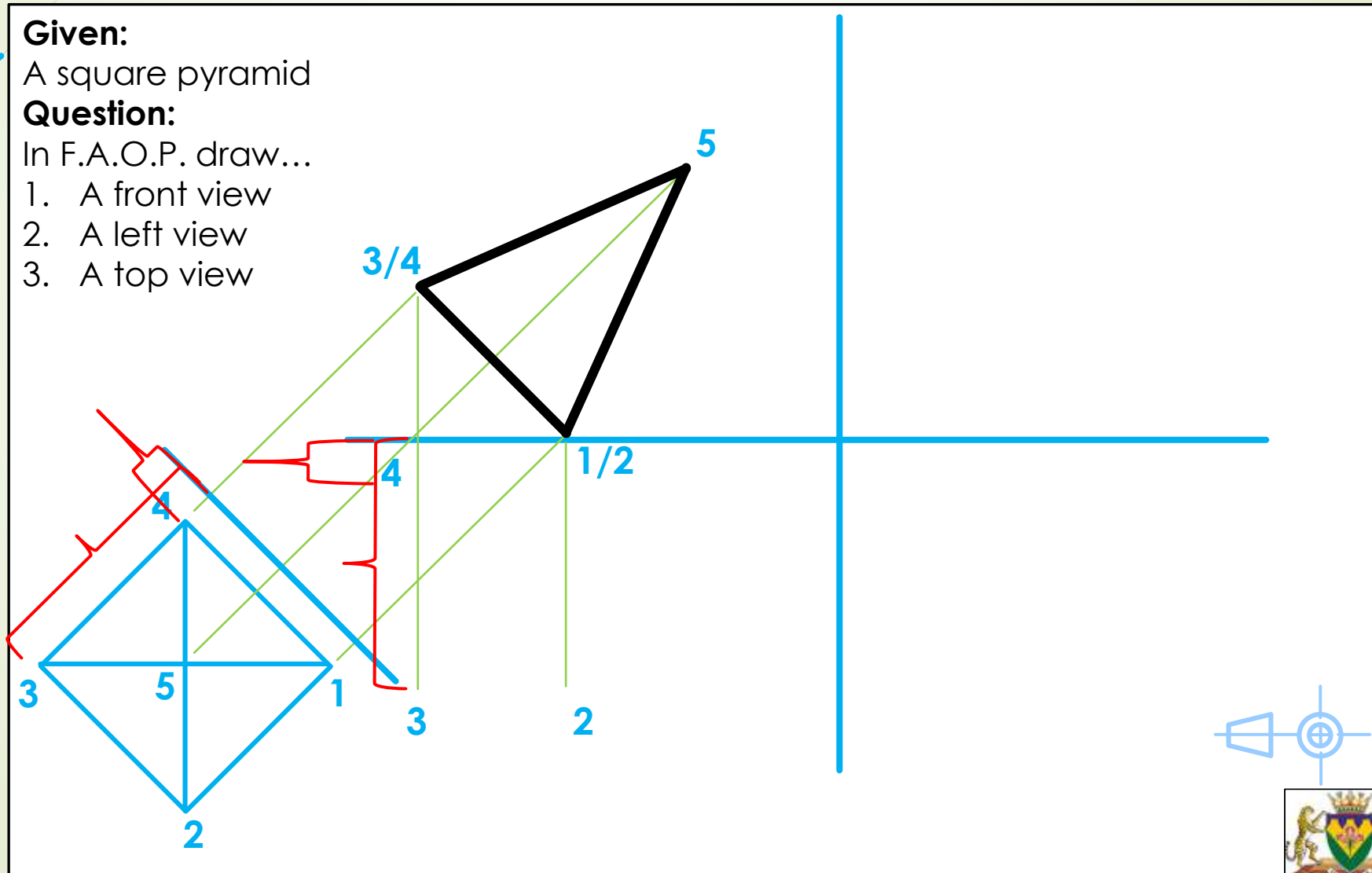
**Given:**

A square pyramid

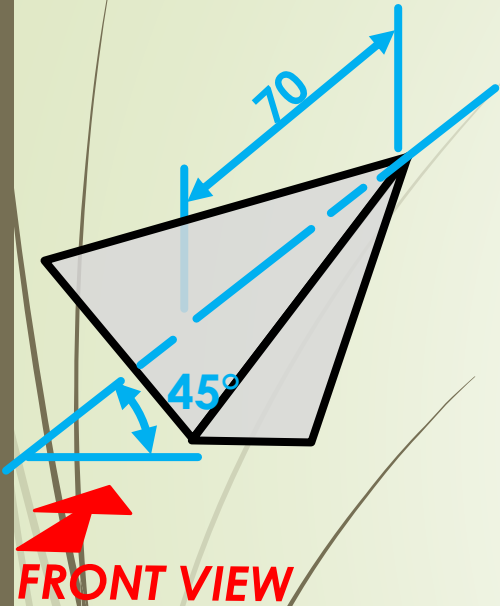
**Question:**

In F.A.O.P. draw...

1. A front view
2. A left view
3. A top view



# Application on pyramids and prisms



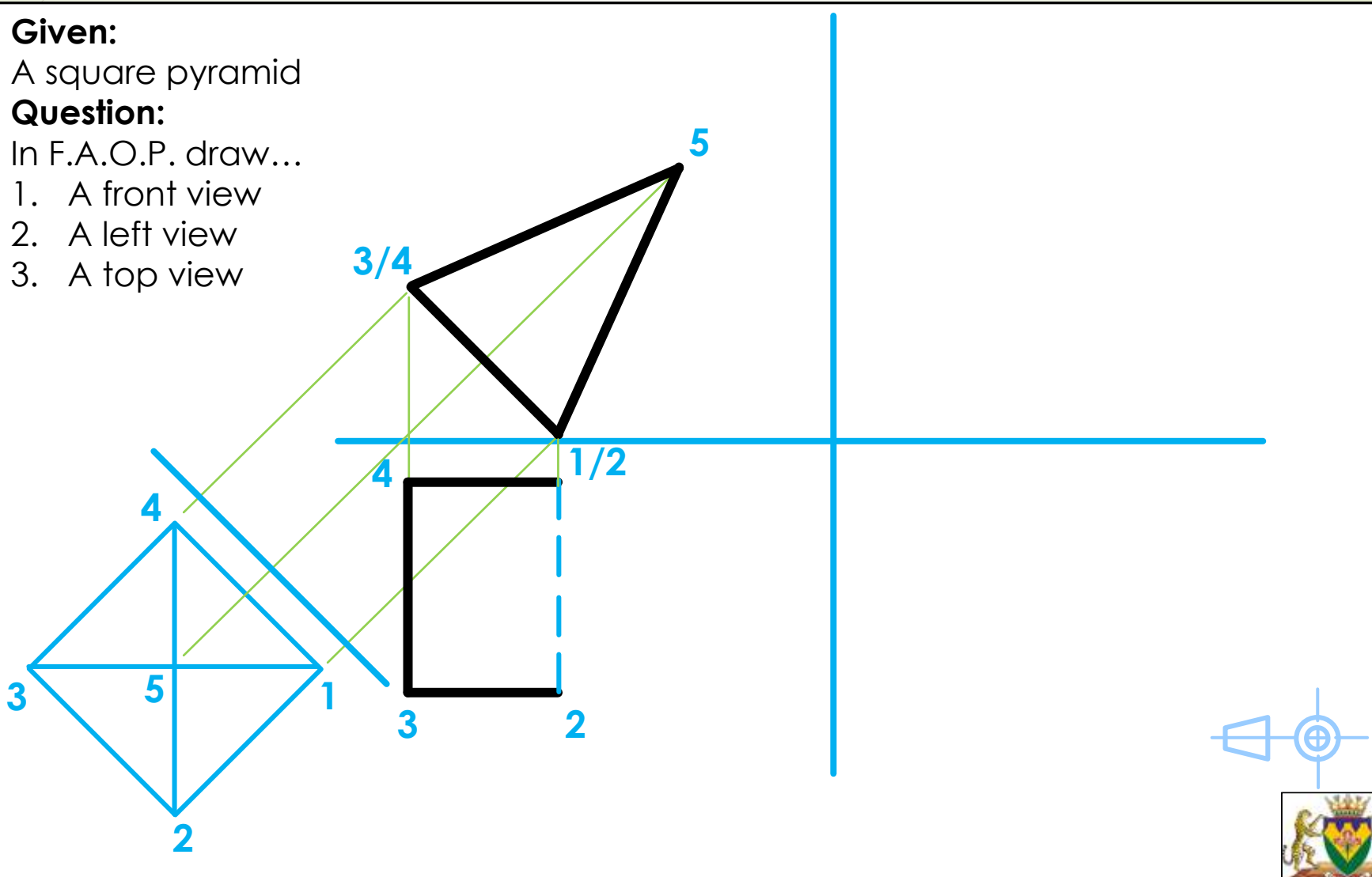
**Given:**

A square pyramid

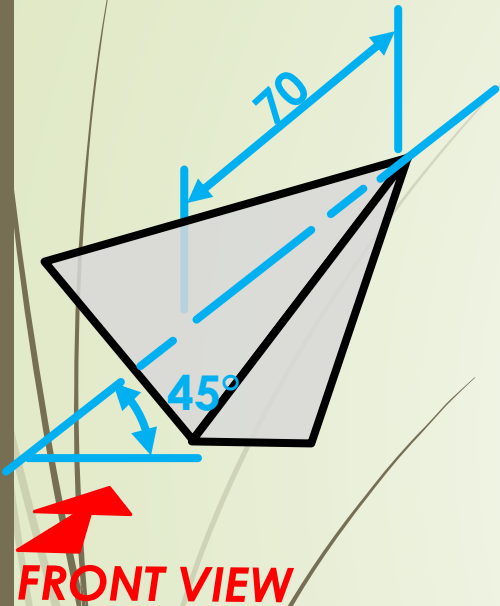
**Question:**

In F.A.O.P. draw...

1. A front view
2. A left view
3. A top view



# Application on pyramids and prisms



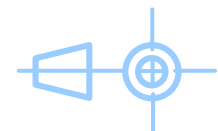
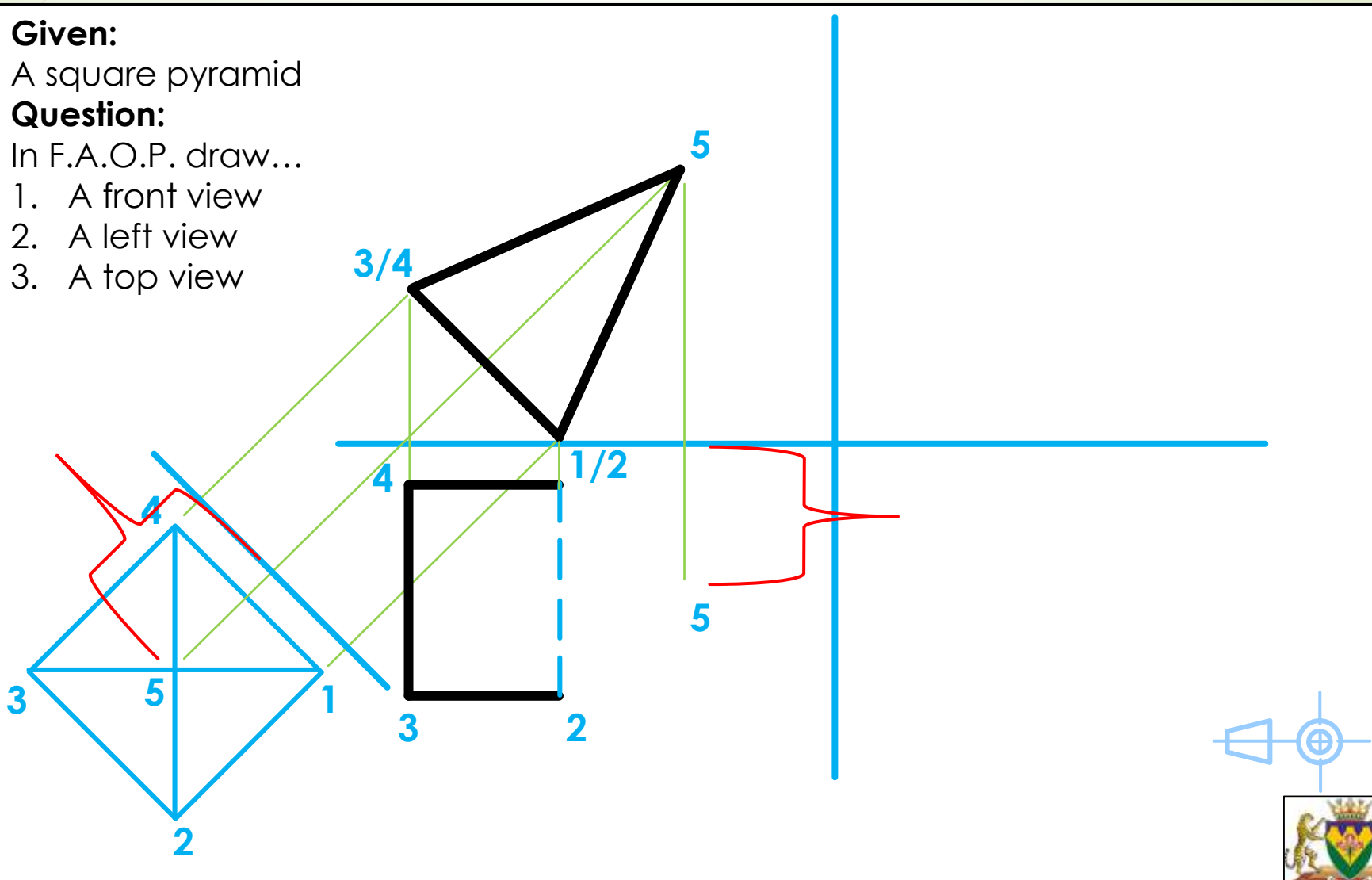
**Given:**

A square pyramid

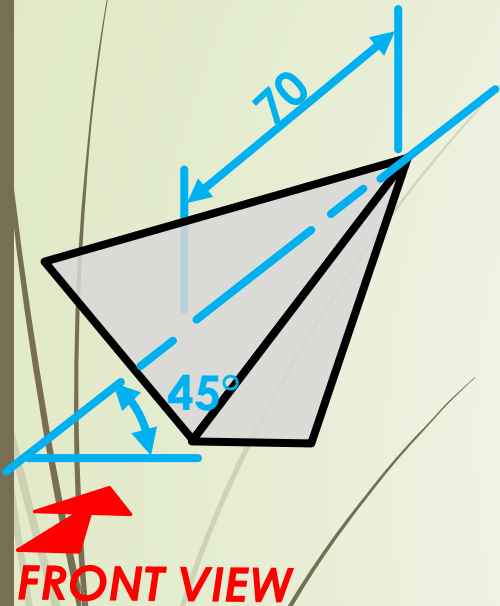
**Question:**

In F.A.O.P. draw...

1. A front view
2. A left view
3. A top view



# Application on pyramids and prisms



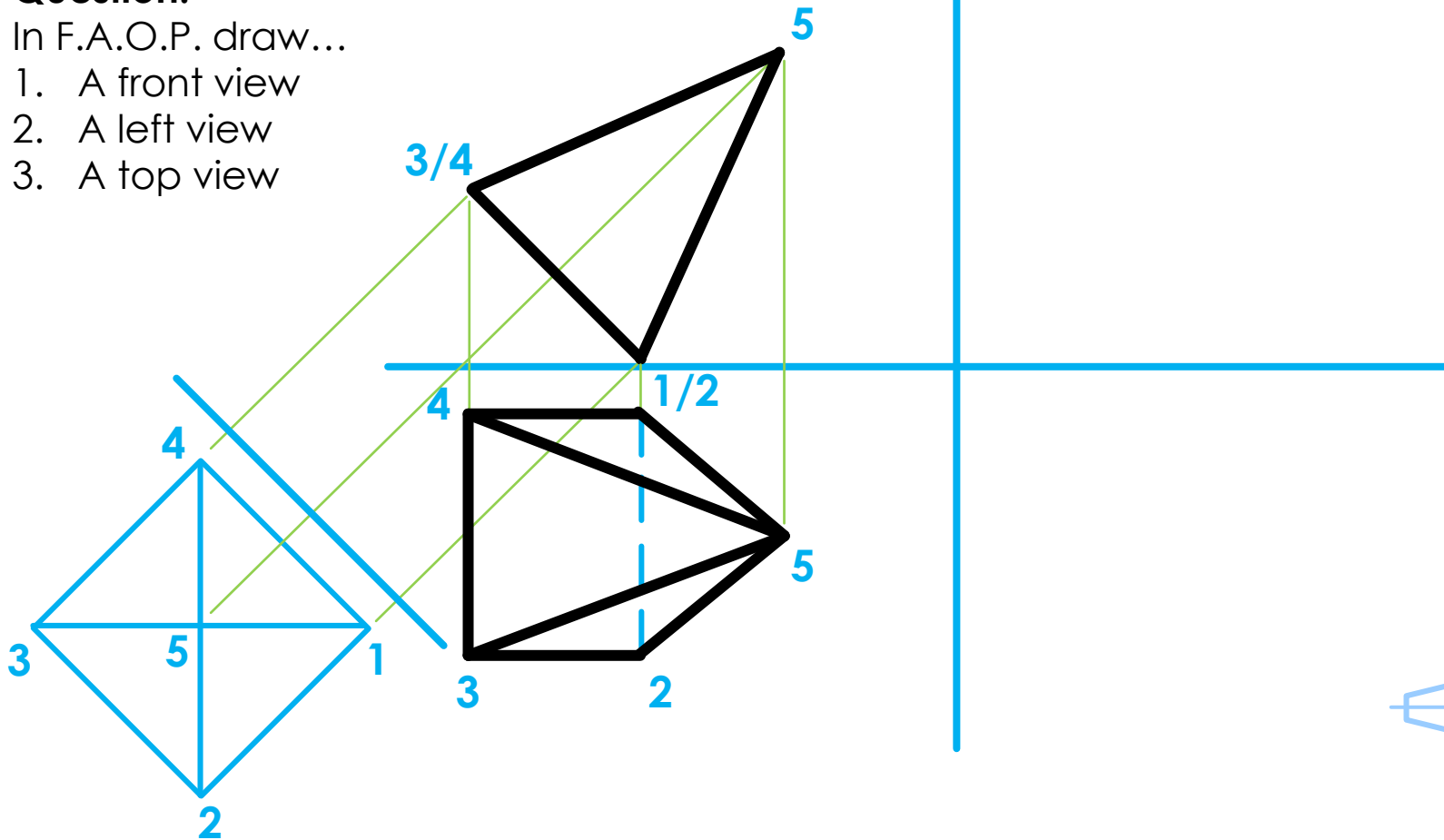
**Given:**

A square pyramid

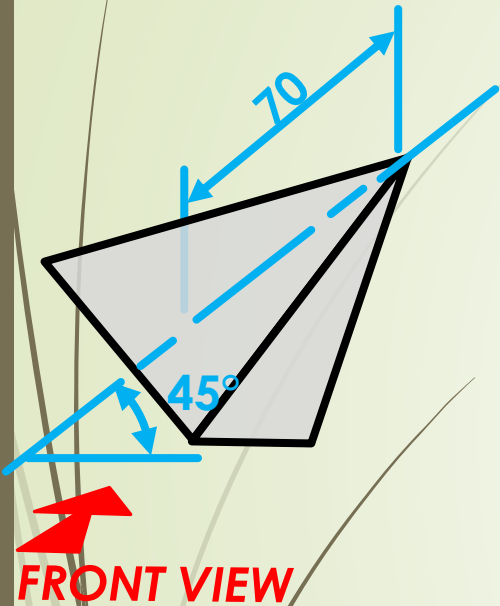
**Question:**

In F.A.O.P. draw...

1. A front view
2. A left view
3. A top view



# Application on pyramids and prisms



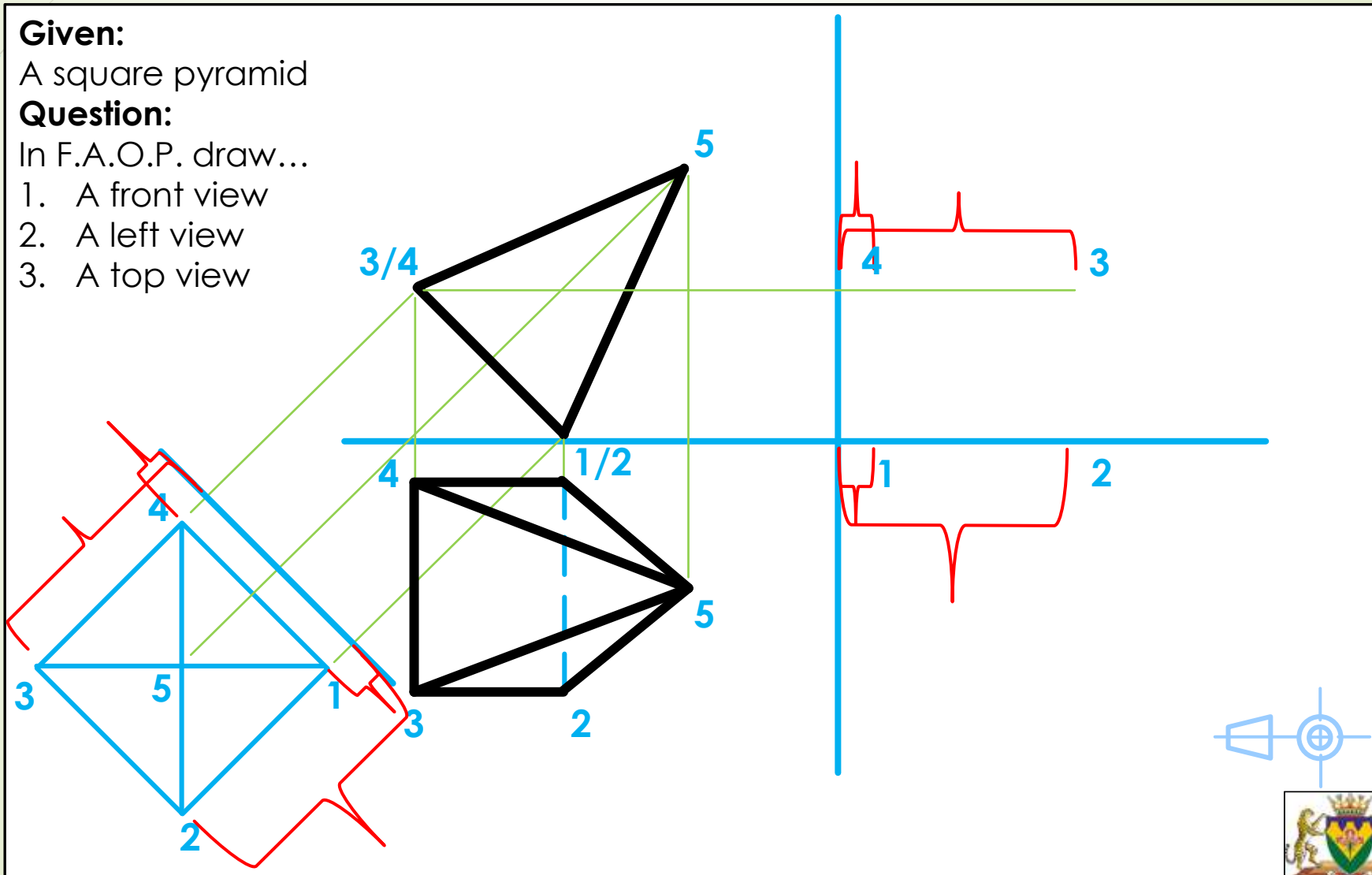
**Given:**

A square pyramid

**Question:**

In F.A.O.P. draw...

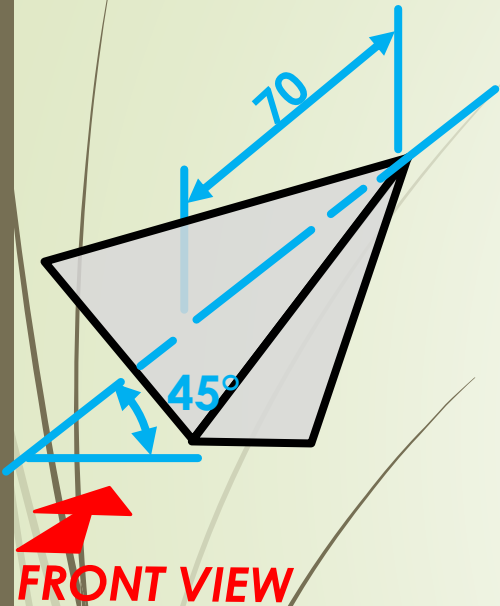
1. A front view
2. A left view
3. A top view







# Application on pyramids and prisms



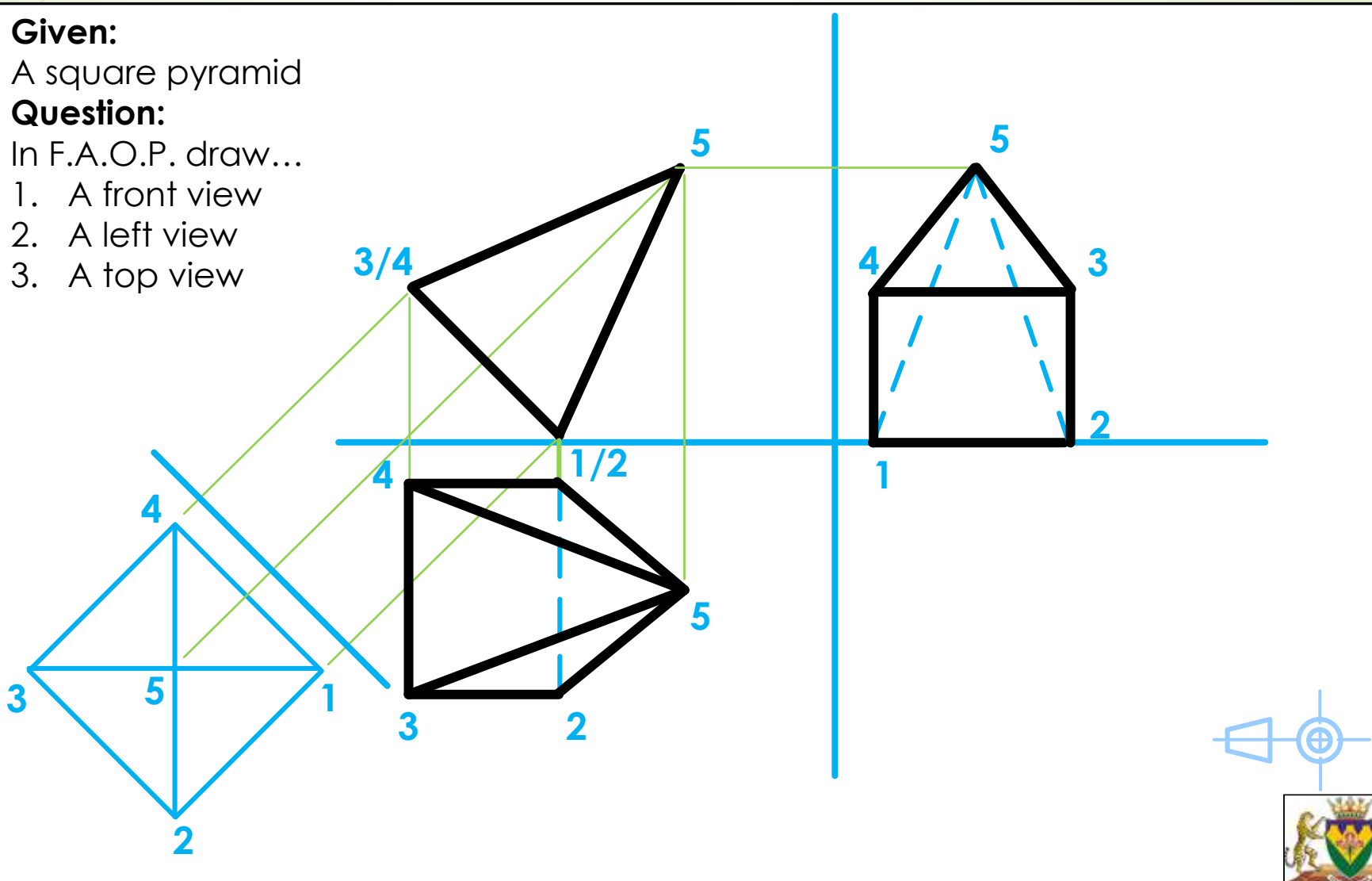
**Given:**

A square pyramid

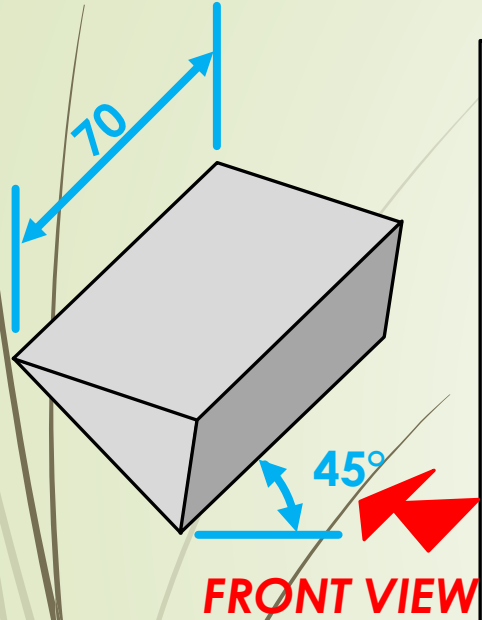
**Question:**

In F.A.O.P. draw...

1. A front view
2. A left view
3. A top view



# Application on pyramids and prisms



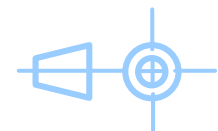
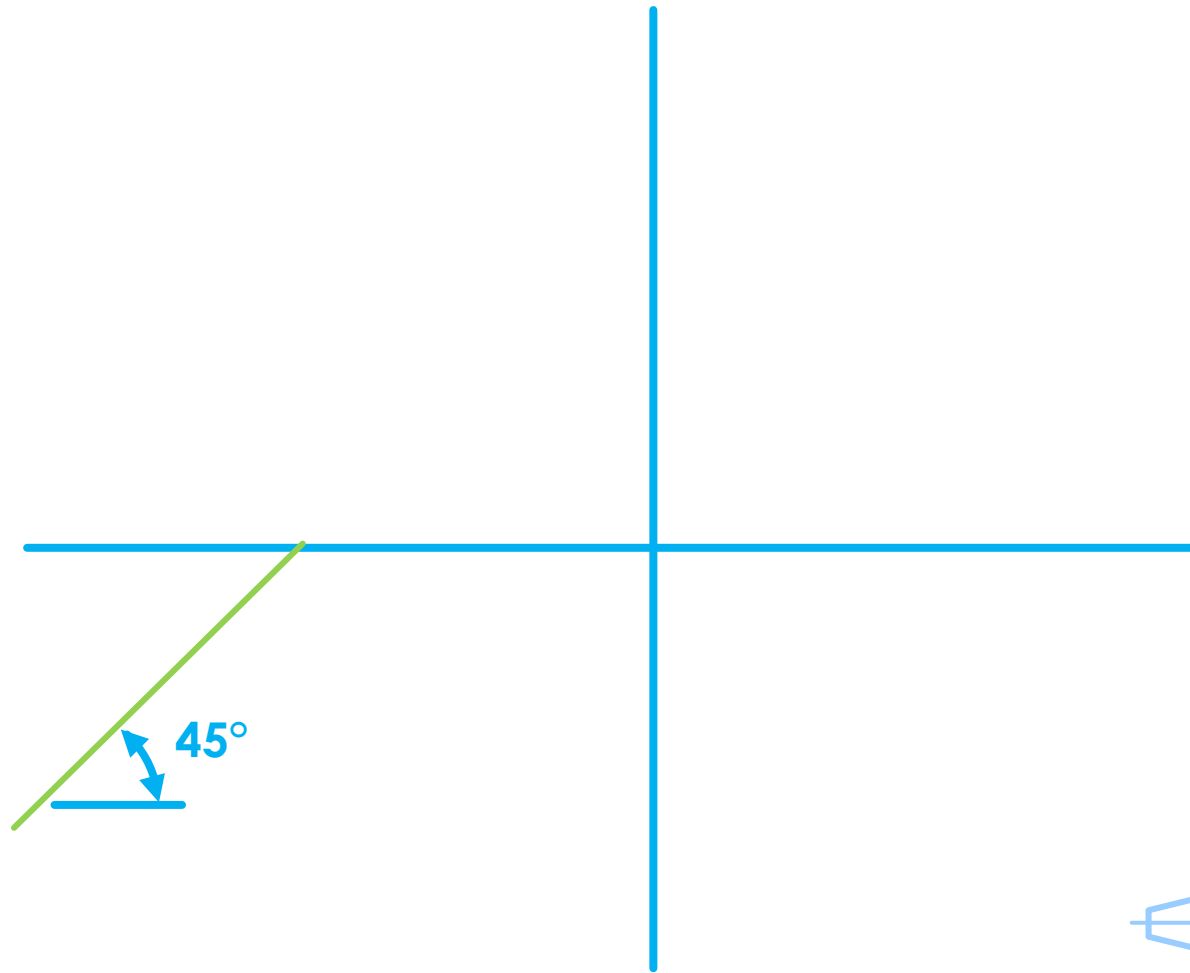
**Given:**

A triangular prism

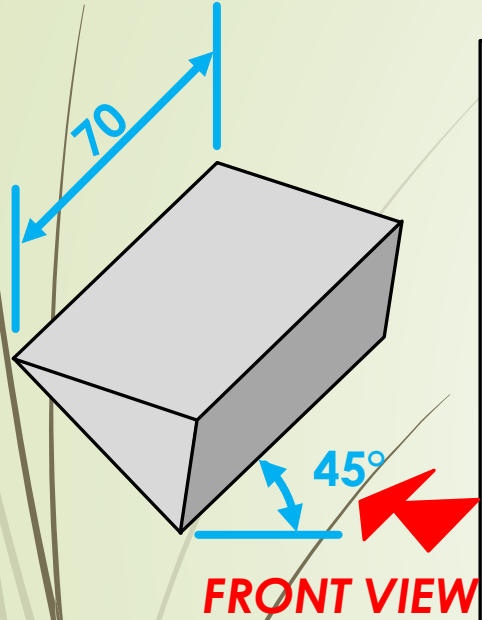
**Question:**

In F.A.O.P. draw...

1. A front view
2. A left view
3. A top view



# Application on pyramids and prisms



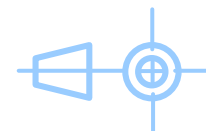
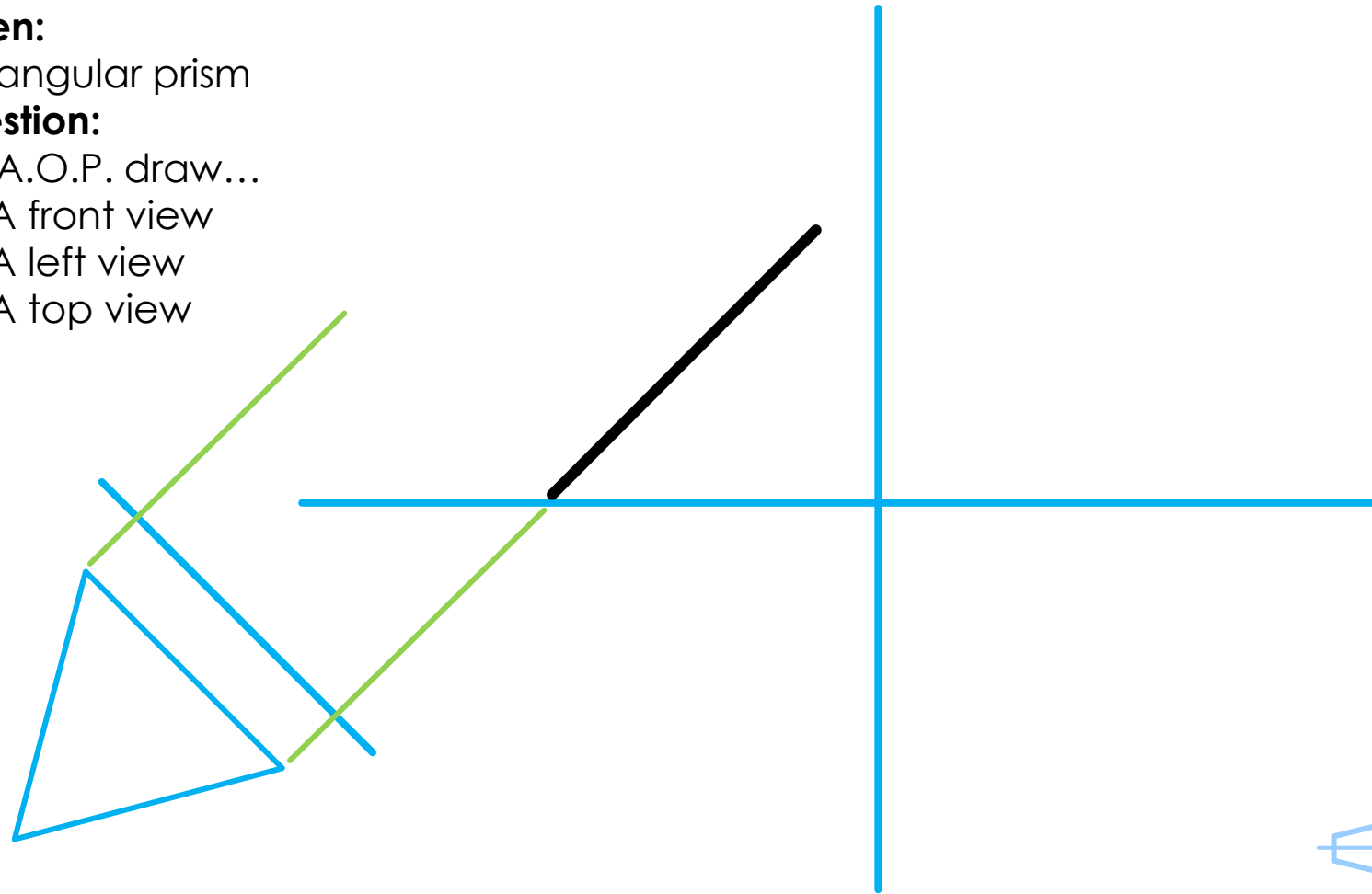
**Given:**

A triangular prism

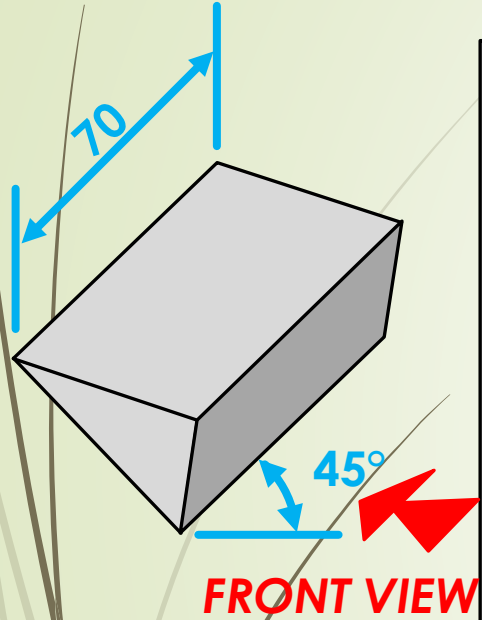
**Question:**

In F.A.O.P. draw...

1. A front view
2. A left view
3. A top view



# Application on pyramids and prisms



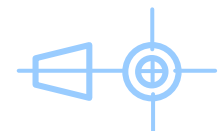
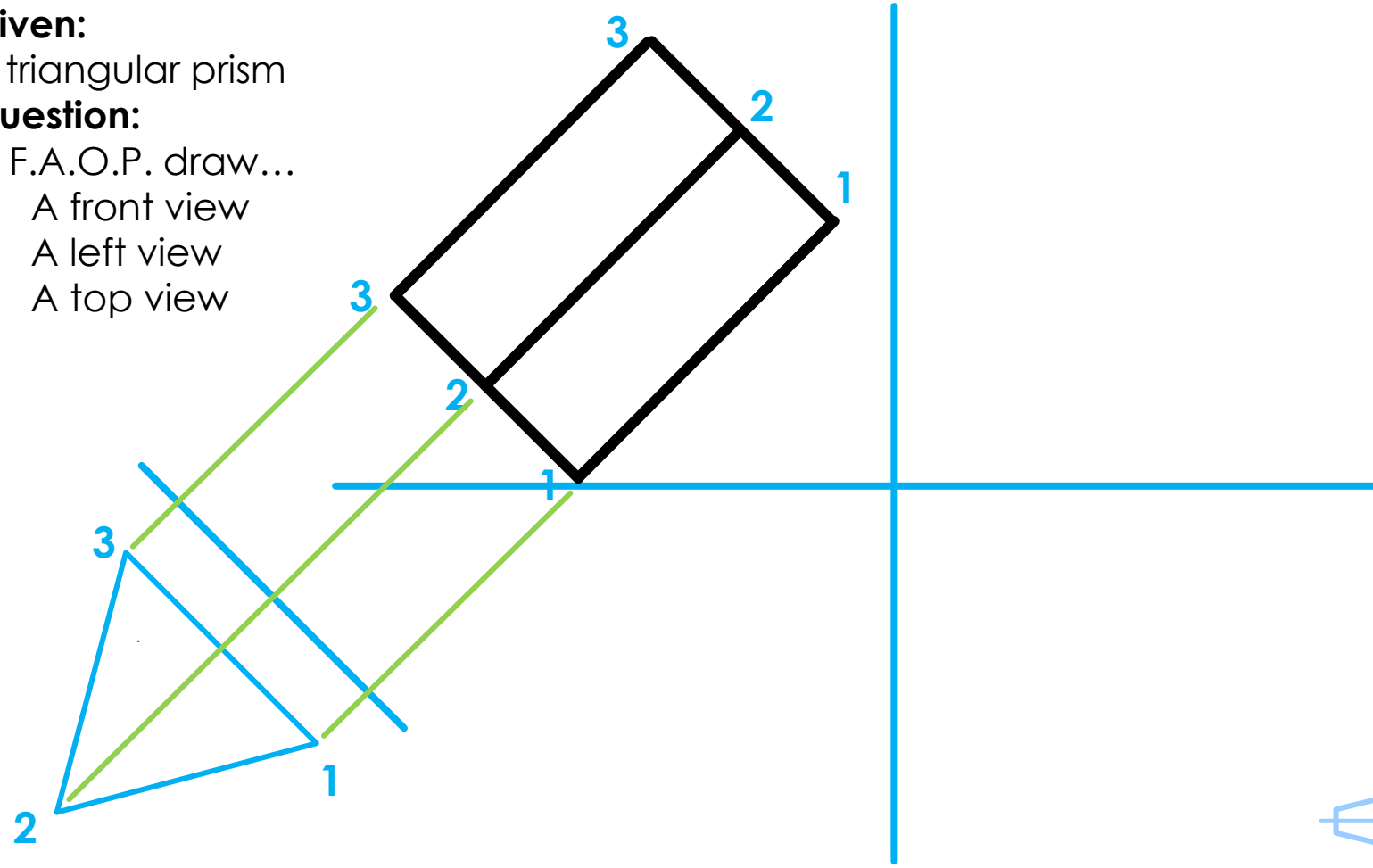
**Given:**

A triangular prism

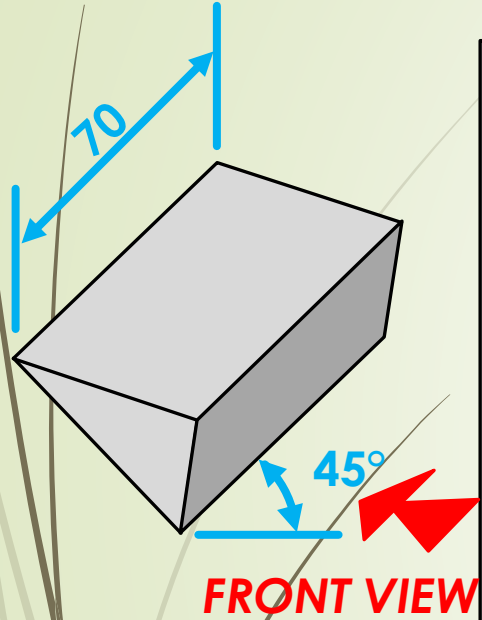
**Question:**

In F.A.O.P. draw...

1. A front view
2. A left view
3. A top view



# Application on pyramids and prisms



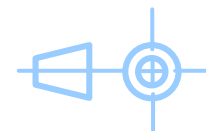
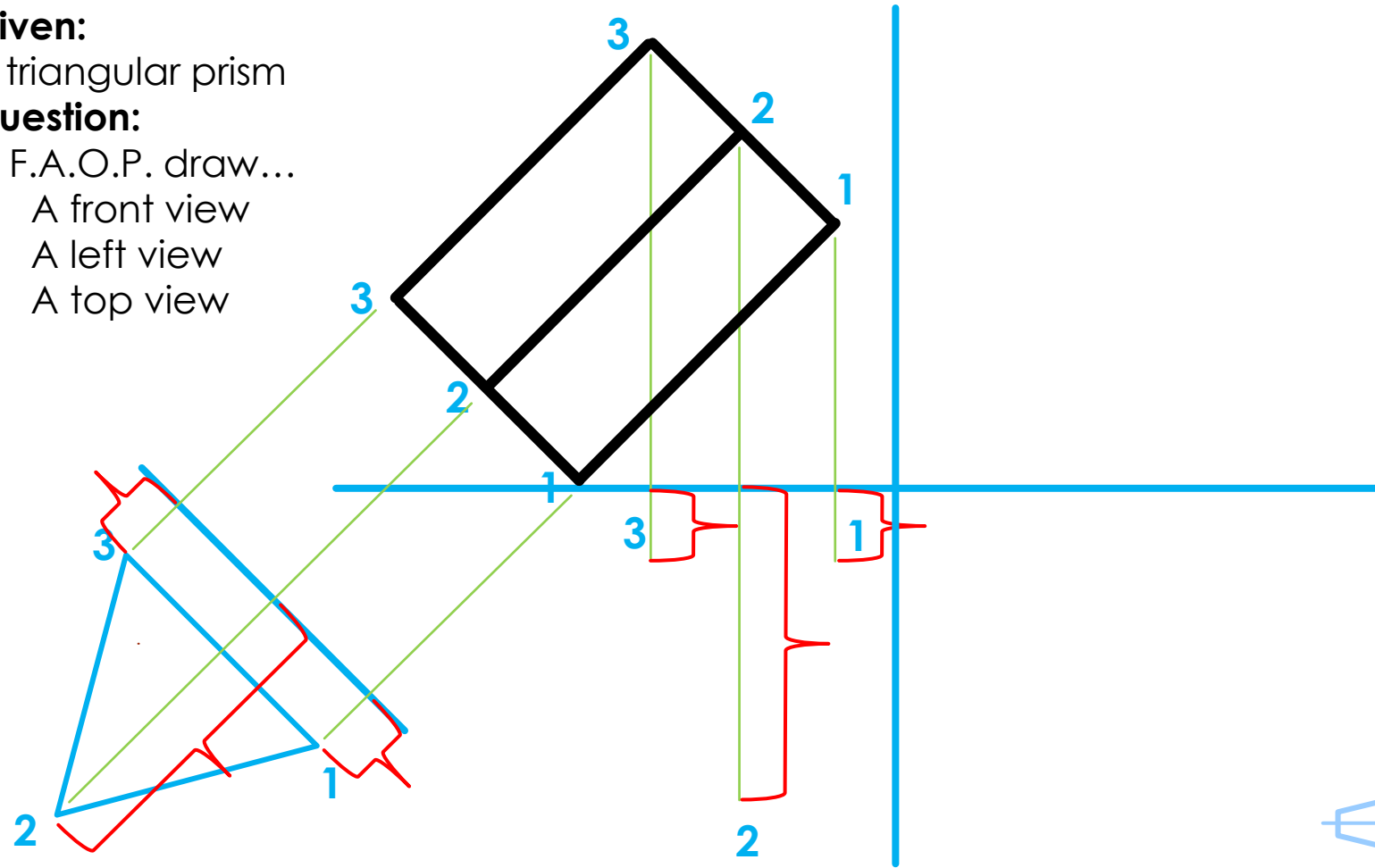
**Given:**

A triangular prism

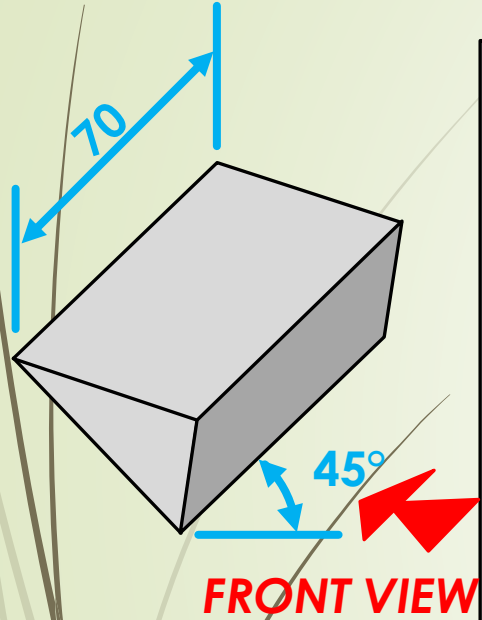
**Question:**

In F.A.O.P. draw...

1. A front view
2. A left view
3. A top view



# Application on pyramids and prisms



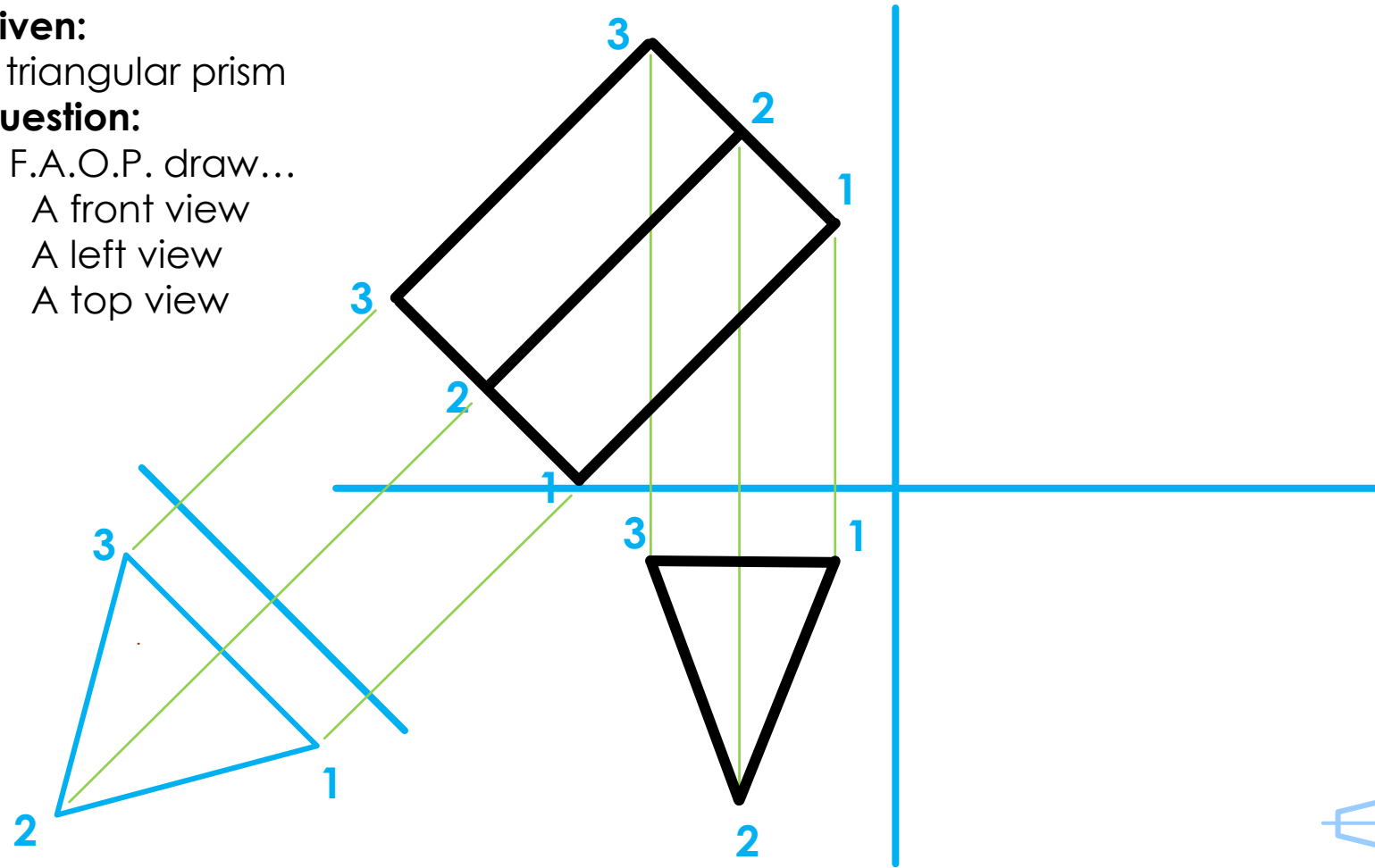
**Given:**

A triangular prism

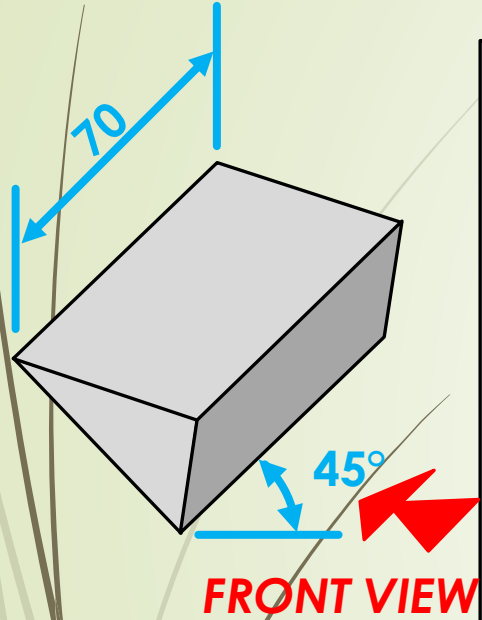
**Question:**

In F.A.O.P. draw...

1. A front view
2. A left view
3. A top view



# Application on pyramids and prisms



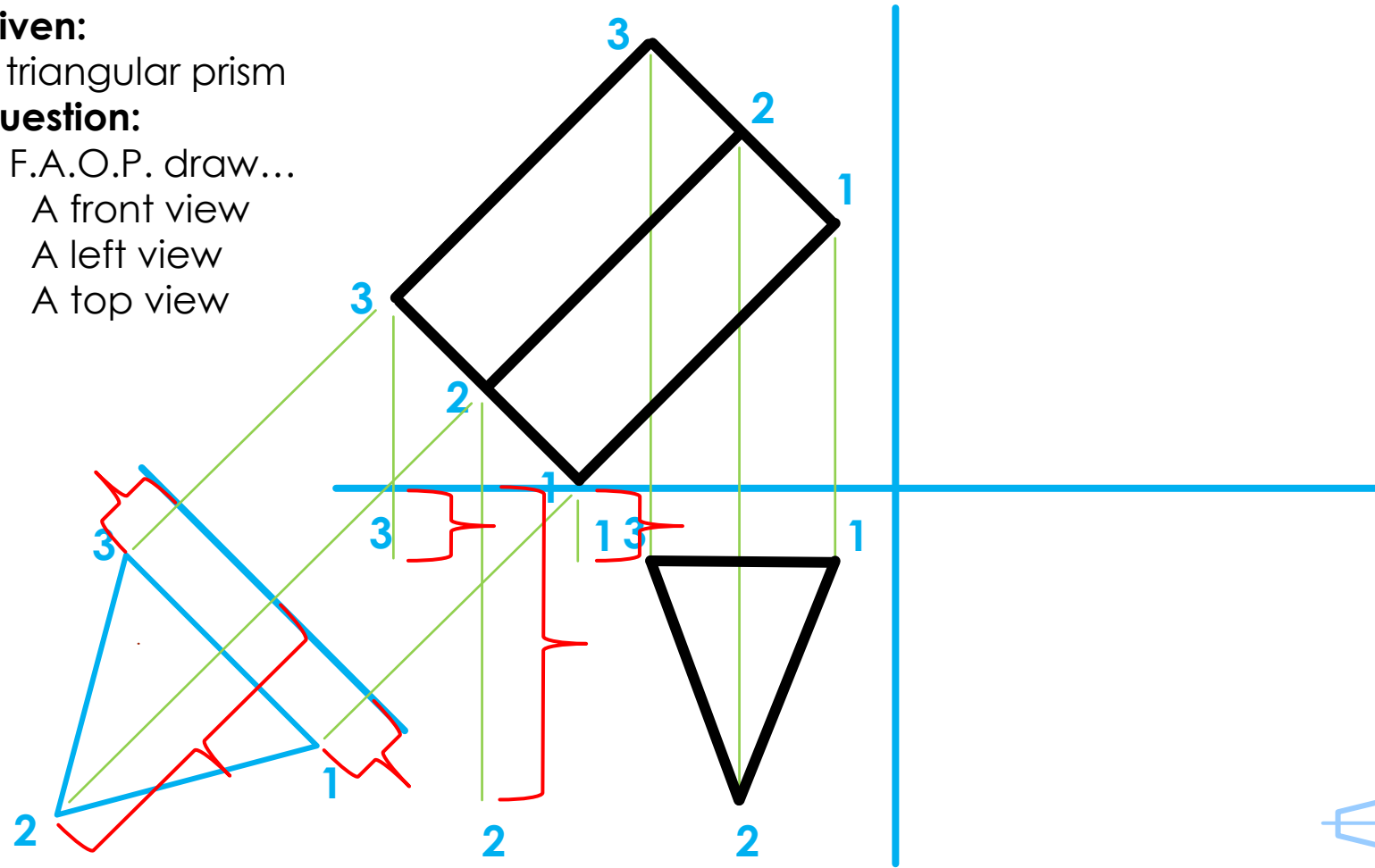
**Given:**

A triangular prism

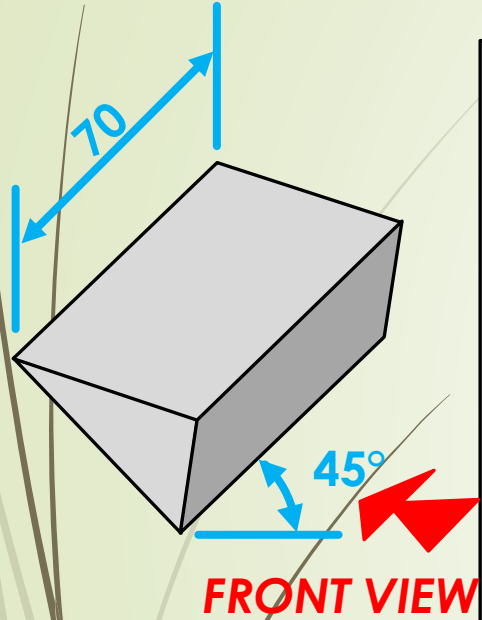
**Question:**

In F.A.O.P. draw...

1. A front view
2. A left view
3. A top view



# Application on pyramids and prisms



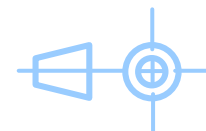
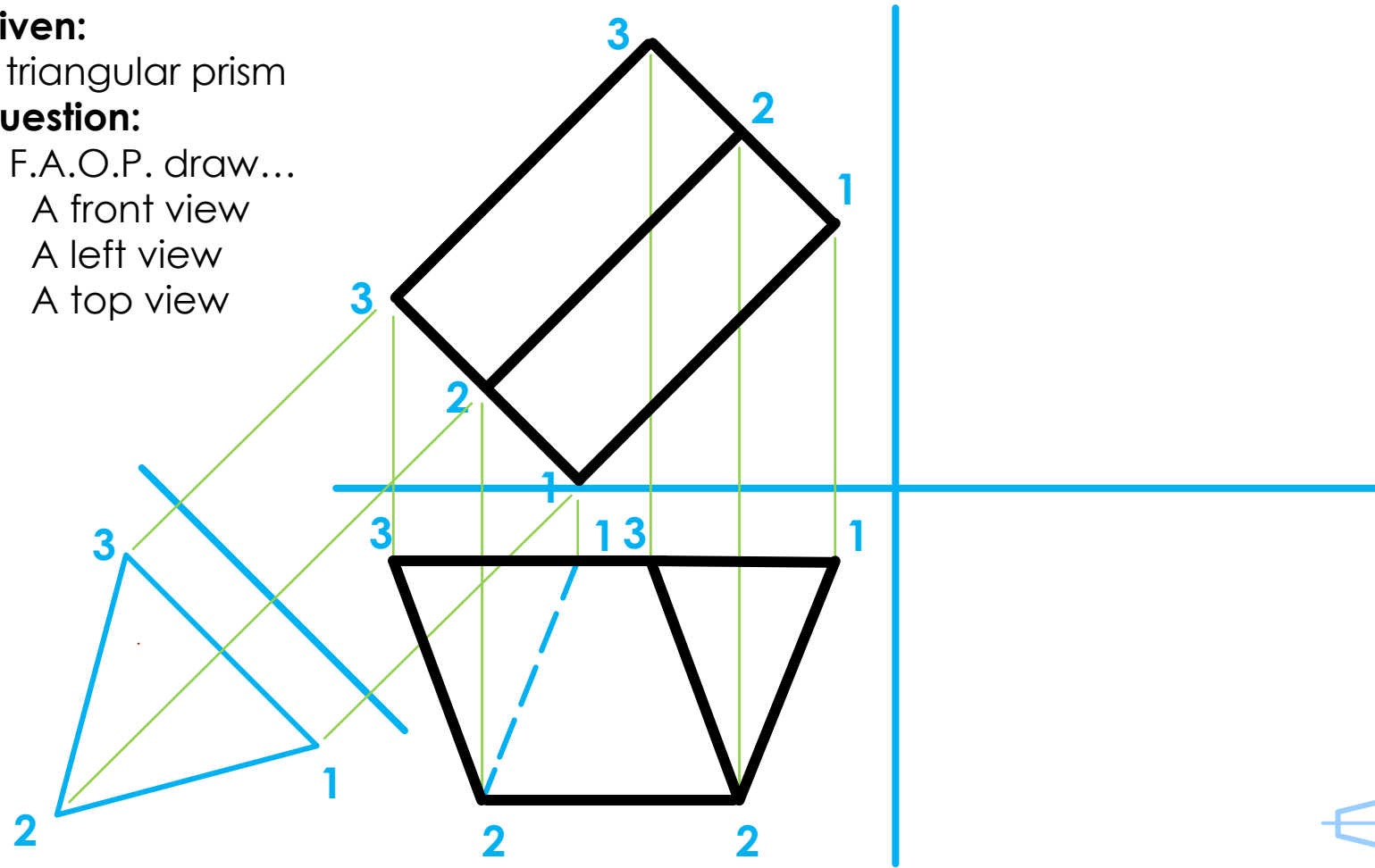
**Given:**

A triangular prism

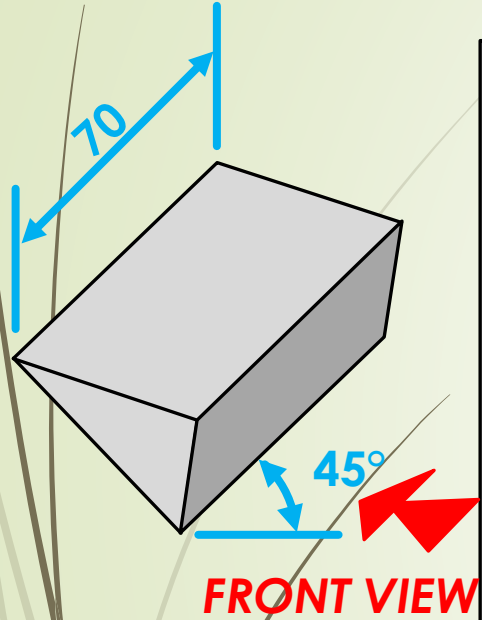
**Question:**

In F.A.O.P. draw...

1. A front view
2. A left view
3. A top view



# Application on pyramids and prisms



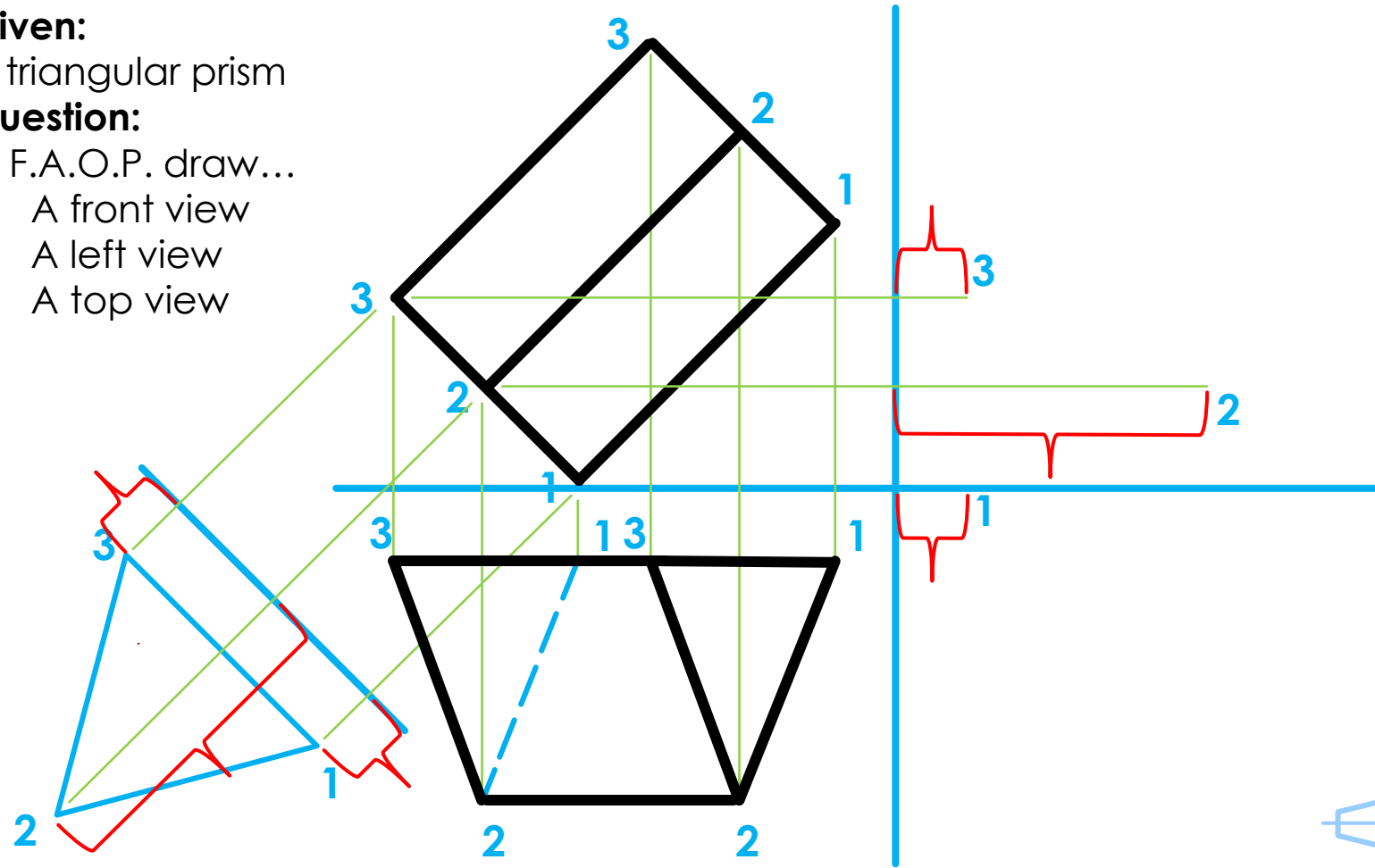
**Given:**

A triangular prism

**Question:**

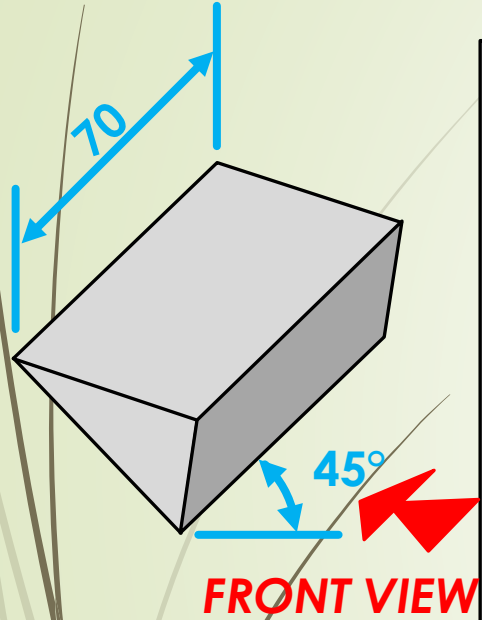
In F.A.O.P. draw...

1. A front view
2. A left view
3. A top view





# Application on pyramids and prisms



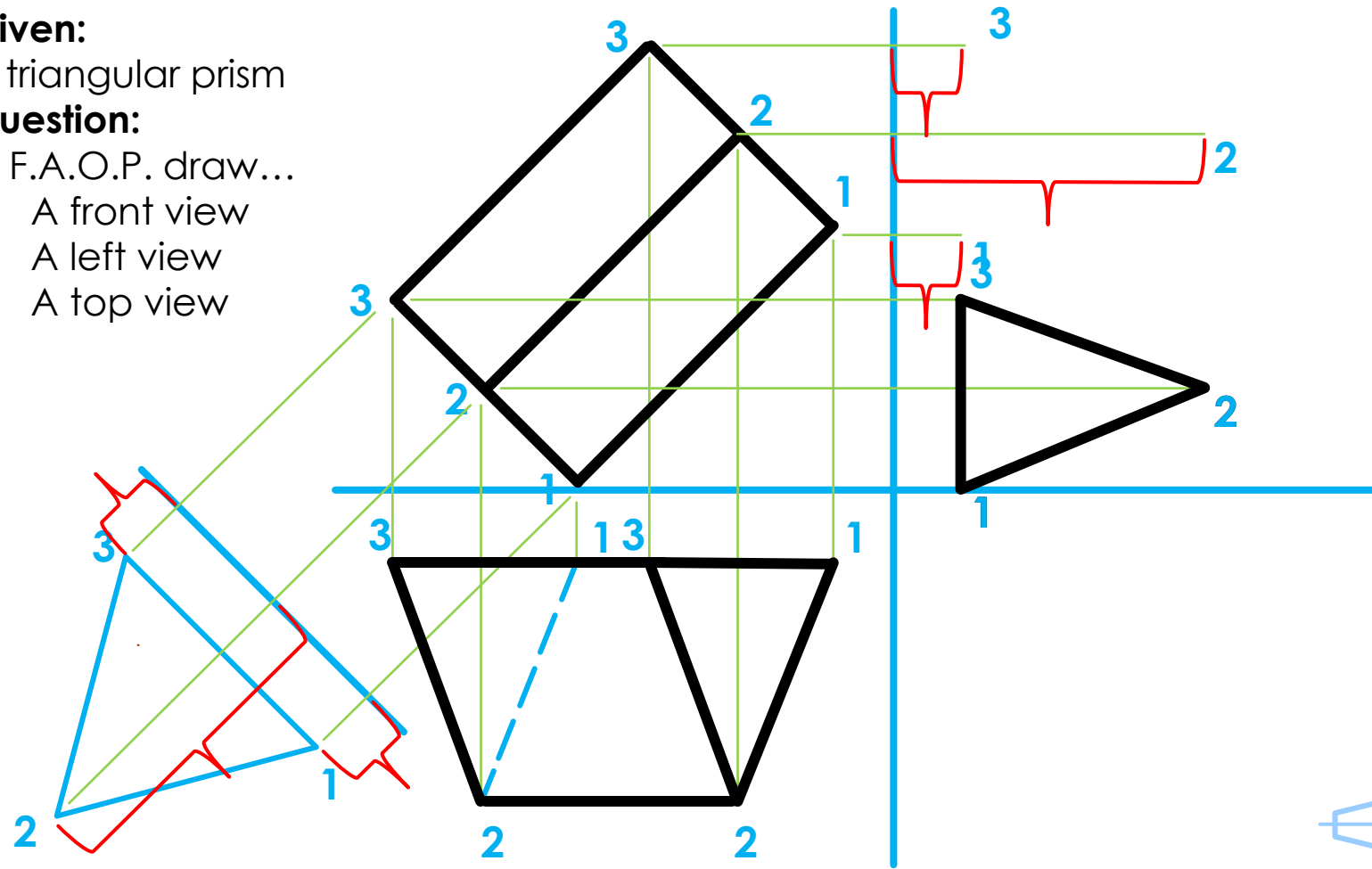
**Given:**

A triangular prism

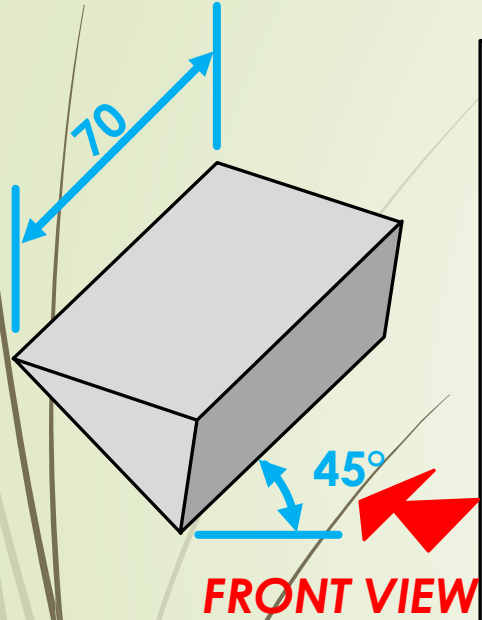
**Question:**

In F.A.O.P. draw...

1. A front view
2. A left view
3. A top view



# Application on pyramids and prisms



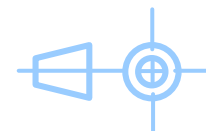
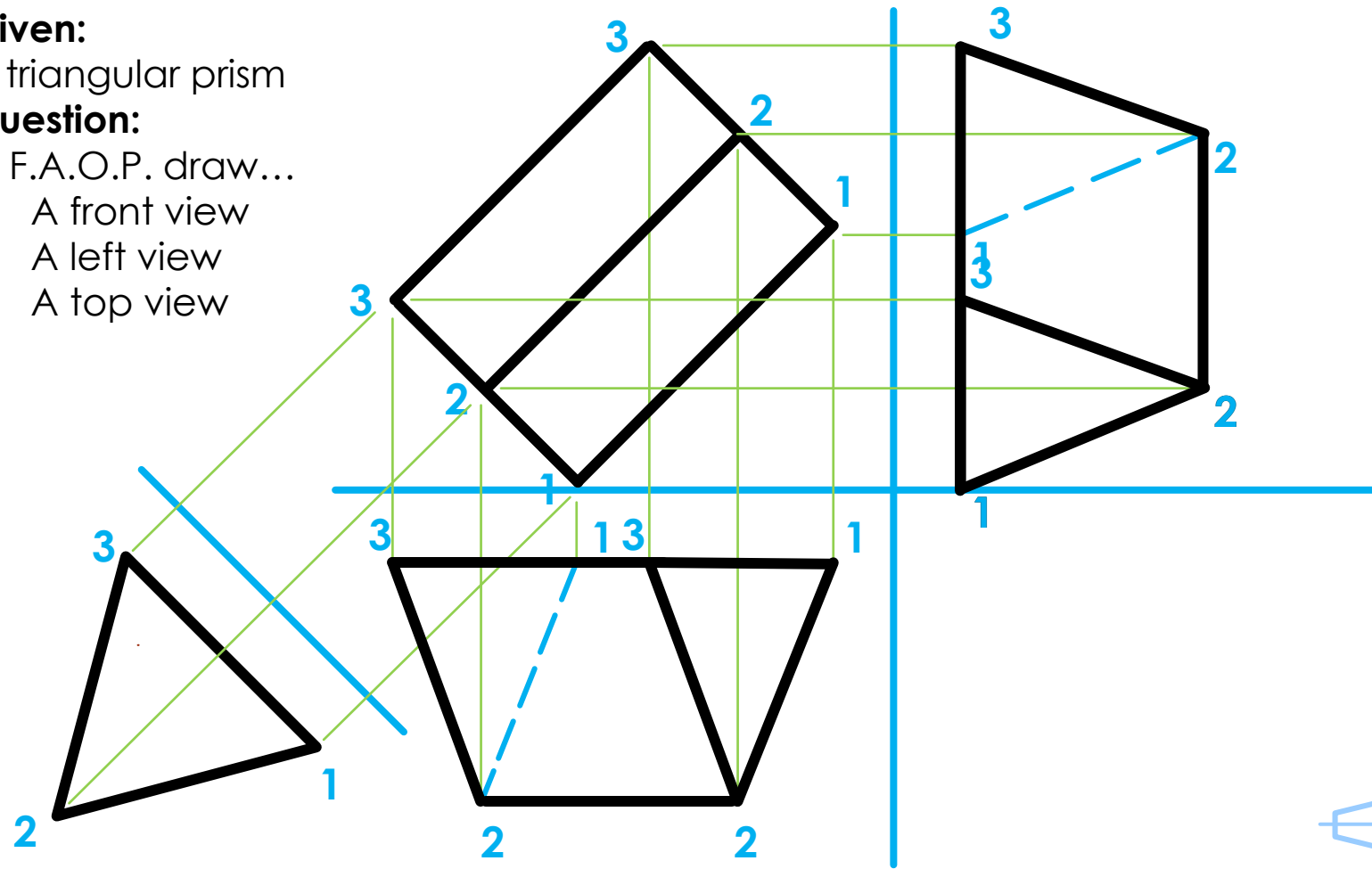
**Given:**

A triangular prism

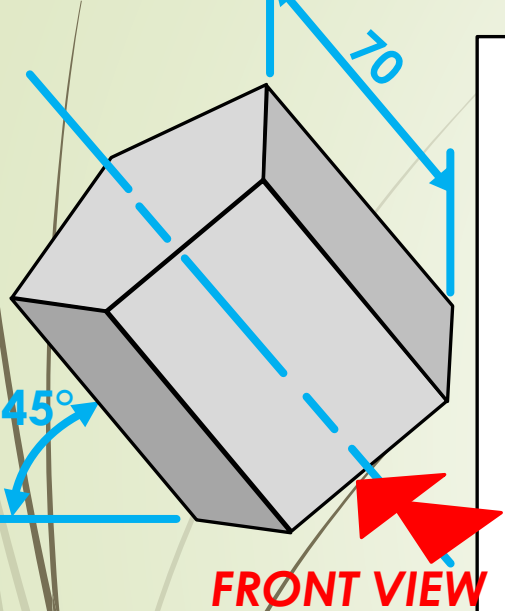
**Question:**

In F.A.O.P. draw...

1. A front view
2. A left view
3. A top view



# Application on pyramids and prisms



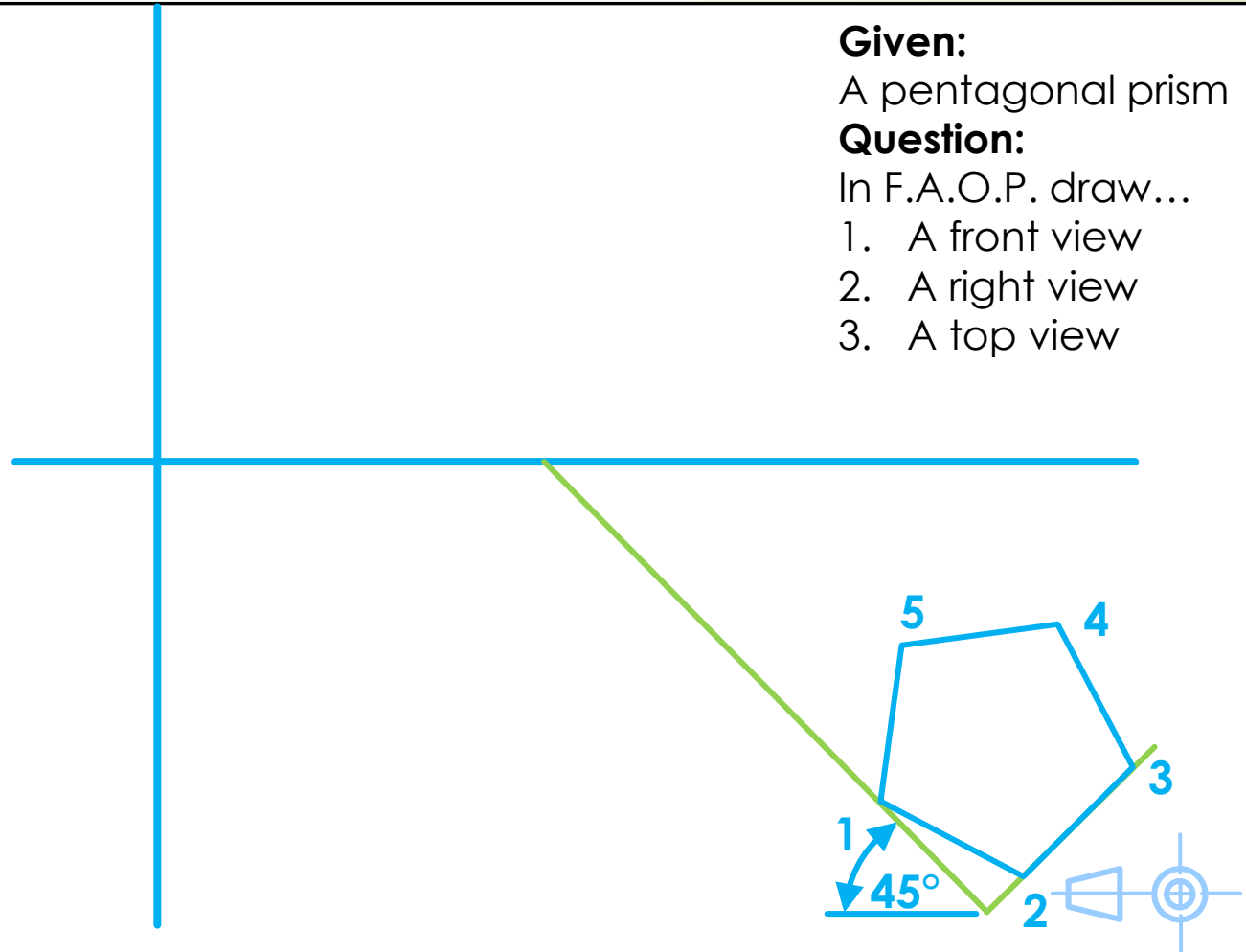
**Given:**

A pentagonal prism

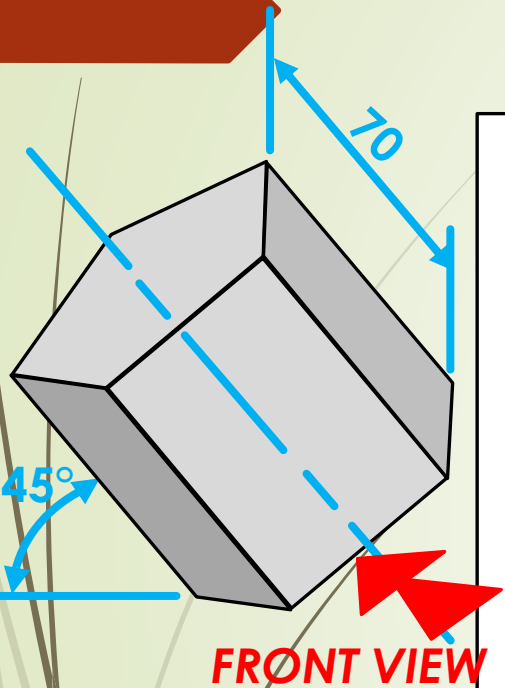
**Question:**

In F.A.O.P. draw...

1. A front view
2. A right view
3. A top view



# Application on pyramids and prisms



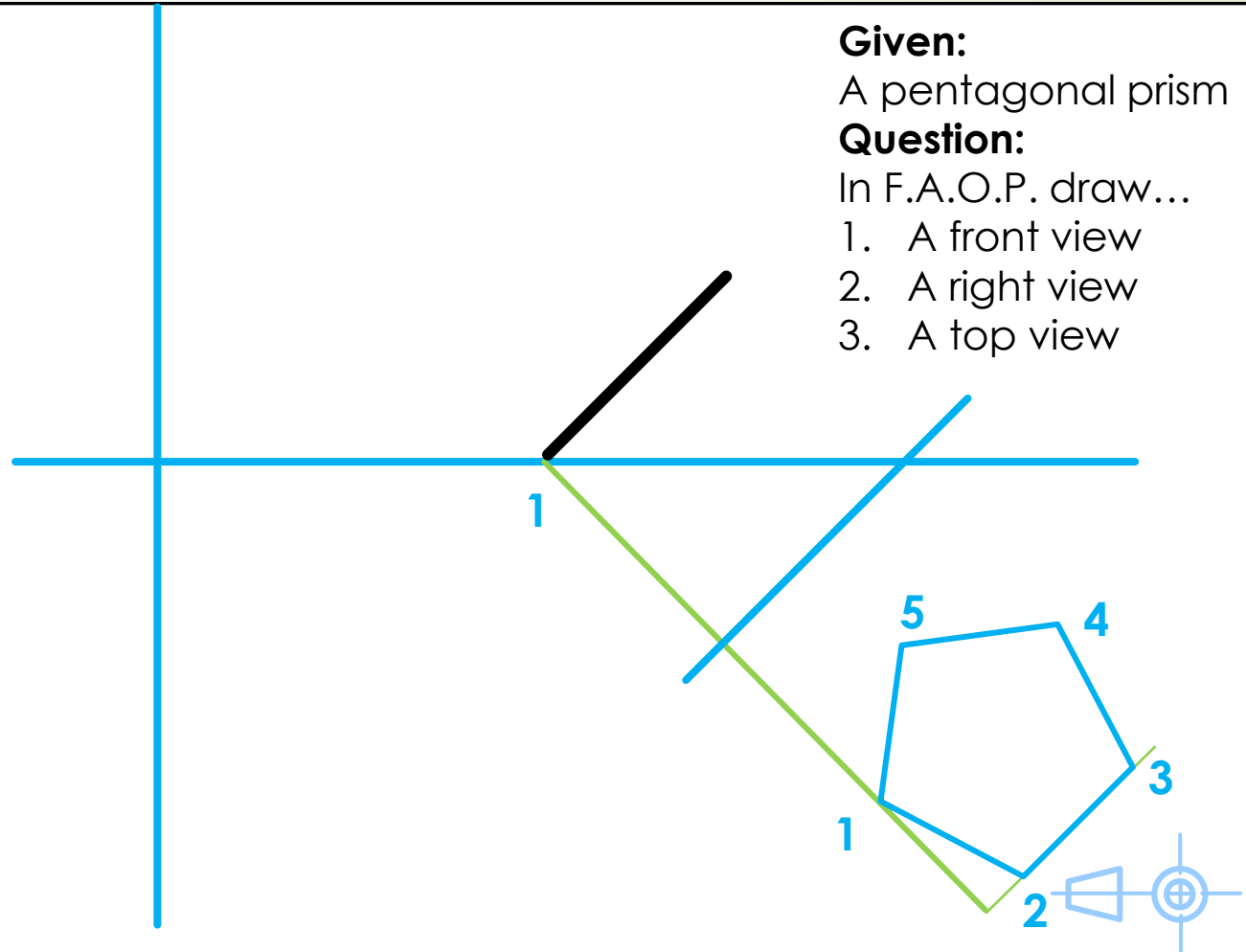
**Given:**

A pentagonal prism

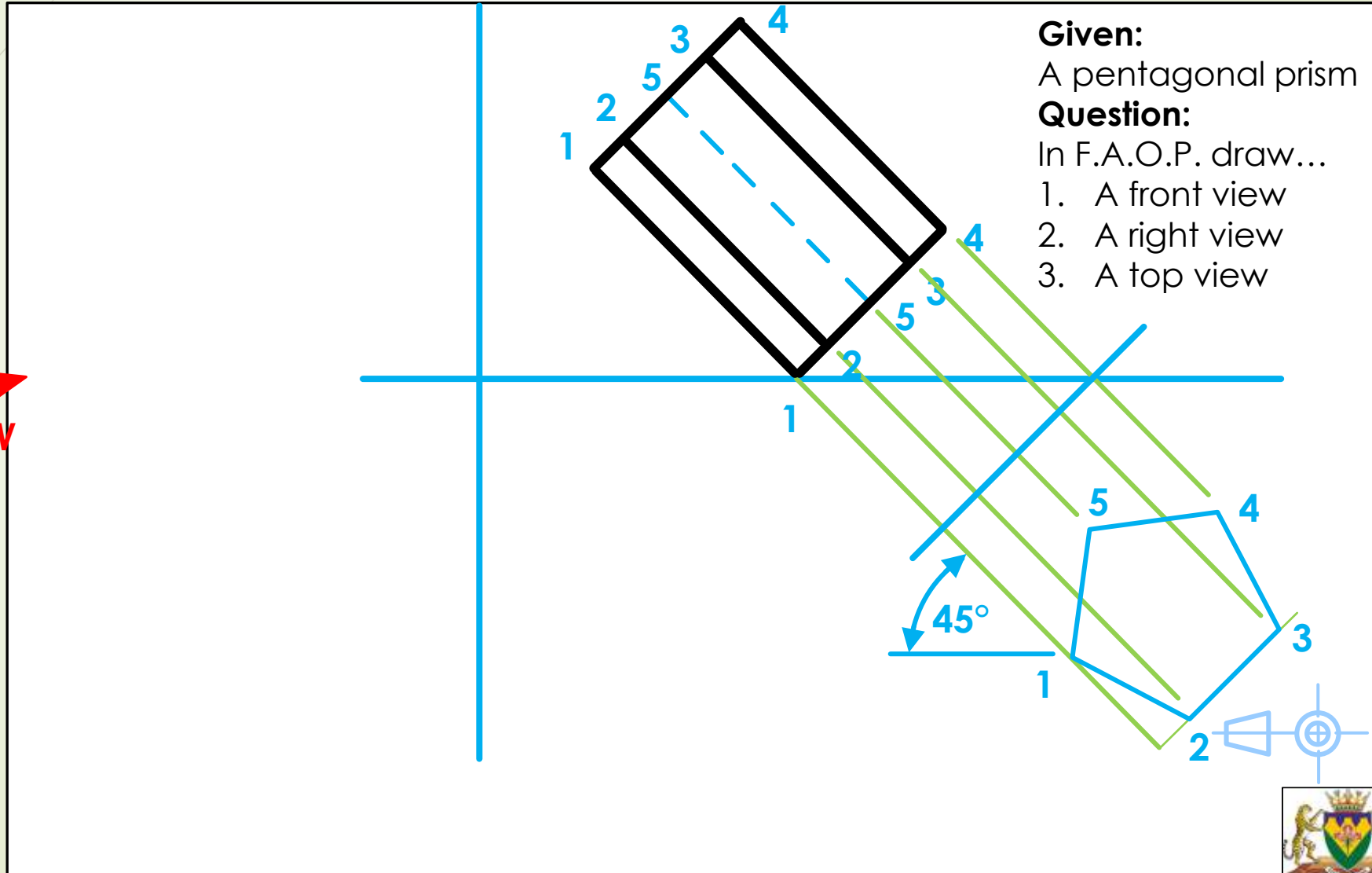
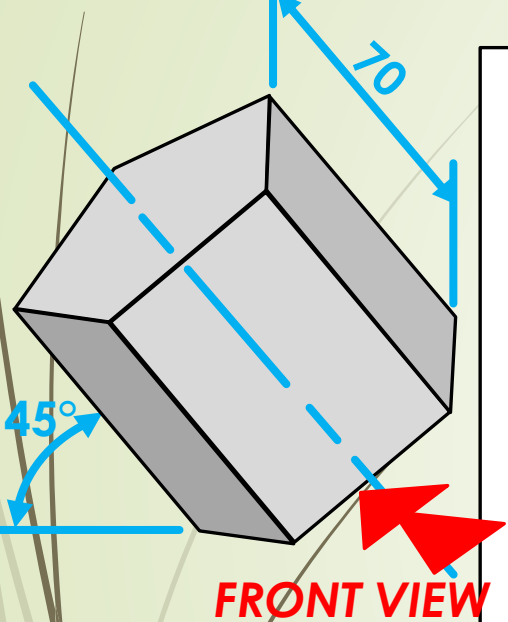
**Question:**

In F.A.O.P. draw...

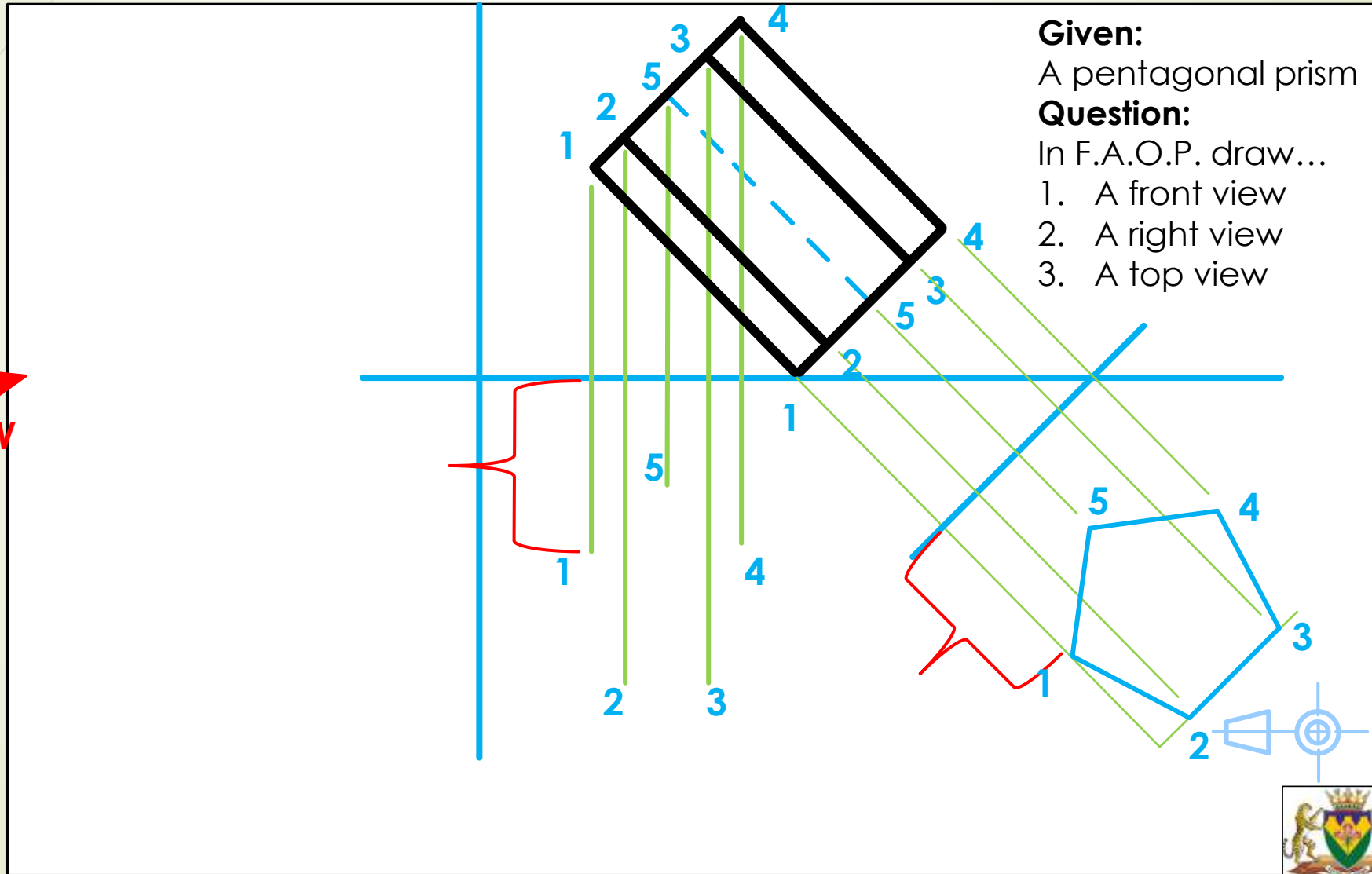
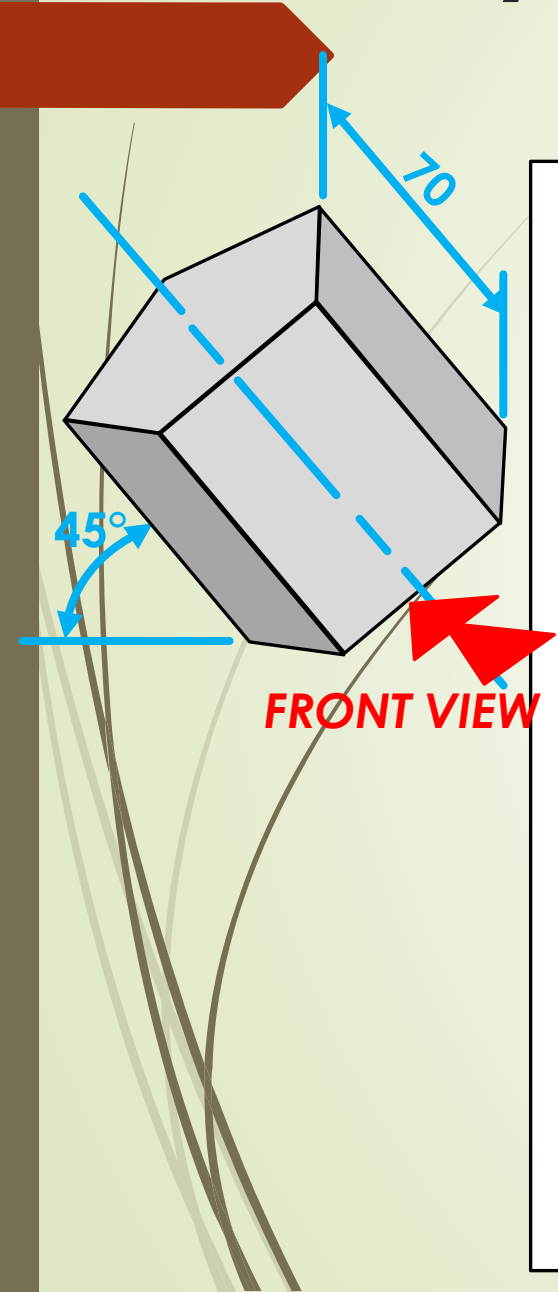
1. A front view
2. A right view
3. A top view



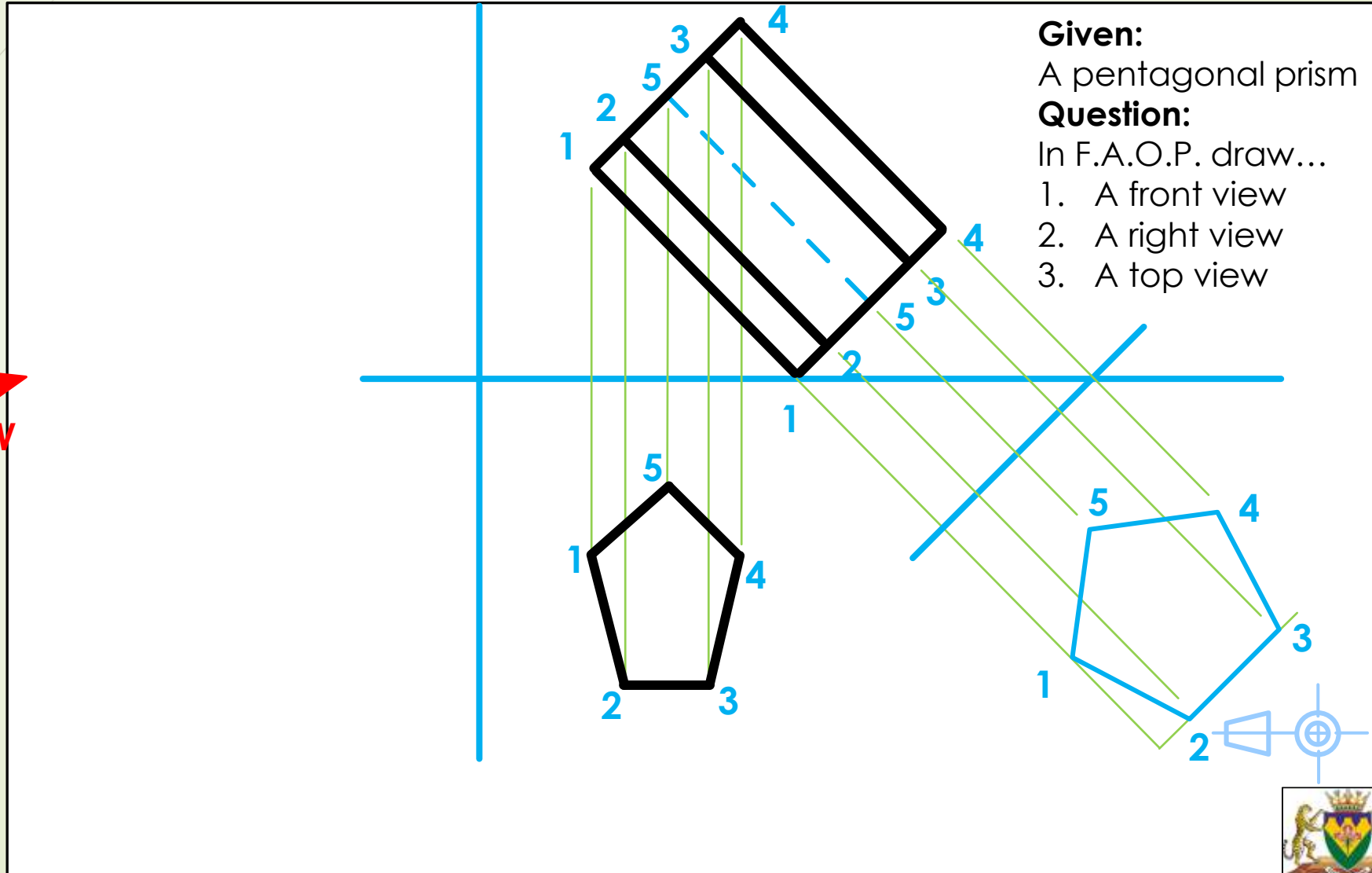
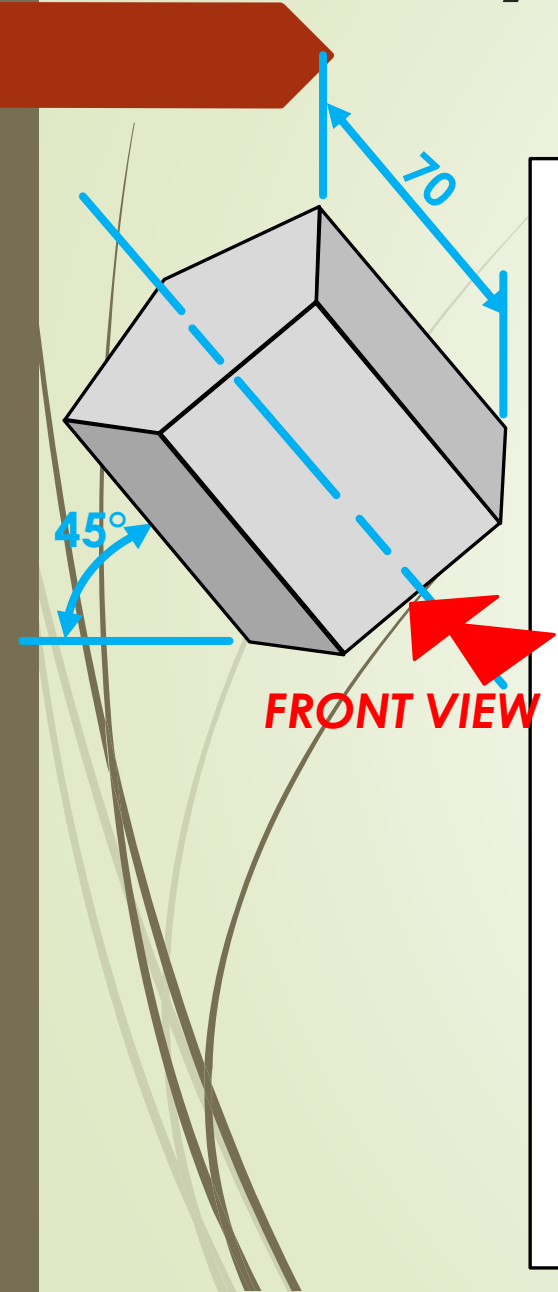
# Application on pyramids and prisms



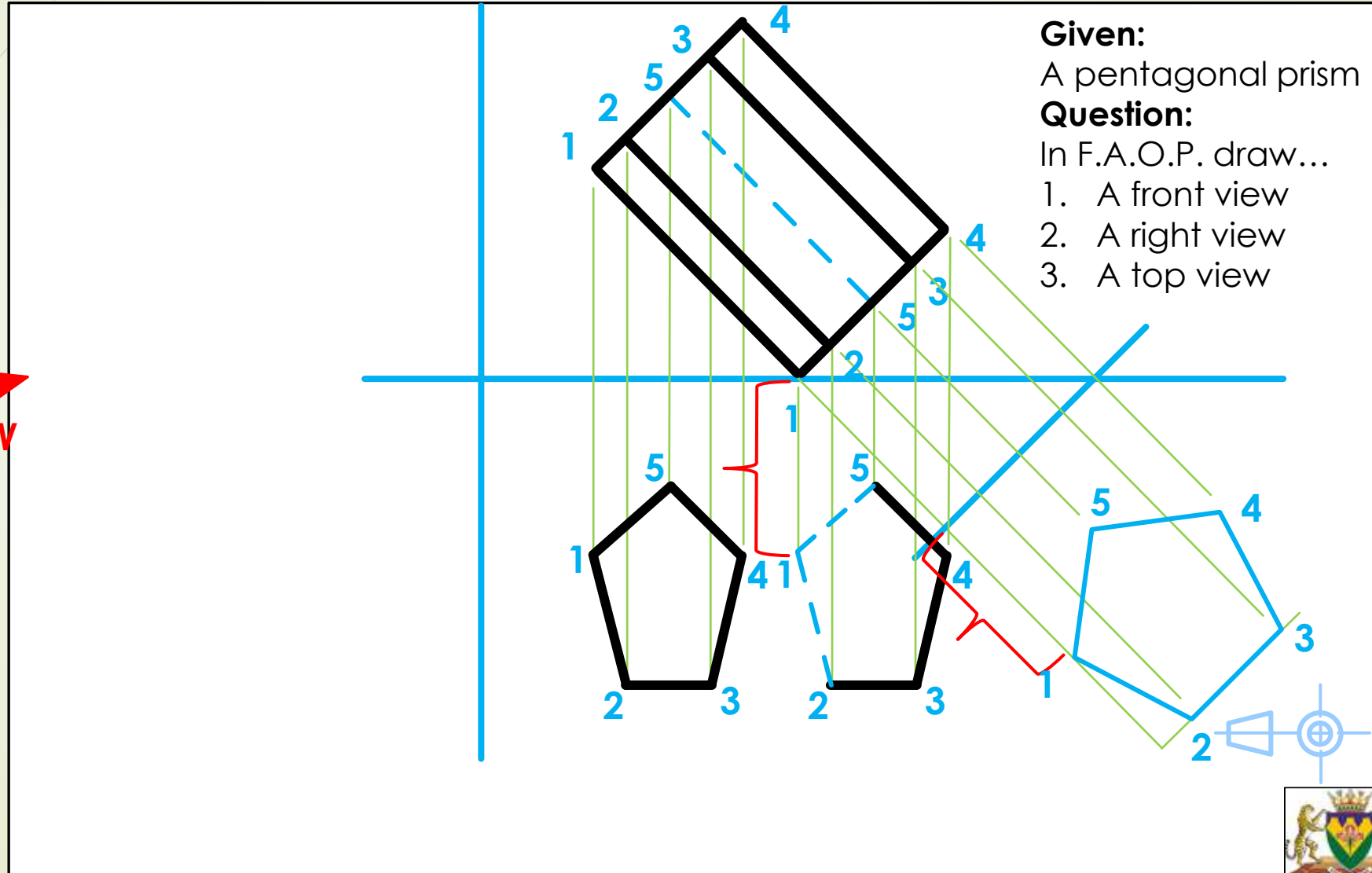
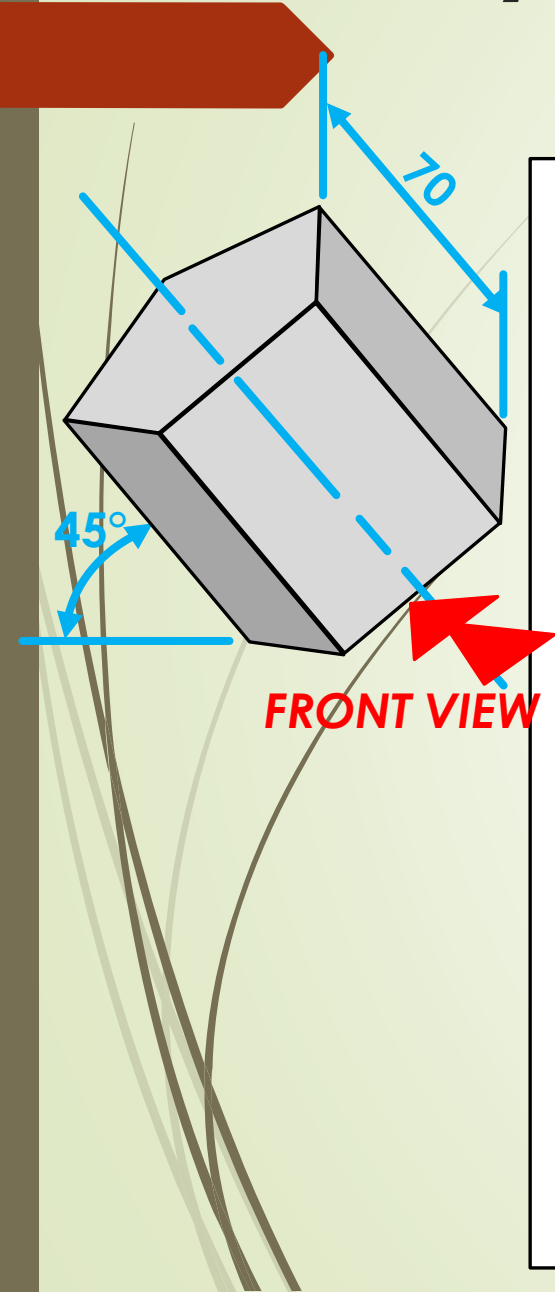
# Application on pyramids and prisms



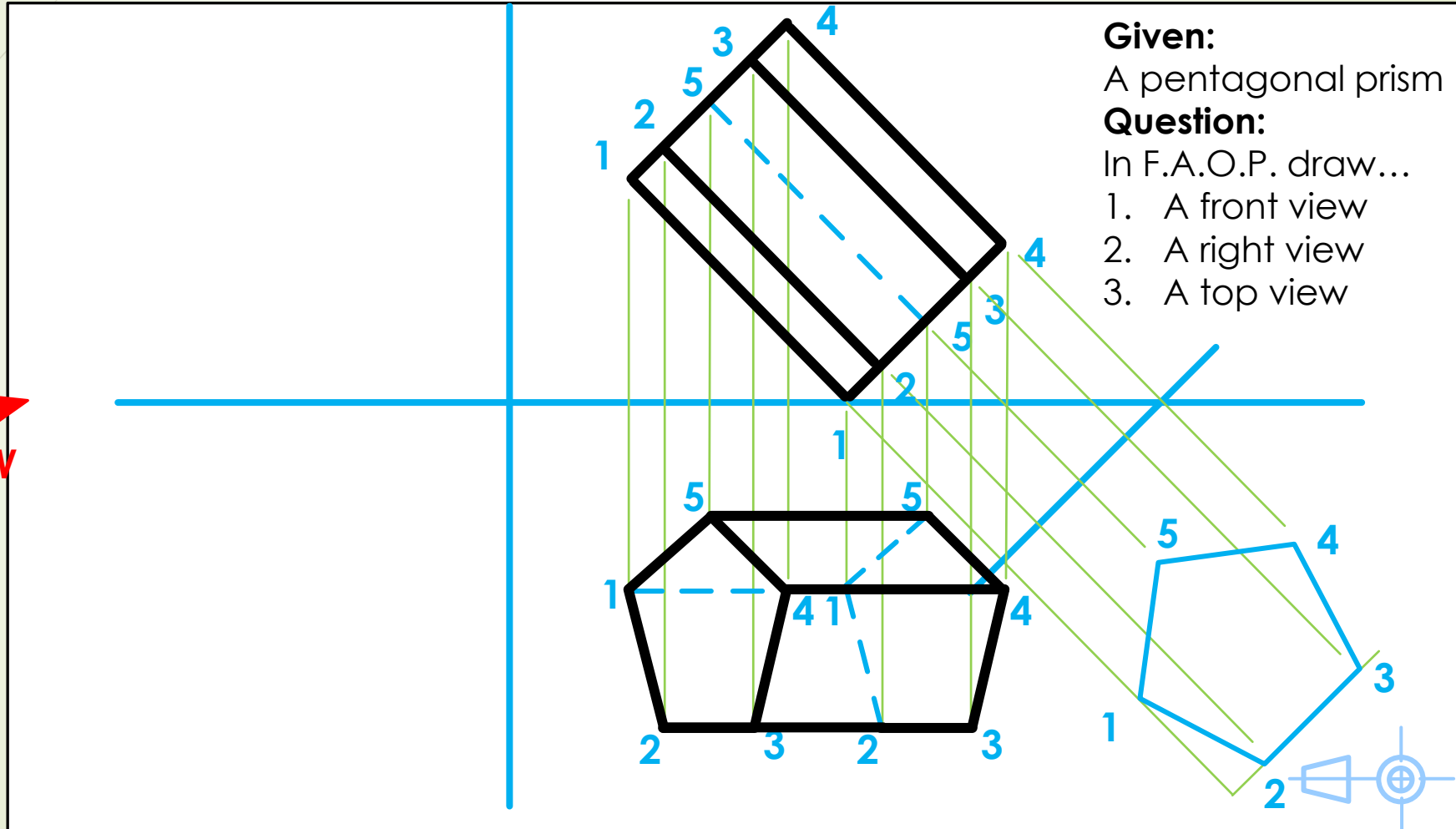
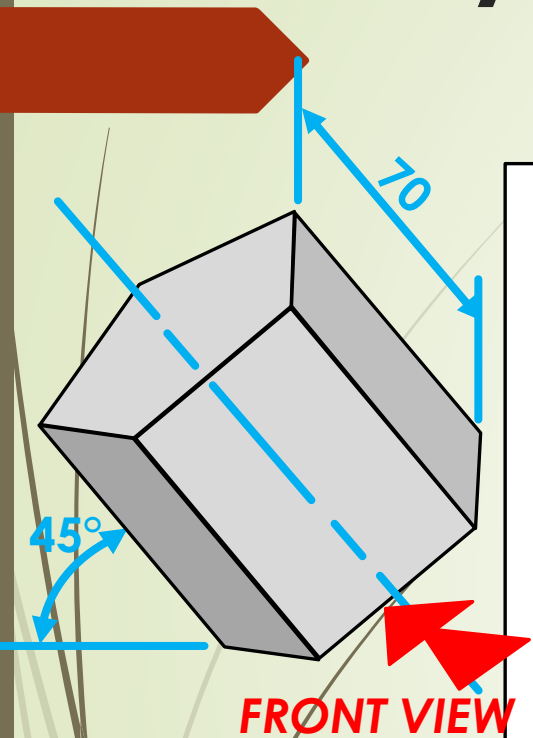
# Application on pyramids and prisms



# Application on pyramids and prisms



# Application on pyramids and prisms



**Given:**

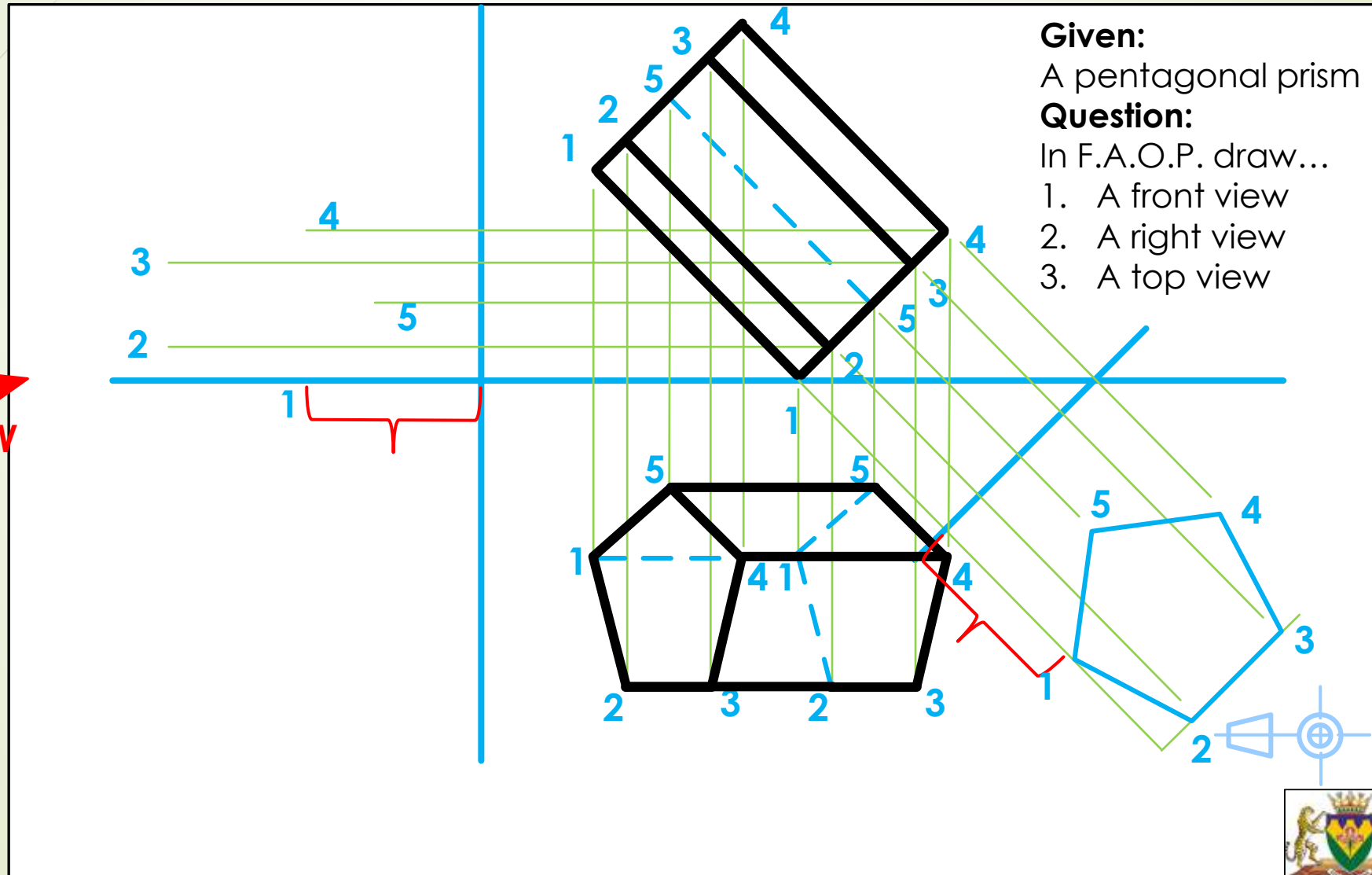
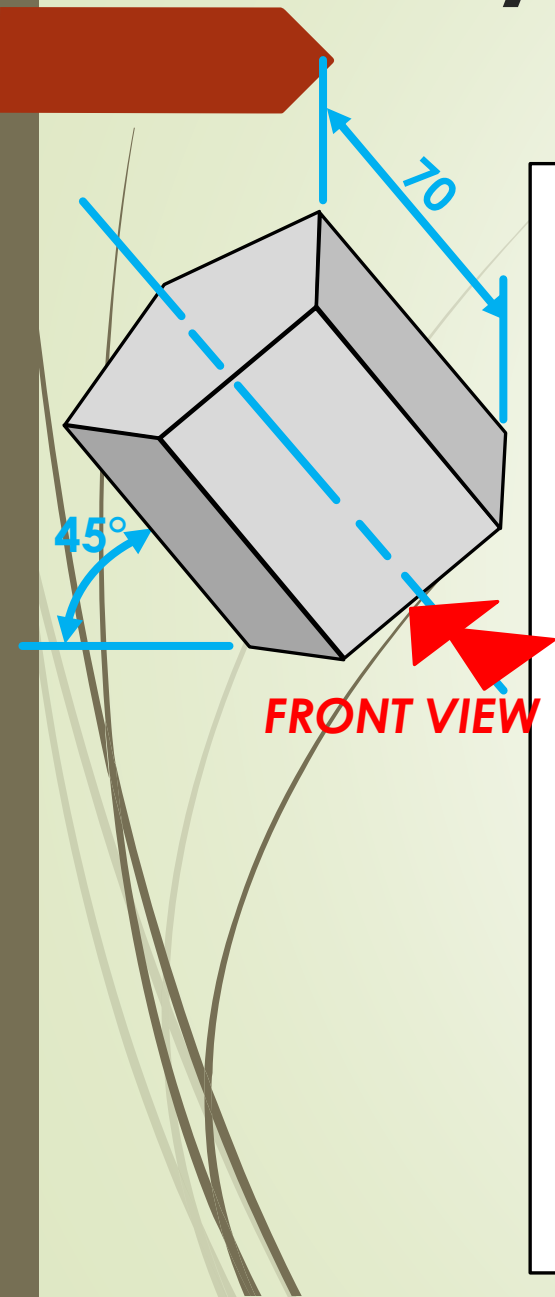
A pentagonal prism

**Question:**

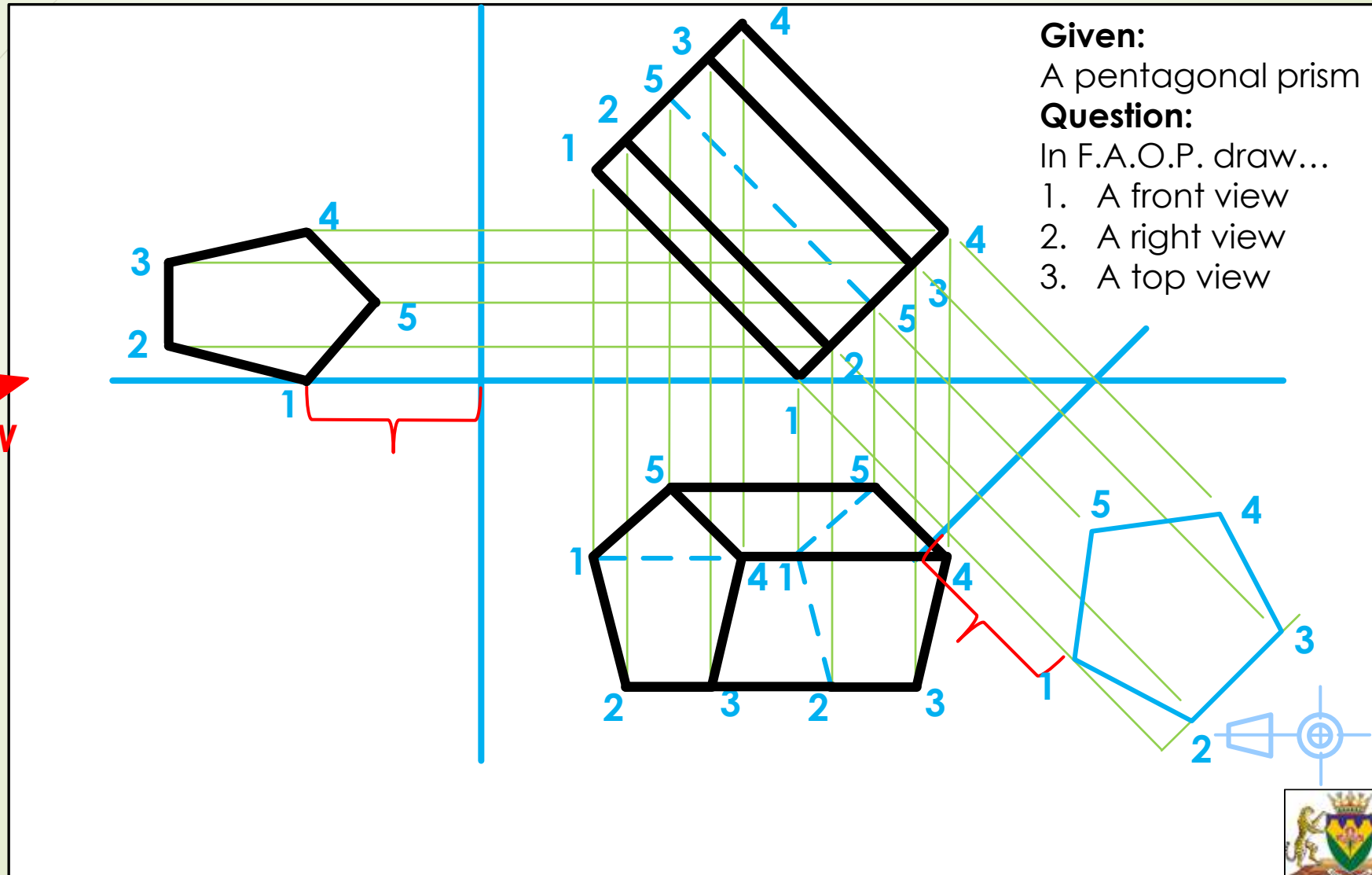
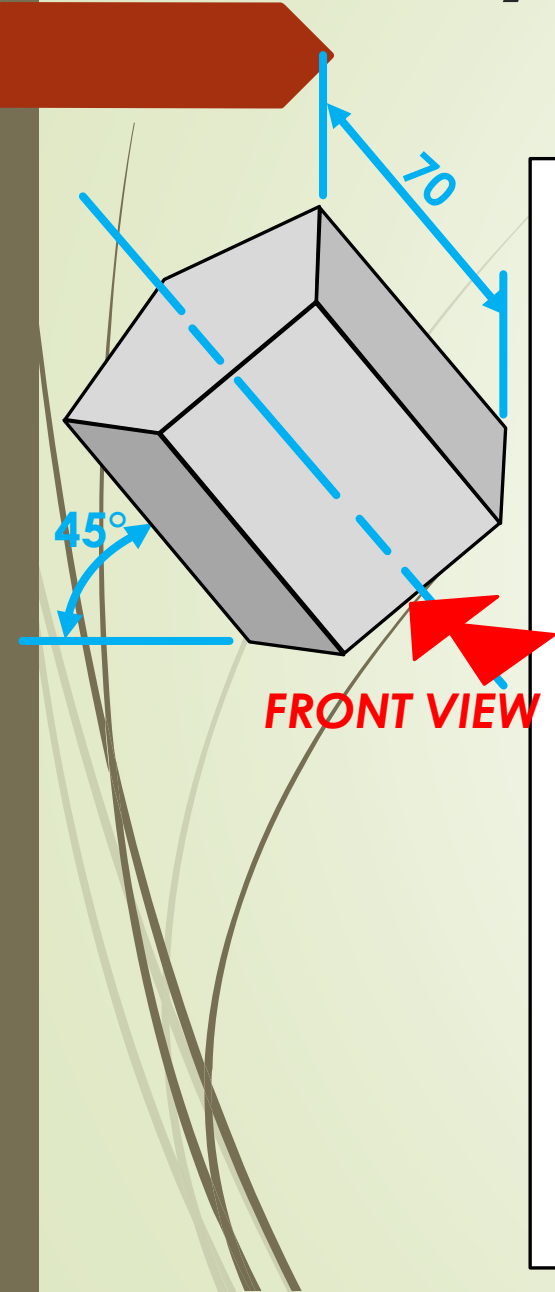
In F.A.O.P. draw...

1. A front view
2. A right view
3. A top view

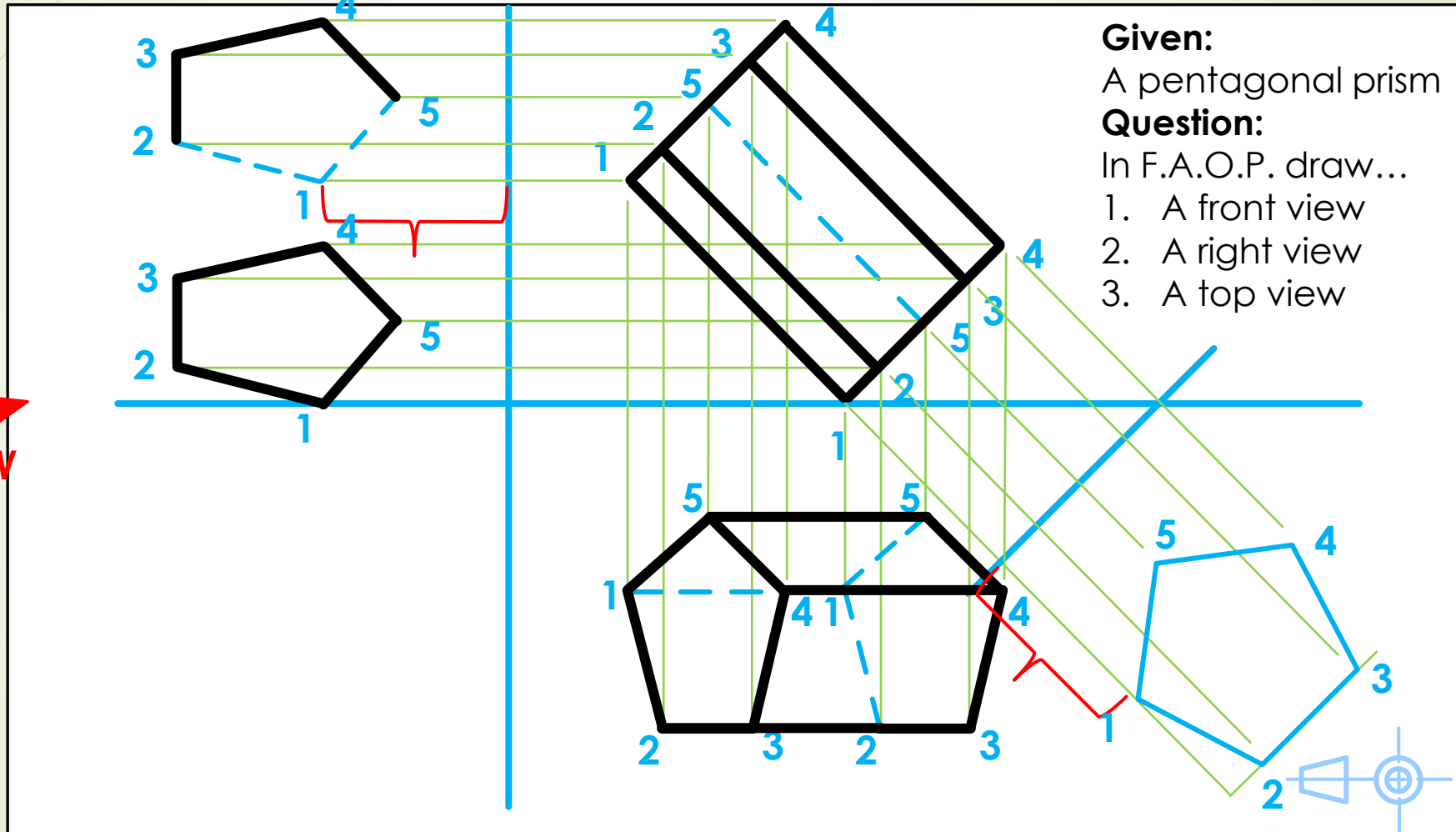
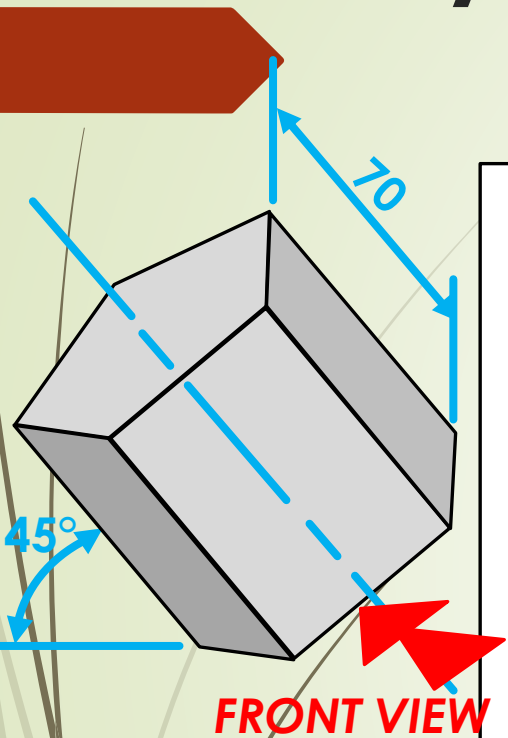
# Application on pyramids and prisms



# Application on pyramids and prisms



# Application on pyramids and prisms



# Application on pyramids and prisms

