



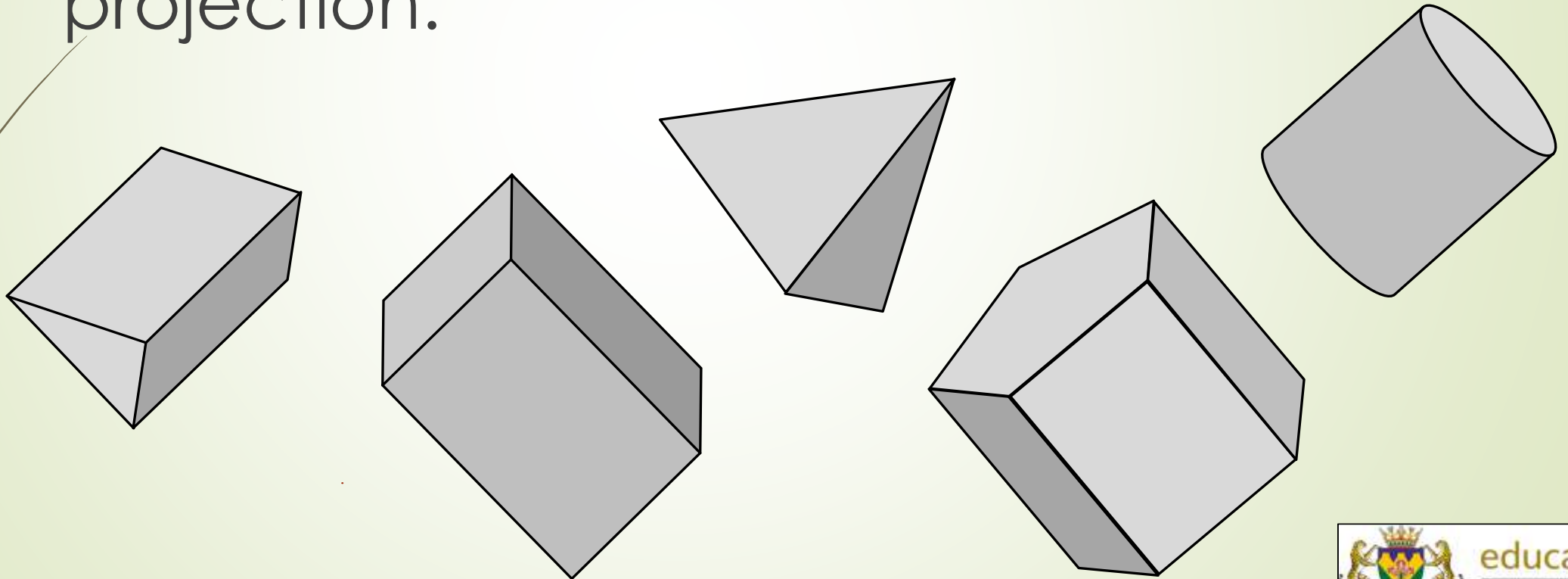
Application on polygons Inclined Axis (Cylinders & Cones)

Grade 10, 11 & 12

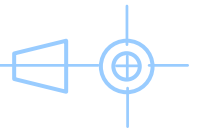
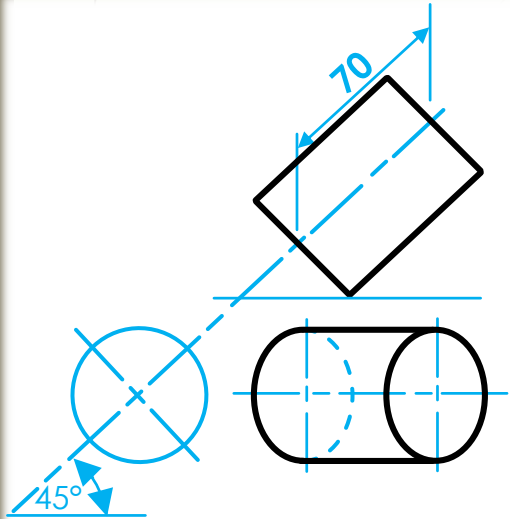
Developed by: PC Viljoen
Senior Educational Specialist for
Engineering Graphics and Design
Free State Province

Application on cylinders and cones

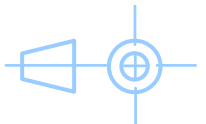
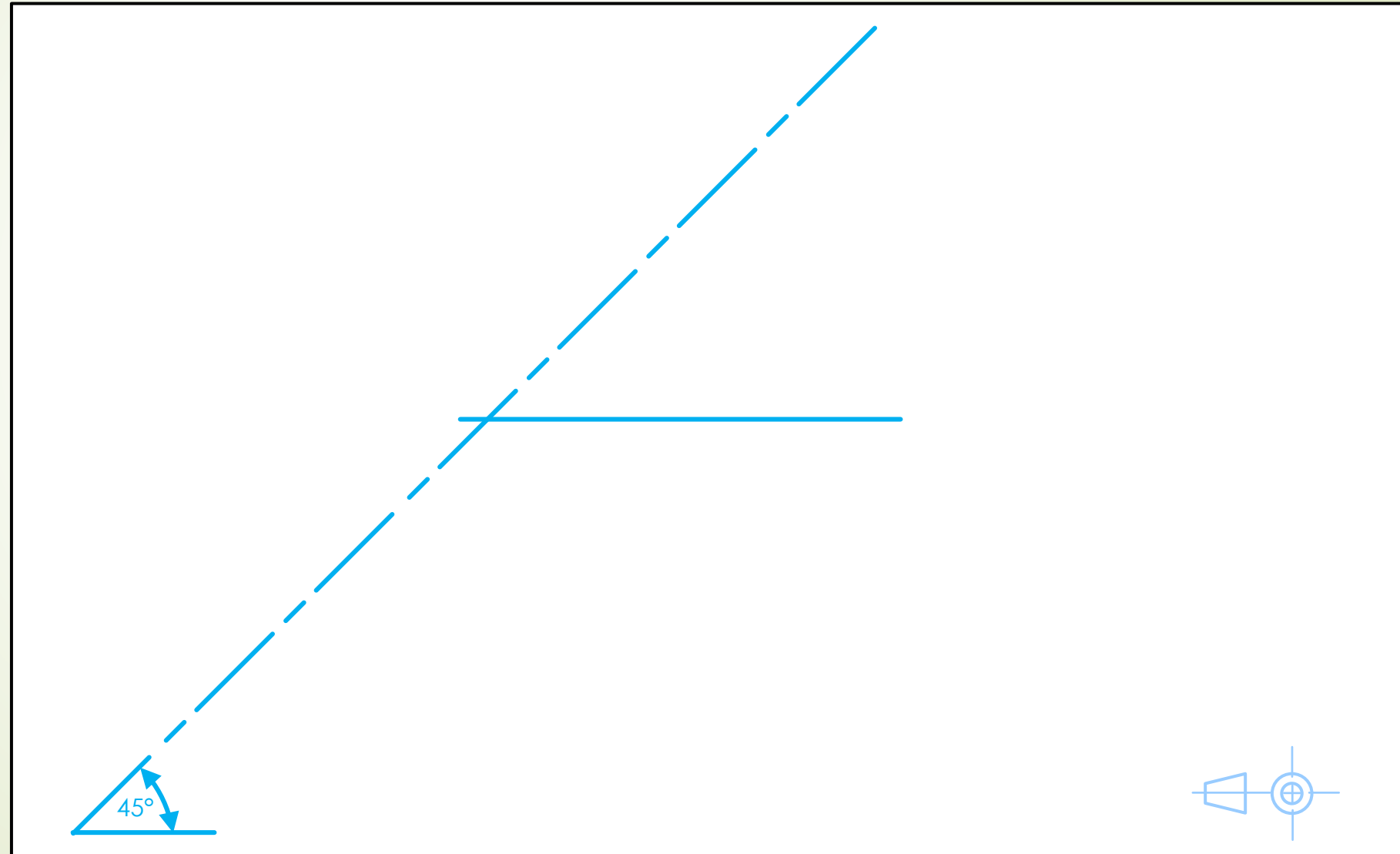
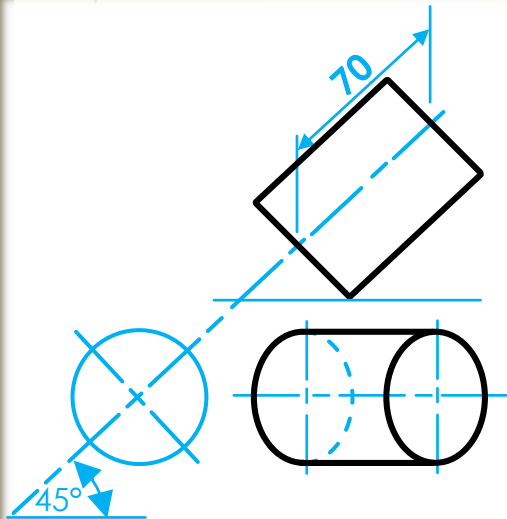
- ➔ Draw inclined pyramids, prisms, cones and cylinders in first angle orthographic projection.



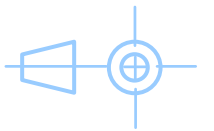
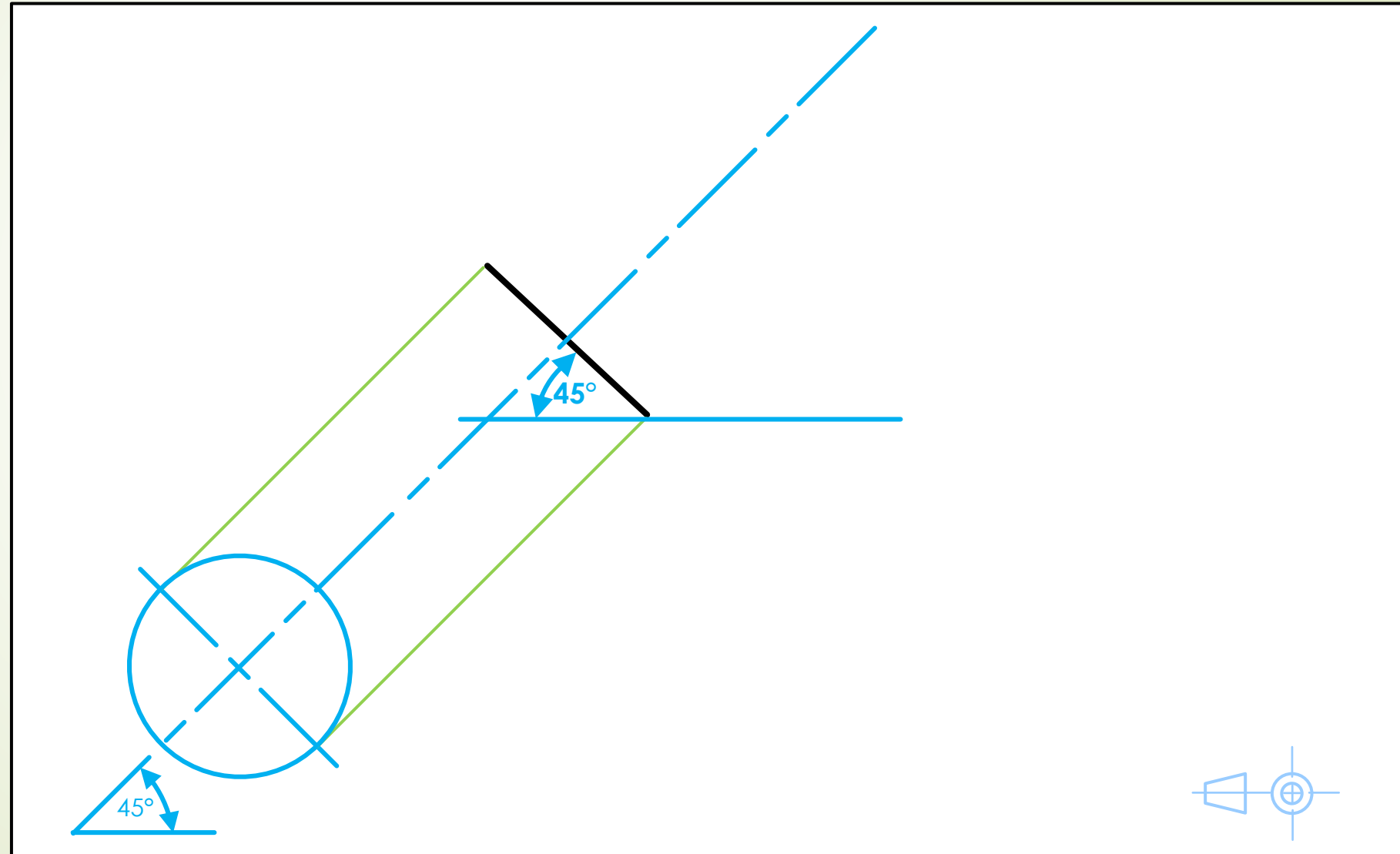
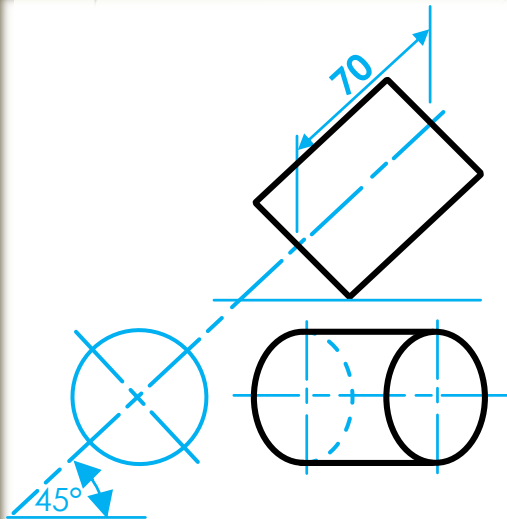
Application on cylinders and cones



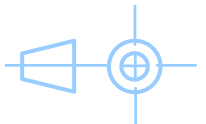
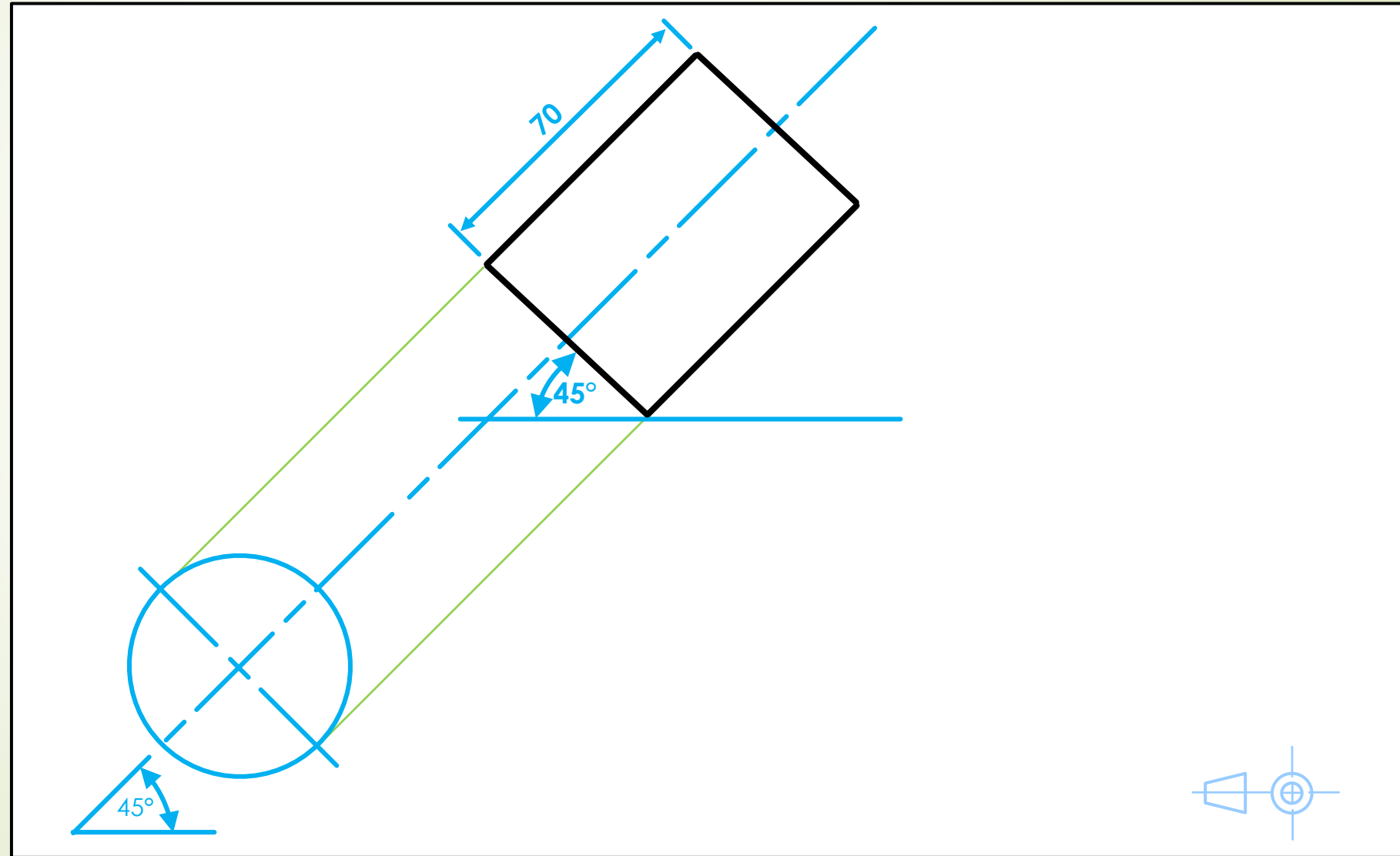
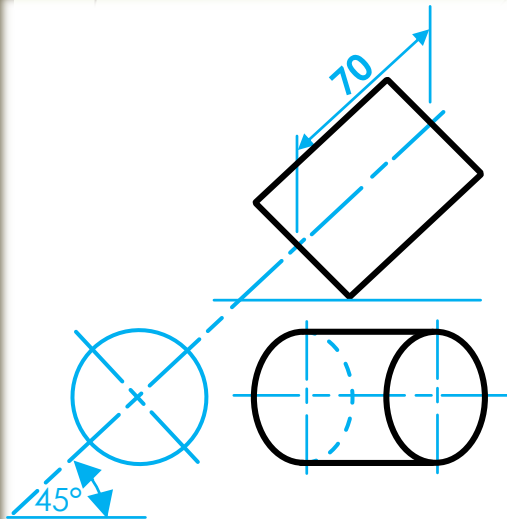
Application on cylinders and cones



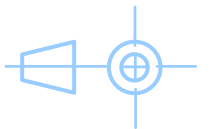
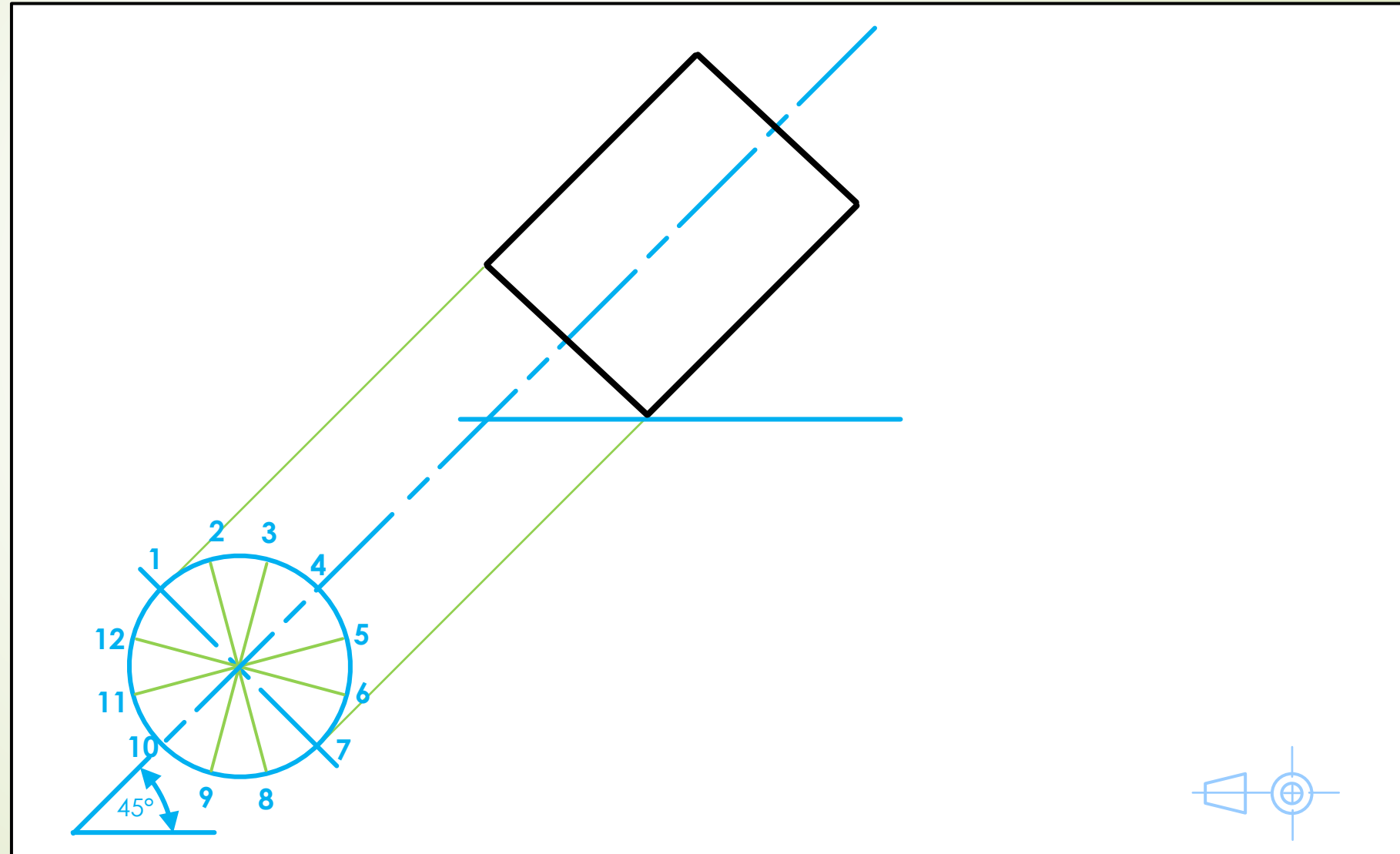
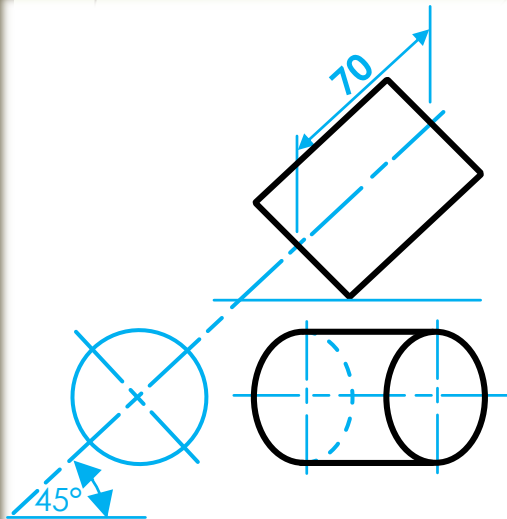
Application on cylinders and cones



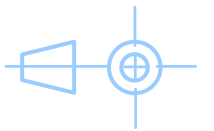
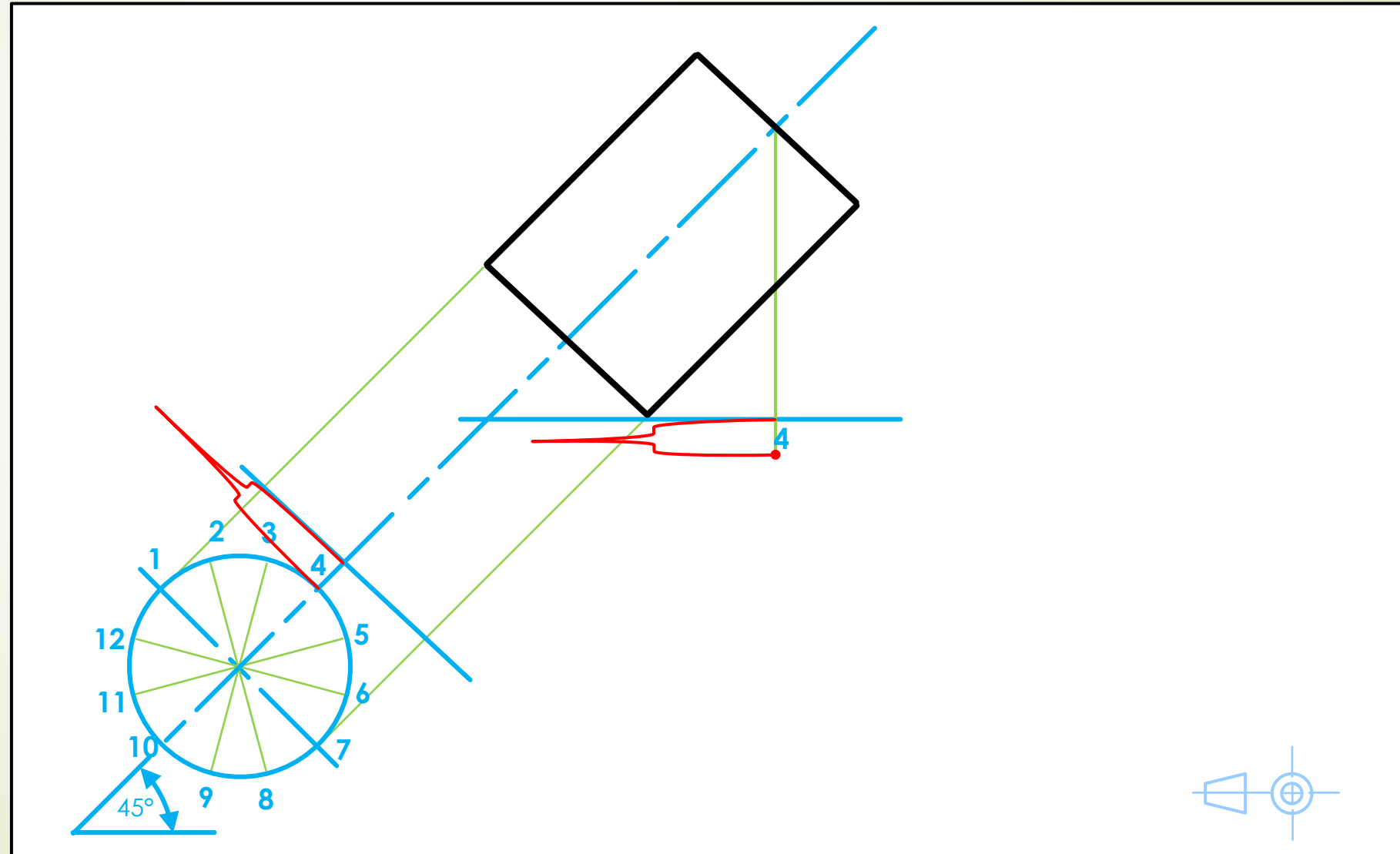
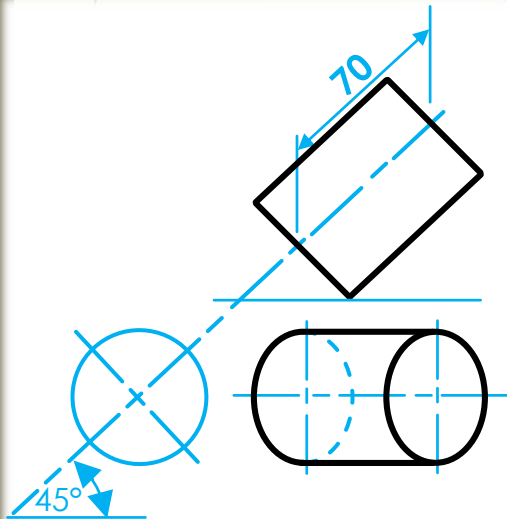
Application on cylinders and cones



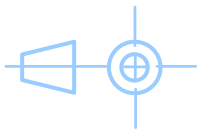
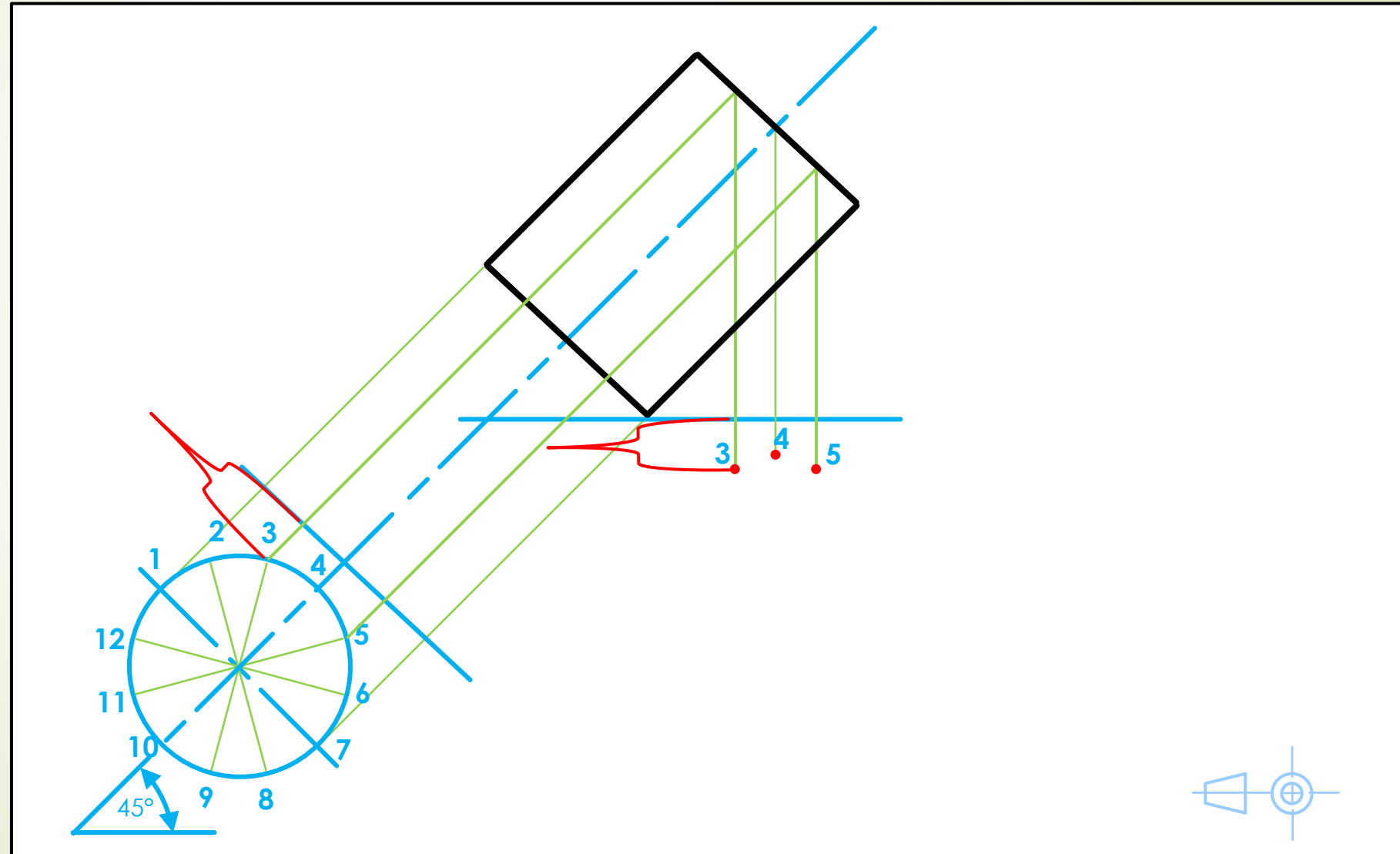
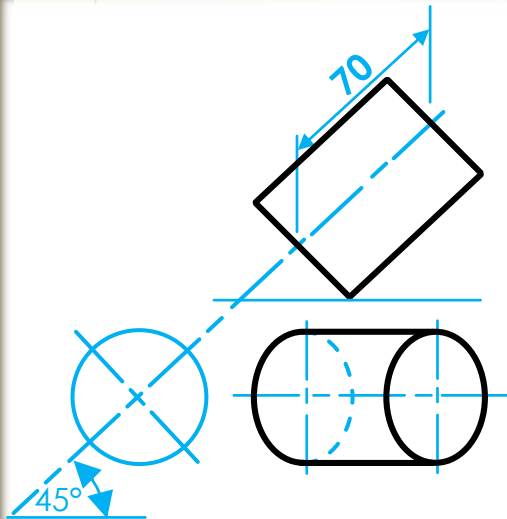
Application on cylinders and cones



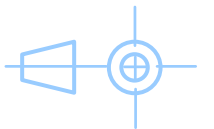
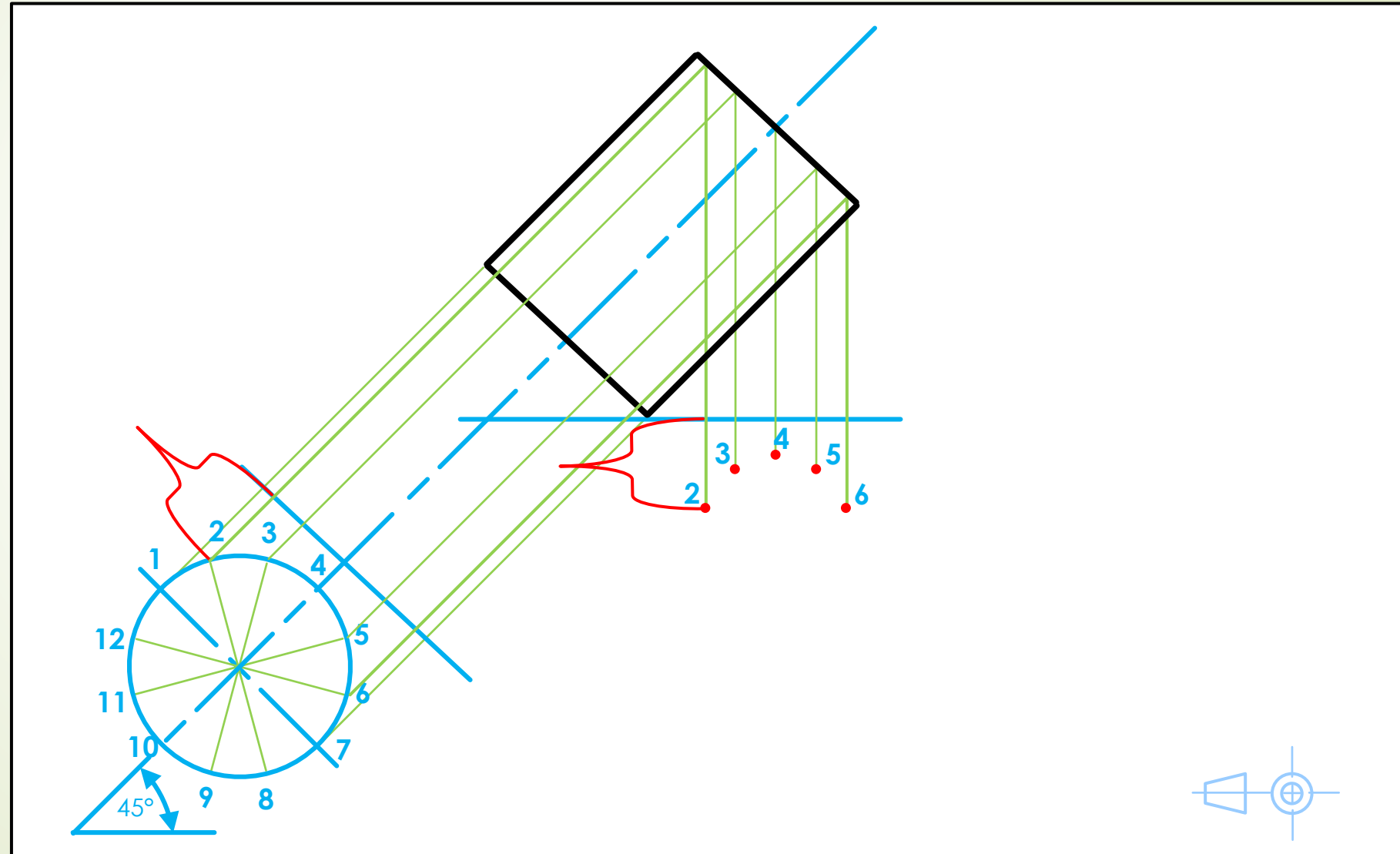
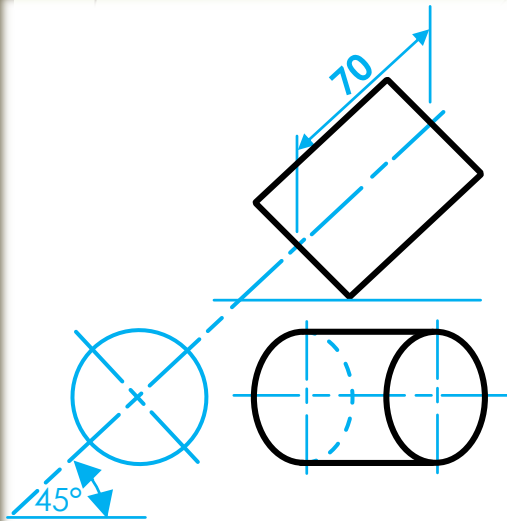
Application on cylinders and cones



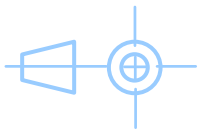
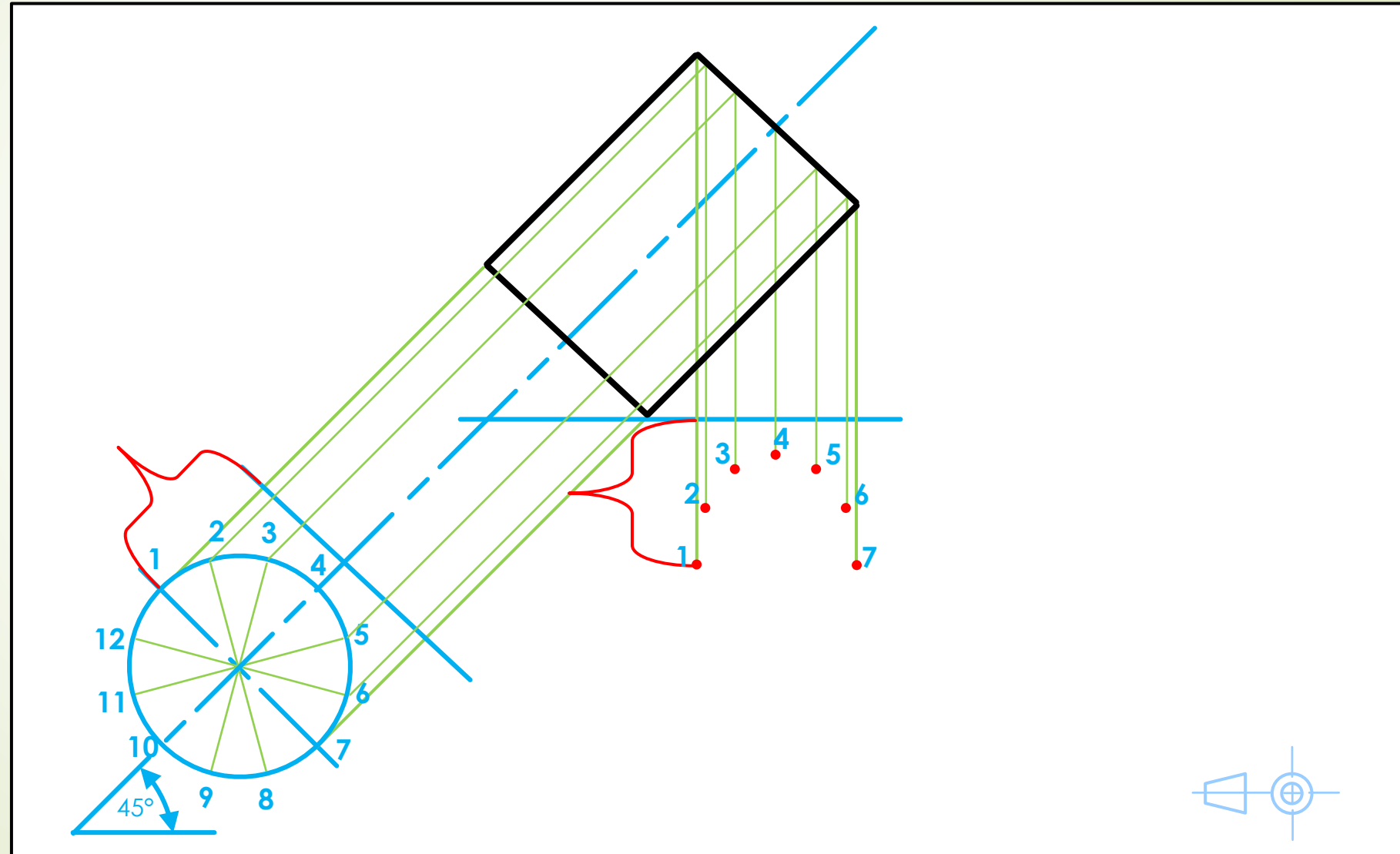
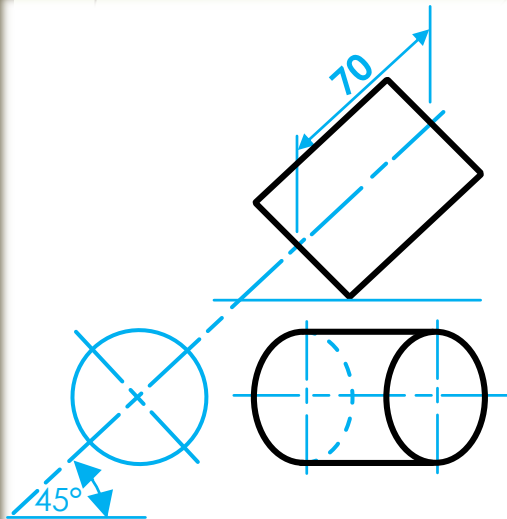
Application on cylinders and cones



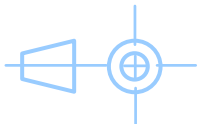
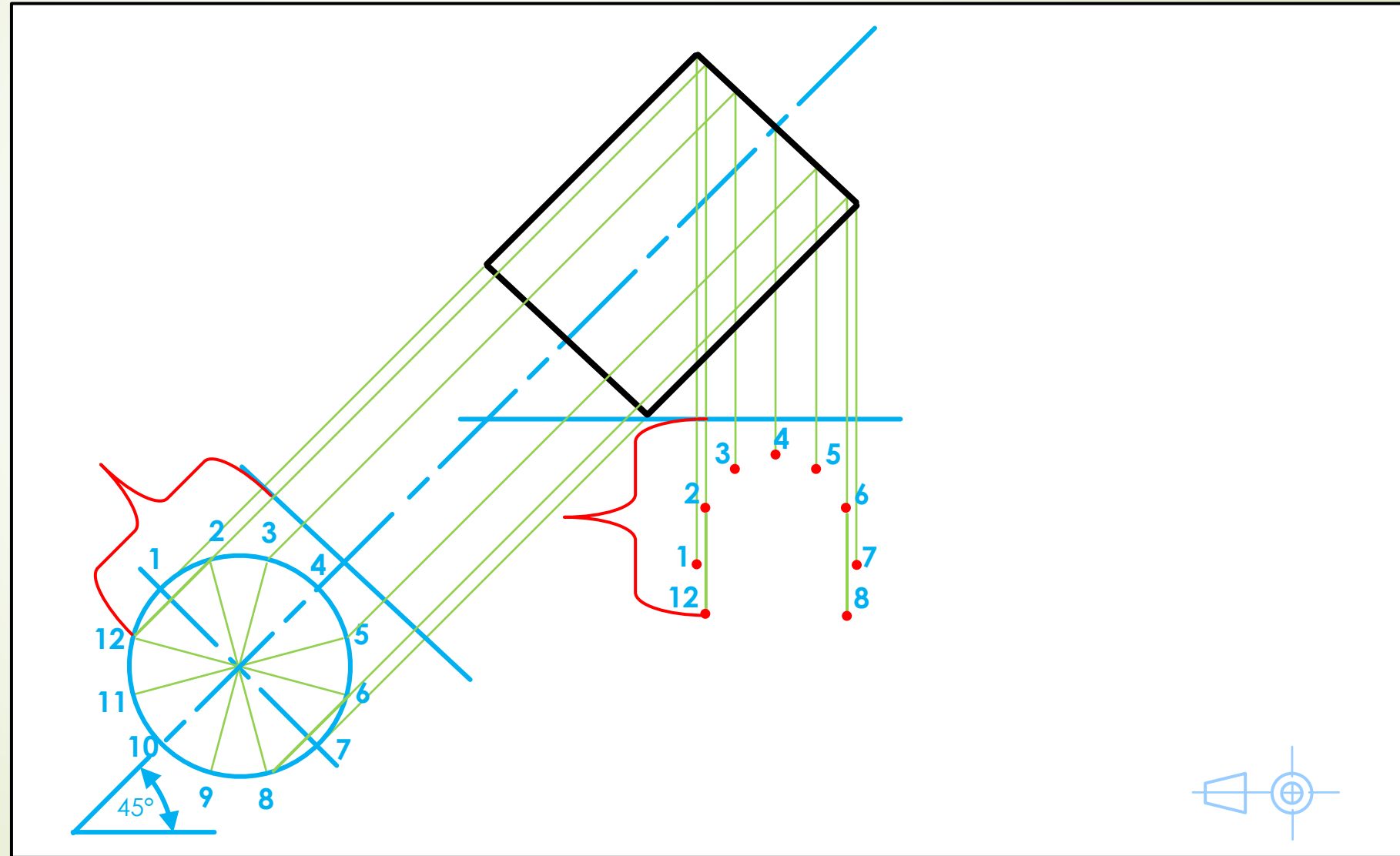
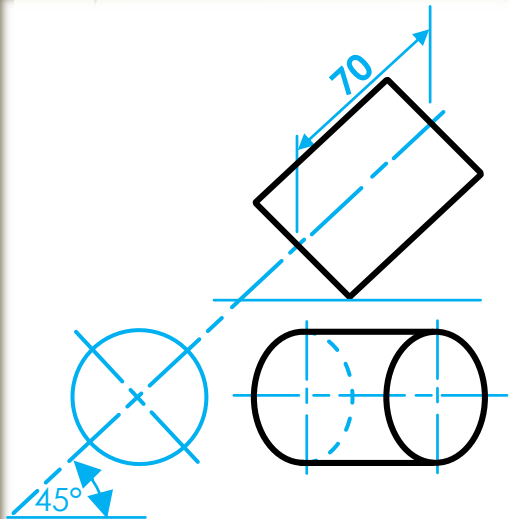
Application on cylinders and cones



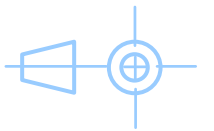
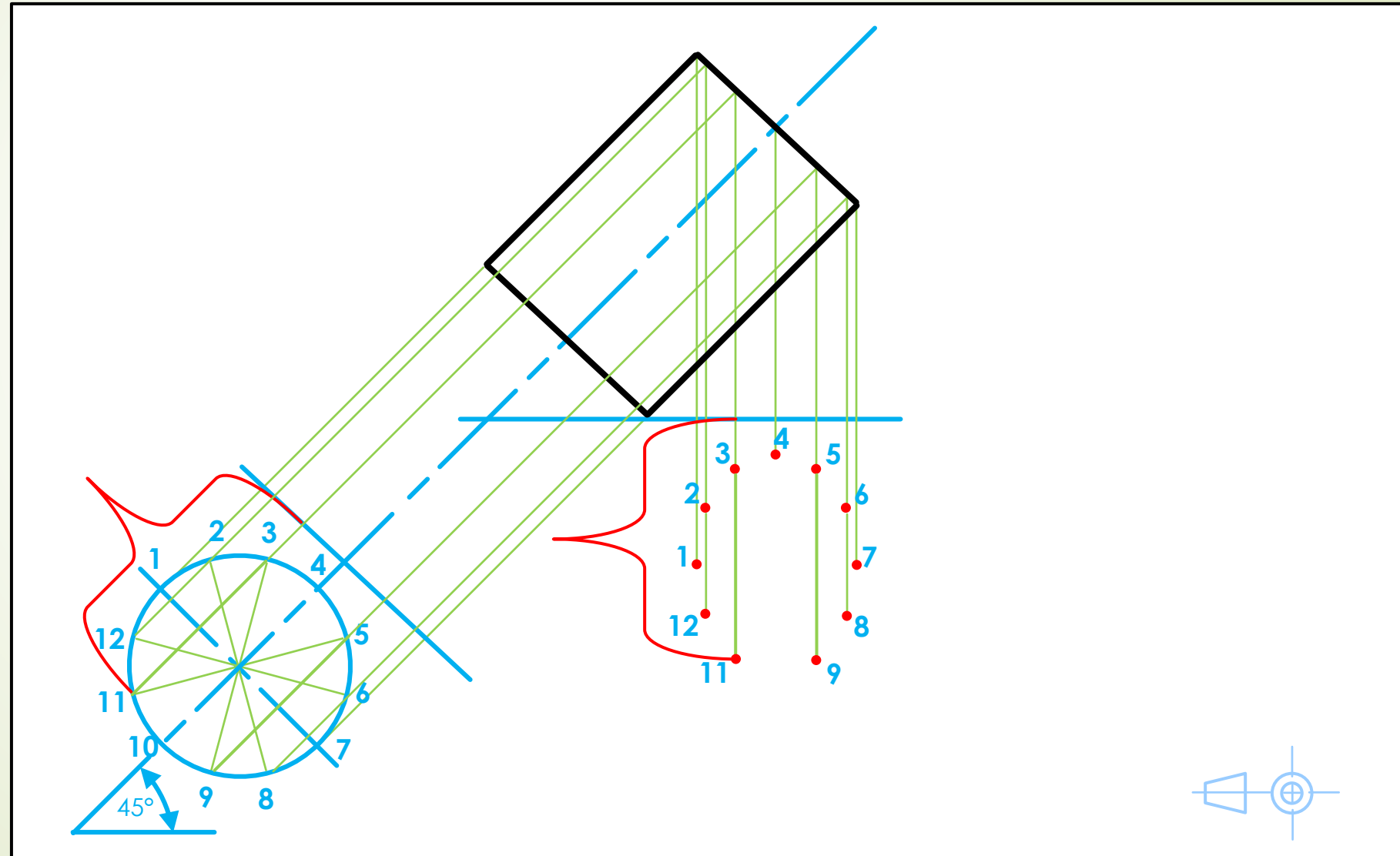
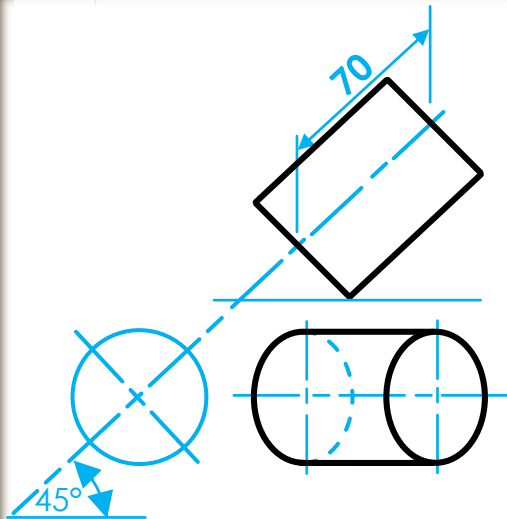
Application on cylinders and cones



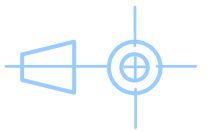
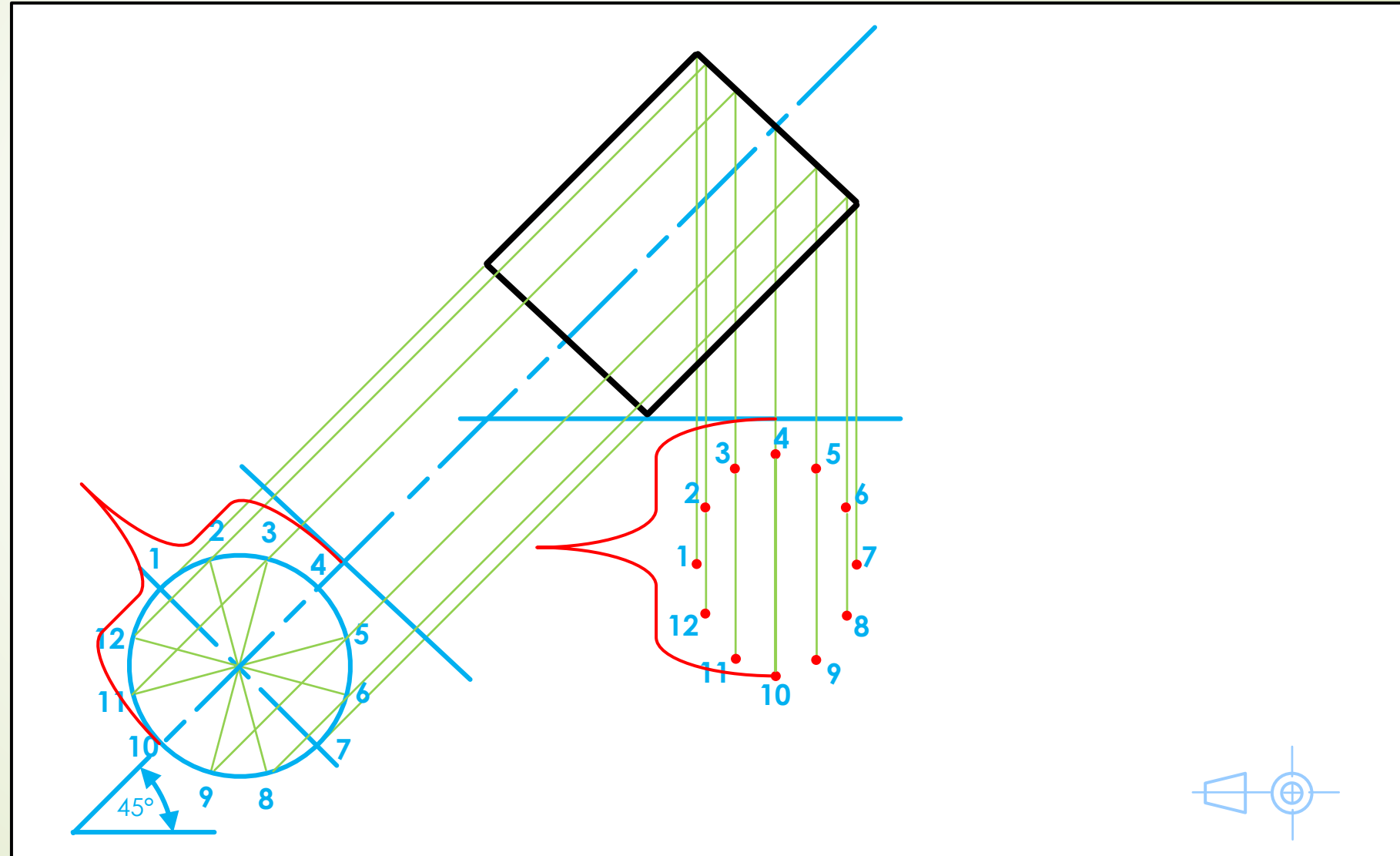
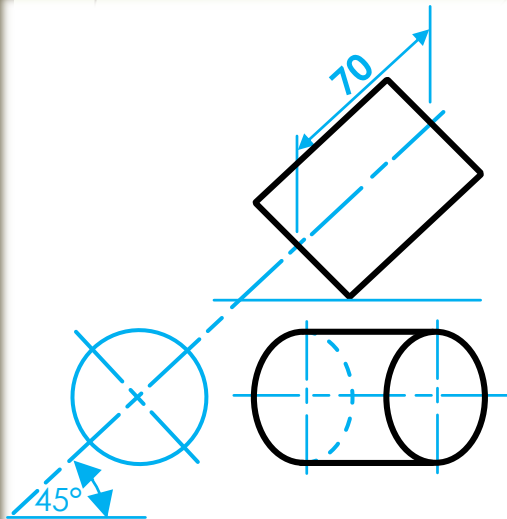
Application on cylinders and cones



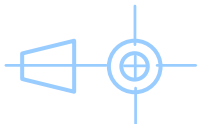
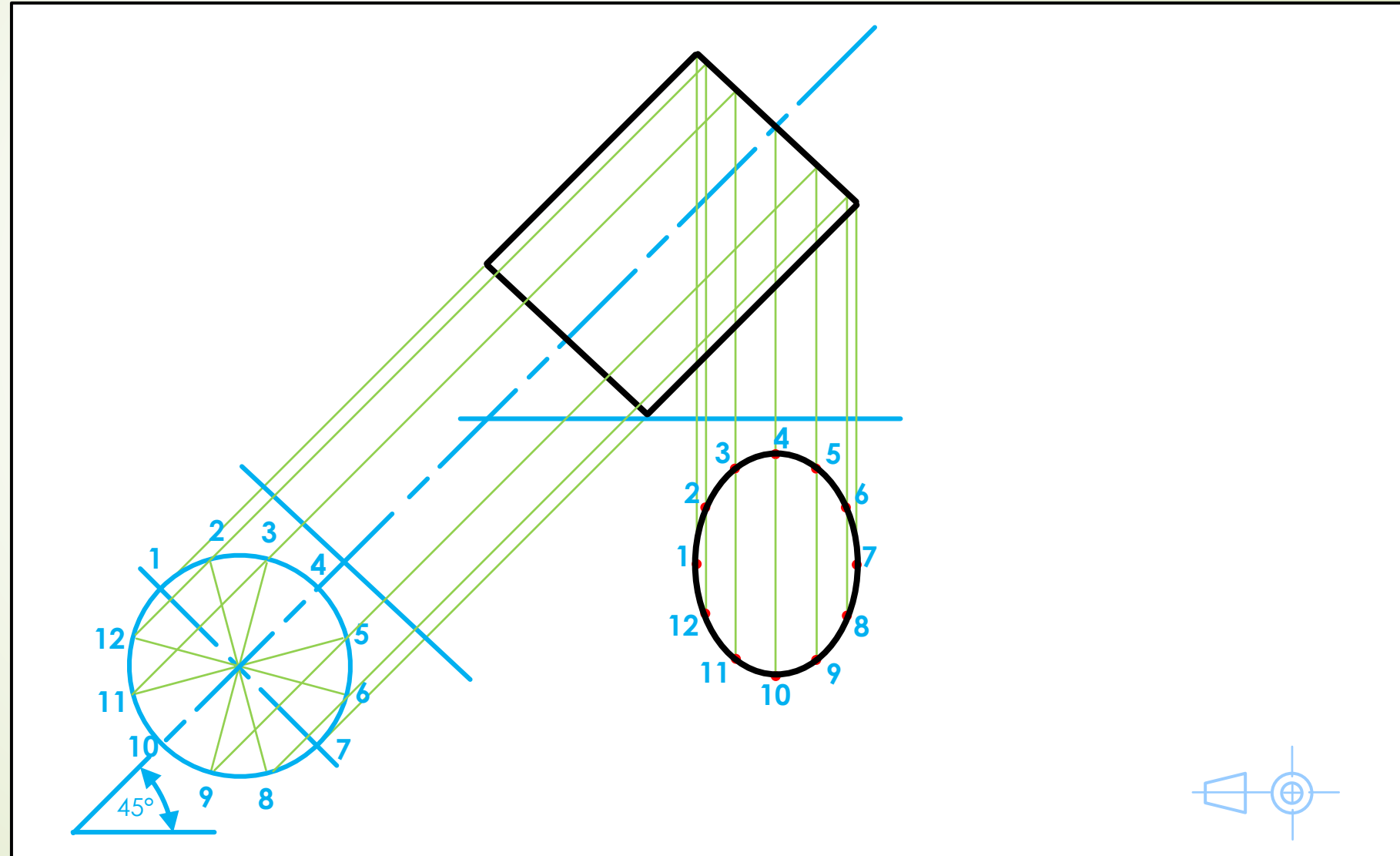
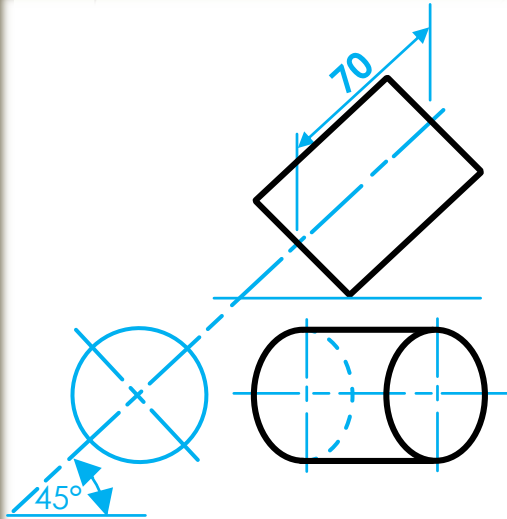
Application on cylinders and cones



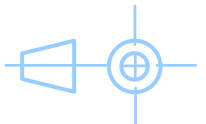
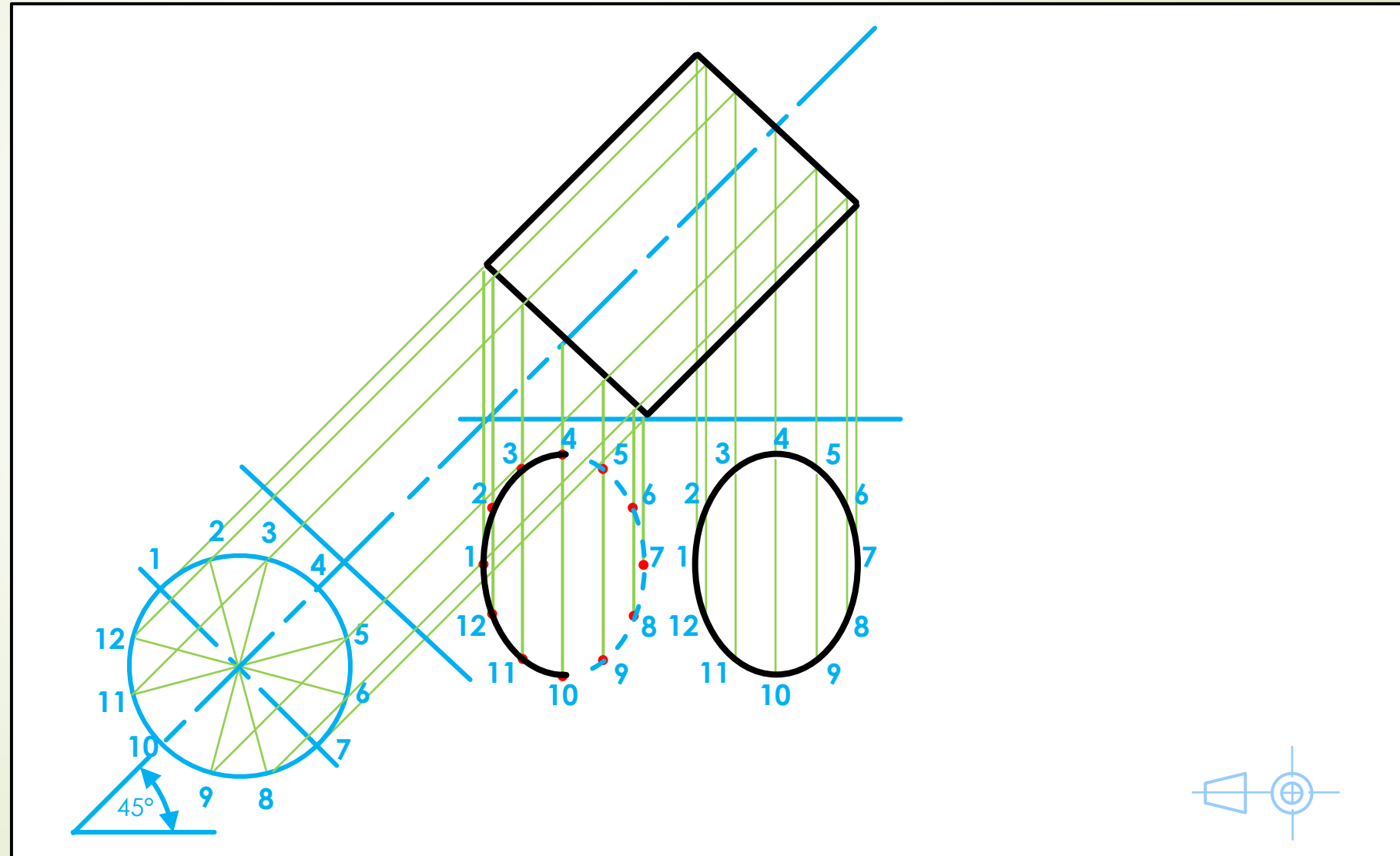
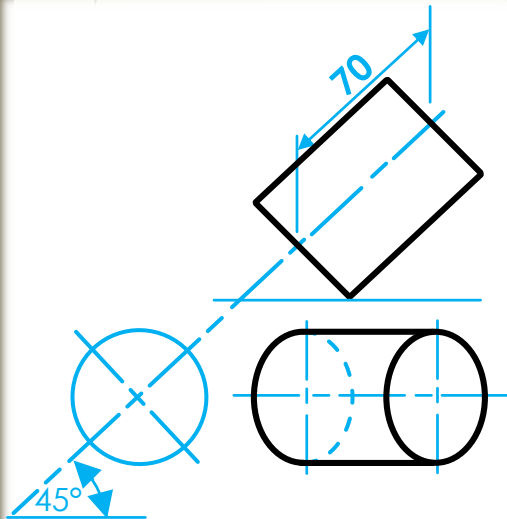
Application on cylinders and cones



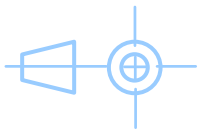
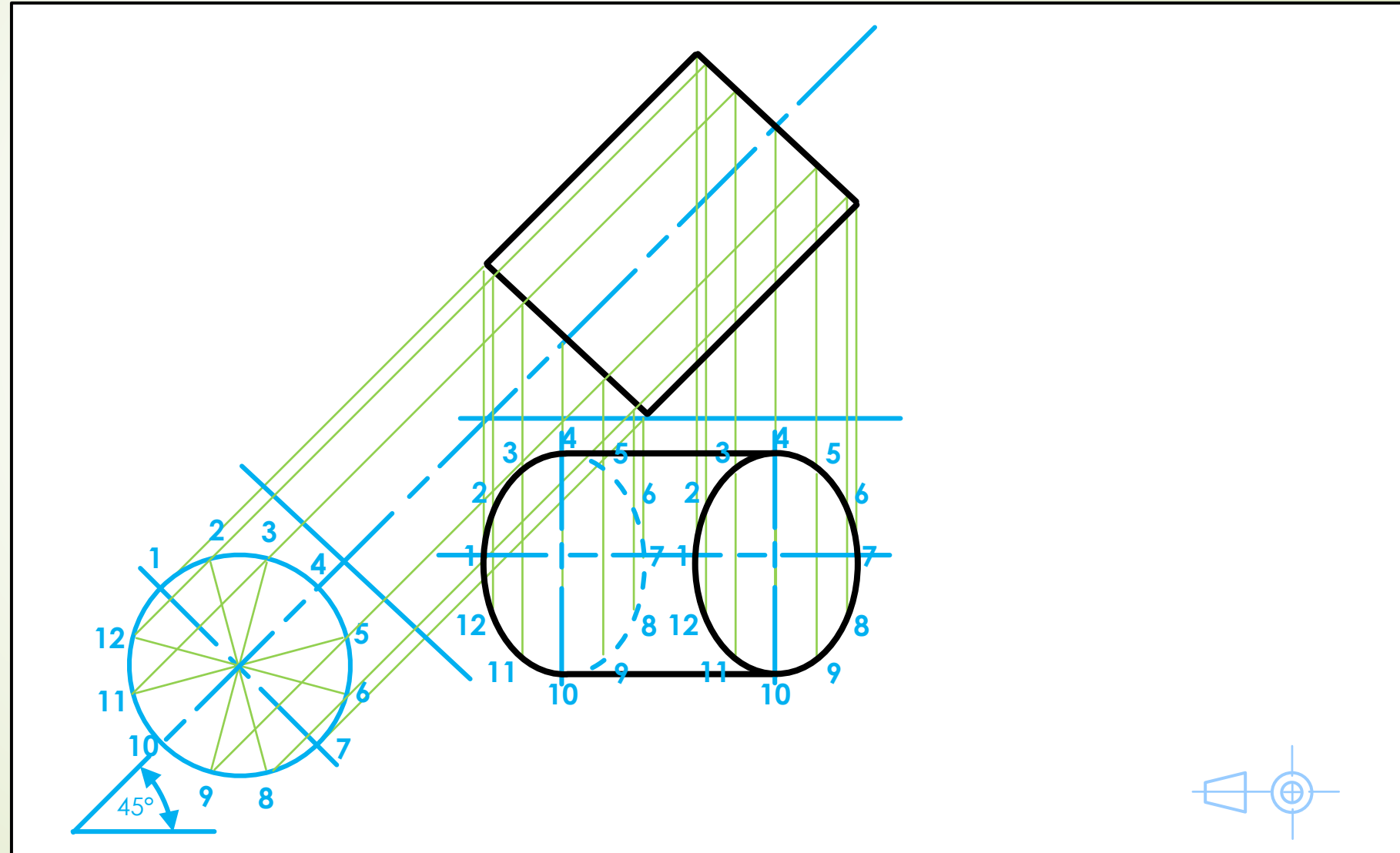
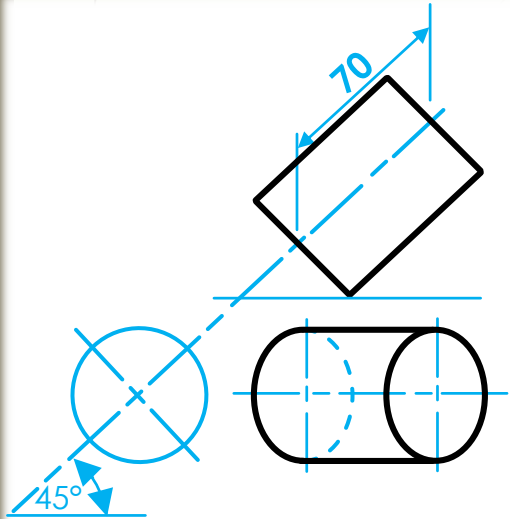
Application on cylinders and cones



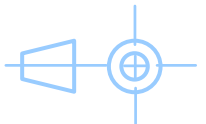
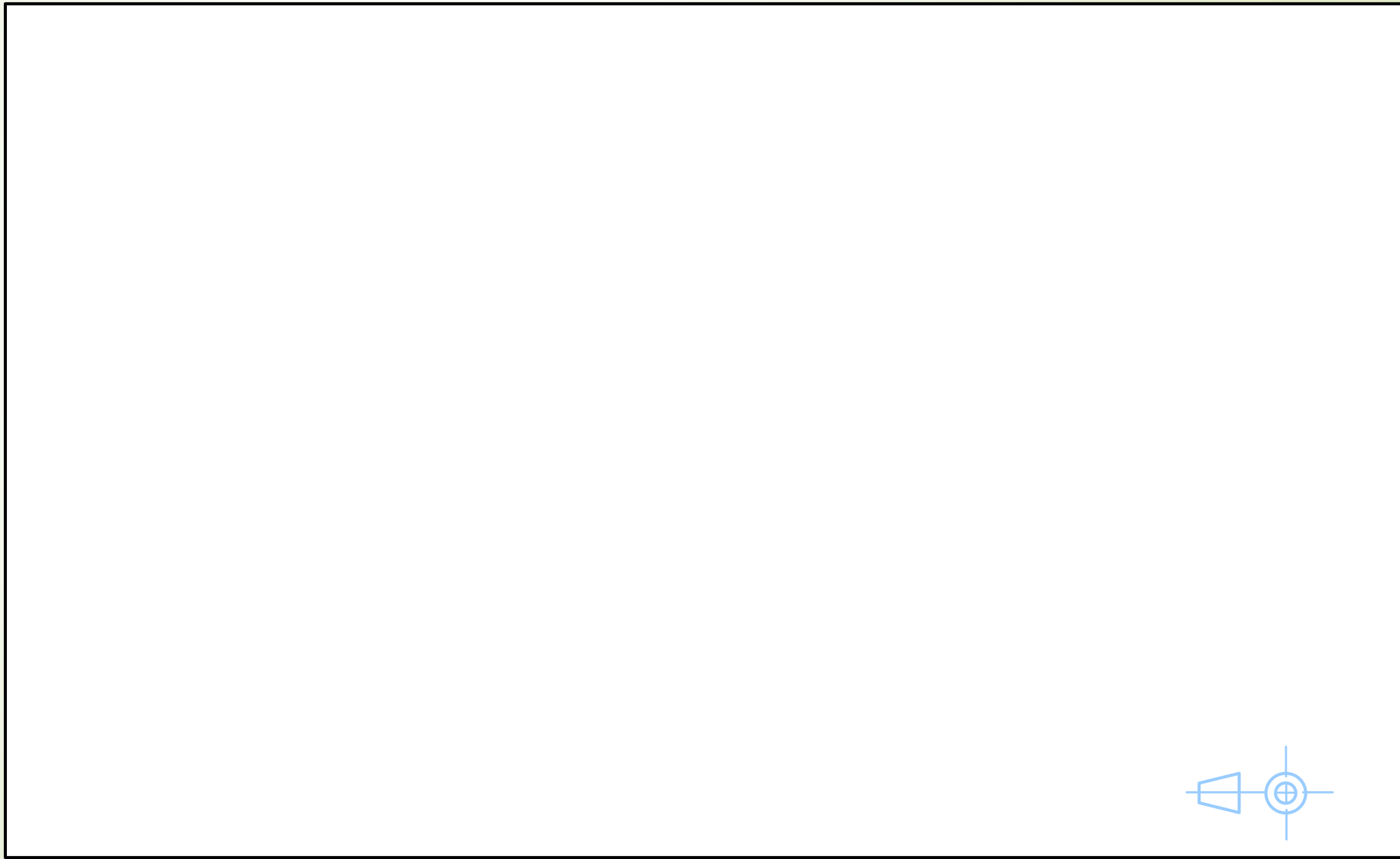
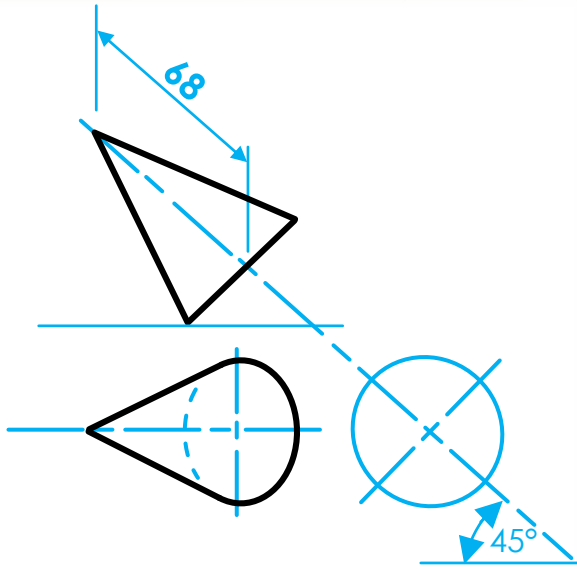
Application on cylinders and cones



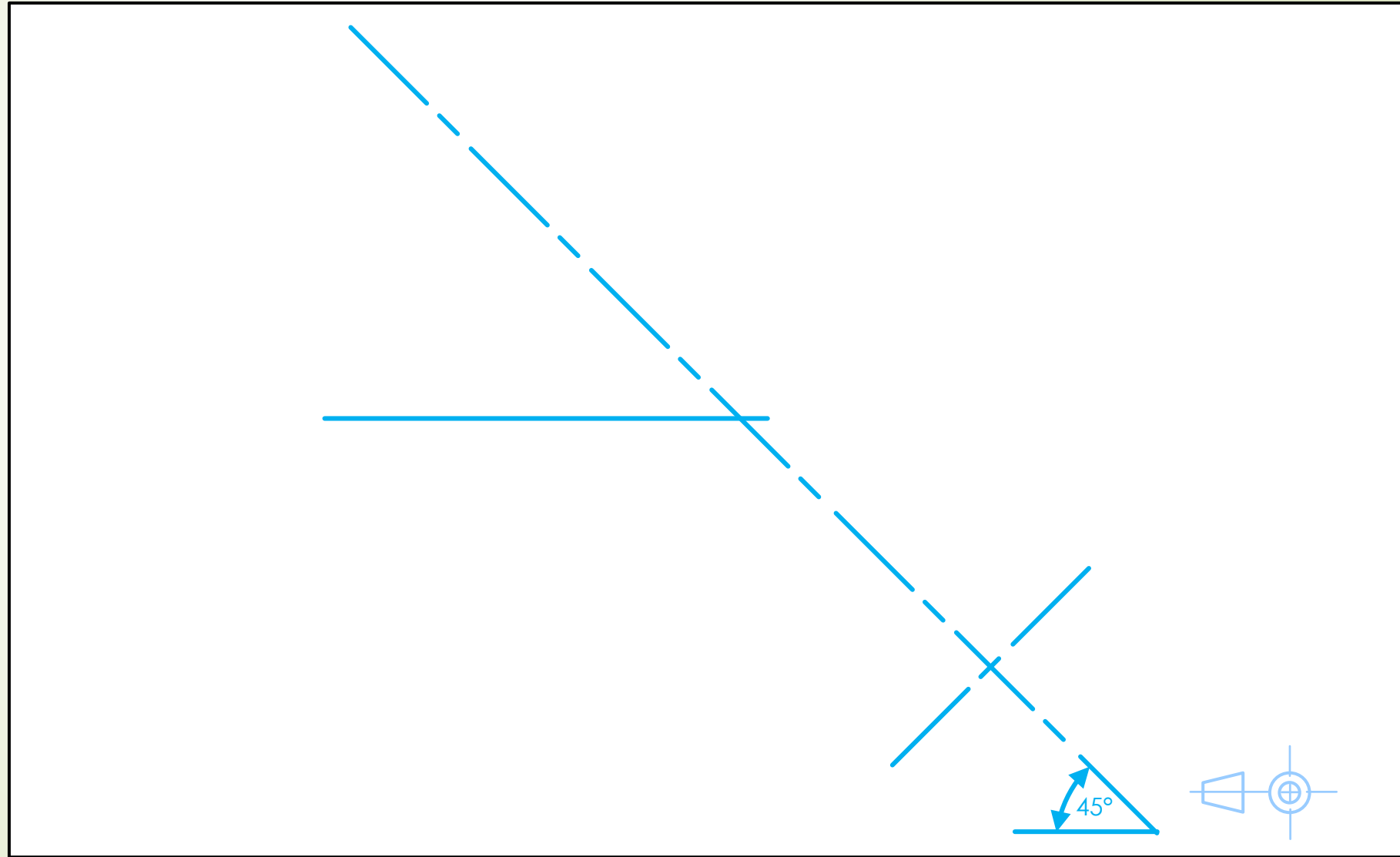
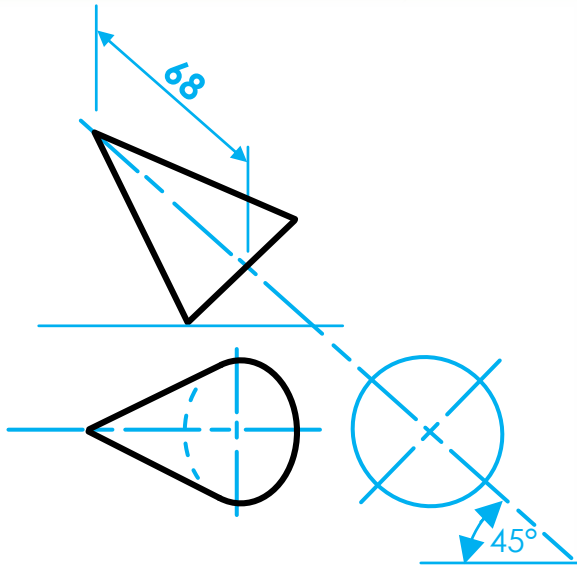
Application on cylinders and cones



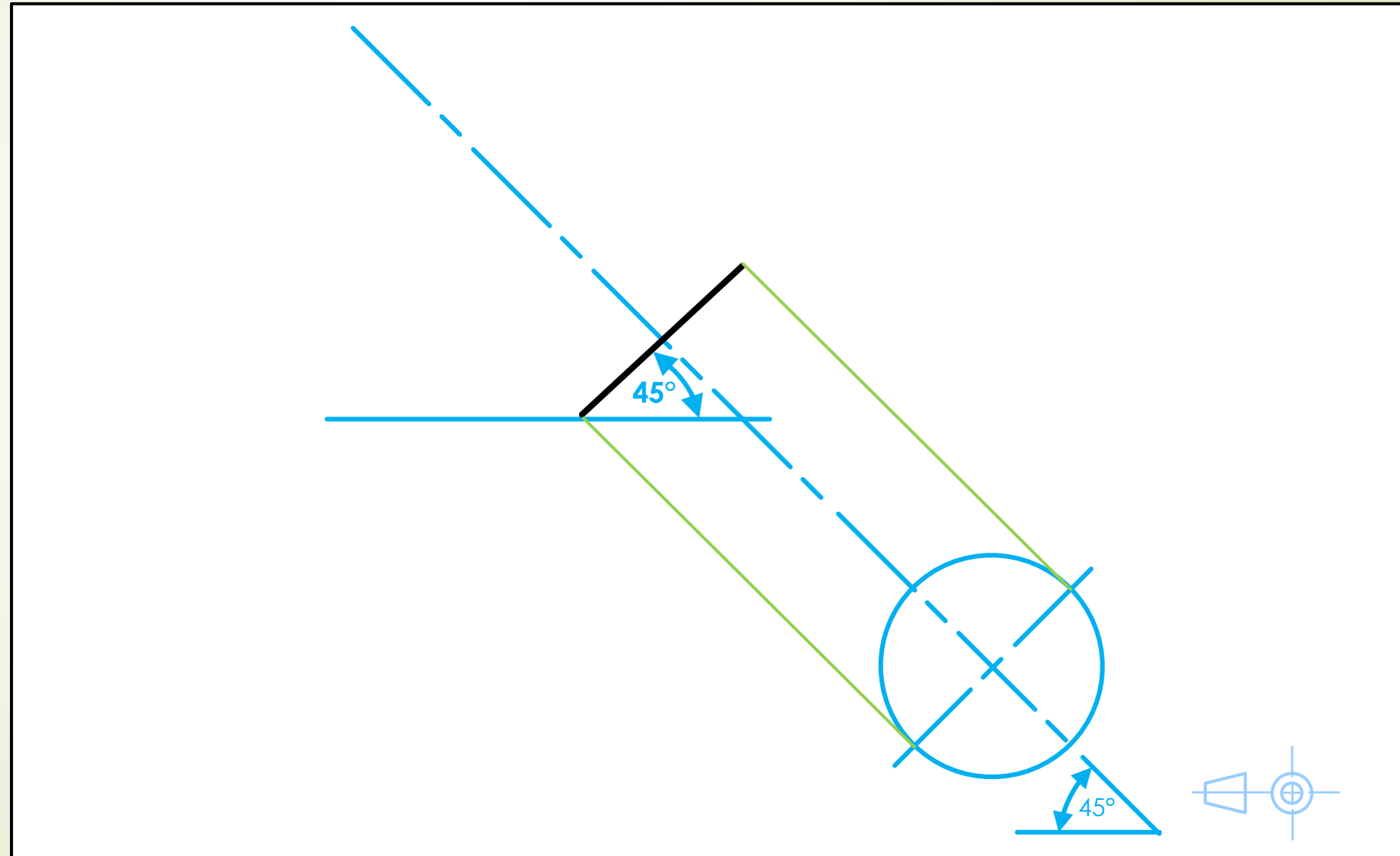
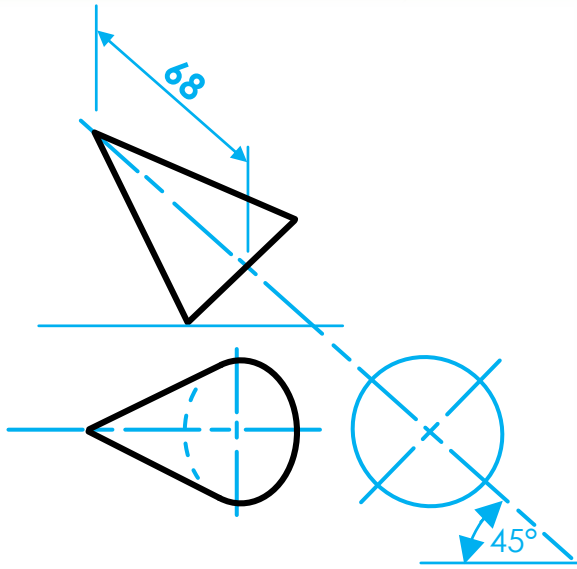
Application on cylinders and cones



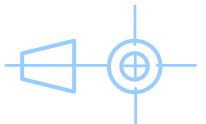
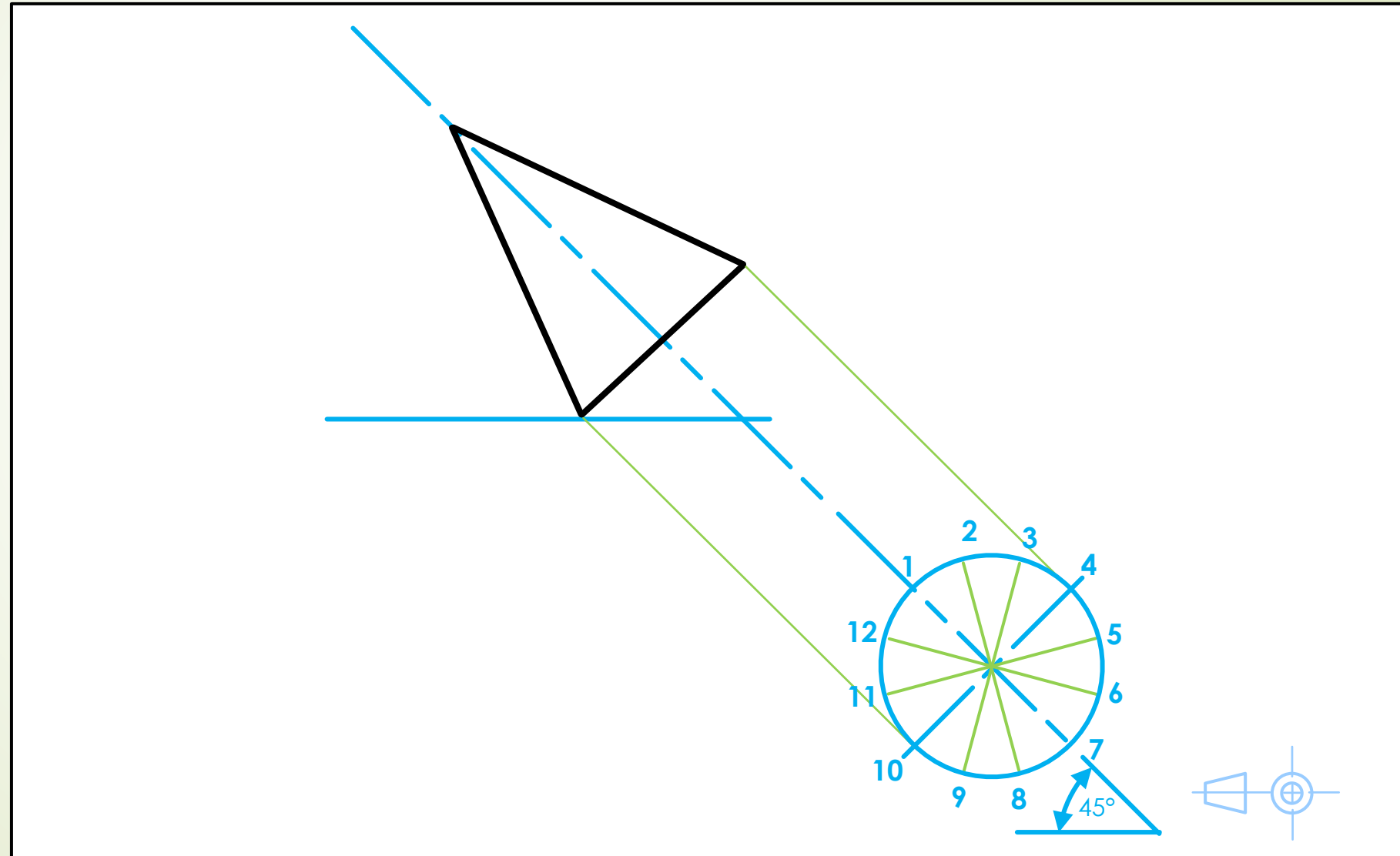
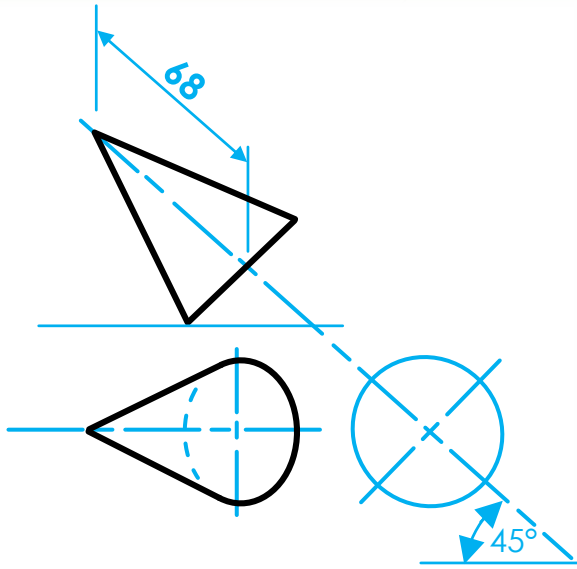
Application on cylinders and cones



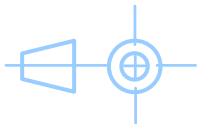
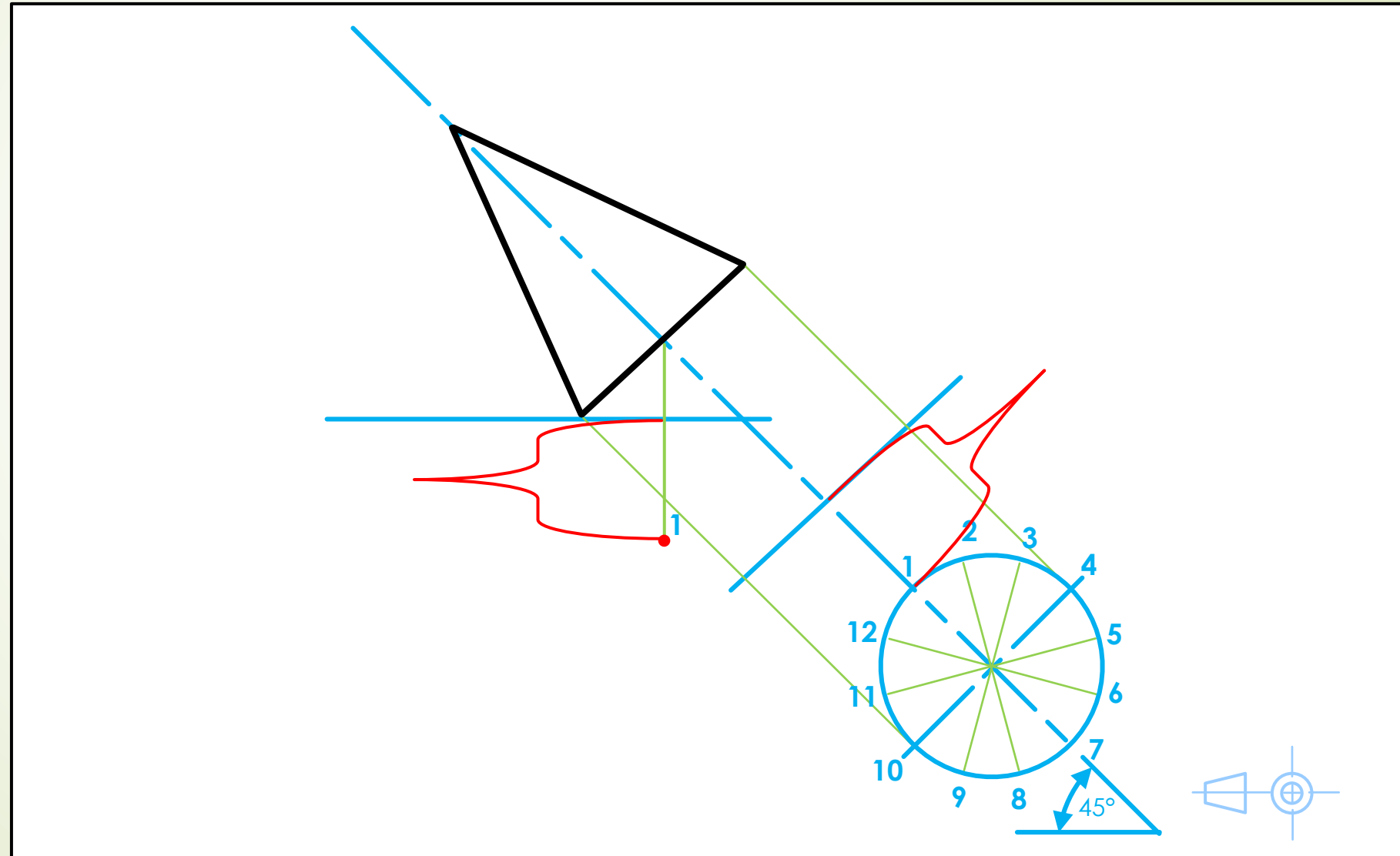
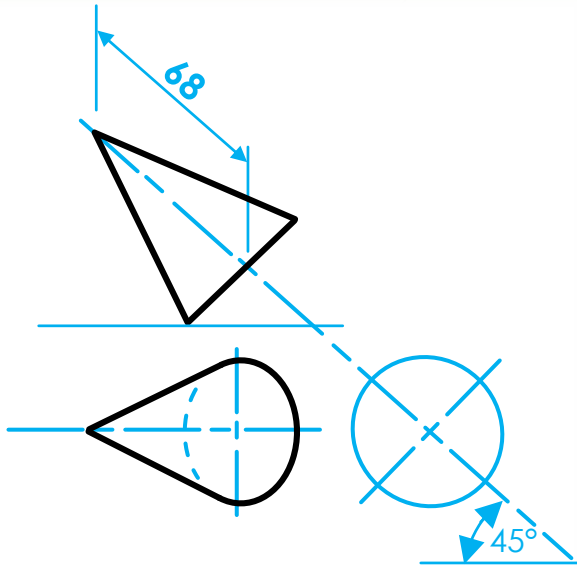
Application on cylinders and cones



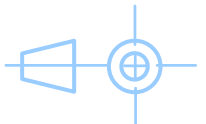
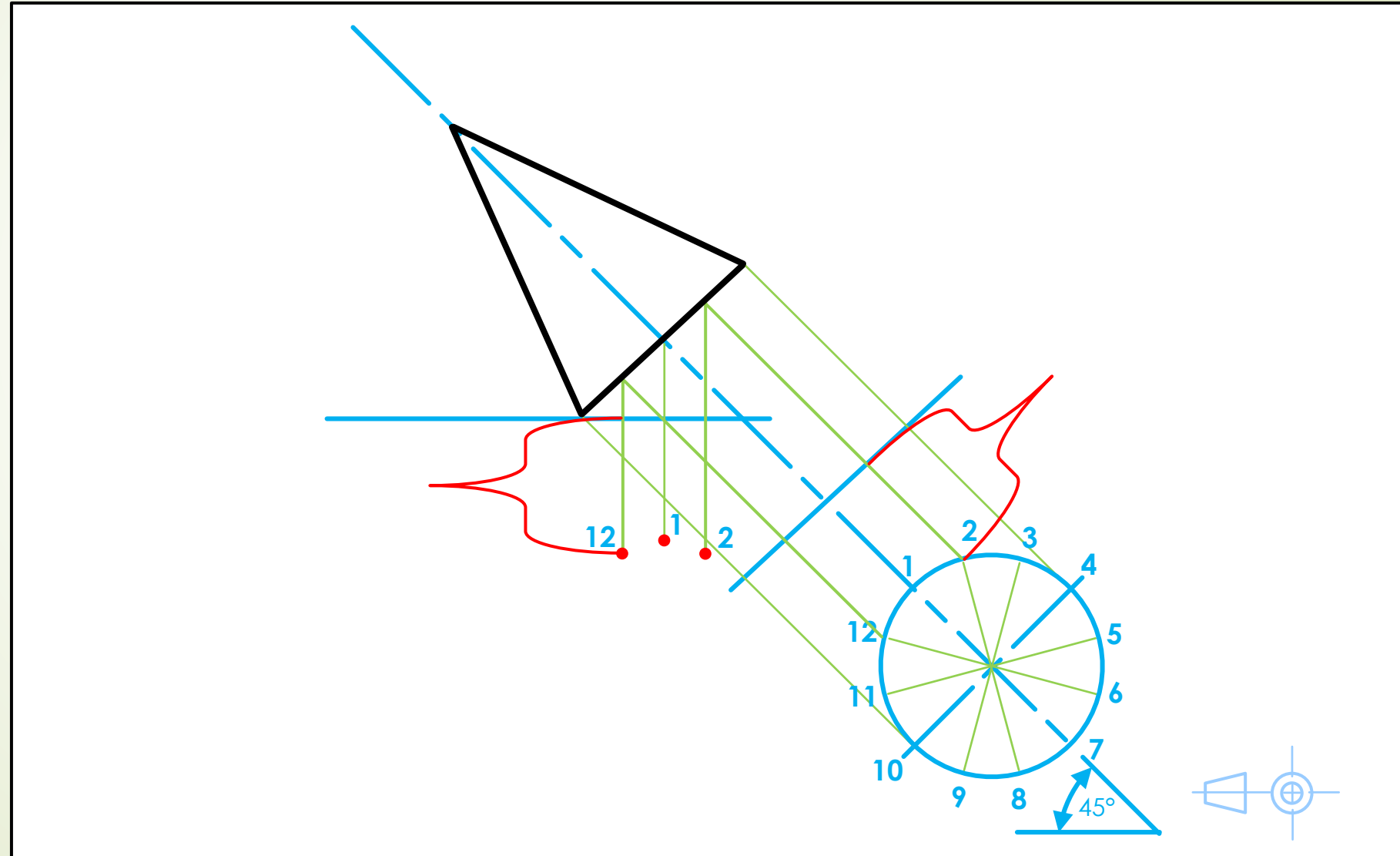
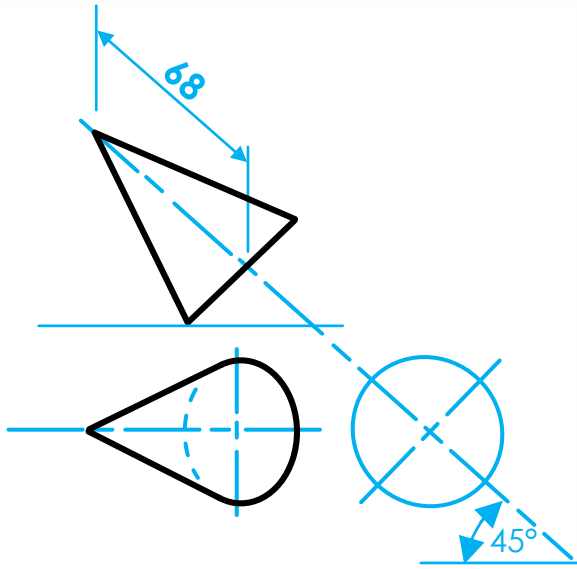
Application on cylinders and cones



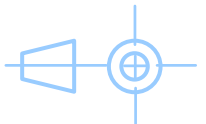
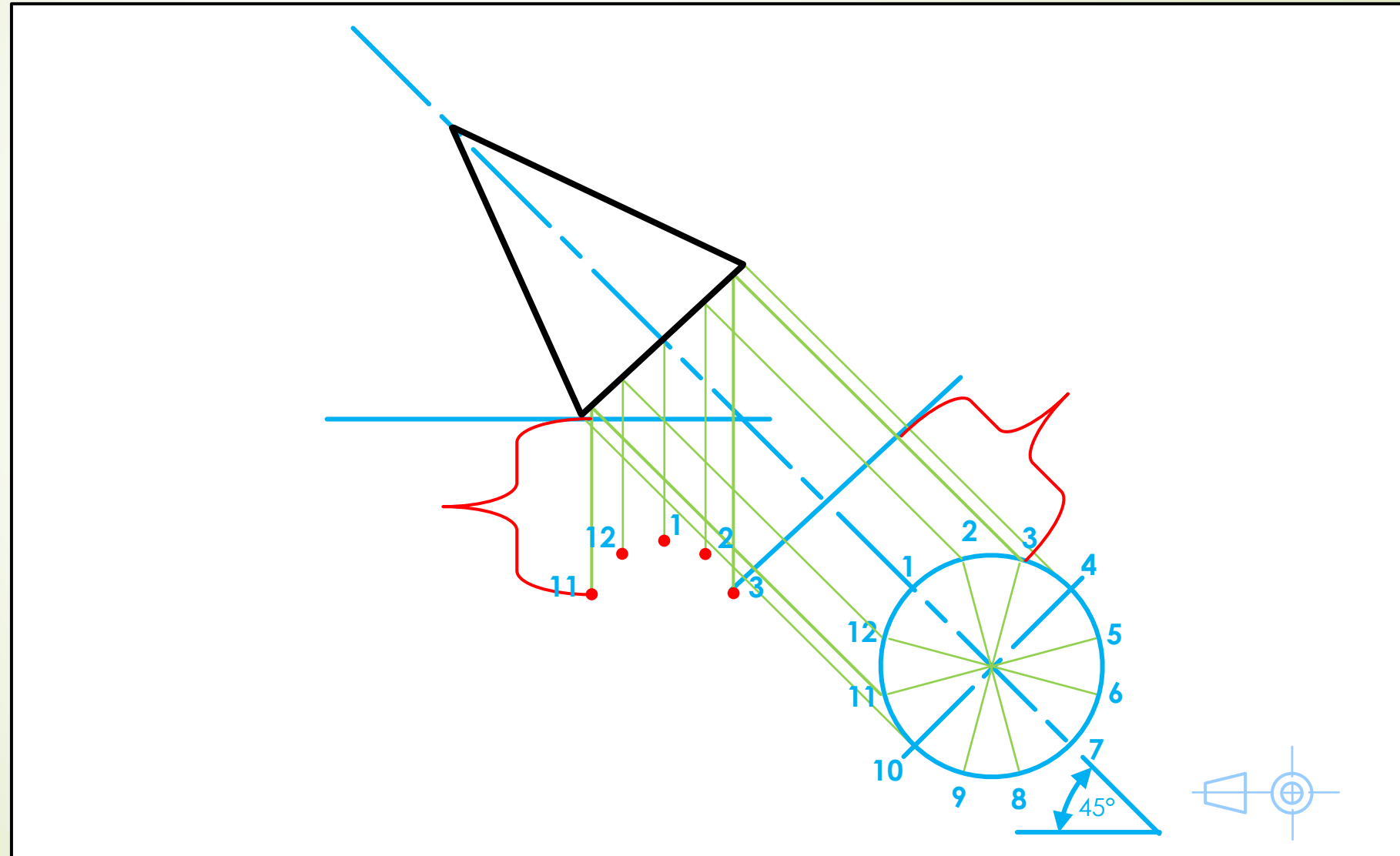
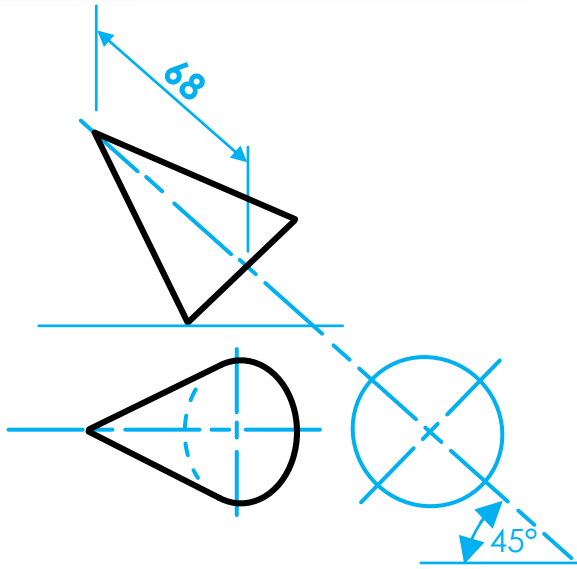
Application on cylinders and cones



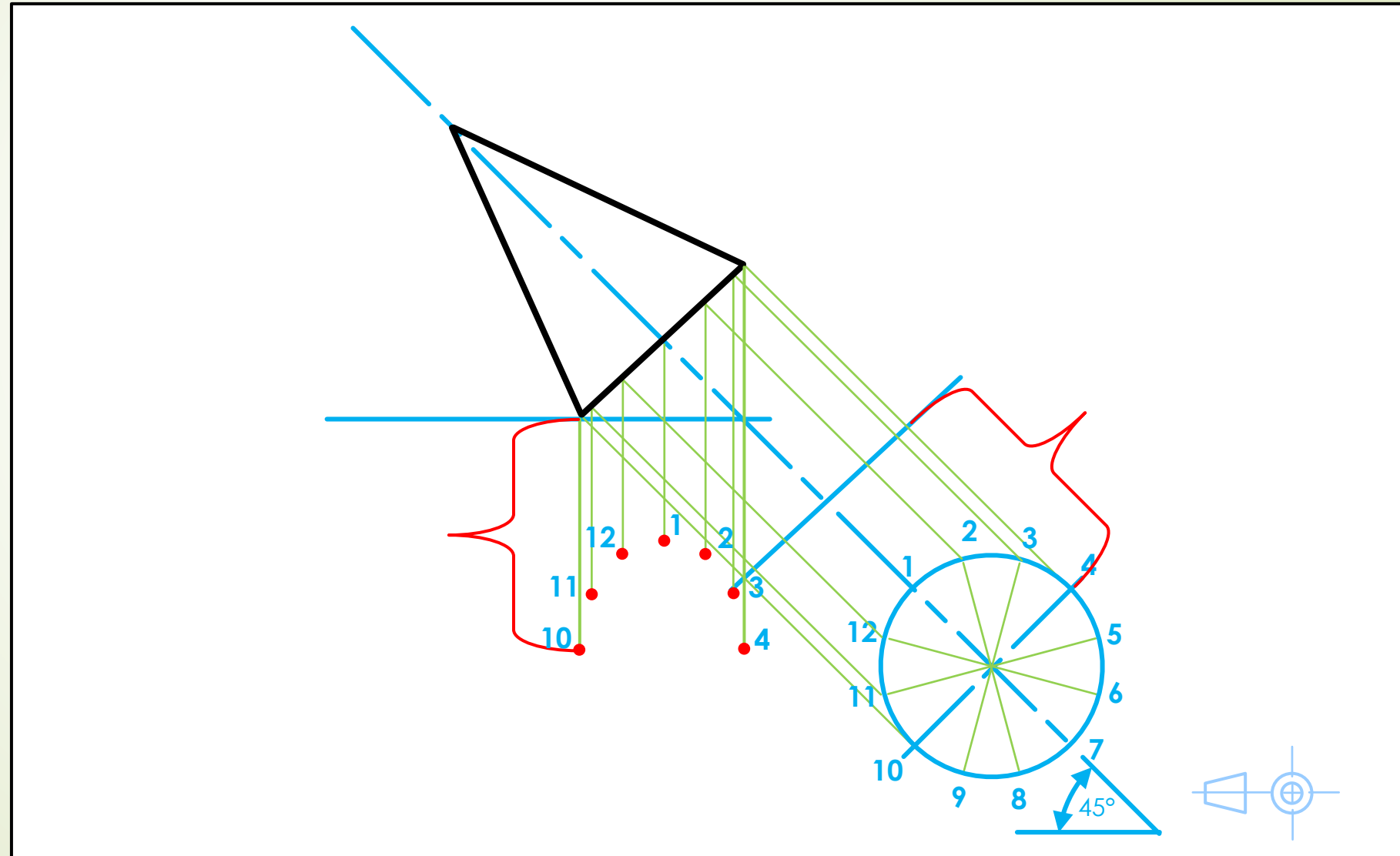
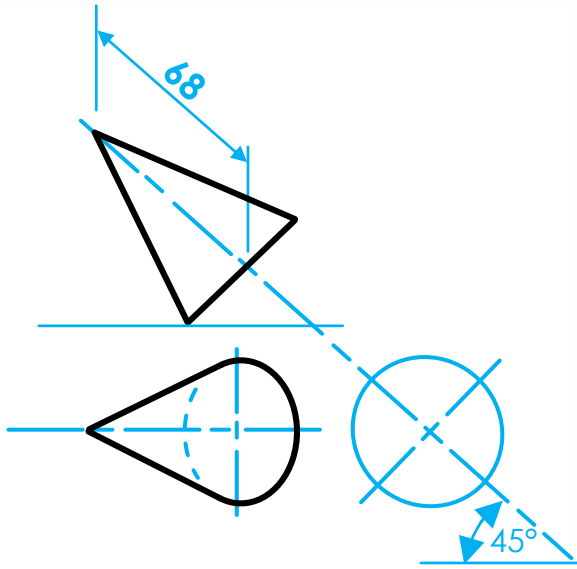
Application on cylinders and cones



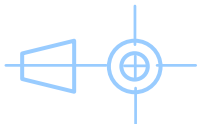
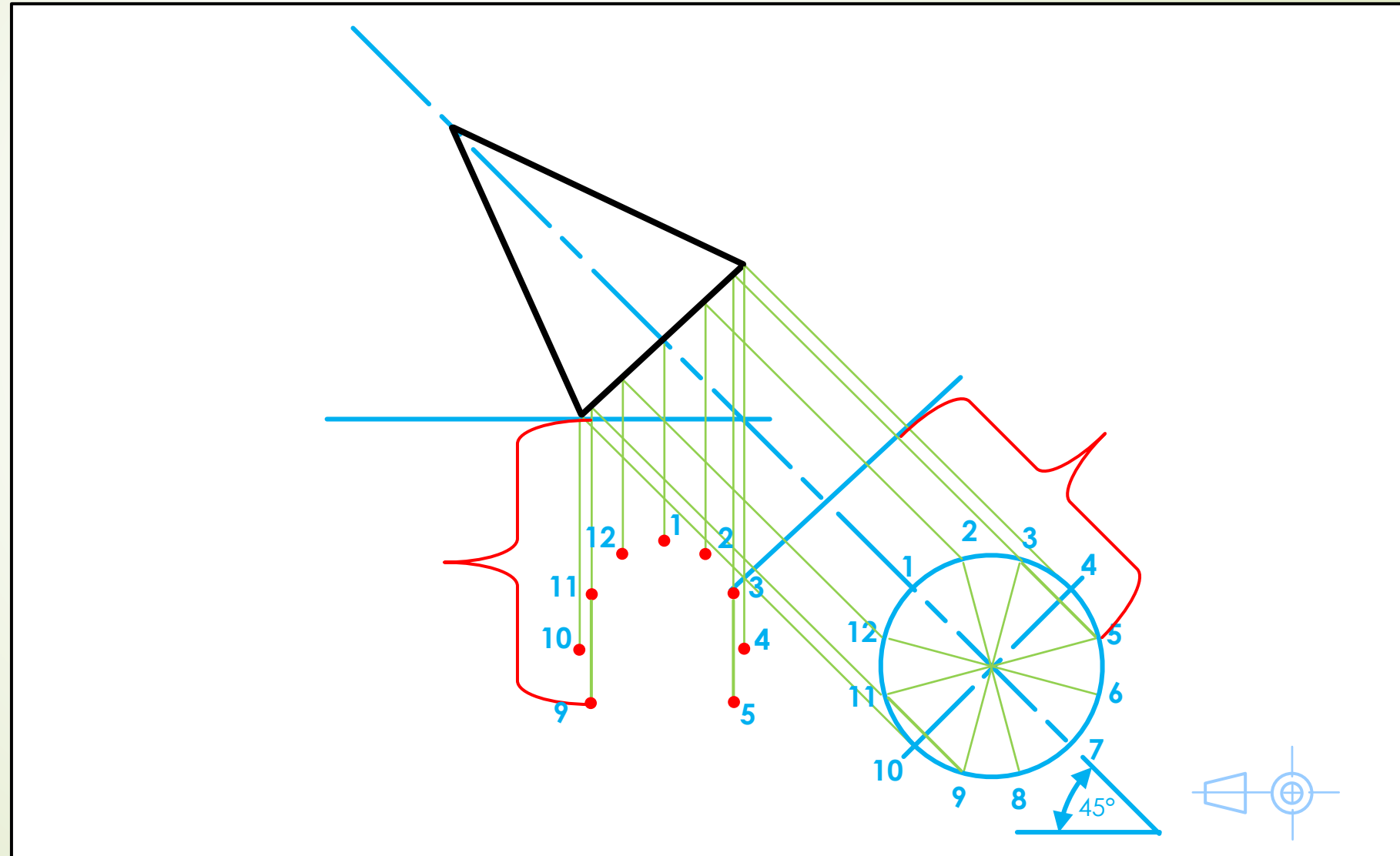
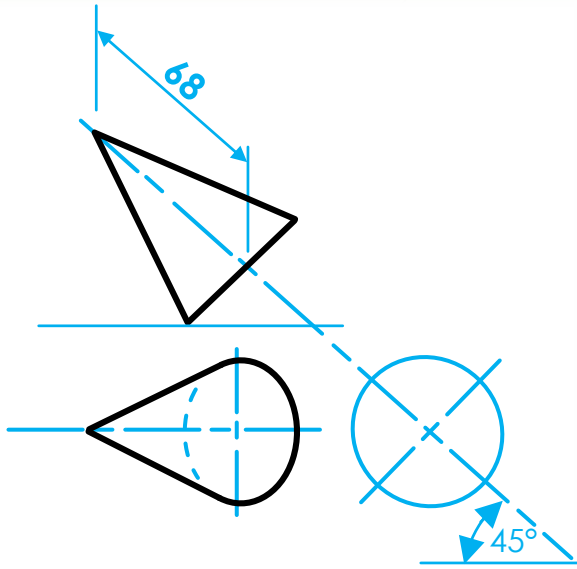
Application on cylinders and cones



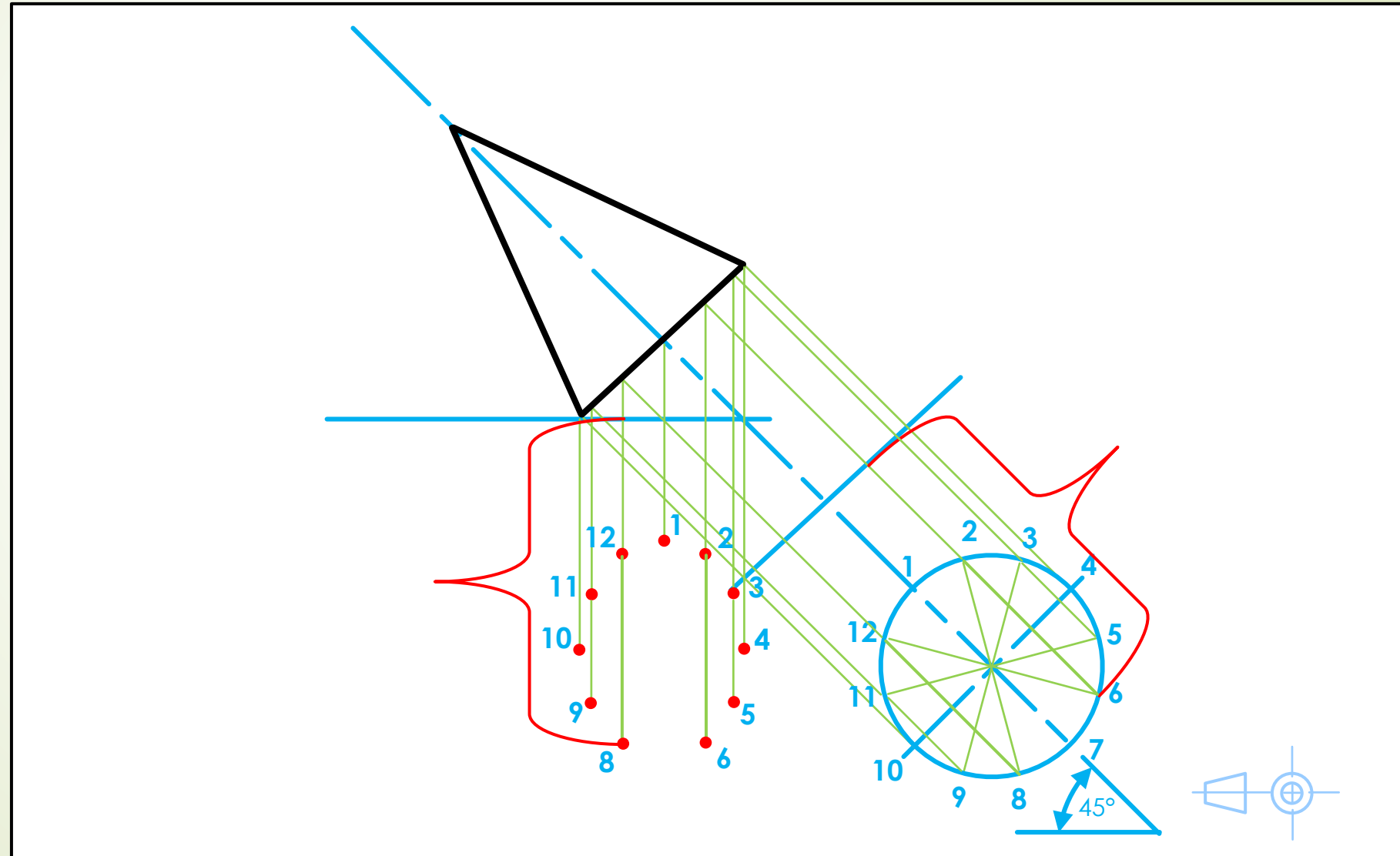
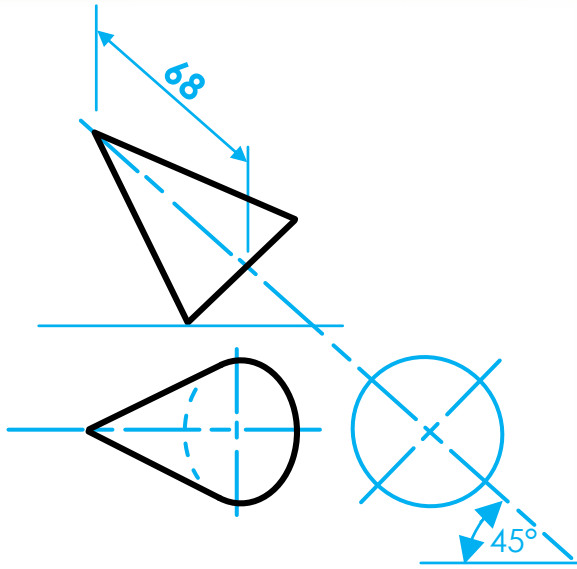
Application on cylinders and cones



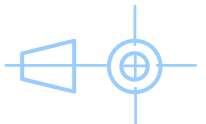
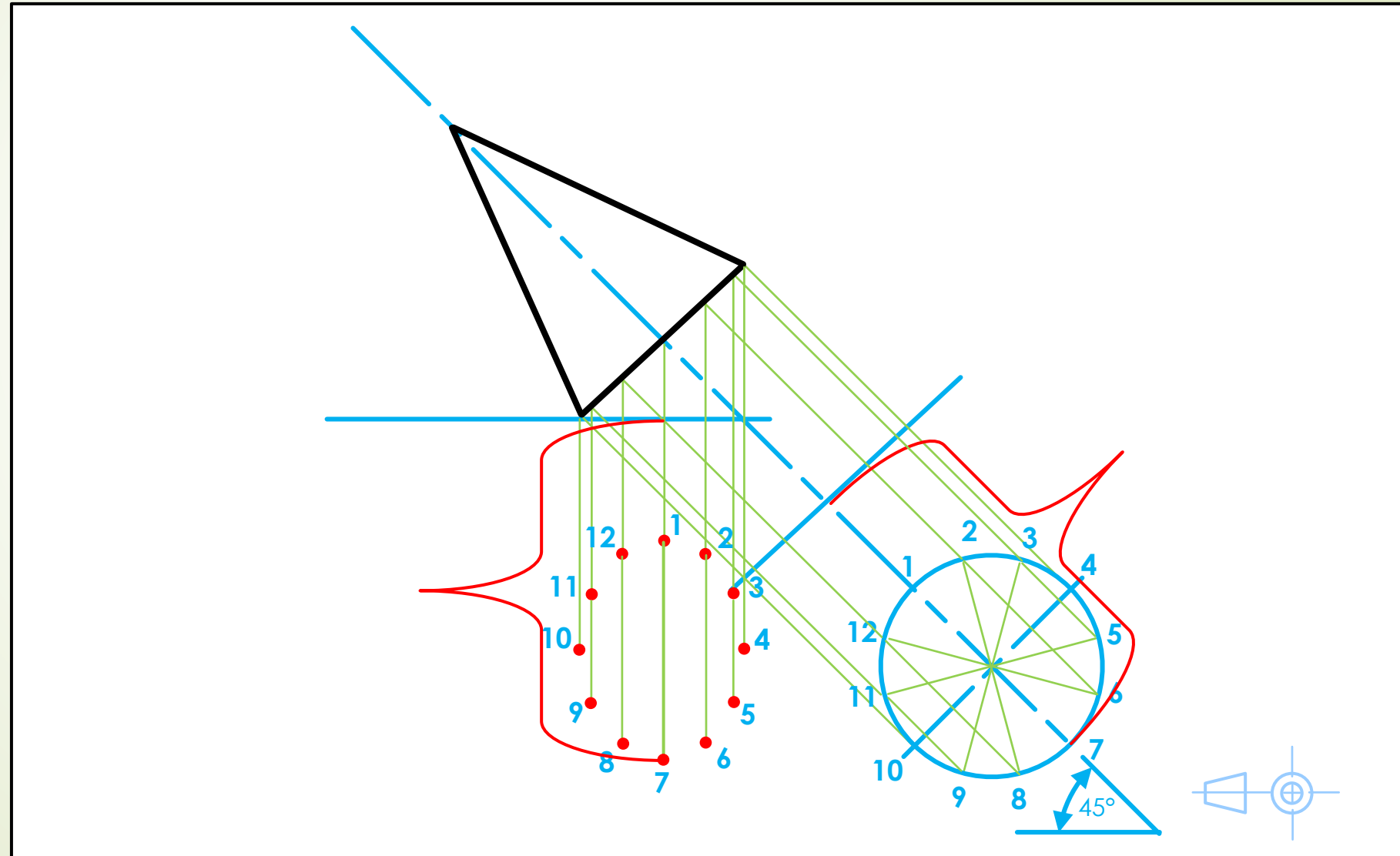
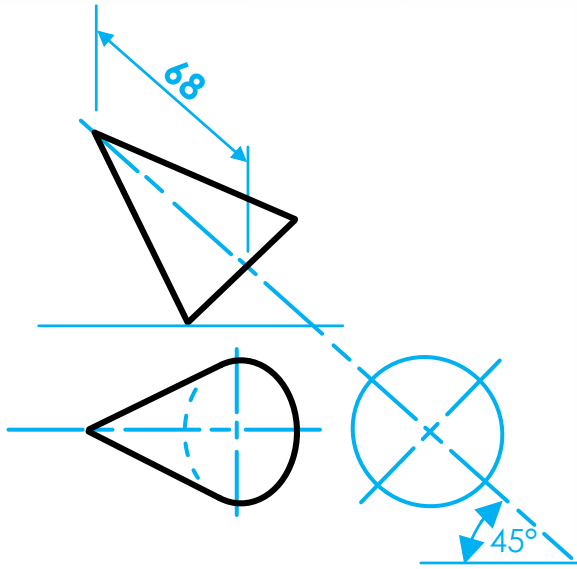
Application on cylinders and cones



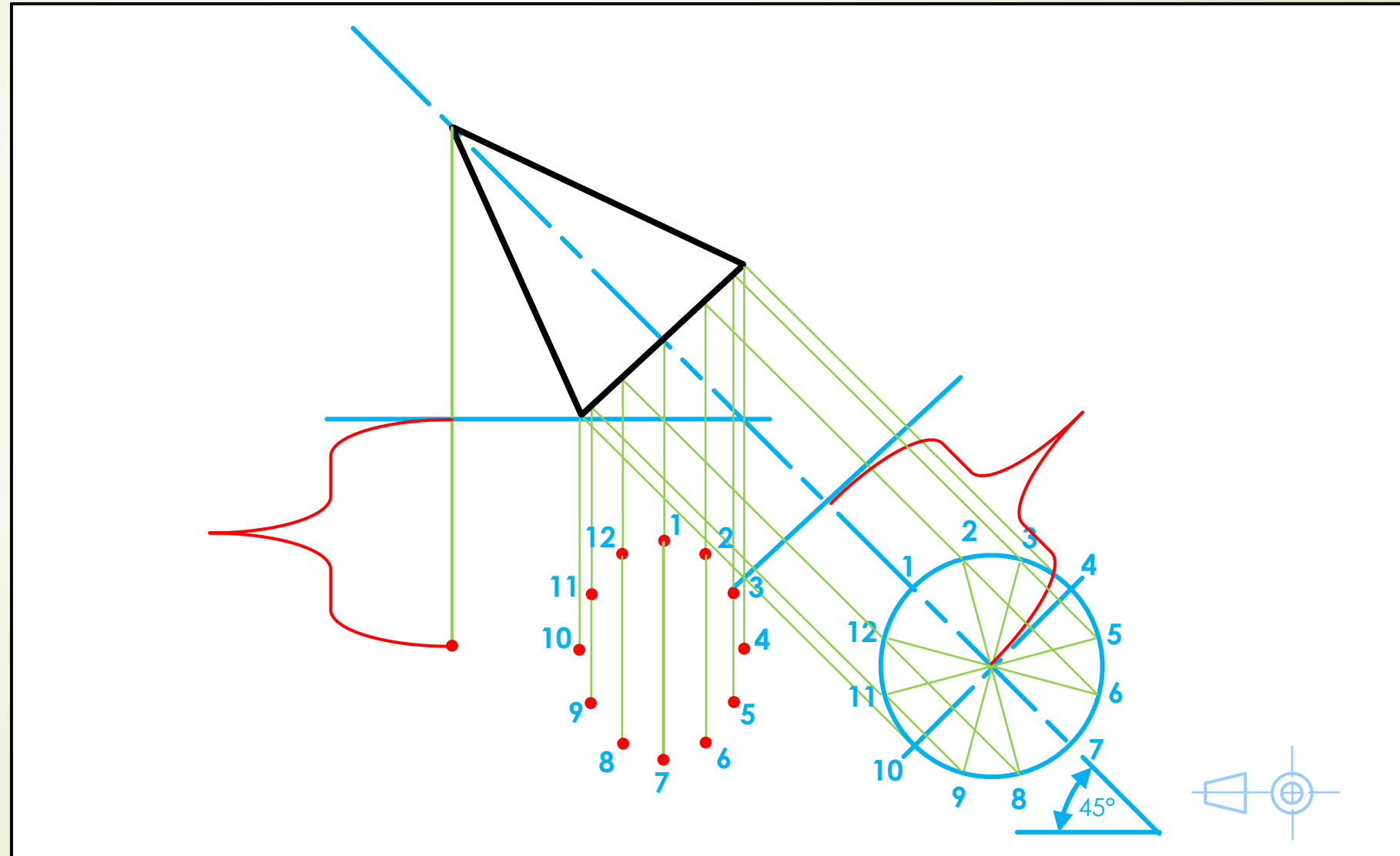
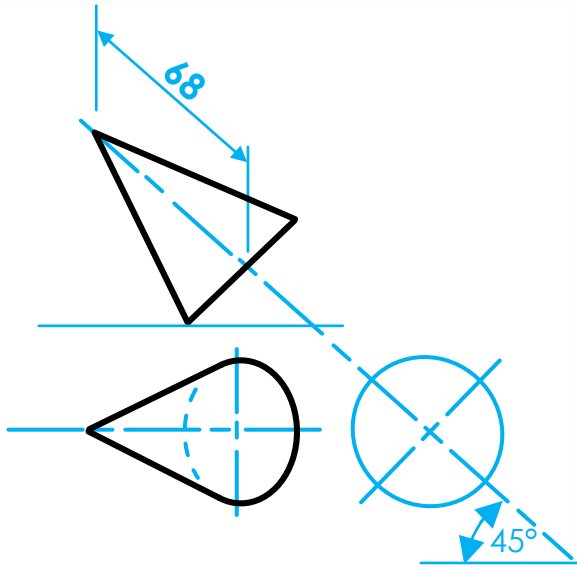
Application on cylinders and cones



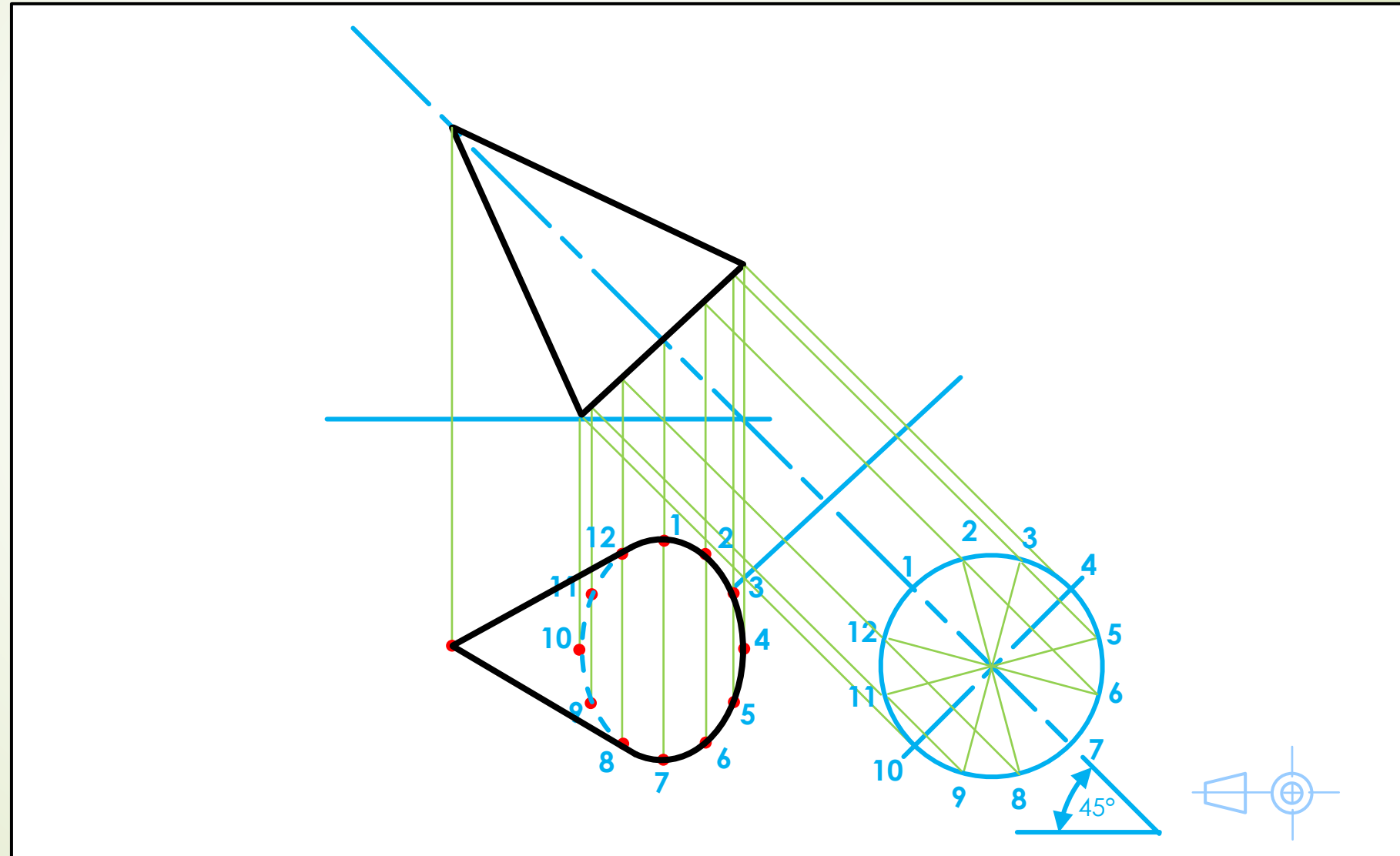
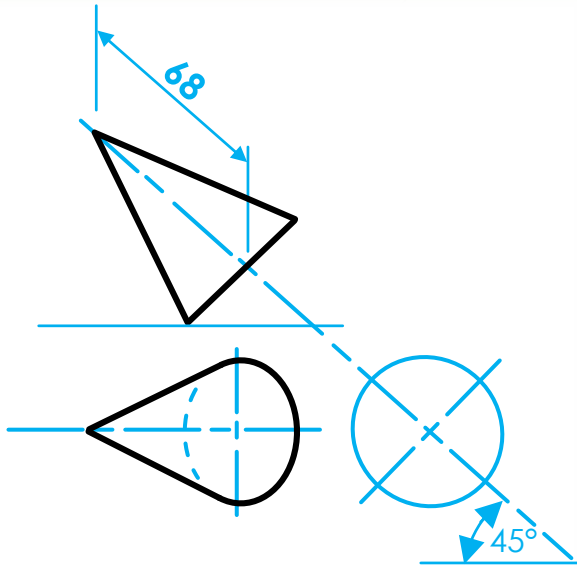
Application on cylinders and cones



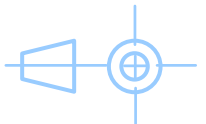
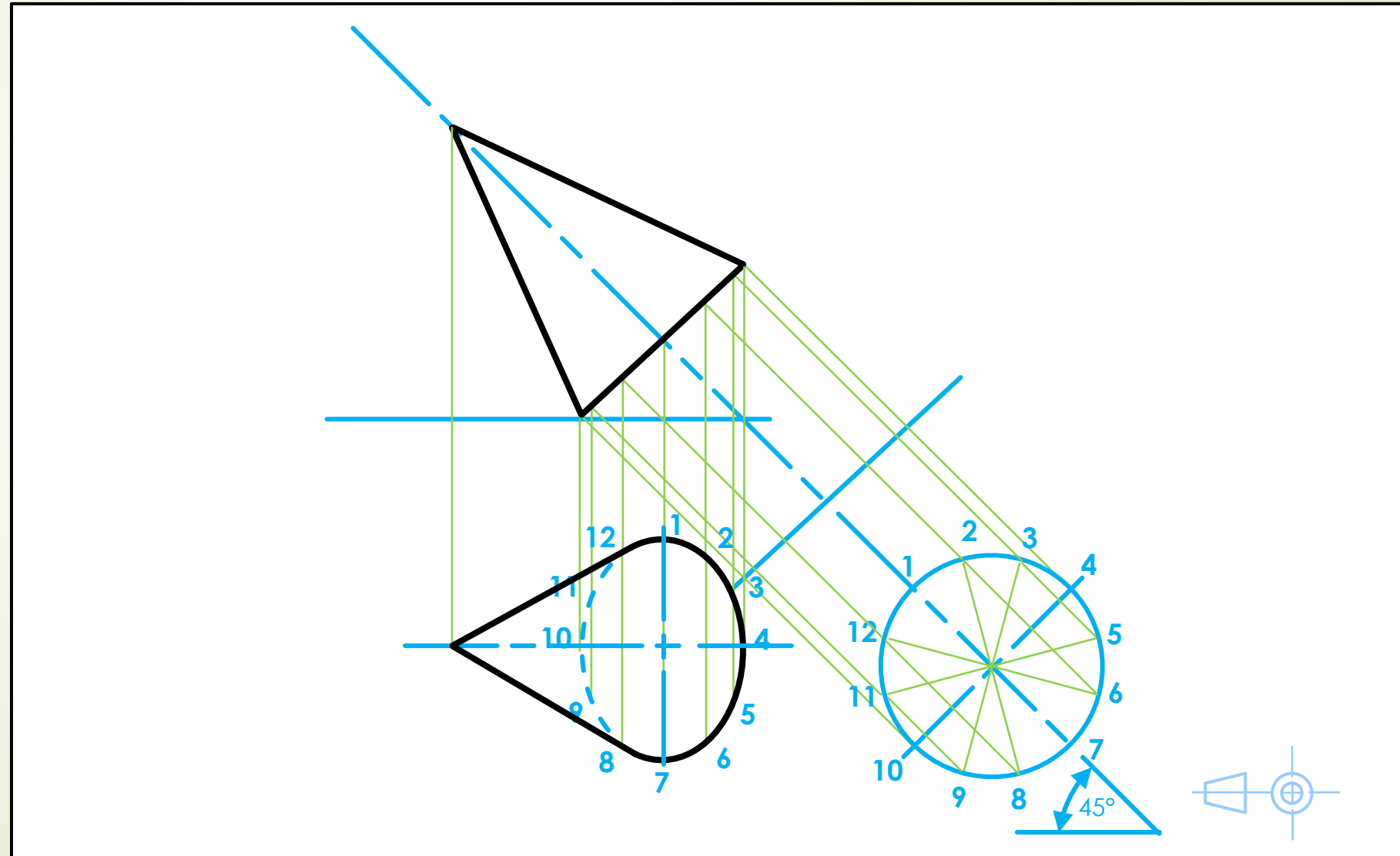
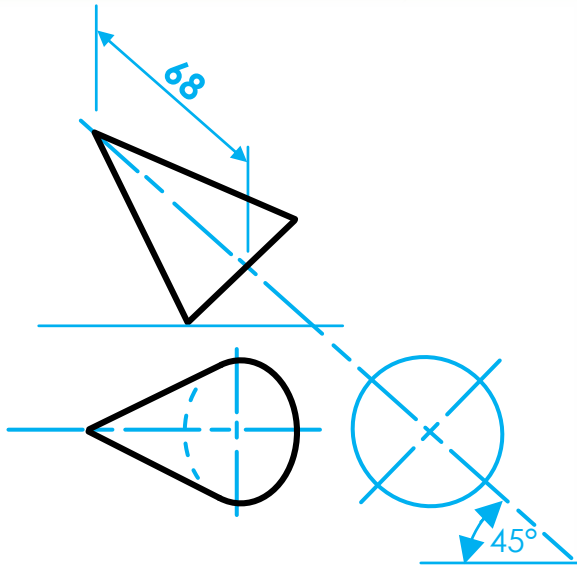
Application on cylinders and cones



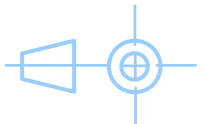
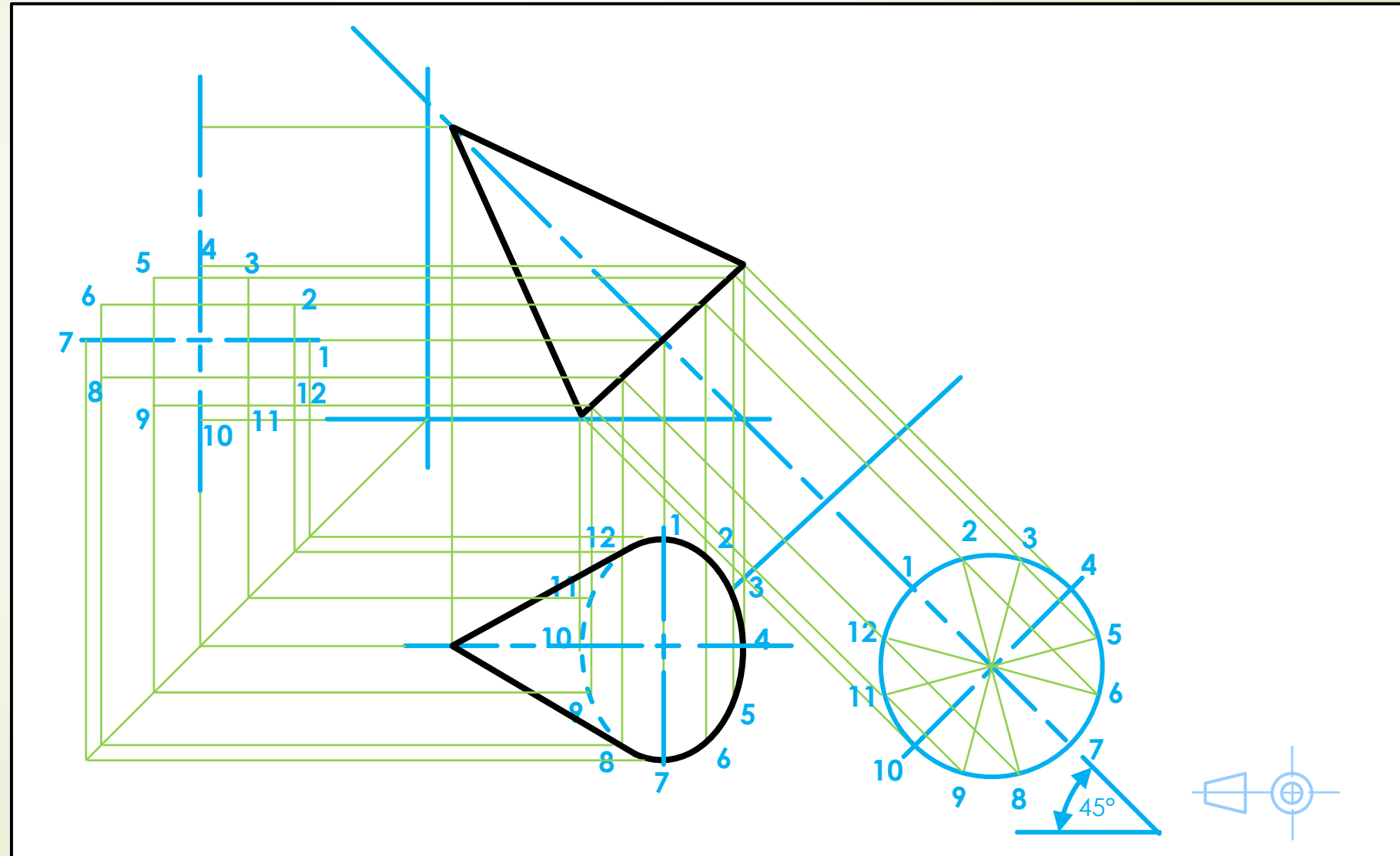
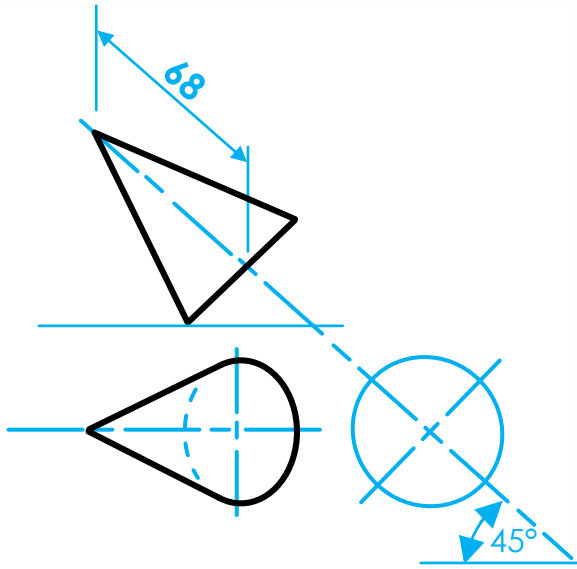
Application on cylinders and cones



Application on cylinders and cones



Application on cylinders and cones



Application on cylinders and cones

