



Application on polygons

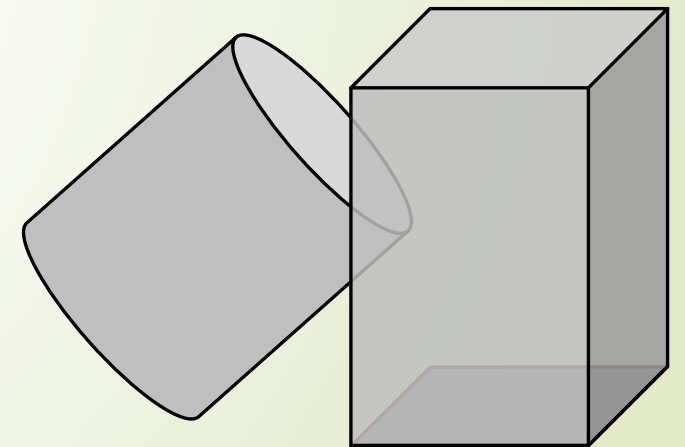
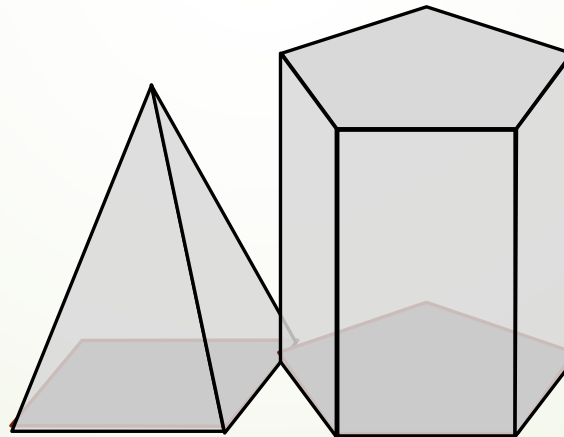
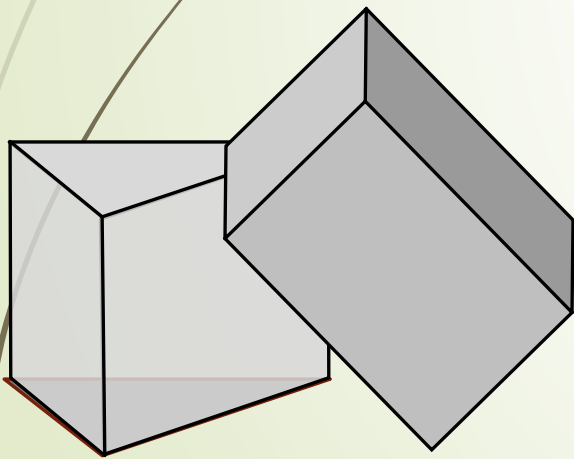
A combination of prisms, pyramids, cones and cylinders

Grade 12

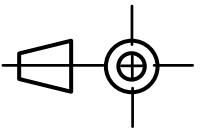
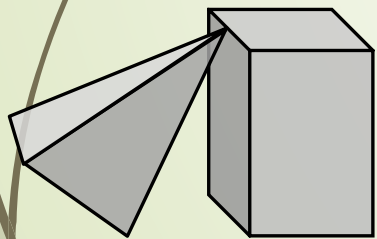
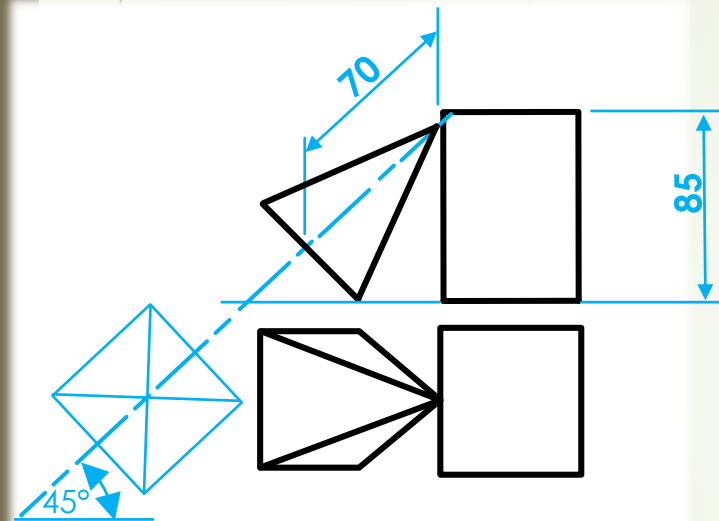
Developed by: PC Viljoen
Senior Educational Specialist for
Engineering Graphics and Design
Free State Province

Application on pyramids, prisms, cones and cylinders

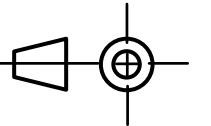
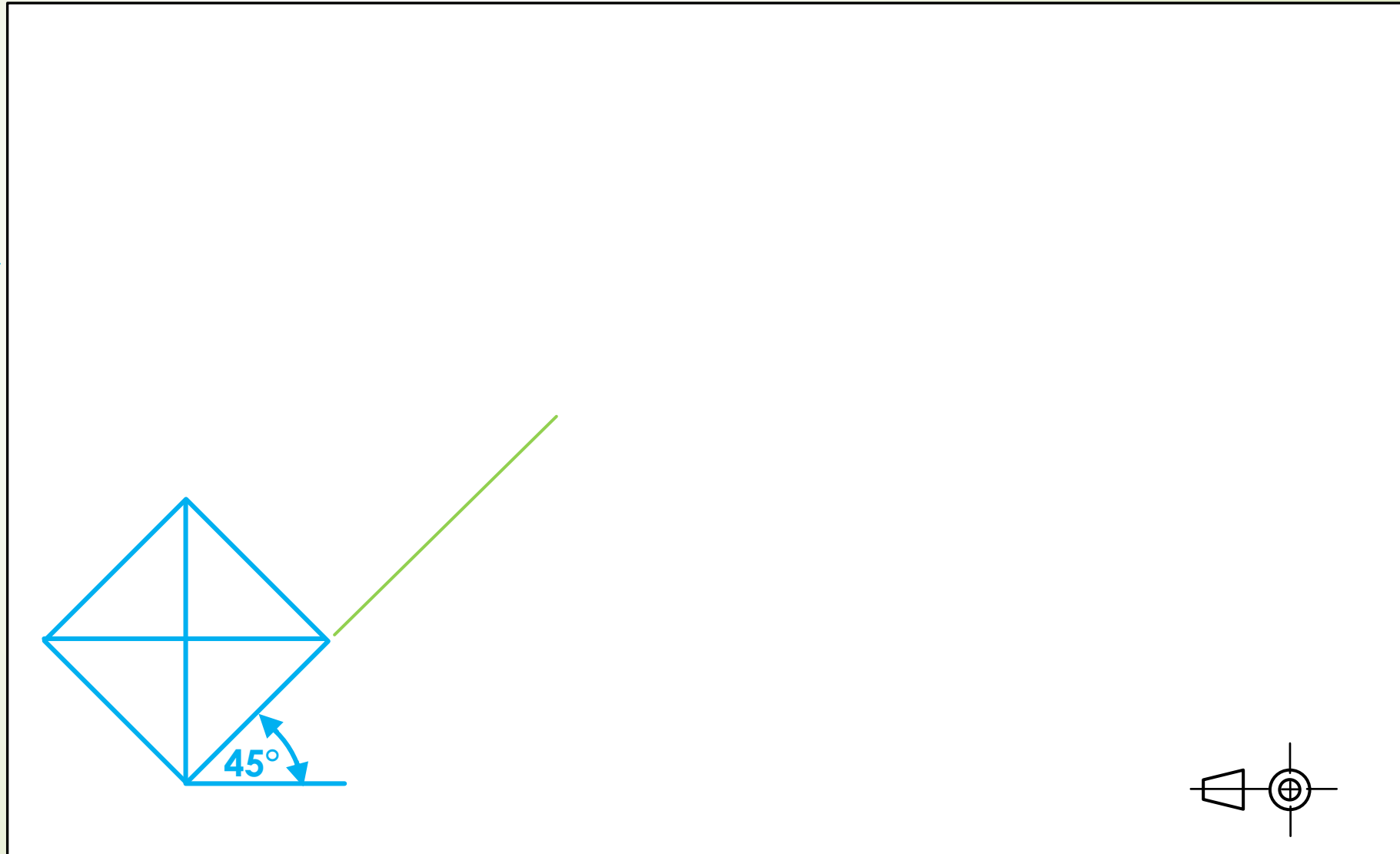
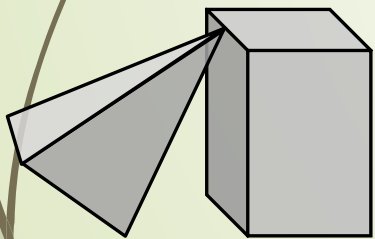
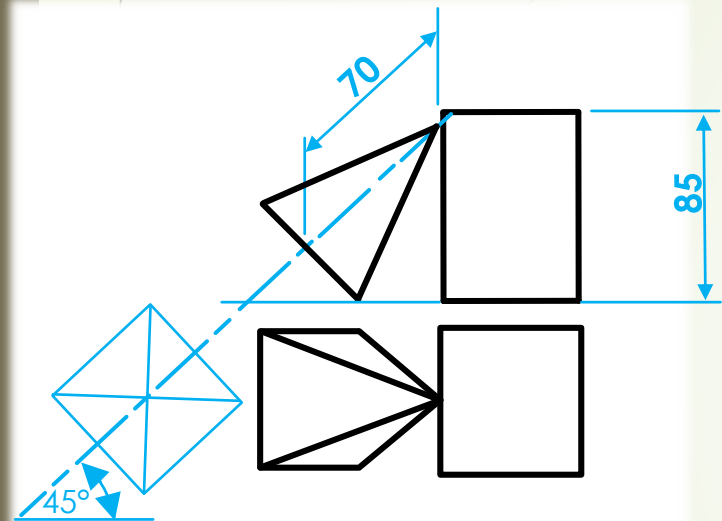
- ➔ Draw inclined pyramids, prisms, cones and cylinders in first angle orthographic projection.



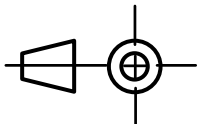
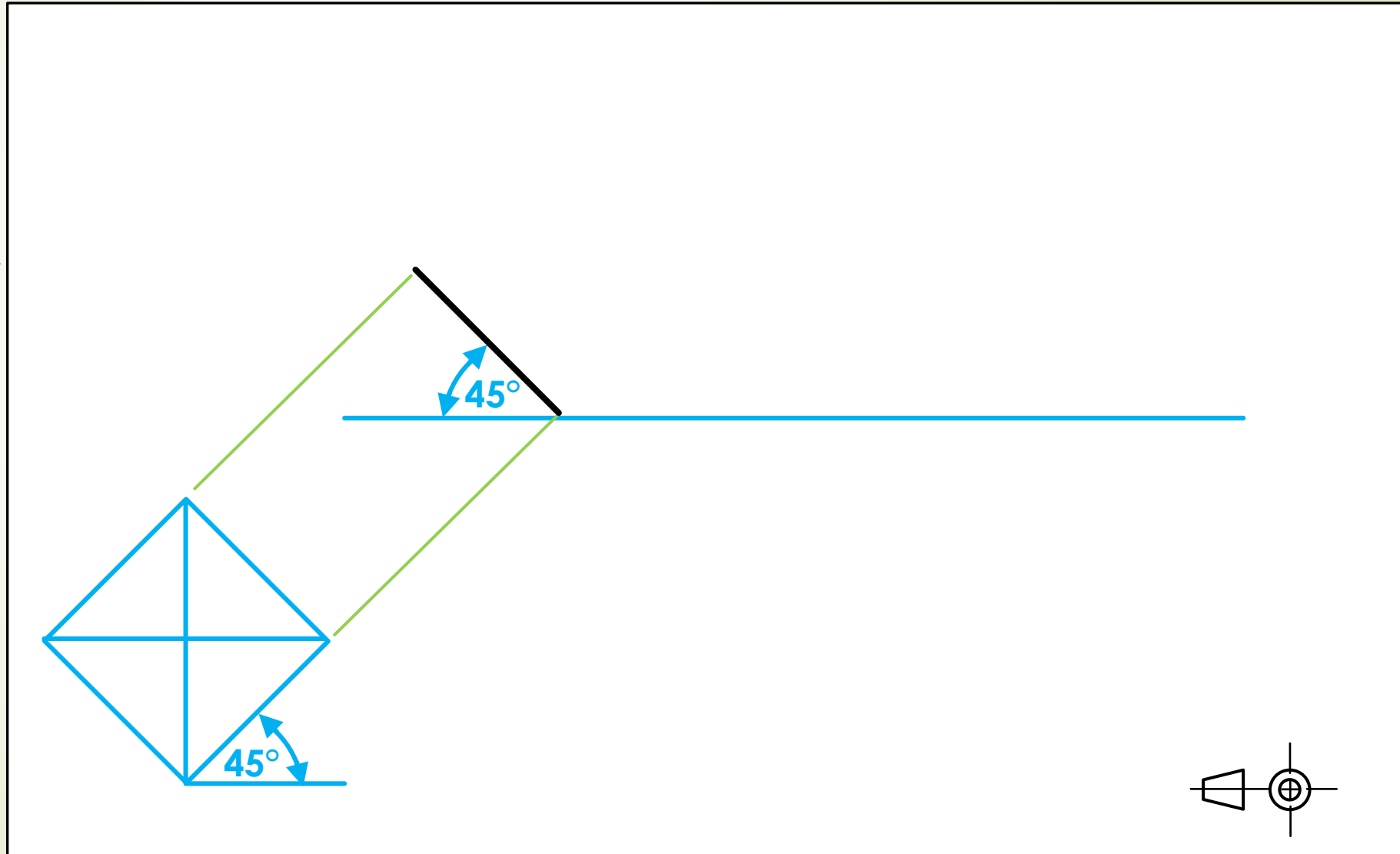
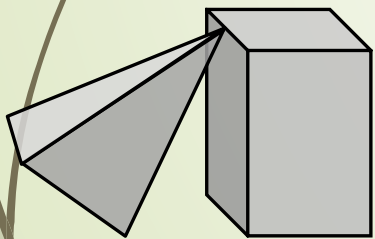
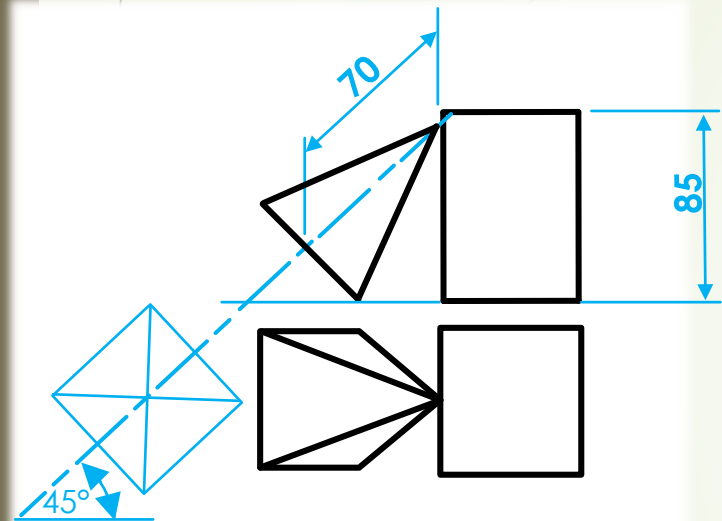
A combination of pyramids, prisms, cones and cylinders



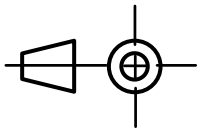
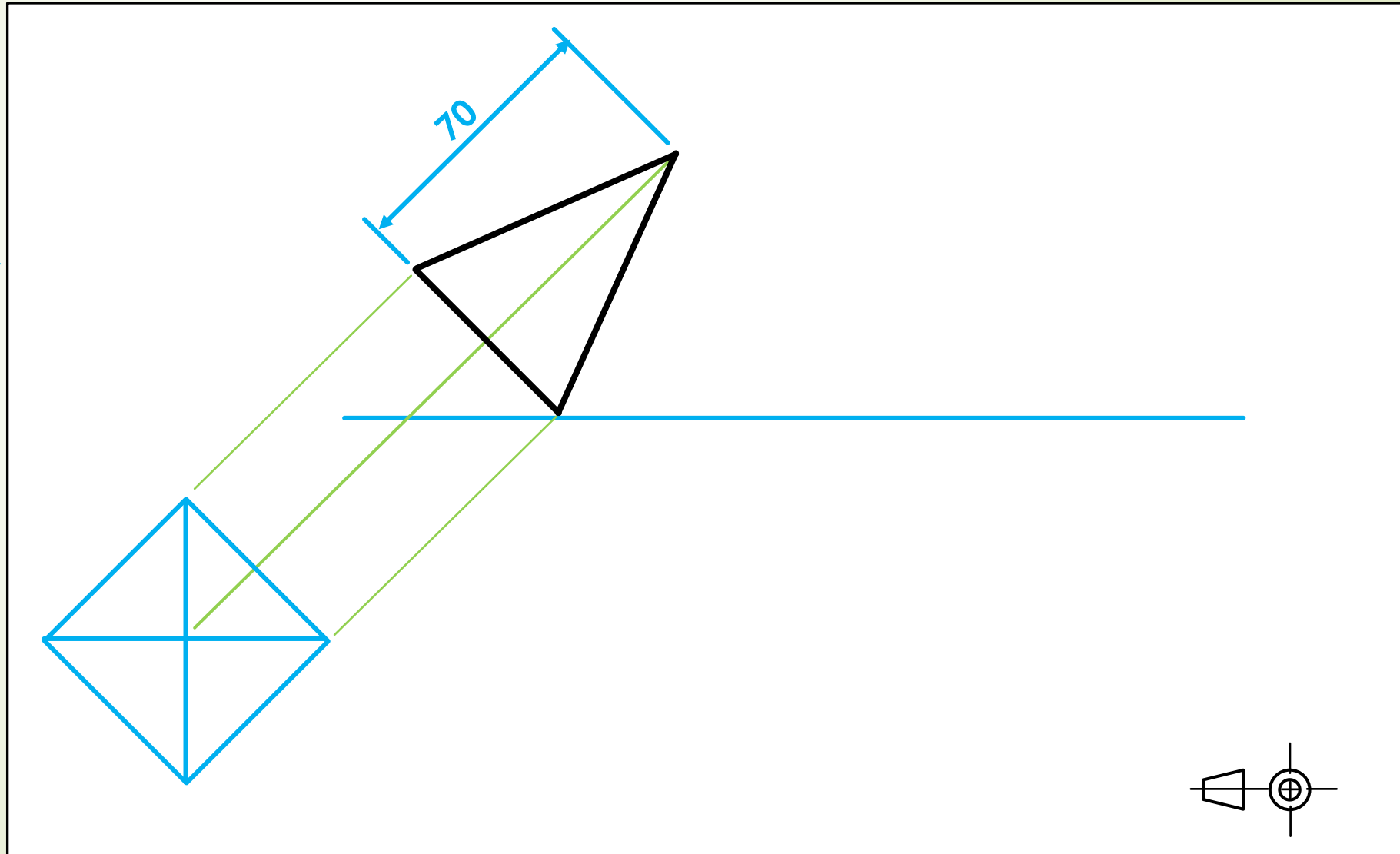
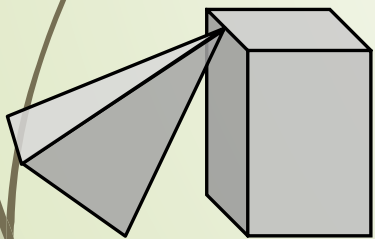
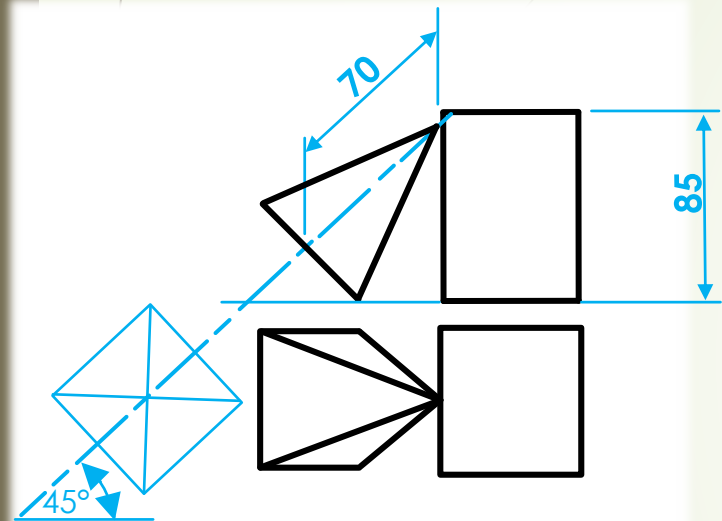
A combination of pyramids, prisms, cones and cylinders



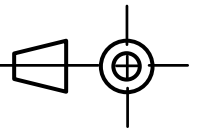
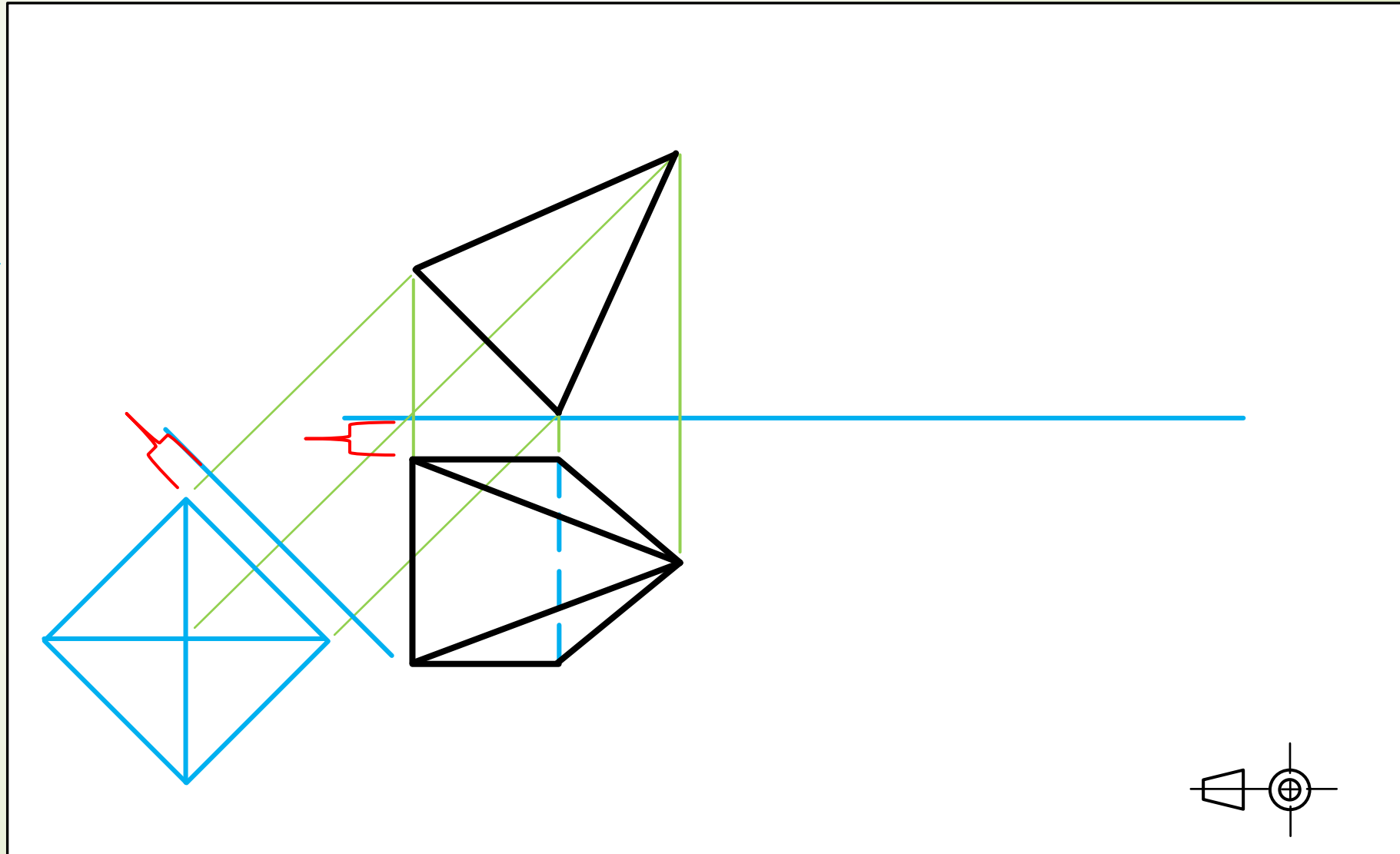
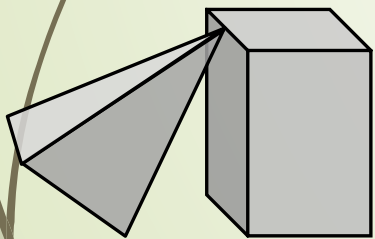
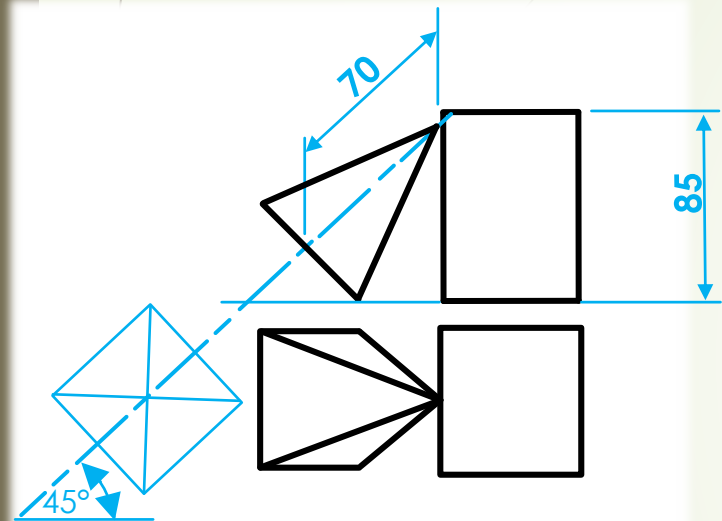
A combination of pyramids, prisms, cones and cylinders



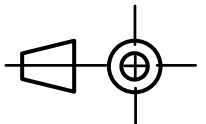
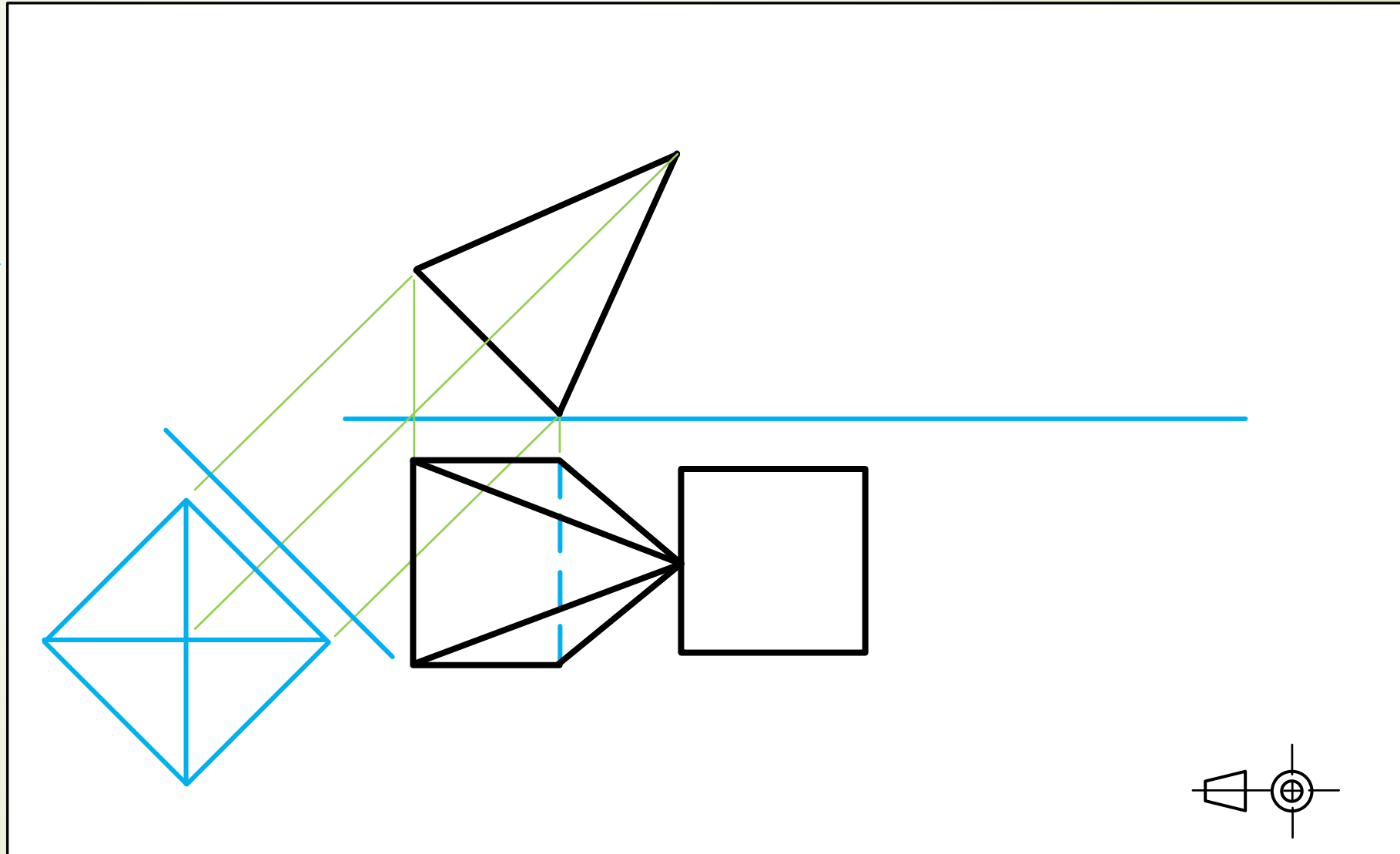
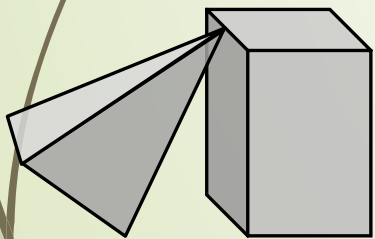
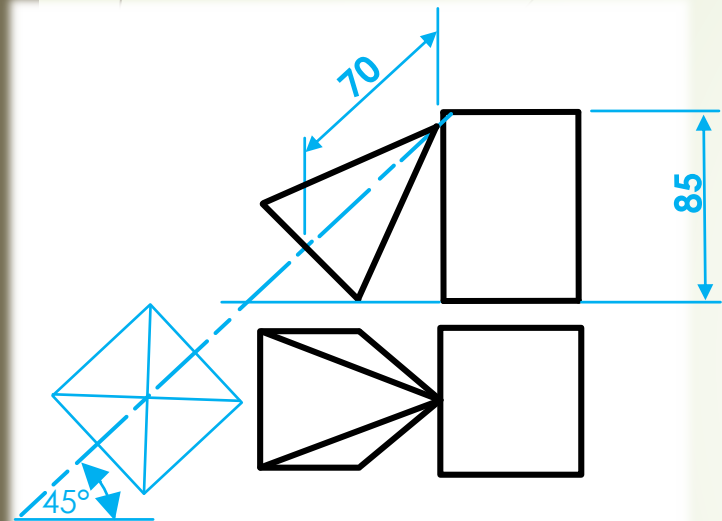
A combination of pyramids, prisms, cones and cylinders



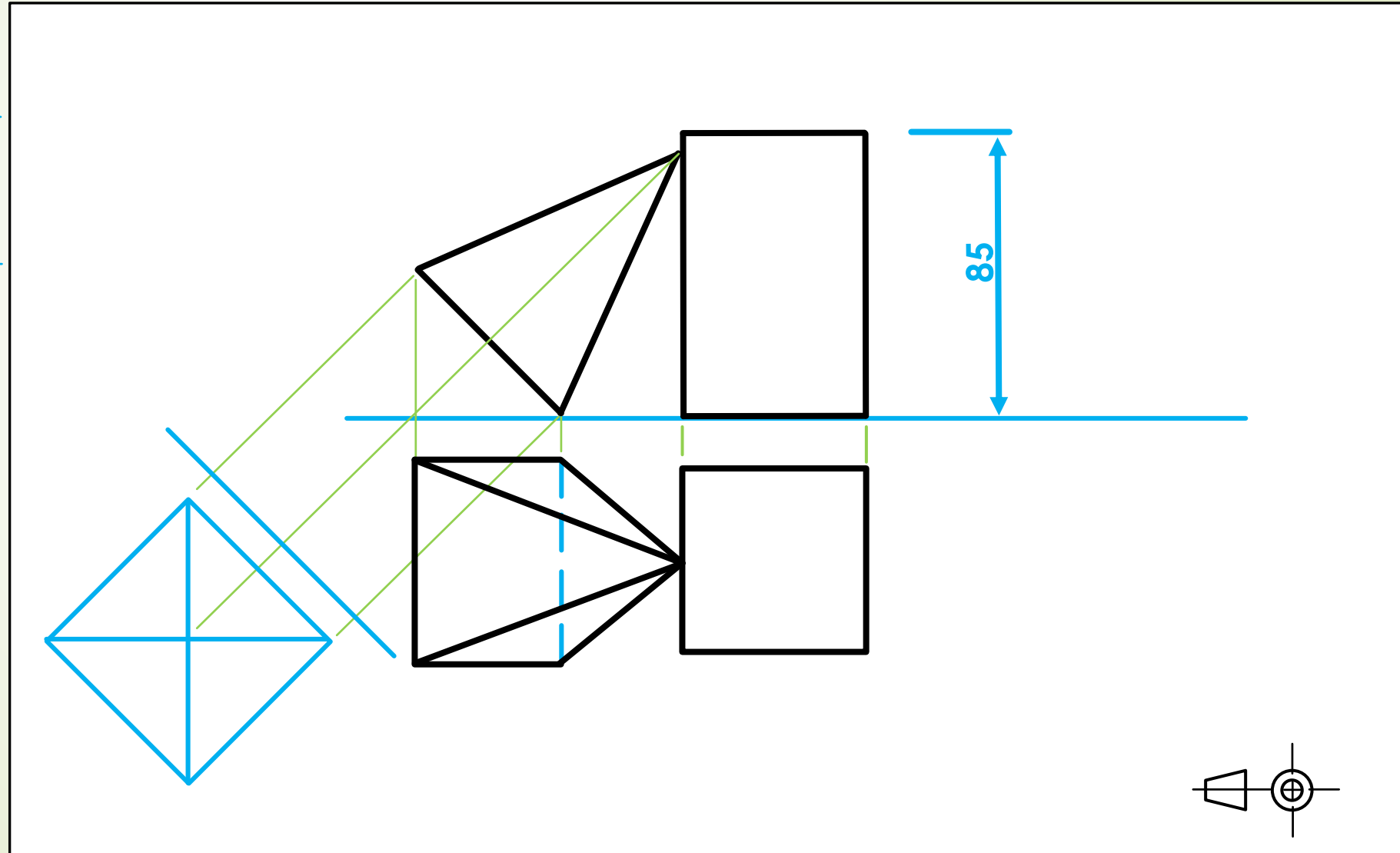
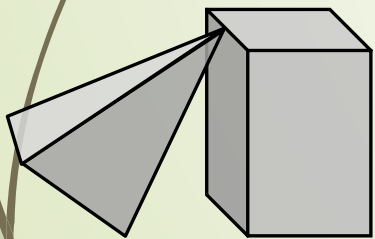
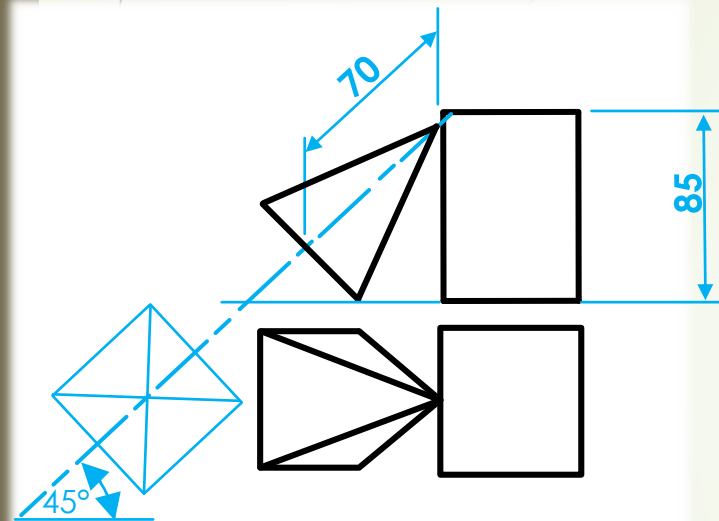
A combination of pyramids, prisms, cones and cylinders



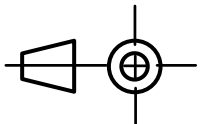
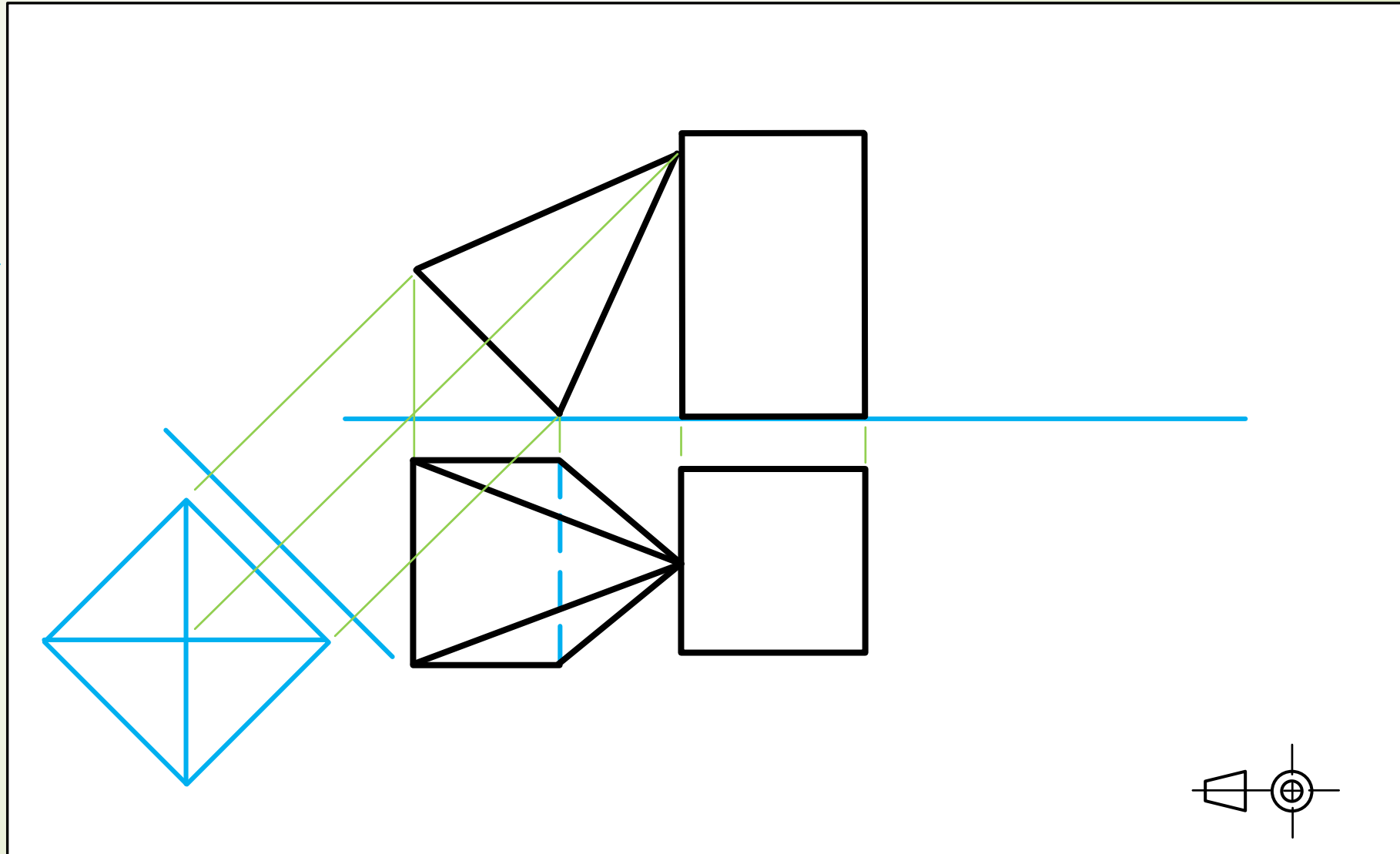
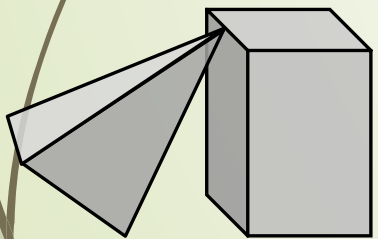
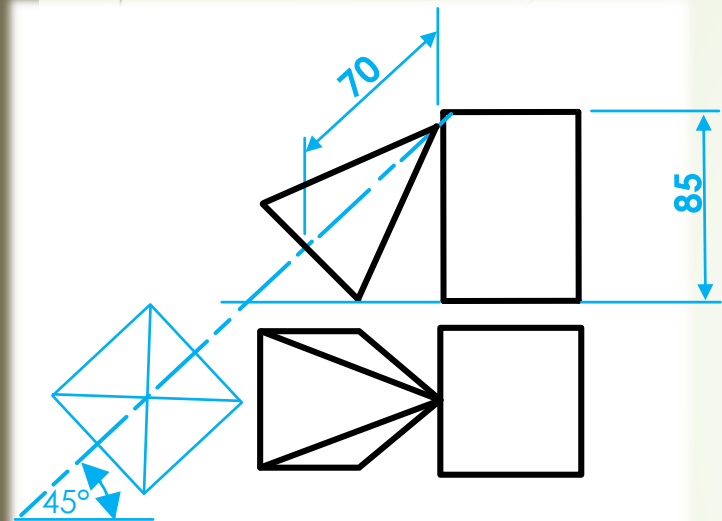
A combination of pyramids, prisms, cones and cylinders



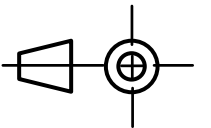
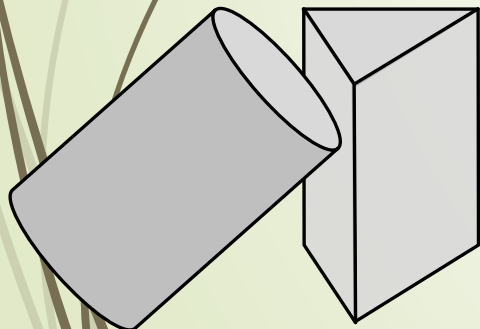
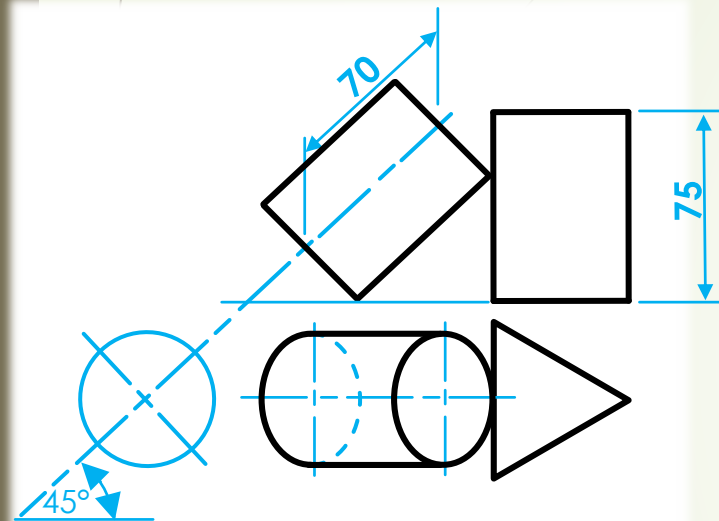
A combination of pyramids, prisms, cones and cylinders



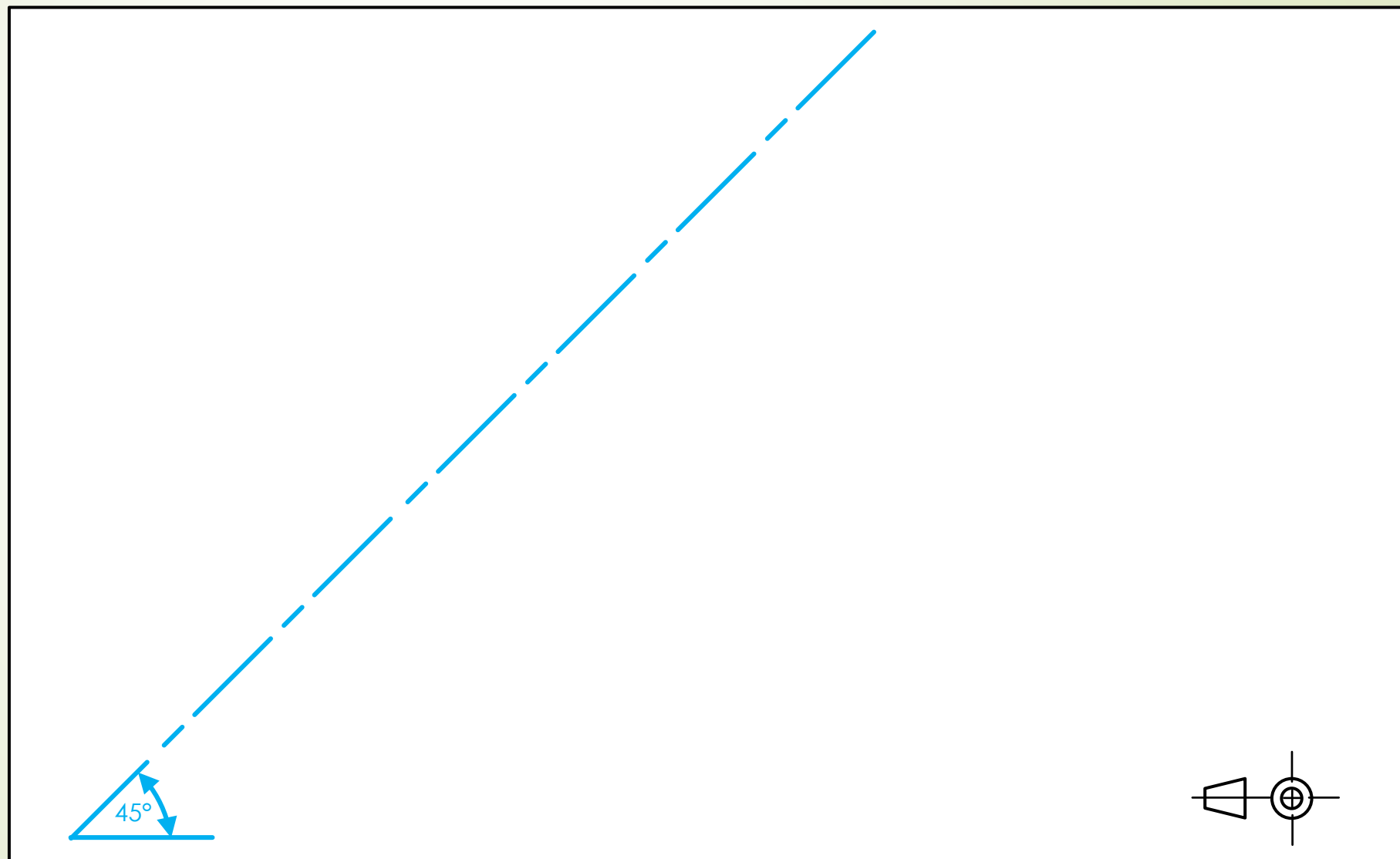
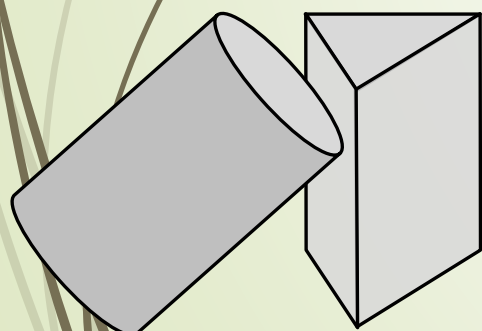
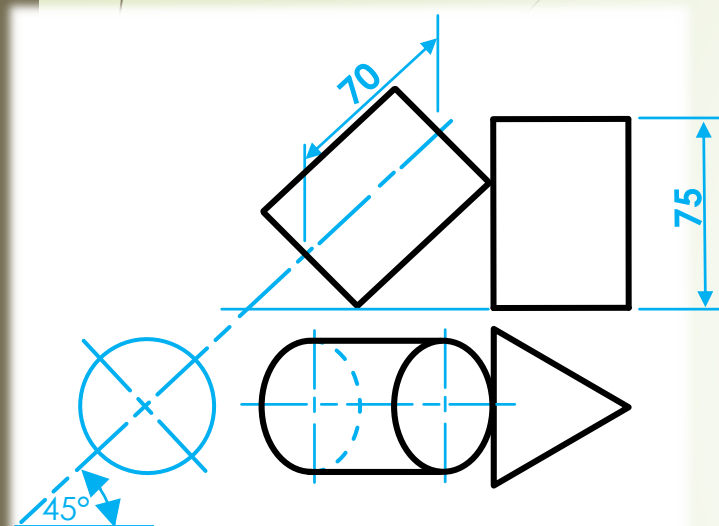
A combination of pyramids, prisms, cones and cylinders



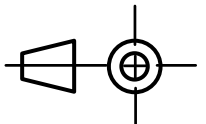
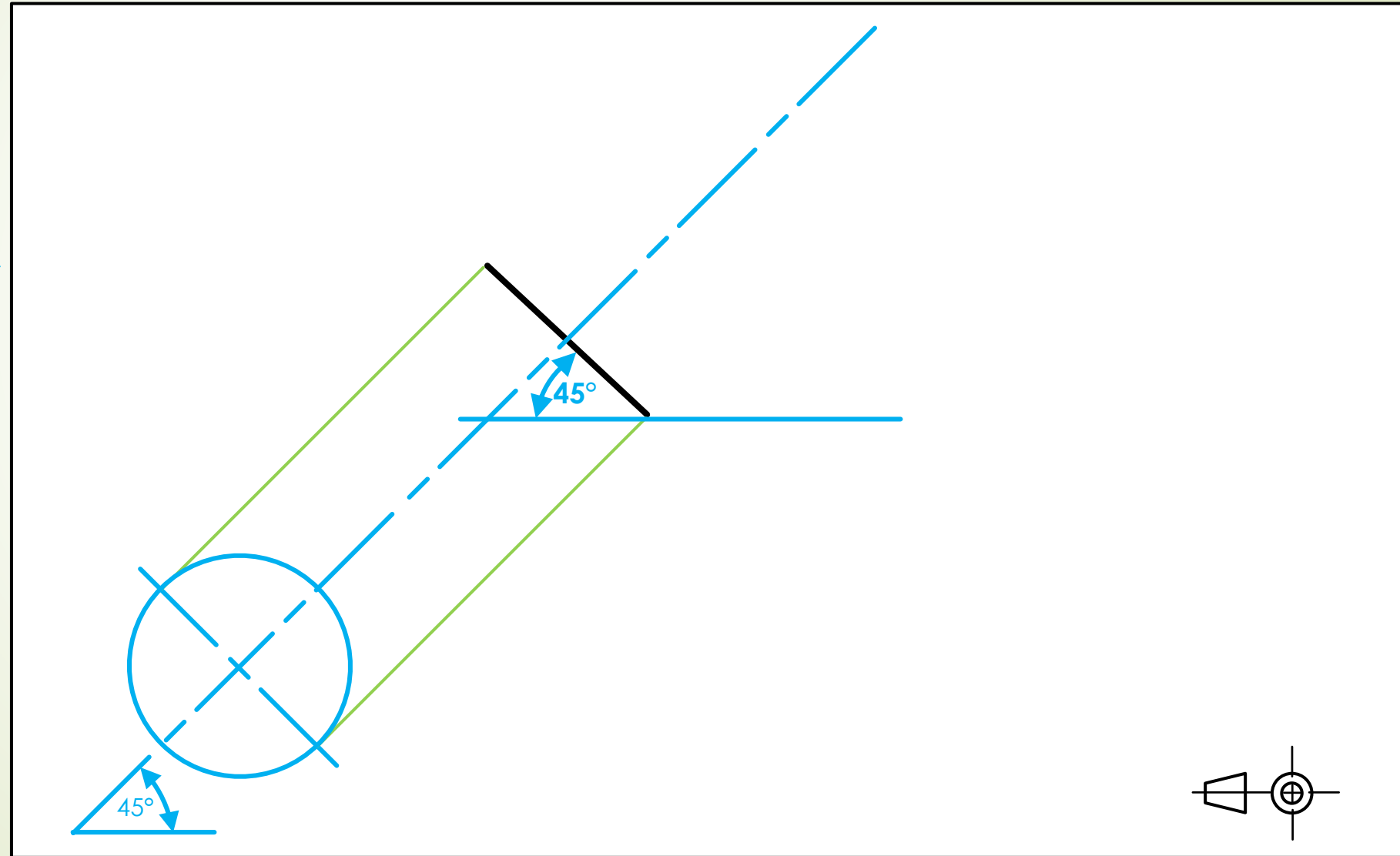
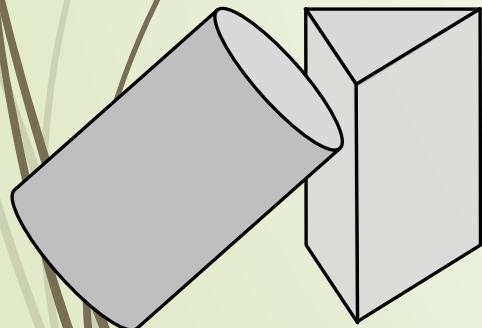
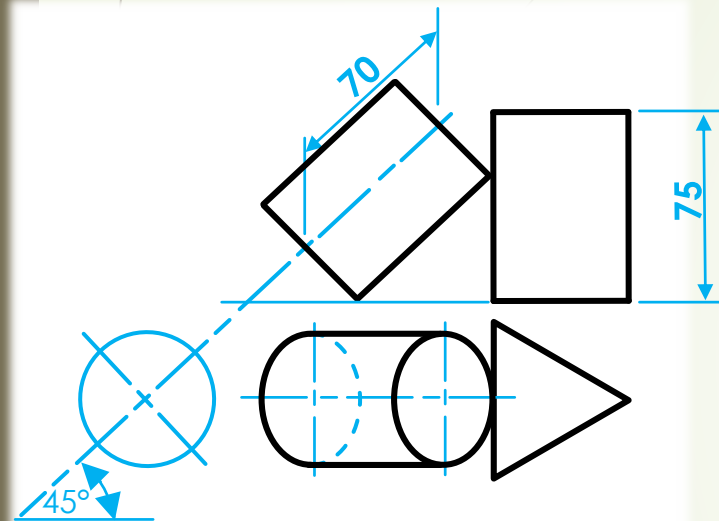
A combination of pyramids, prisms, cones and cylinders



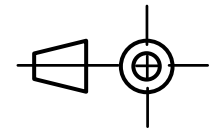
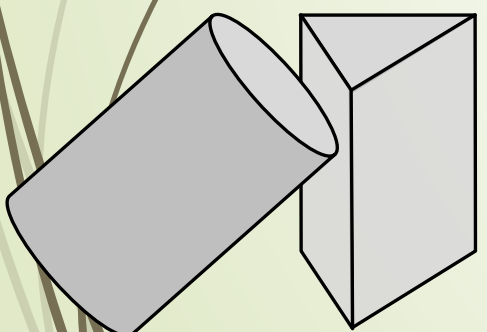
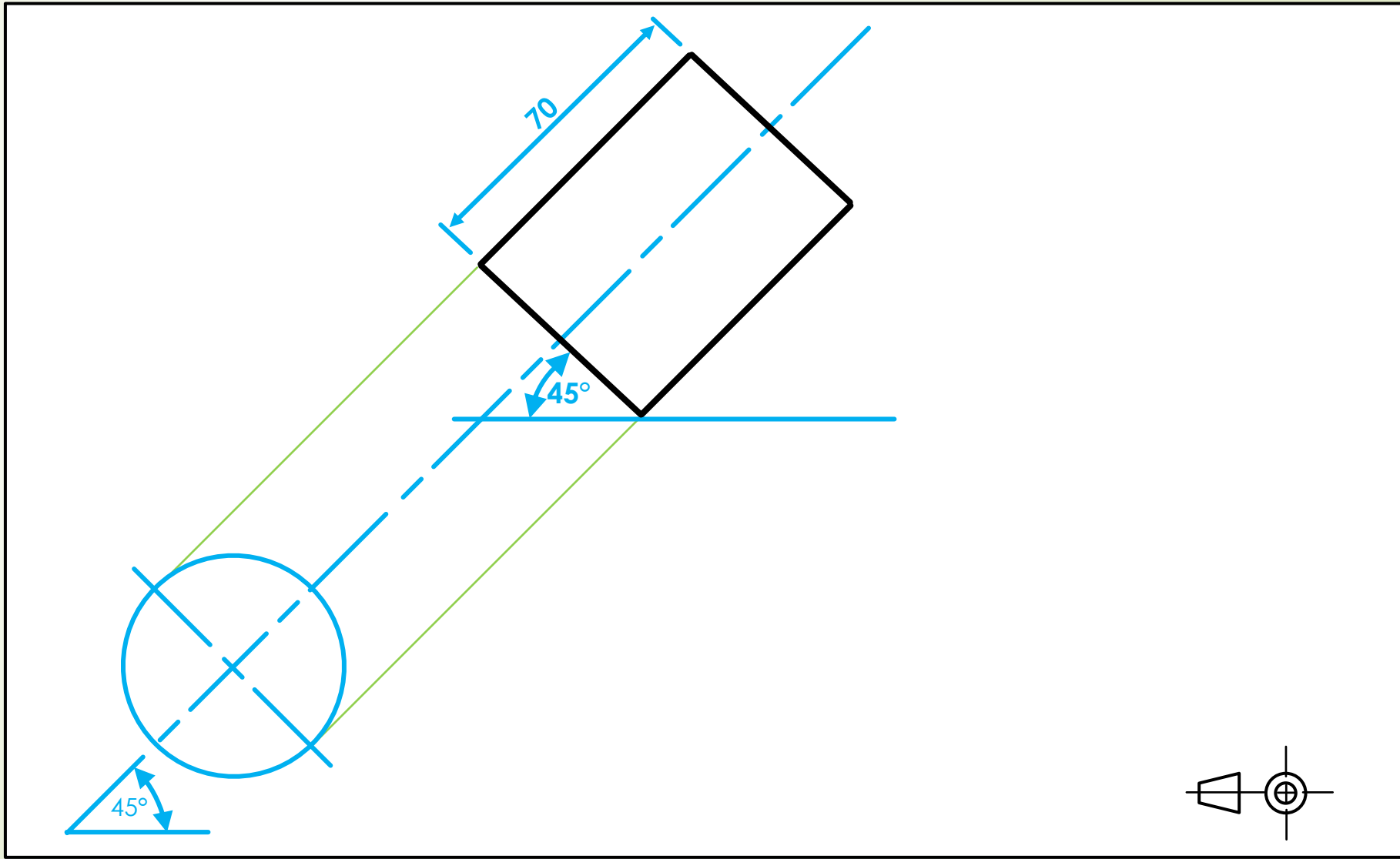
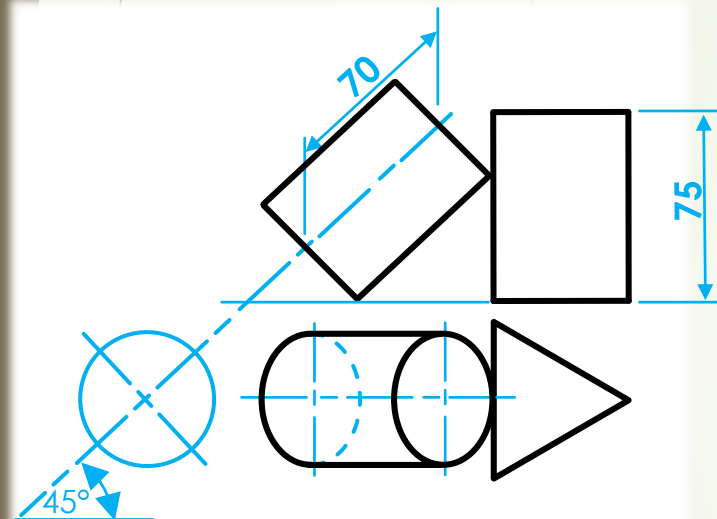
A combination of pyramids, prisms, cones and cylinders



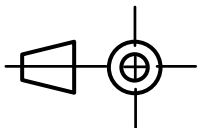
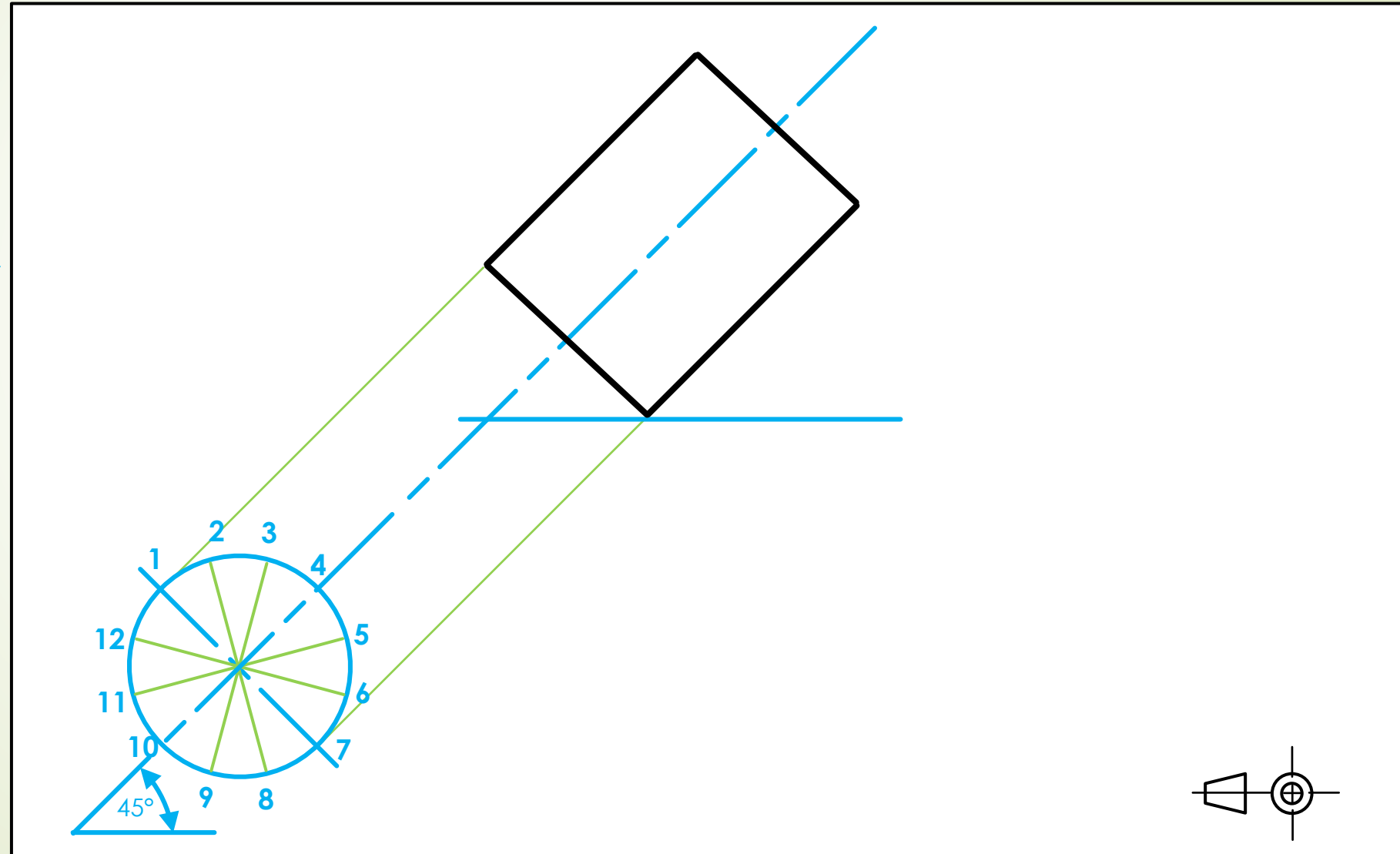
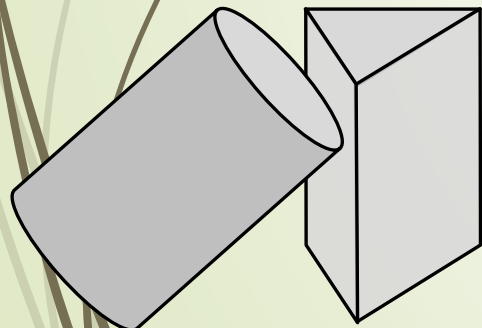
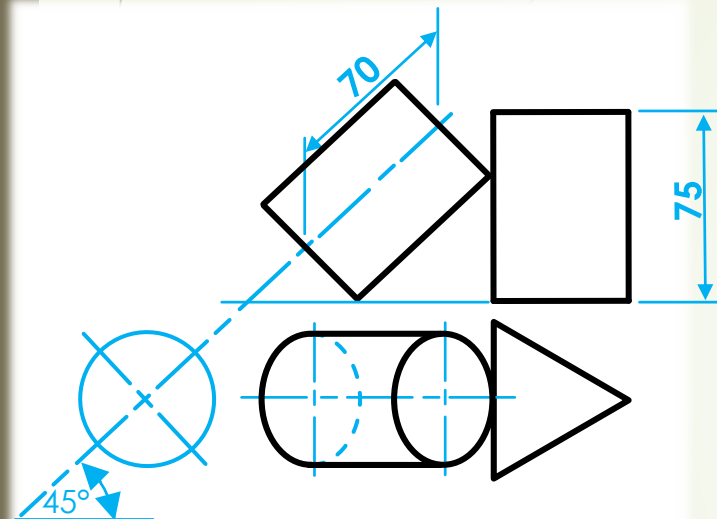
A combination of pyramids, prisms, cones and cylinders



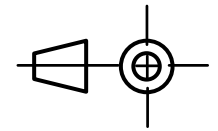
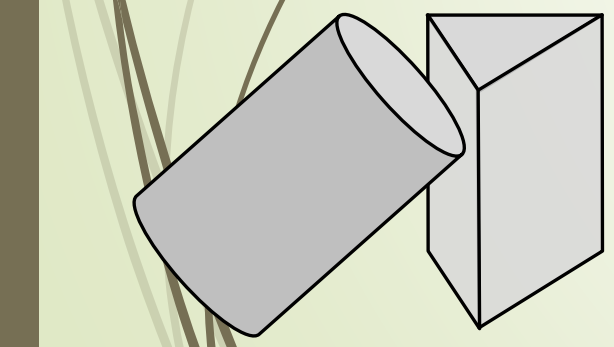
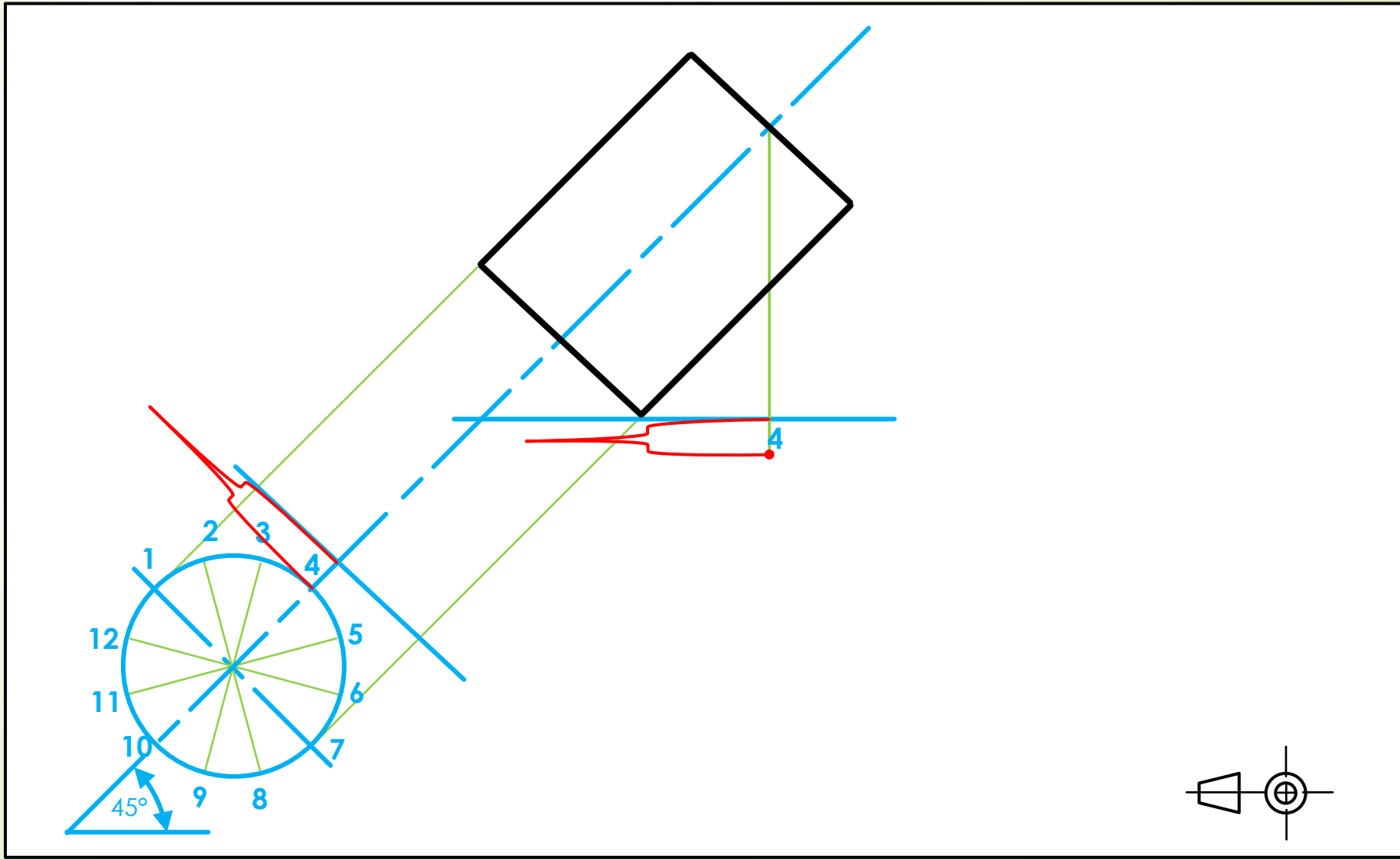
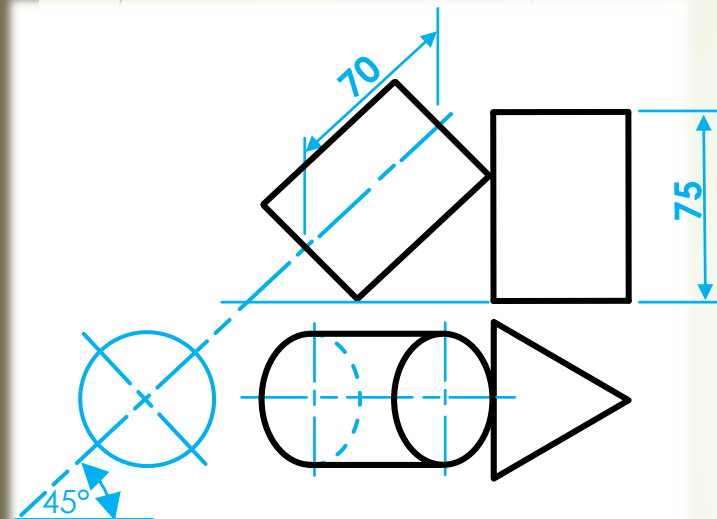
A combination of pyramids, prisms, cones and cylinders



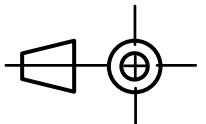
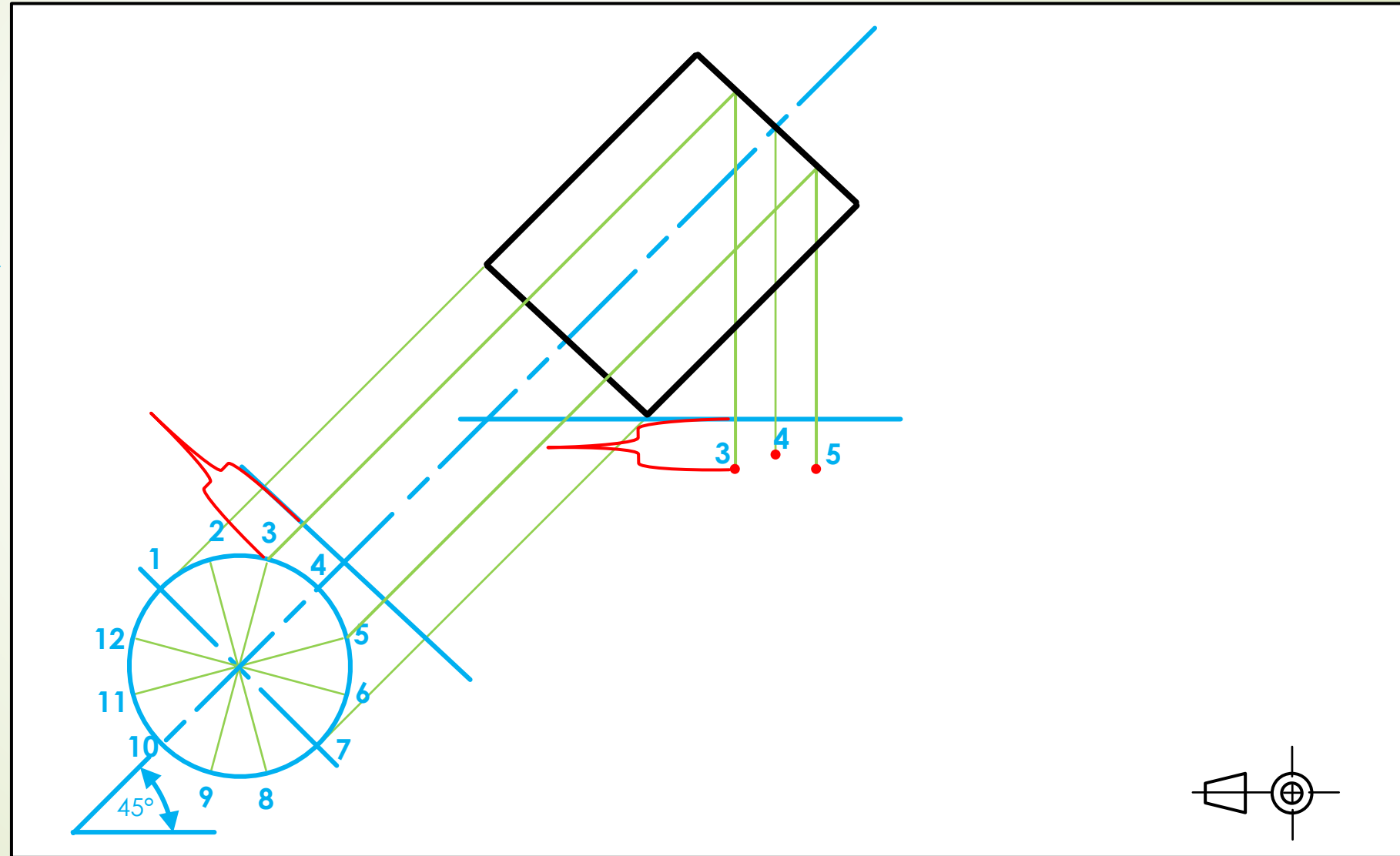
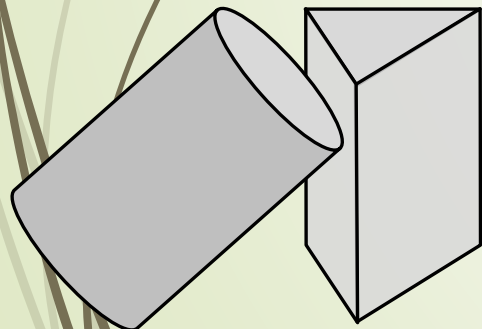
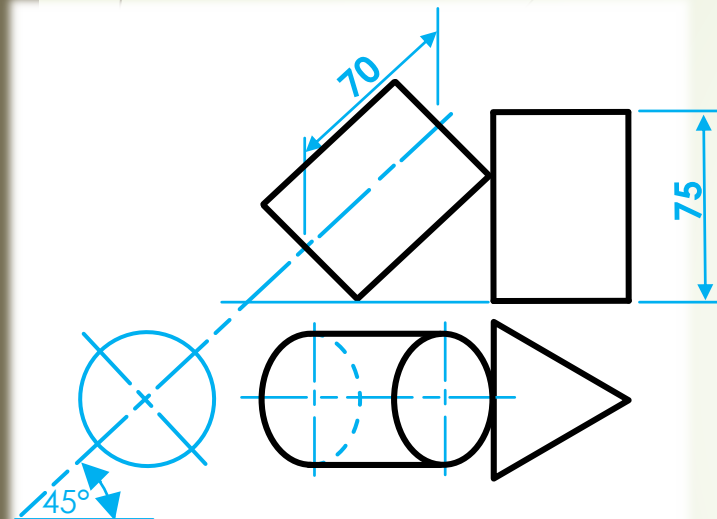
A combination of pyramids, prisms, cones and cylinders



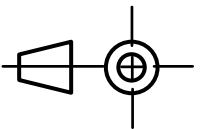
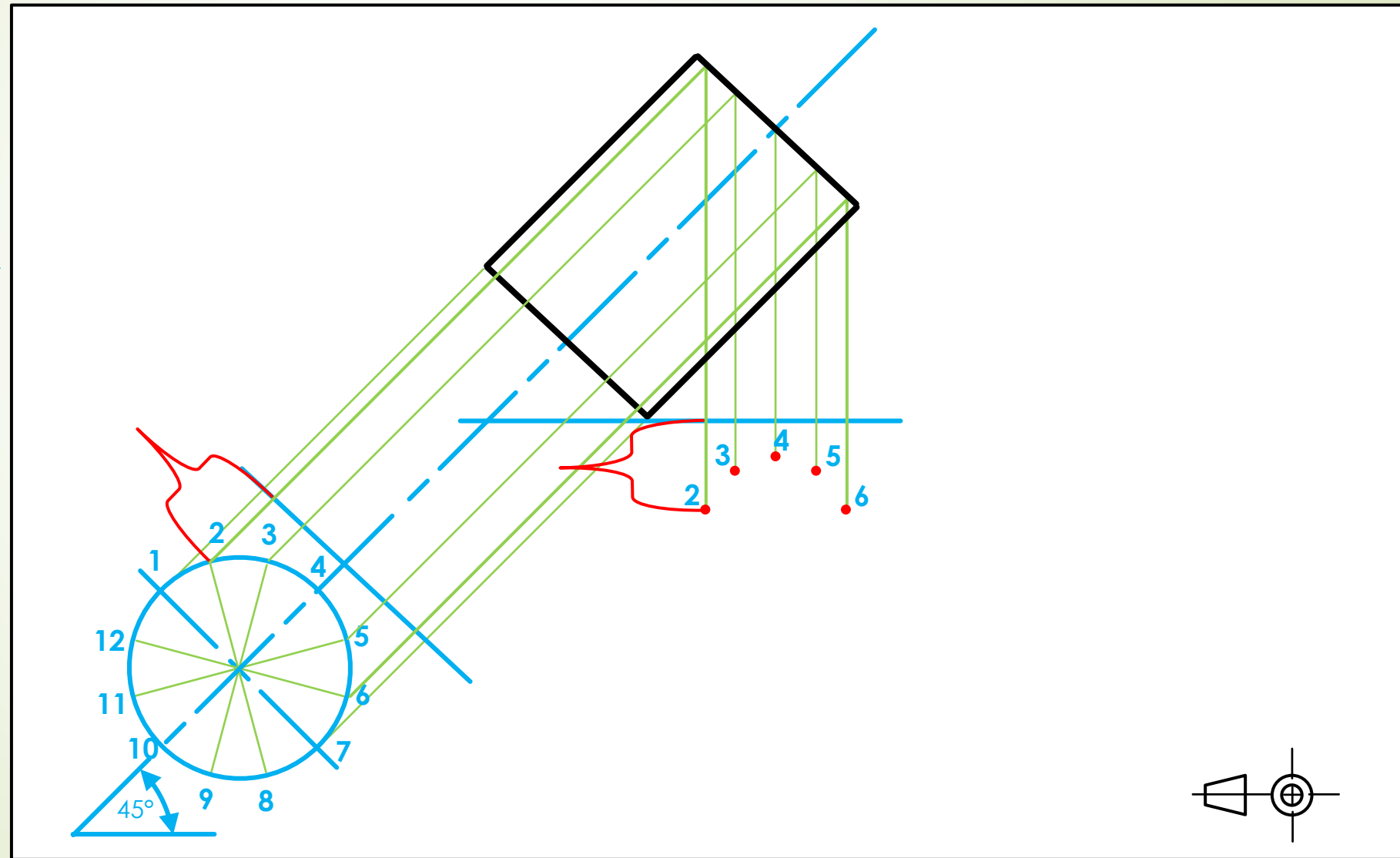
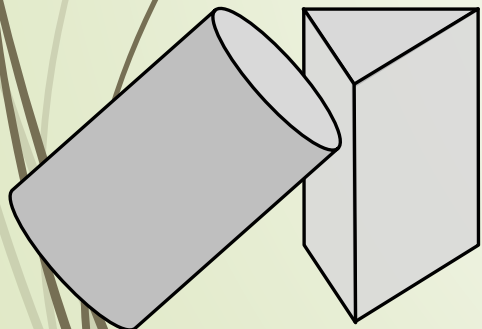
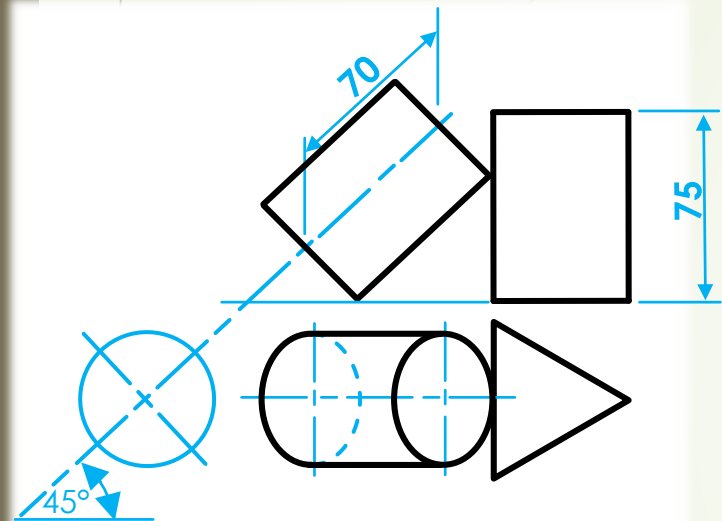
A combination of pyramids, prisms, cones and cylinders



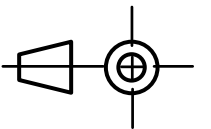
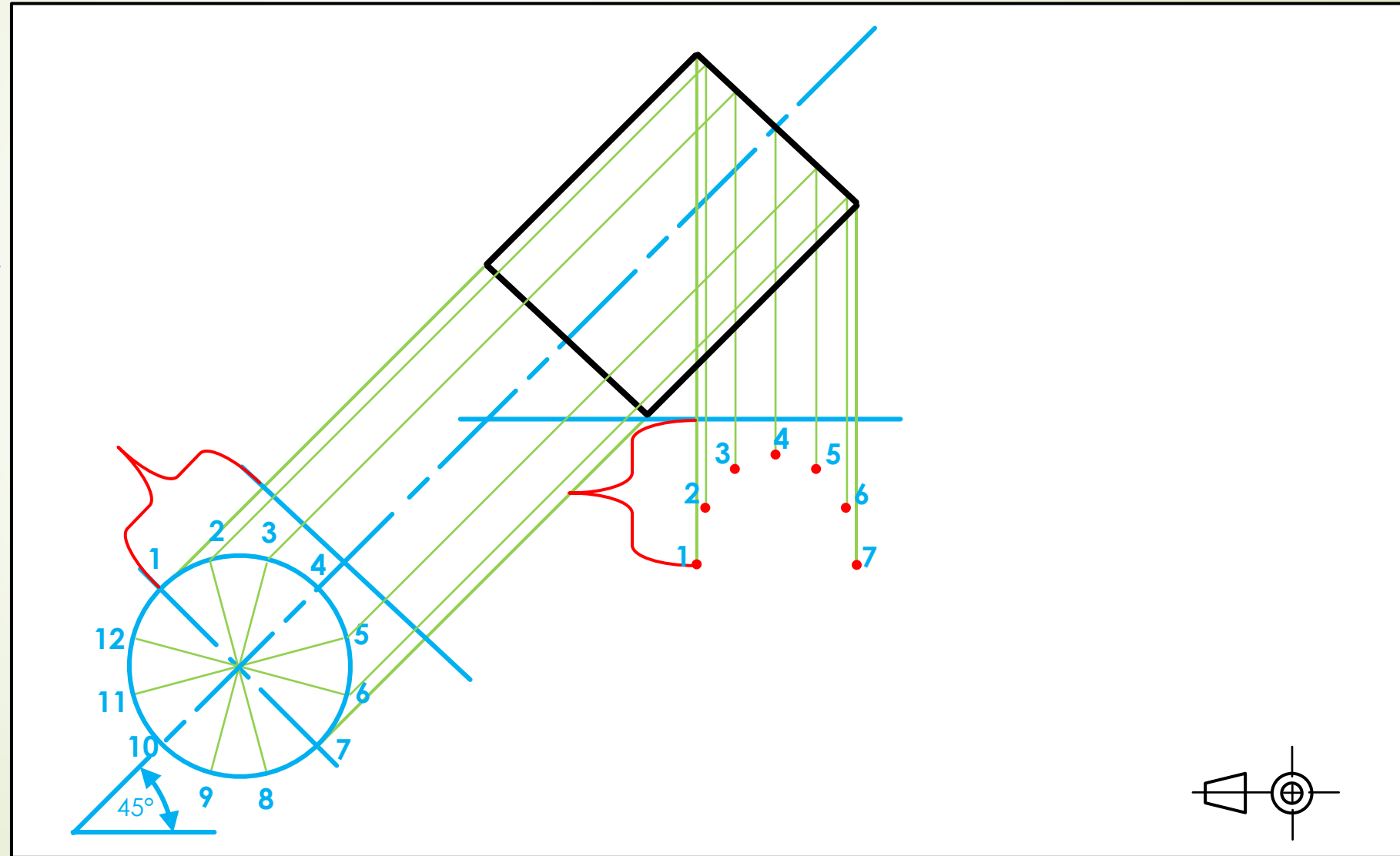
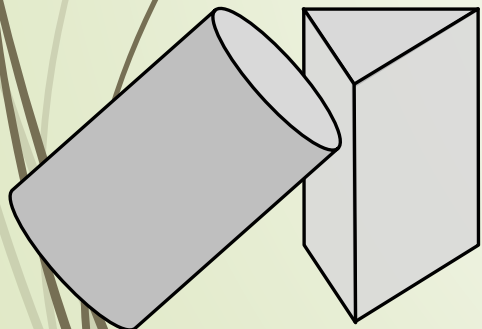
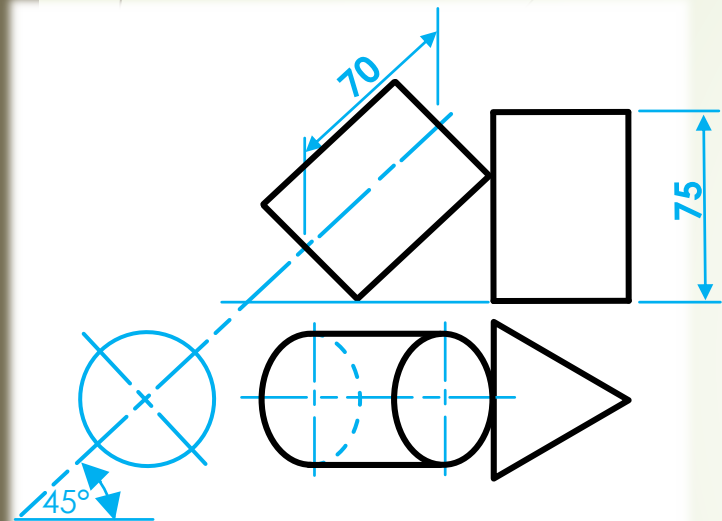
A combination of pyramids, prisms, cones and cylinders



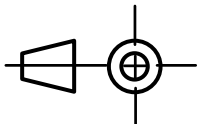
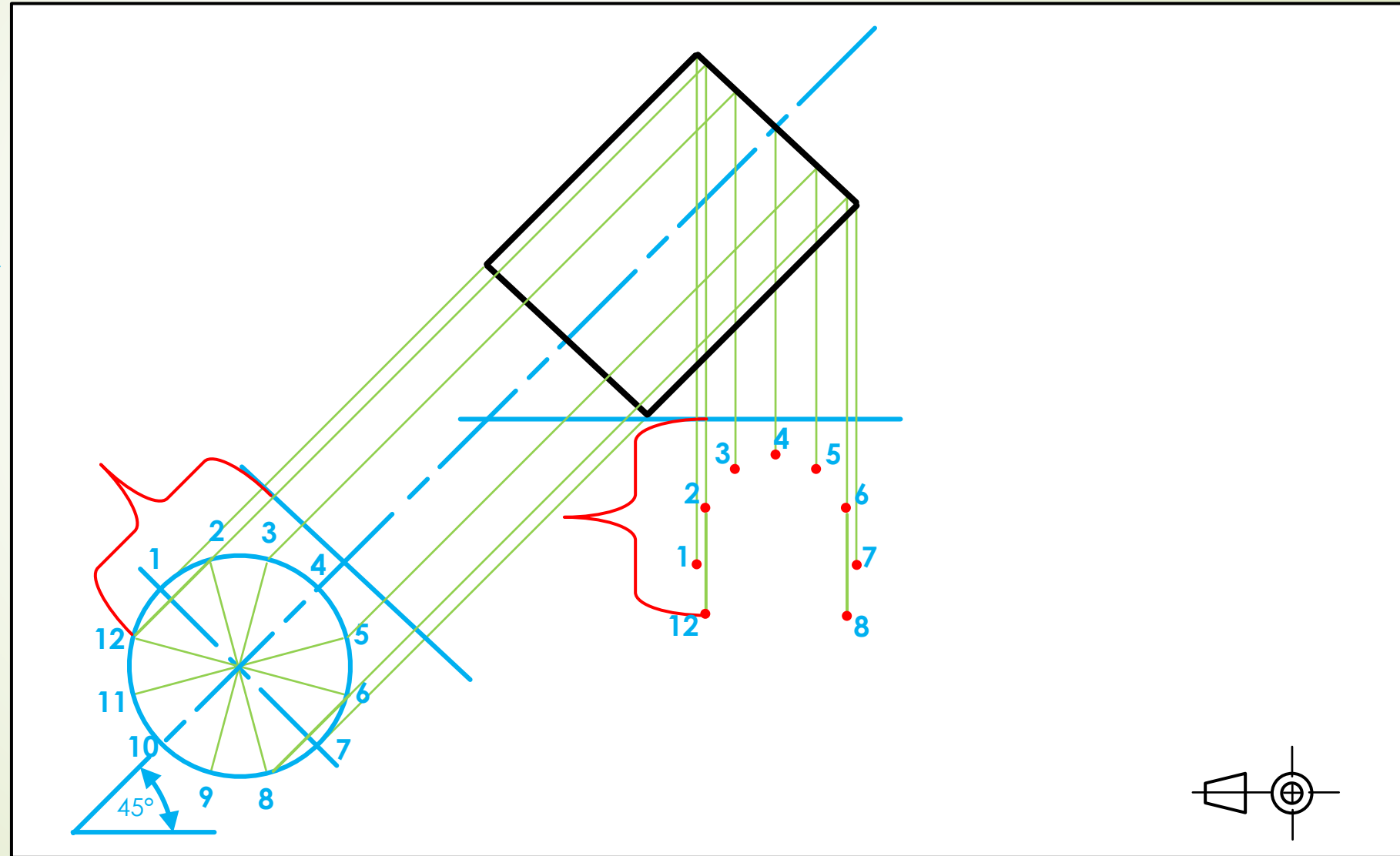
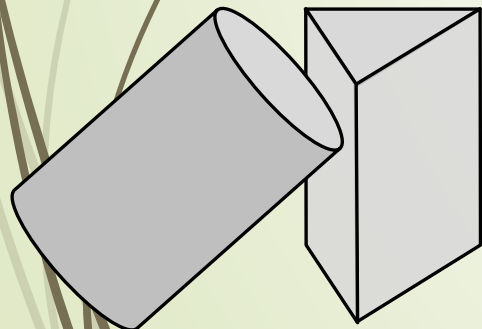
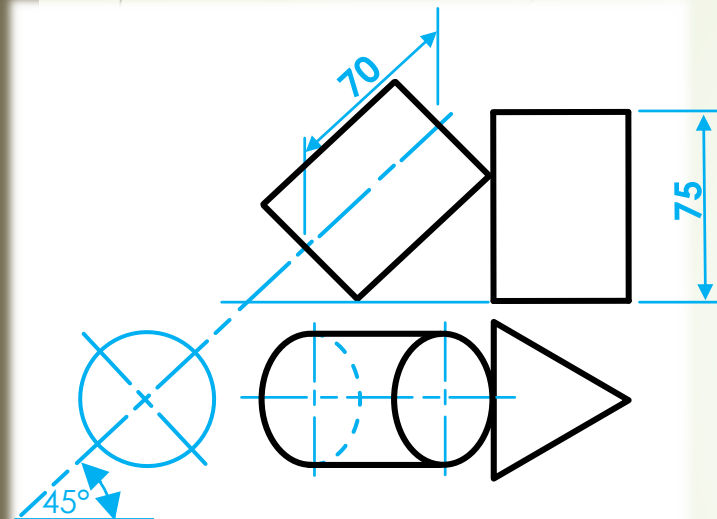
A combination of pyramids, prisms, cones and cylinders



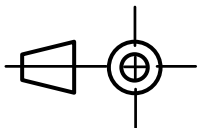
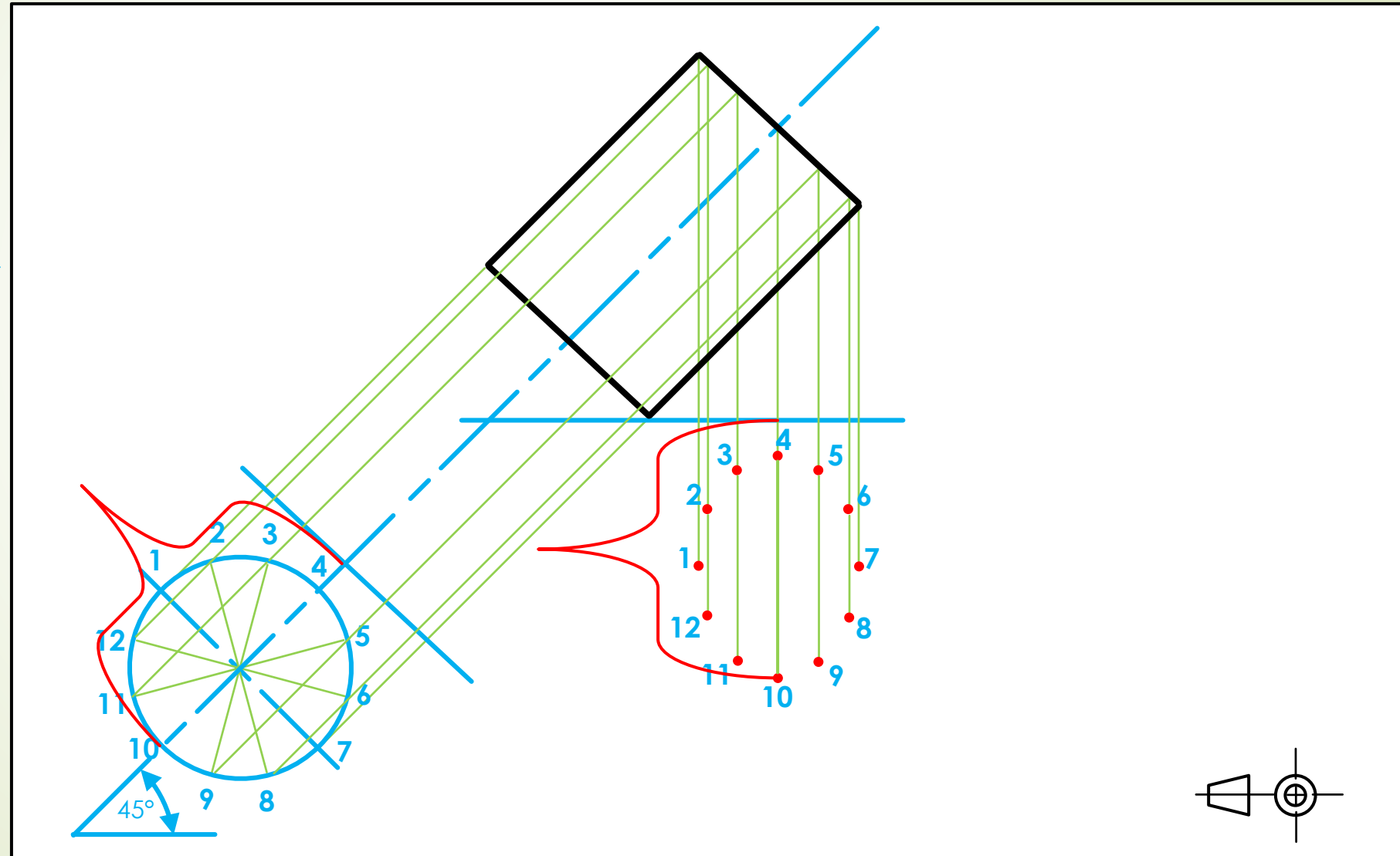
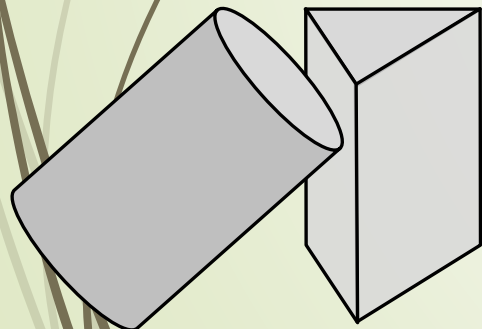
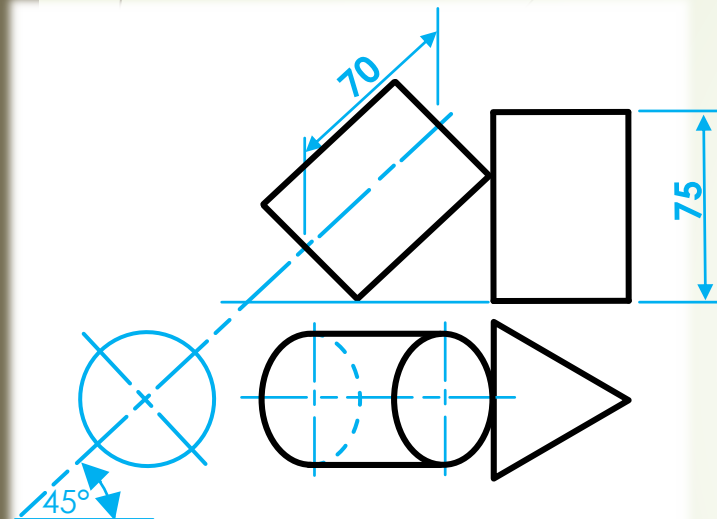
A combination of pyramids, prisms, cones and cylinders



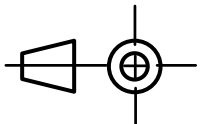
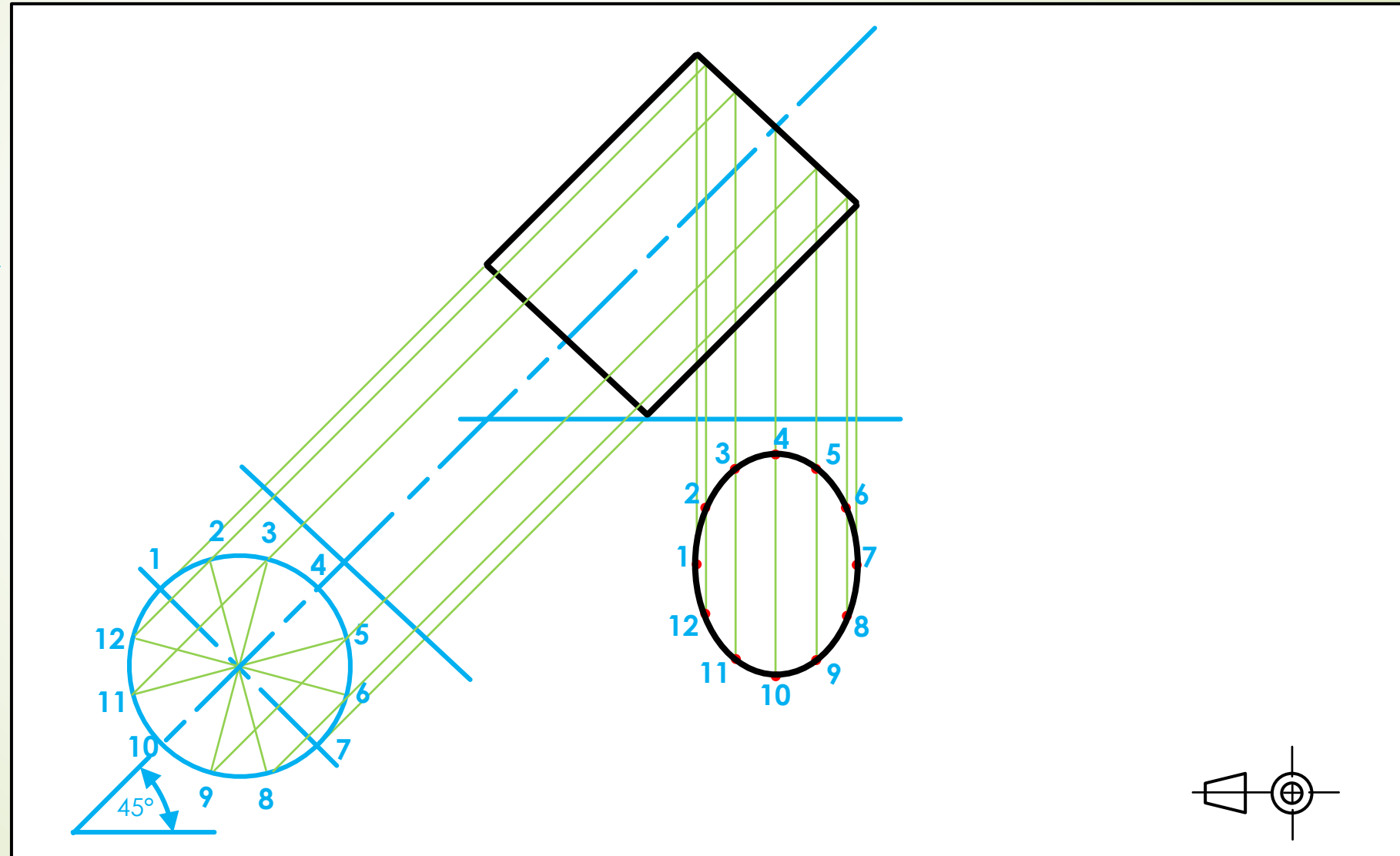
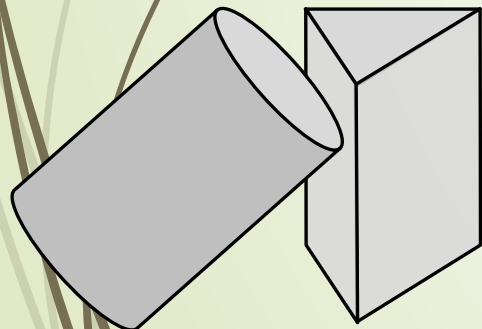
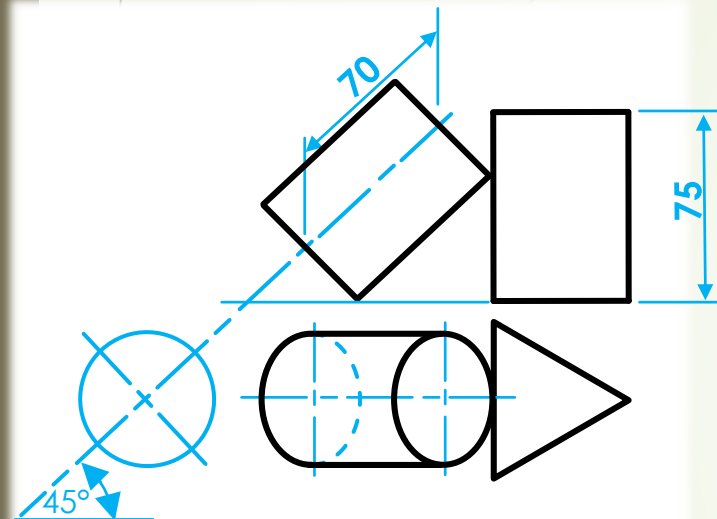
A combination of pyramids, prisms, cones and cylinders



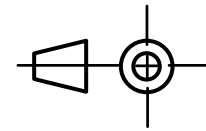
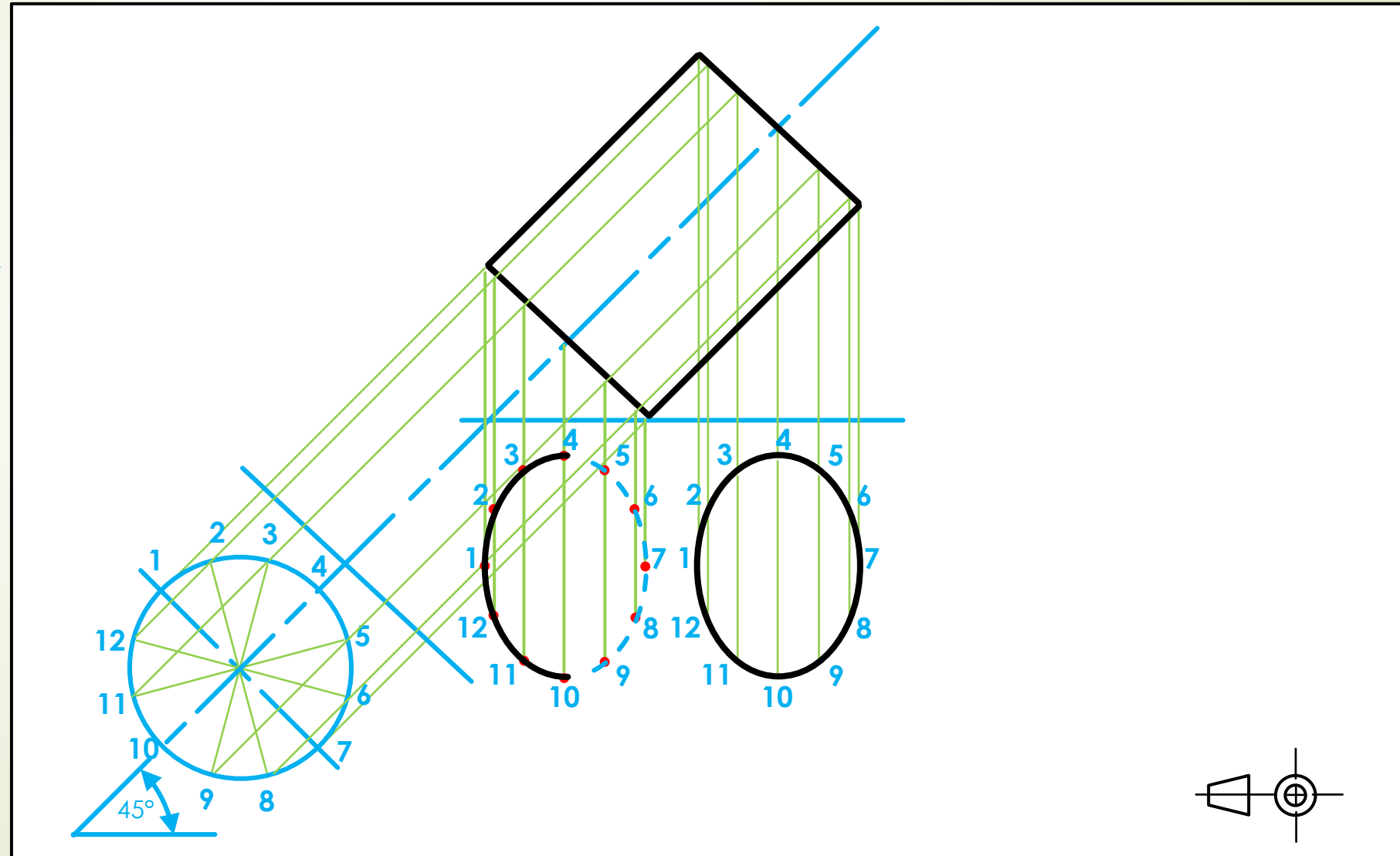
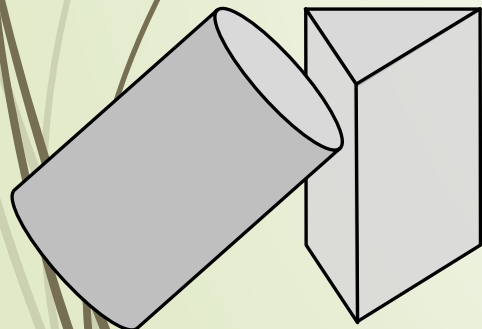
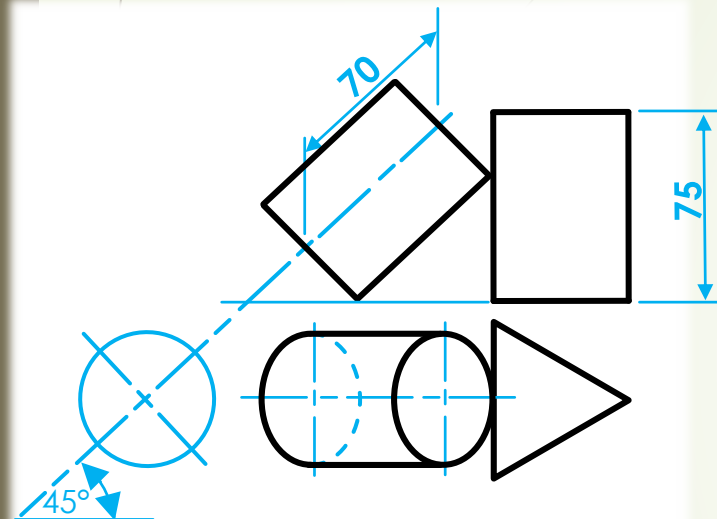
A combination of pyramids, prisms, cones and cylinders



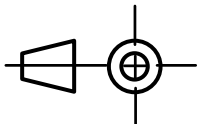
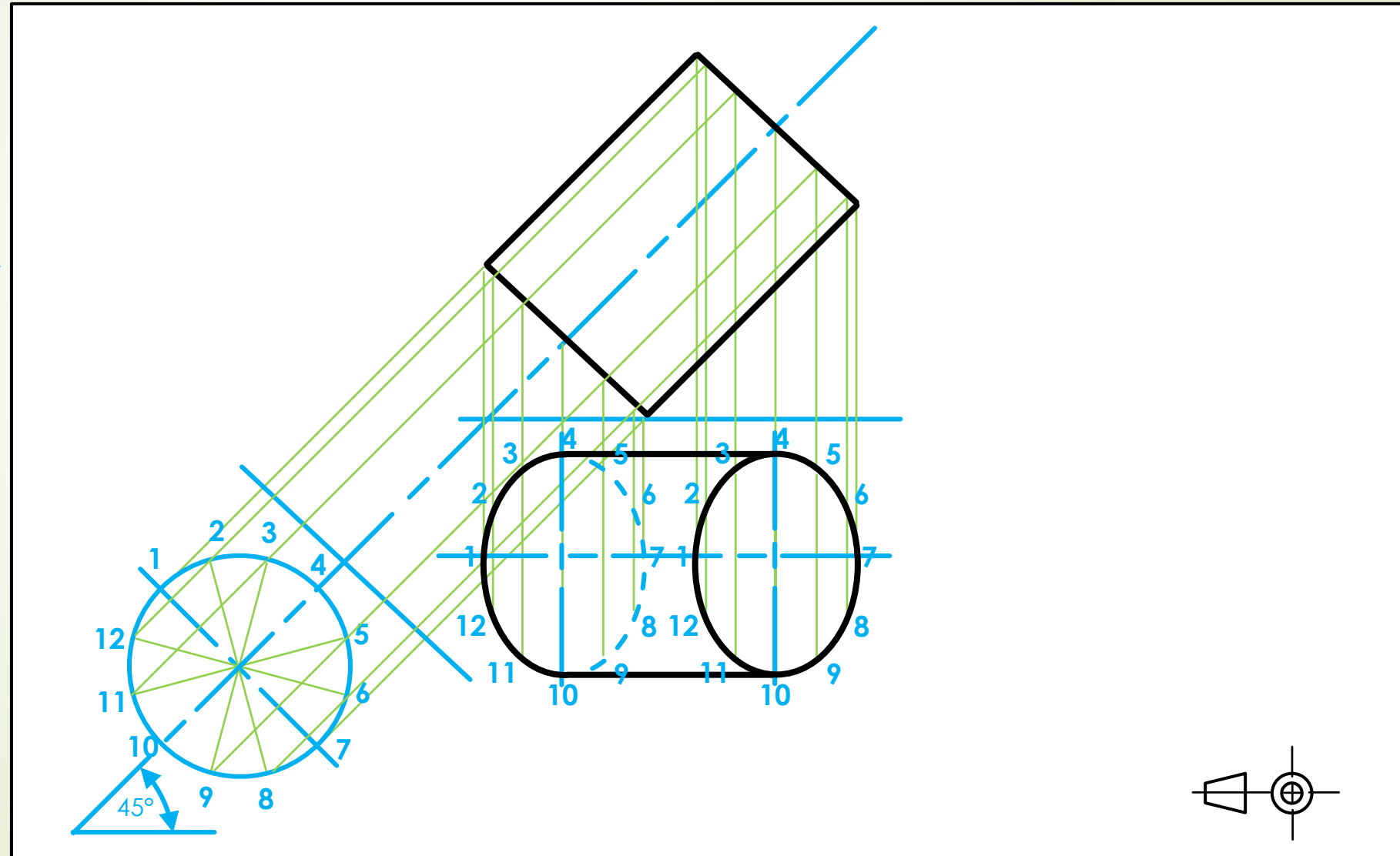
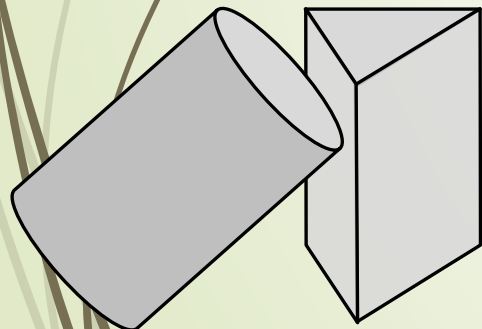
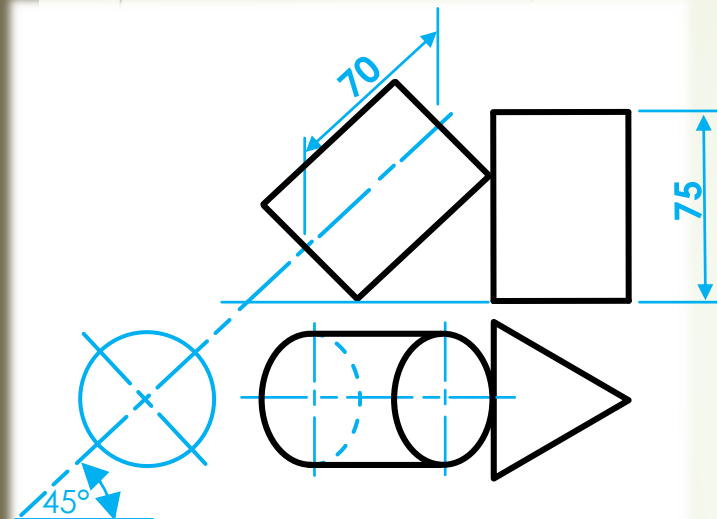
A combination of pyramids, prisms, cones and cylinders



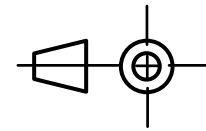
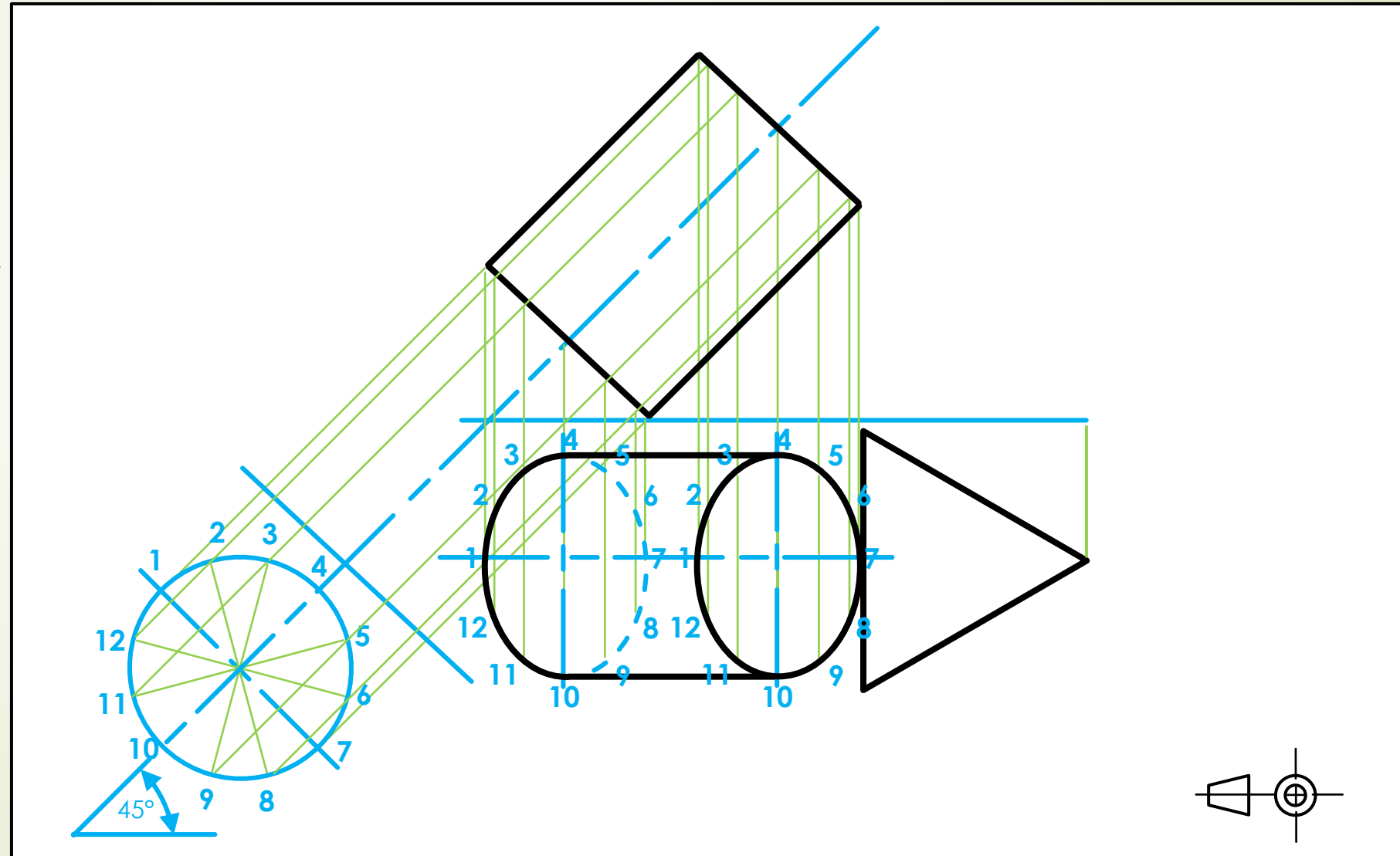
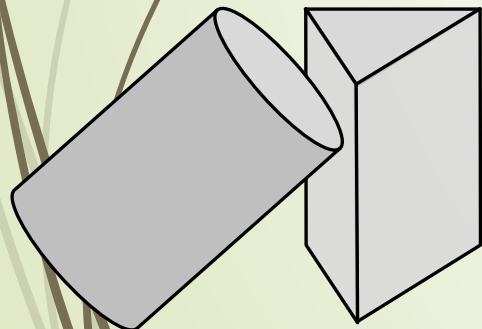
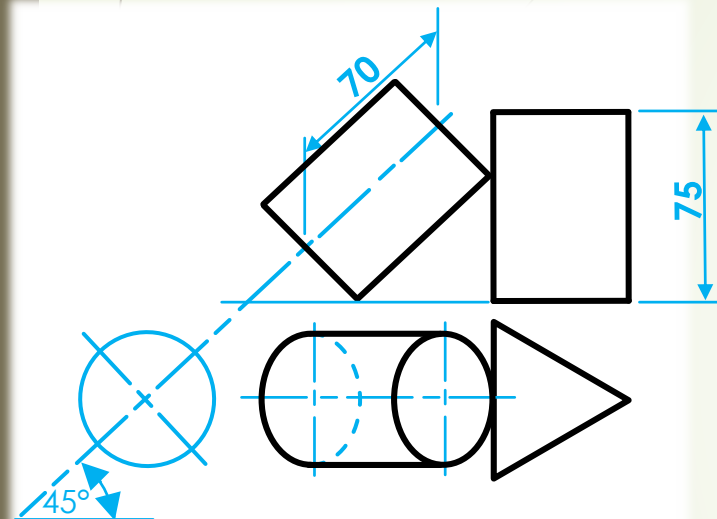
A combination of pyramids, prisms, cones and cylinders



A combination of pyramids, prisms, cones and cylinders



A combination of pyramids, prisms, cones and cylinders



A combination of pyramids, prisms, cones and cylinders

