



Application on polygons

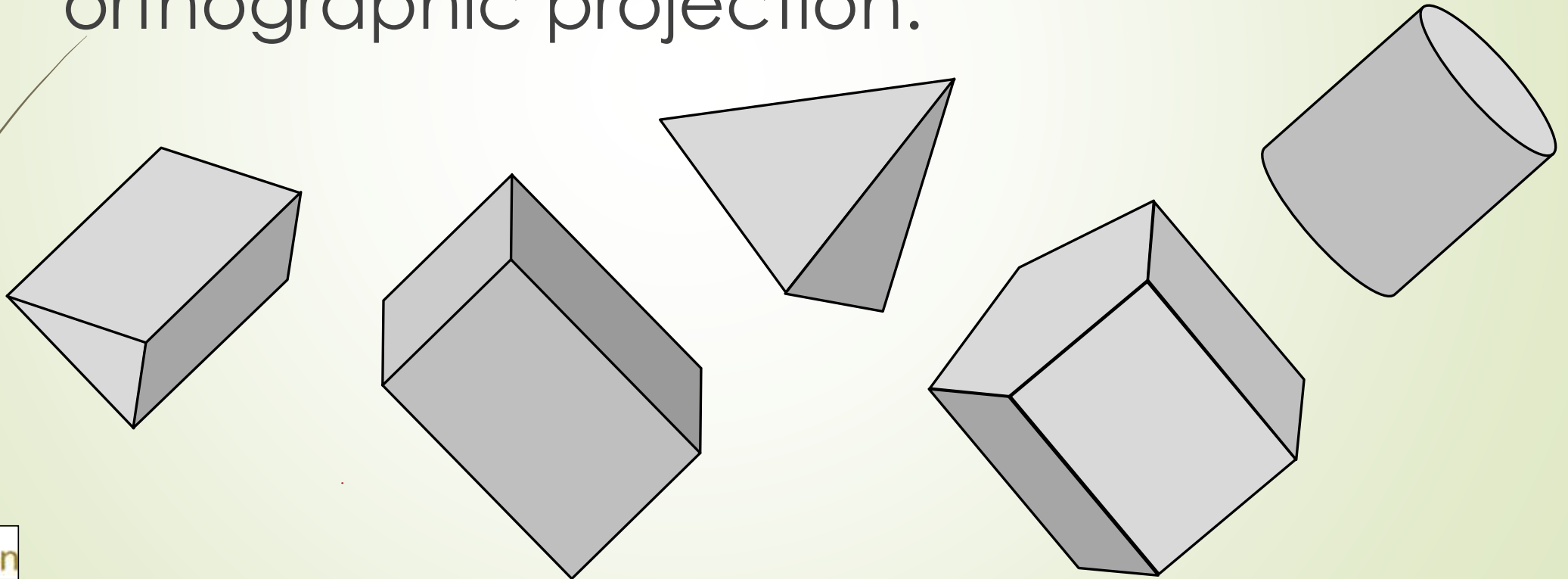
Vertical Sectioning

Grade 10, 11 & 12

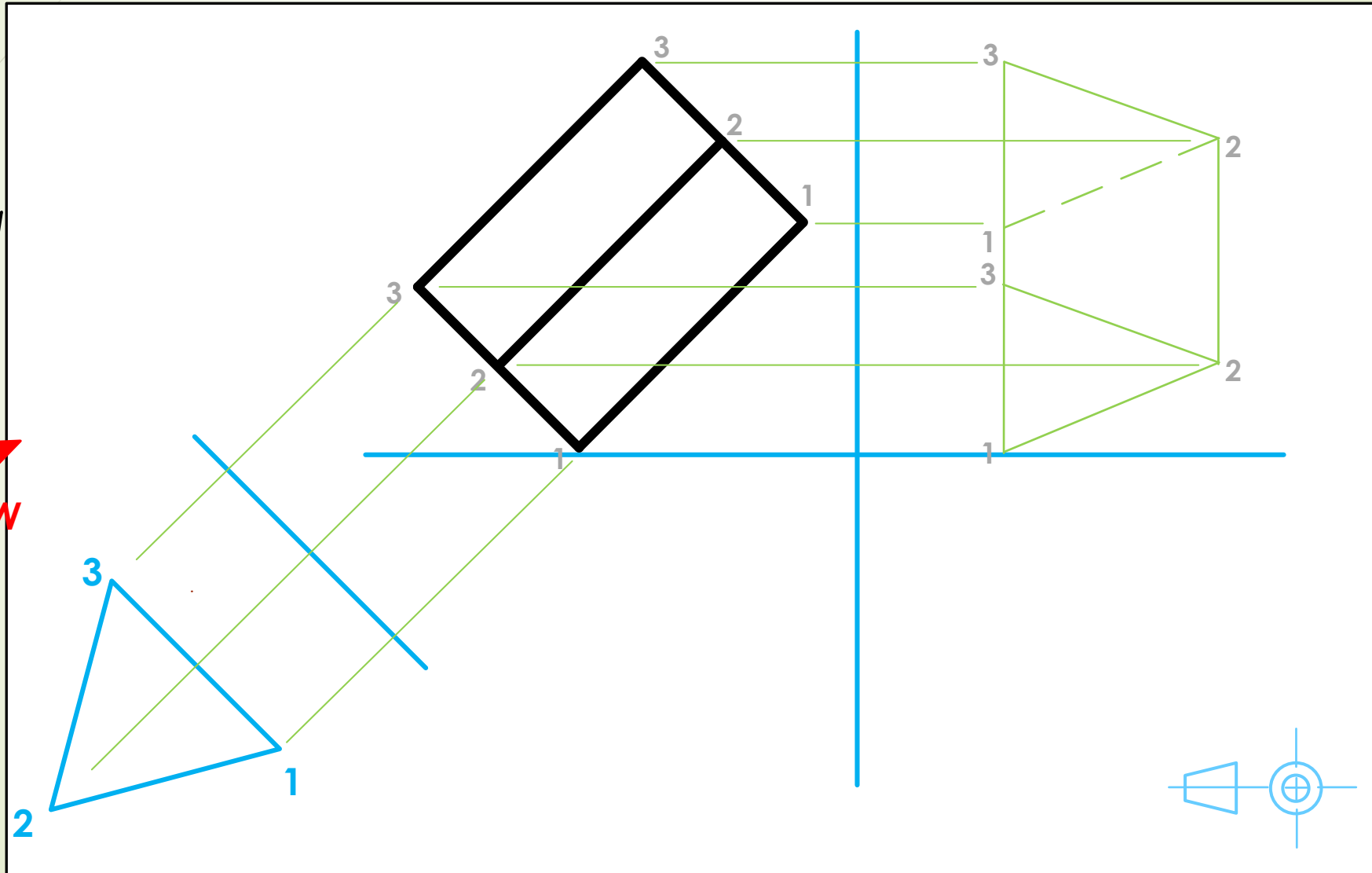
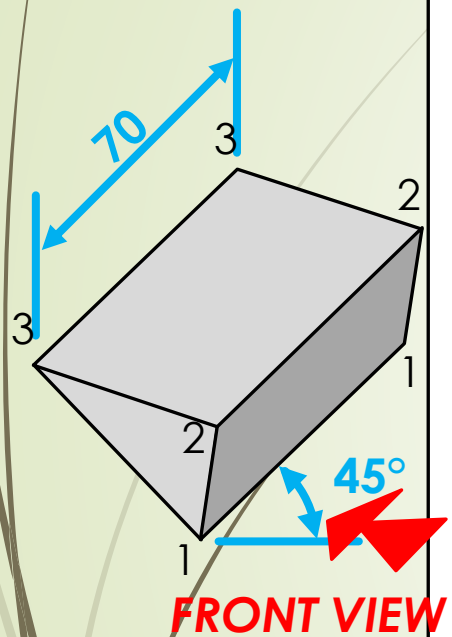
Developed by: PC Viljoen
Senior Educational Specialist for
Engineering Graphics and Design
Free State Province

Application on pyramids, prisms, cones and cylinders

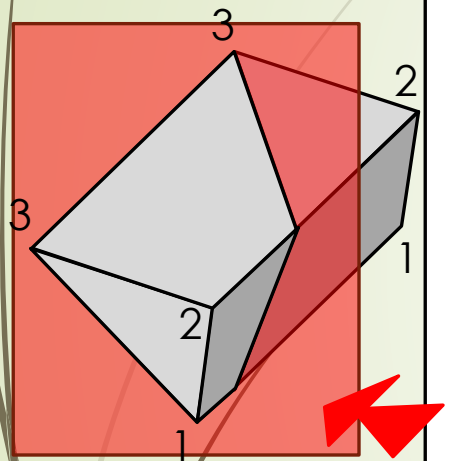
- Sectioning through inclined pyramids, prisms, cones and cylinders in first angle orthographic projection.



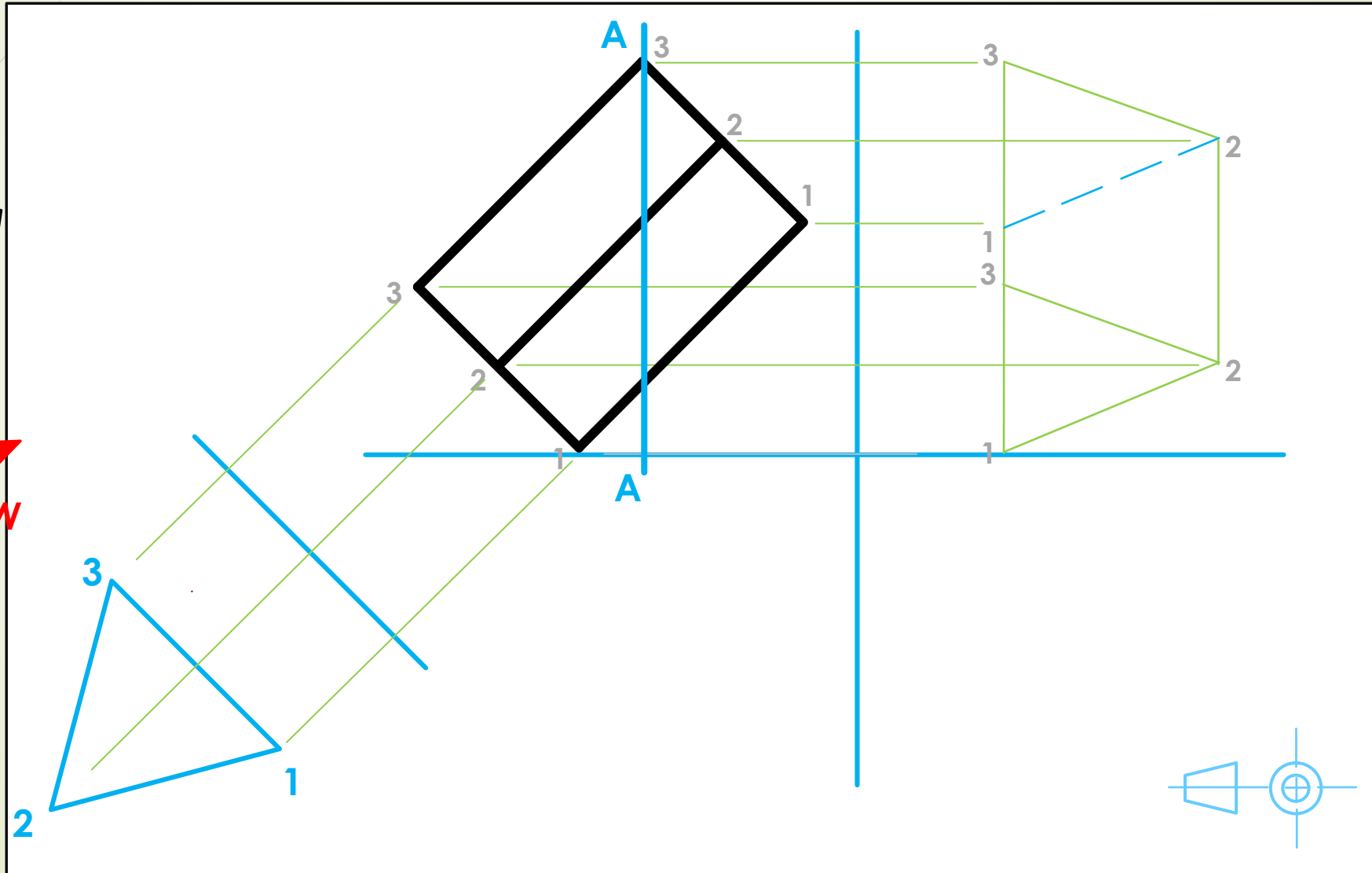
Application on pyramids, prisms, cones and cylinders



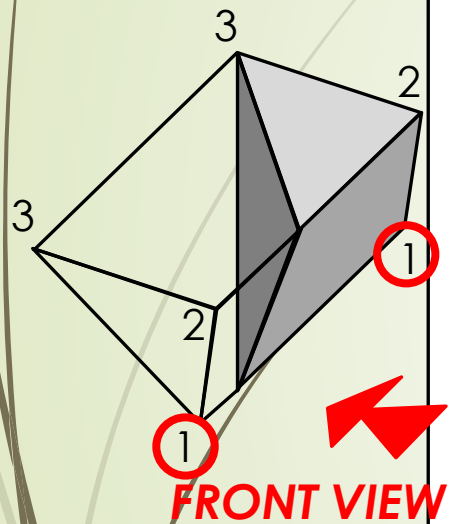
Application on pyramids, prisms, cones and cylinders



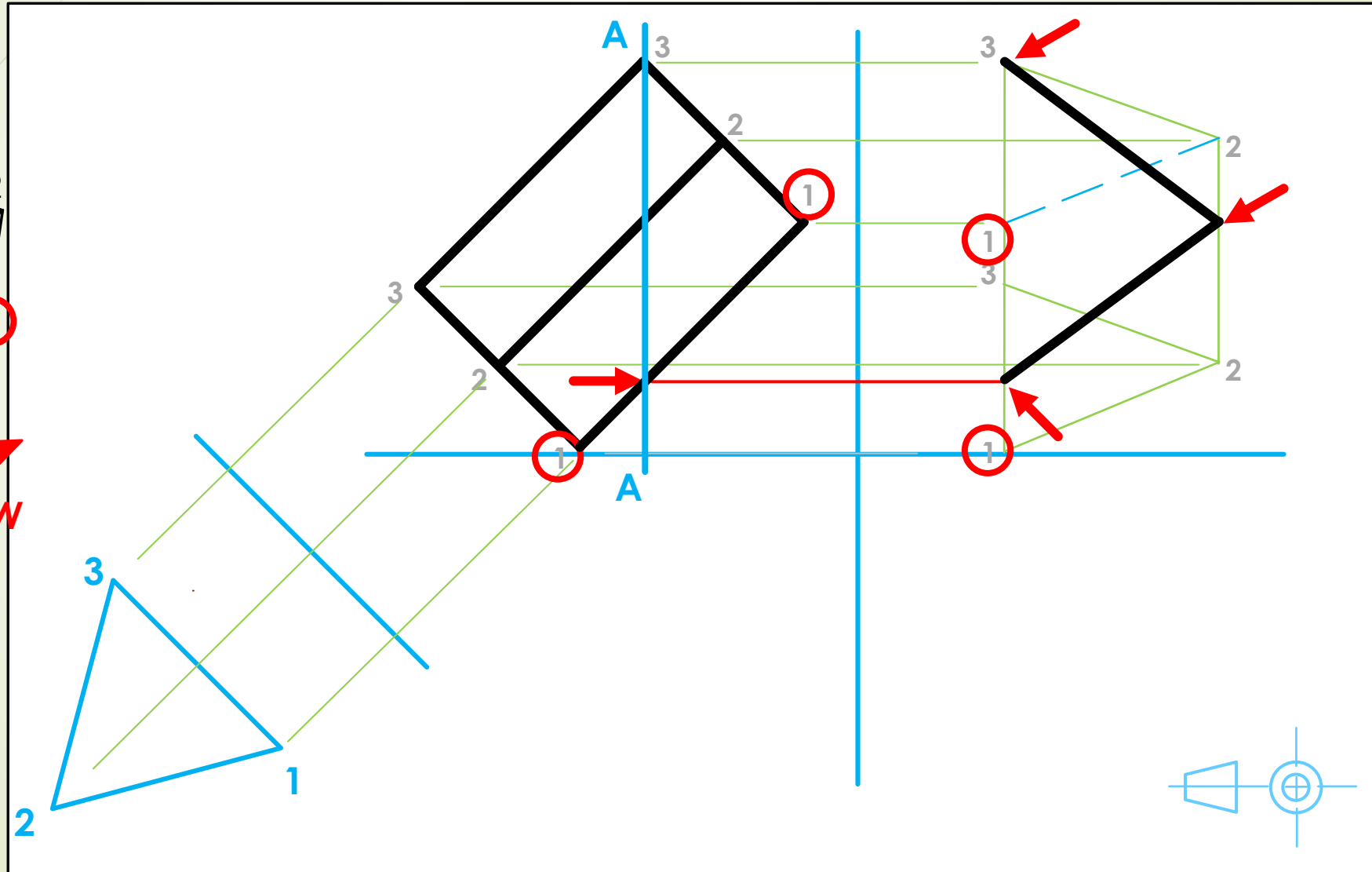
FRONT VIEW



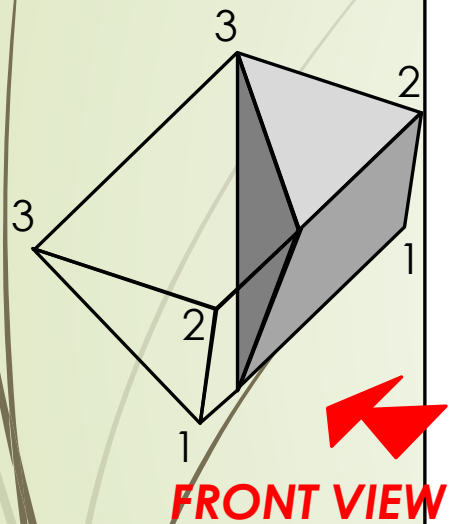
Application on pyramids, prisms, cones and cylinders



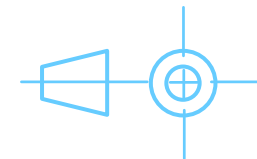
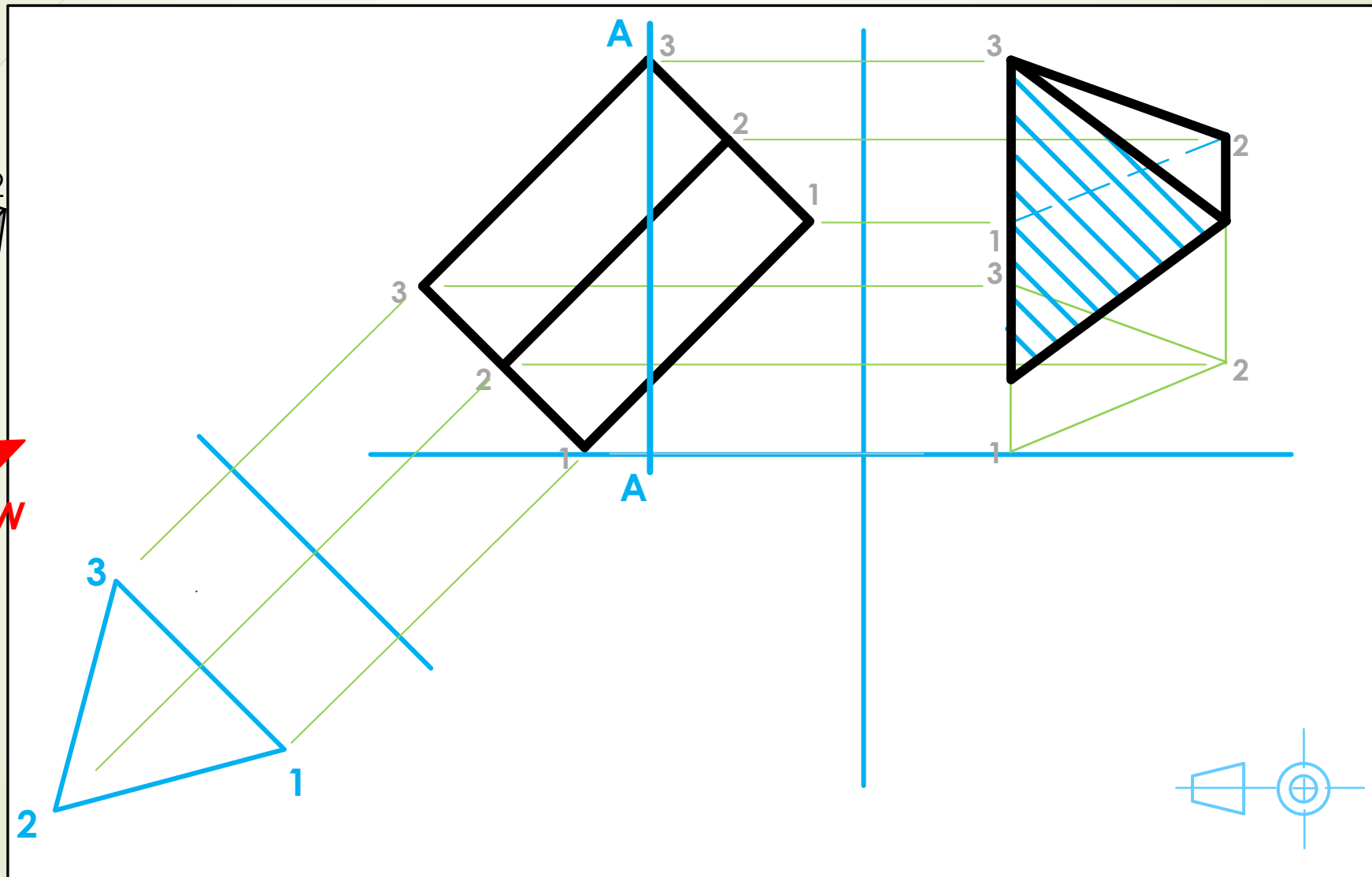
FRONT VIEW



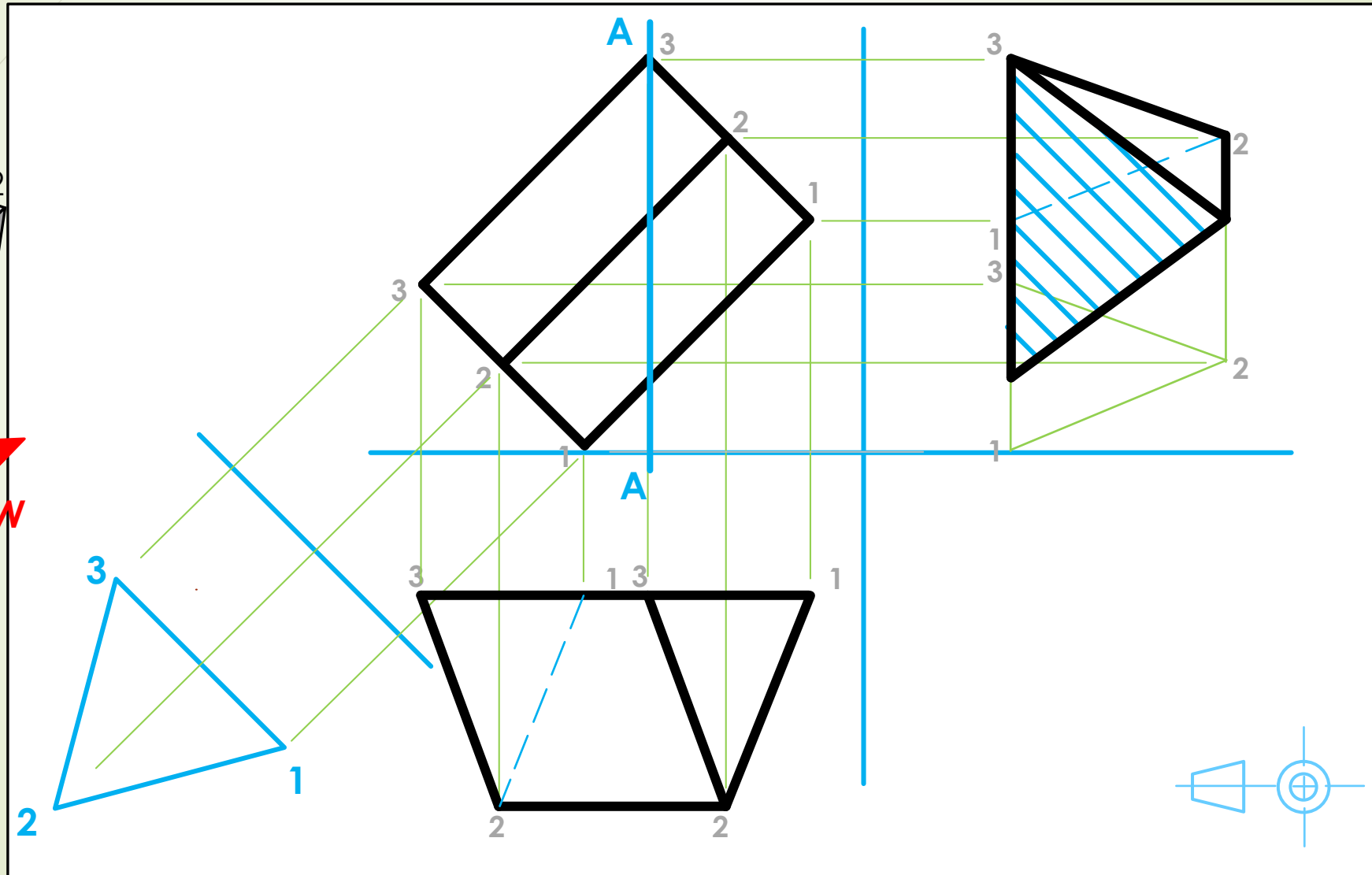
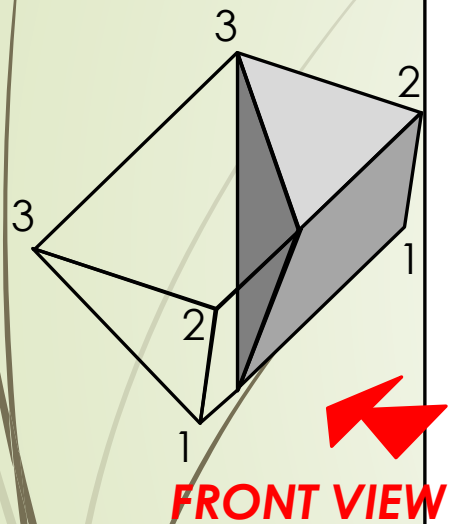
Application on pyramids, prisms, cones and cylinders



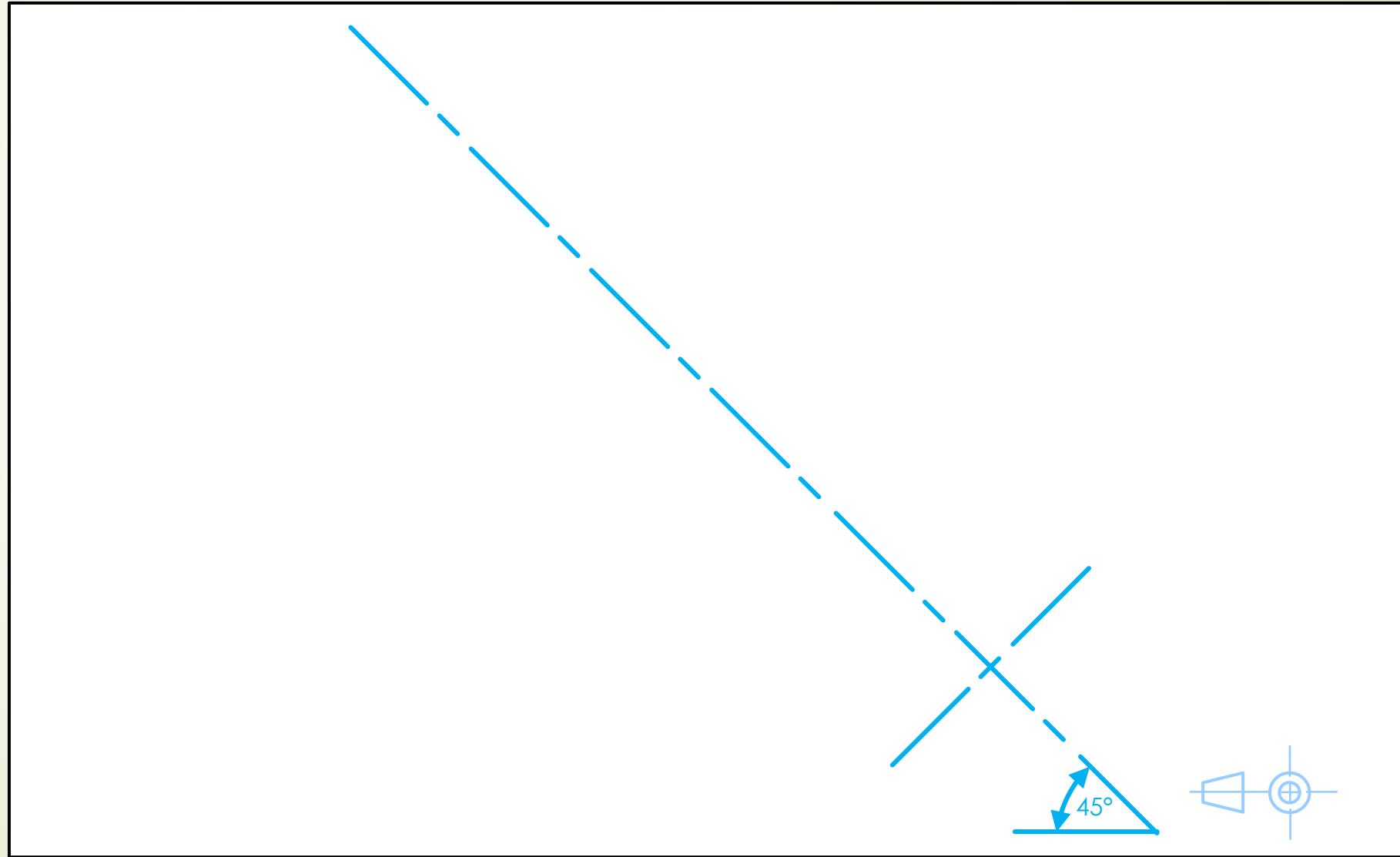
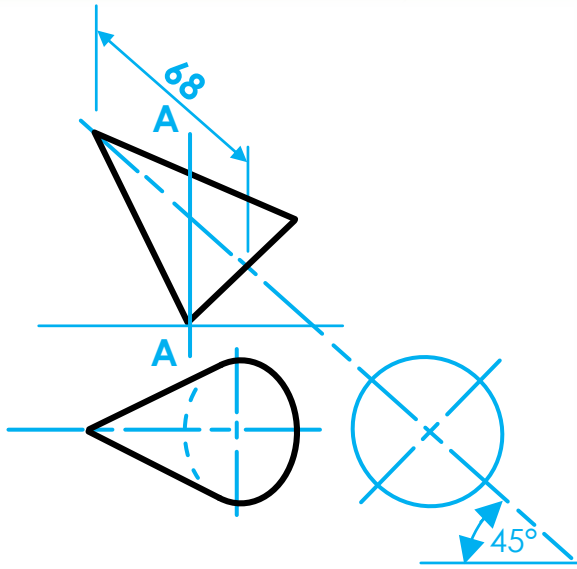
FRONT VIEW



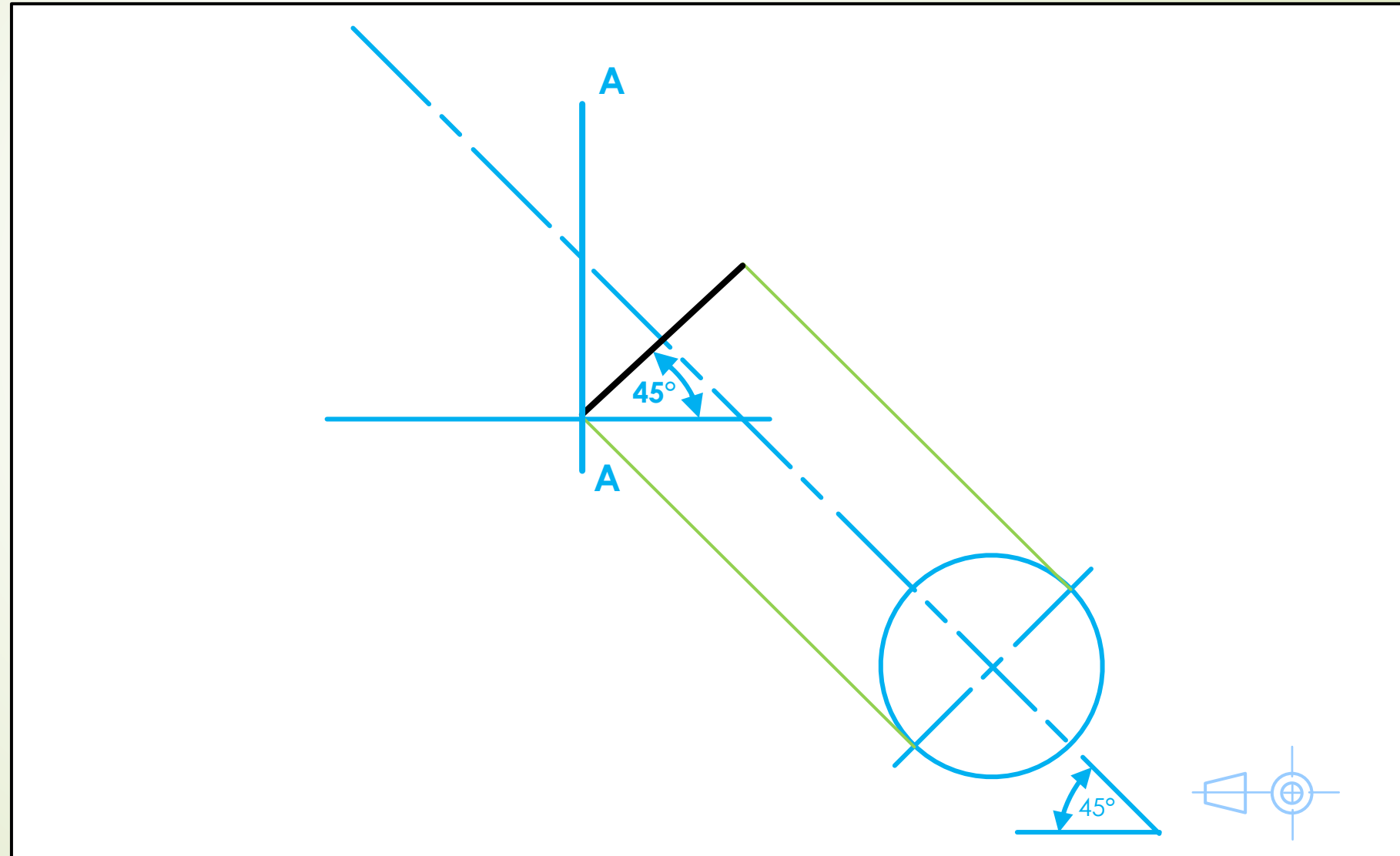
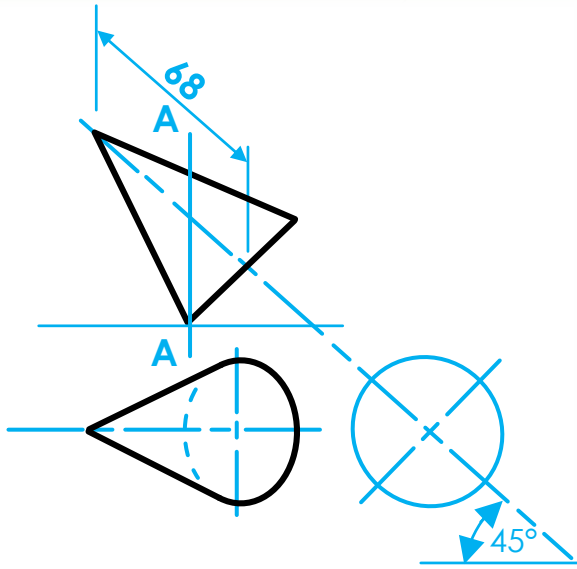
Application on pyramids, prisms, cones and cylinders



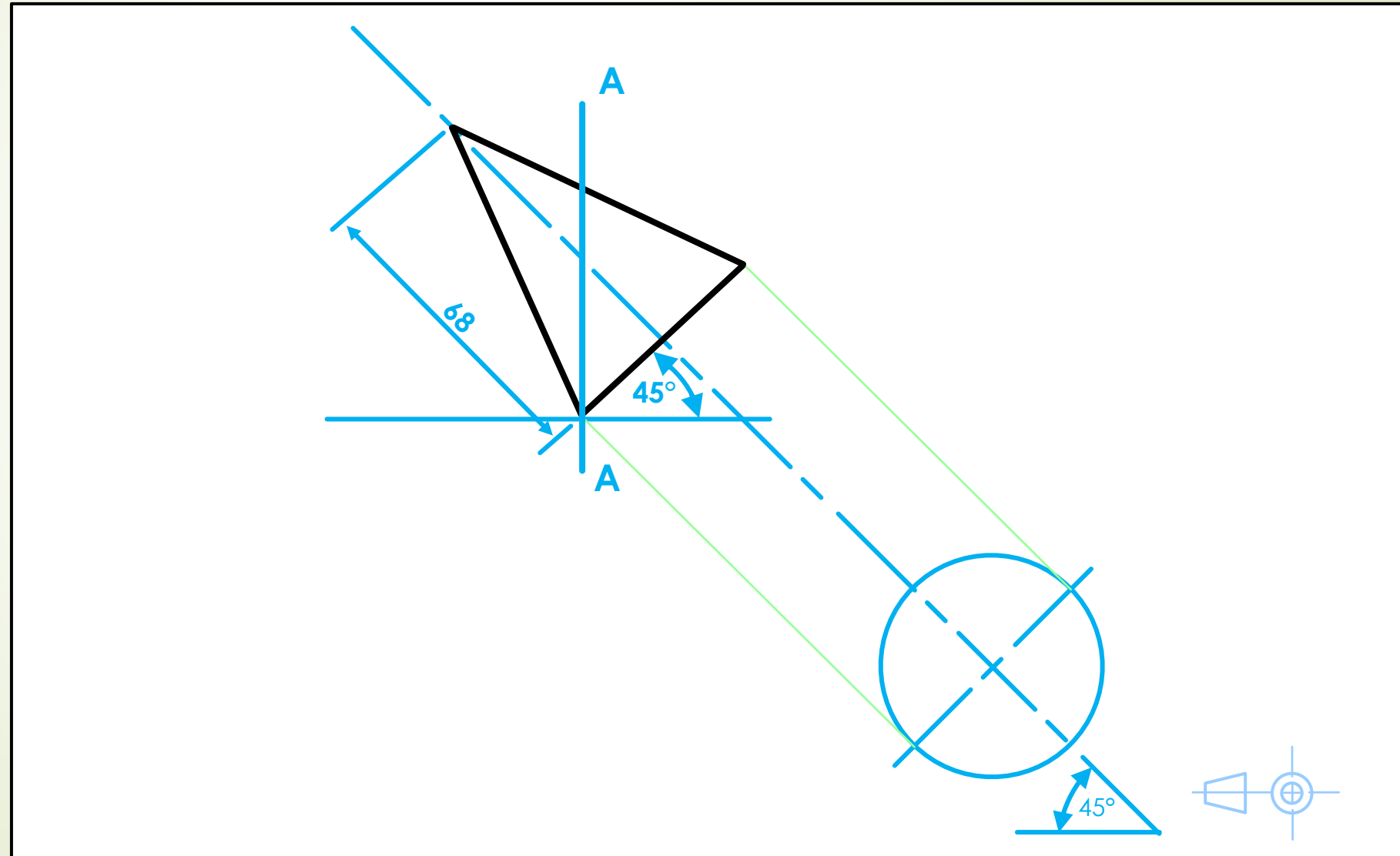
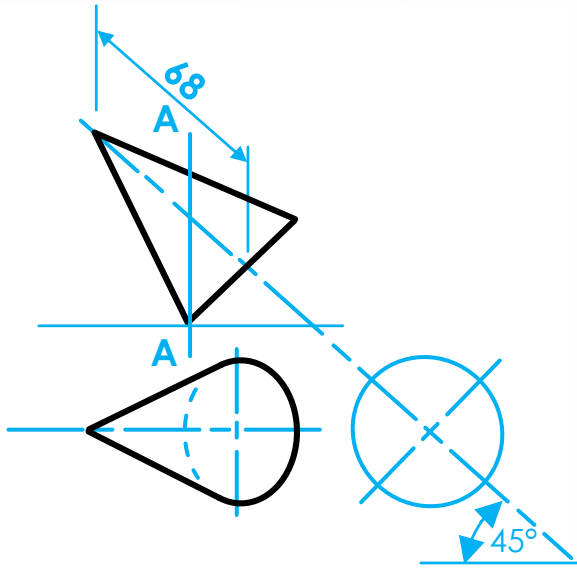
Application on cylinders and cones



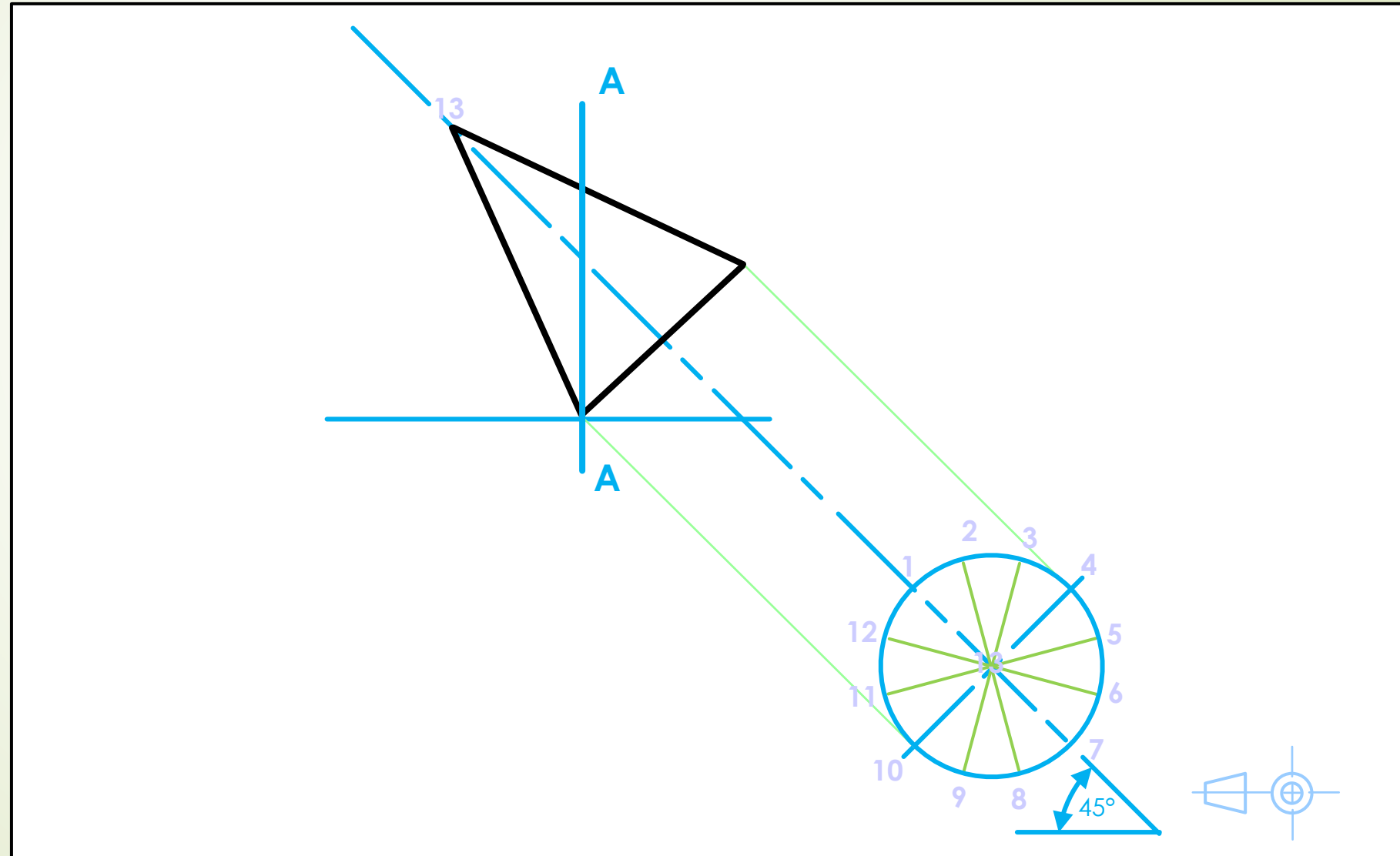
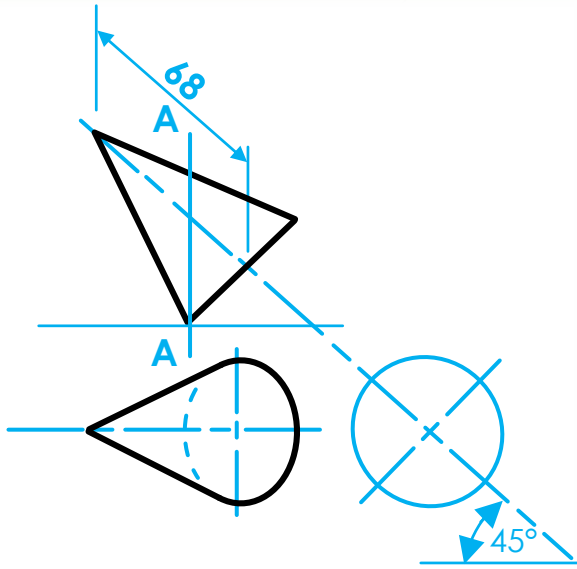
Application on cylinders and cones



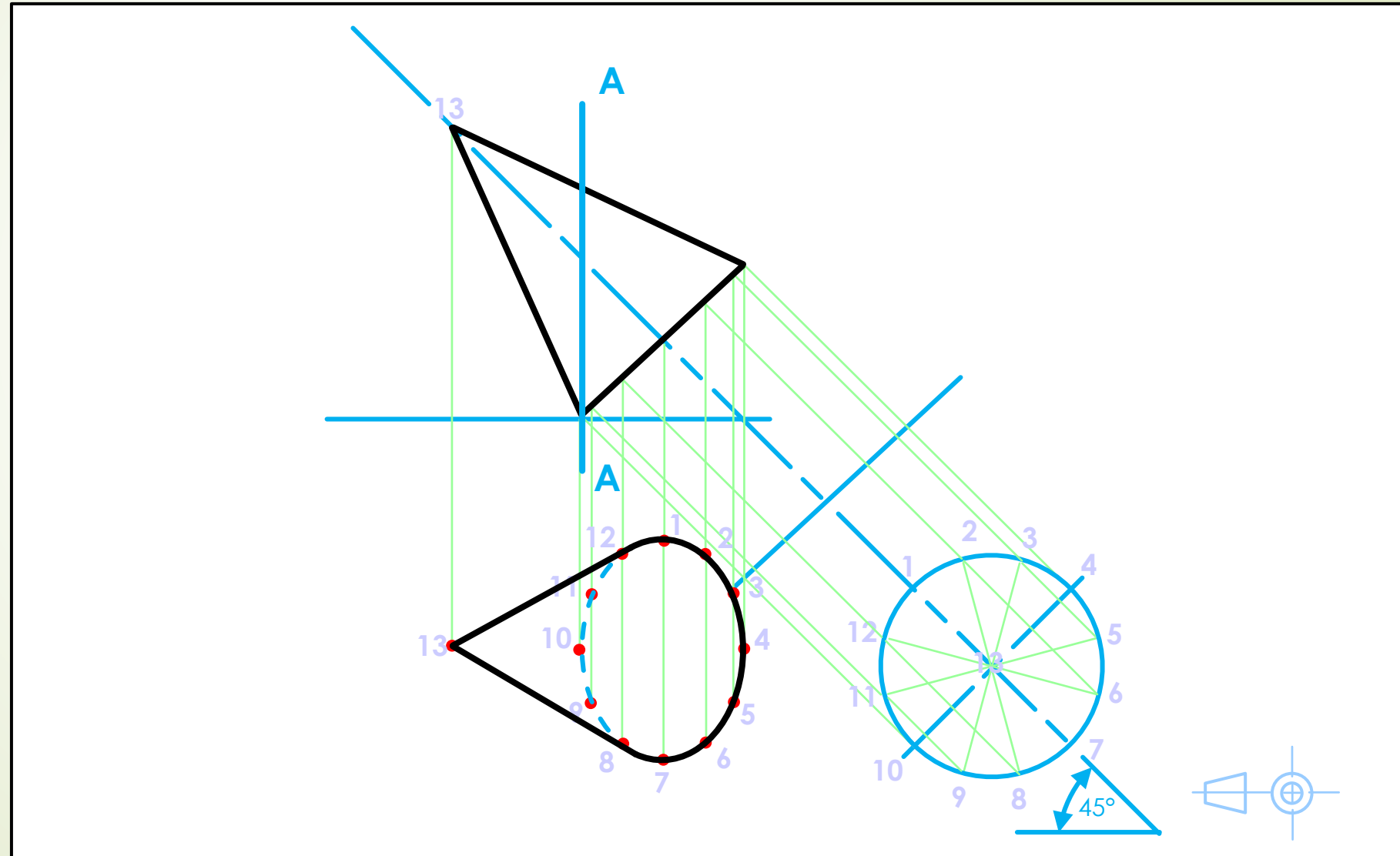
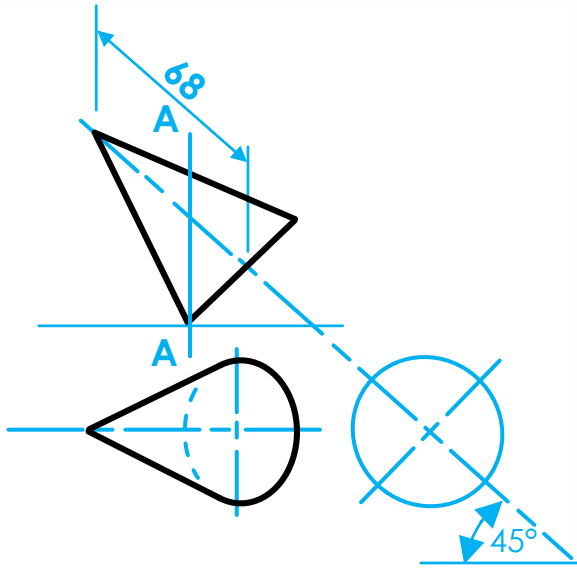
Application on cylinders and cones



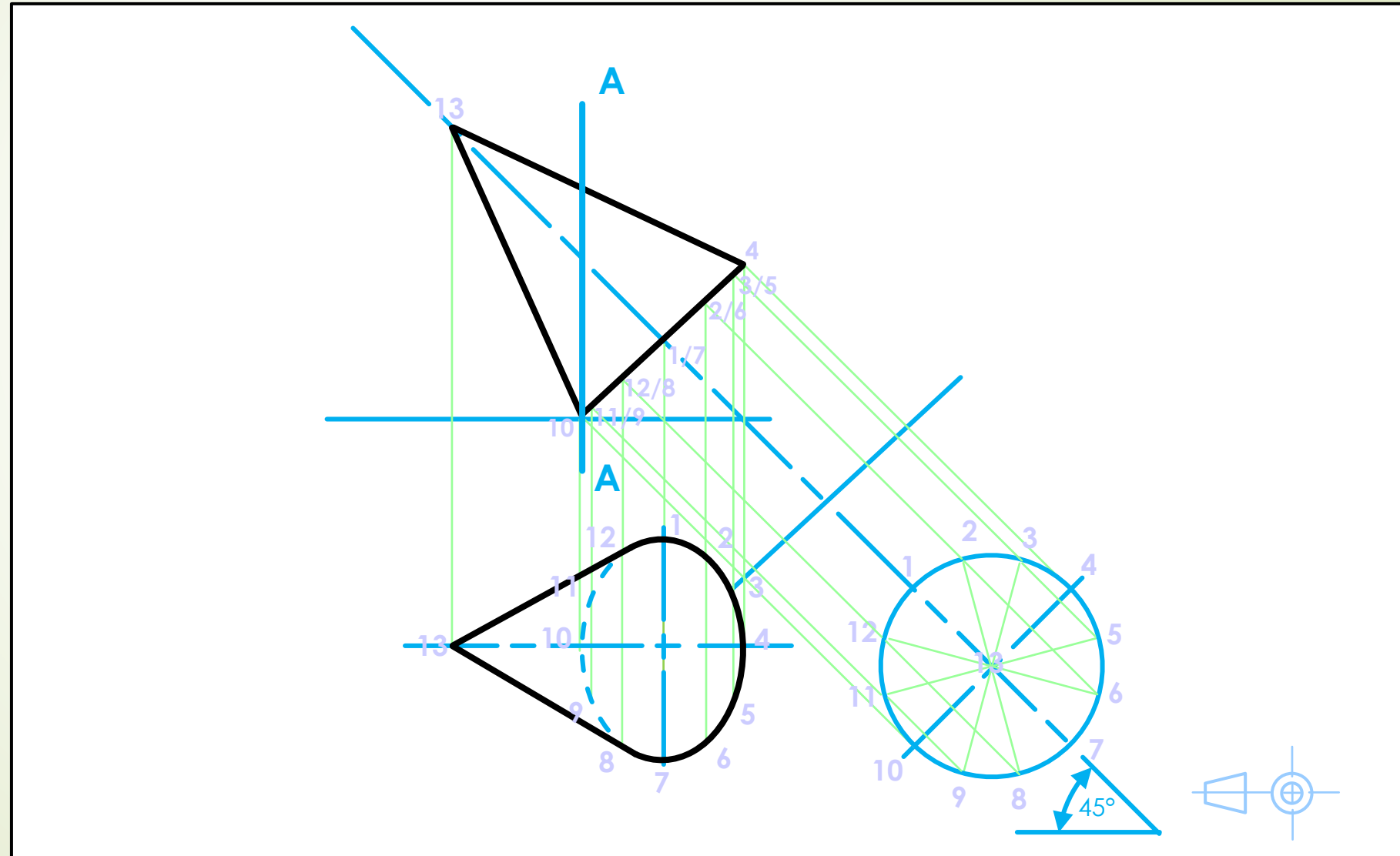
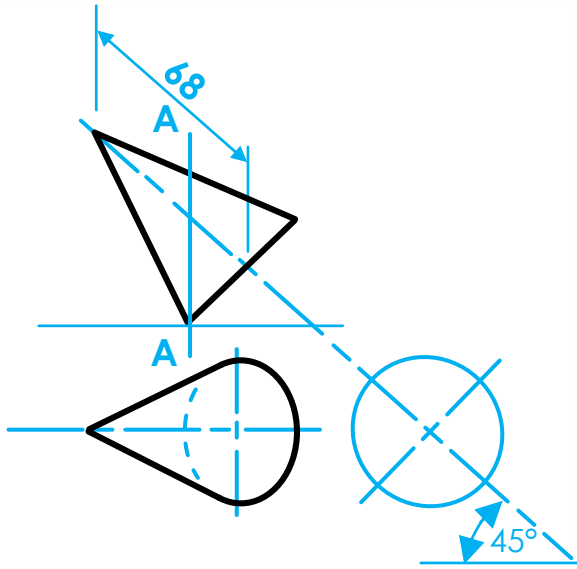
Application on cylinders and cones



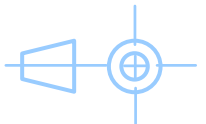
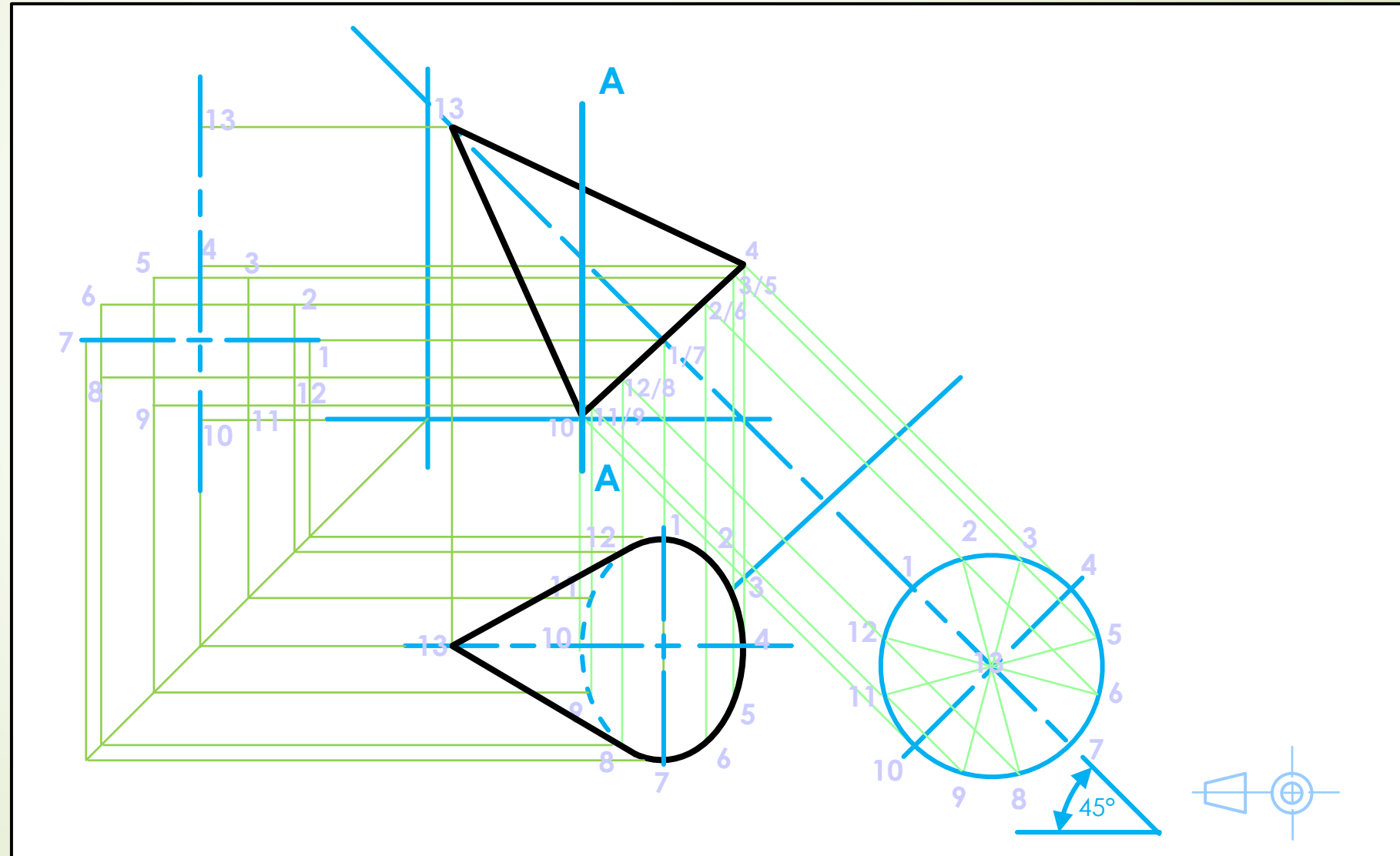
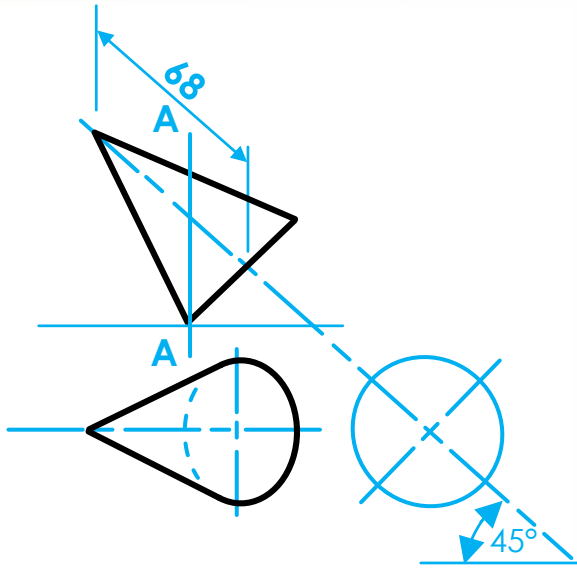
Application on cylinders and cones



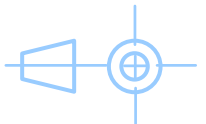
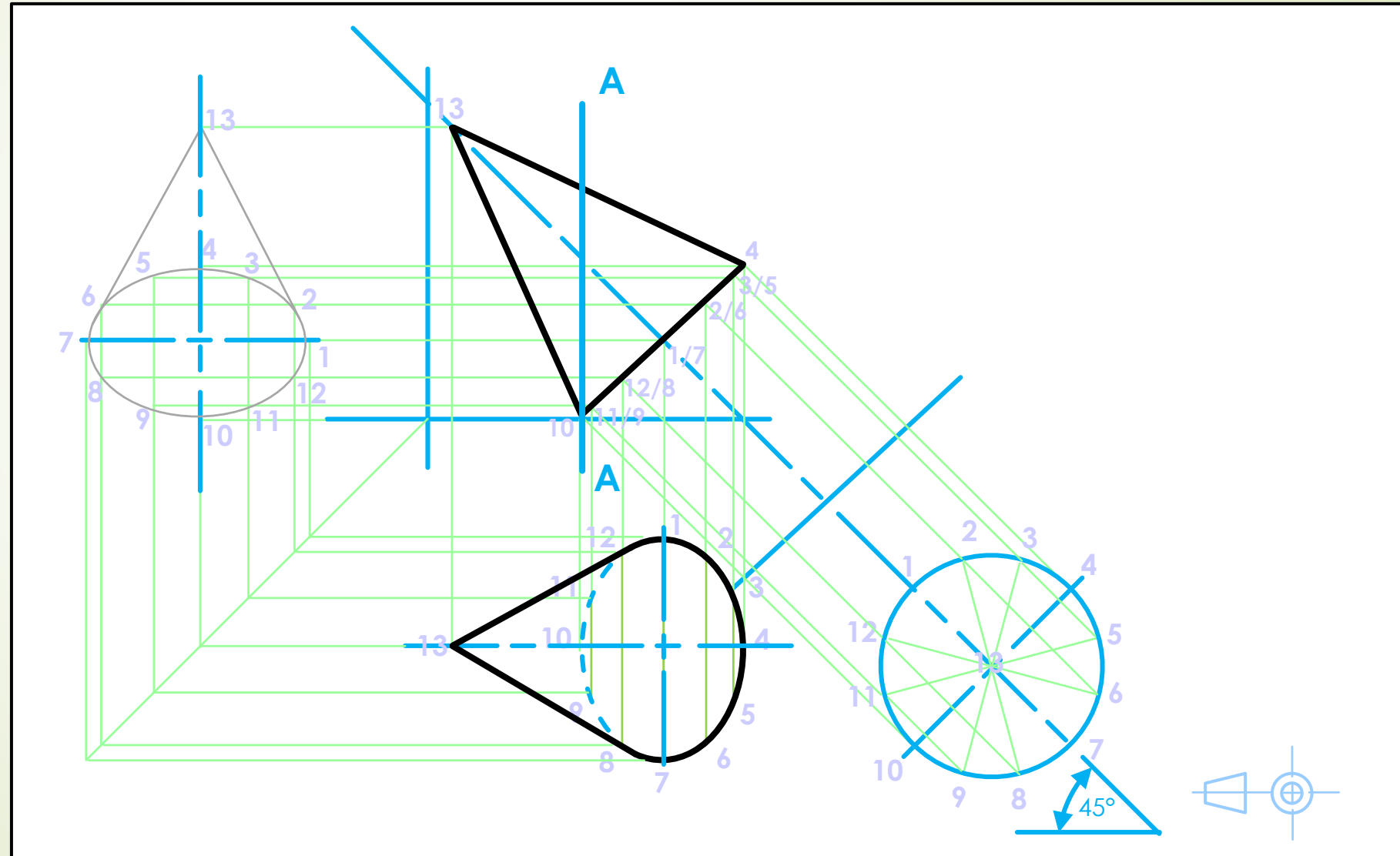
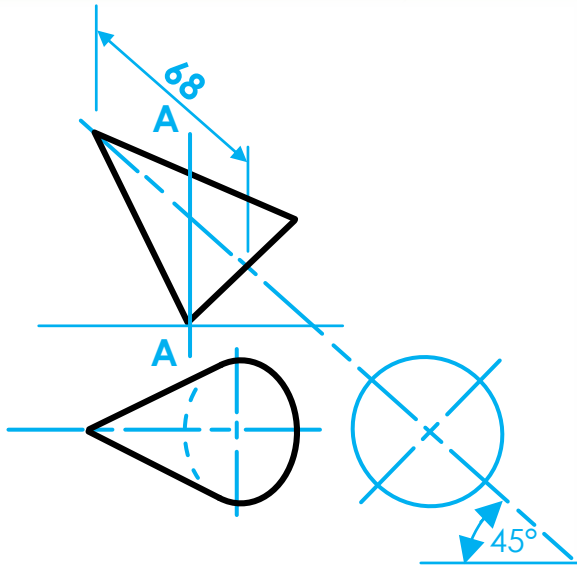
Application on cylinders and cones



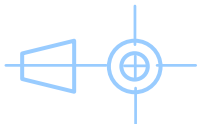
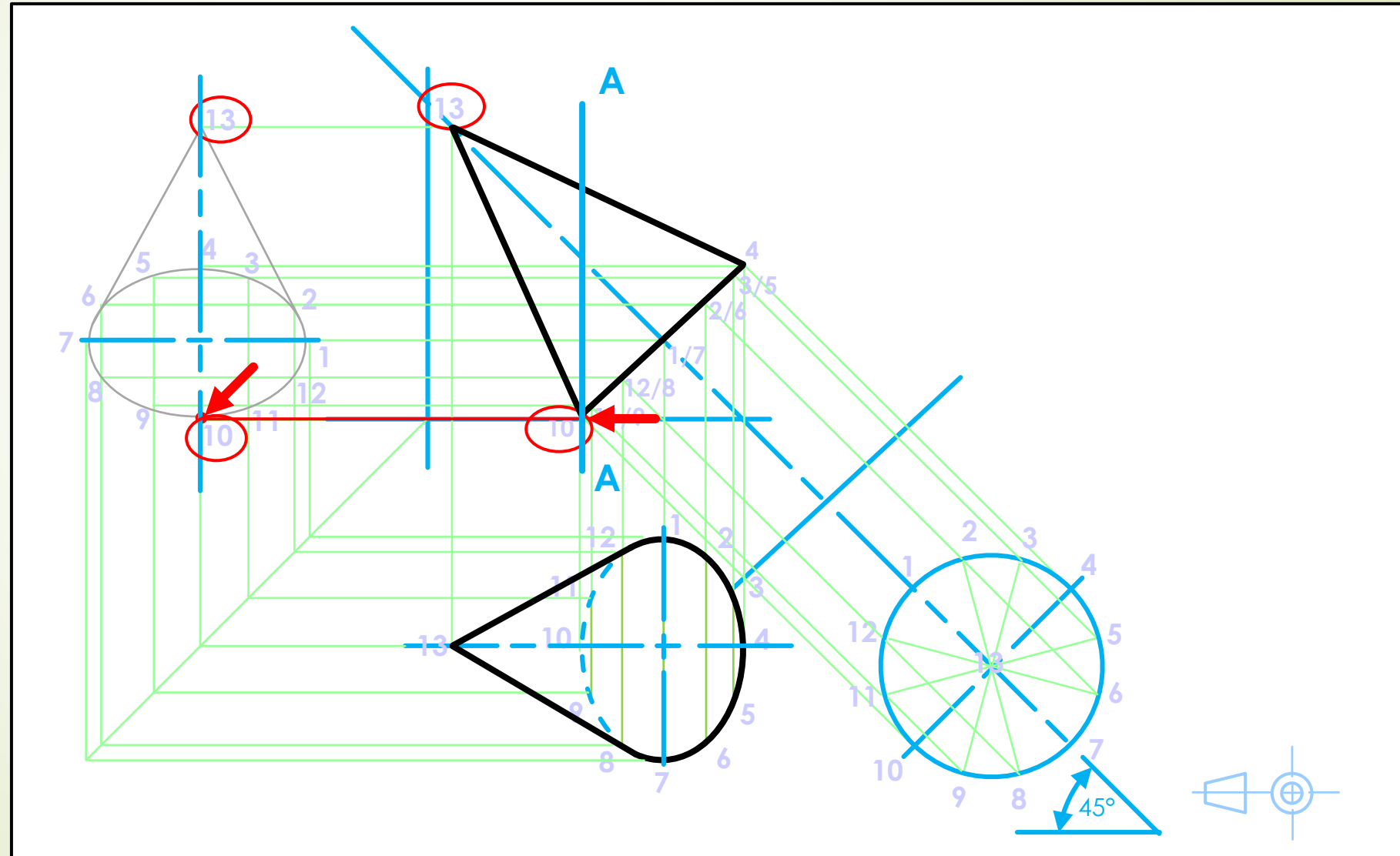
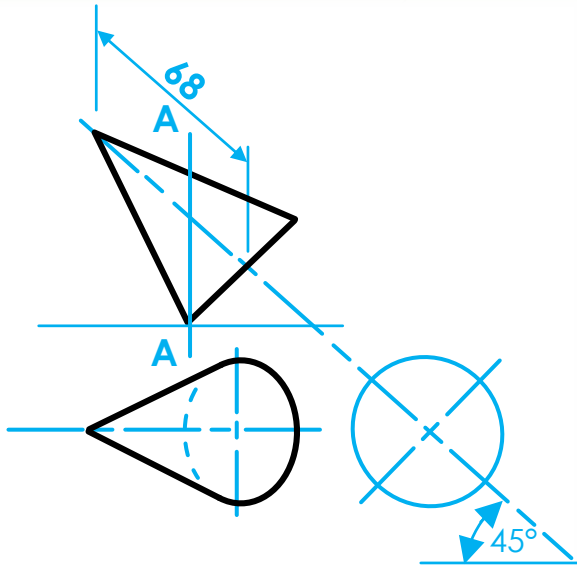
Application on cylinders and cones



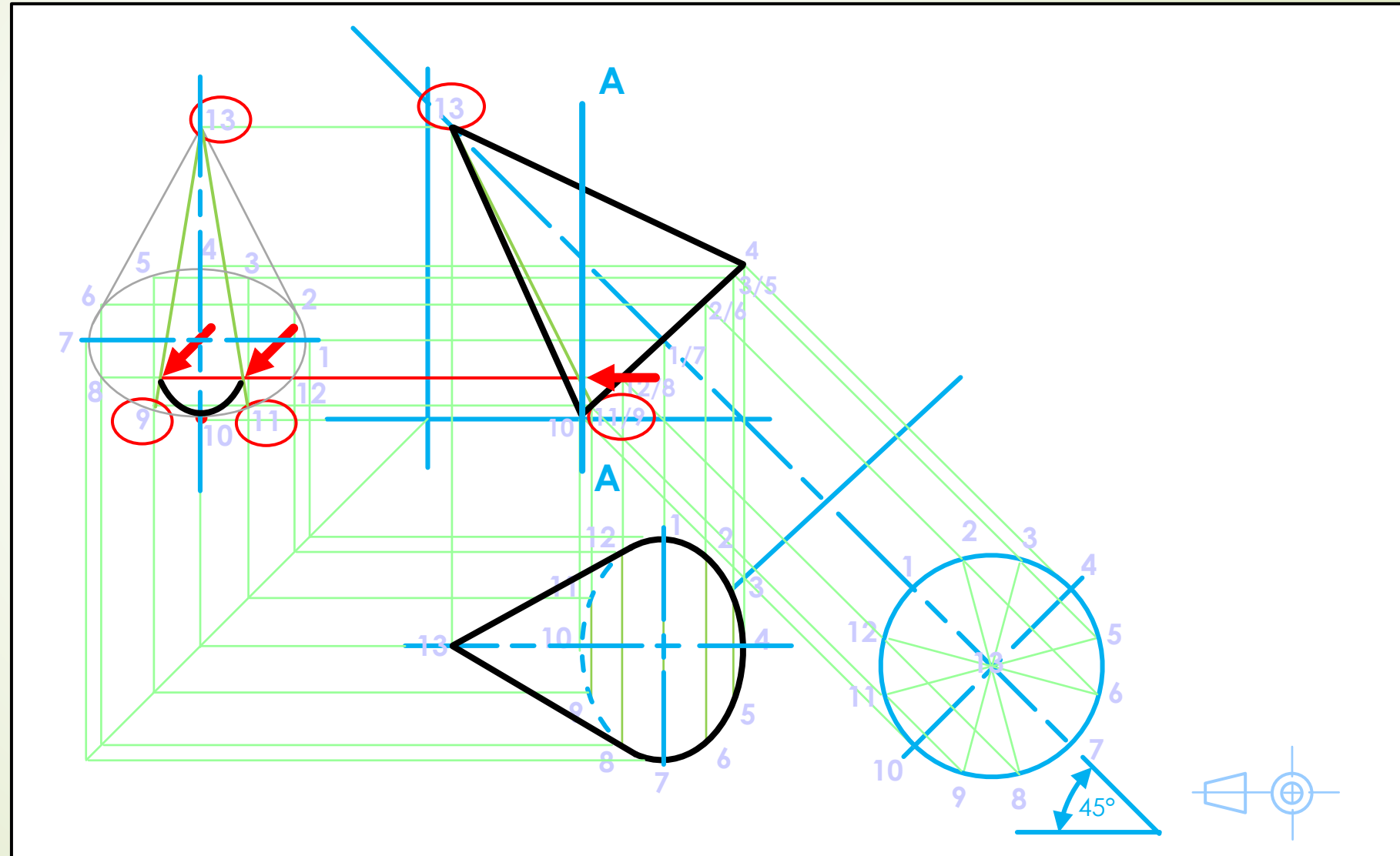
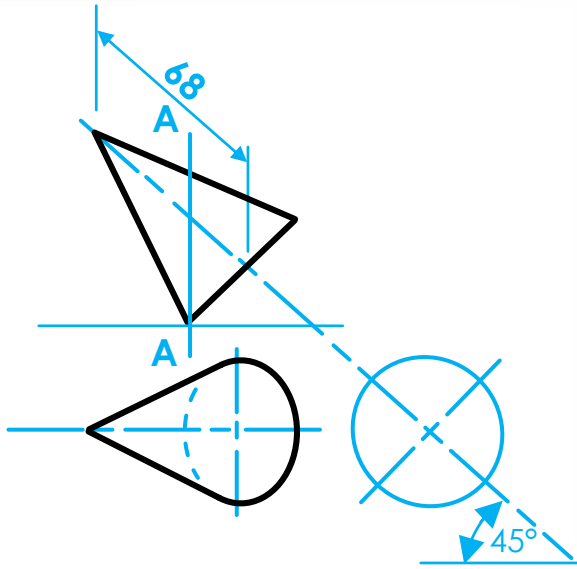
Application on cylinders and cones



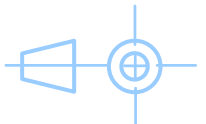
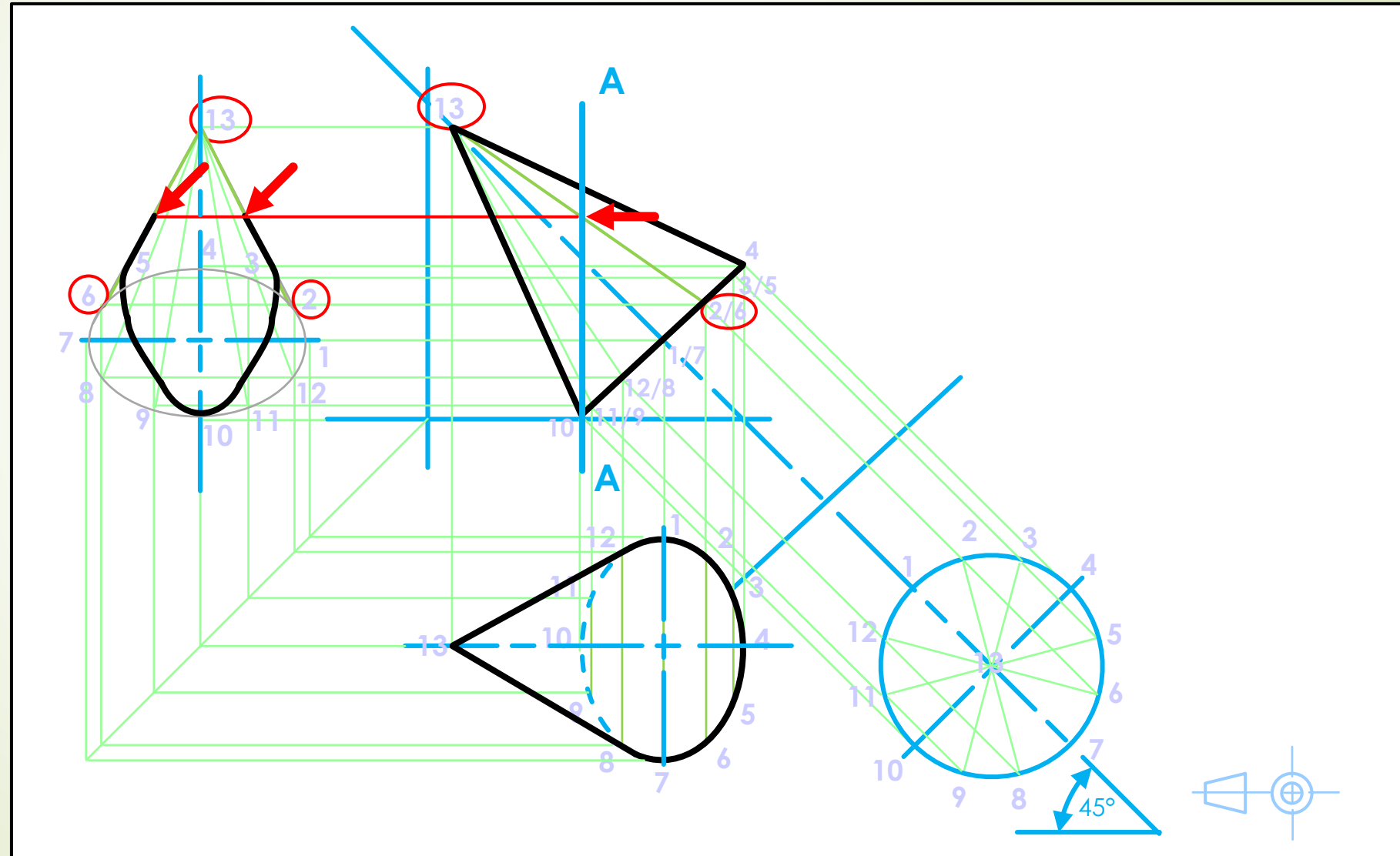
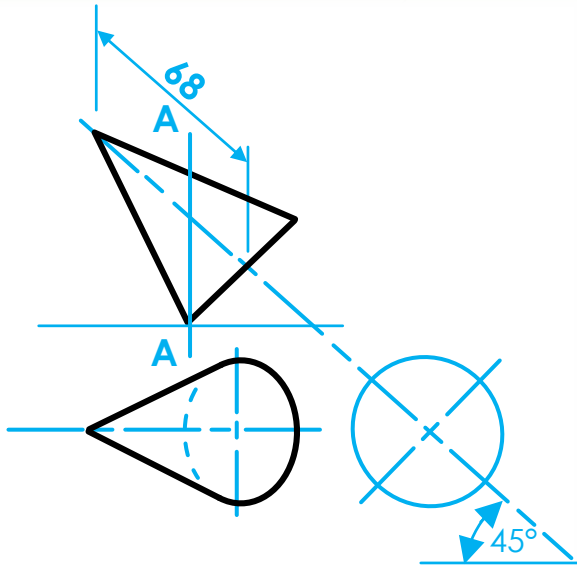
Application on cylinders and cones



Application on cylinders and cones



Application on cylinders and cones



Application on cylinders and cones

