



Application on polygons

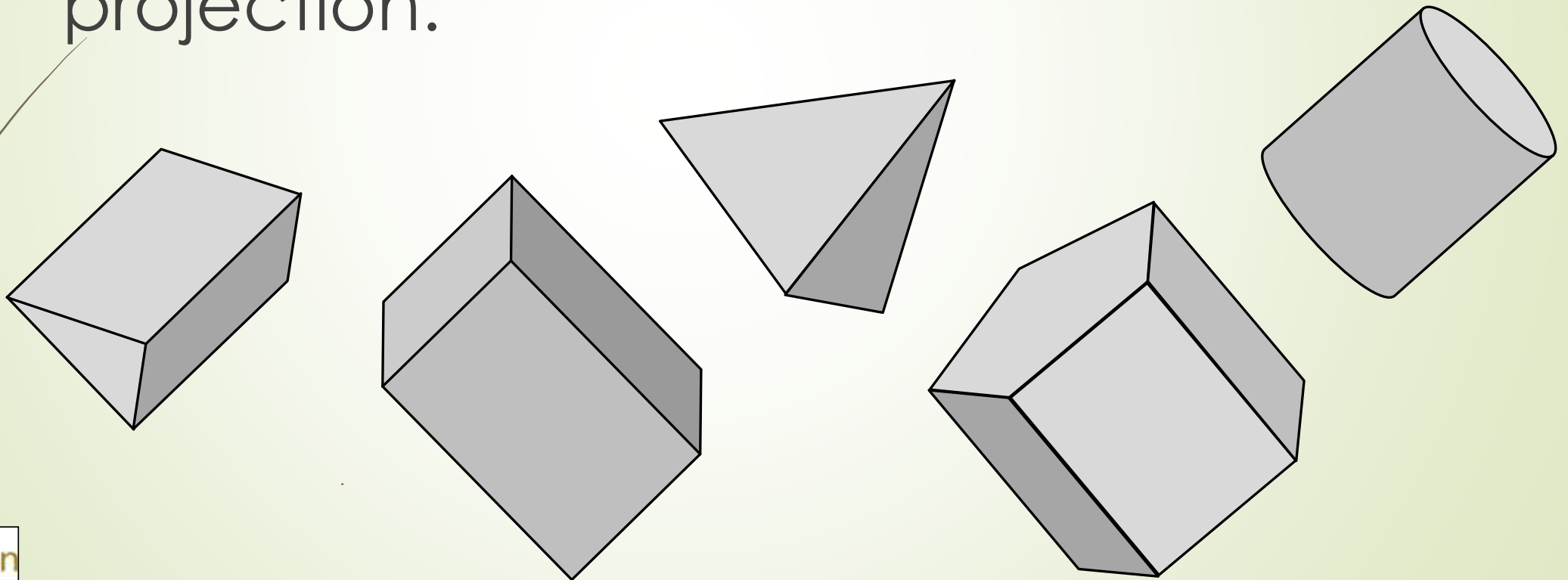
Horizontal Sectioning

Grade 10, 11 & 12

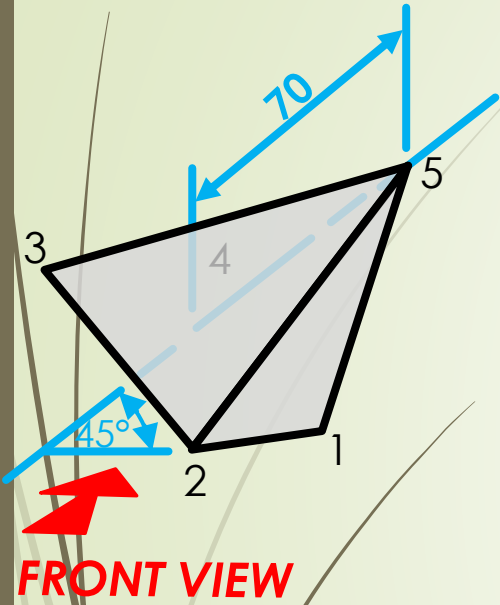
Developed by: PC Viljoen
Senior Educational Specialist for
Engineering Graphics and Design
Free State Province

Application on pyramids, prisms, cones and cylinders

- ➔ Draw inclined pyramids, prisms, cones and cylinders in first angle orthographic projection.



Application on pyramids and prisms



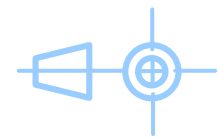
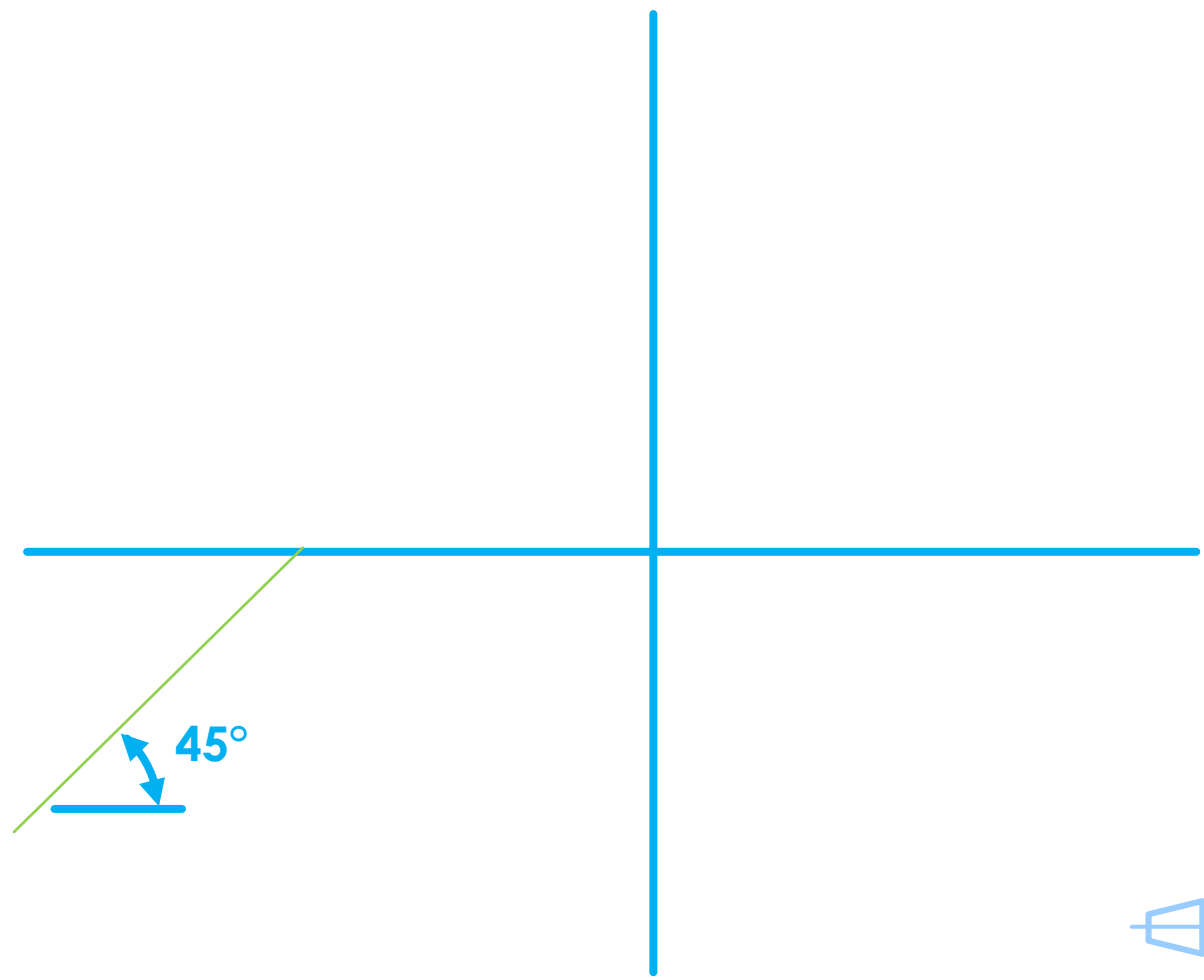
Given:

A square pyramid

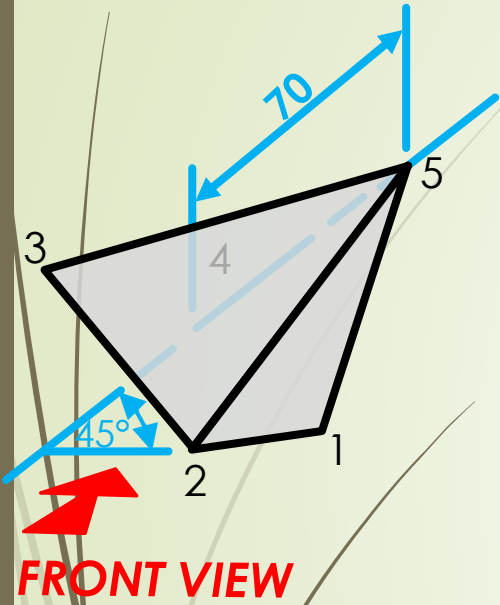
Question:

In F.A.O.P. draw...

1. A front view
2. A left view
3. A top view



Application on pyramids and prisms



FRONT VIEW

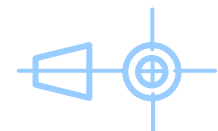
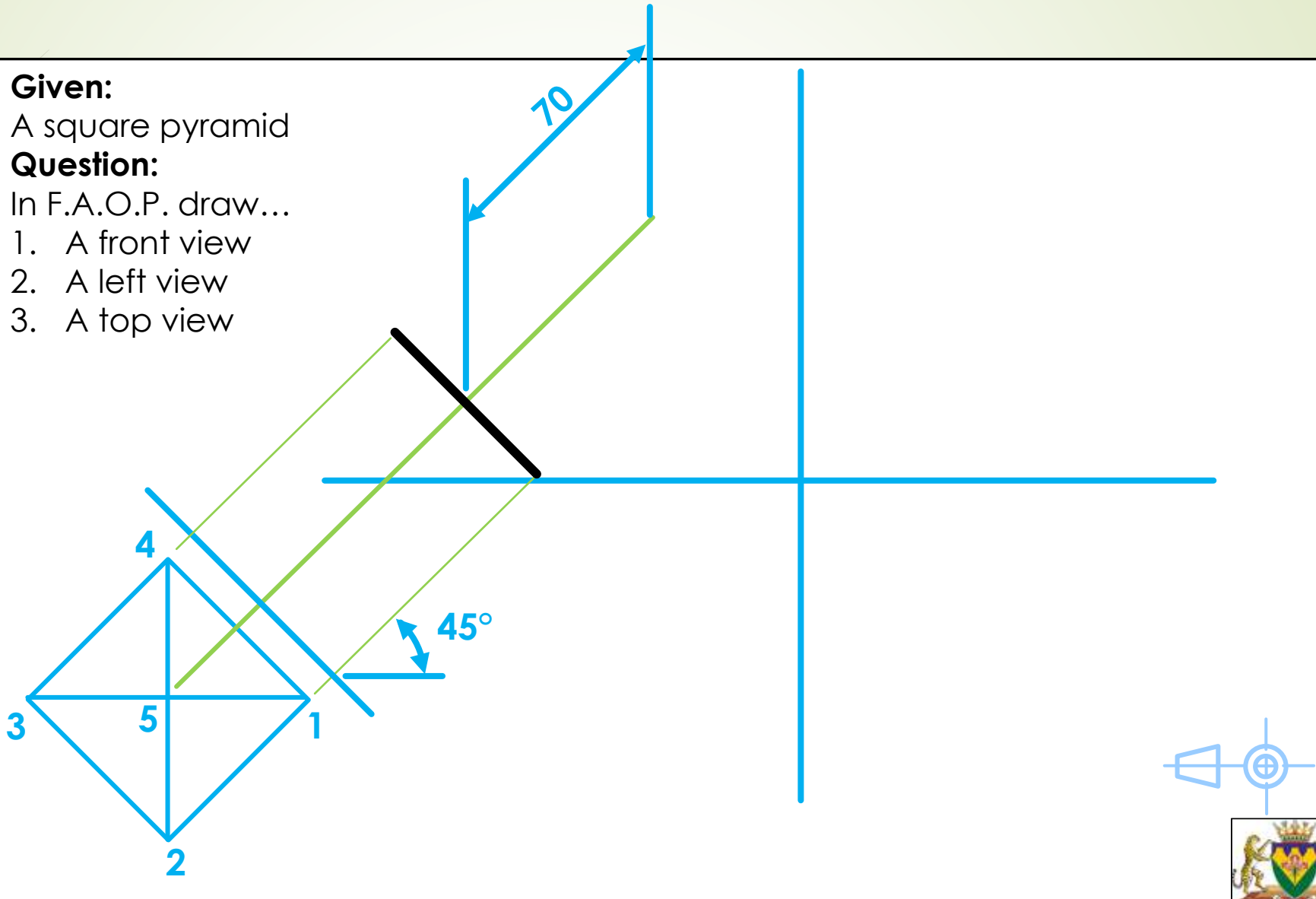
Given:

A square pyramid

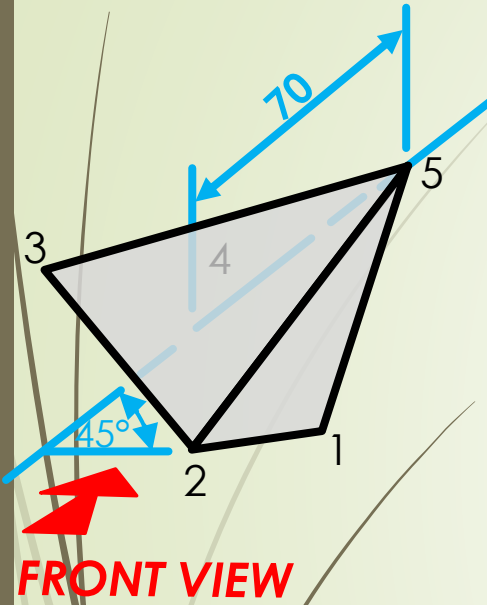
Question:

In F.A.O.P. draw...

1. A front view
2. A left view
3. A top view



Application on pyramids and prisms



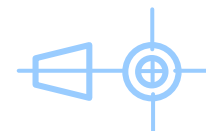
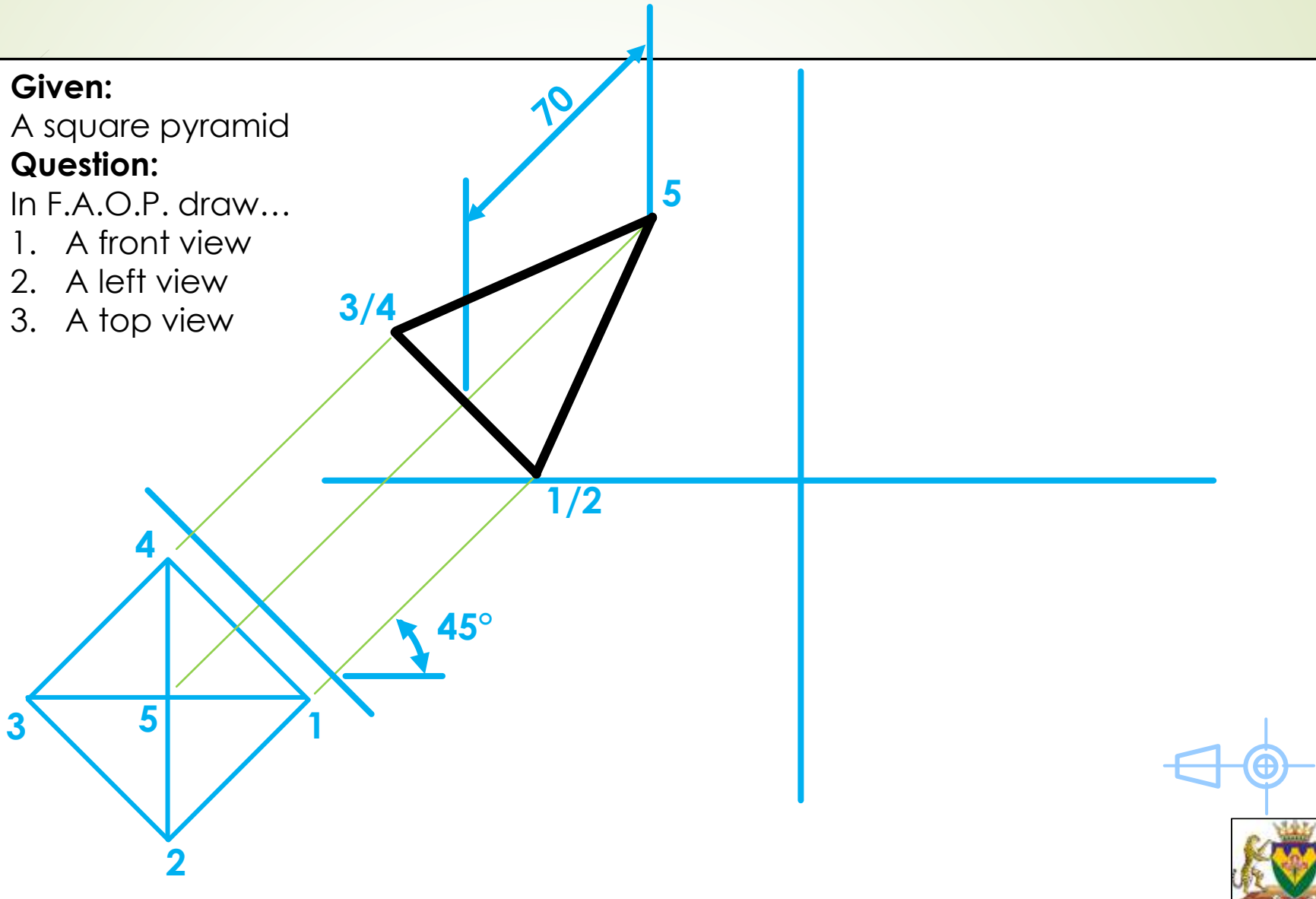
Given:

A square pyramid

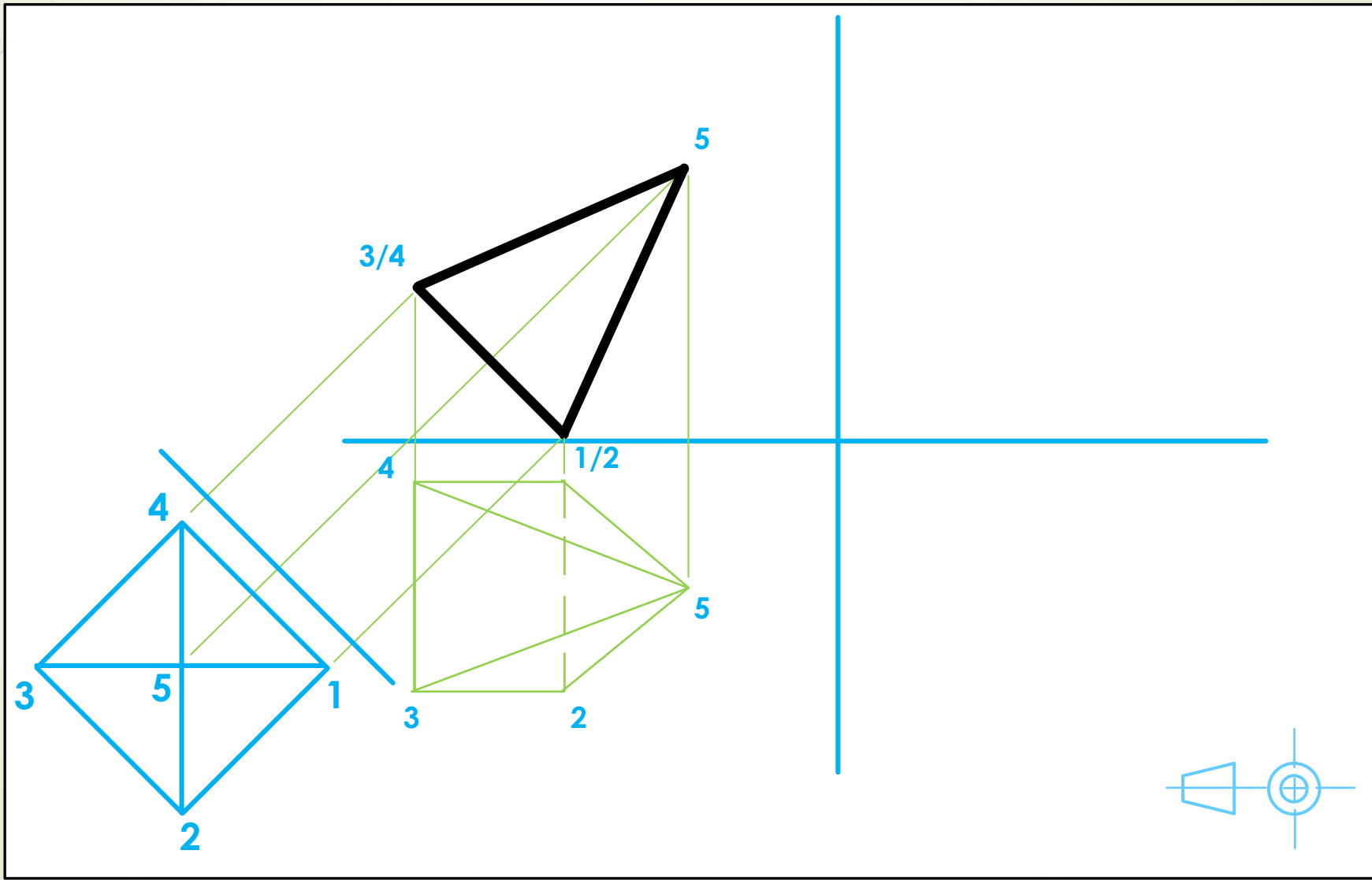
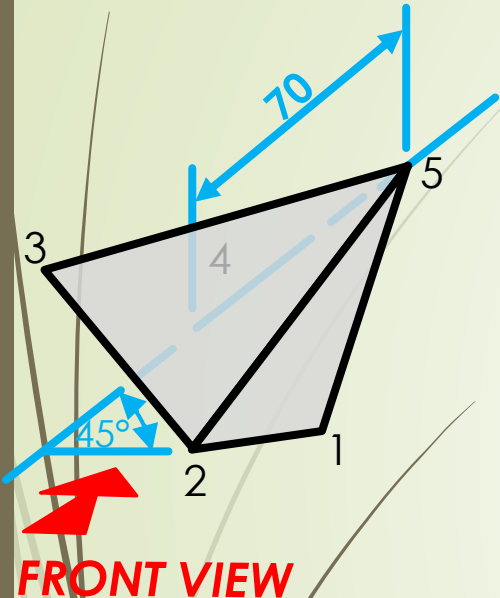
Question:

In F.A.O.P. draw...

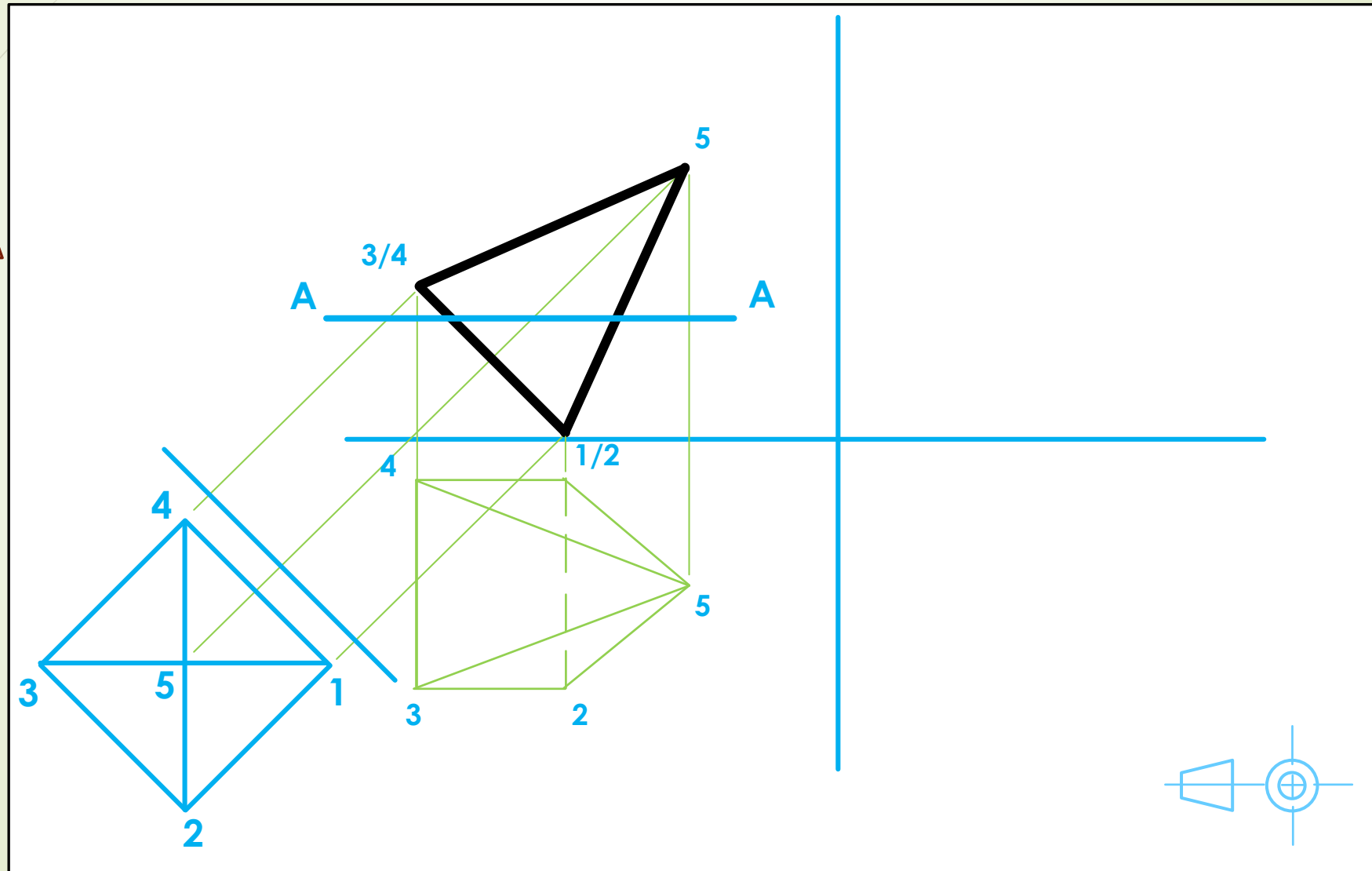
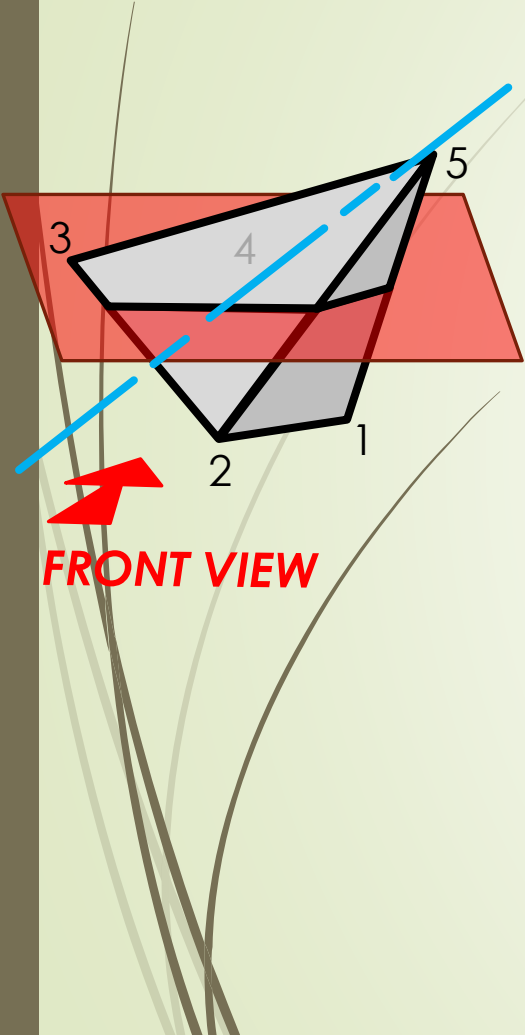
1. A front view
2. A left view
3. A top view



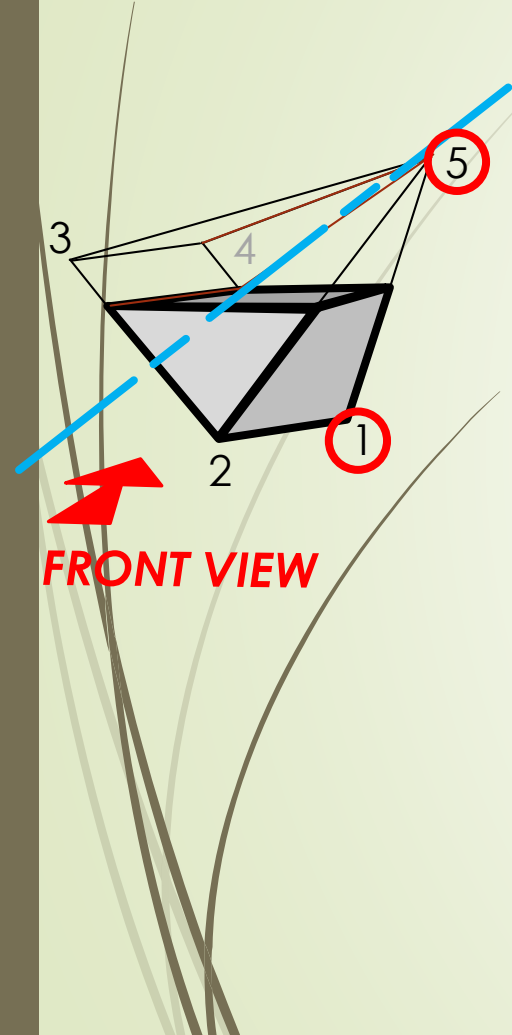
Application on pyramids, prisms, cones and cylinders



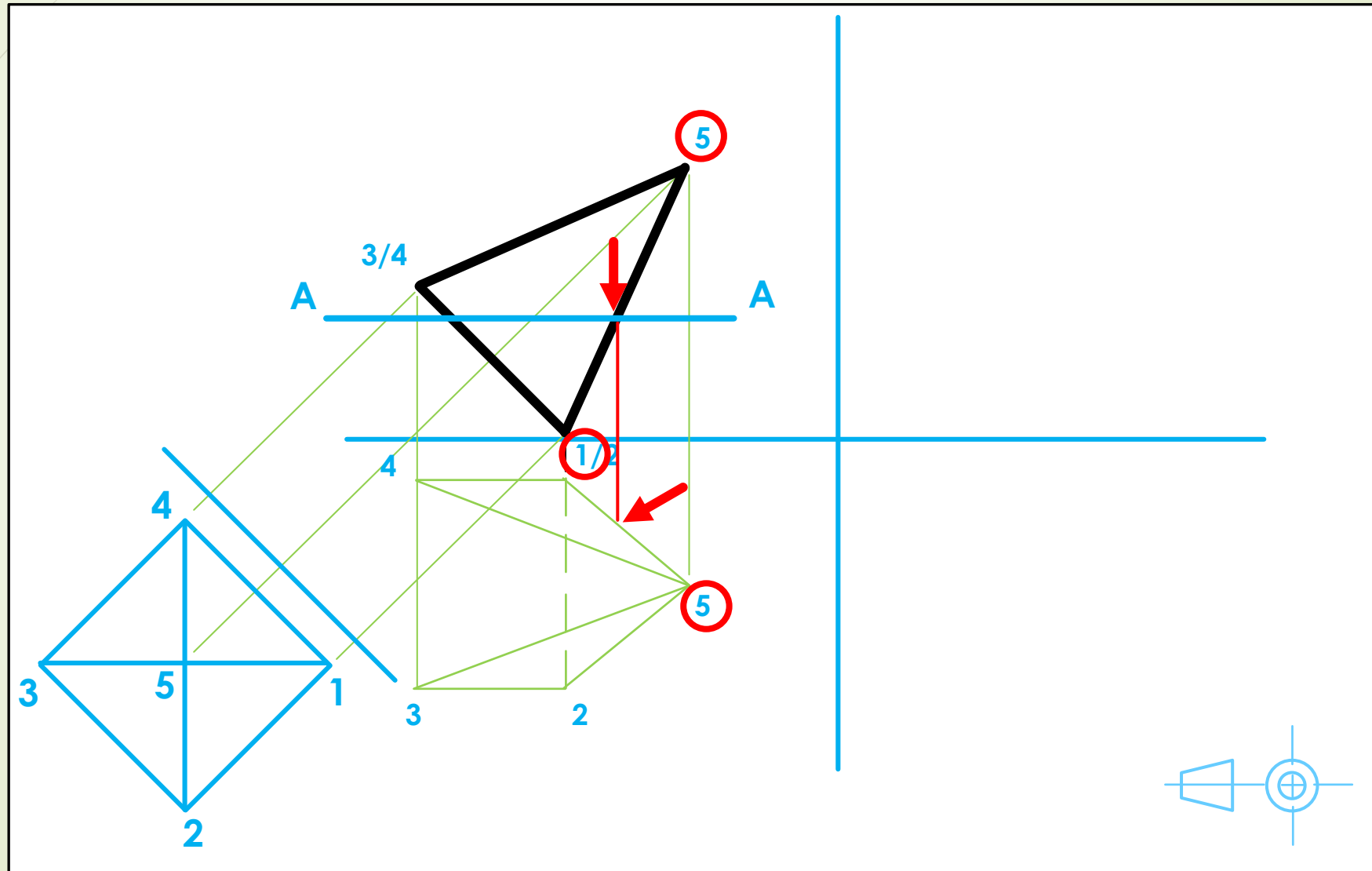
Application on pyramids, prisms, cones and cylinders



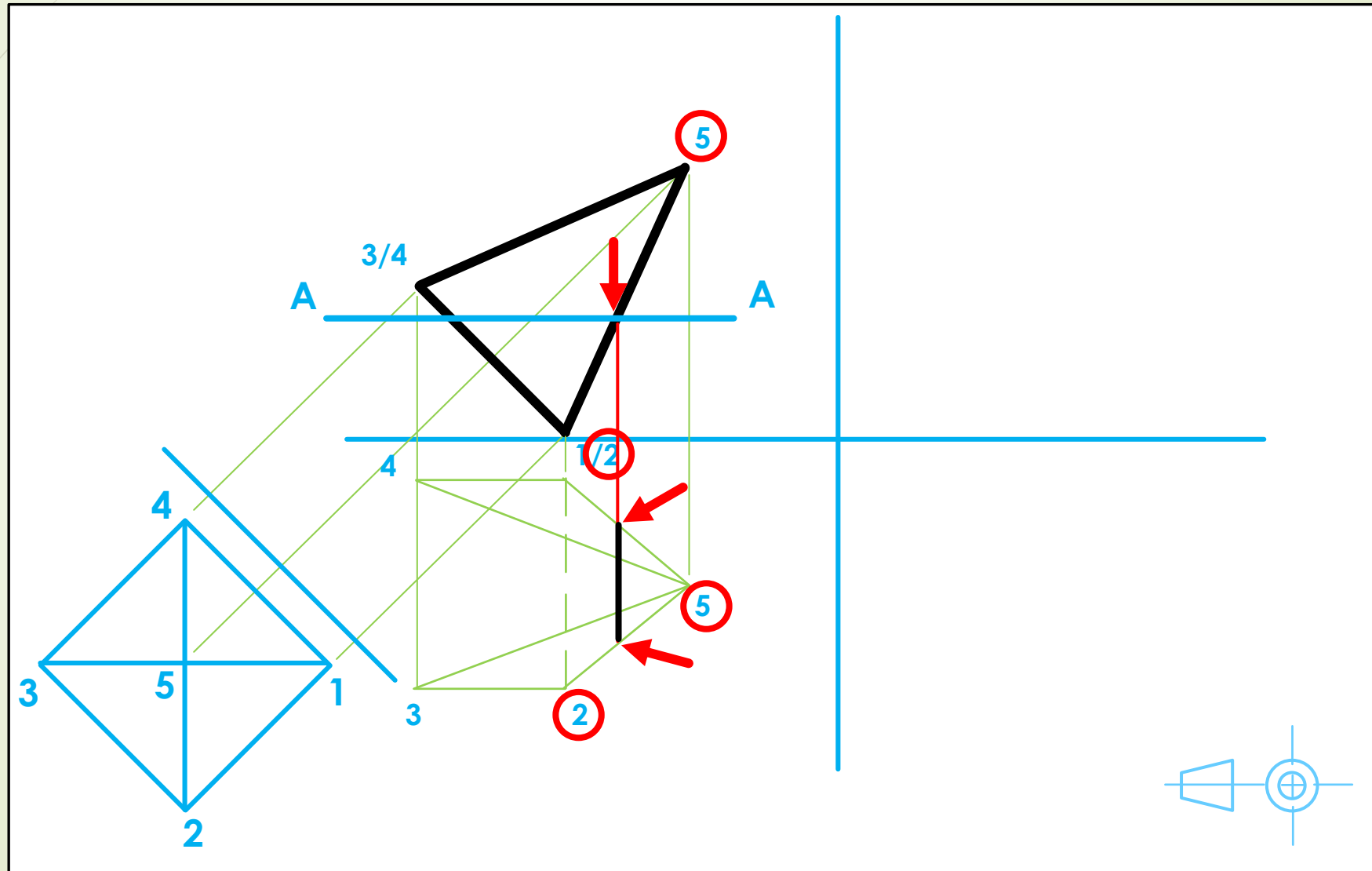
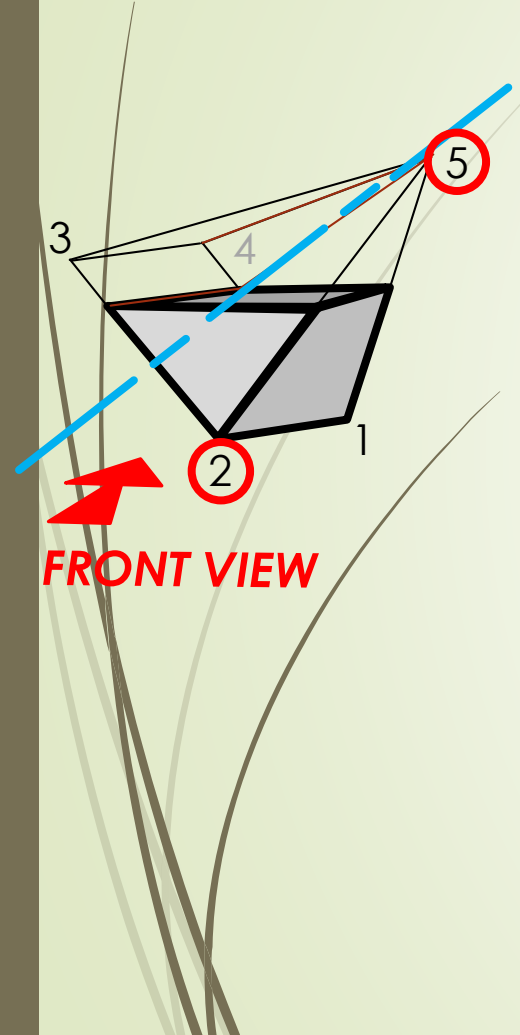
Application on pyramids, prisms, cones and cylinders



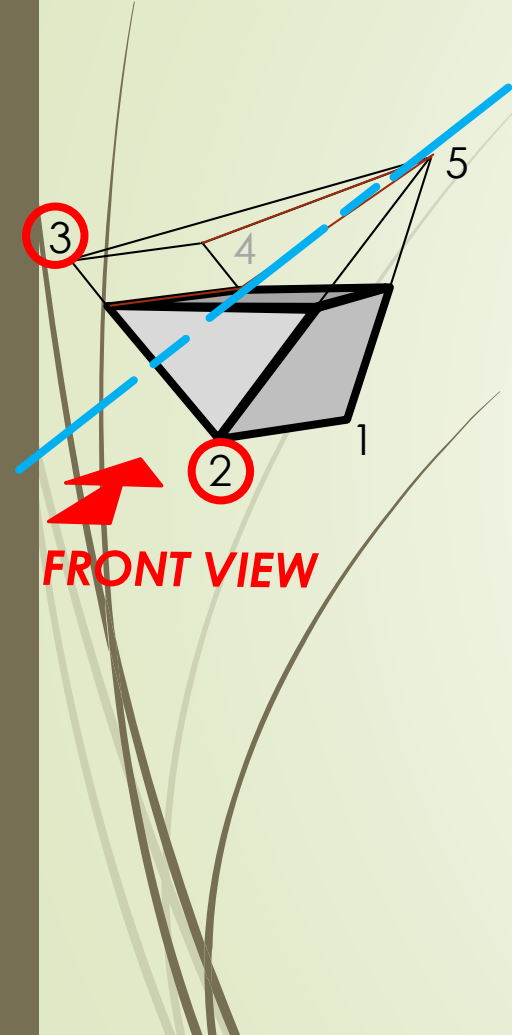
FRONT VIEW



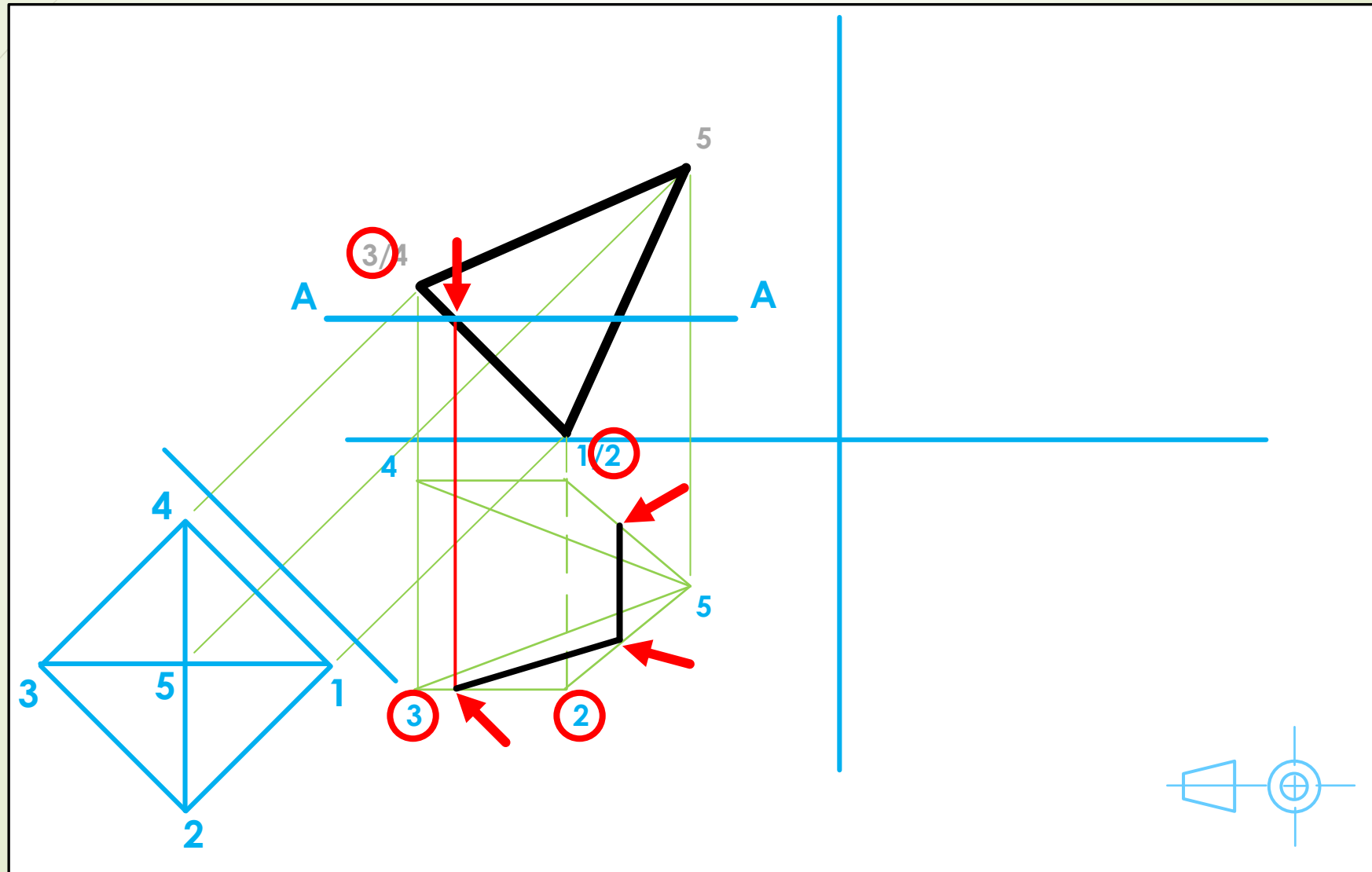
Application on pyramids, prisms, cones and cylinders



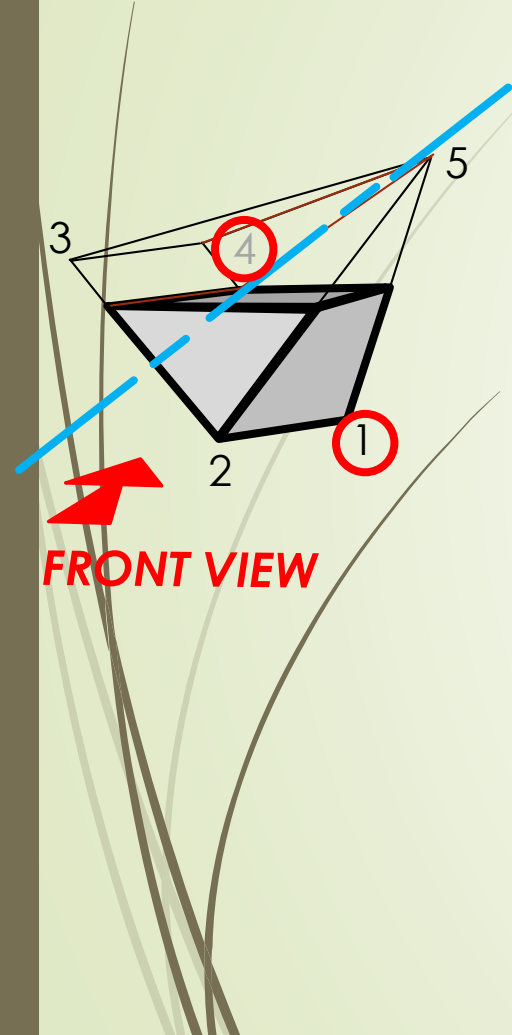
Application on pyramids, prisms, cones and cylinders



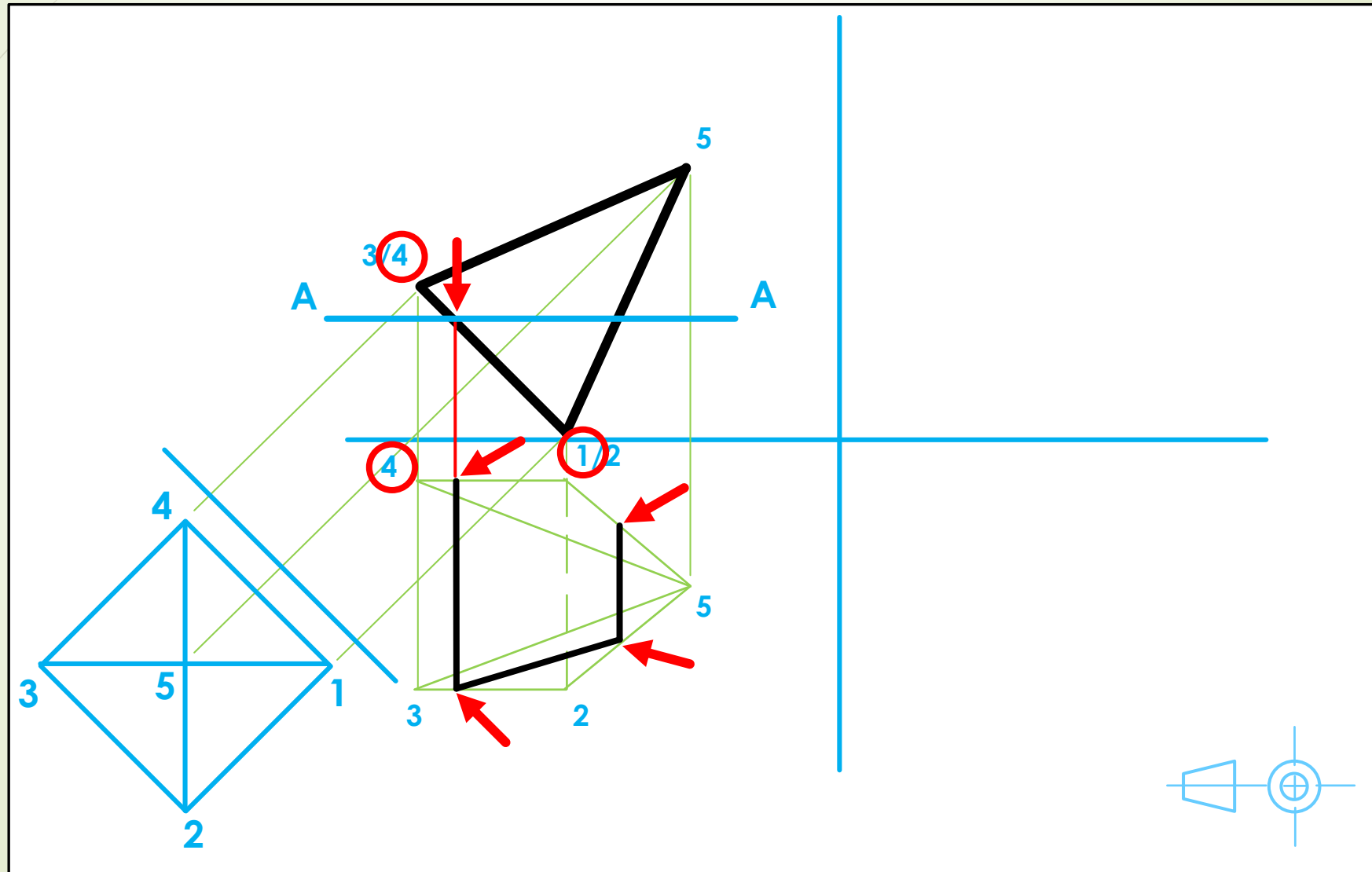
FRONT VIEW



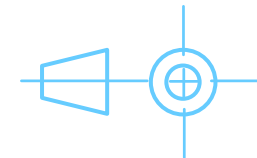
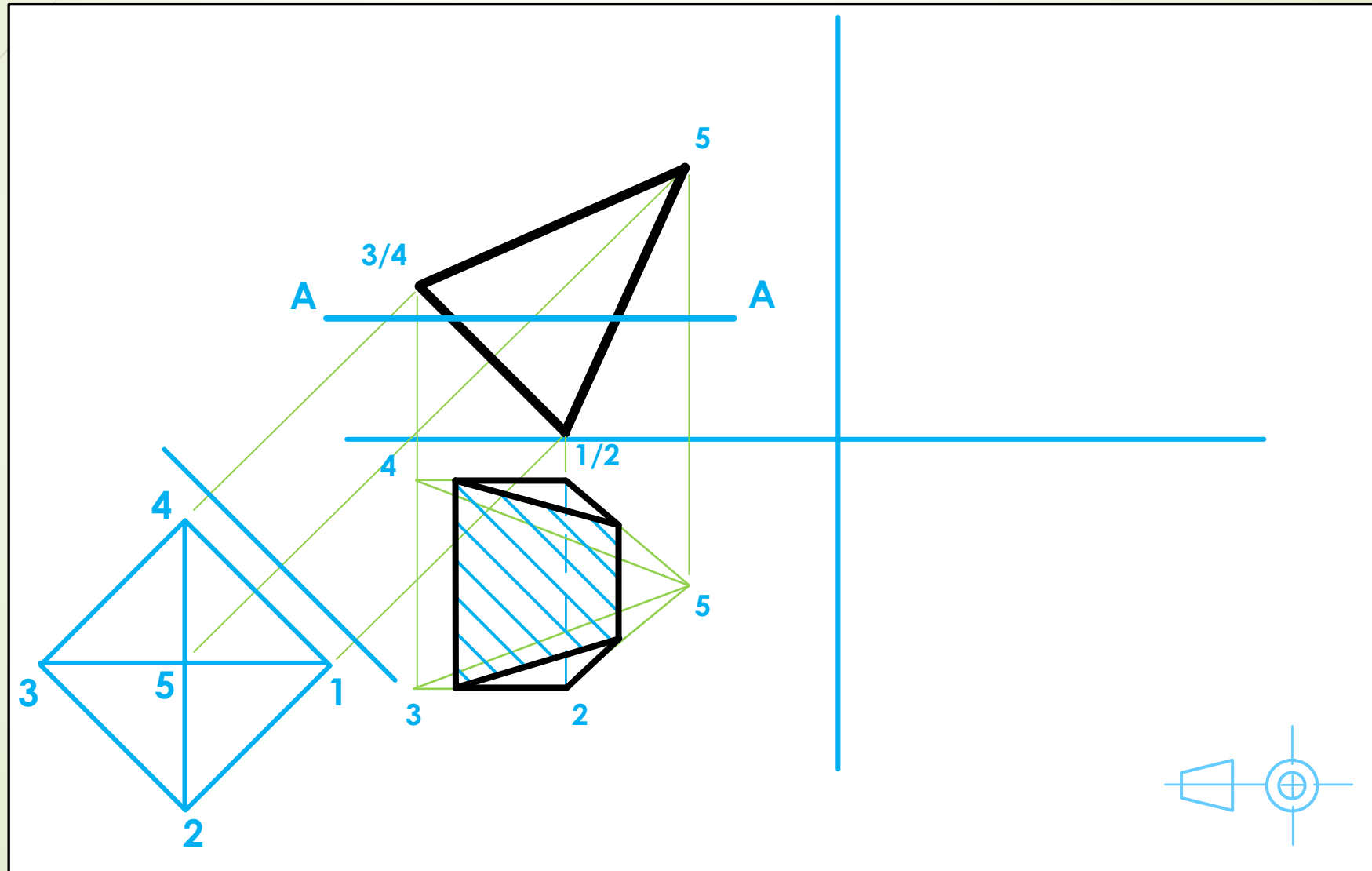
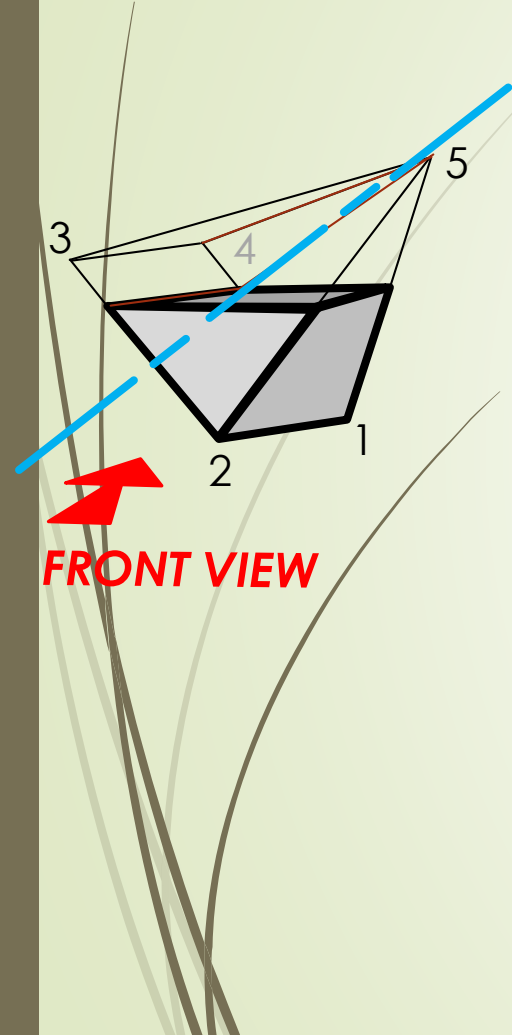
Application on pyramids, prisms, cones and cylinders



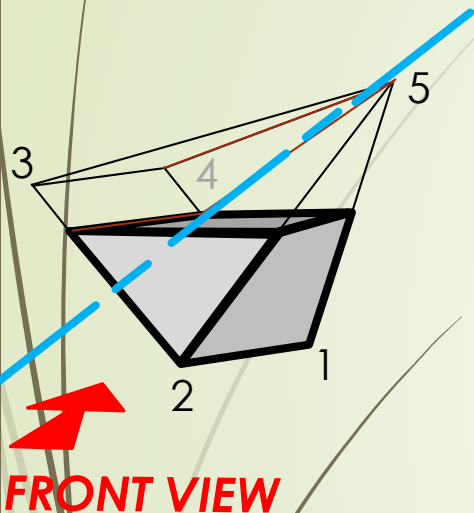
FRONT VIEW



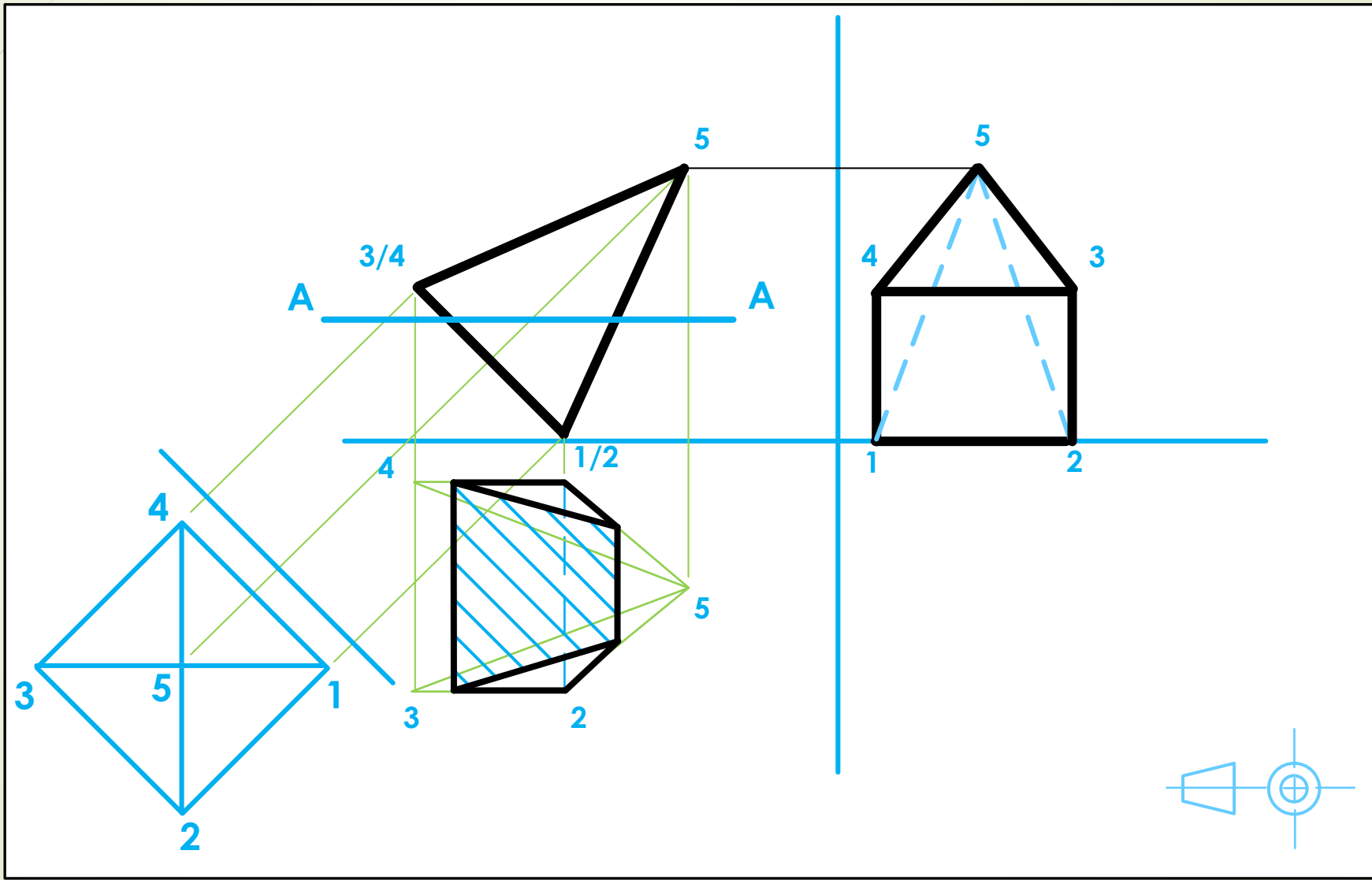
Application on pyramids, prisms, cones and cylinders



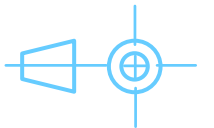
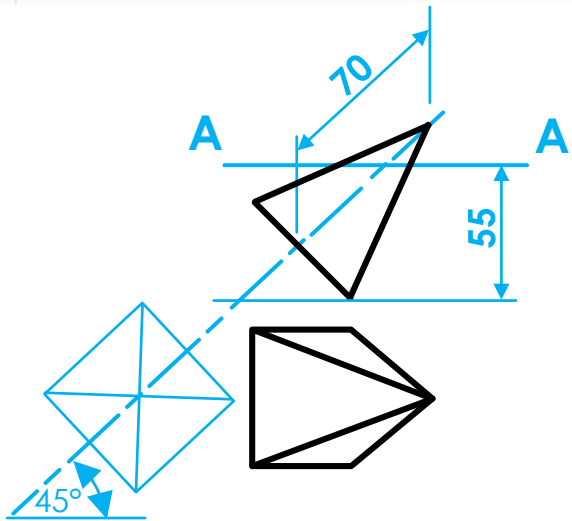
Application on pyramids, prisms, cones and cylinders



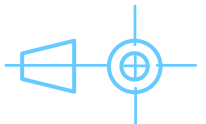
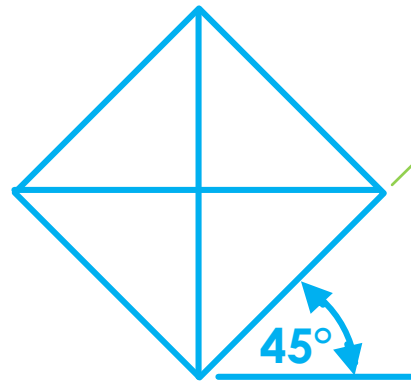
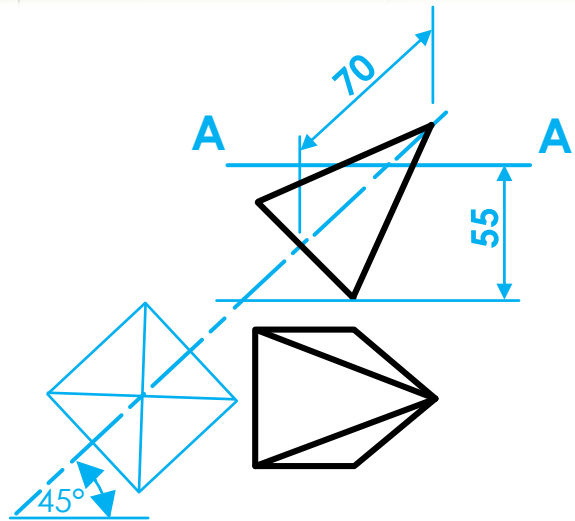
FRONT VIEW



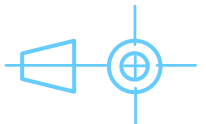
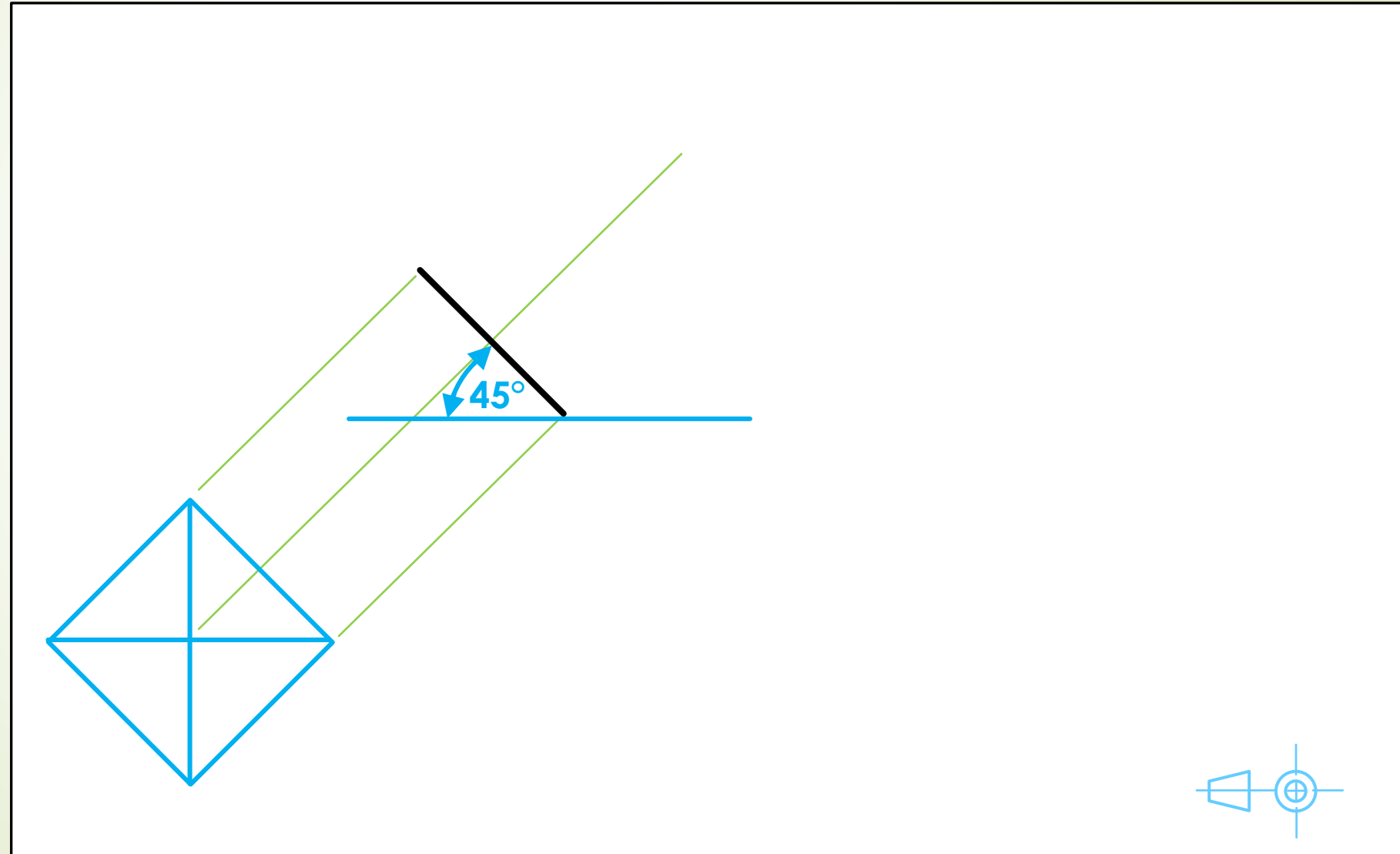
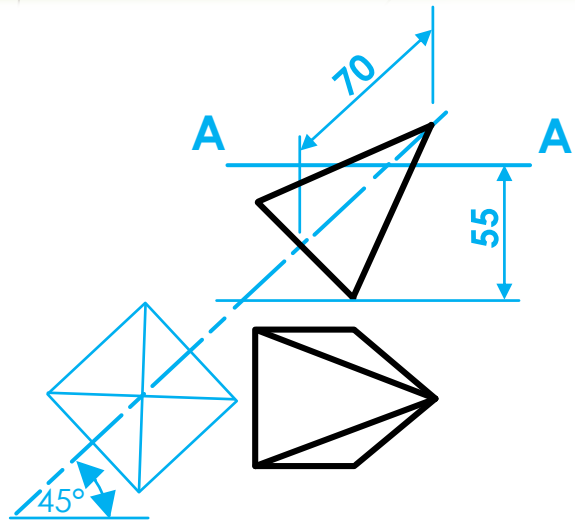
A combination of pyramids, prisms, cones and cylinders



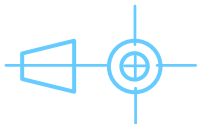
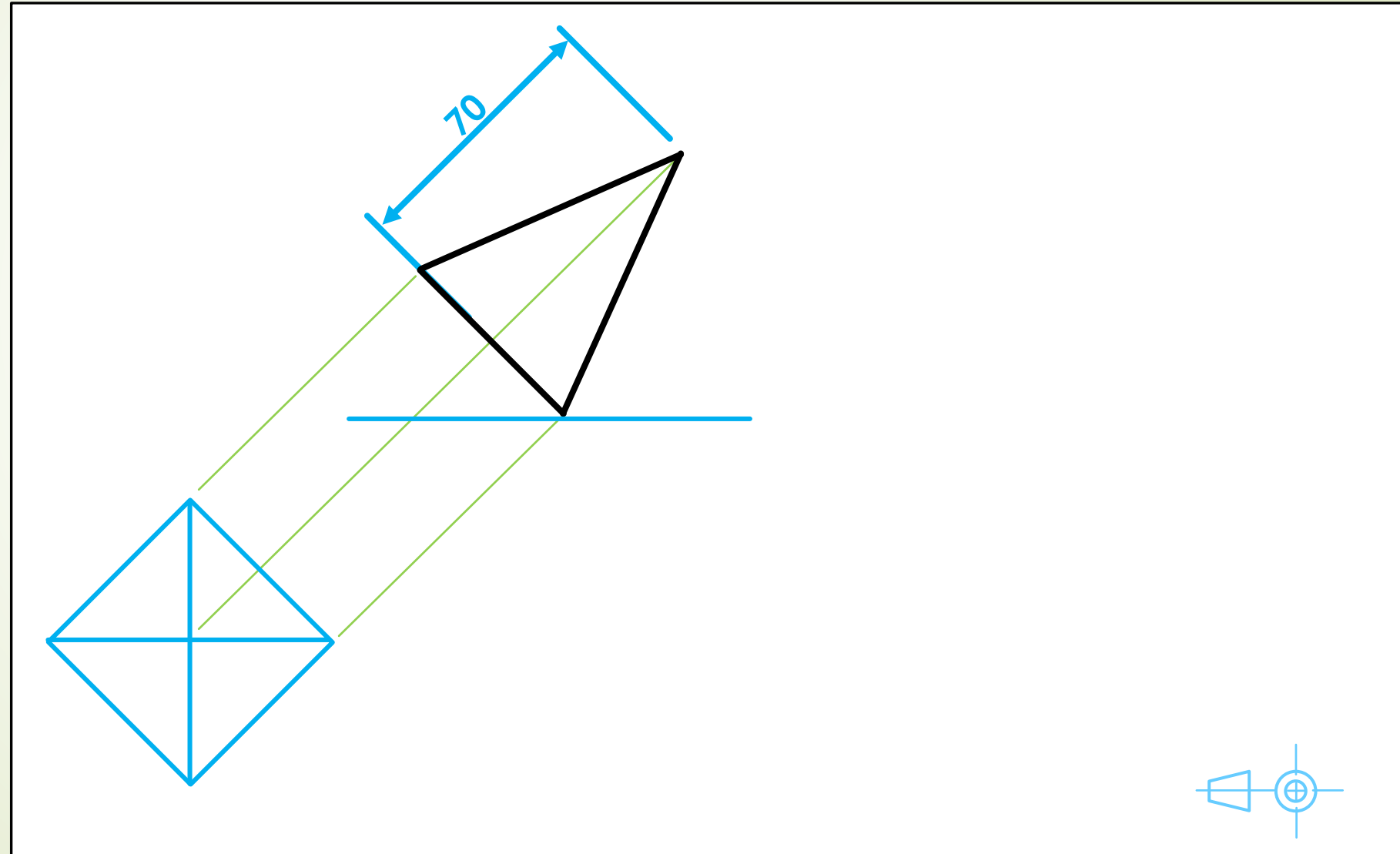
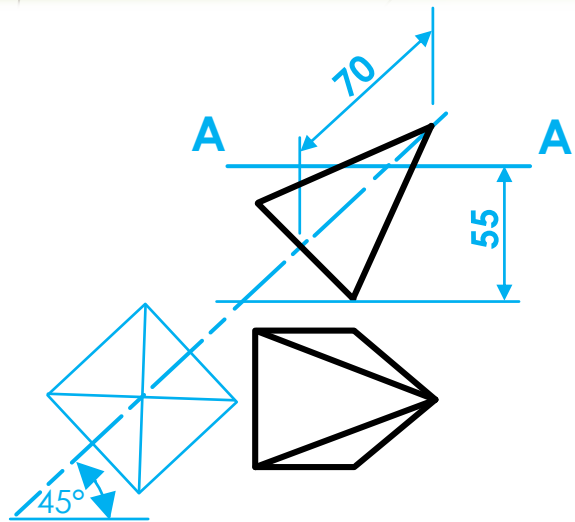
A combination of pyramids, prisms, cones and cylinders



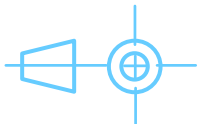
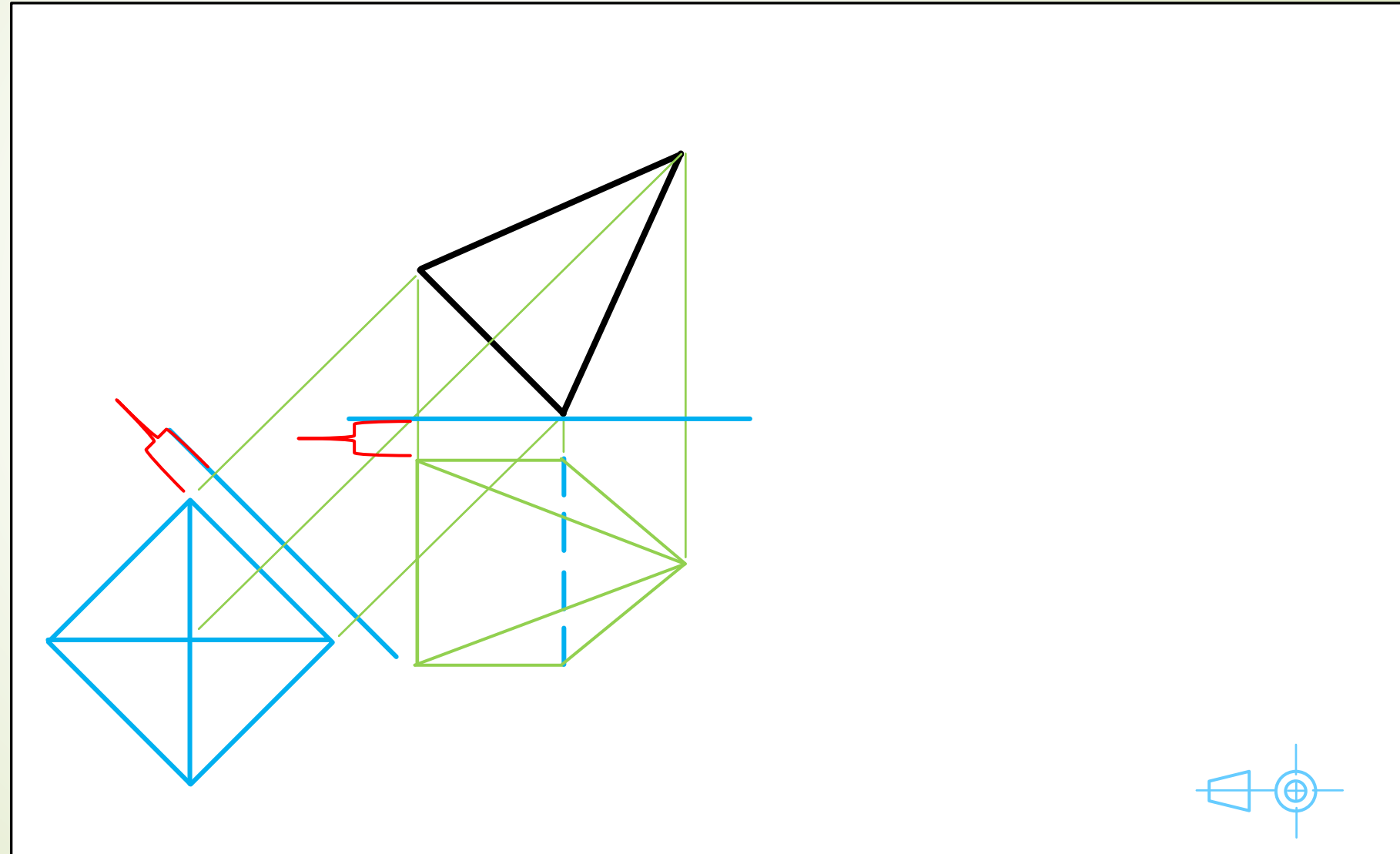
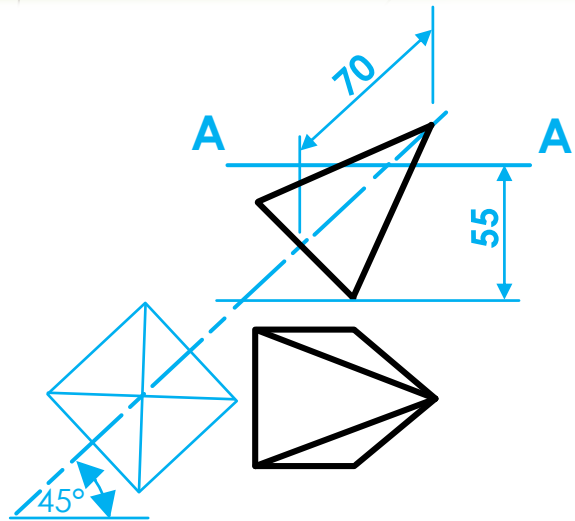
A combination of pyramids, prisms, cones and cylinders



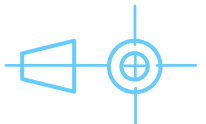
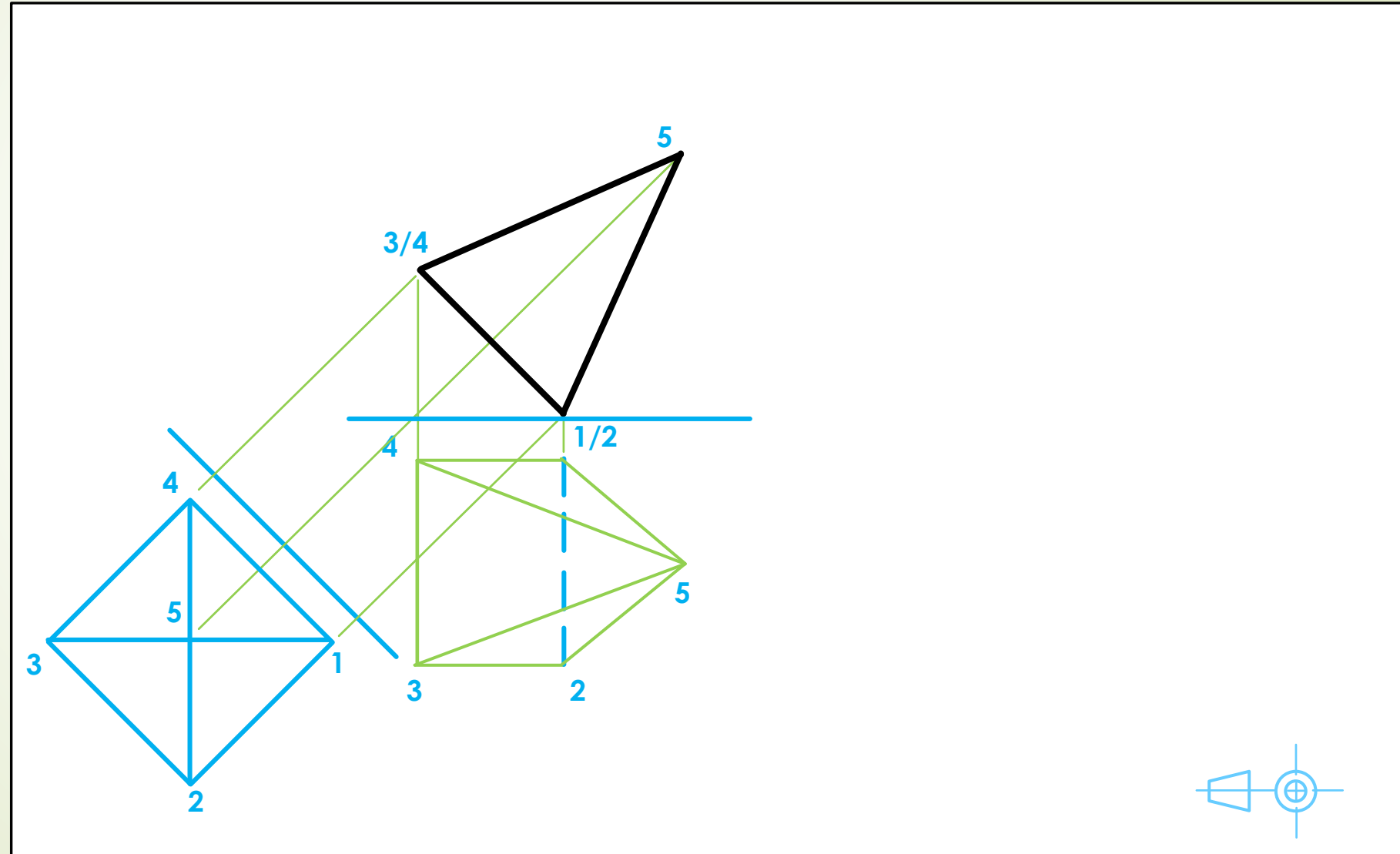
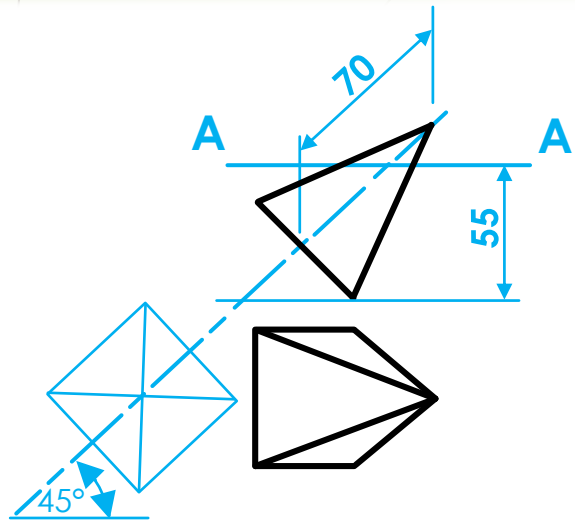
A combination of pyramids, prisms, cones and cylinders



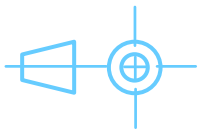
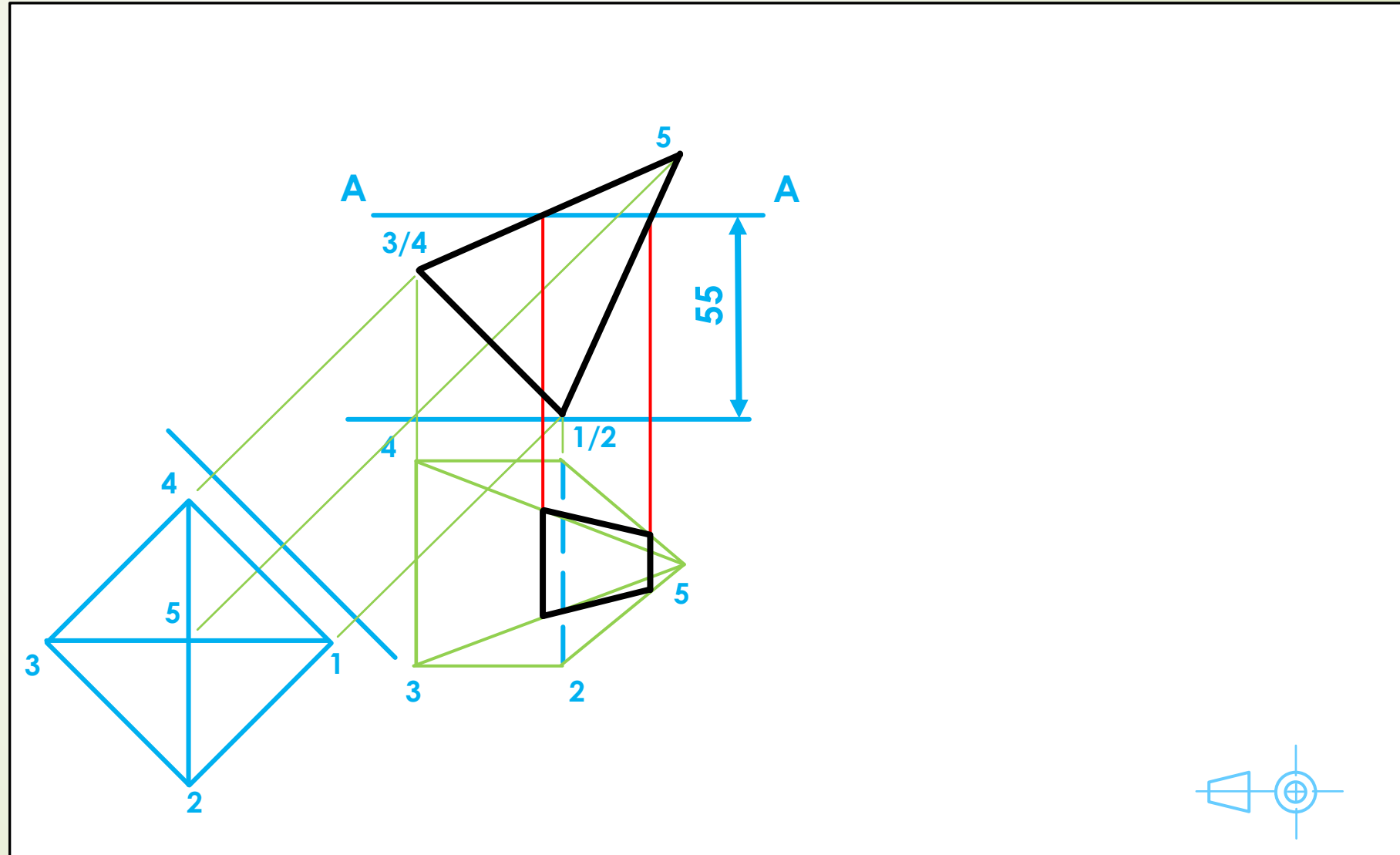
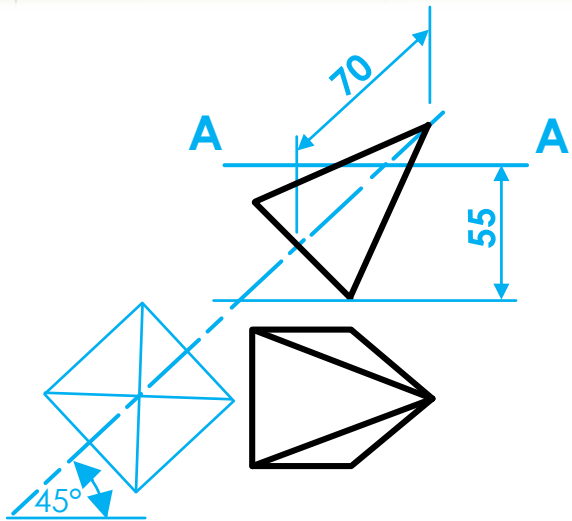
A combination of pyramids, prisms, cones and cylinders



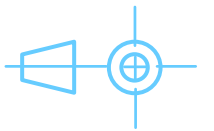
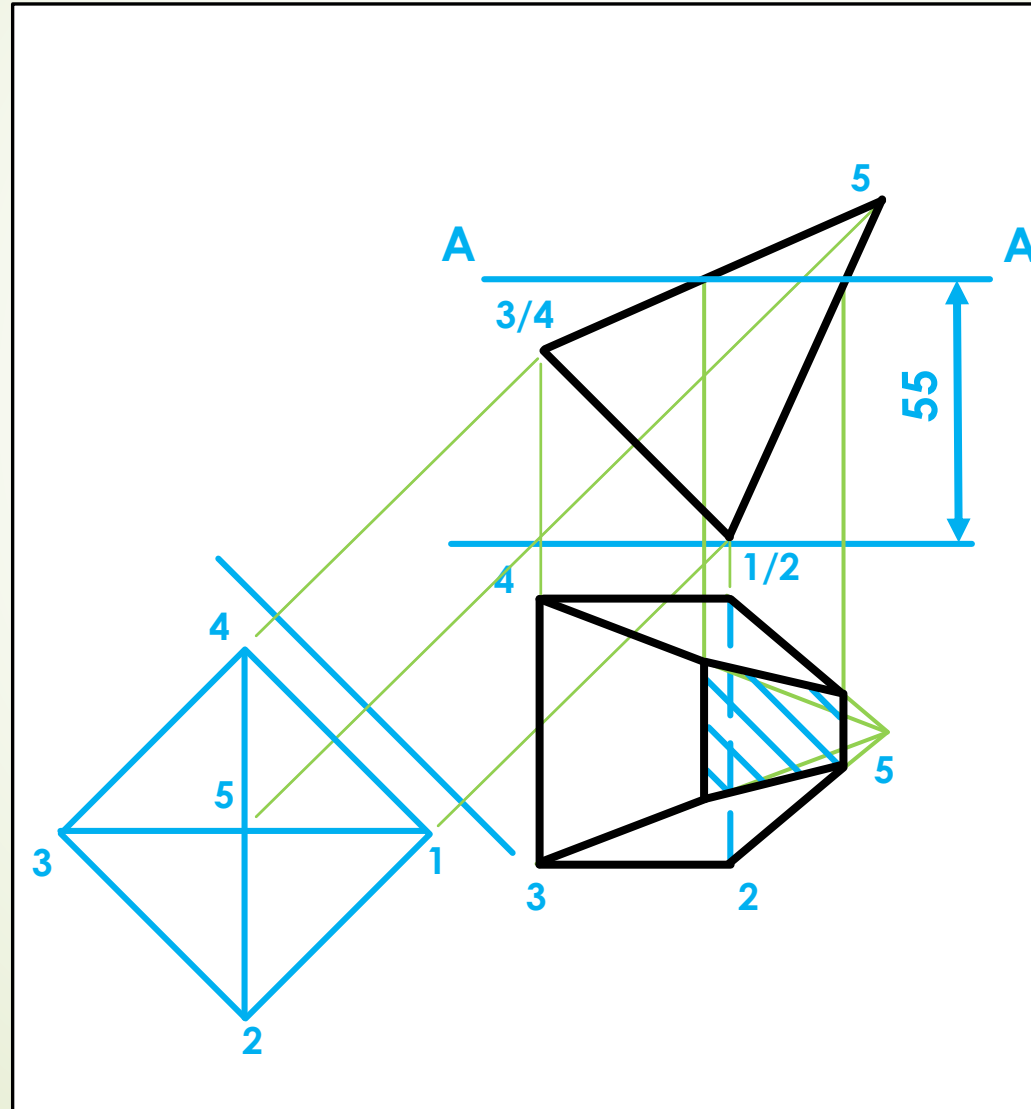
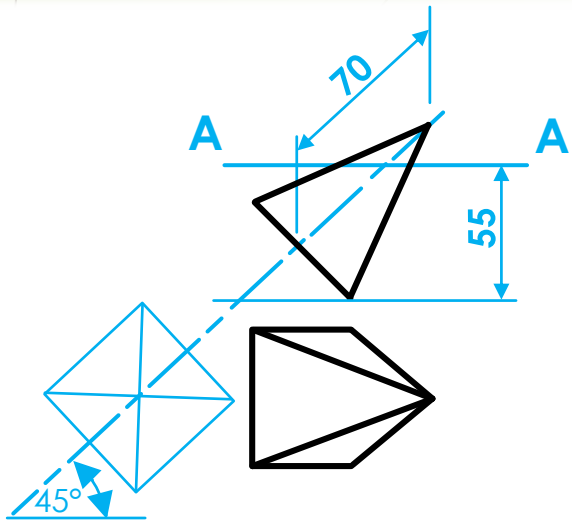
A combination of pyramids, prisms, cones and cylinders



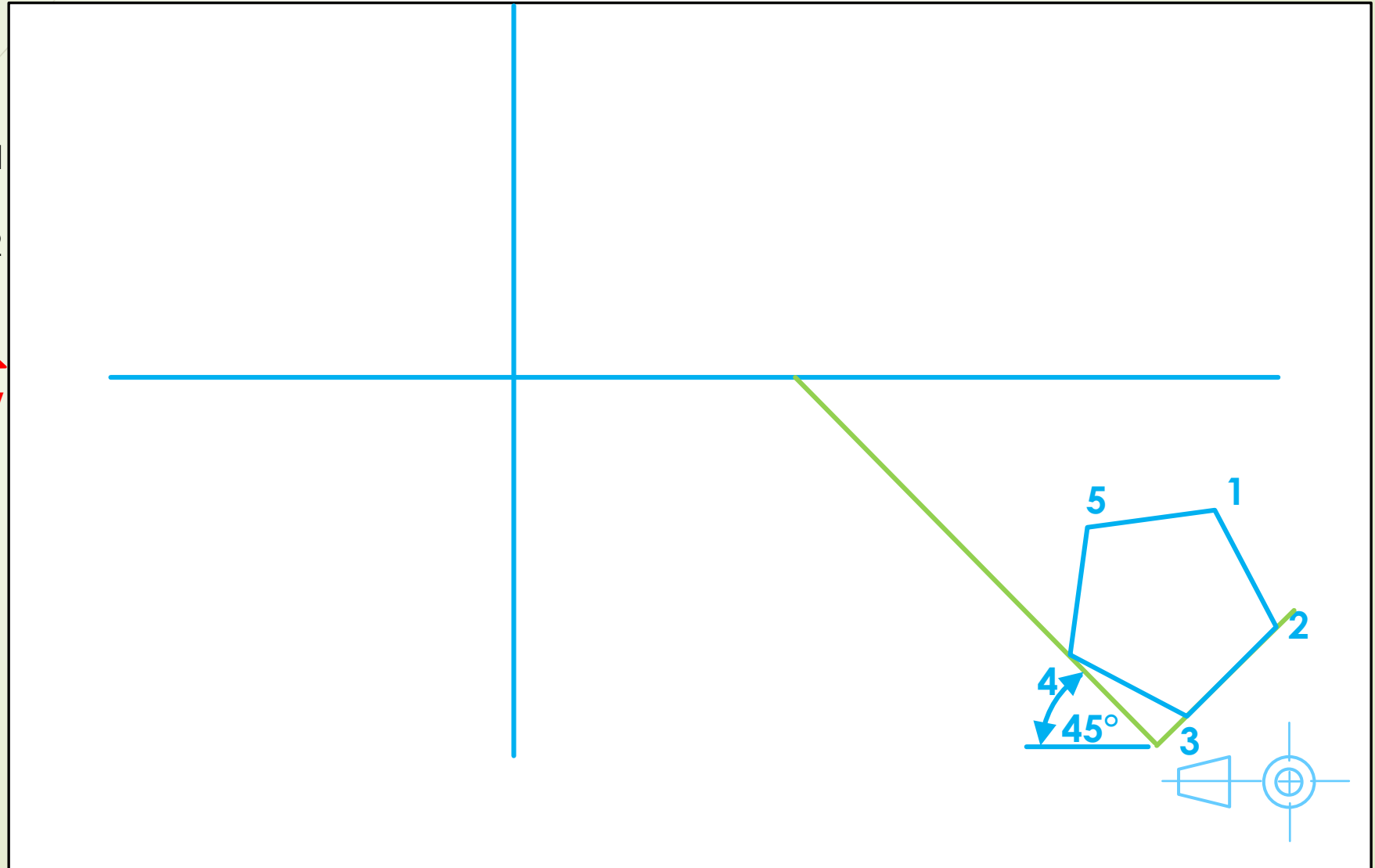
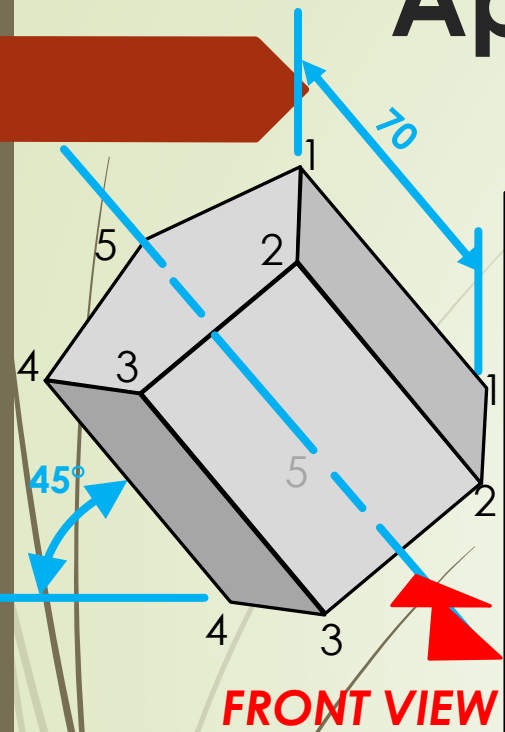
A combination of pyramids, prisms, cones and cylinders



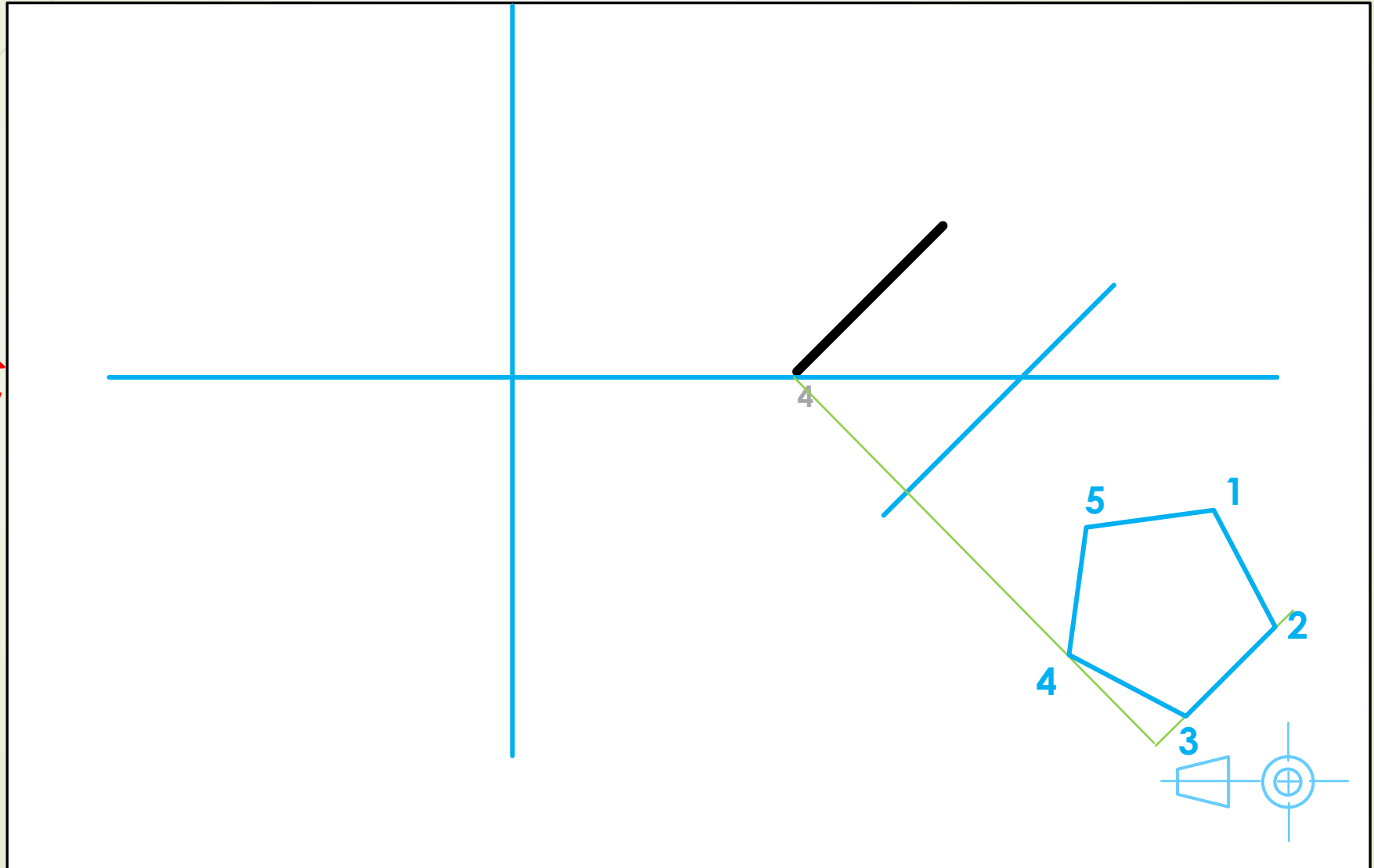
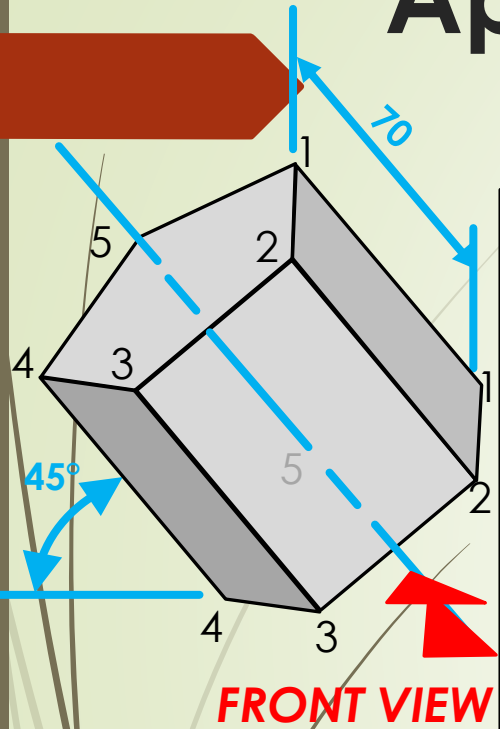
A combination of pyramids, prisms, cones and cylinders



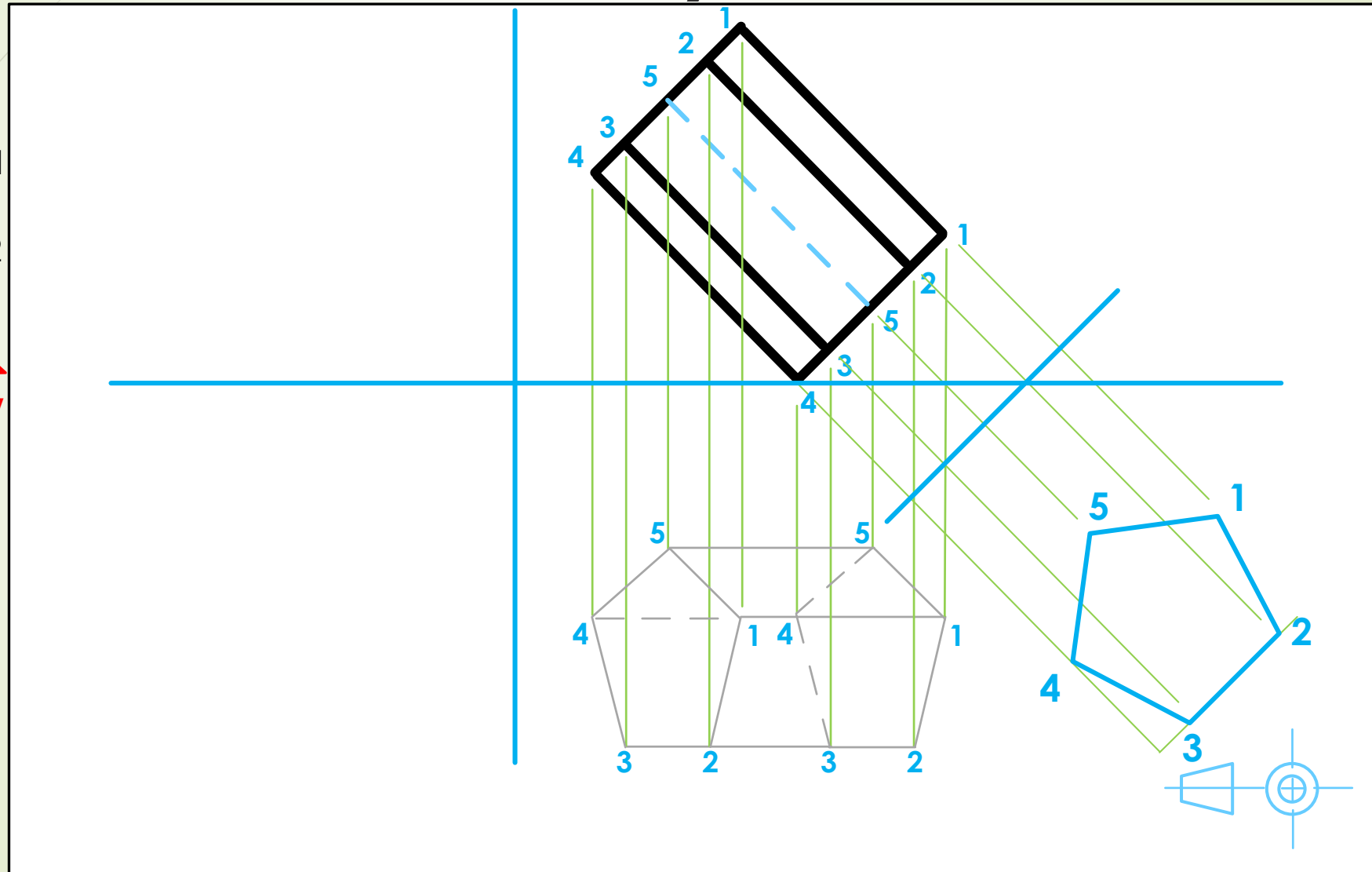
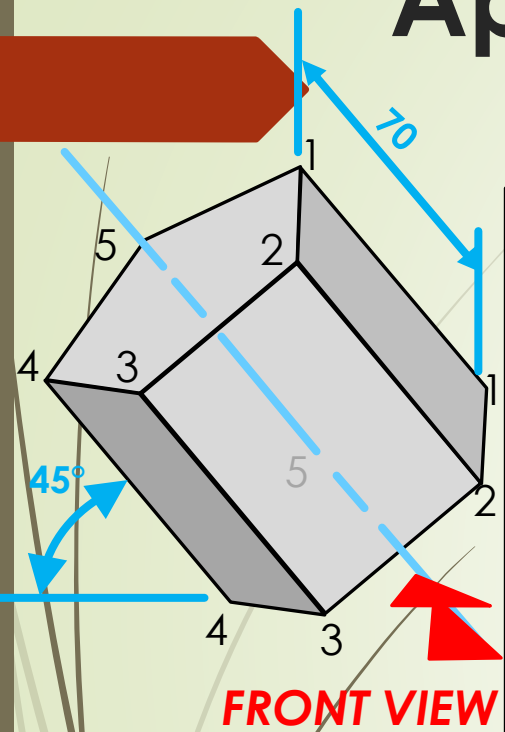
Application on pyramids, prisms, cones and cylinders



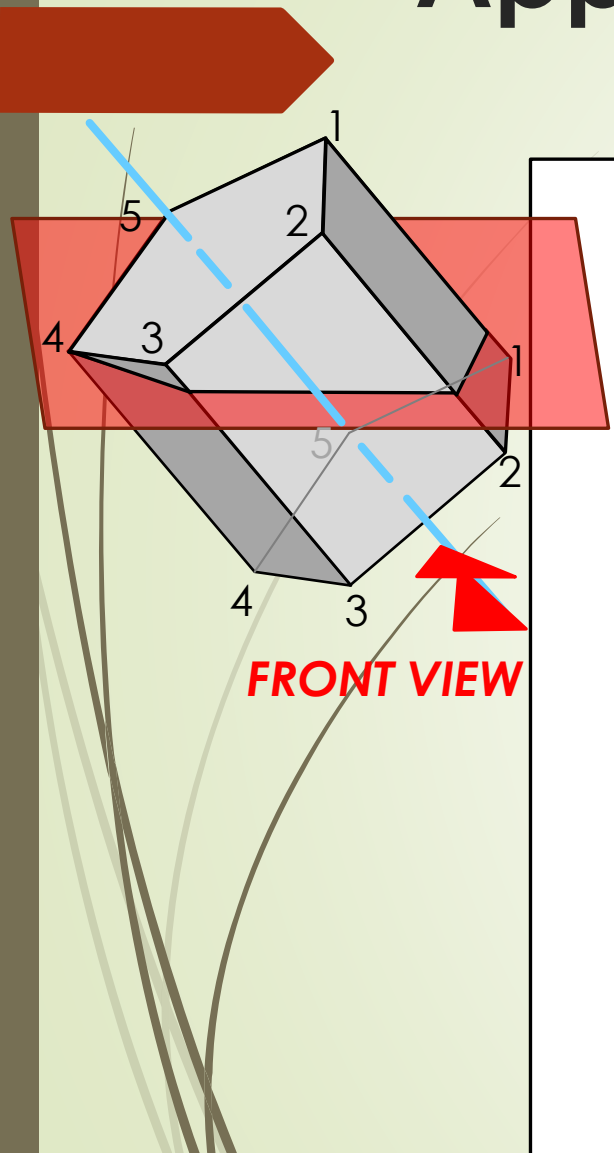
Application on pyramids, prisms, cones and cylinders



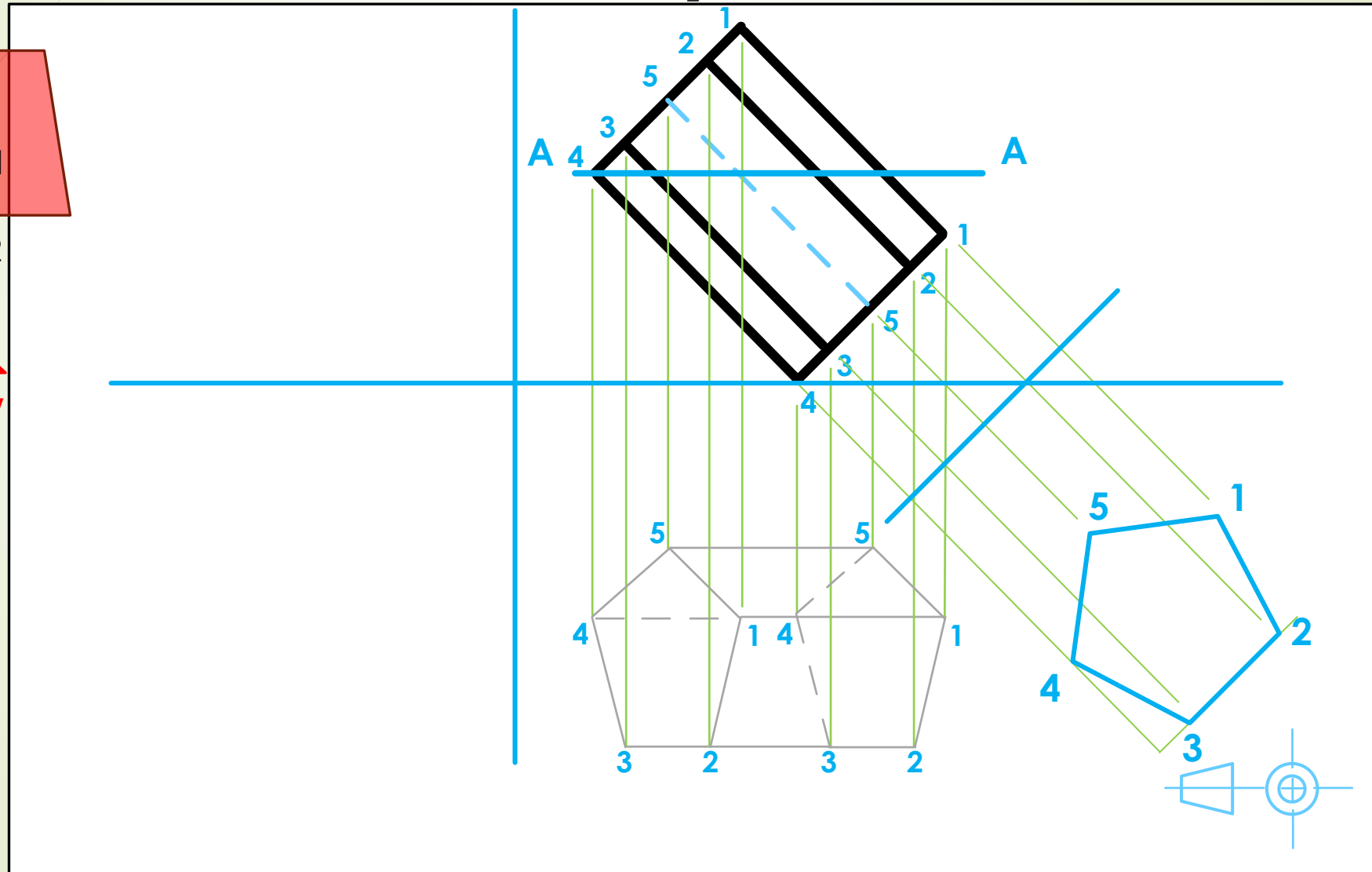
Application on pyramids, prisms, cones and cylinders



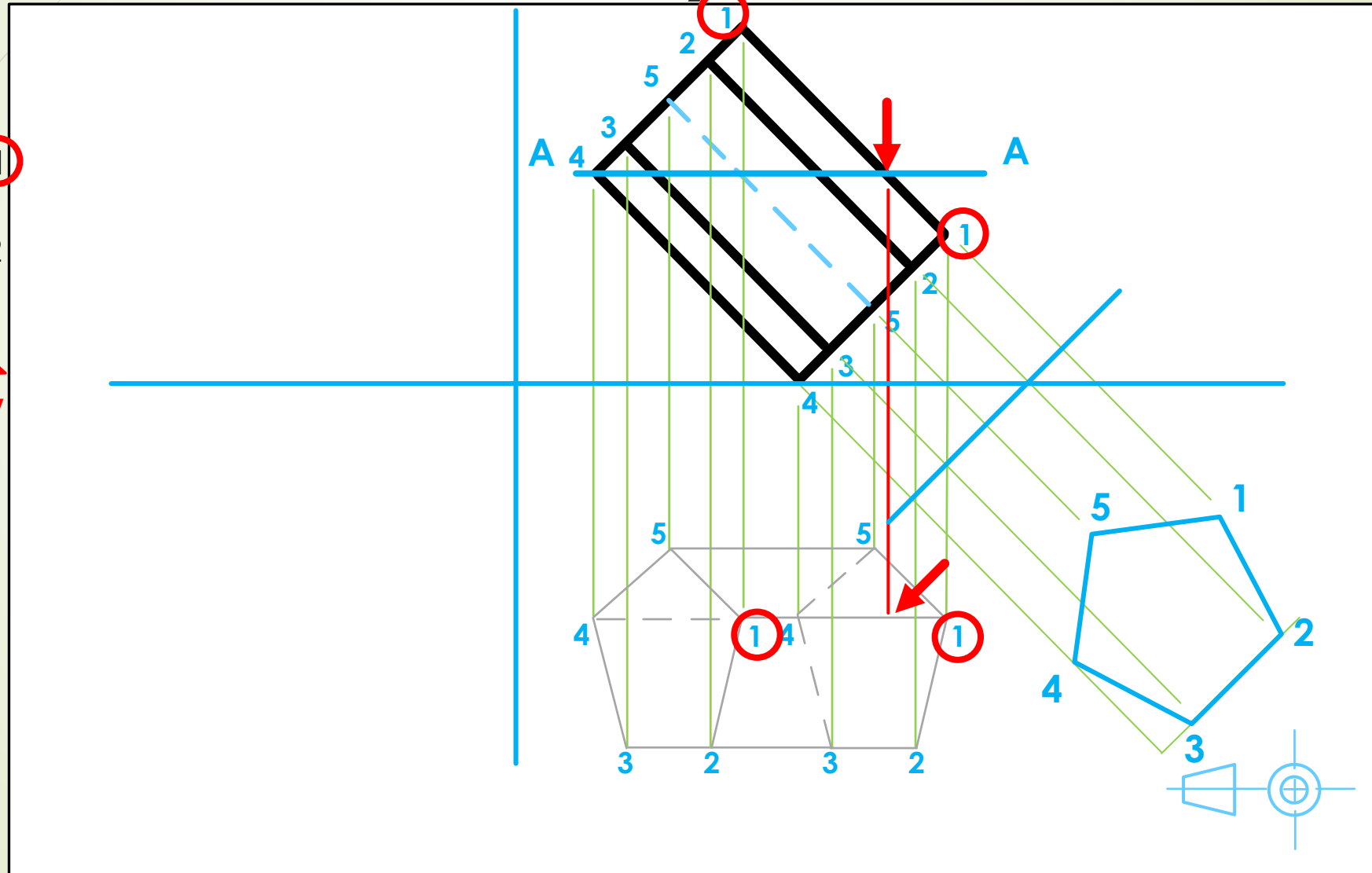
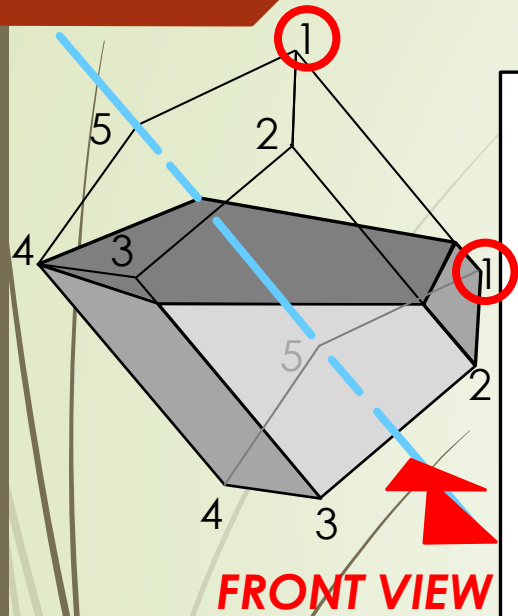
Application on pyramids, prisms, cones and cylinders



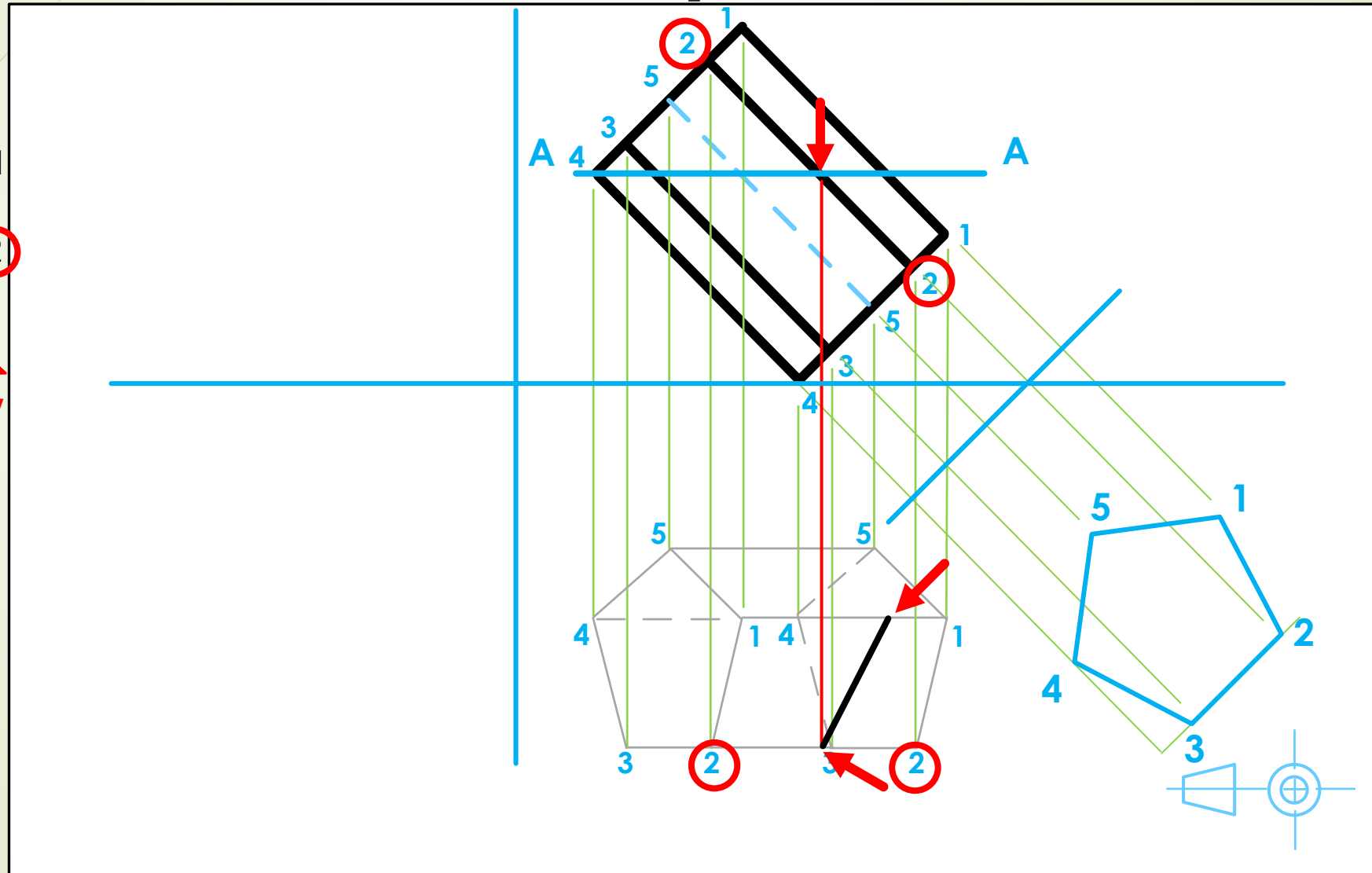
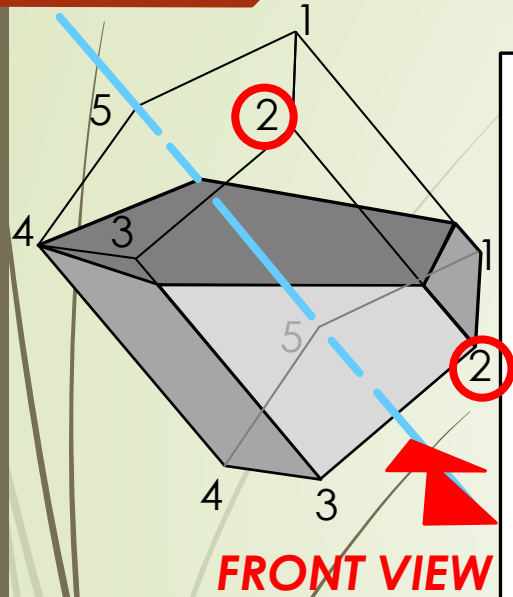
FRONT VIEW



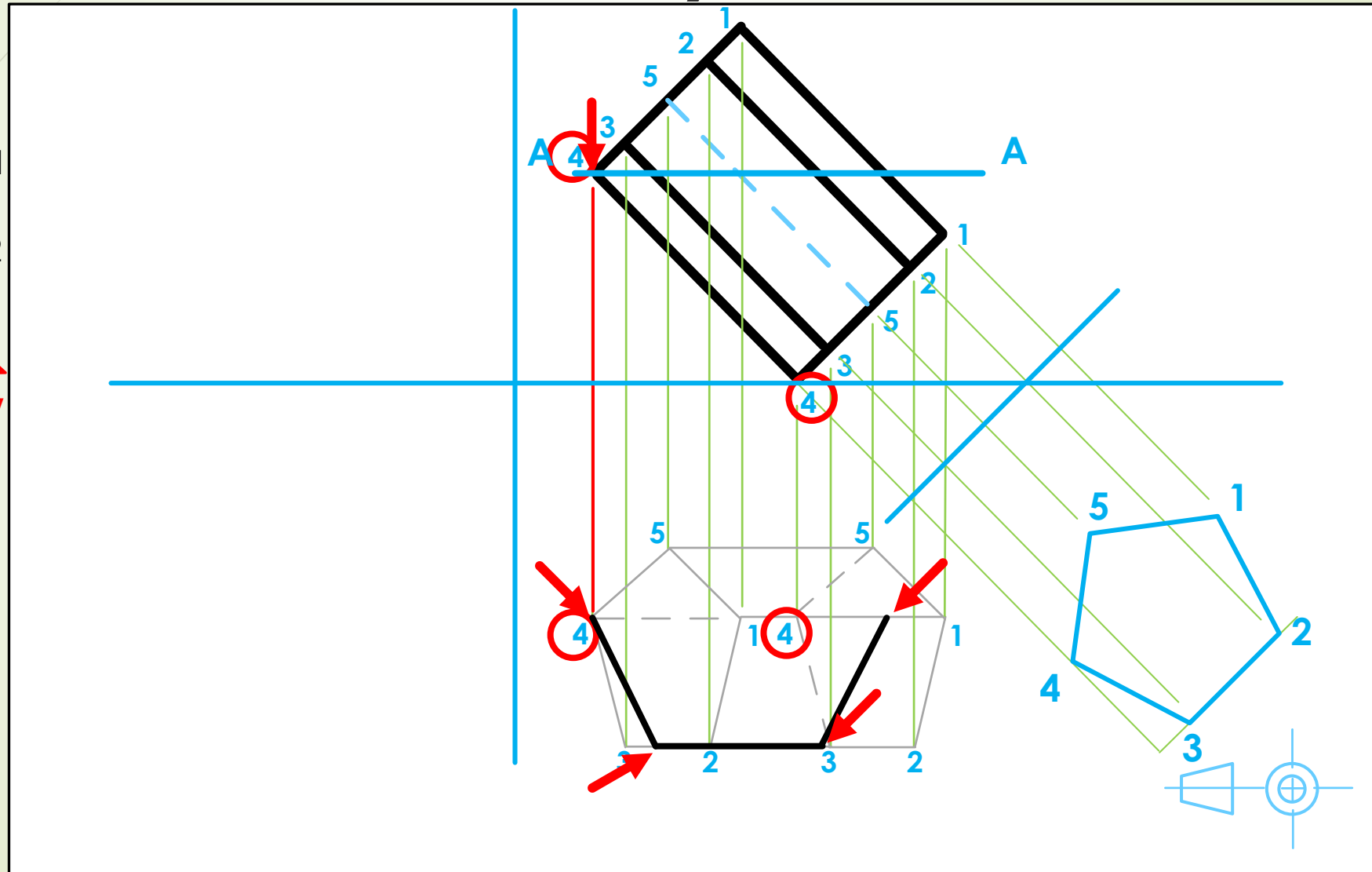
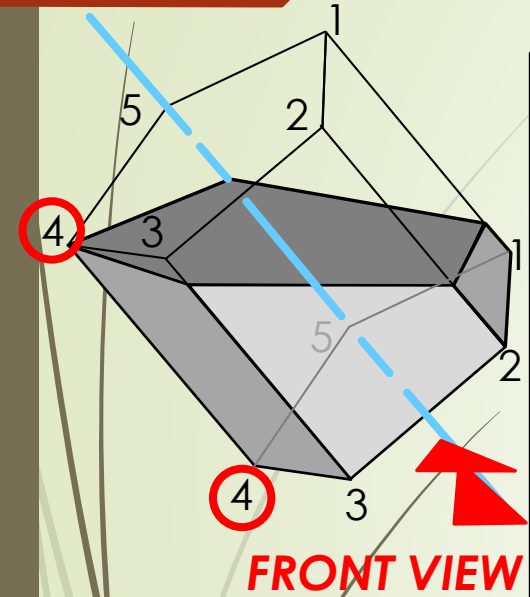
Application on pyramids, prisms, cones and cylinders



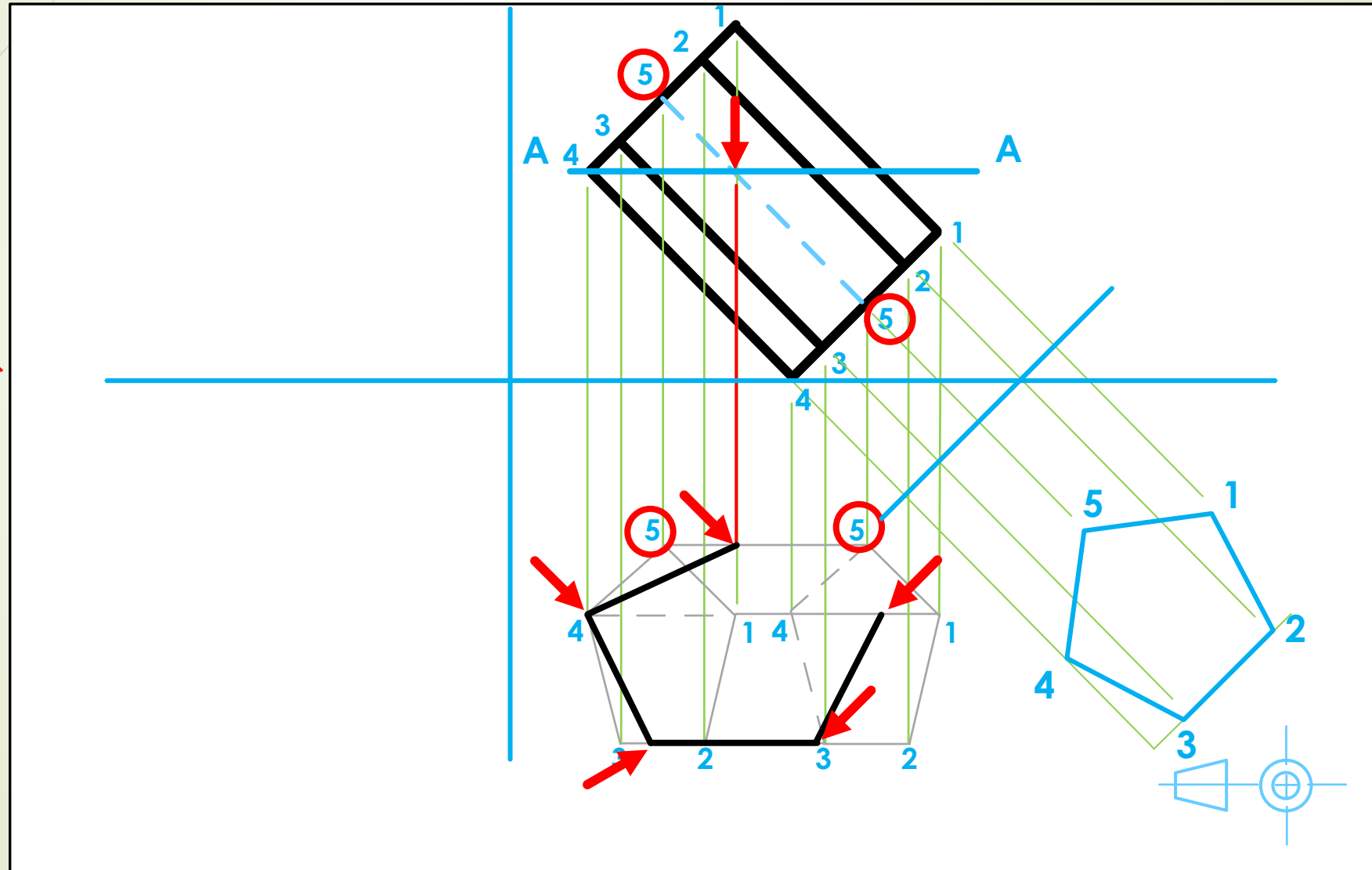
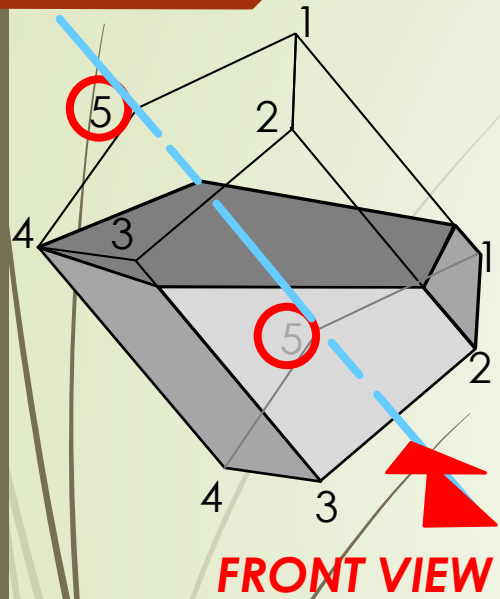
Application on pyramids, prisms, cones and cylinders



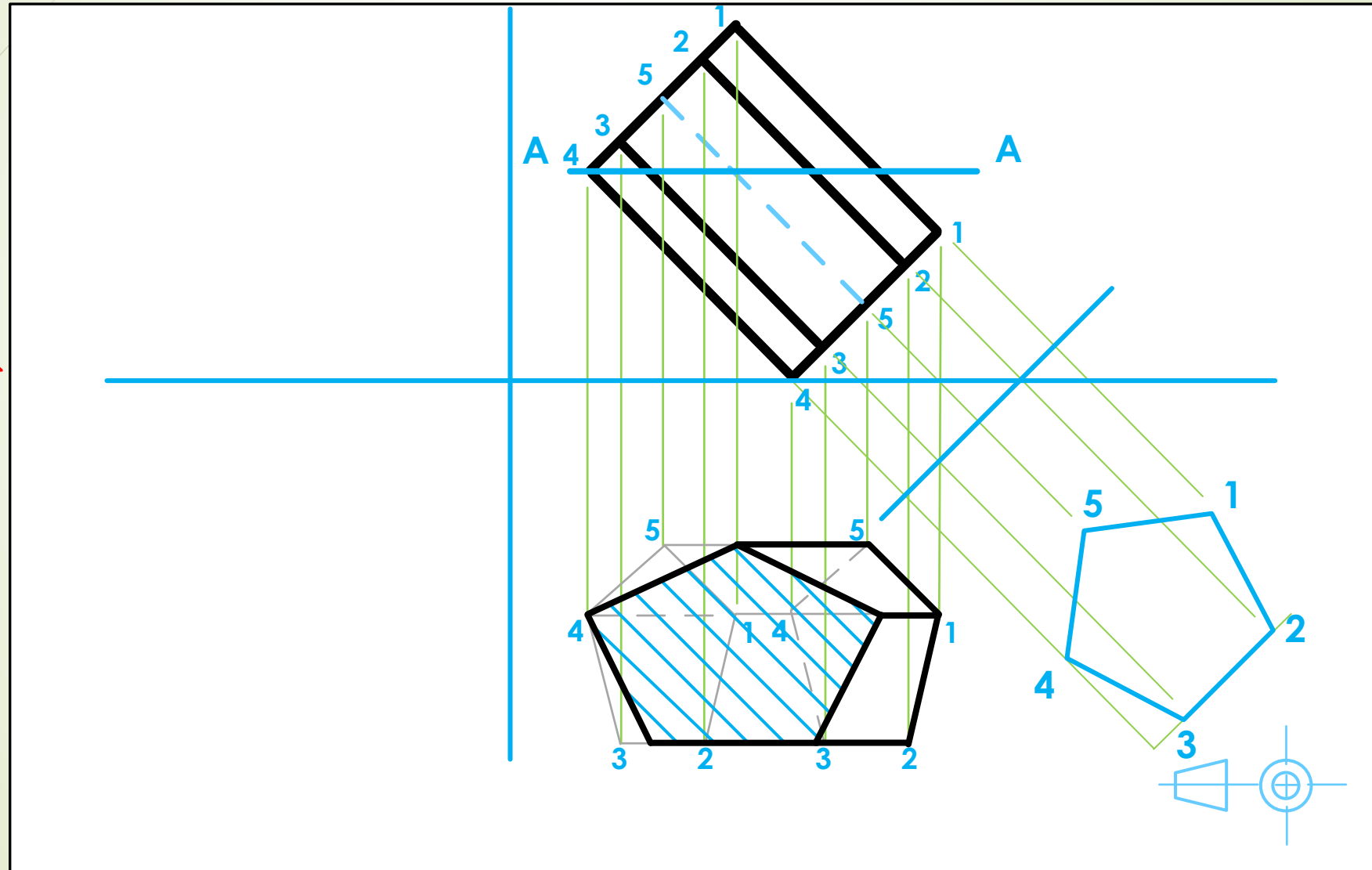
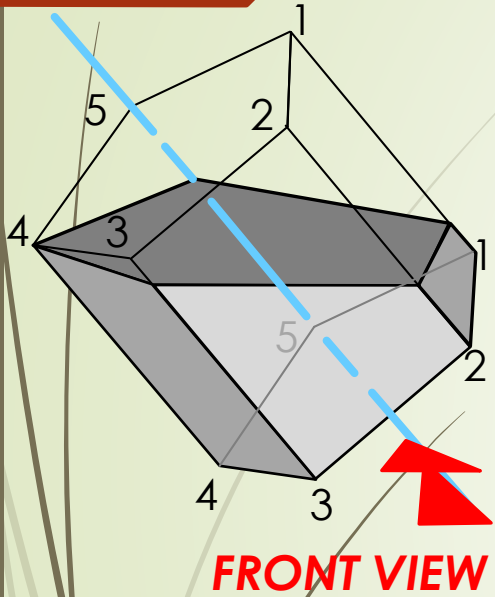
Application on pyramids, prisms, cones and cylinders



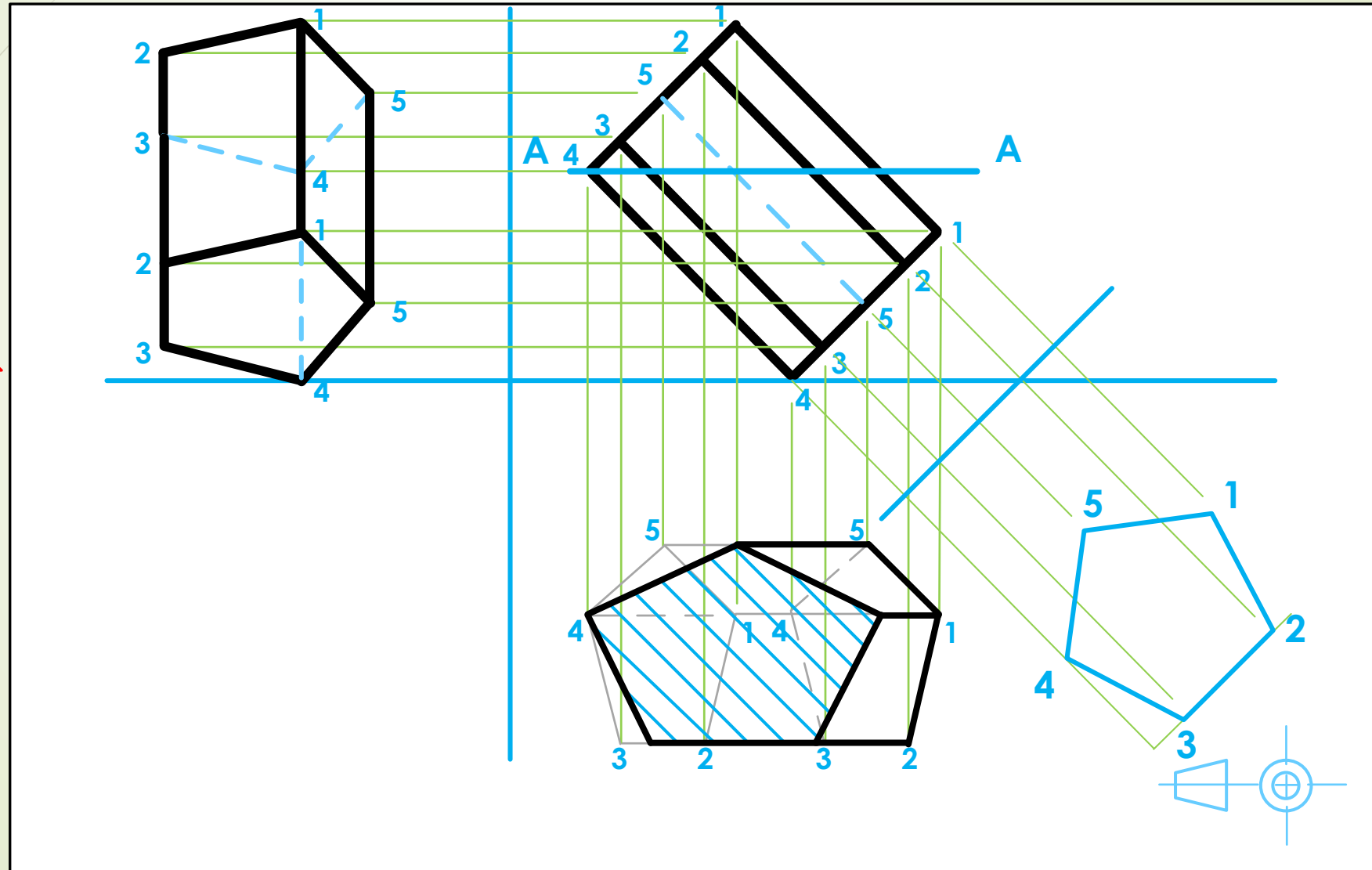
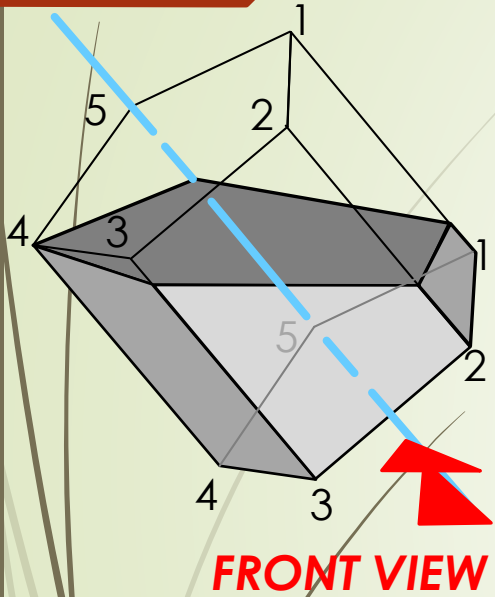
Application on pyramids, prisms, cones and cylinders



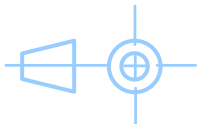
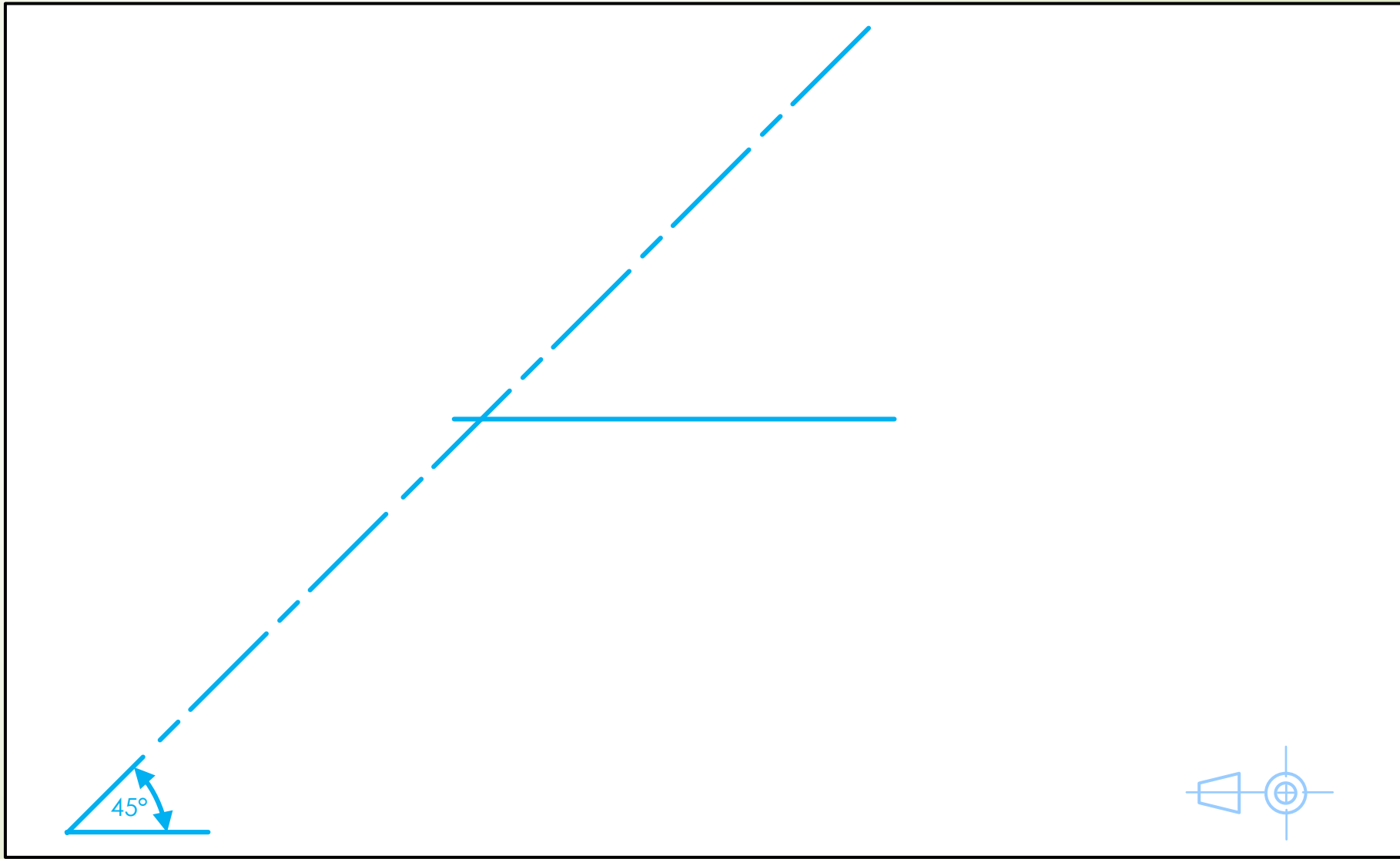
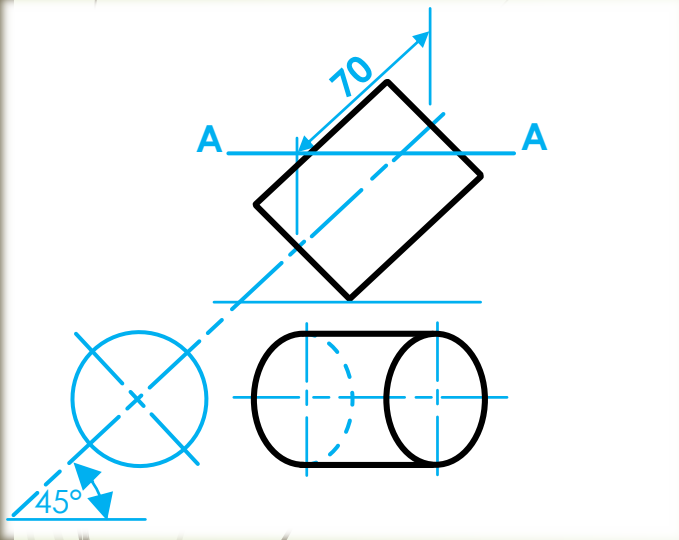
Application on pyramids, prisms, cones and cylinders



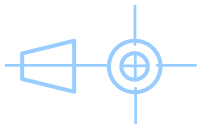
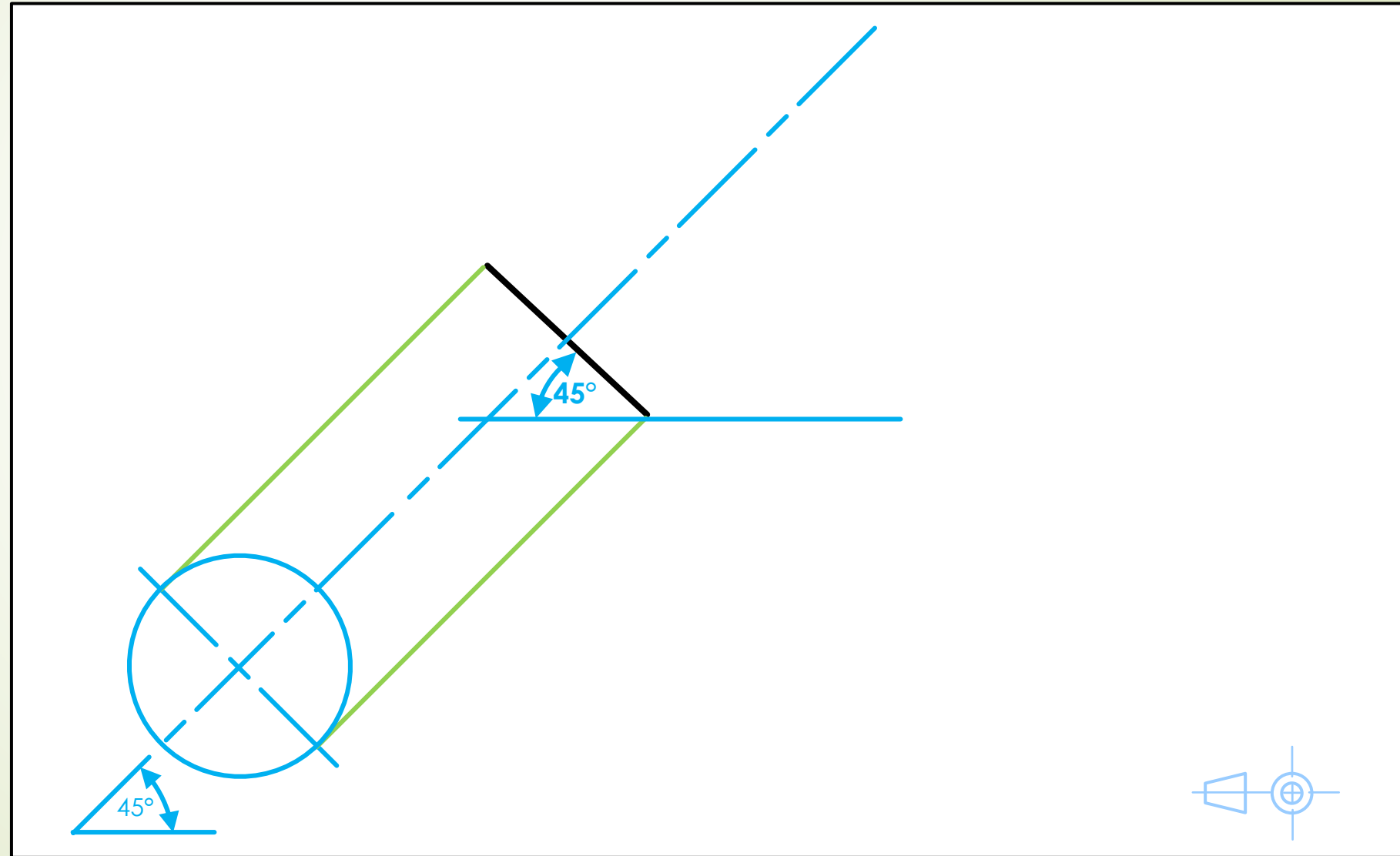
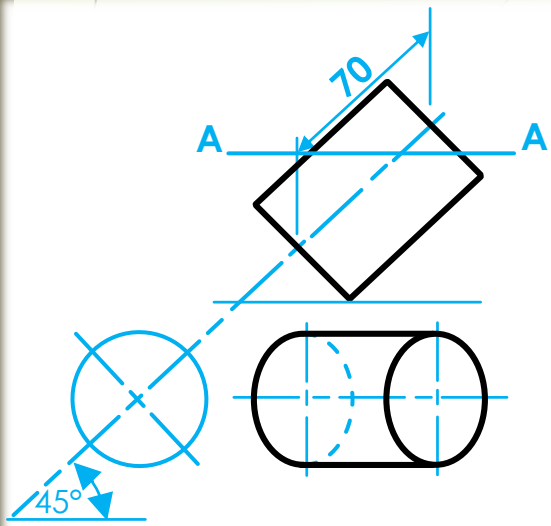
Application on pyramids, prisms, cones and cylinders



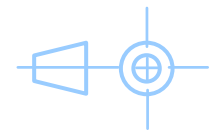
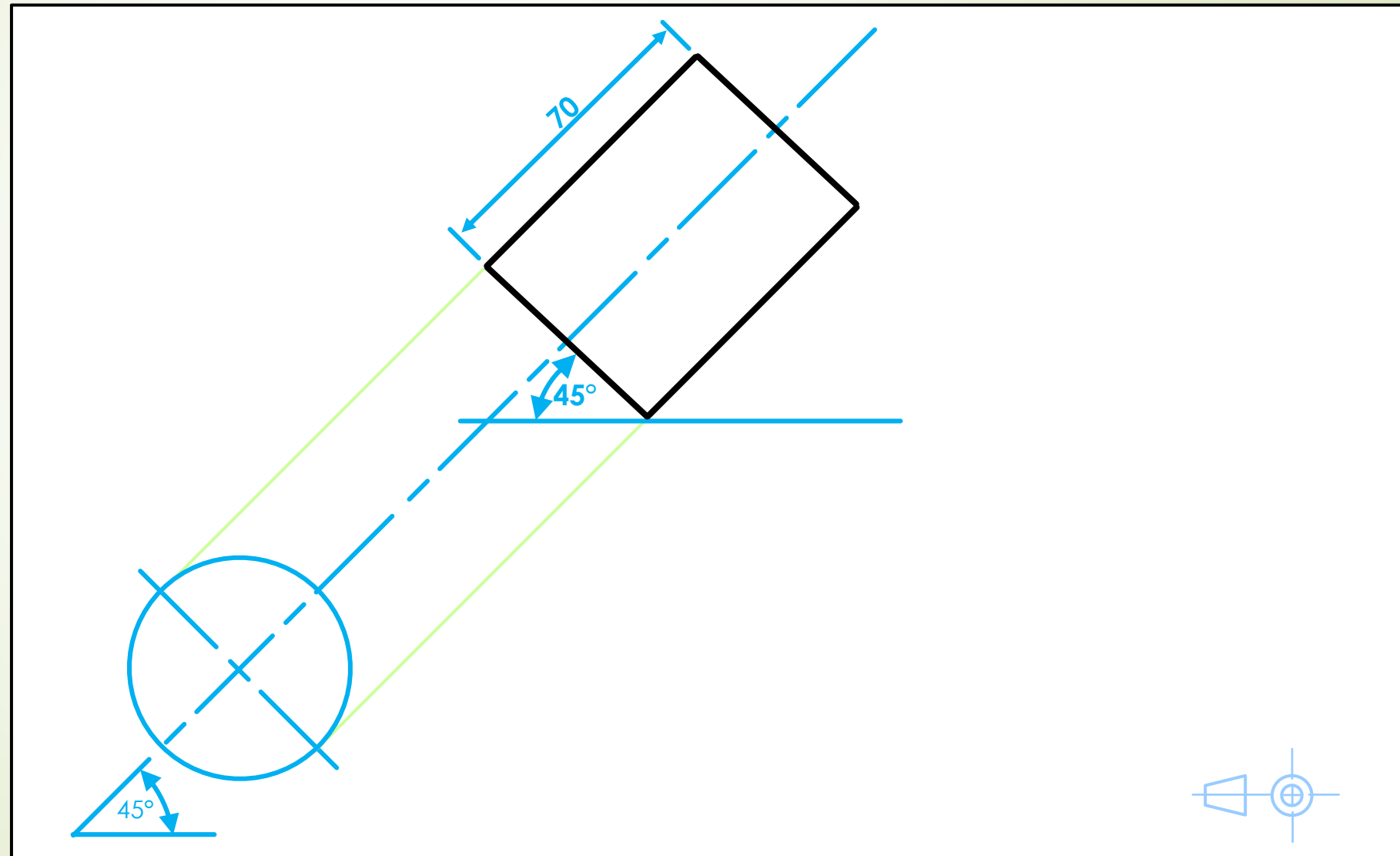
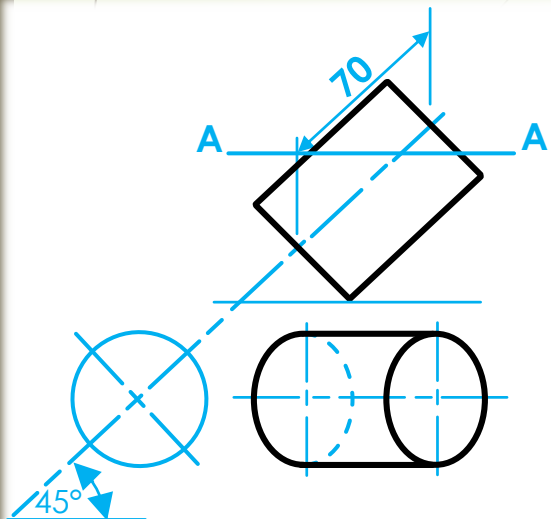
Application on pyramids, prisms, cones and cylinders



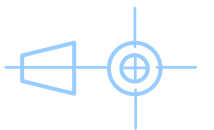
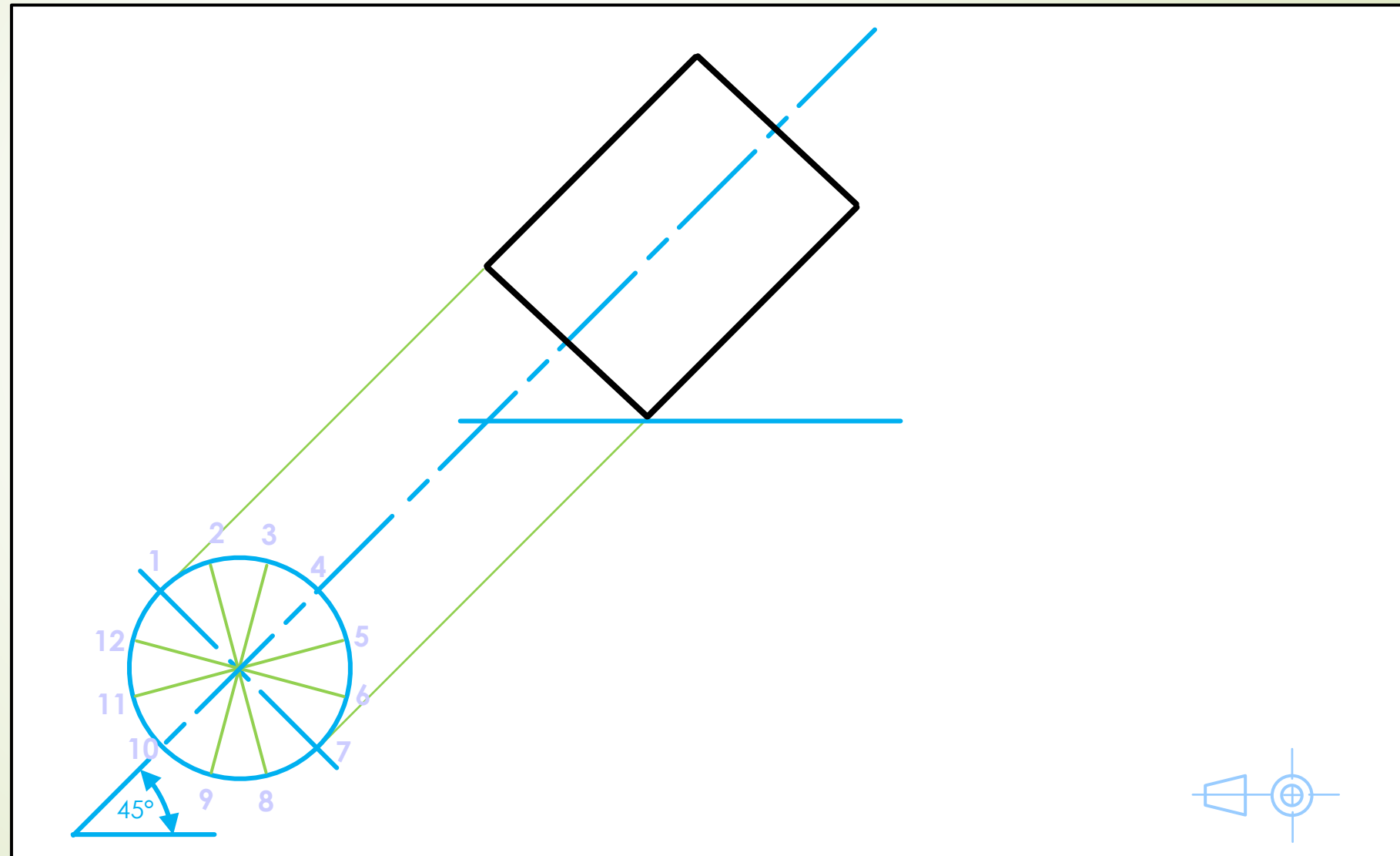
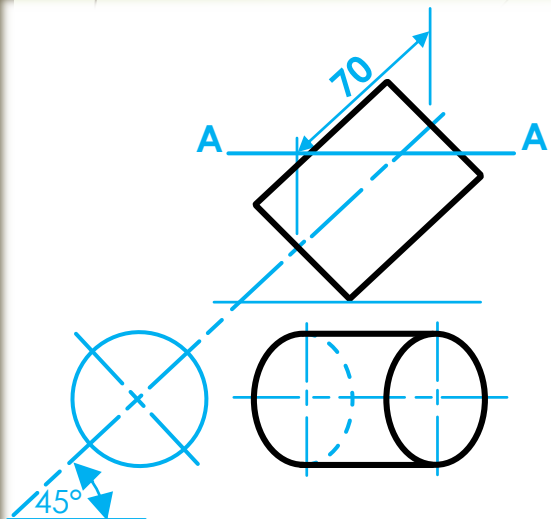
Application on pyramids, prisms, cones and cylinders



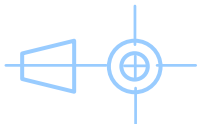
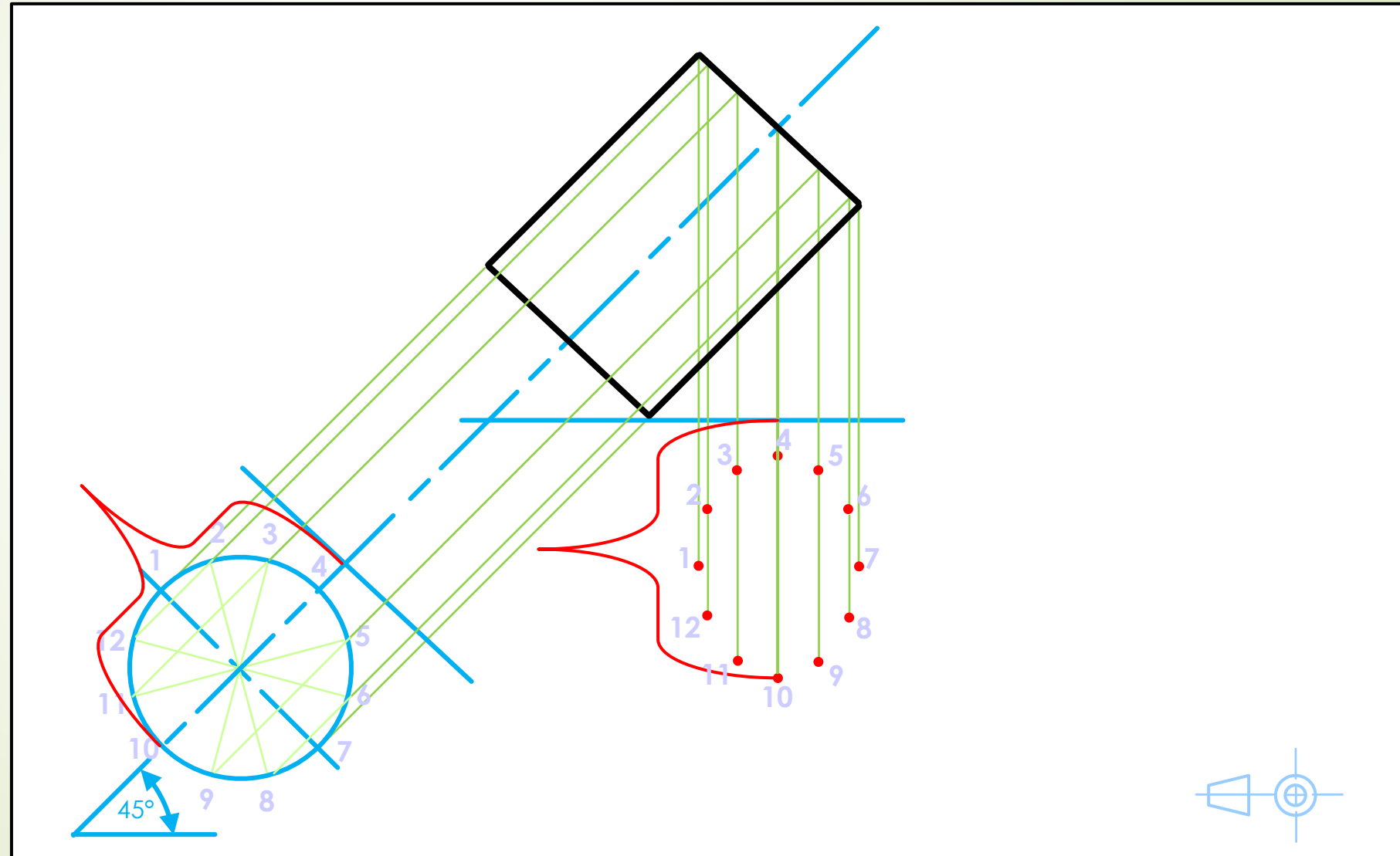
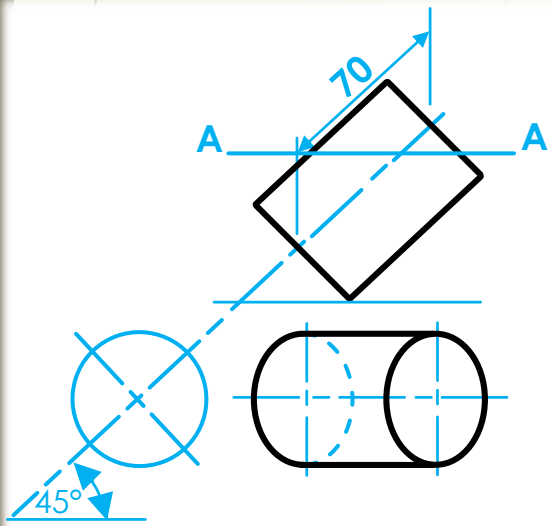
Application on pyramids, prisms, cones and cylinders



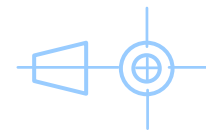
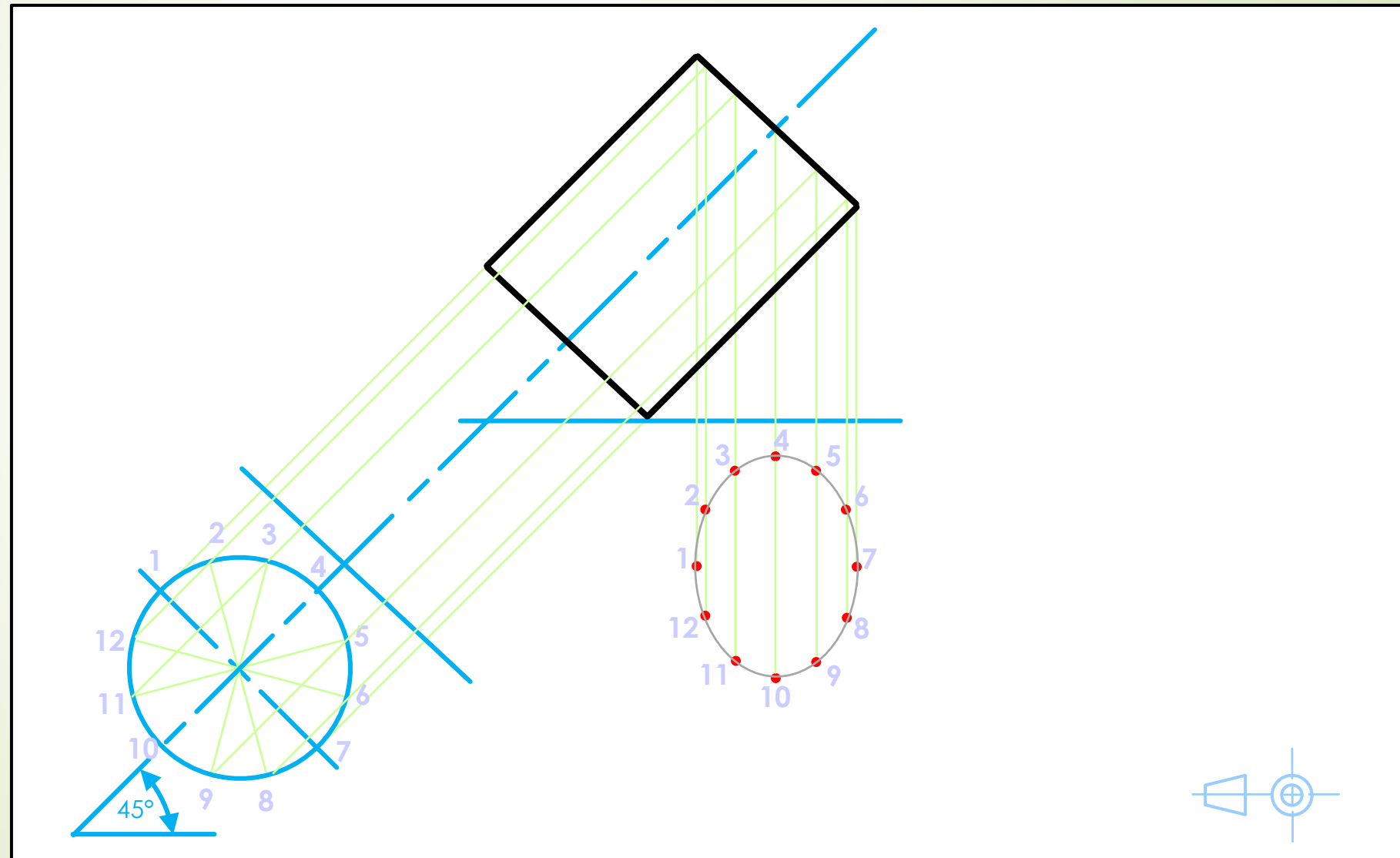
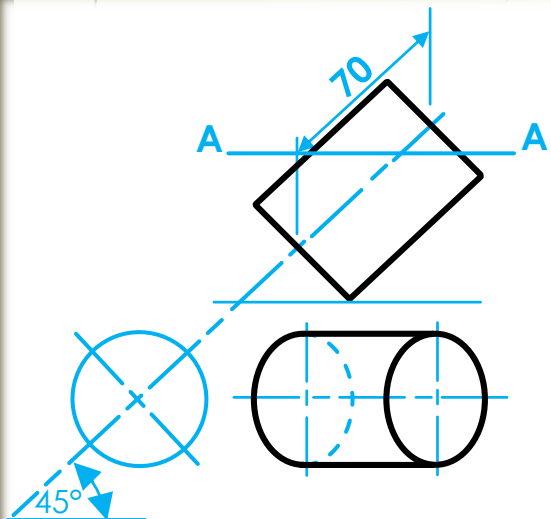
Application on pyramids, prisms, cones and cylinders



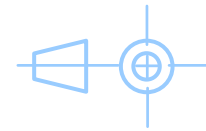
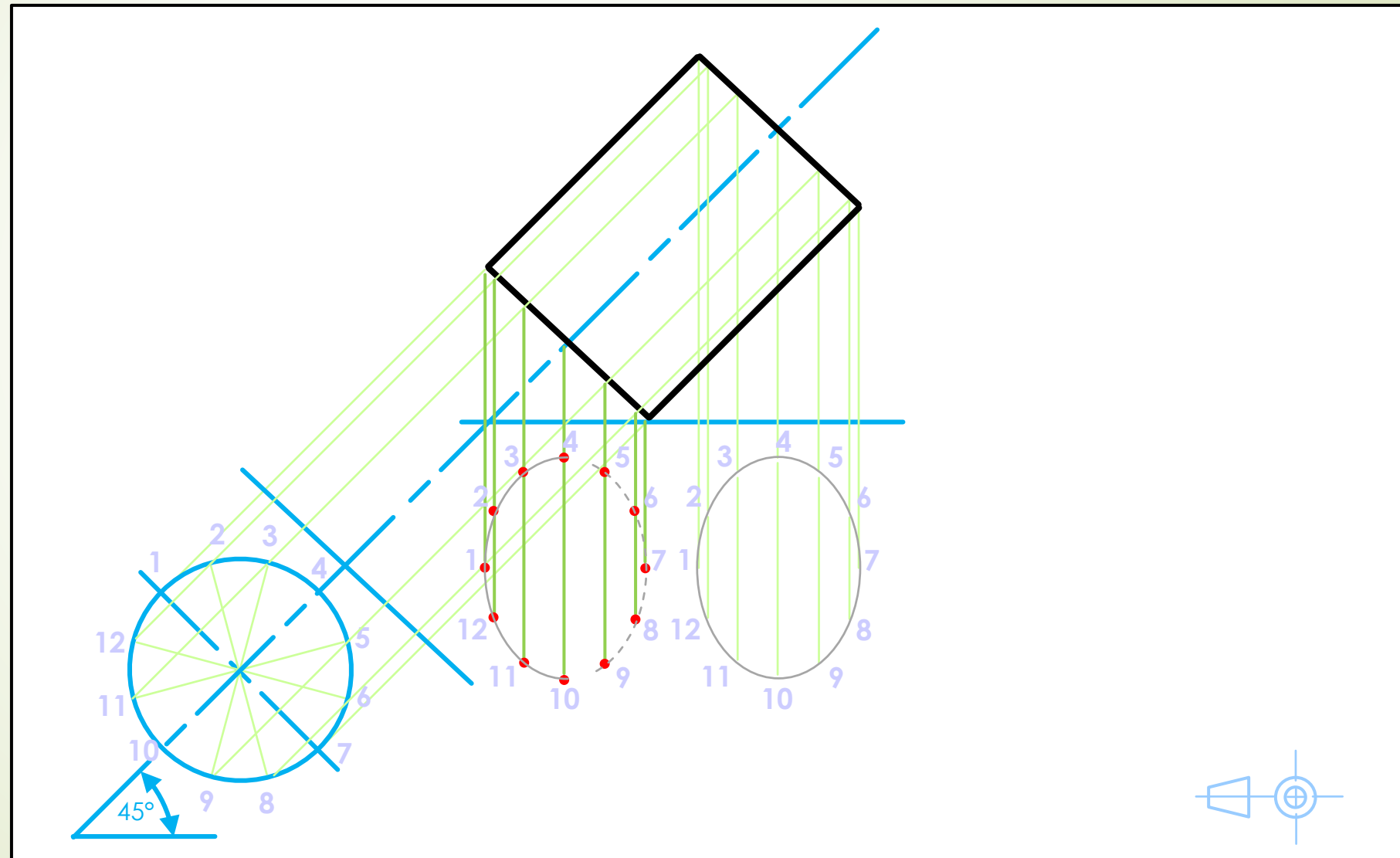
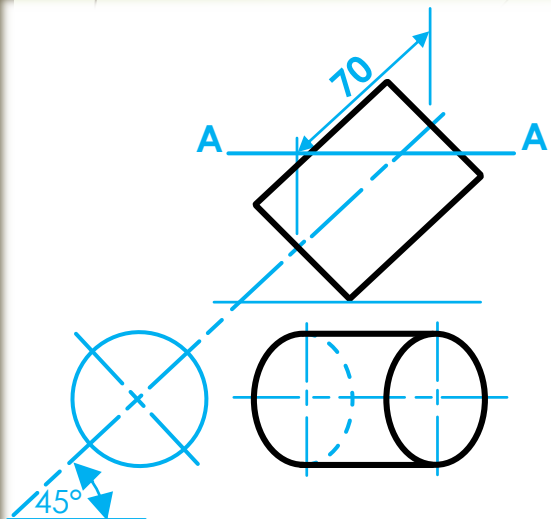
Application on pyramids, prisms, cones and cylinders



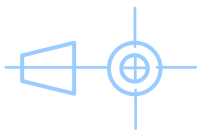
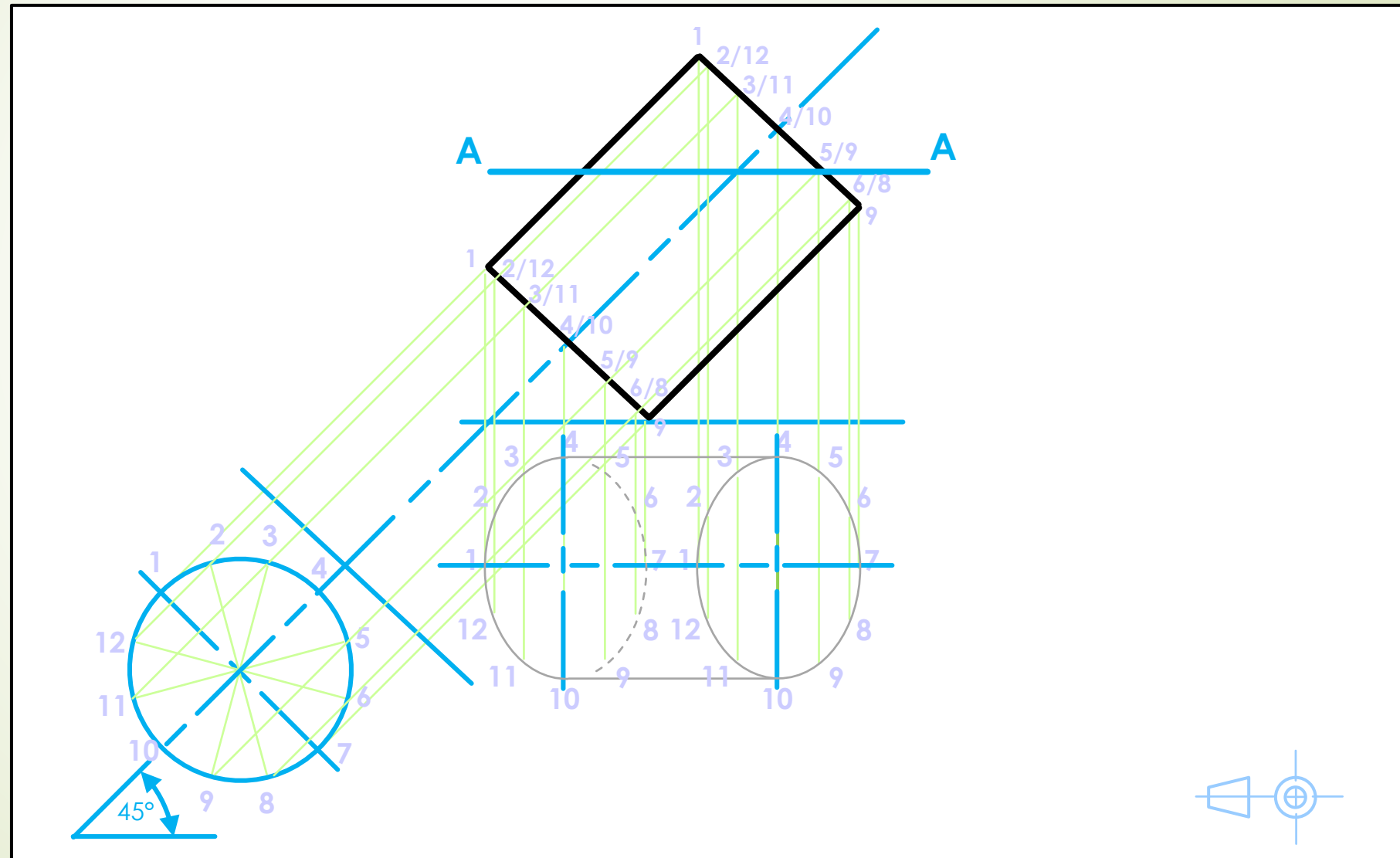
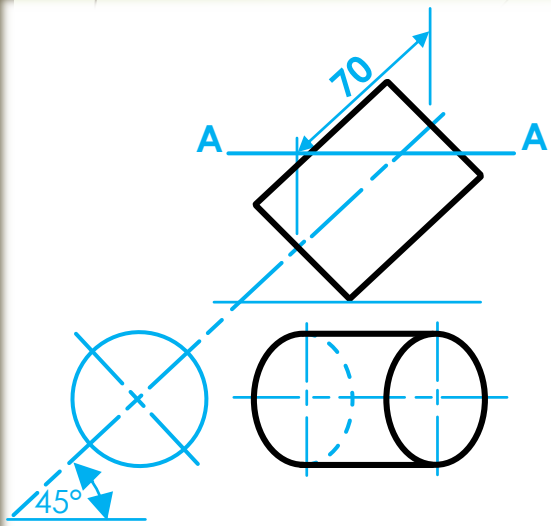
Application on pyramids, prisms, cones and cylinders



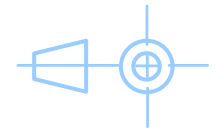
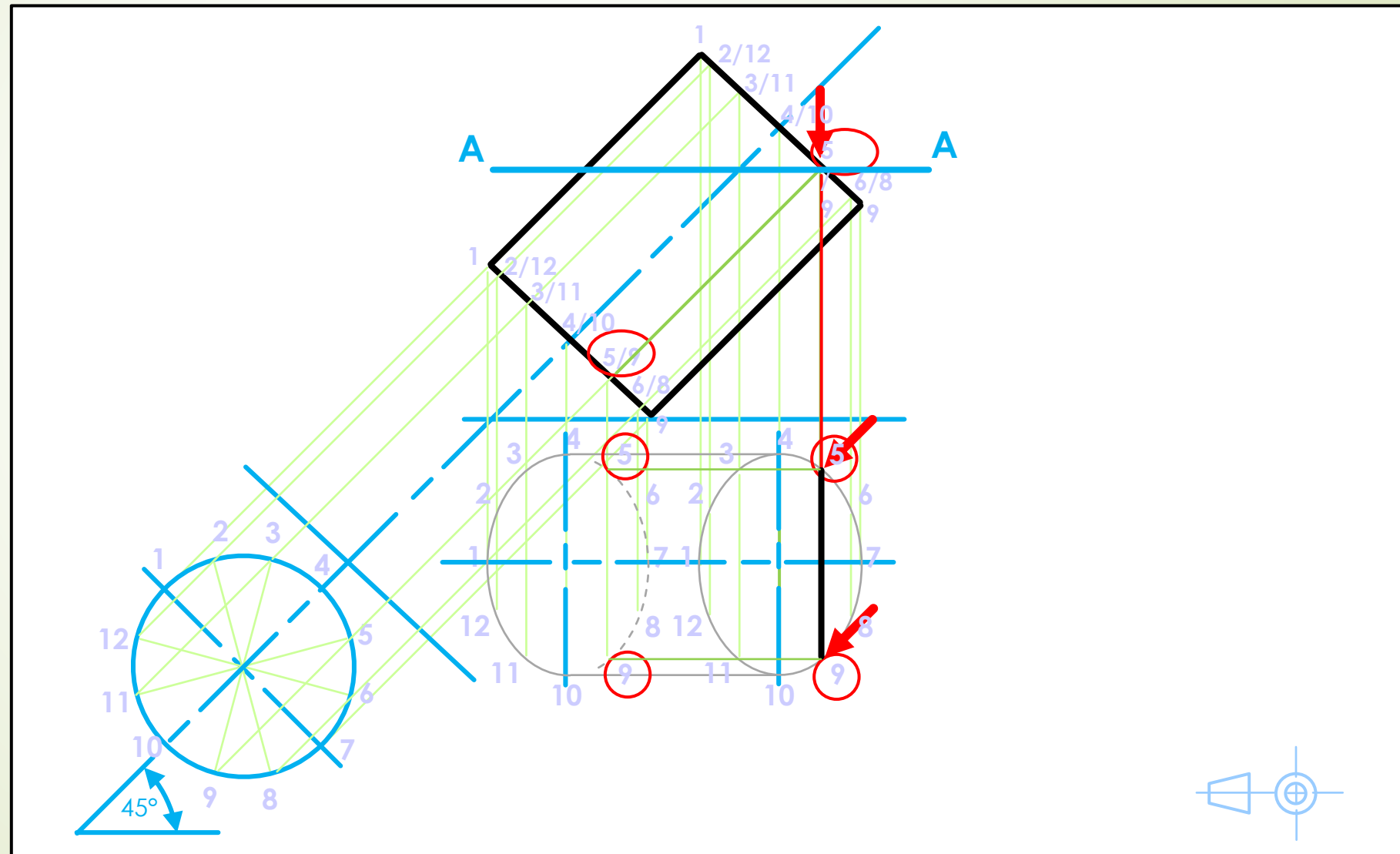
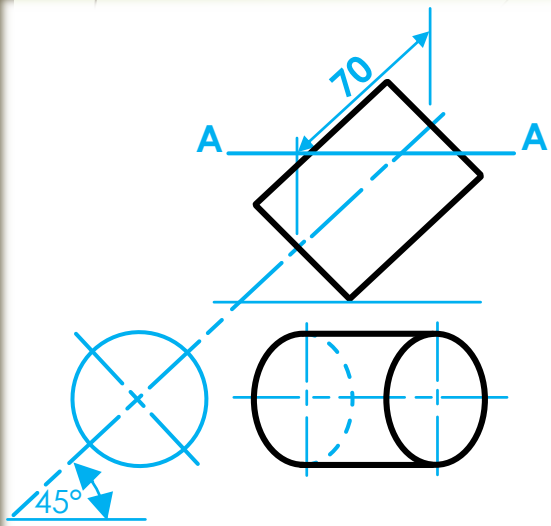
Application on pyramids, prisms, cones and cylinders



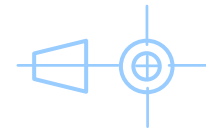
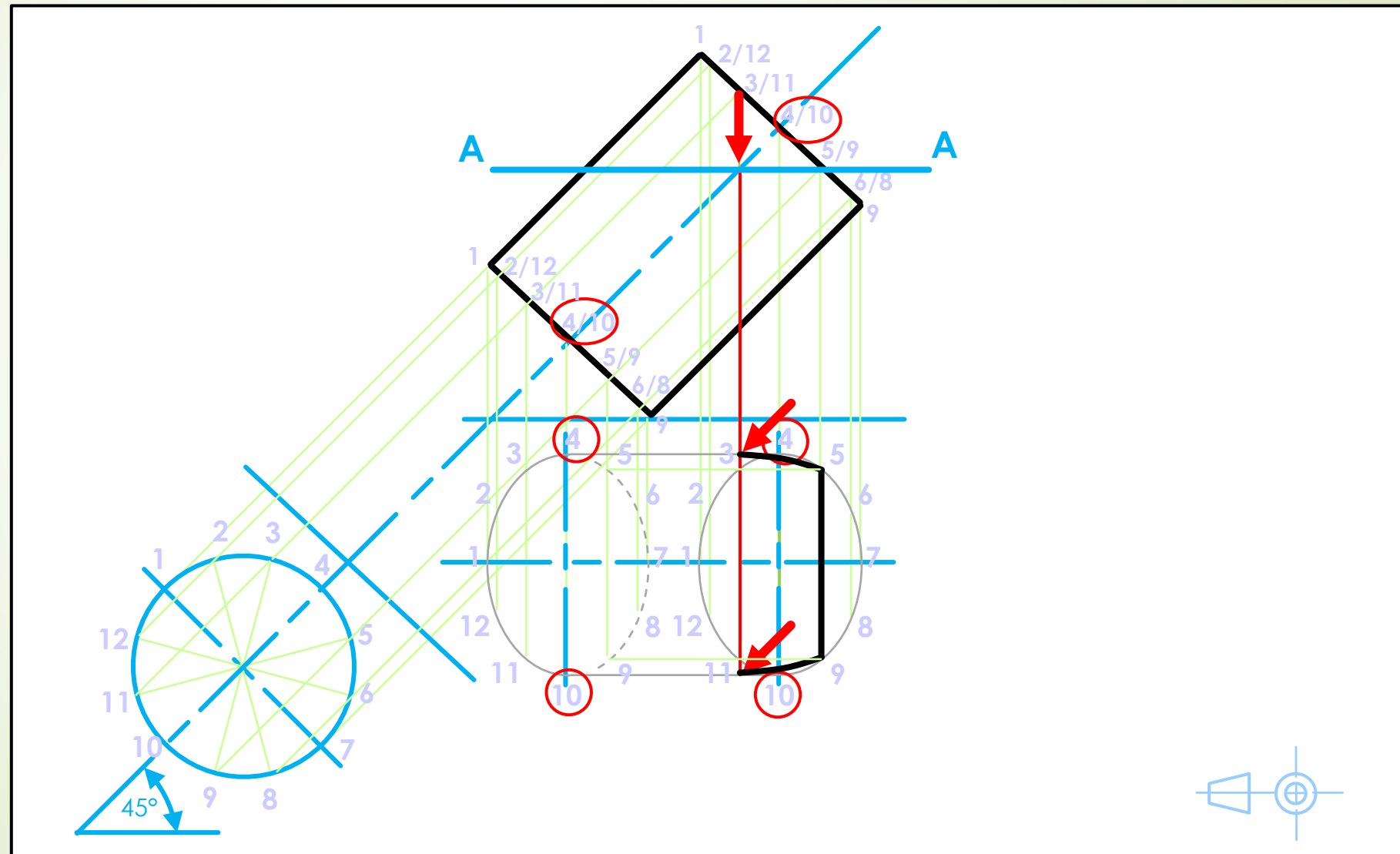
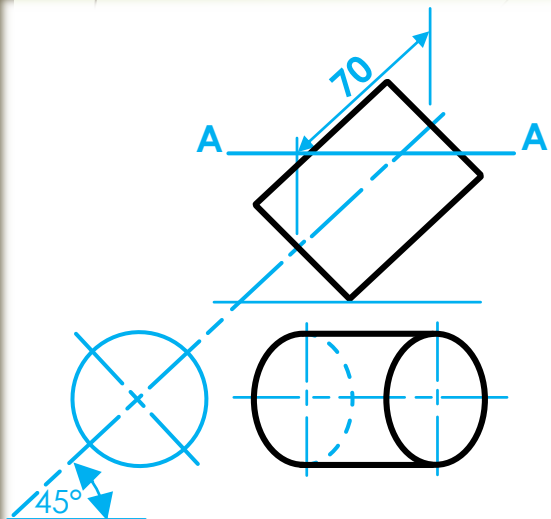
Application on pyramids, prisms, cones and cylinders



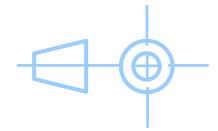
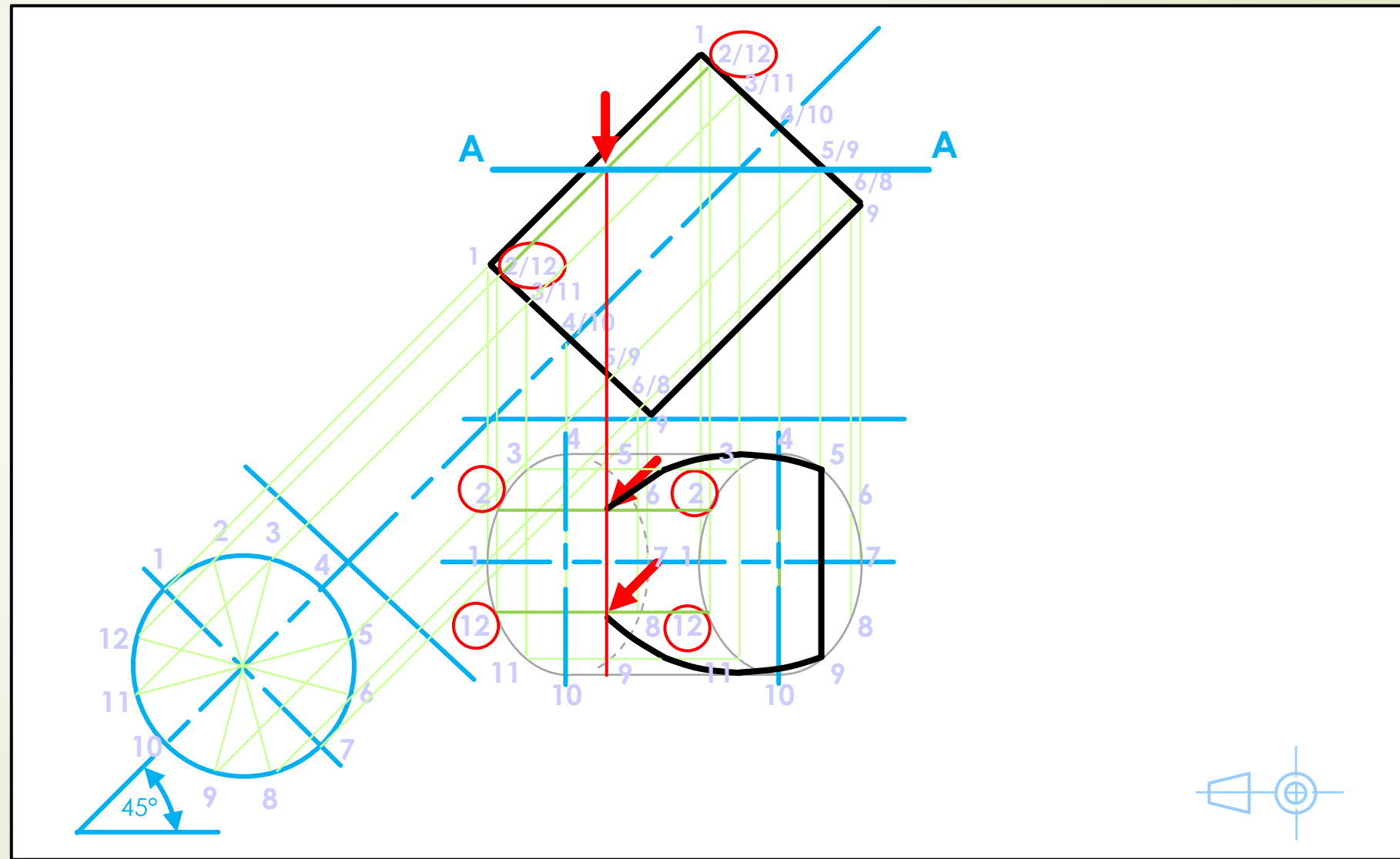
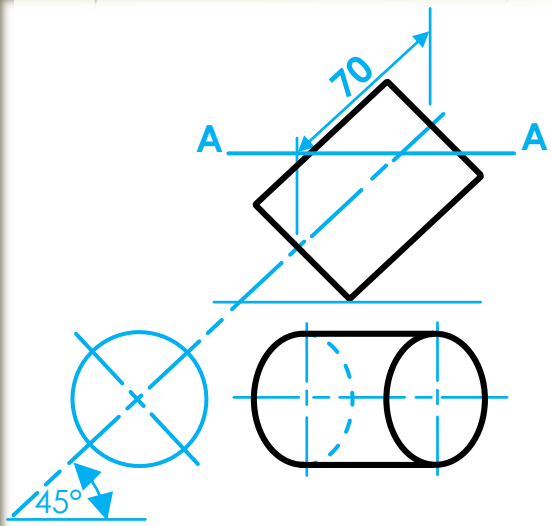
Application on pyramids, prisms, cones and cylinders



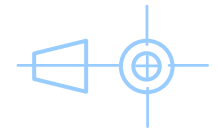
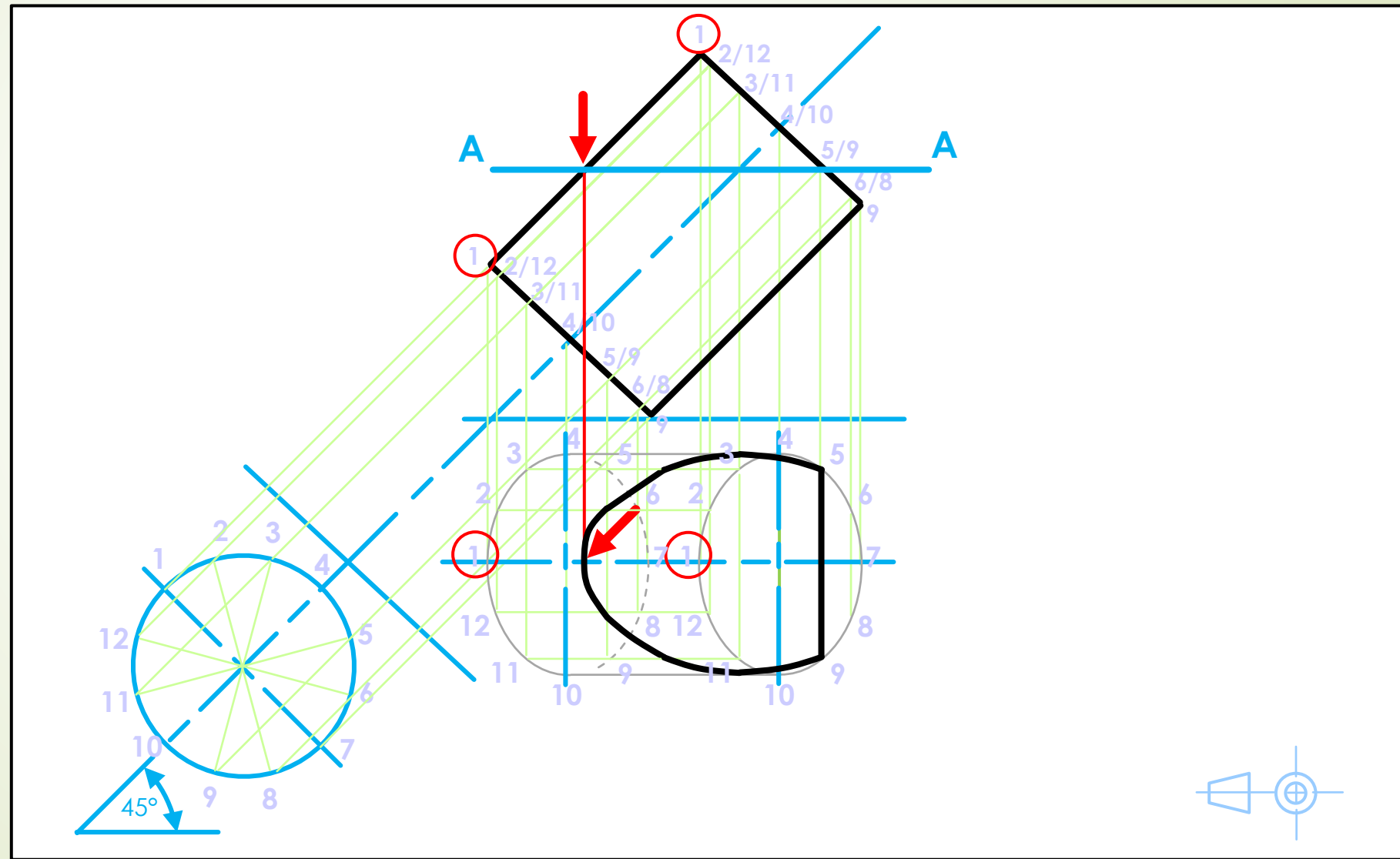
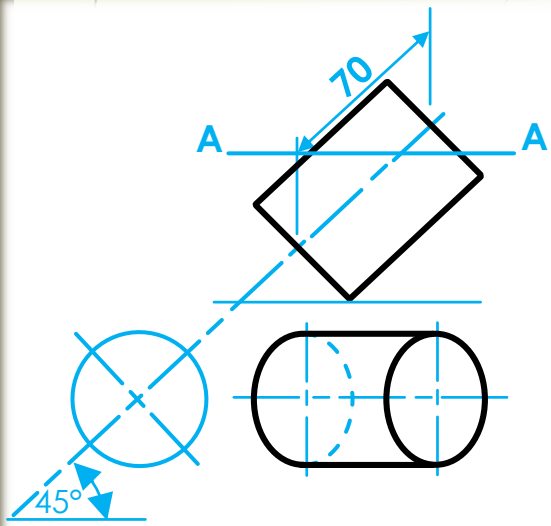
Application on pyramids, prisms, cones and cylinders



Application on pyramids, prisms, cones and cylinders



Application on pyramids, prisms, cones and cylinders



Application on pyramids, prisms, cones and cylinders

