



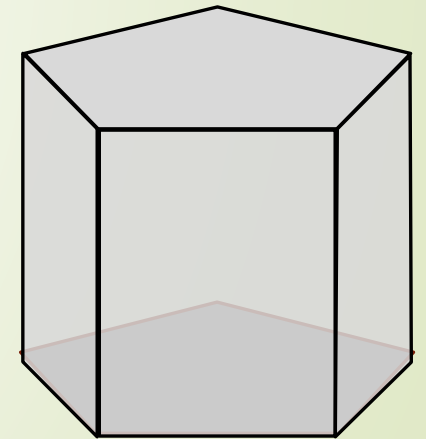
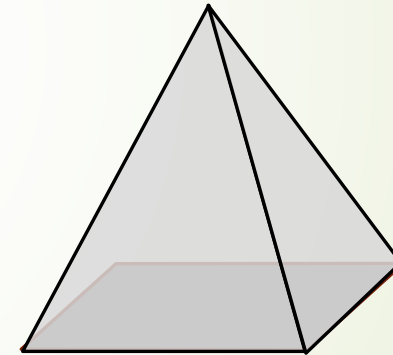
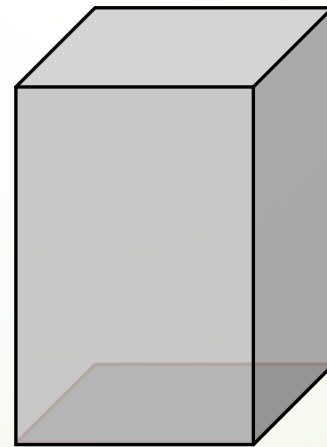
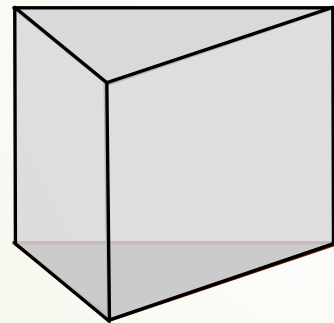
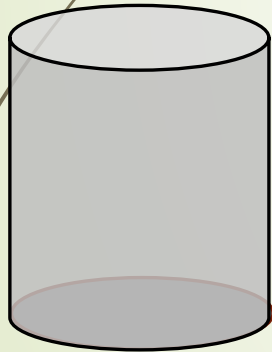
Inclined Sectioning Cylinders and Cones

Grade 11, 12

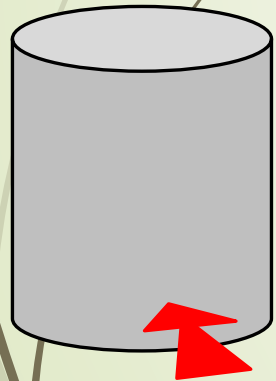
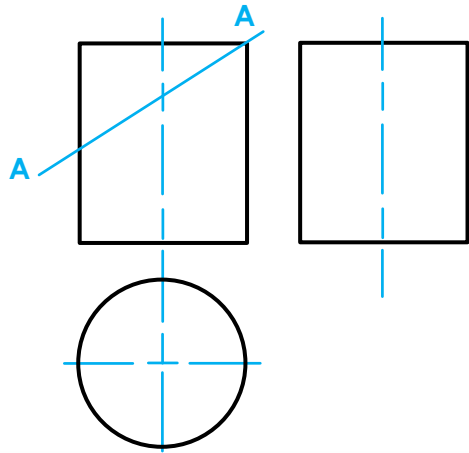
Developed by: PC Viljoen
Senior Educational Specialist for
Engineering Graphics and Design
Free State Province

Application on polygons

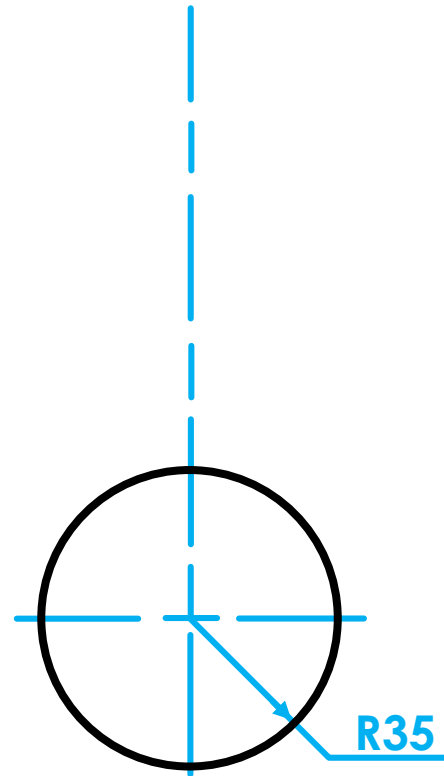
- Projecting right regular pyramids, prisms, cones and cylinders from polygons.



Application on polygons



FRONT VIEW



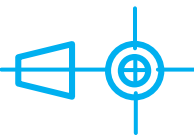
Given:

A cylinder with a radius of $R35$.

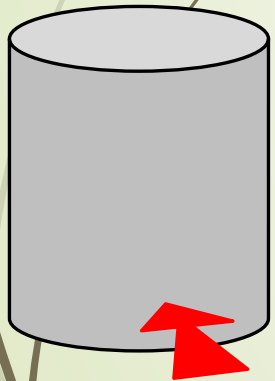
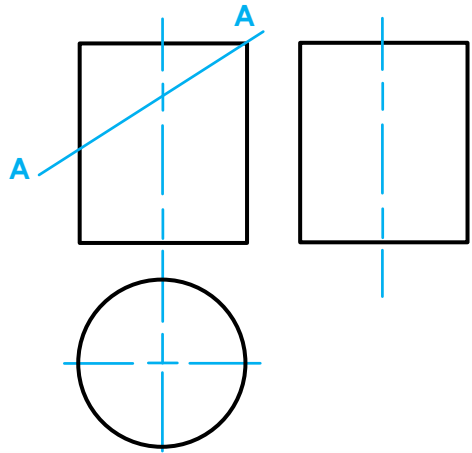
Question:

In F.A.O.P. draw...

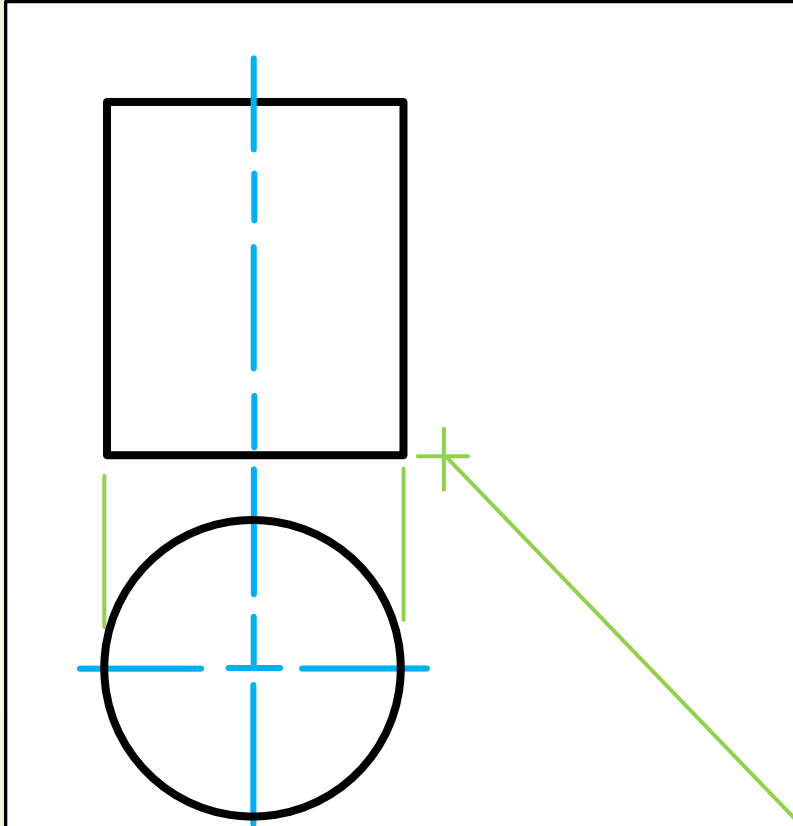
1. A front view
2. A sectioned left view
3. A **top view**



Application on polygons



FRONT VIEW



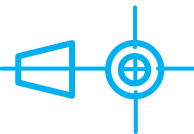
Given:

A cylinder with a radius of R 35.

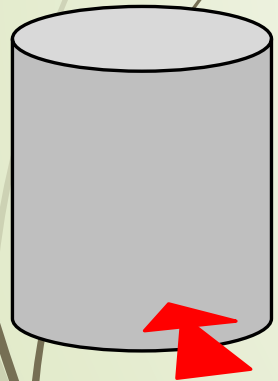
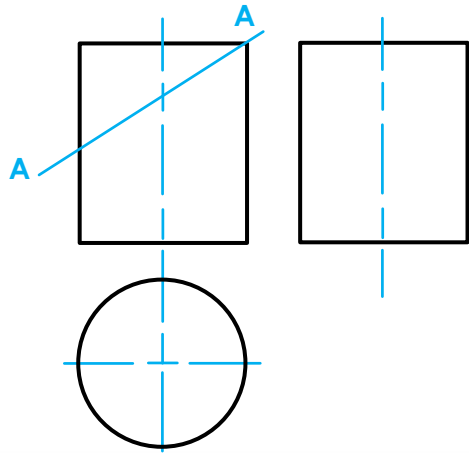
Question:

In F.A.O.P. draw...

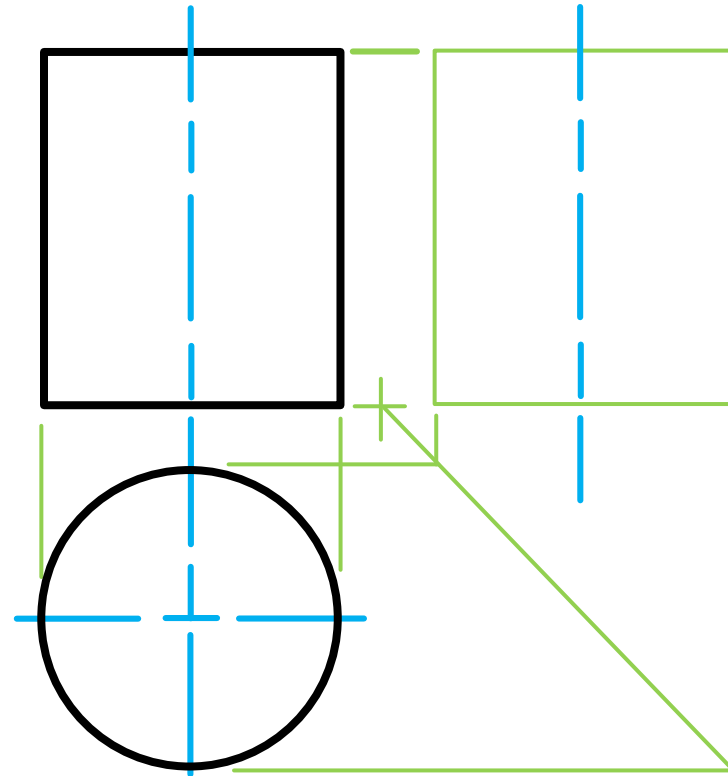
1. **A front view**
2. A sectioned left view
3. A top view



Application on polygons



FRONT VIEW



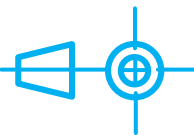
Given:

A cylinder with a radius of R 35.

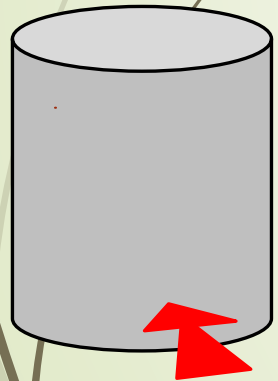
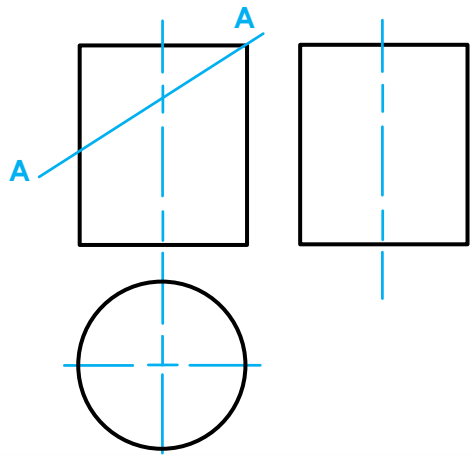
Question:

In F.A.O.P. draw...

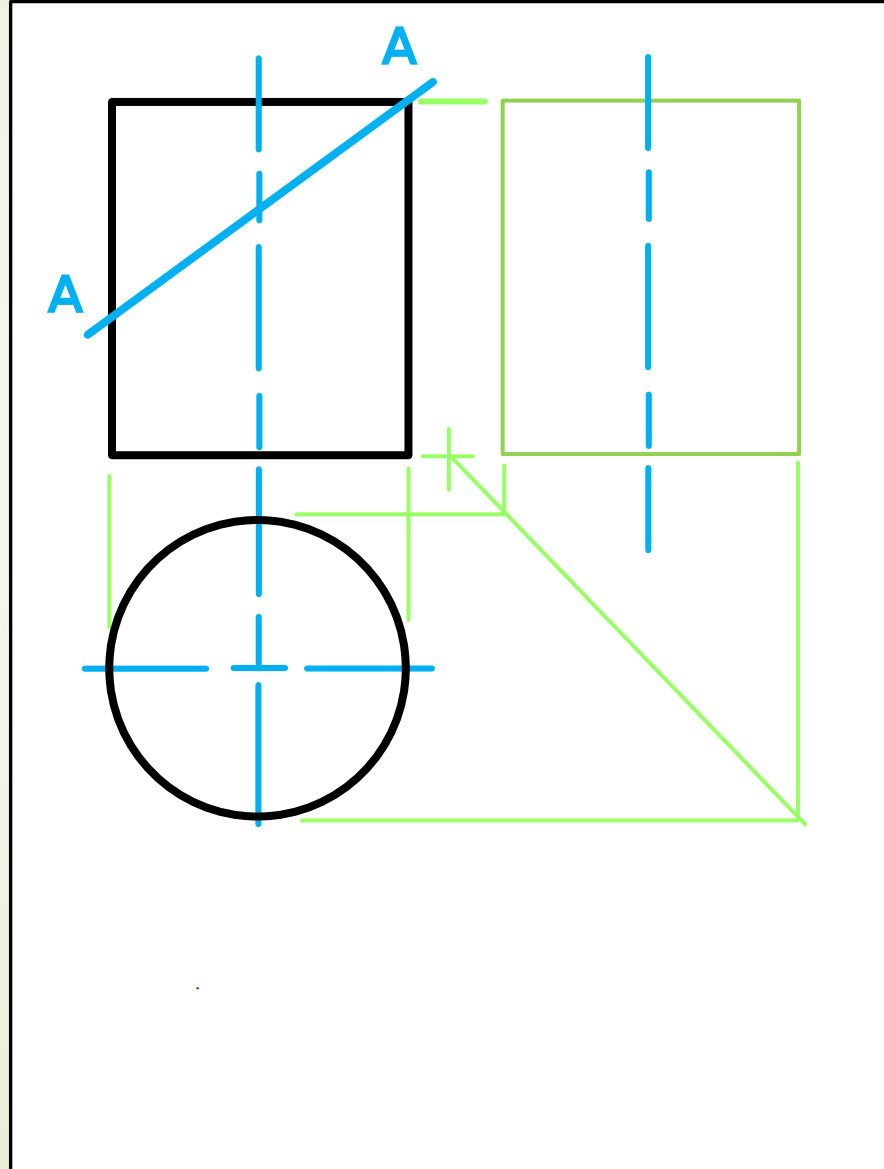
1. A front view
2. **A sectioned left view**
3. A top view



Application on polygons



FRONT VIEW



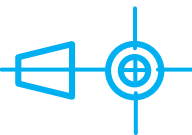
Given:

A cylinder with a radius of R 35.

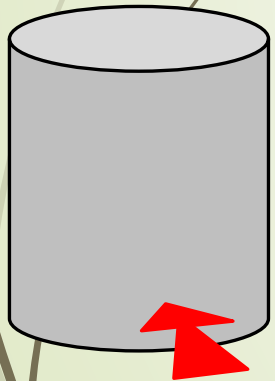
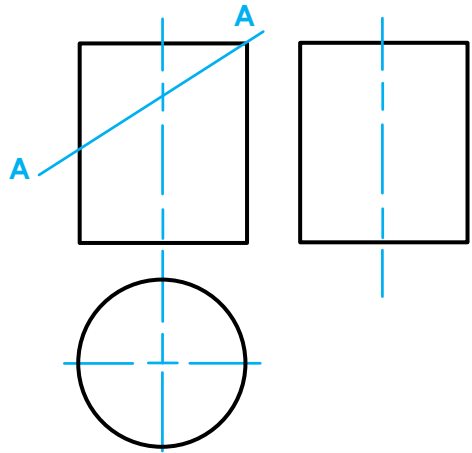
Question:

In F.A.O.P. draw...

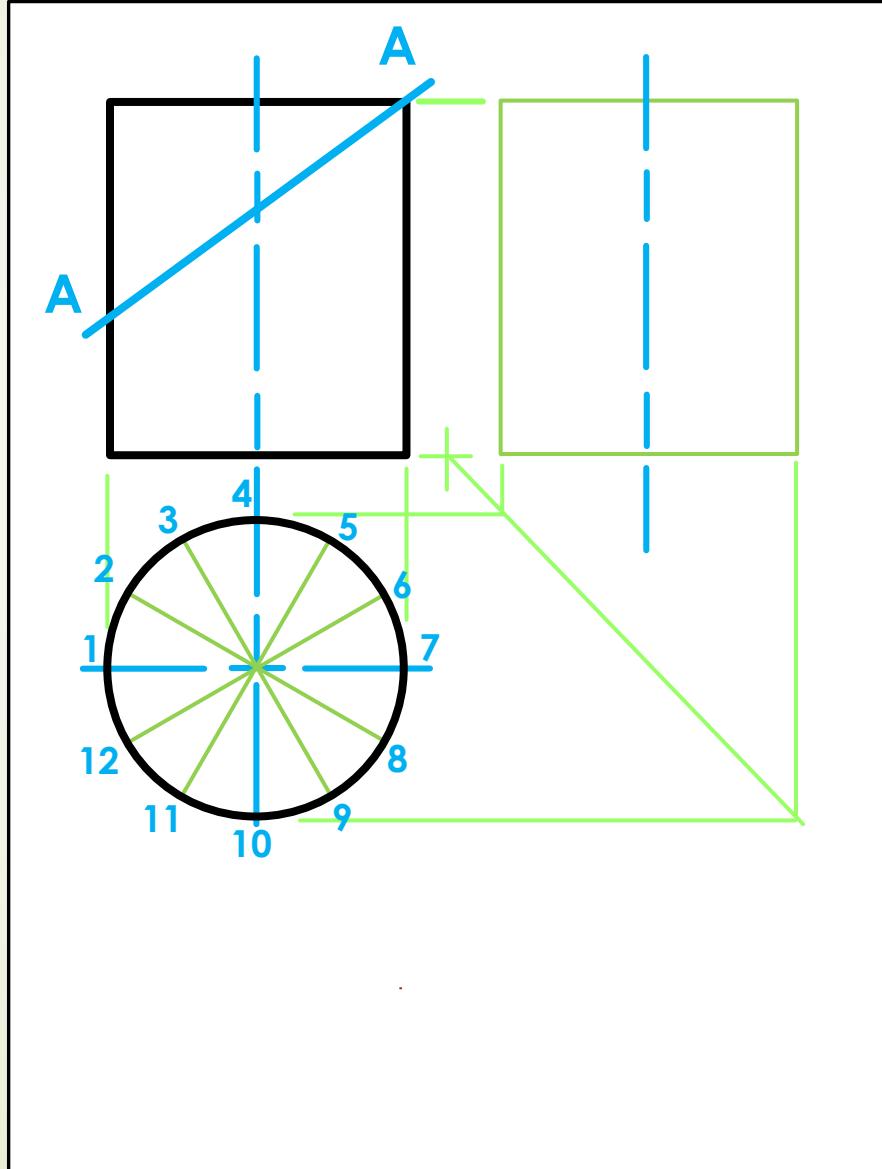
1. A front view
2. **A sectioned left view**
3. A top view



Application on polygons



FRONT VIEW



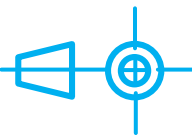
Given:

A cylinder with a radius of R 35.

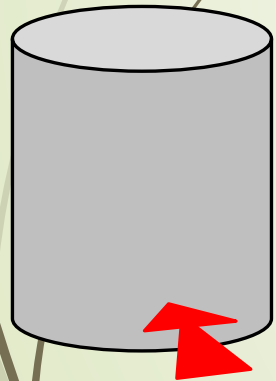
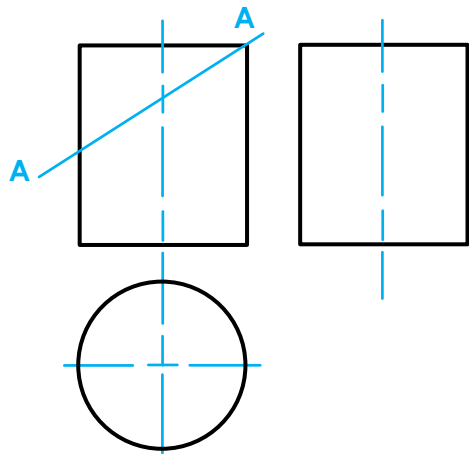
Question:

In F.A.O.P. draw...

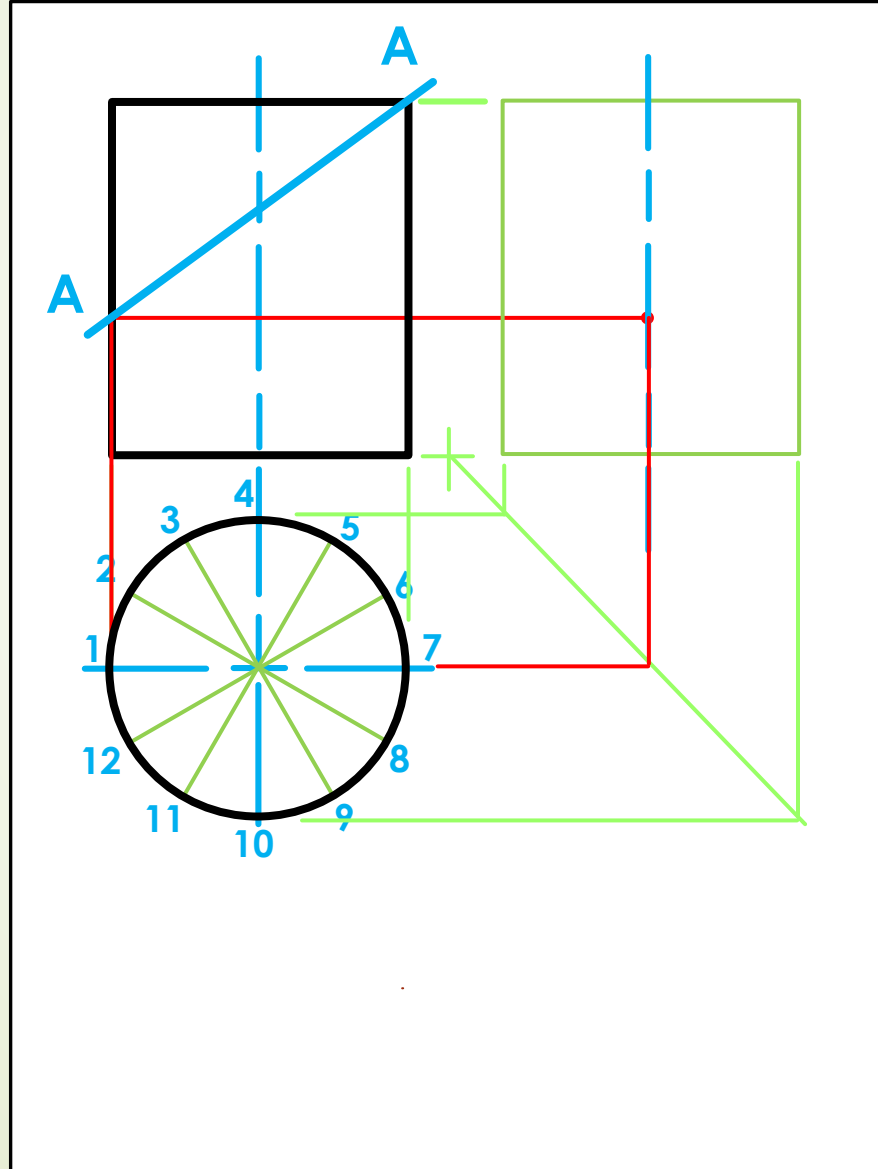
1. A front view
2. **A sectioned left view**
3. A top view



Application on polygons



FRONT VIEW



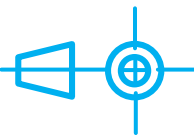
Given:

A cylinder with a radius of R 35.

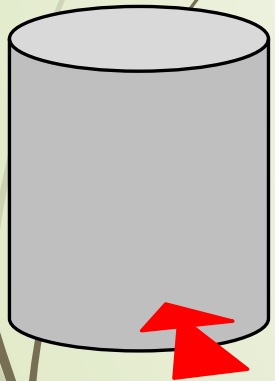
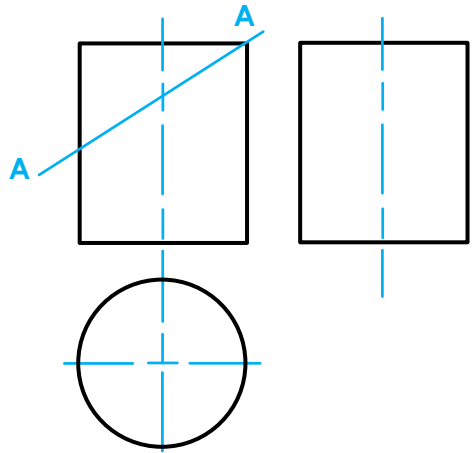
Question:

In F.A.O.P. draw...

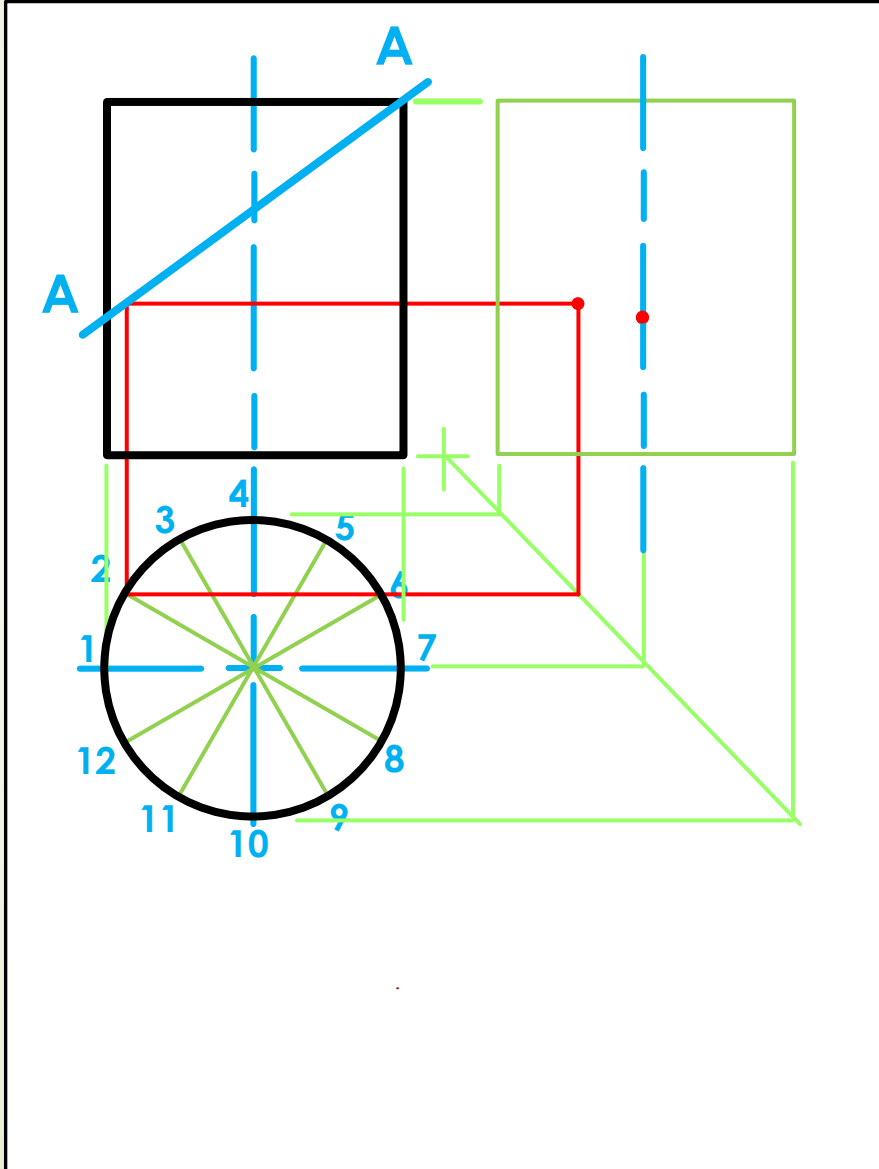
1. A front view
2. **A sectioned left view**
3. A top view



Application on polygons



FRONT VIEW



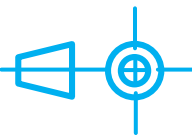
Given:

A cylinder with a radius of R 35.

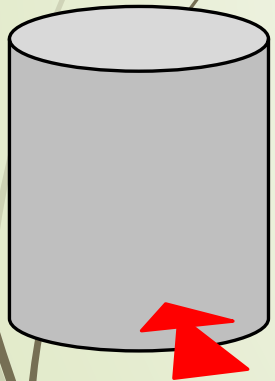
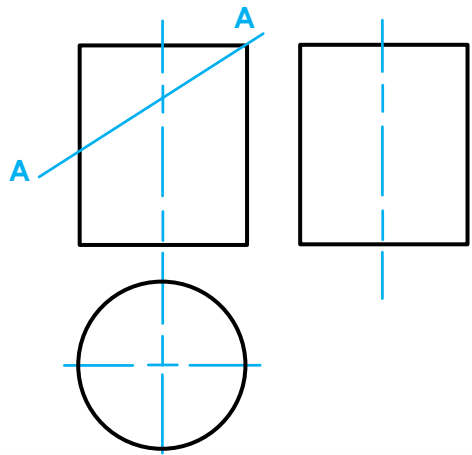
Question:

In F.A.O.P. draw...

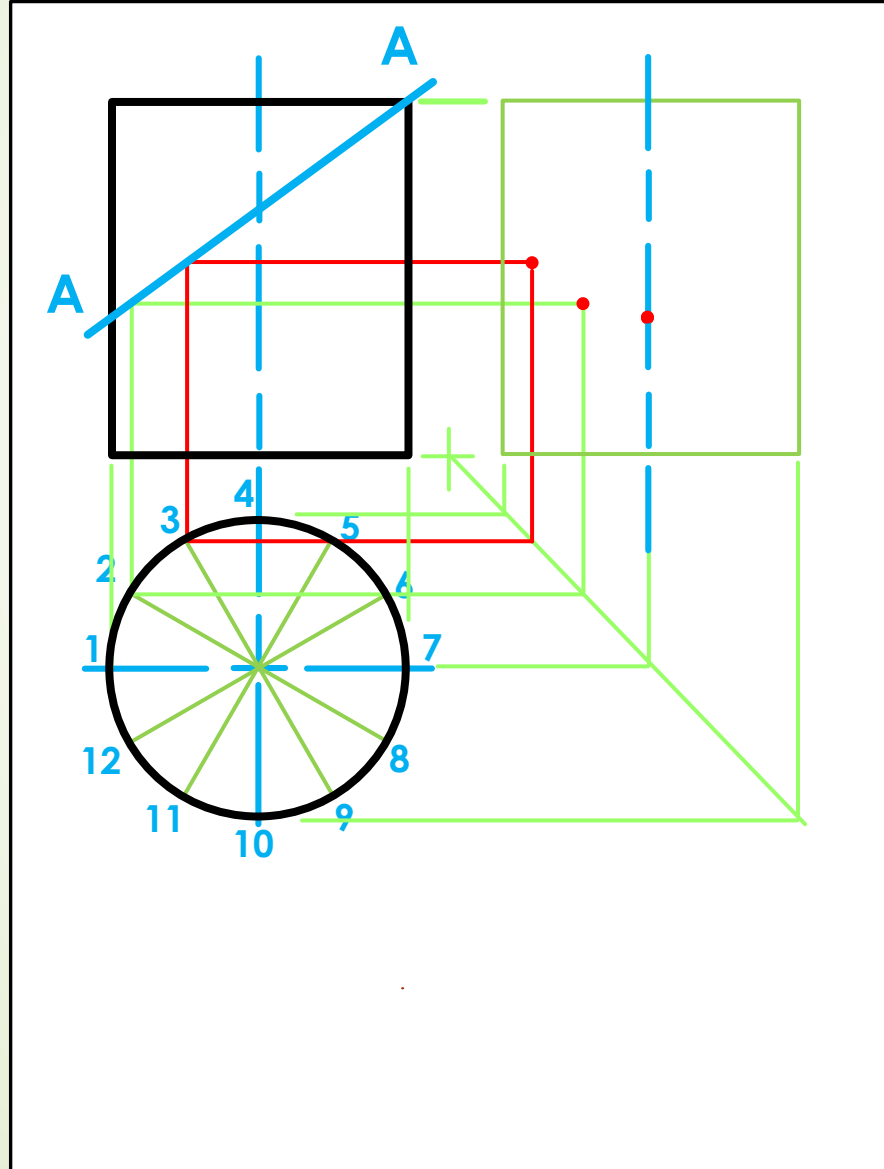
1. A front view
2. **A sectioned left view**
3. A top view



Application on polygons



FRONT VIEW



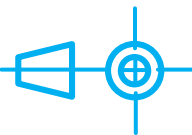
Given:

A cylinder with a radius of R 35.

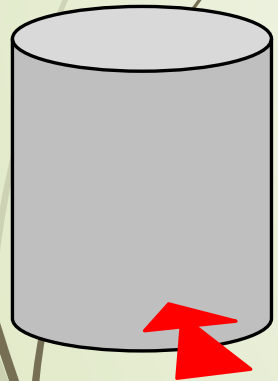
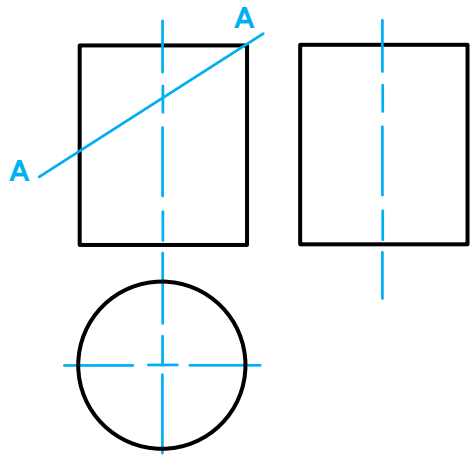
Question:

In F.A.O.P. draw...

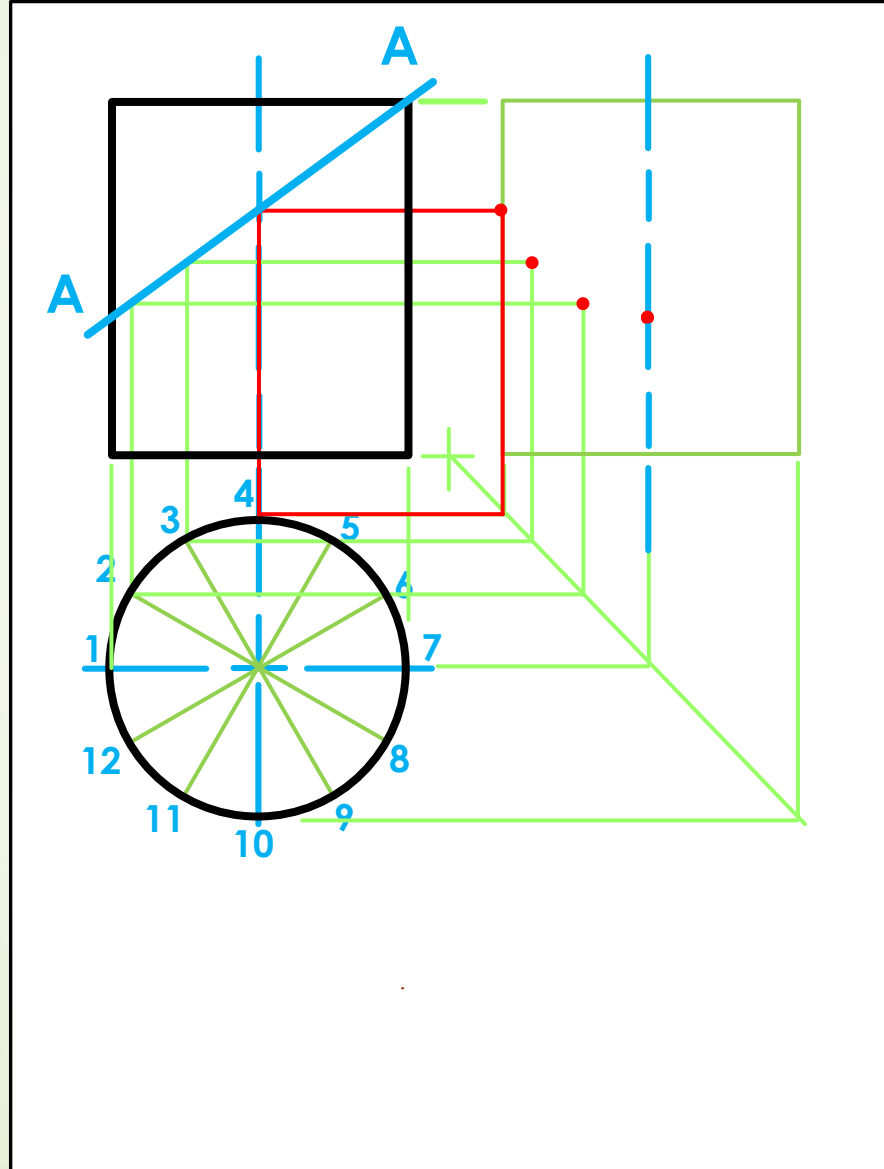
1. A front view
2. **A sectioned left view**
3. A top view



Application on polygons



FRONT VIEW



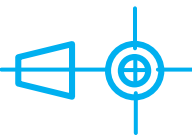
Given:

A cylinder with a radius of R 35.

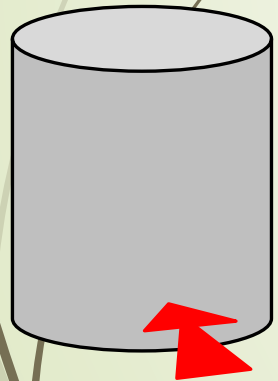
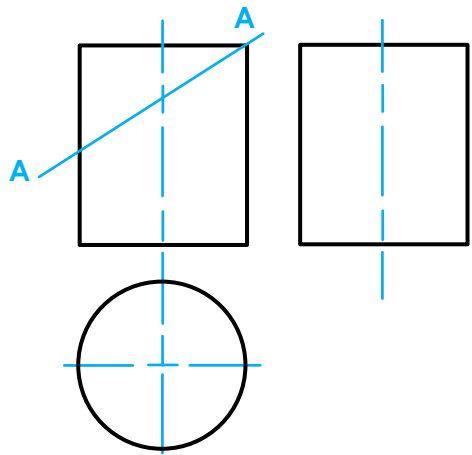
Question:

In F.A.O.P. draw...

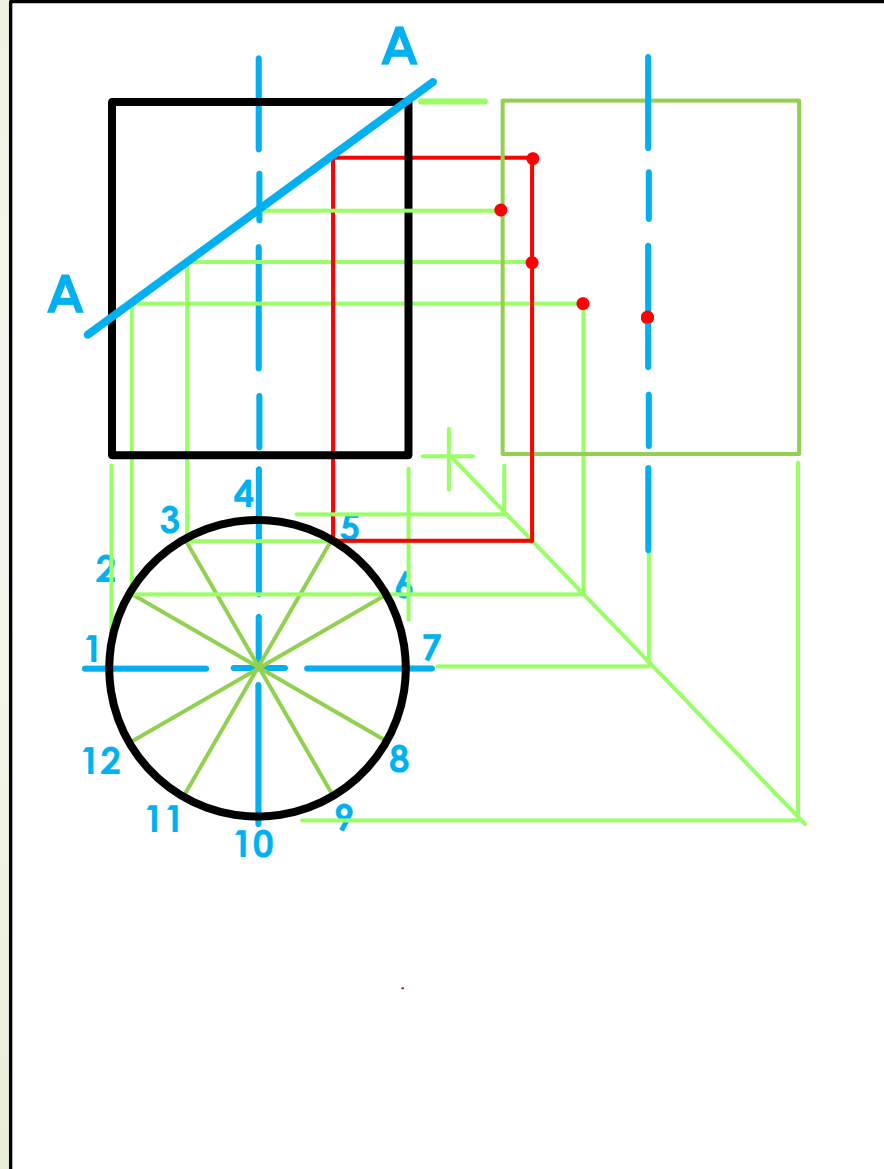
1. A front view
2. **A sectioned left view**
3. A top view



Application on polygons



FRONT VIEW



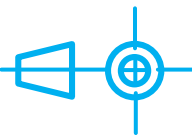
Given:

A cylinder with a radius of R 35.

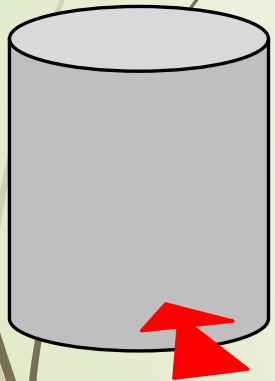
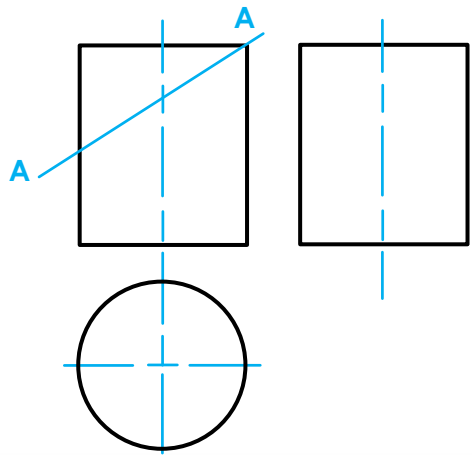
Question:

In F.A.O.P. draw...

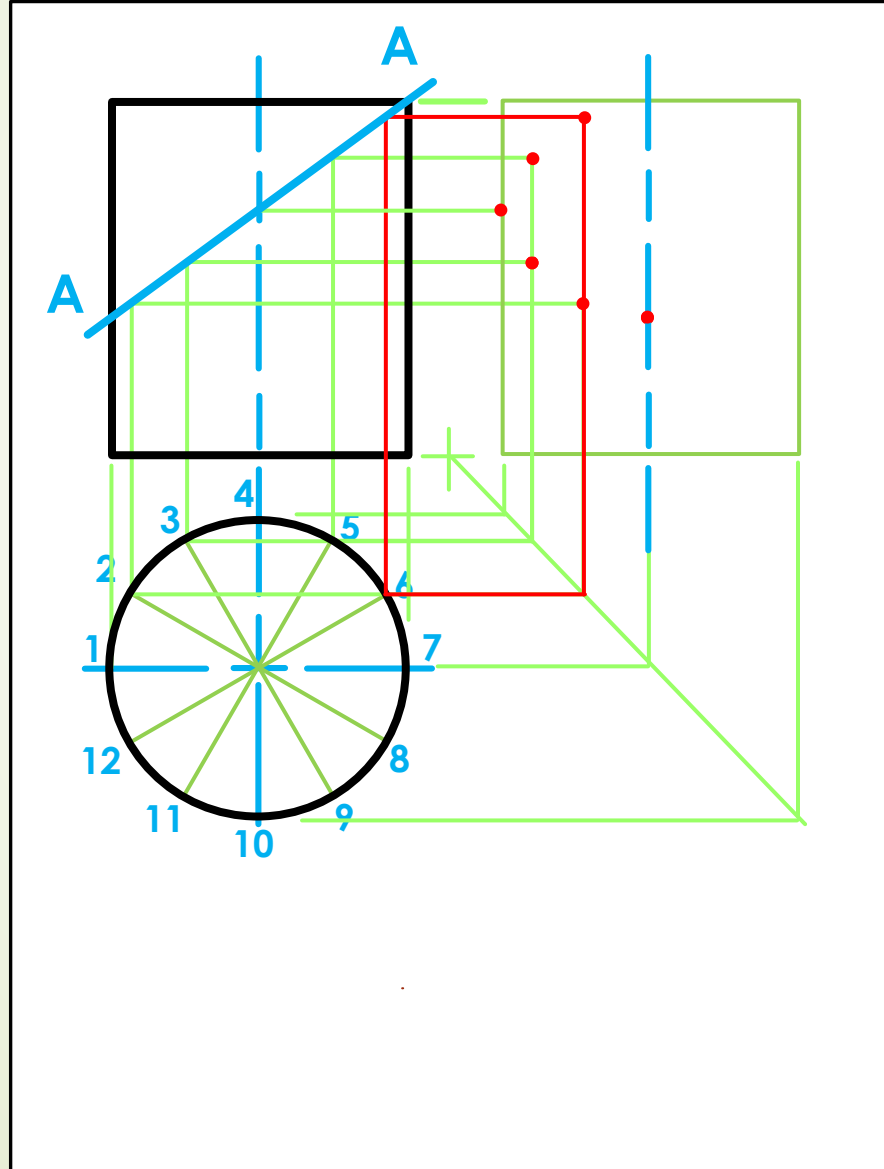
1. A front view
2. **A sectioned left view**
3. A top view



Application on polygons



FRONT VIEW



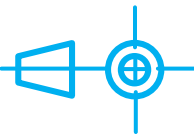
Given:

A cylinder with a radius of R 35.

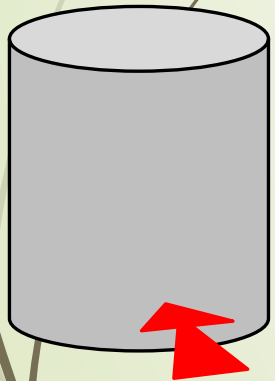
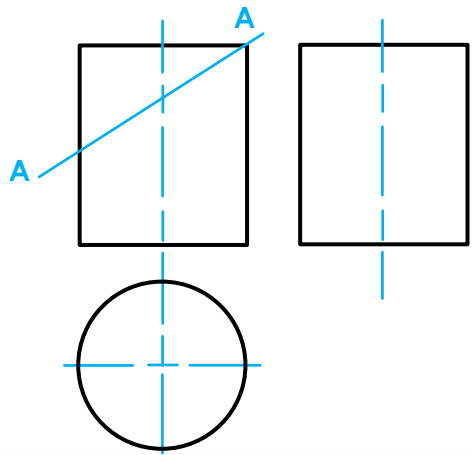
Question:

In F.A.O.P. draw...

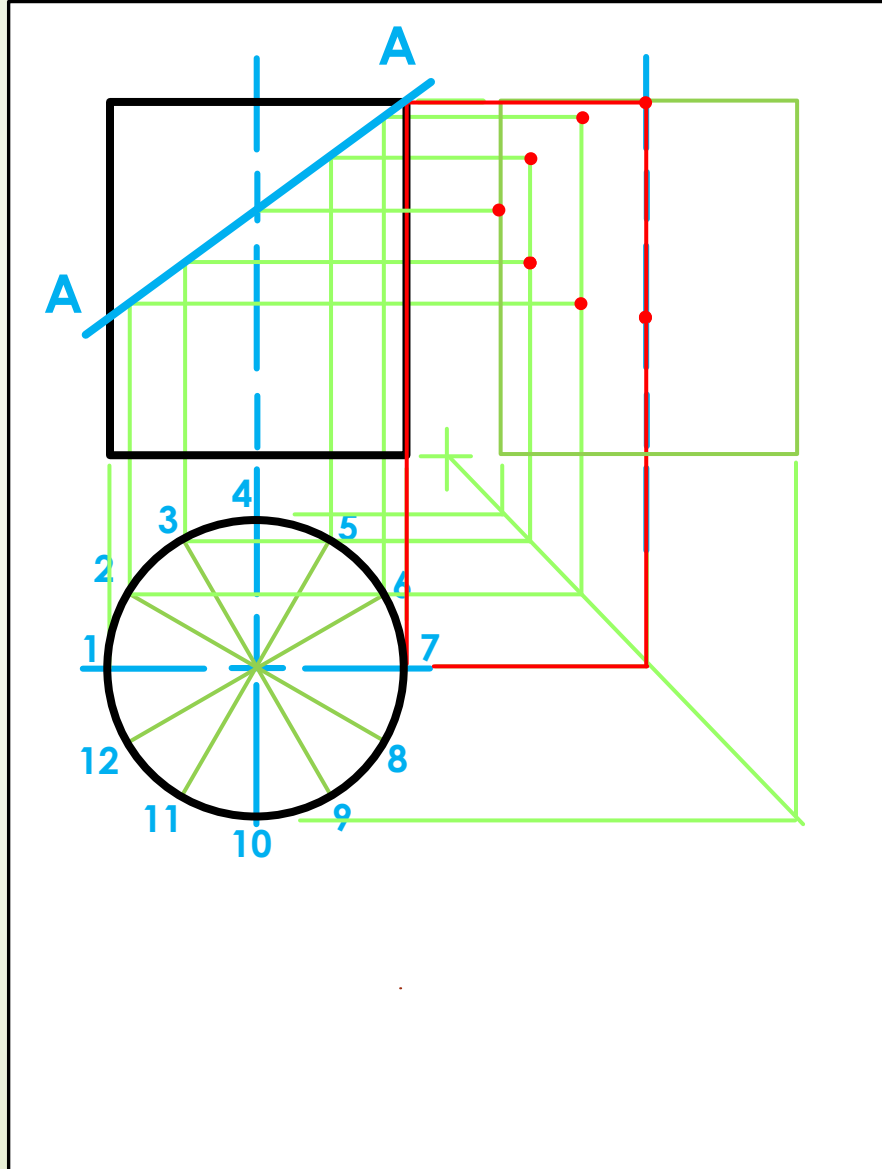
1. A front view
2. **A sectioned left view**
3. A top view



Application on polygons



FRONT VIEW



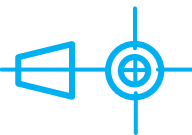
Given:

A cylinder with a radius of R 35.

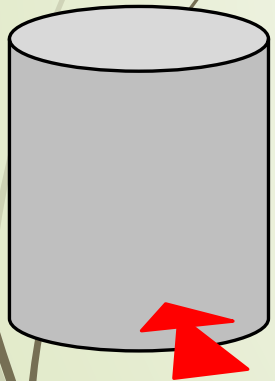
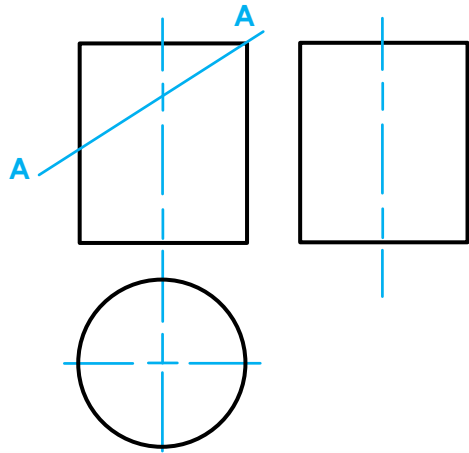
Question:

In F.A.O.P. draw...

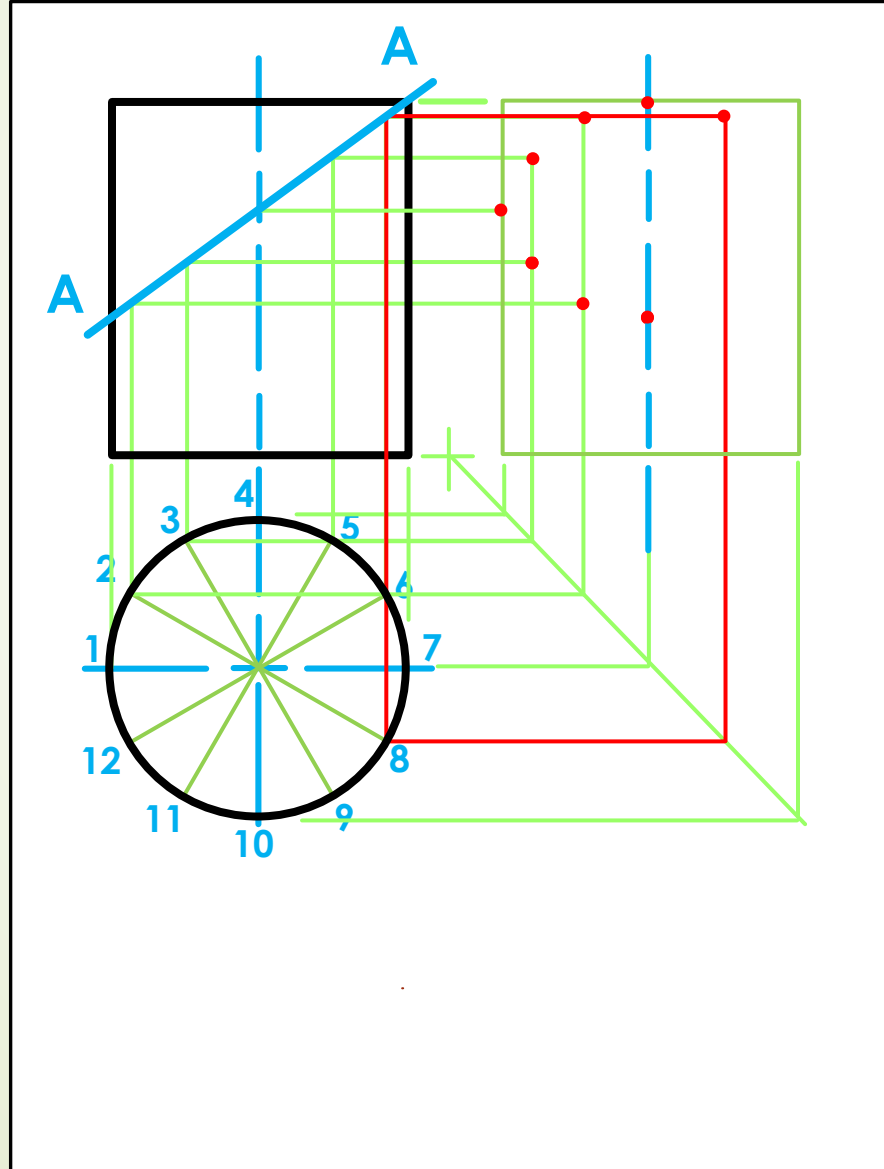
1. A front view
2. **A sectioned left view**
3. A top view



Application on polygons



FRONT VIEW



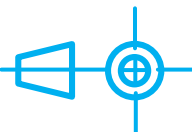
Given:

A cylinder with a radius of R 35.

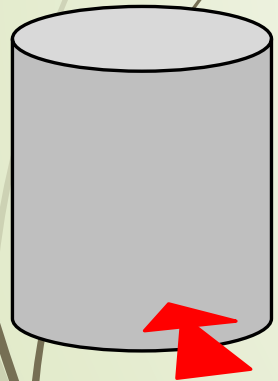
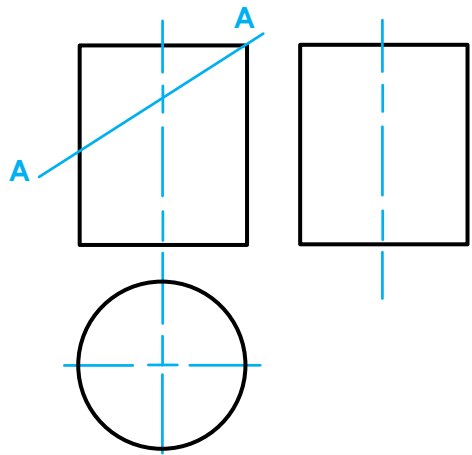
Question:

In F.A.O.P. draw...

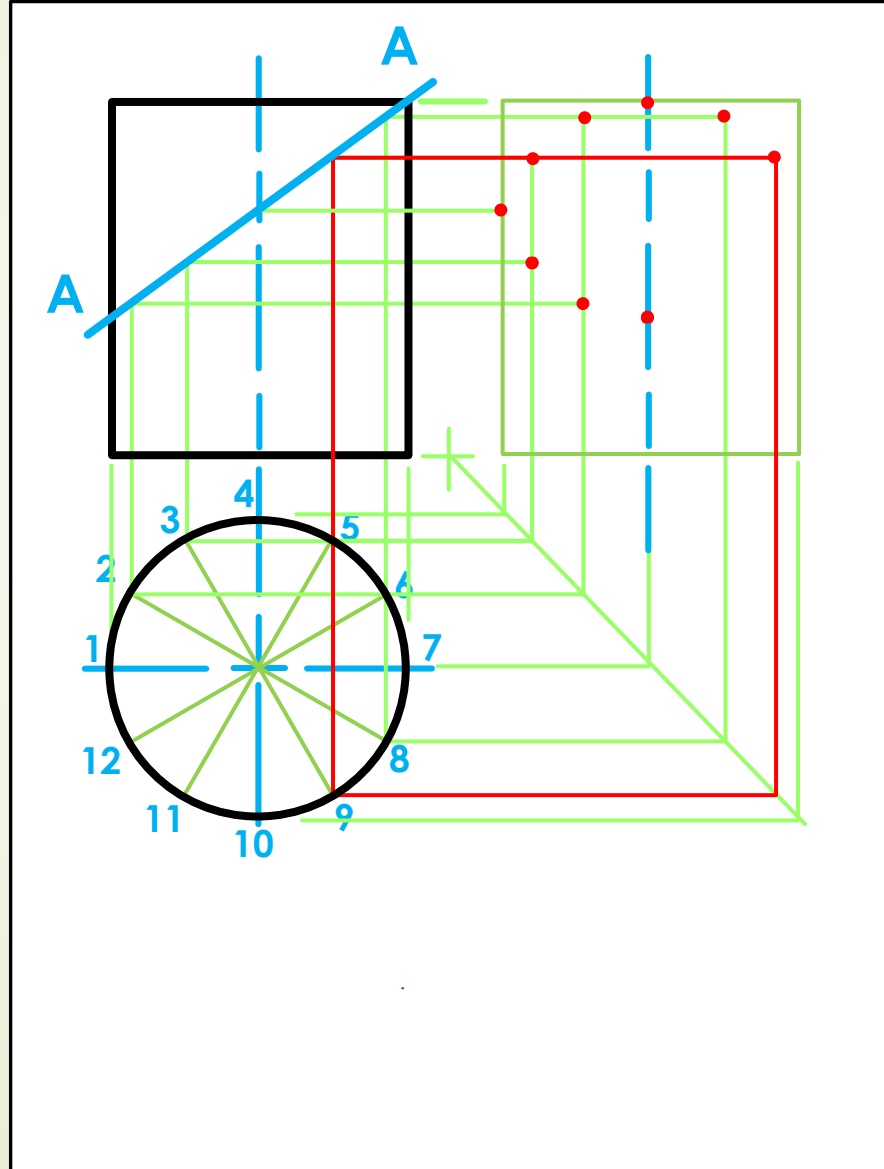
1. A front view
2. **A sectioned left view**
3. A top view



Application on polygons



FRONT VIEW



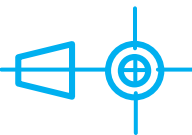
Given:

A cylinder with a radius of R 35.

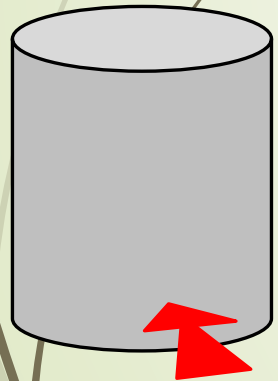
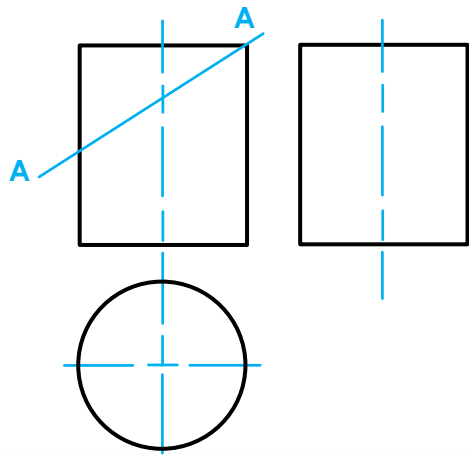
Question:

In F.A.O.P. draw...

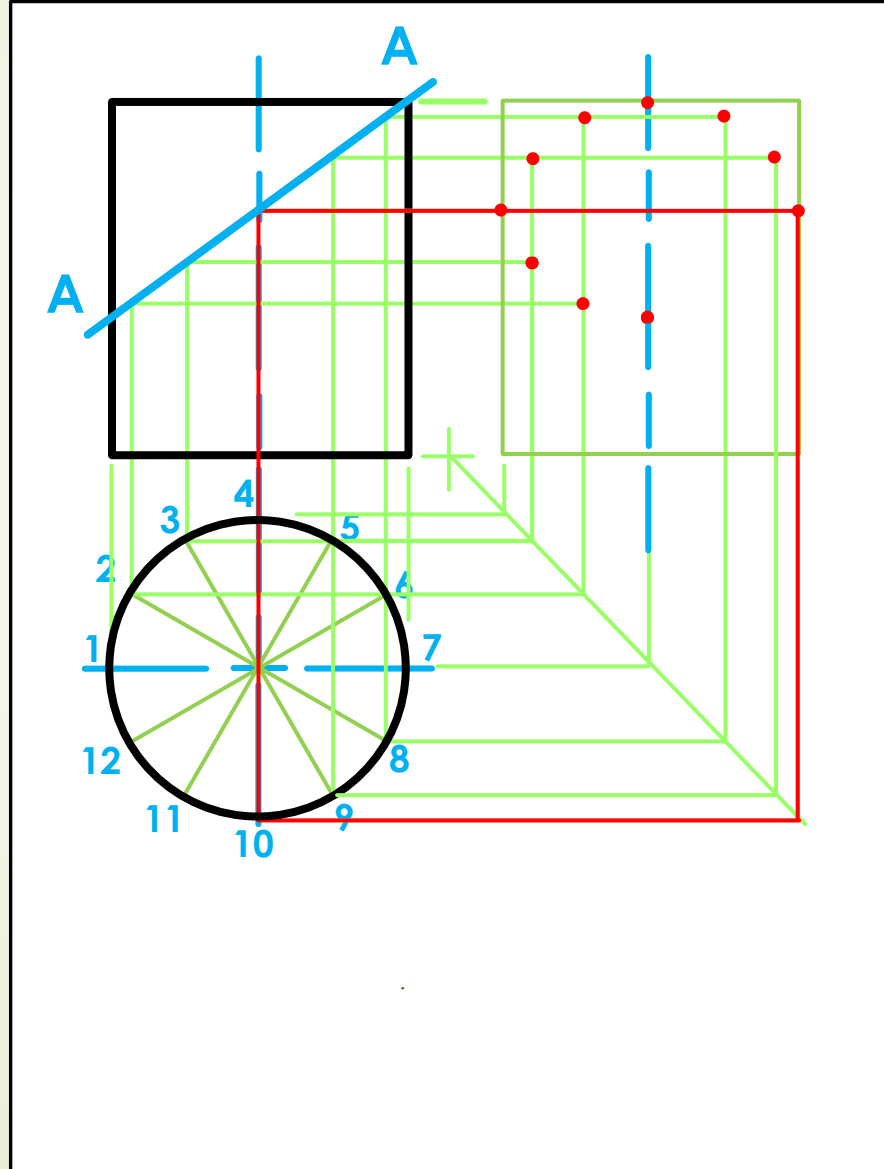
1. A front view
2. **A sectioned left view**
3. A top view



Application on polygons



FRONT VIEW



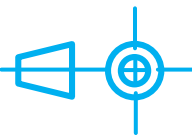
Given:

A cylinder with a radius of R 35.

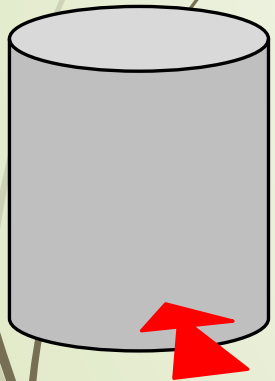
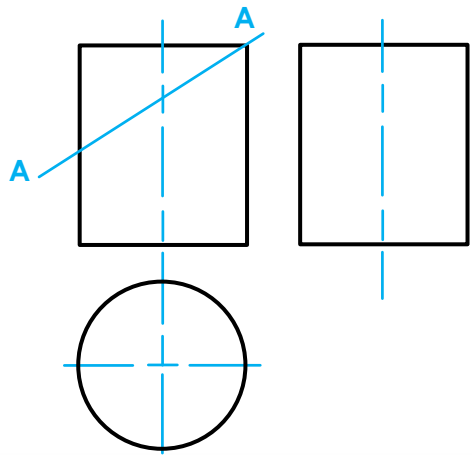
Question:

In F.A.O.P. draw...

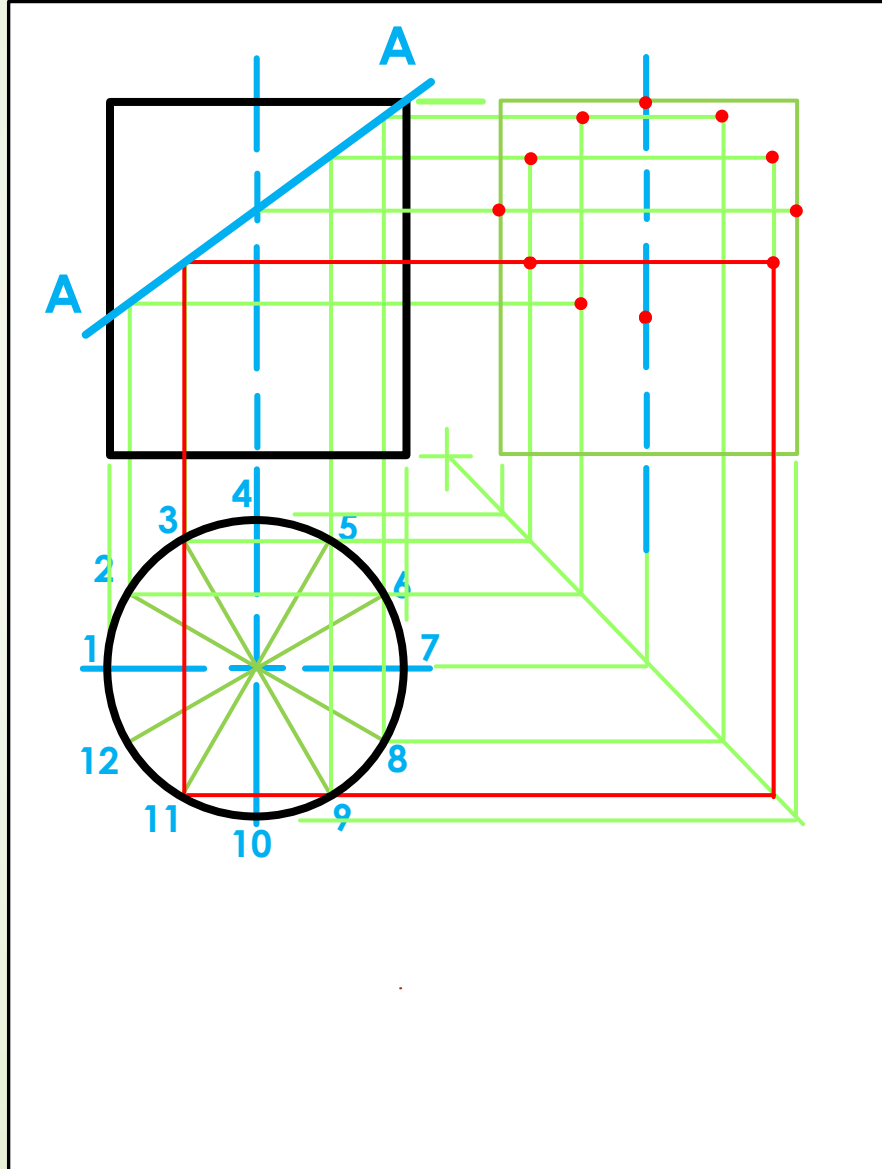
1. A front view
2. **A sectioned left view**
3. A top view



Application on polygons



FRONT VIEW



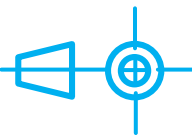
Given:

A cylinder with a radius of R 35.

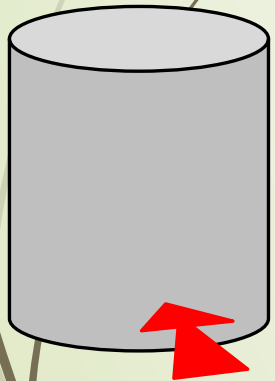
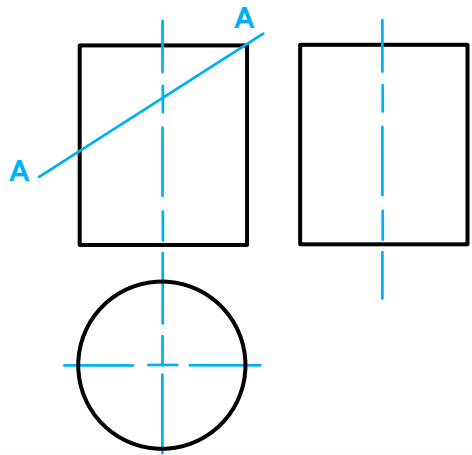
Question:

In F.A.O.P. draw...

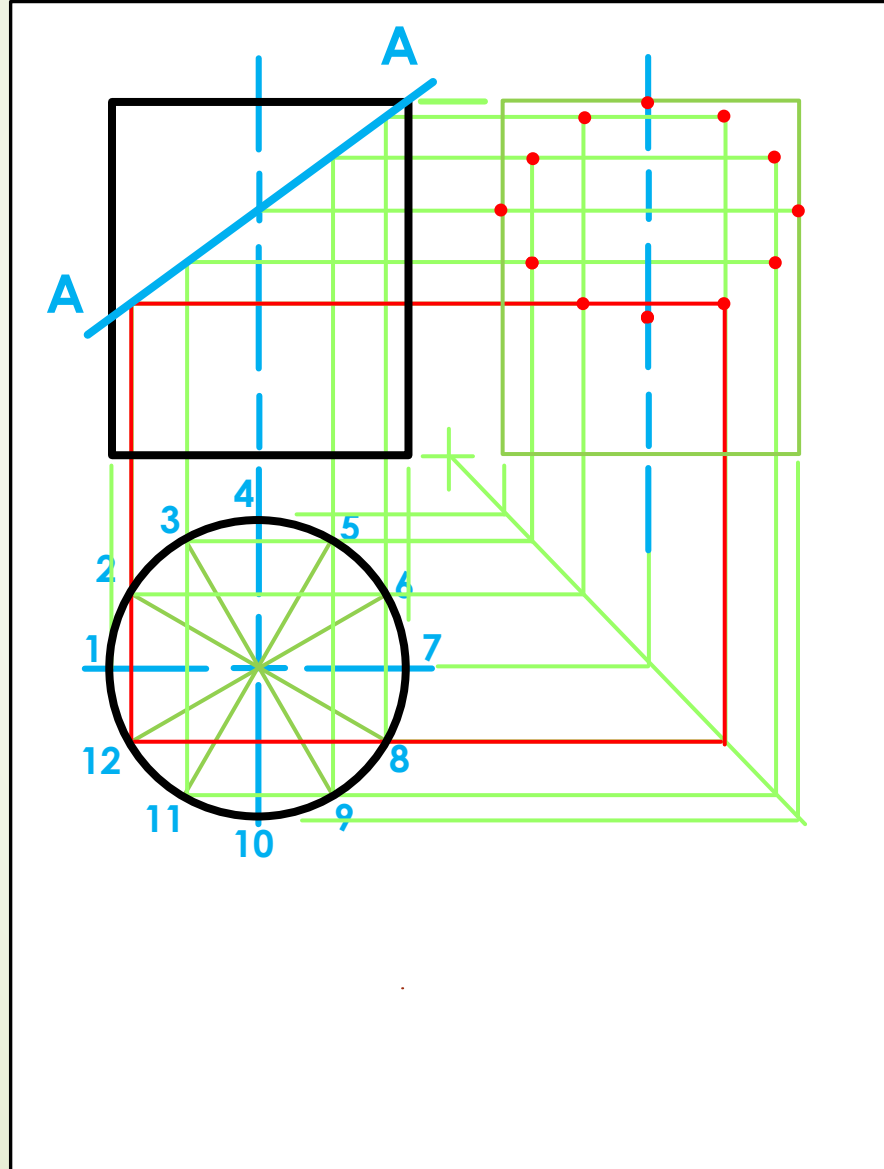
1. A front view
2. **A sectioned left view**
3. A top view



Application on polygons



FRONT VIEW



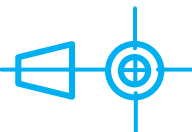
Given:

A cylinder with a radius of R 35.

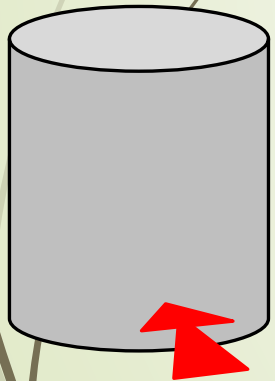
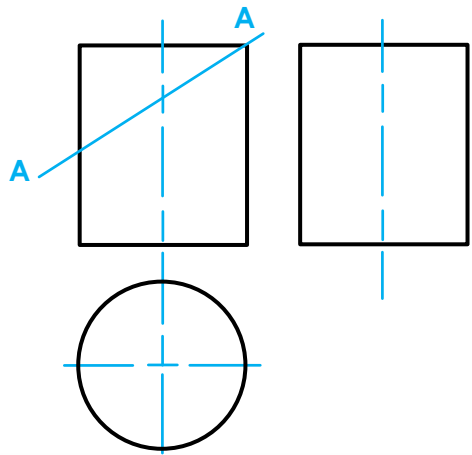
Question:

In F.A.O.P. draw...

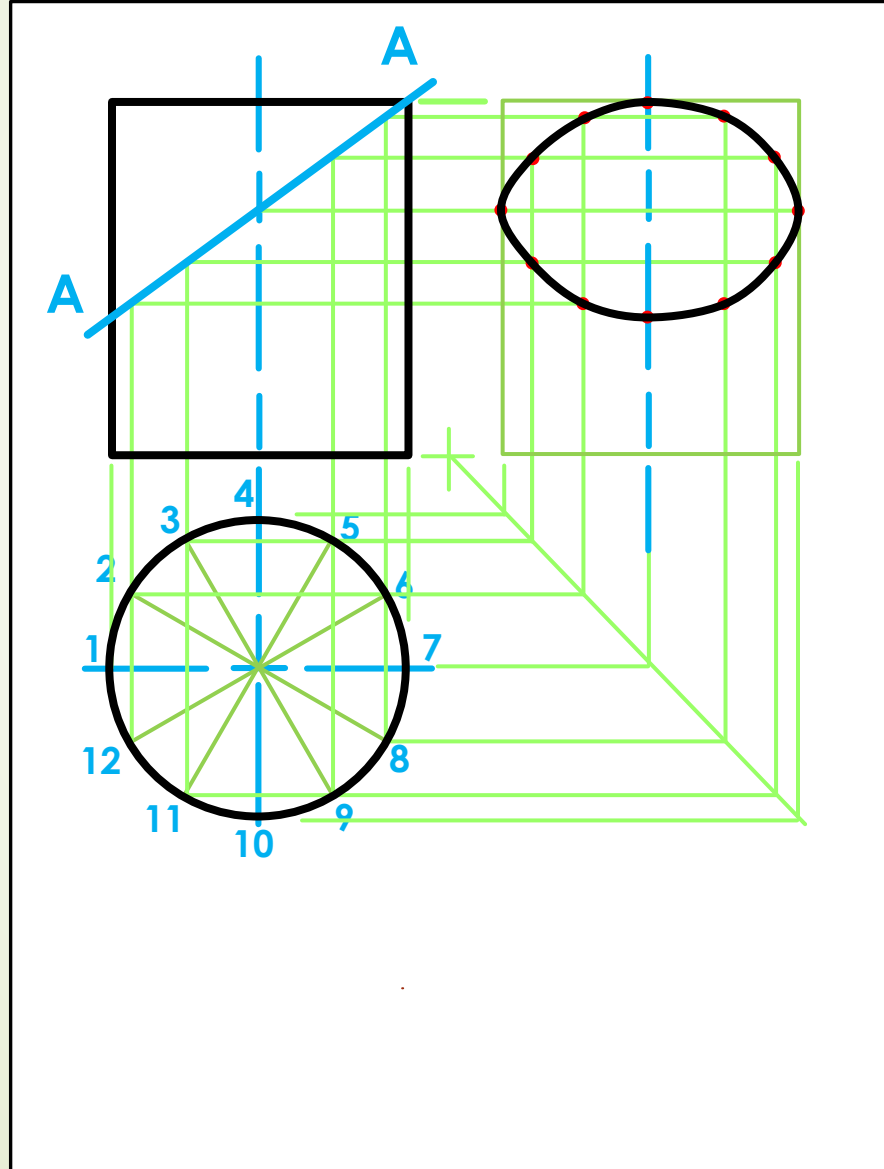
1. A front view
2. **A sectioned left view**
3. A top view



Application on polygons



FRONT VIEW



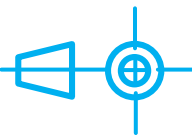
Given:

A cylinder with a radius of R 35.

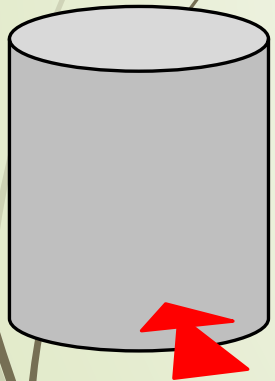
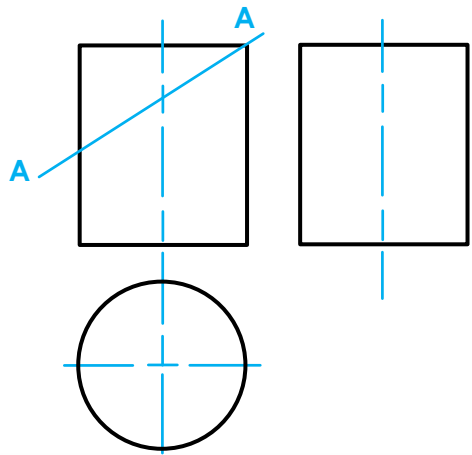
Question:

In F.A.O.P. draw...

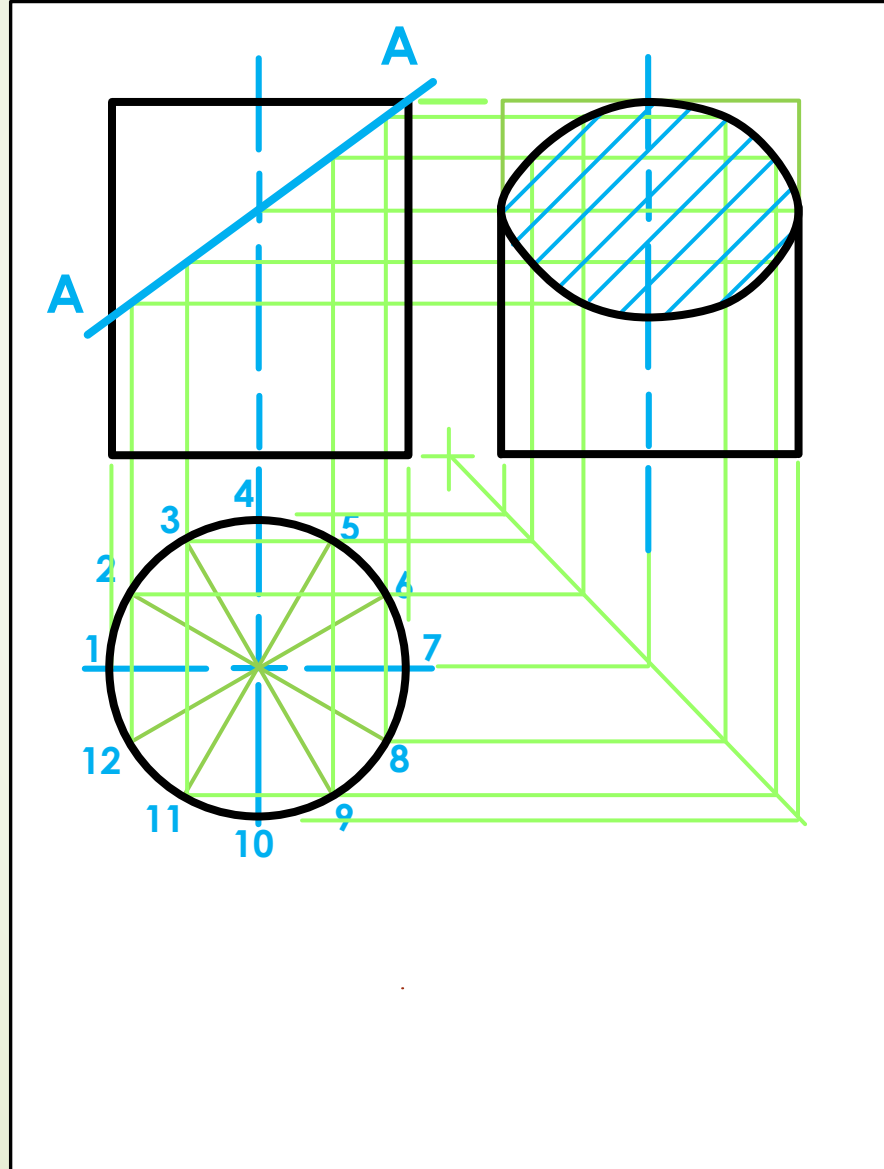
1. A front view
2. **A sectioned left view**
3. A top view



Application on polygons



FRONT VIEW



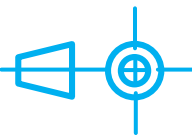
Given:

A cylinder with a radius of R 35.

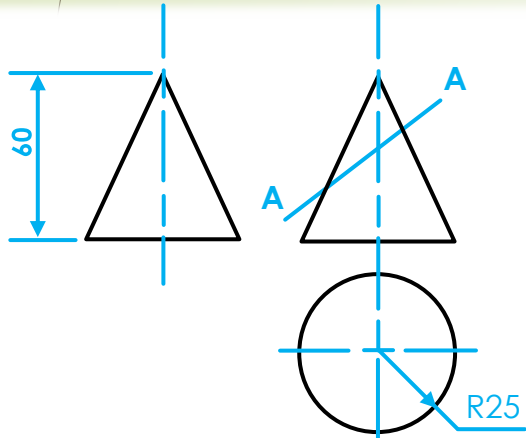
Question:

In F.A.O.P. draw...

1. A front view
2. **A sectioned left view**
3. A top view



Application on polygons



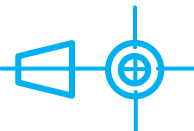
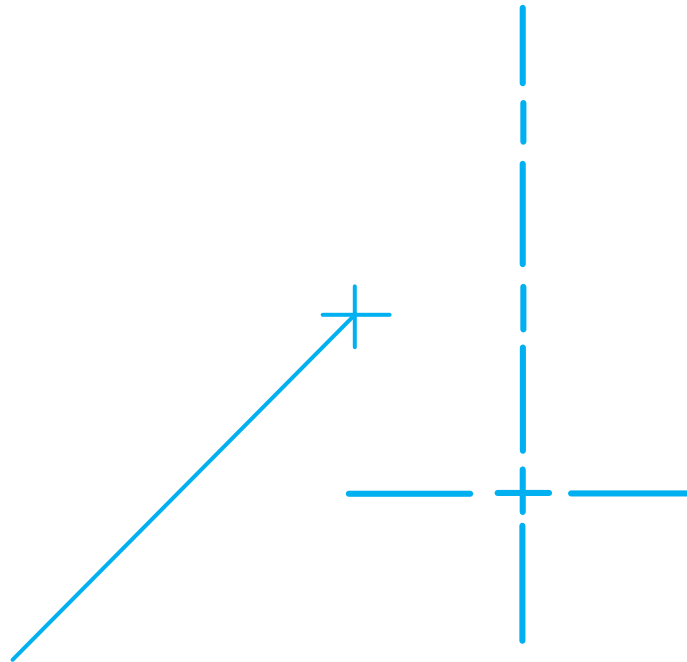
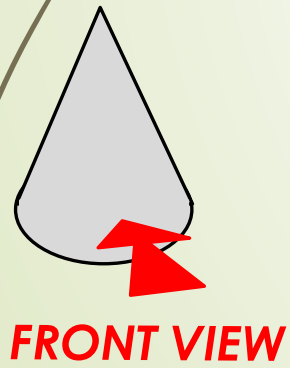
Given:

A cone 60 mm high.

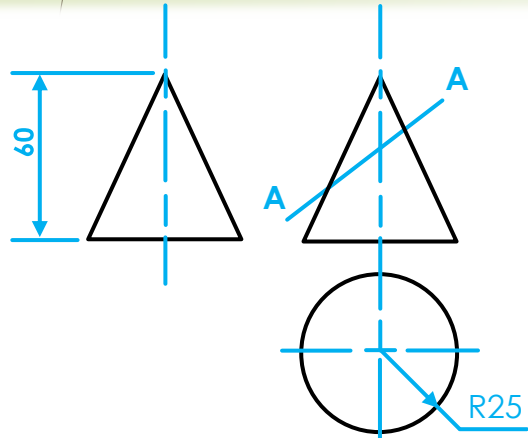
Question:

In F.A.O.P. draw...

1. A front view
2. A right view
3. A sectioned **top view**



Application on polygons



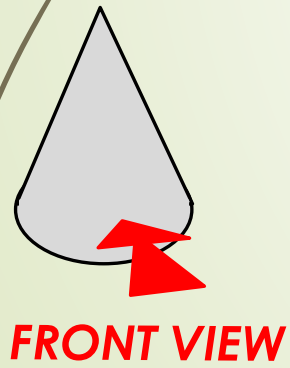
Given:

A cone 60 mm high.

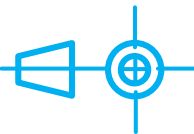
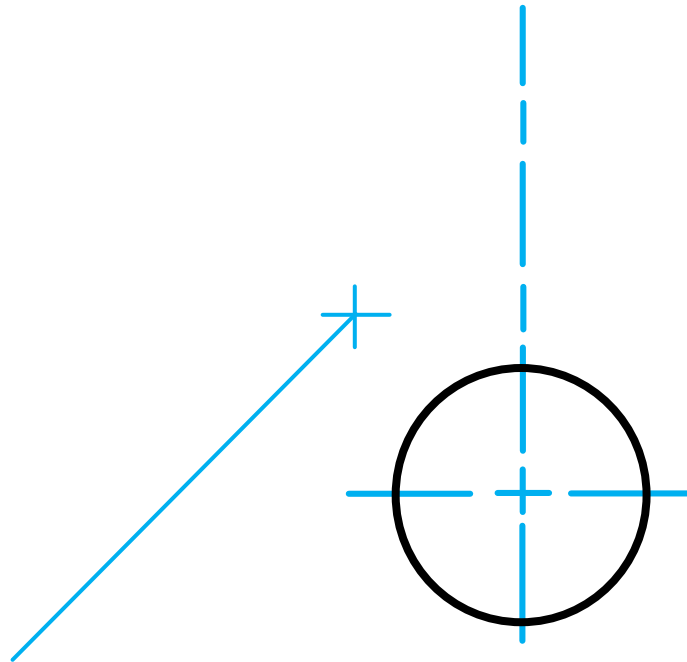
Question:

In F.A.O.P. draw...

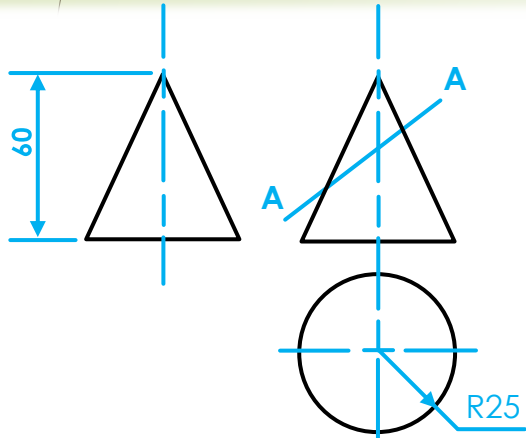
1. A front view
2. A right view
3. A sectioned **top view**



FRONT VIEW



Application on polygons



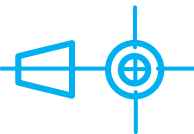
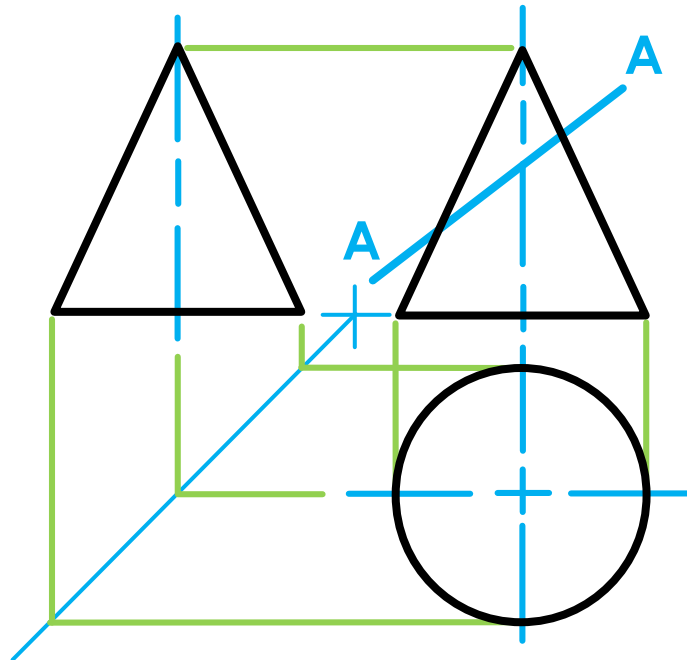
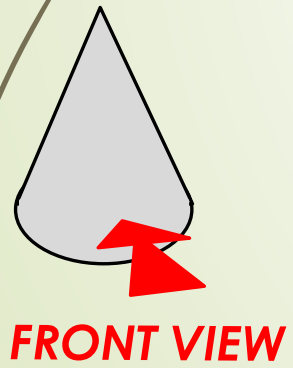
Given:

A cone 60 mm high.

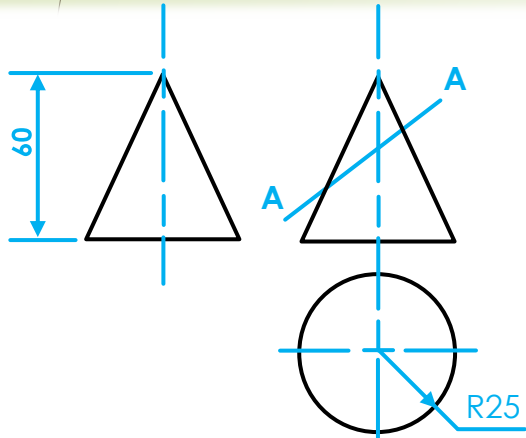
Question:

In F.A.O.P. draw...

1. A front view
2. A right view
3. A sectioned top view



Application on polygons



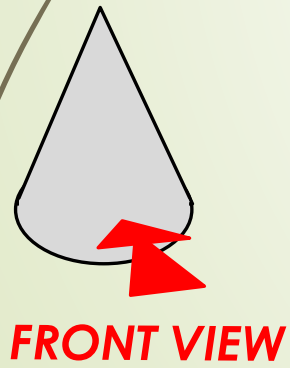
Given:

A cone 60 mm high.

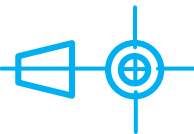
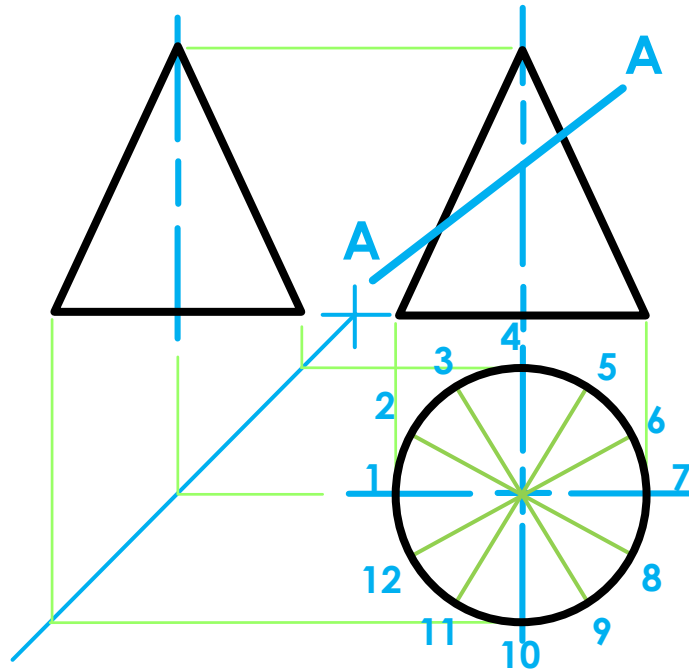
Question:

In F.A.O.P. draw...

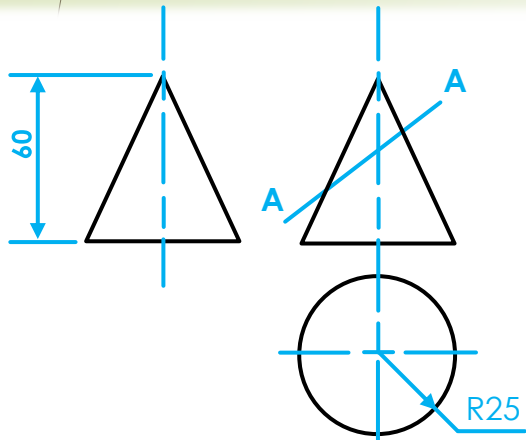
1. A front view
2. A right view
3. **A sectioned top view**



FRONT VIEW



Application on polygons



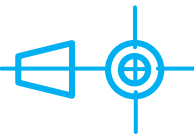
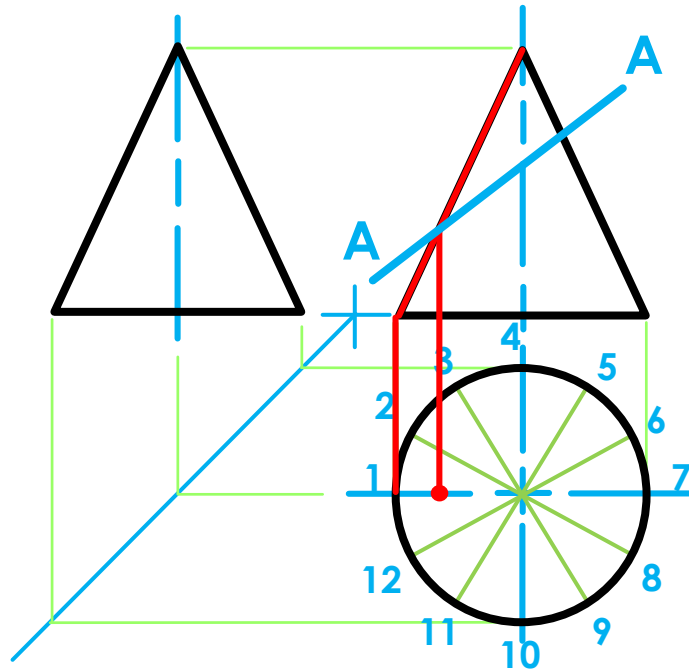
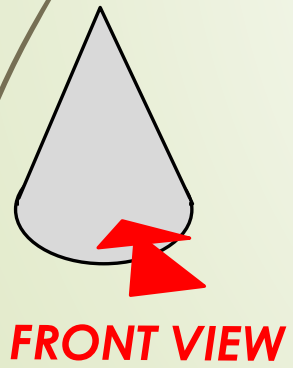
Given:

A cone 60 mm high.

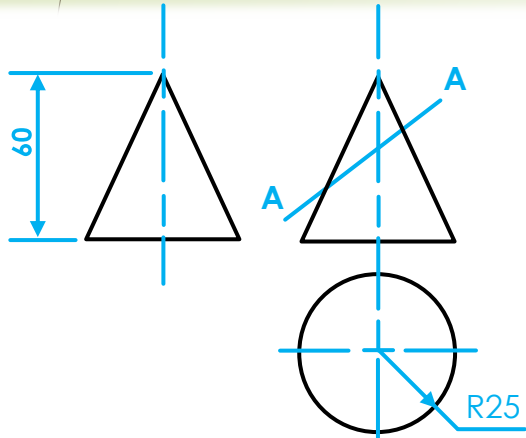
Question:

In F.A.O.P. draw...

1. A front view
2. A right view
3. **A sectioned top view**



Application on polygons



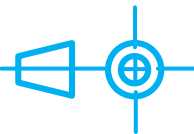
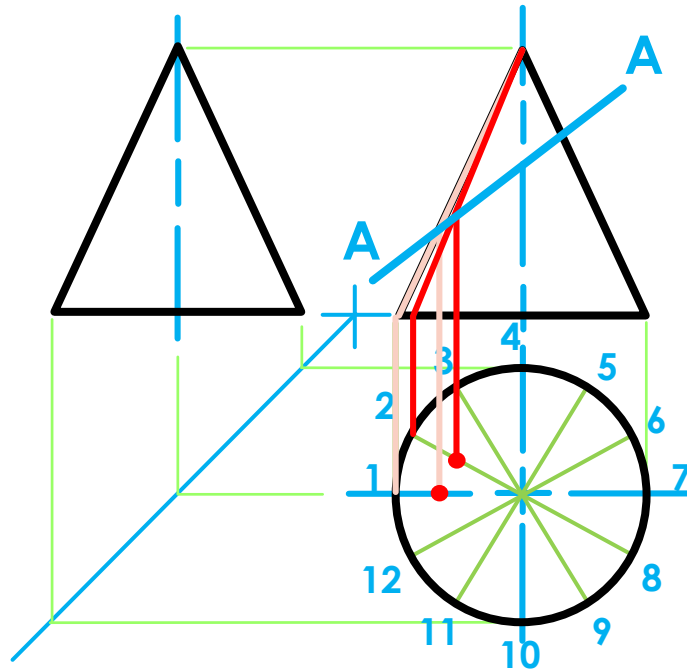
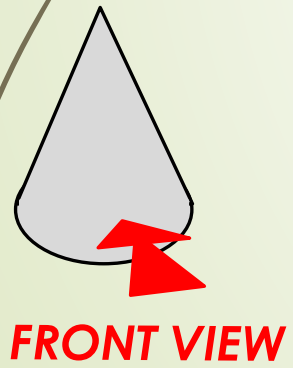
Given:

A cone 60 mm high.

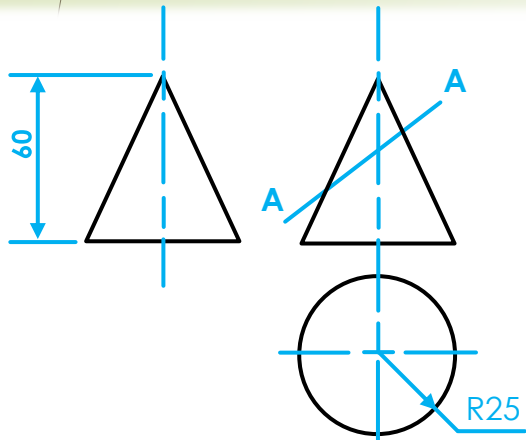
Question:

In F.A.O.P. draw...

1. A front view
2. A right view
3. **A sectioned top view**



Application on polygons



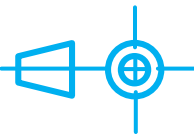
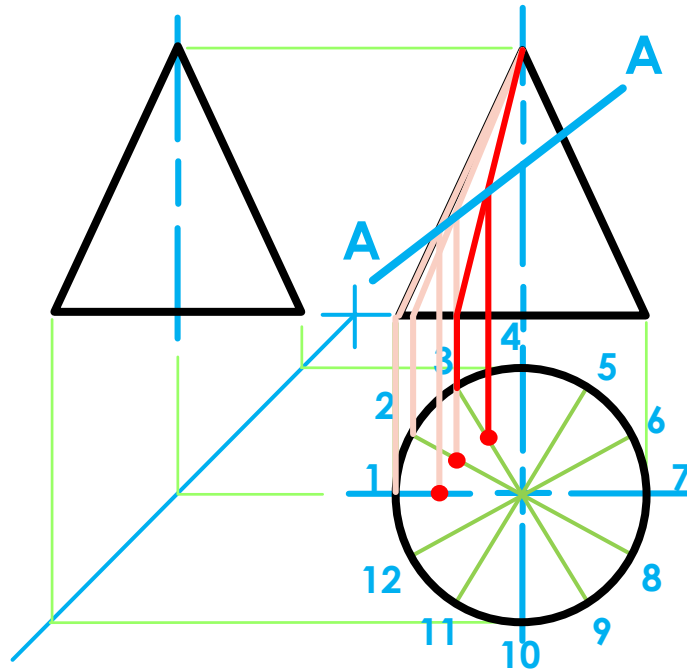
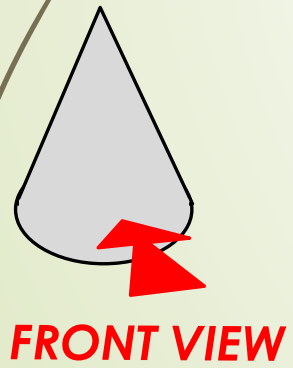
Given:

A cone 60 mm high.

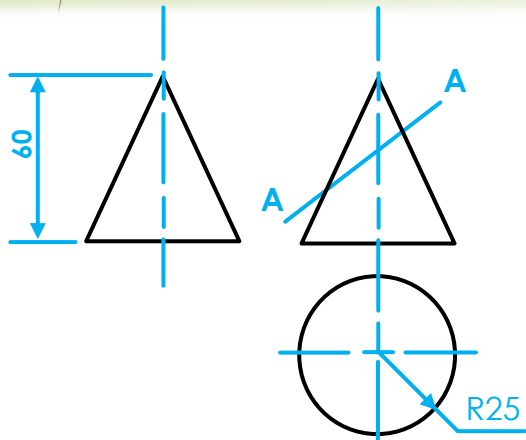
Question:

In F.A.O.P. draw...

1. A front view
2. A right view
3. **A sectioned top view**



Application on polygons



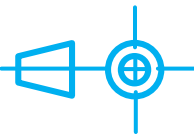
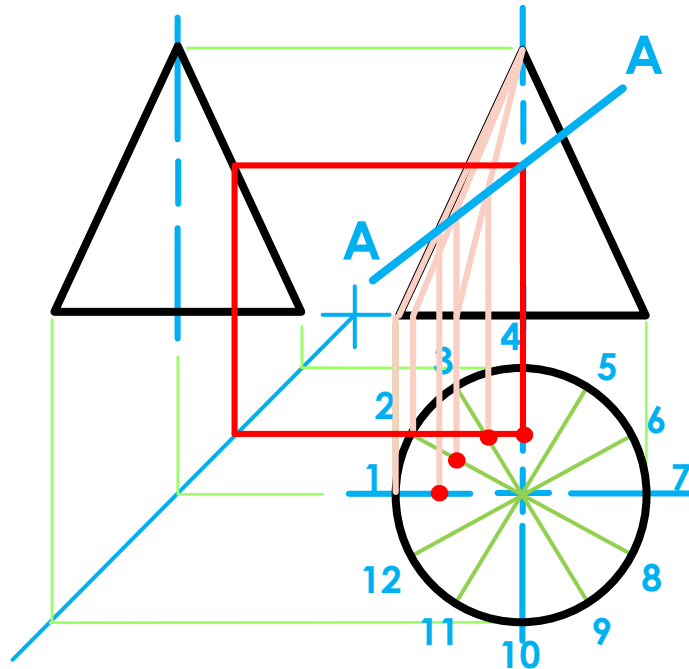
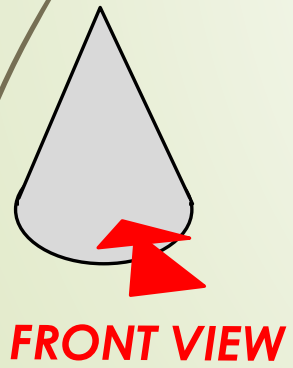
Given:

A cone 60 mm high.

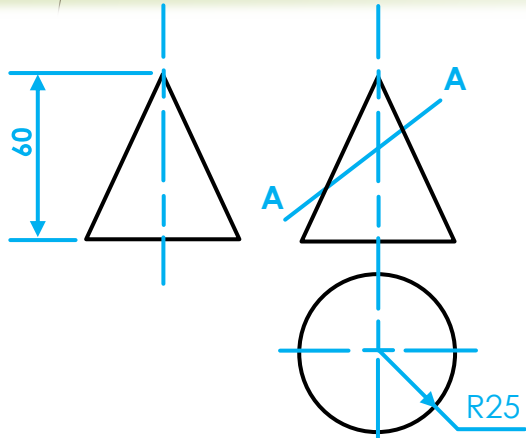
Question:

In F.A.O.P. draw...

1. A front view
2. A right view
3. **A sectioned top view**



Application on polygons



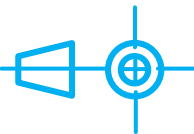
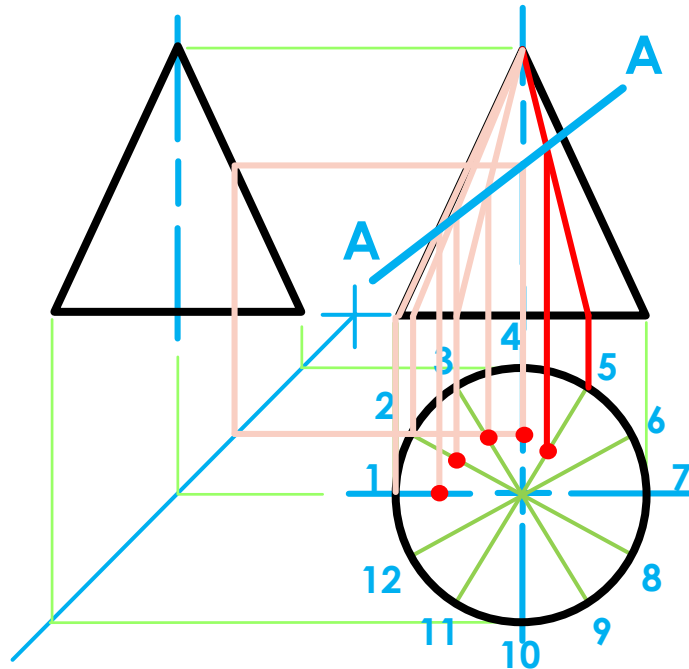
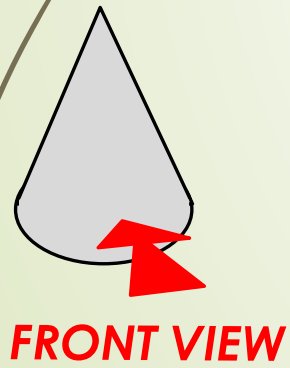
Given:

A cone 60 mm high.

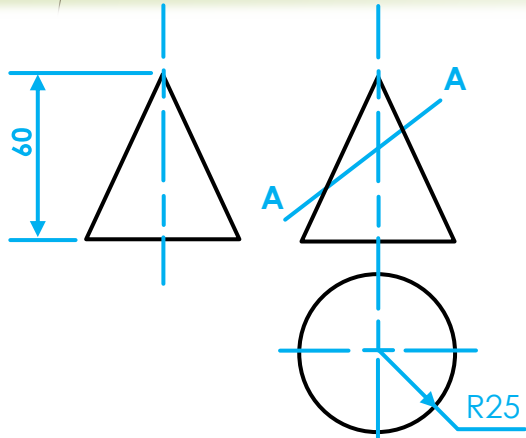
Question:

In F.A.O.P. draw...

1. A front view
2. A right view
3. **A sectioned top view**



Application on polygons



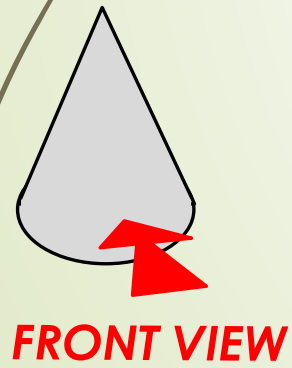
Given:

A cone 60 mm high.

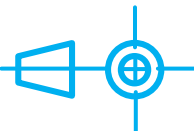
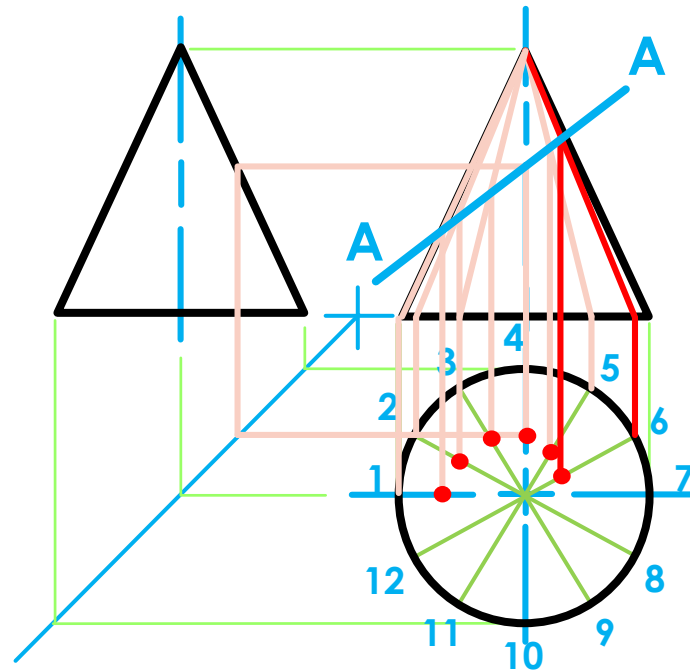
Question:

In F.A.O.P. draw...

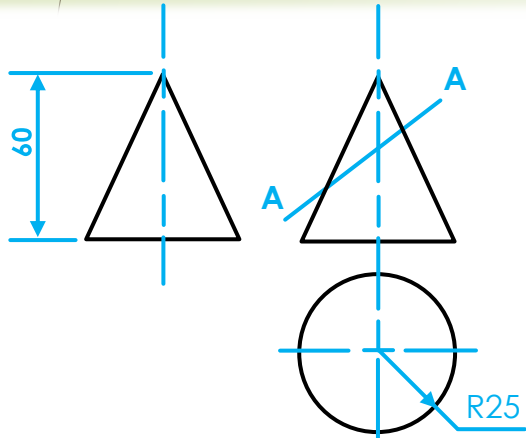
1. A front view
2. A right view
3. **A sectioned top view**



FRONT VIEW



Application on polygons



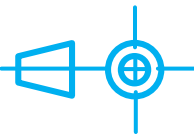
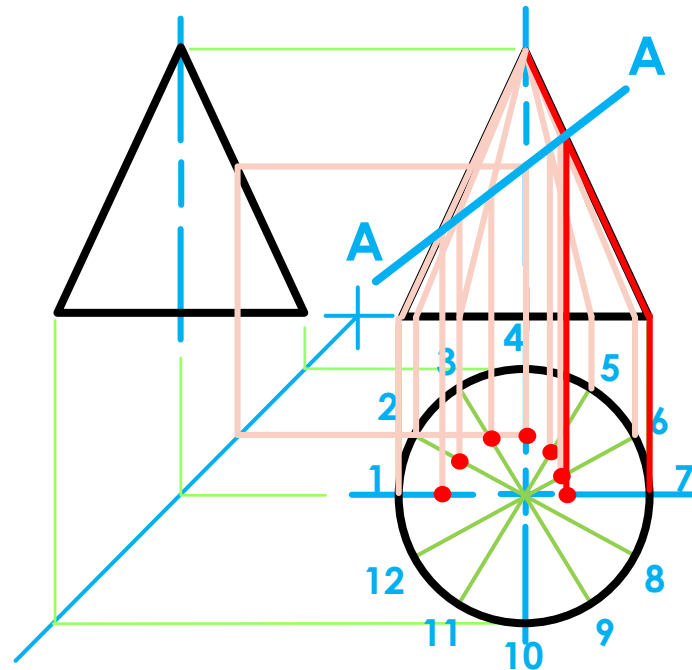
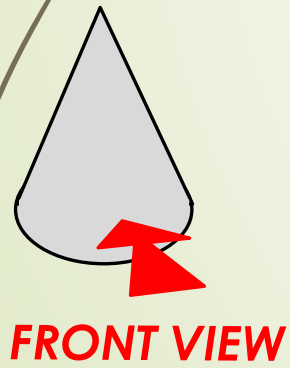
Given:

A cone 60 mm high.

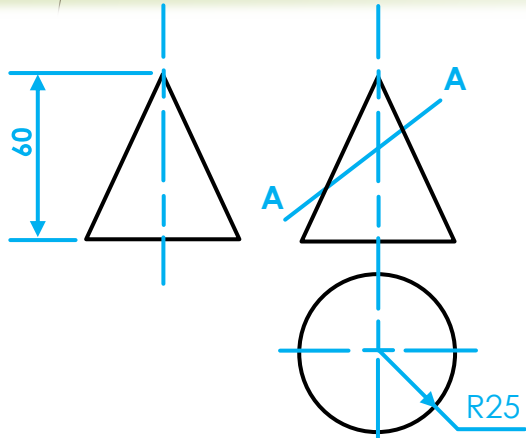
Question:

In F.A.O.P. draw...

1. A front view
2. A right view
3. **A sectioned top view**



Application on polygons



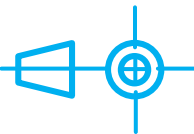
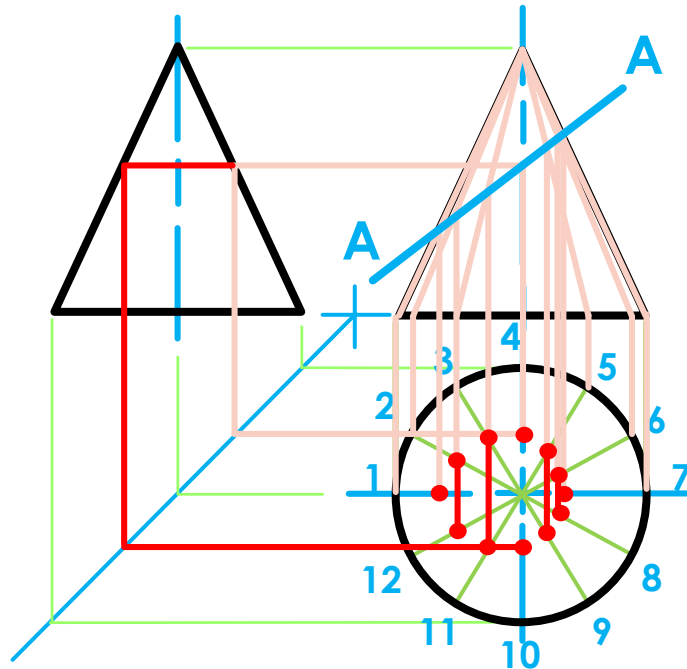
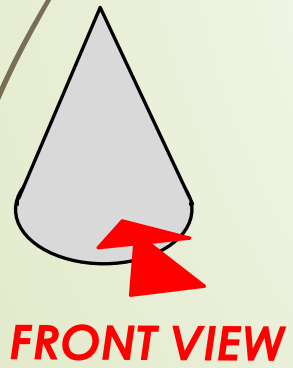
Given:

A cone 60 mm high.

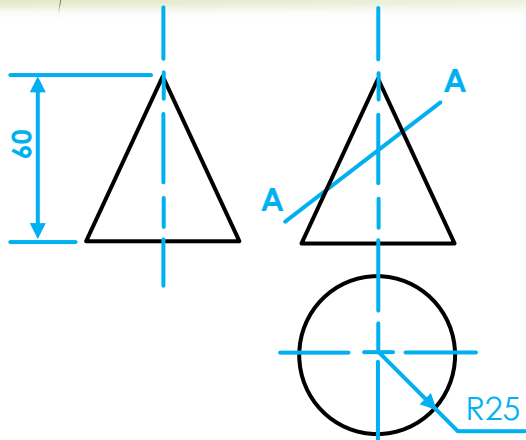
Question:

In F.A.O.P. draw...

1. A front view
2. A right view
3. **A sectioned top view**



Application on polygons



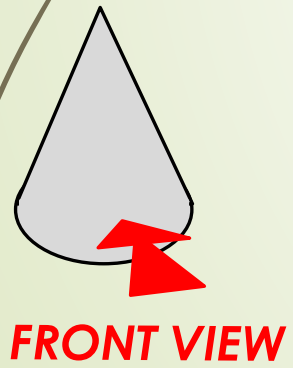
Given:

A cone 60 mm high.

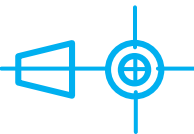
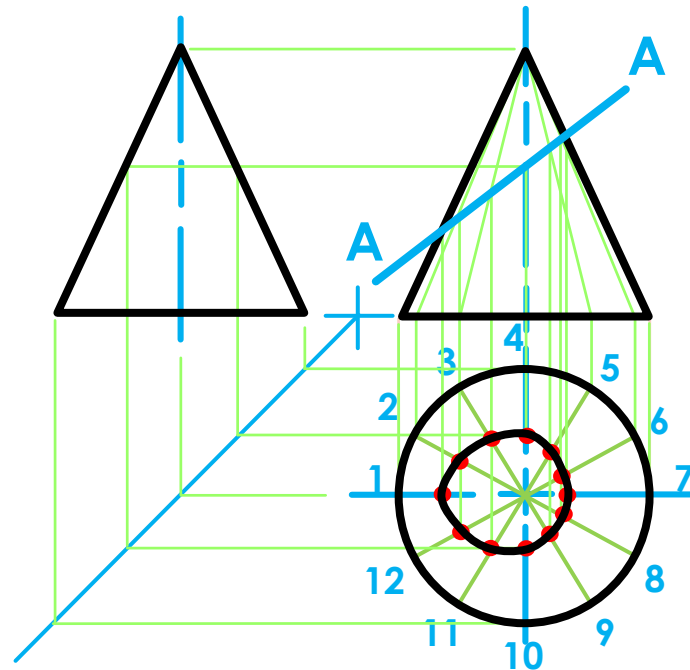
Question:

In F.A.O.P. draw...

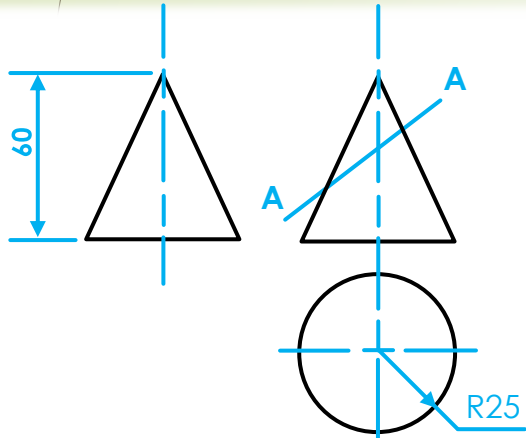
1. A front view
2. A right view
3. **A sectioned top view**



FRONT VIEW



Application on polygons



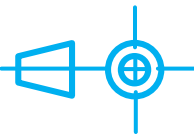
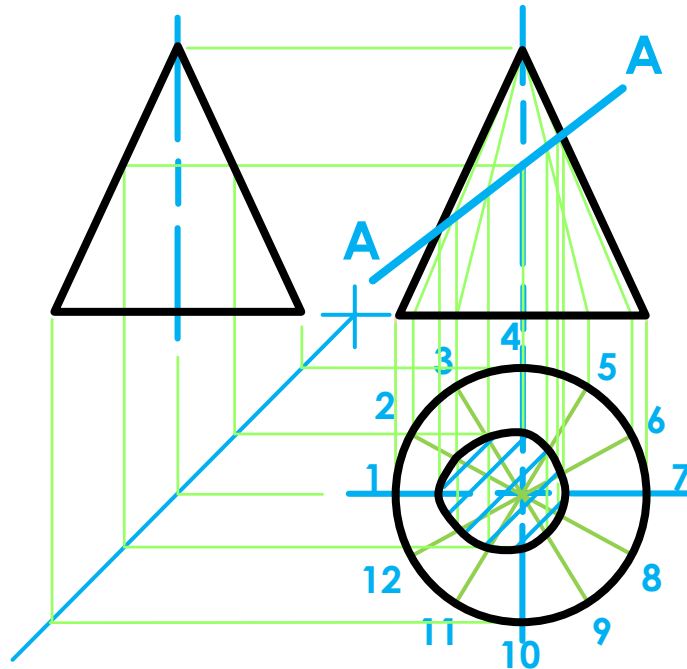
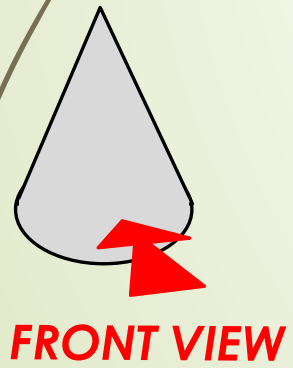
Given:

A cone 60 mm high.

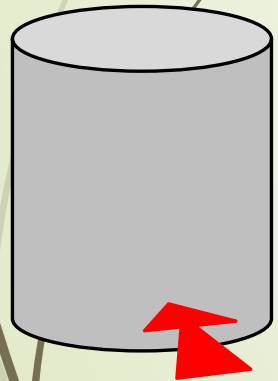
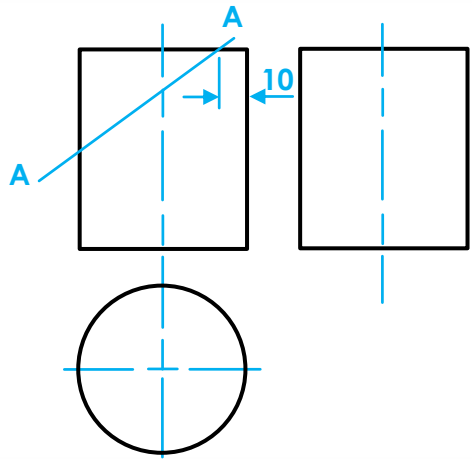
Question:

In F.A.O.P. draw...

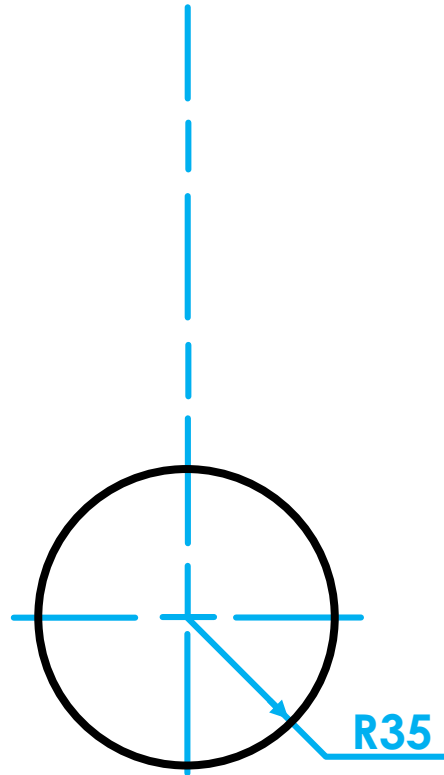
1. A front view
2. A right view
3. **A sectioned top view**



Application on polygons



FRONT VIEW



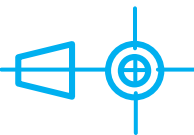
Given:

A cylinder with a radius of R 35.

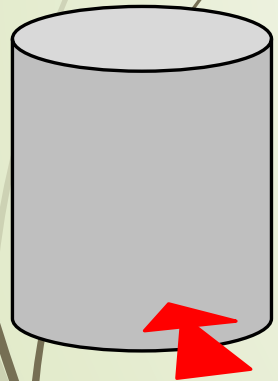
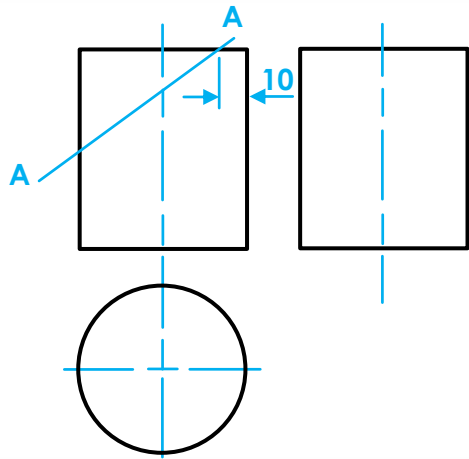
Question:

In F.A.O.P. draw...

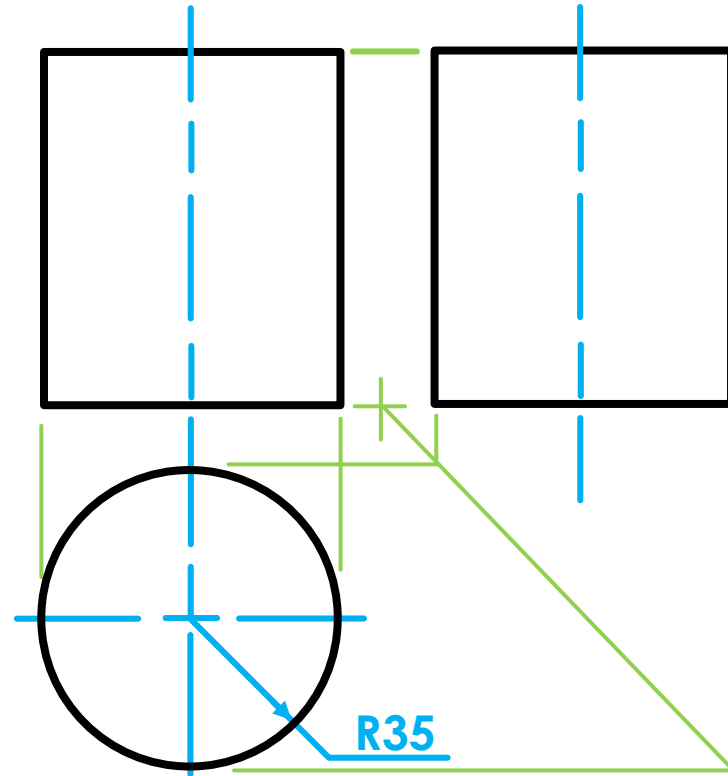
1. A front view
2. A left view
3. A sectioned **top view**



Application on polygons



FRONT VIEW



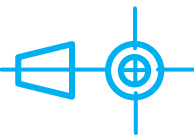
Given:

A cylinder with a radius of R 35.

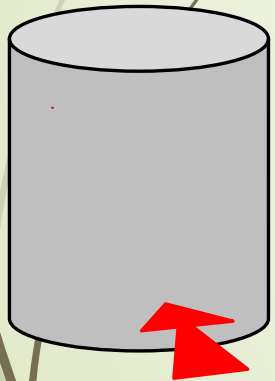
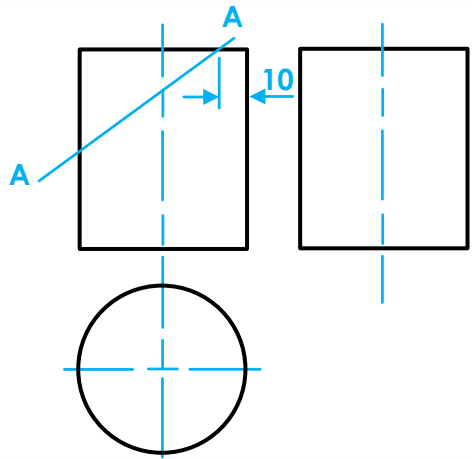
Question:

In F.A.O.P. draw...

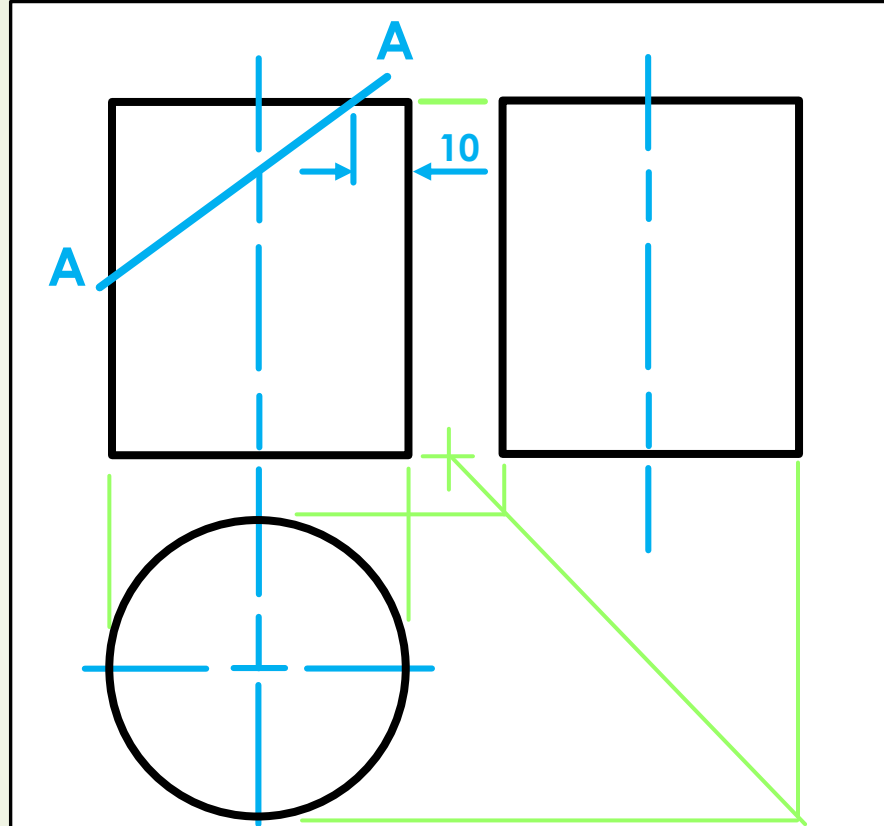
1. **A front view**
2. **A left view**
3. A sectioned top view



Application on polygons



FRONT VIEW



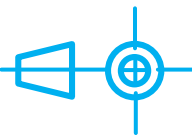
Given:

A cylinder with a radius of R 35.

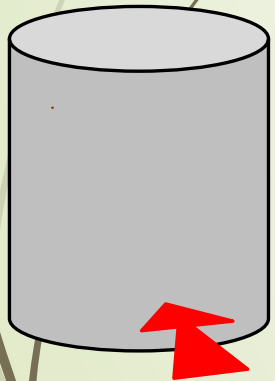
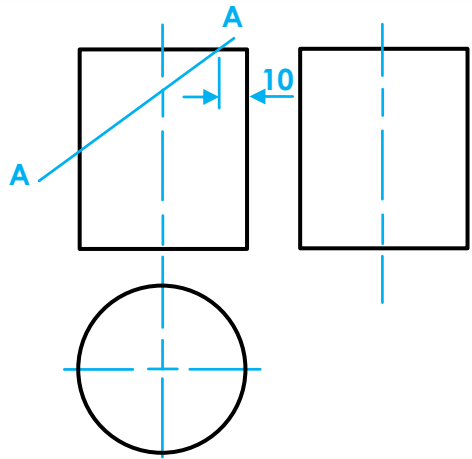
Question:

In F.A.O.P. draw...

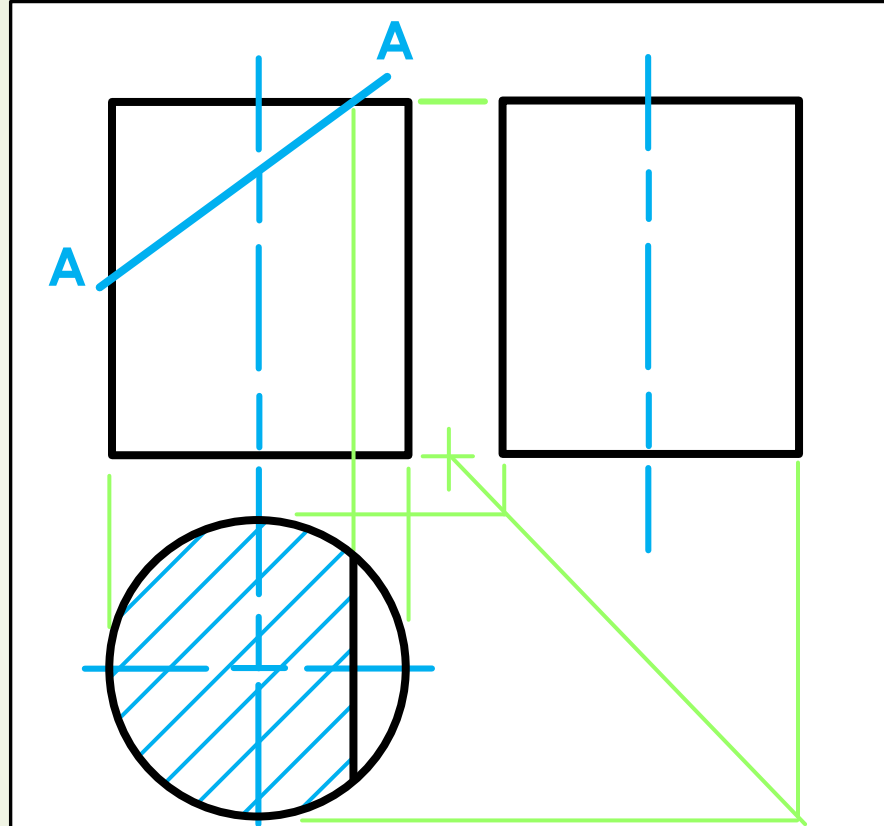
1. A front view
2. A left view
3. **A sectioned top view**



Application on polygons



FRONT VIEW



Given:

A cylinder with a radius of R 35.

Question:

In F.A.O.P. draw...

1. A front view
2. A left view
3. **A sectioned top view**

