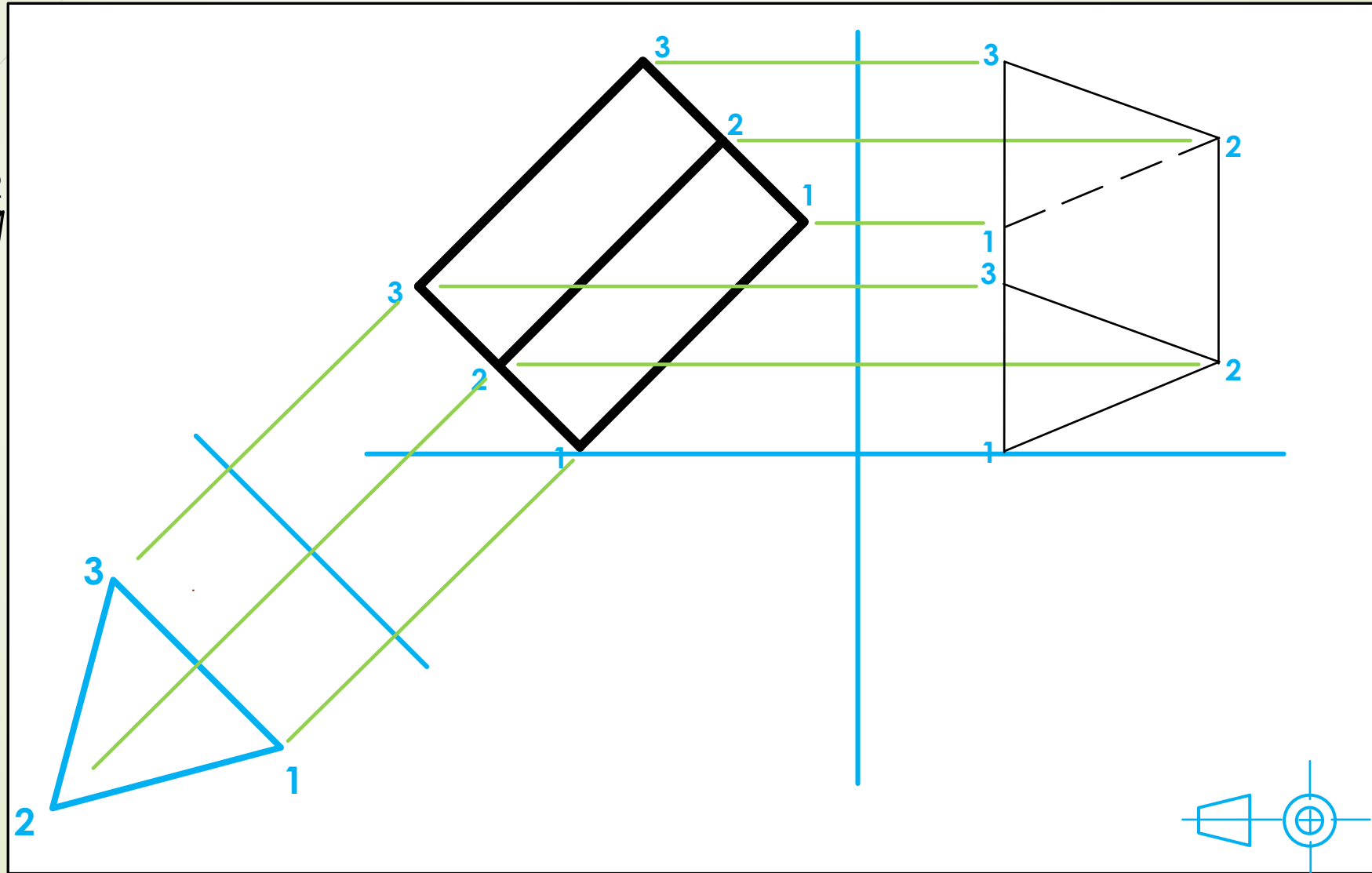
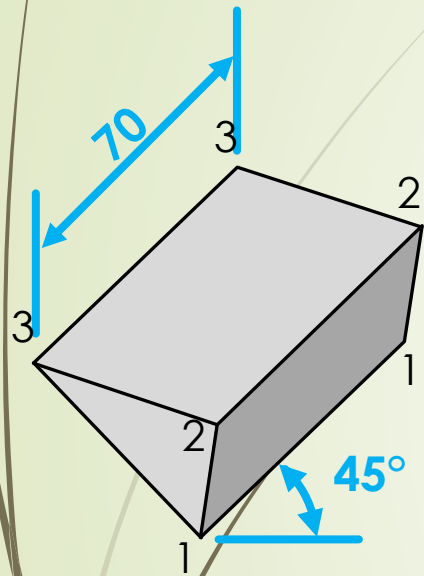


Application on polygons True Shape (Vertical, Horizontal Sectioning

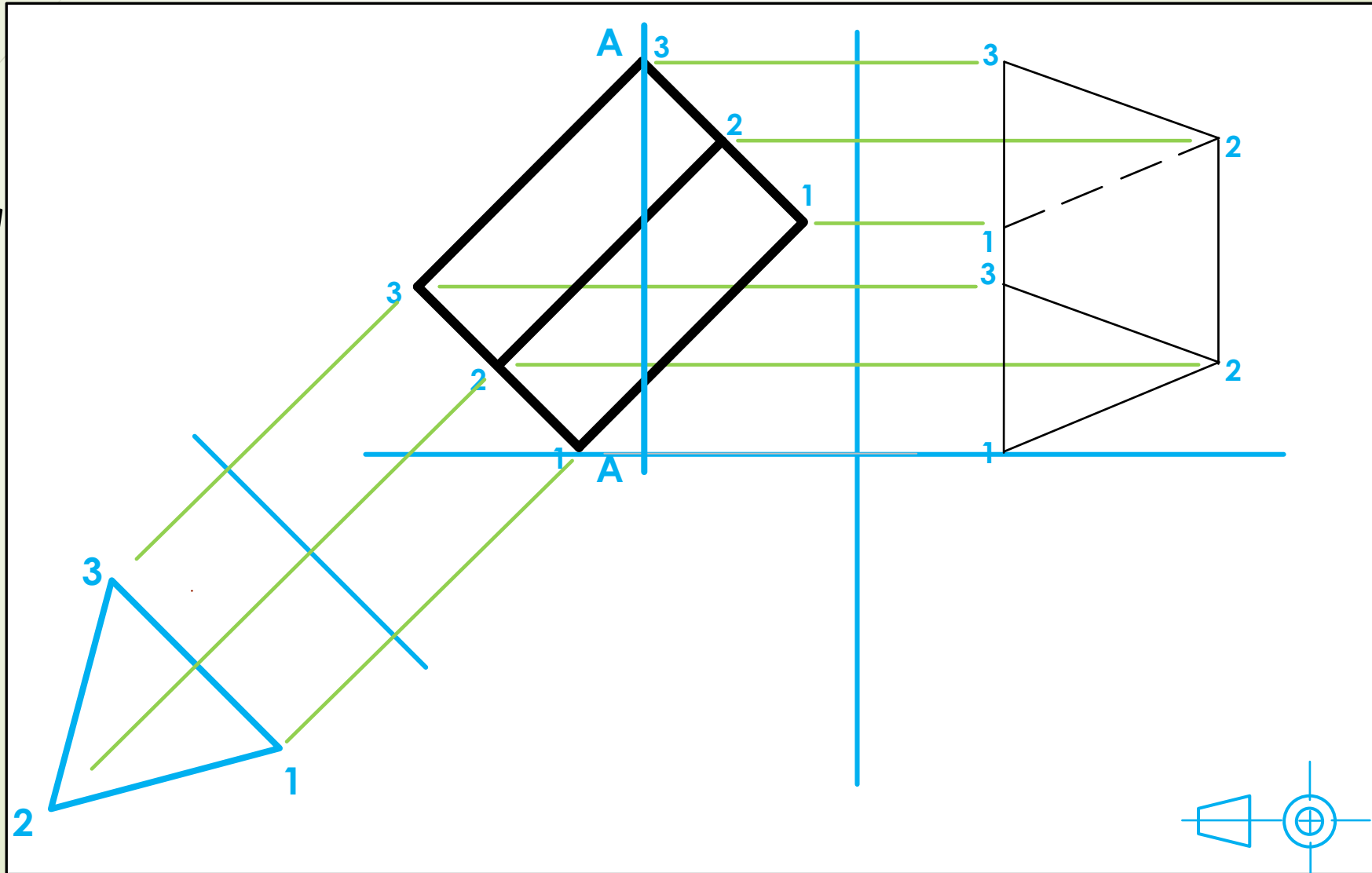
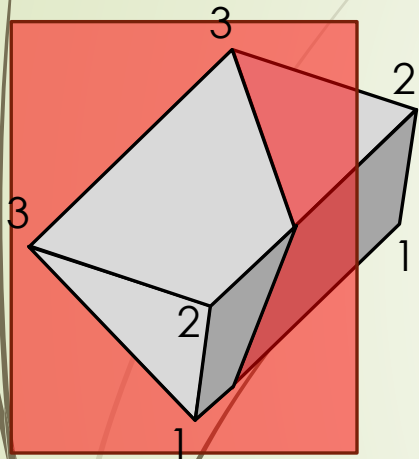
Grade 10, 11 & 12

Developed by: PC Viljoen
Senior Educational Specialist for
Engineering Graphics and Design
Free State Province

Application on pyramids, prisms, cones and cylinders

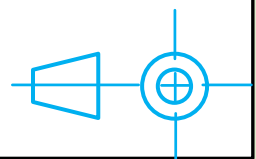
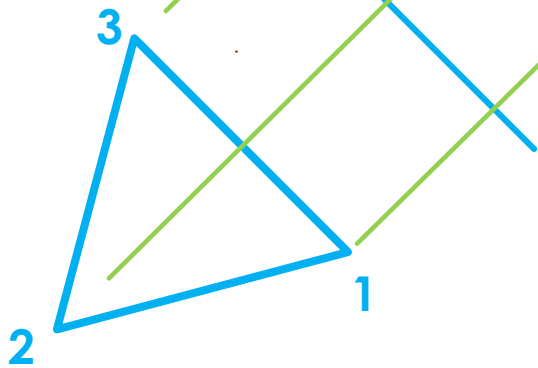
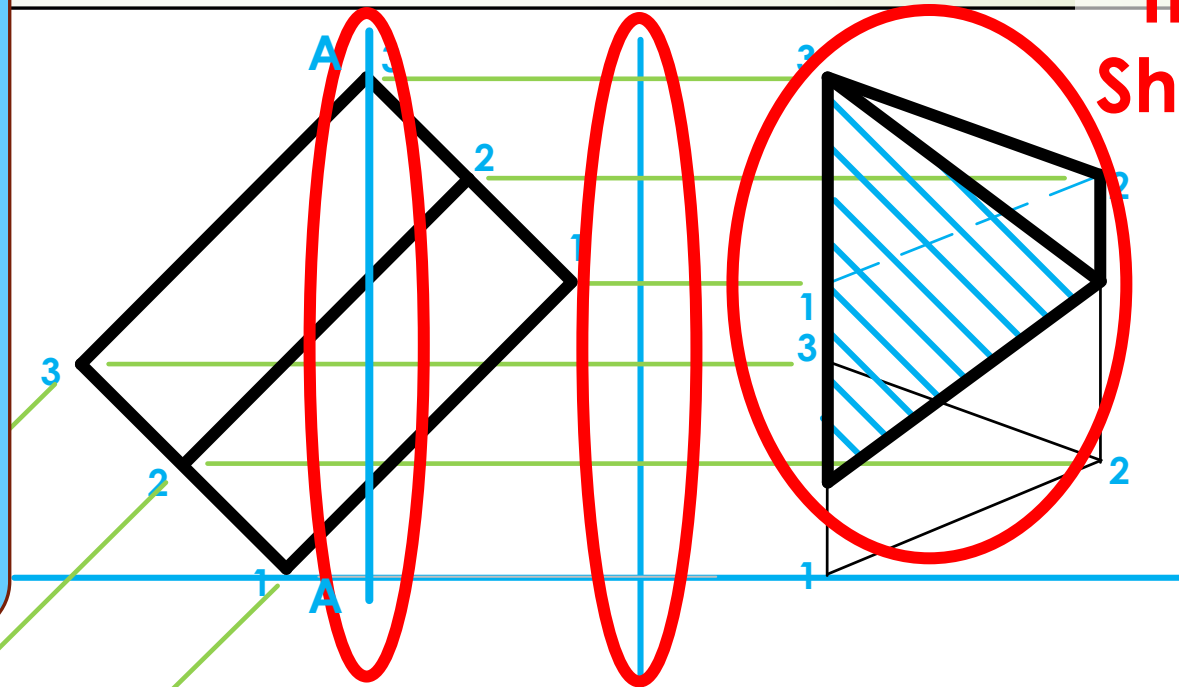


Application on pyramids, prisms, cones and cylinders

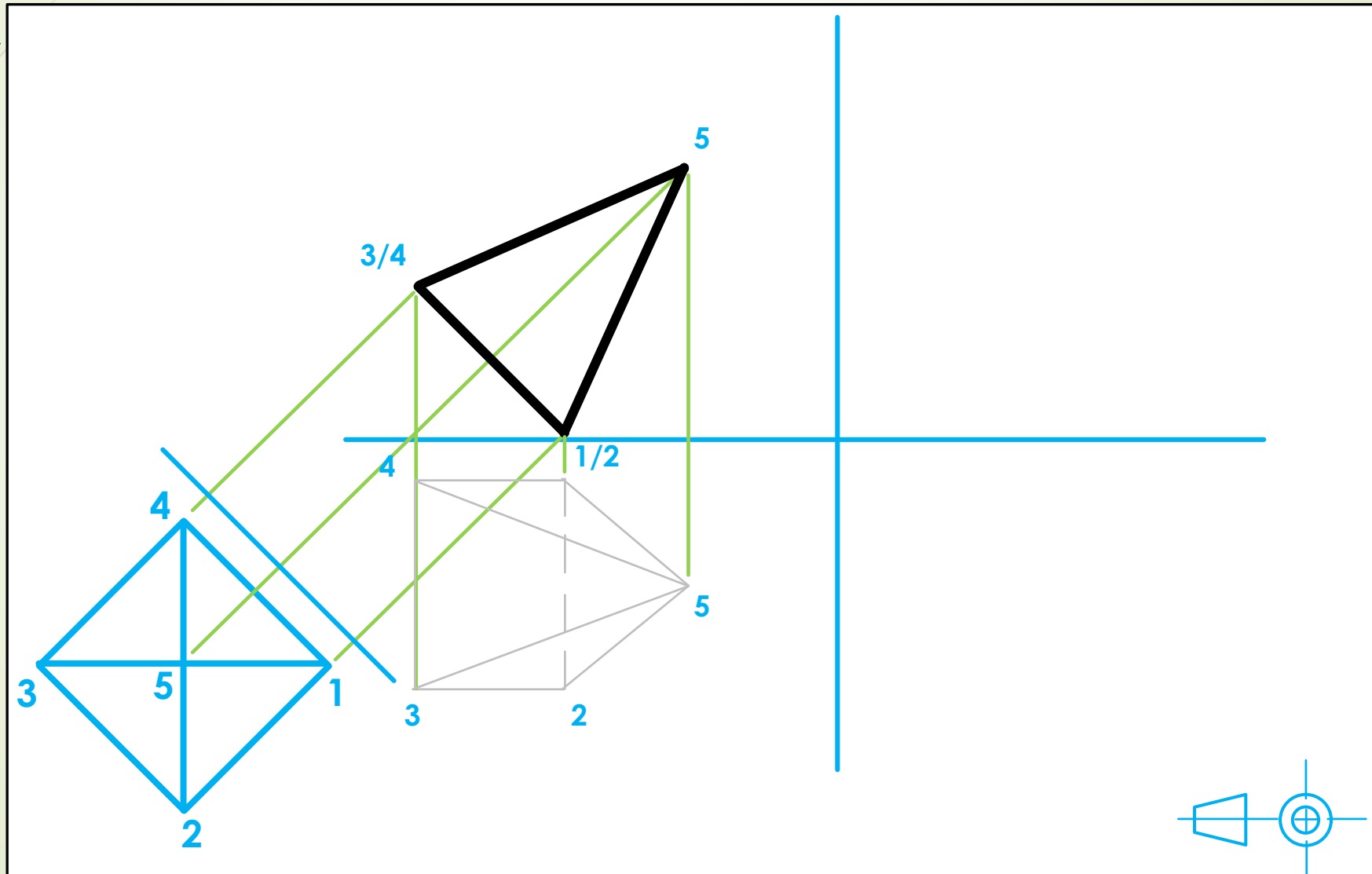
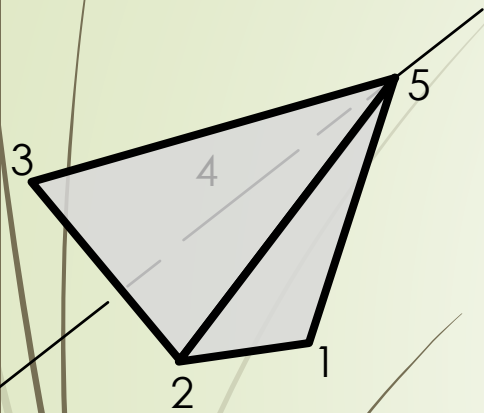


Section on pyramids, prisms, cones and cylinders

If the cutting plane is parallel with the XY, the sectioned area will be the true shape

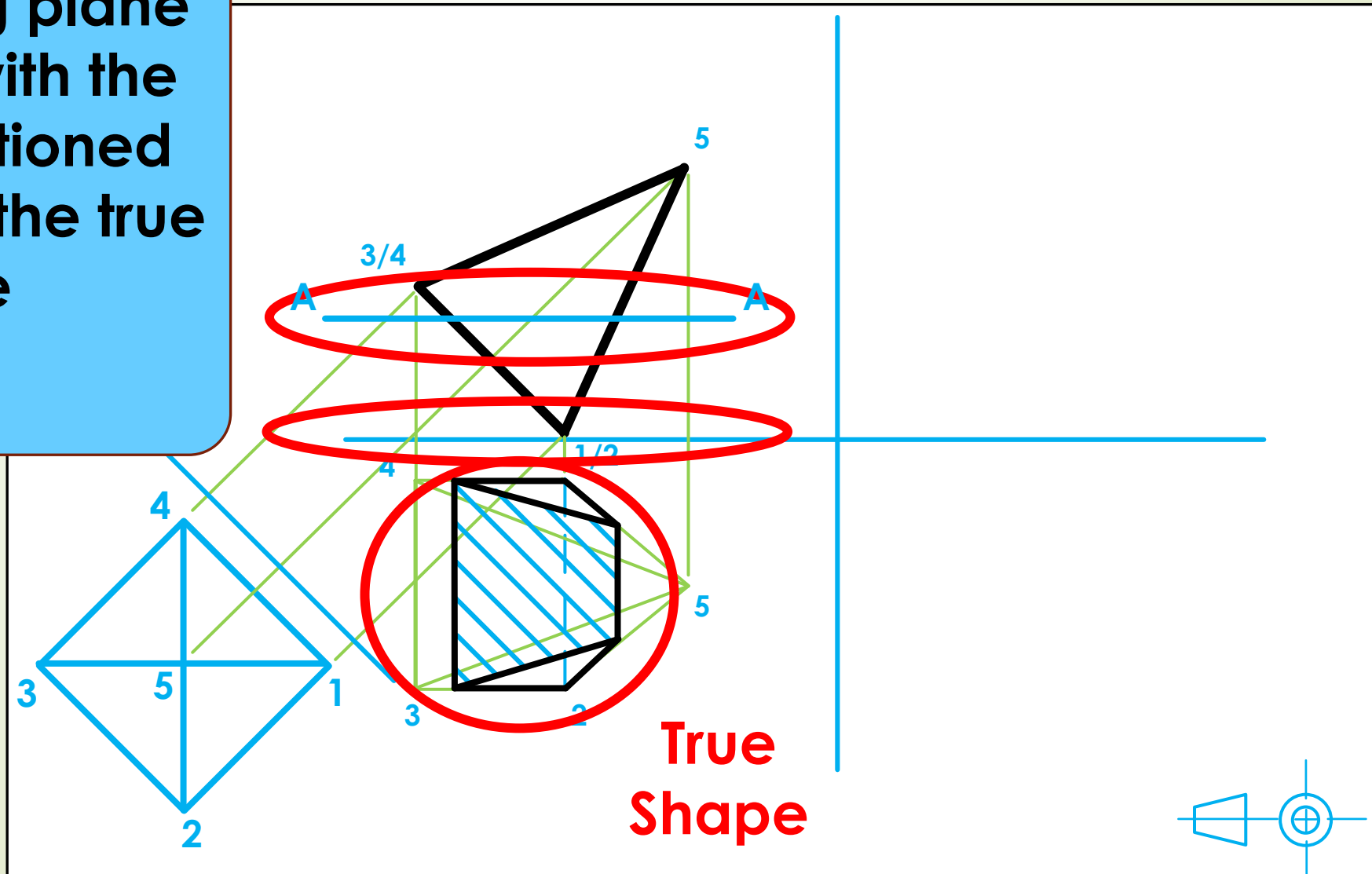


Application on pyramids, prisms, cones and cylinders

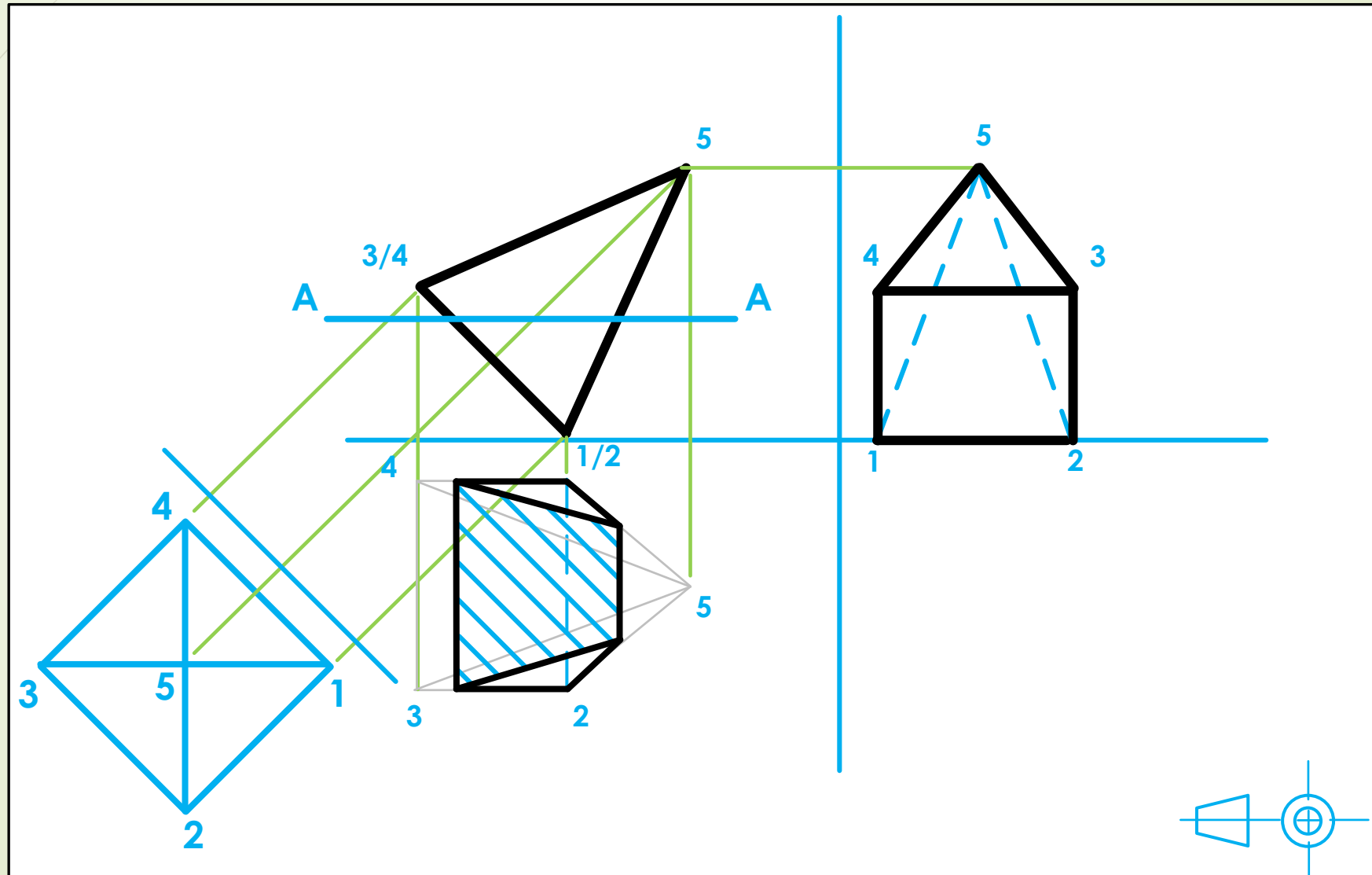
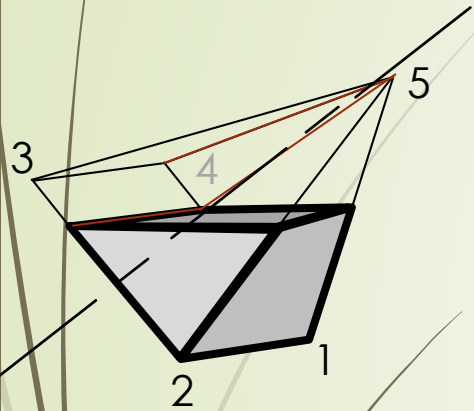


Section on pyramids, prisms, cones and cylinders

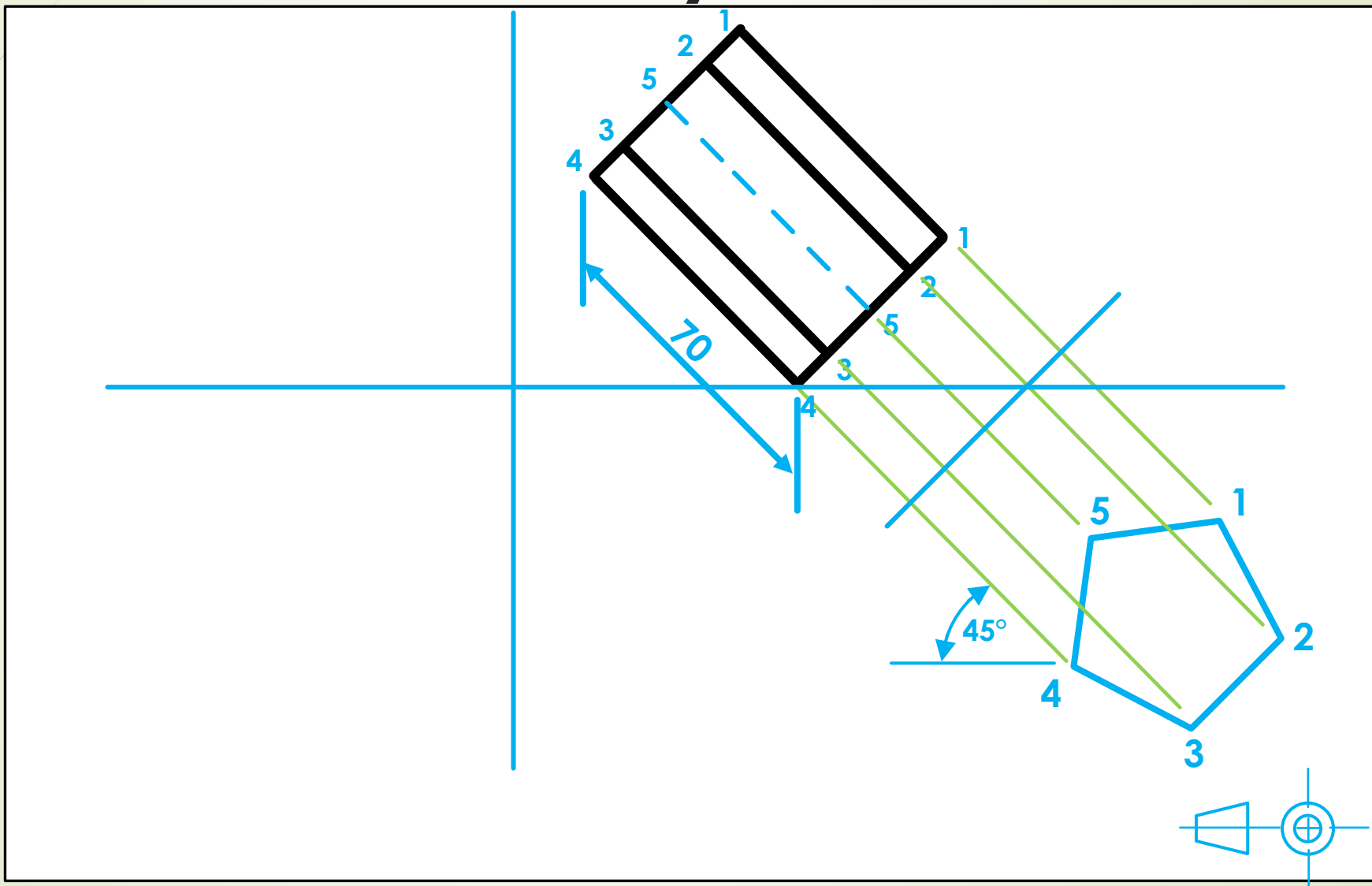
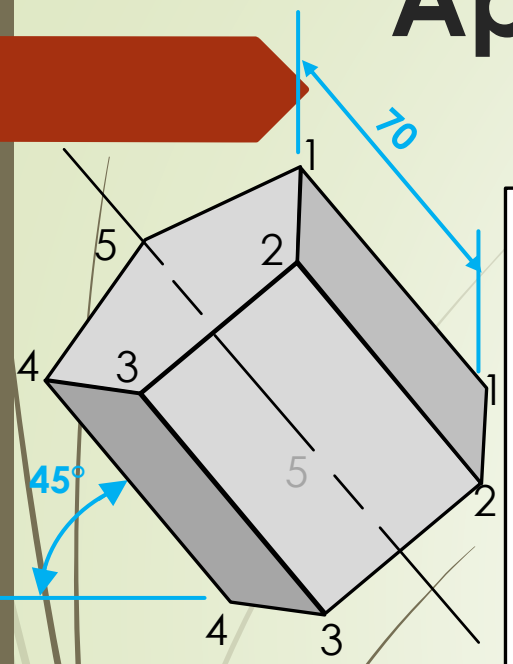
If the cutting plane is parallel with the XY, the sectioned area will be the true shape



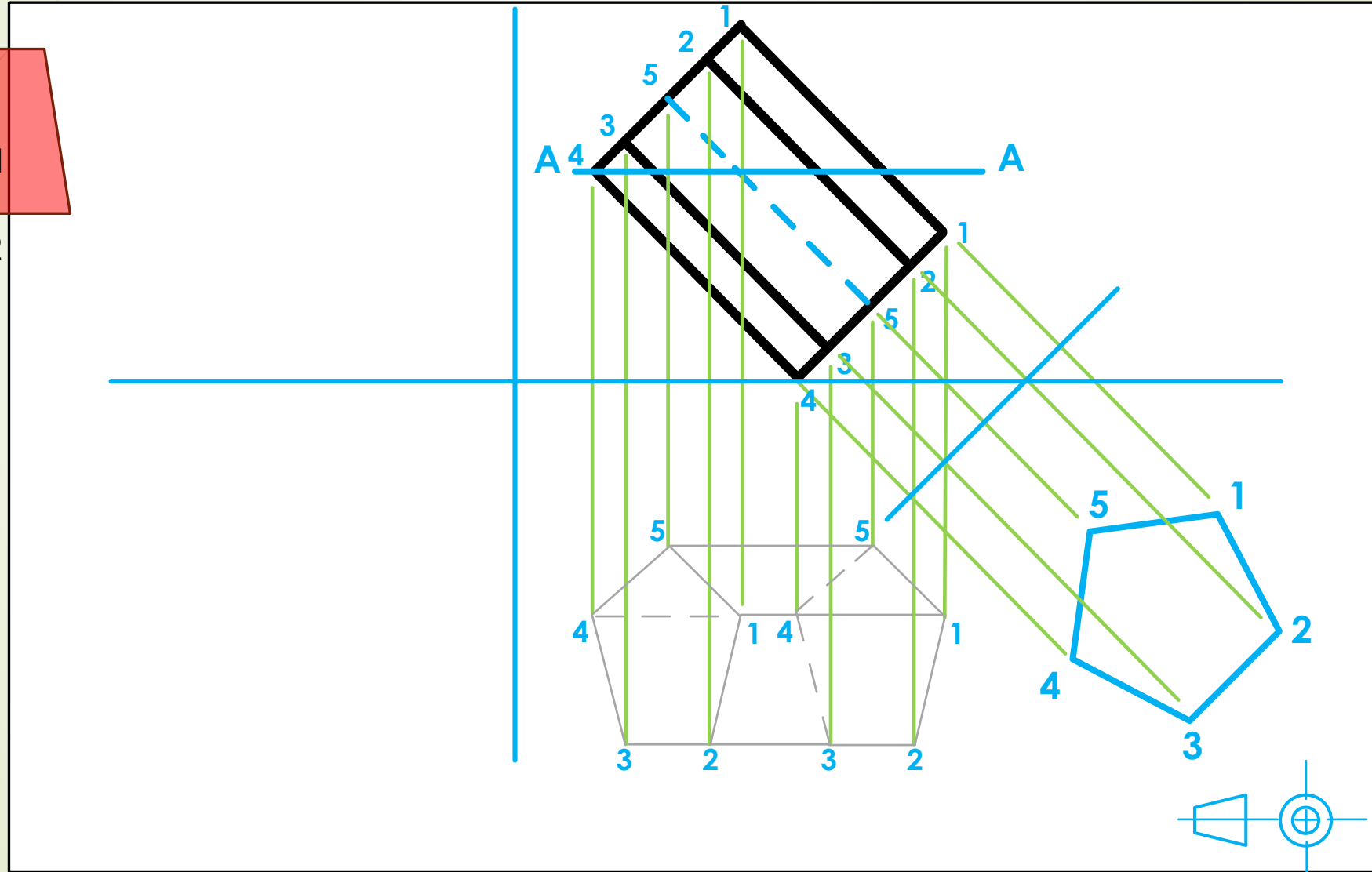
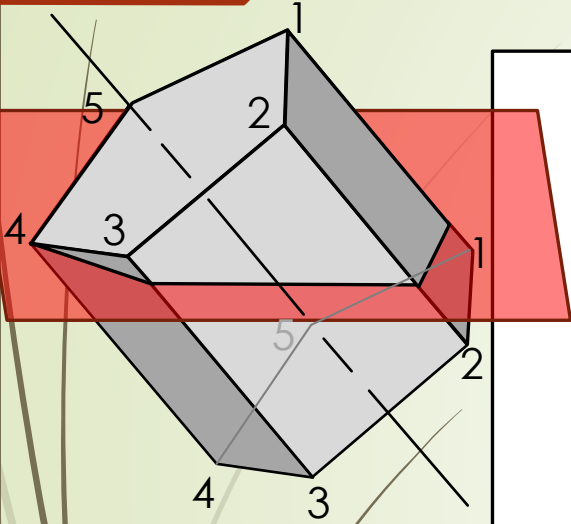
Application on pyramids, prisms, cones and cylinders



Application on pyramids, prisms, cones and cylinders

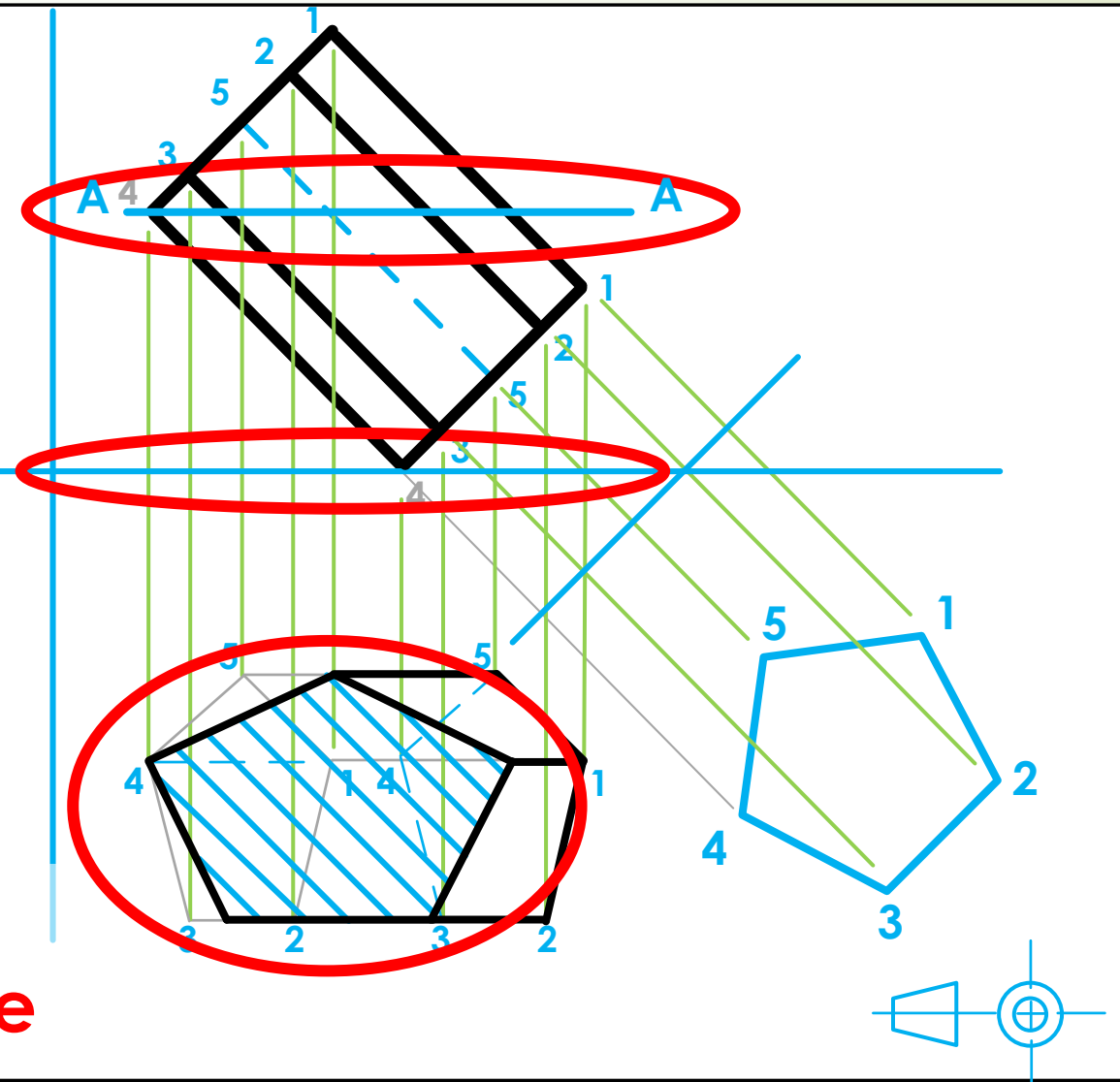


Application on pyramids, prisms, cones and cylinders



Section on pyramids, prisms, cones and cylinders

If the cutting plane is parallel with the XY, the sectioned area will be the true shape



**True
Shape**

Application on pyramids, prisms, cones and cylinders

