



Application on polygons

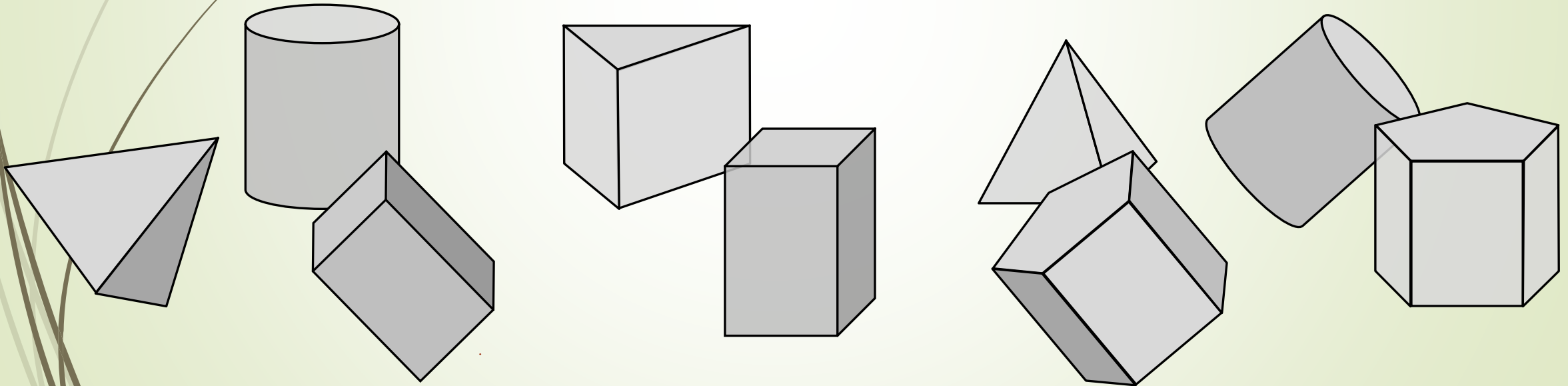
A combination of pyramids, cones and cylinders

Grade 12

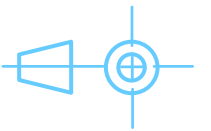
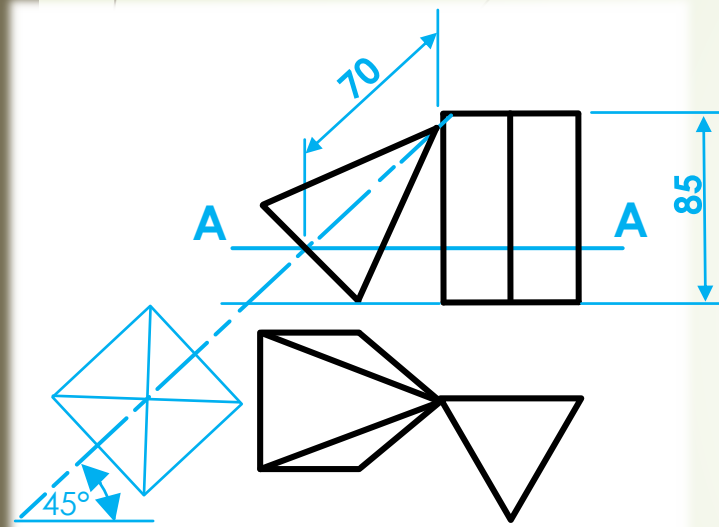
Developed by: PC Viljoen
Senior Educational Specialist for
Engineering Graphics and Design
Free State Province

SOLID GEOMETRY

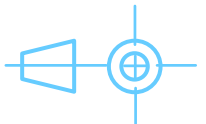
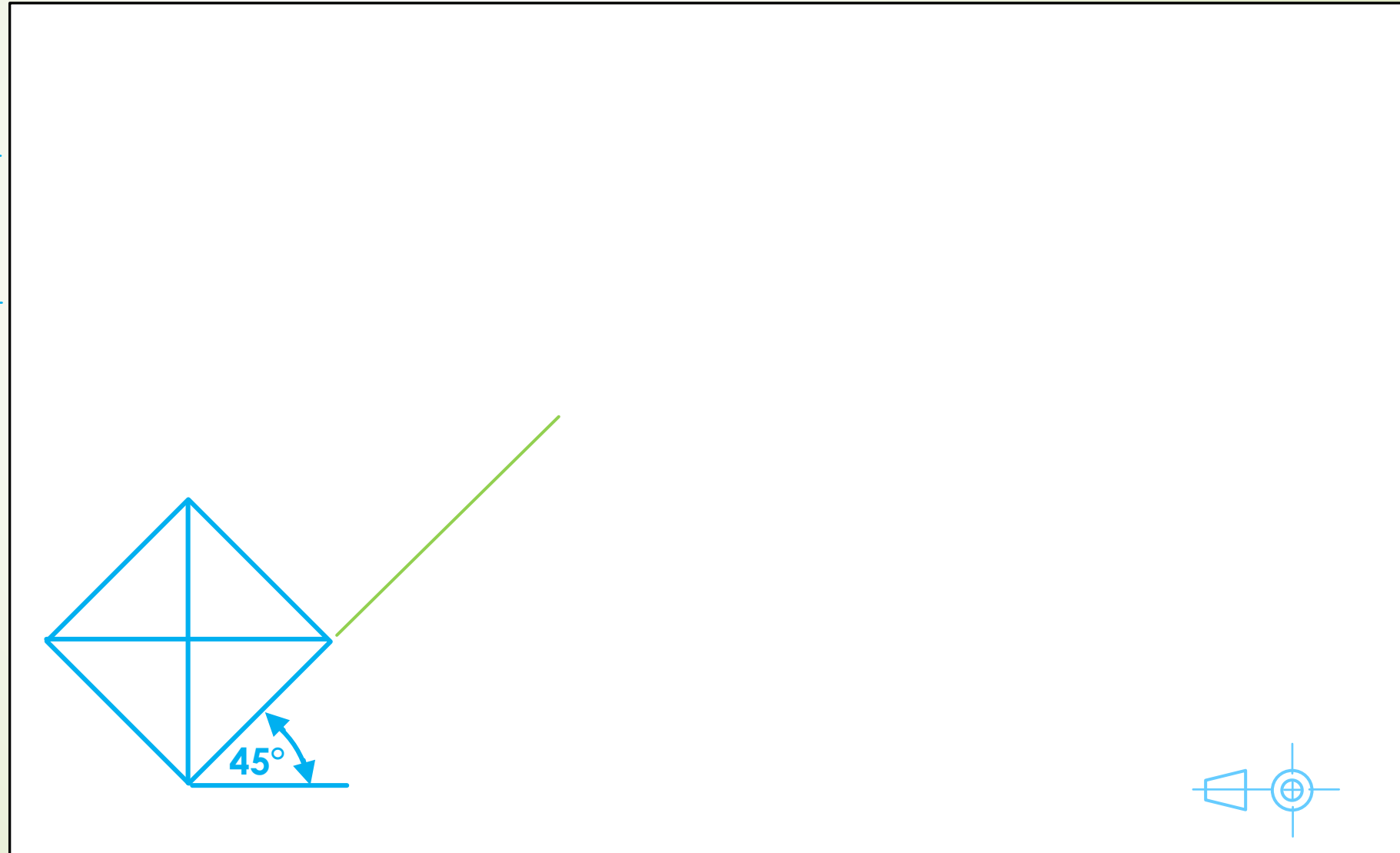
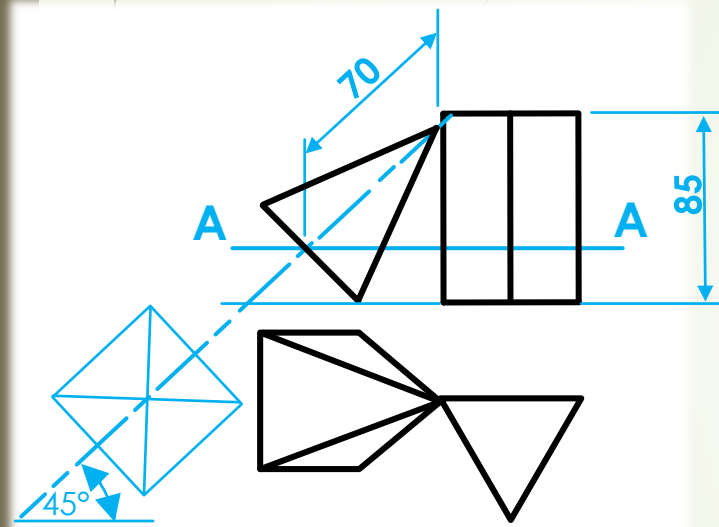
- ➔ Projecting right regular pyramids, prisms, cones and cylinders from polygons.



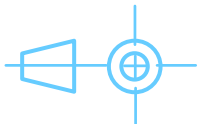
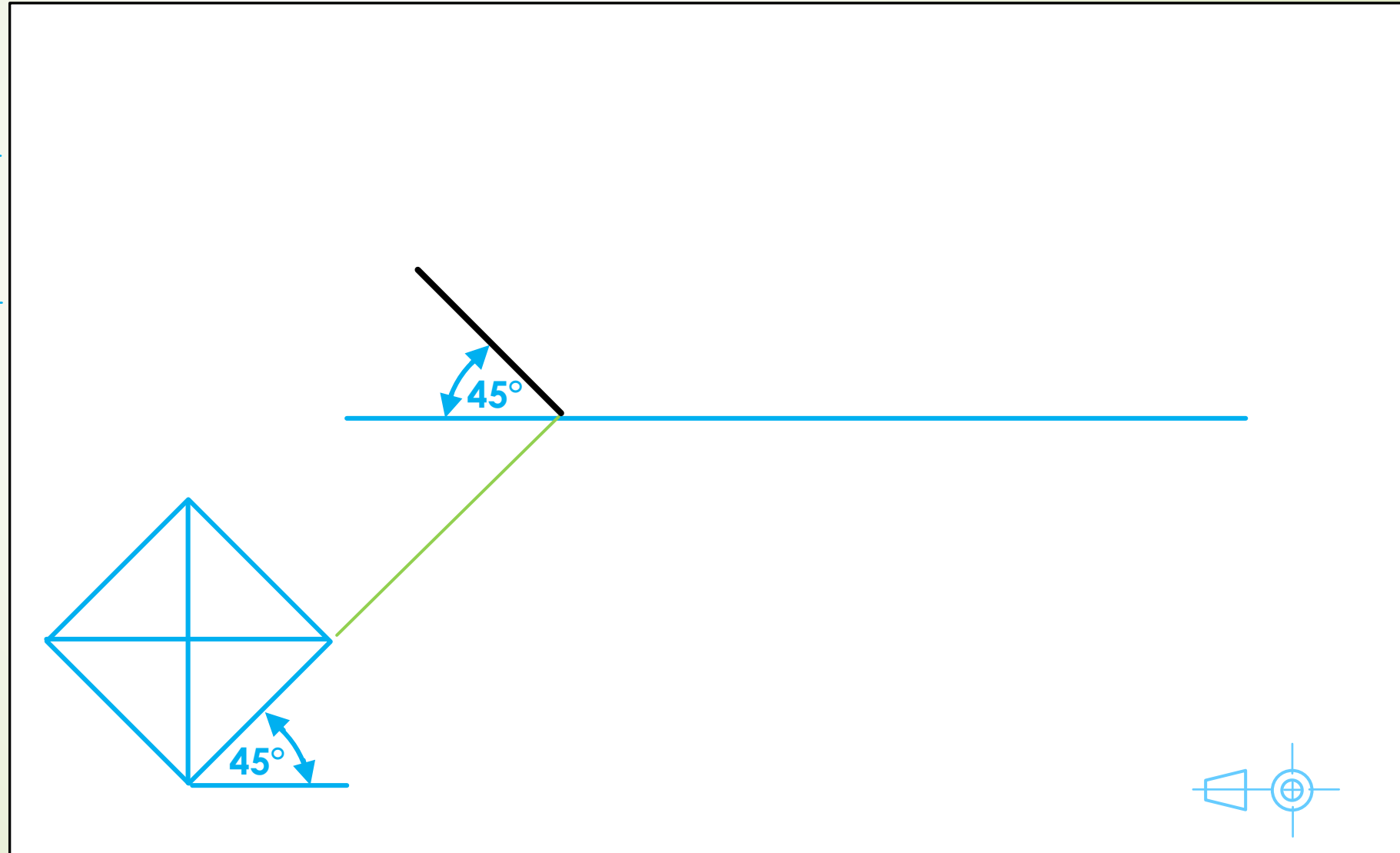
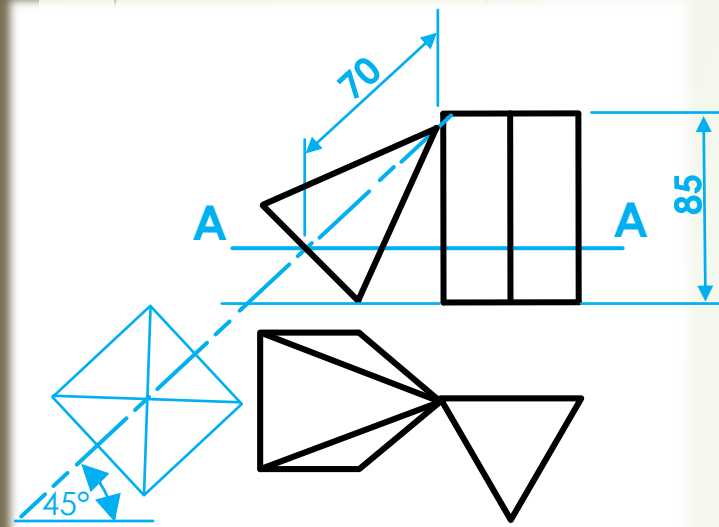
A combination of pyramids, prisms, cones and cylinders



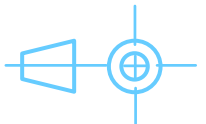
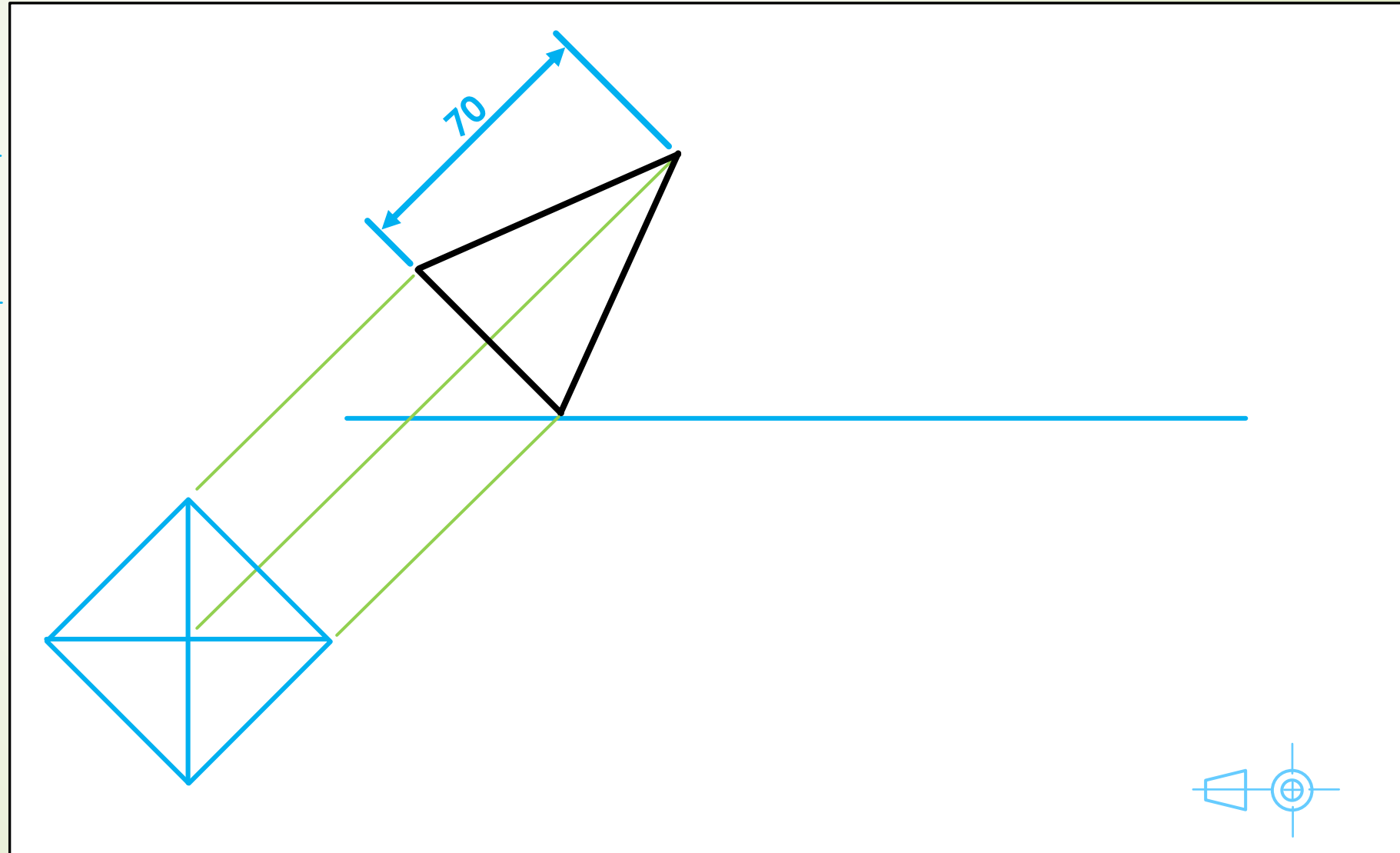
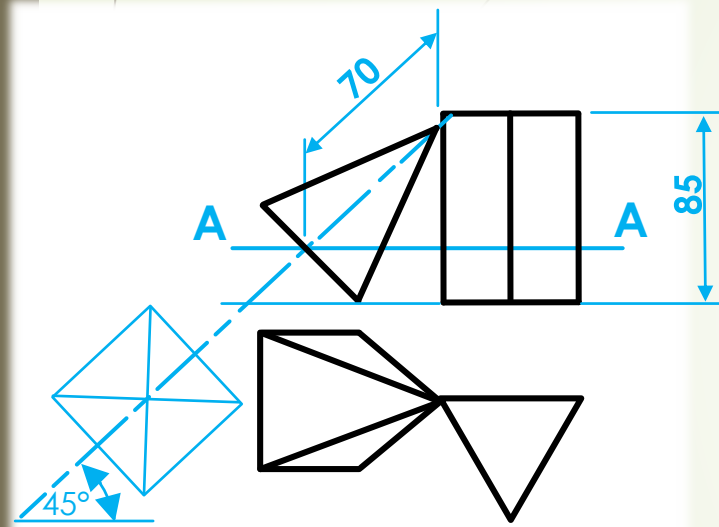
A combination of pyramids, prisms, cones and cylinders



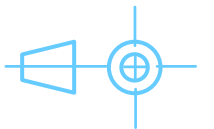
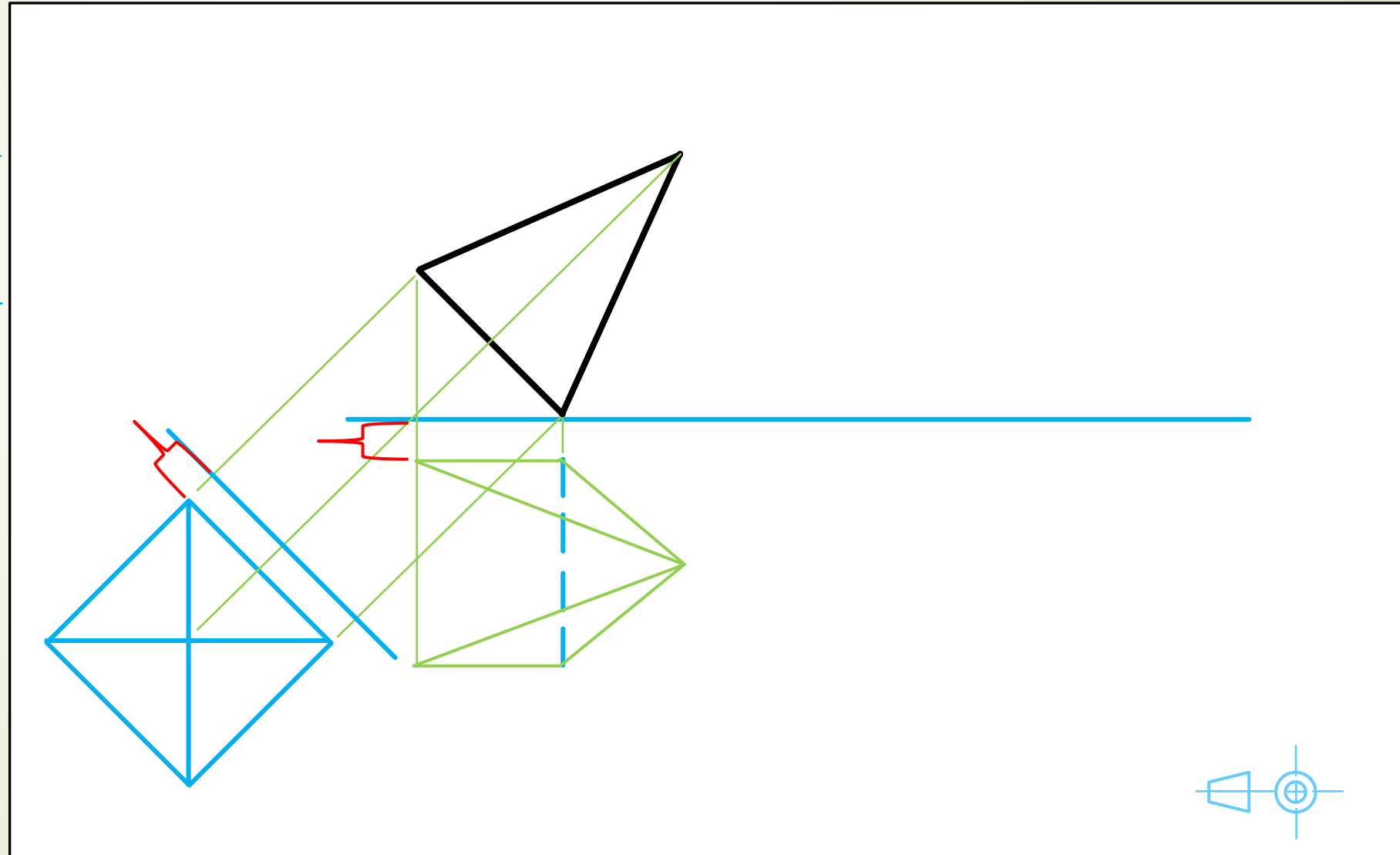
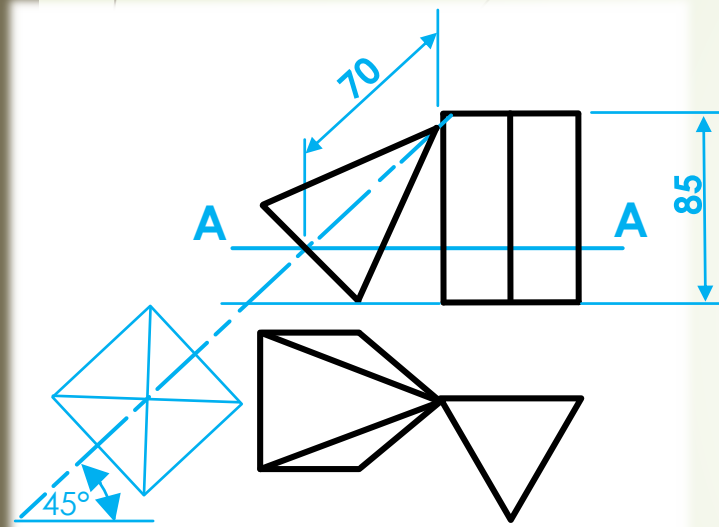
A combination of pyramids, prisms, cones and cylinders



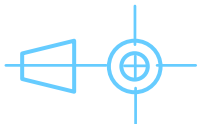
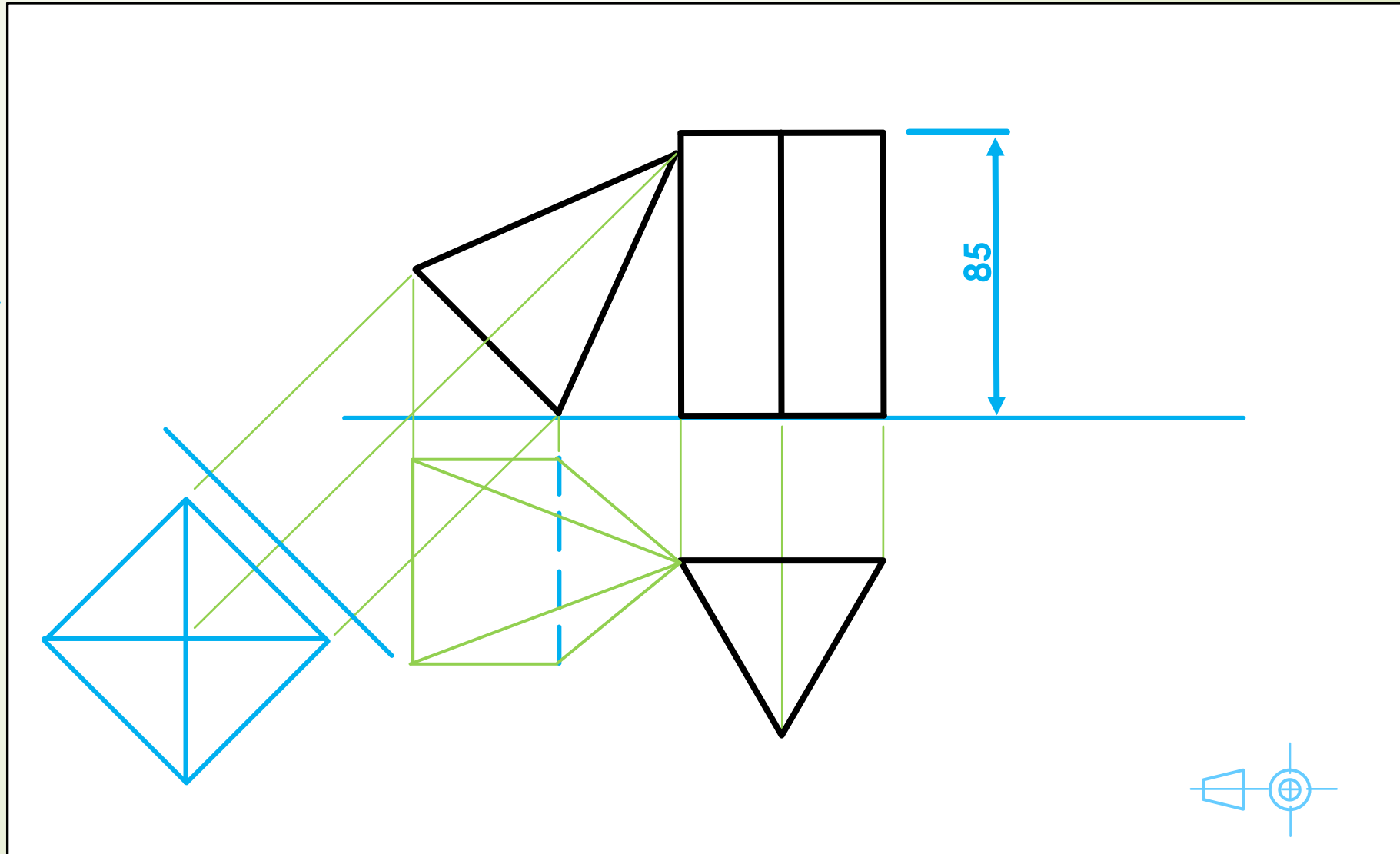
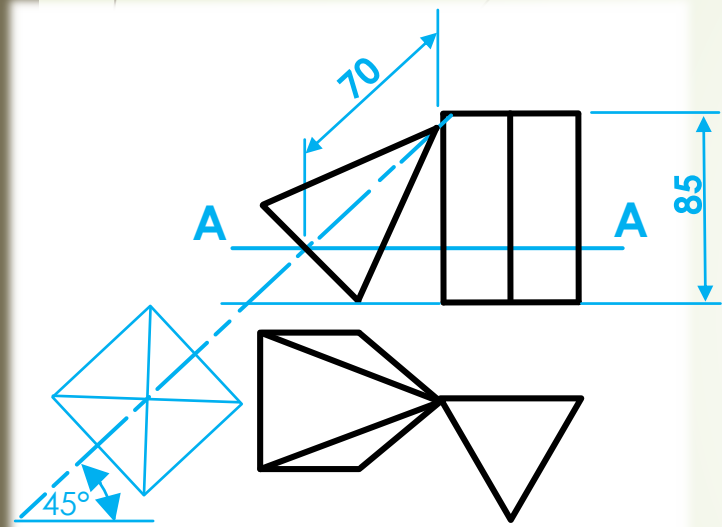
A combination of pyramids, prisms, cones and cylinders



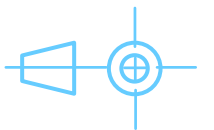
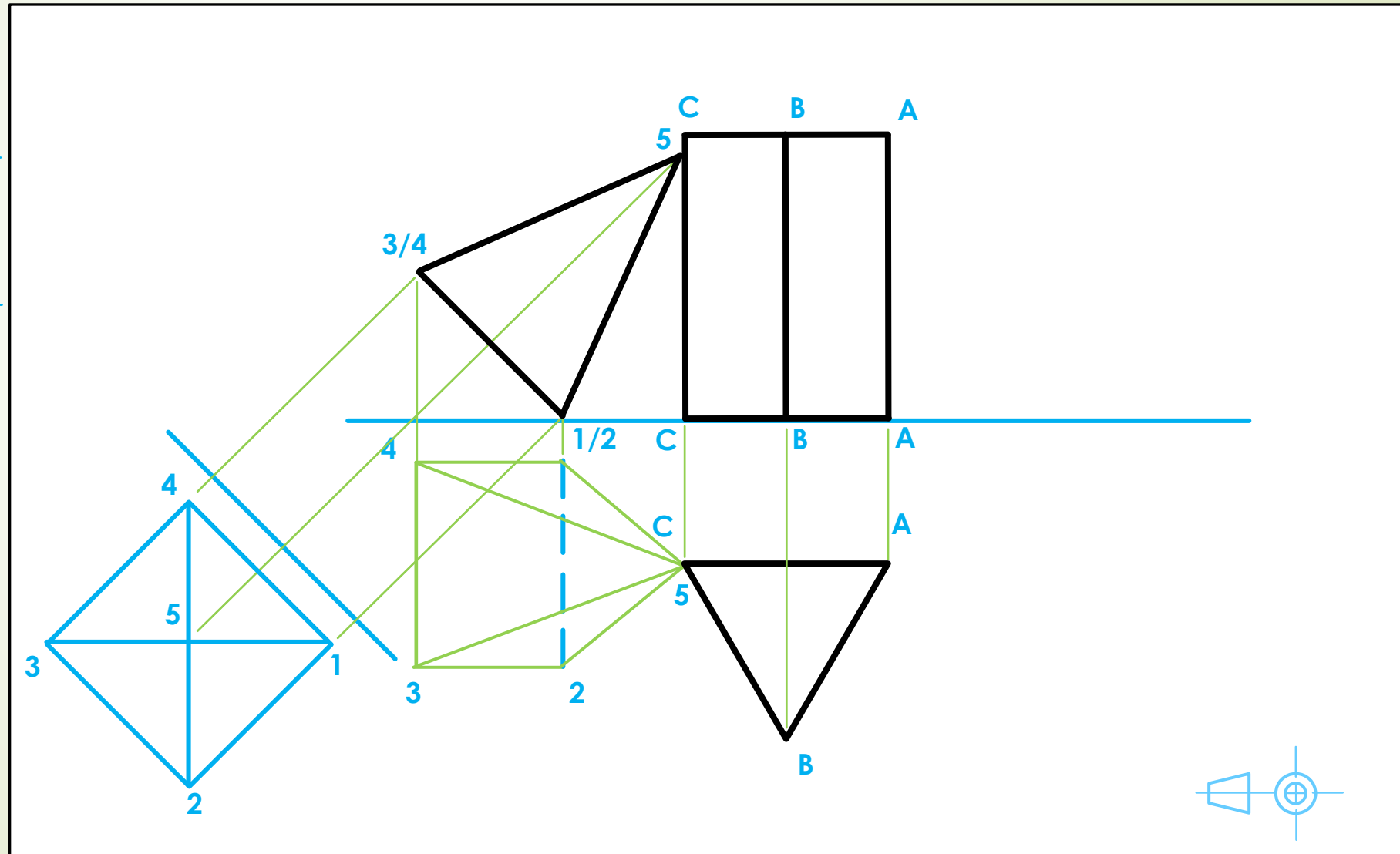
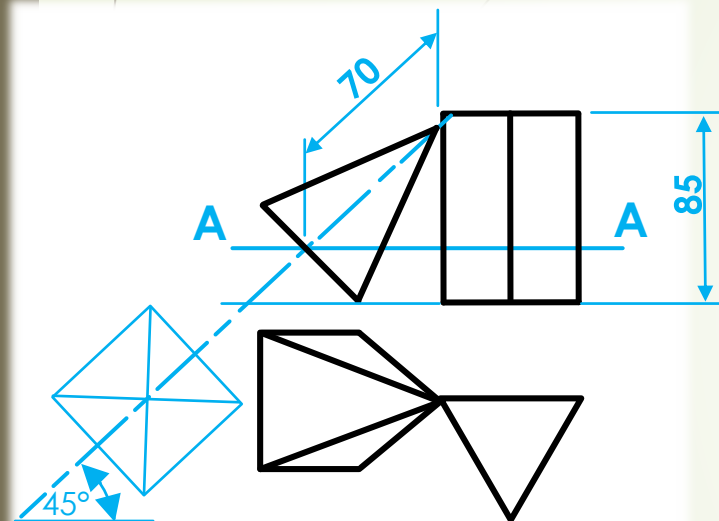
A combination of pyramids, prisms, cones and cylinders



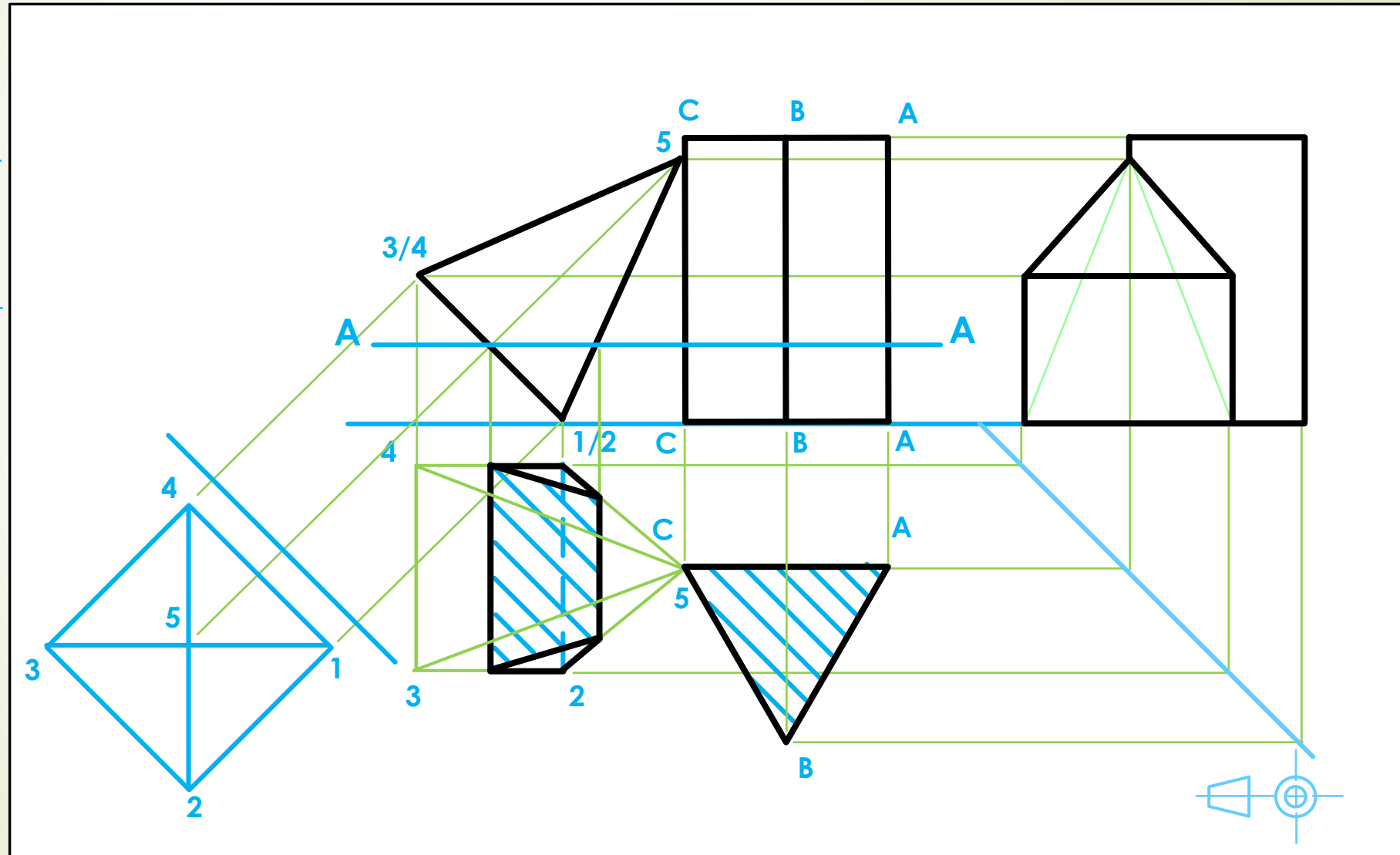
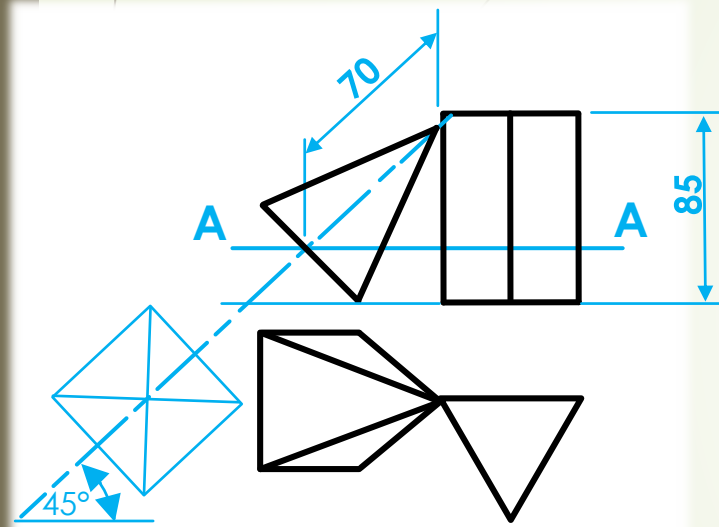
A combination of pyramids, prisms, cones and cylinders



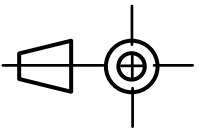
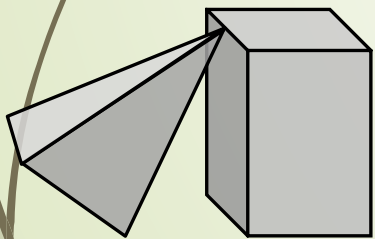
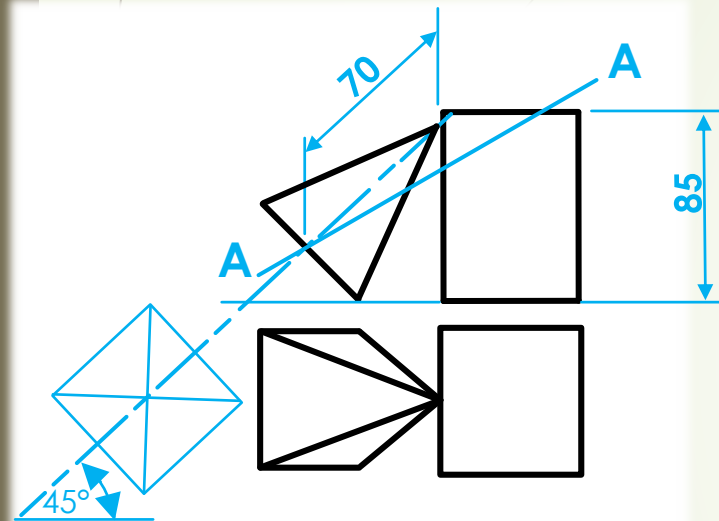
A combination of pyramids, prisms, cones and cylinders



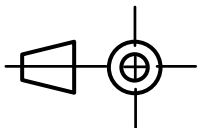
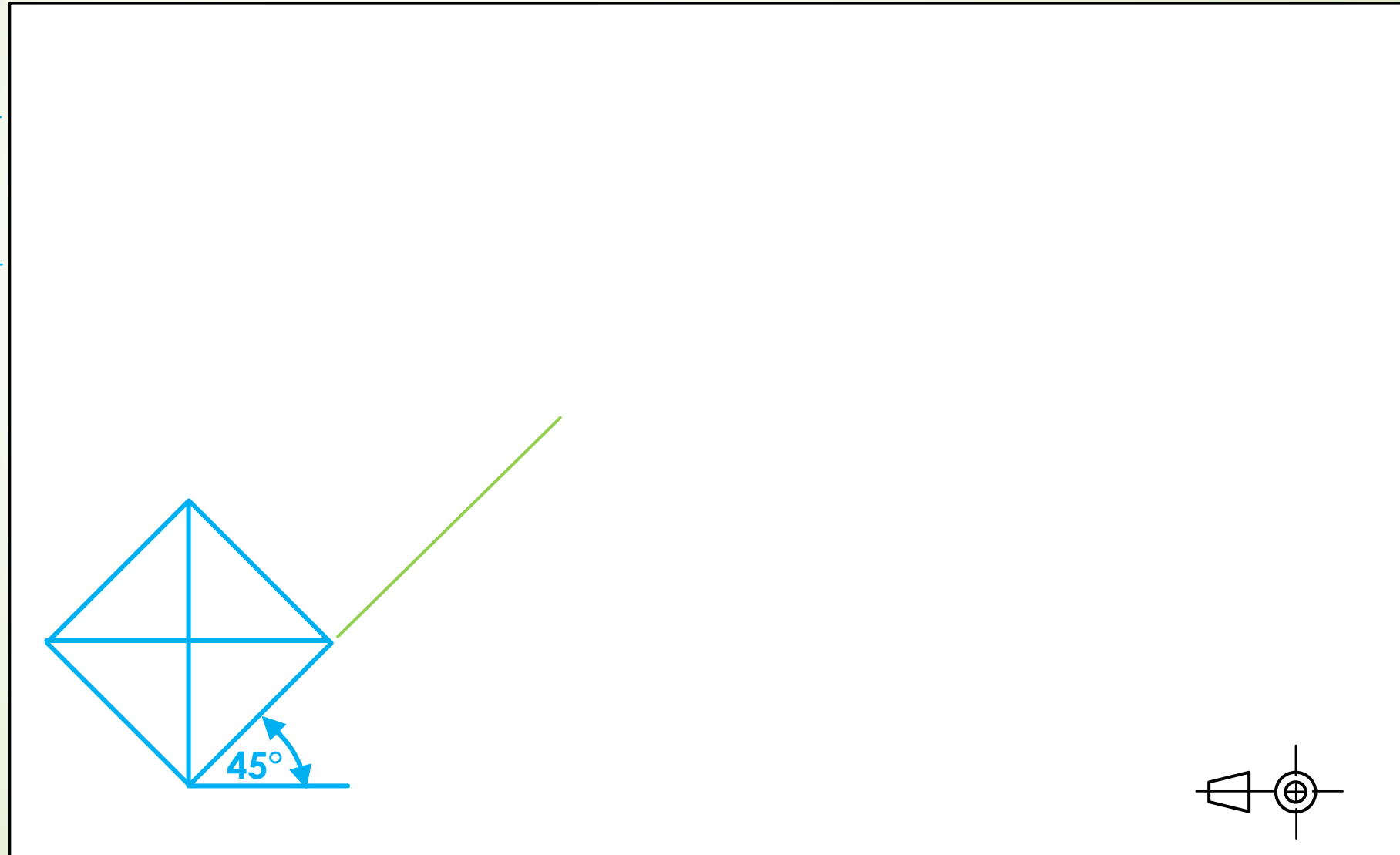
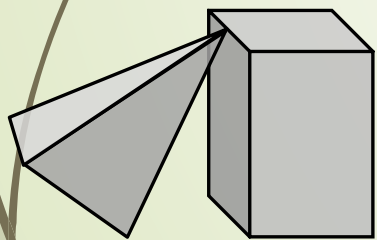
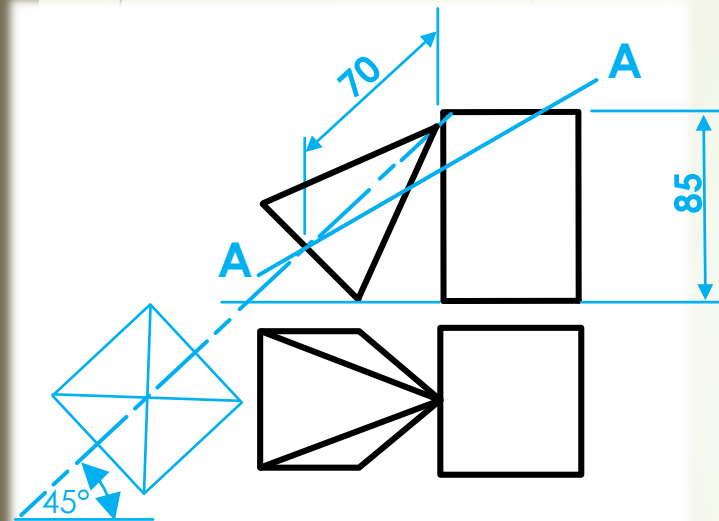
A combination of pyramids, prisms, cones and cylinders



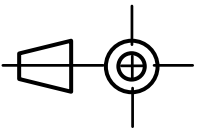
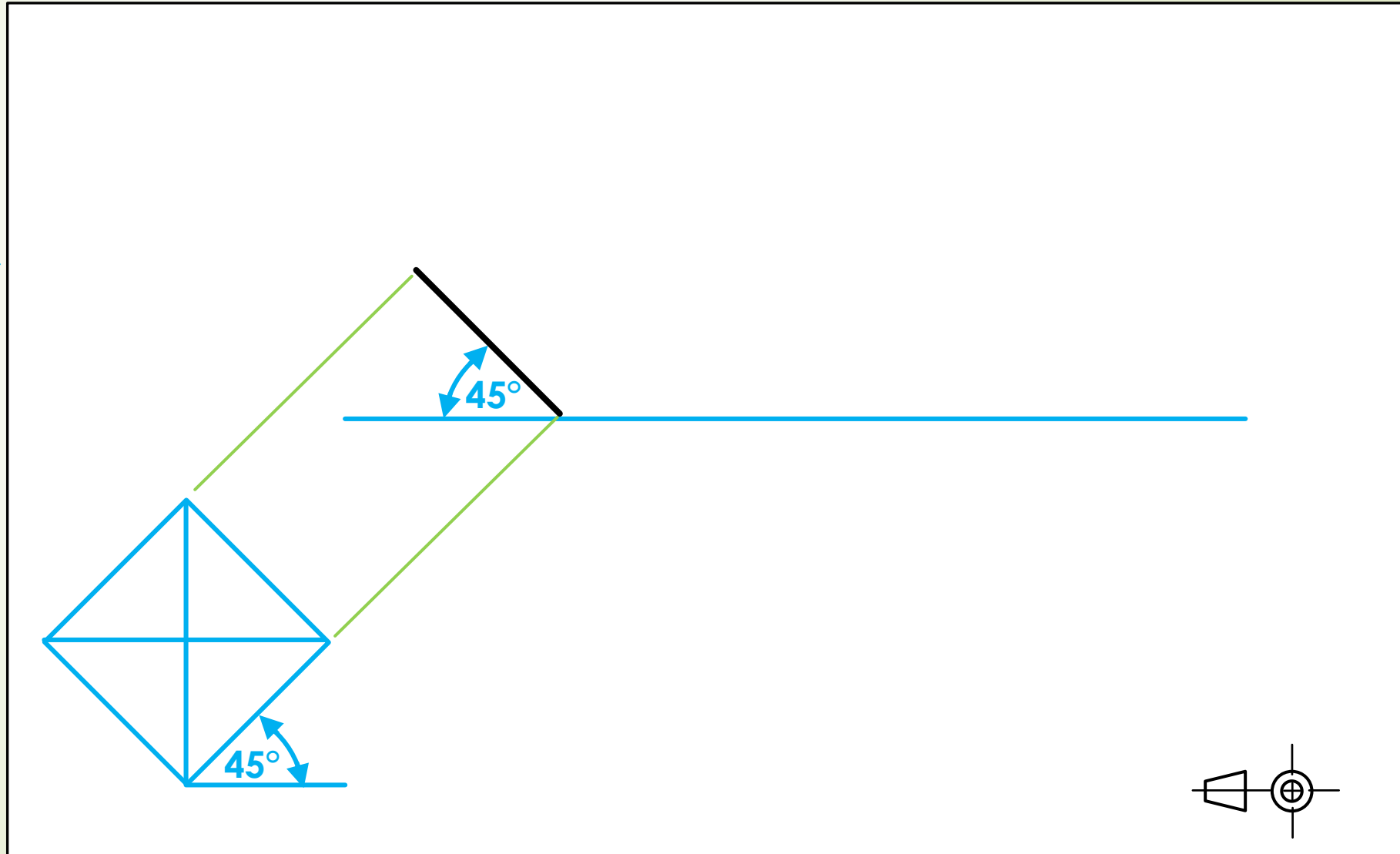
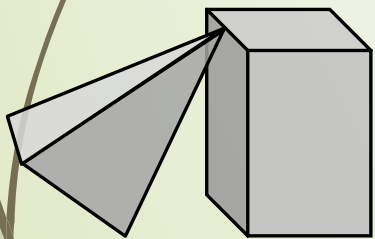
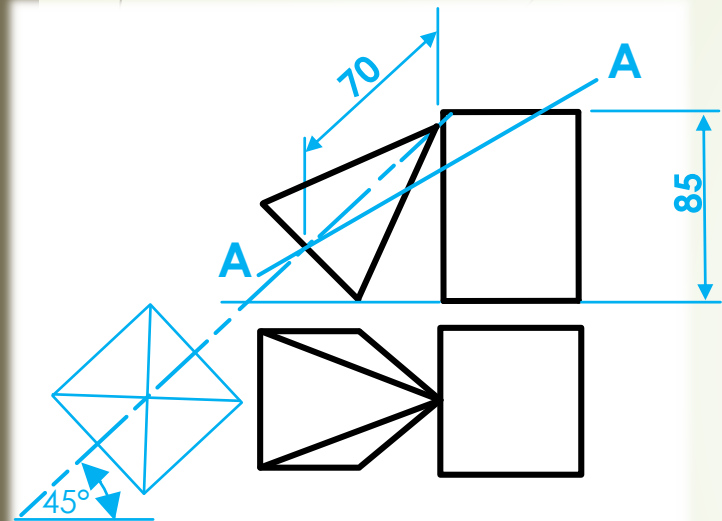
A combination of pyramids, prisms, cones and cylinders



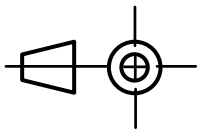
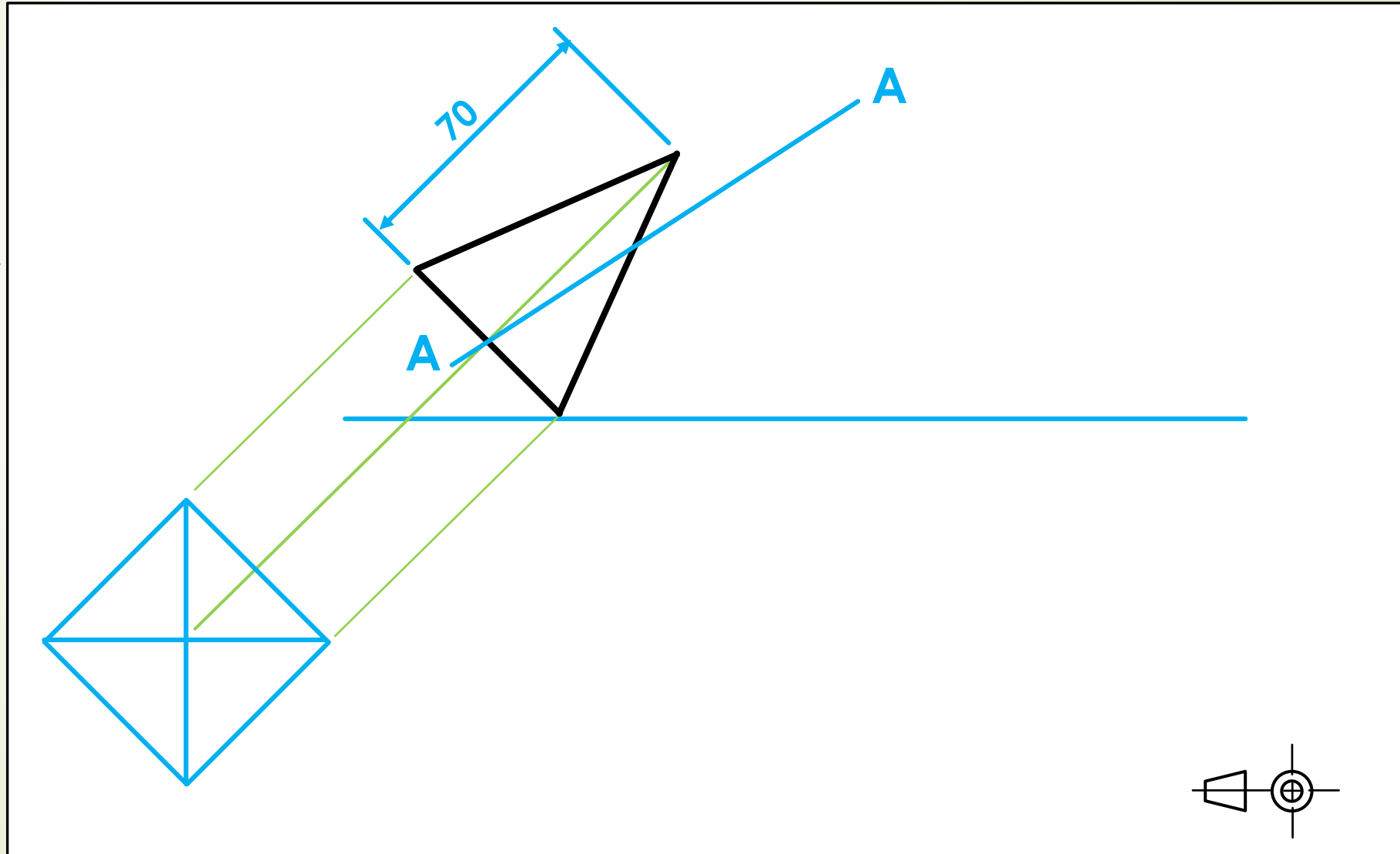
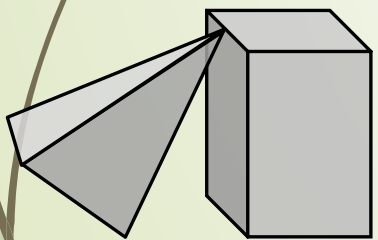
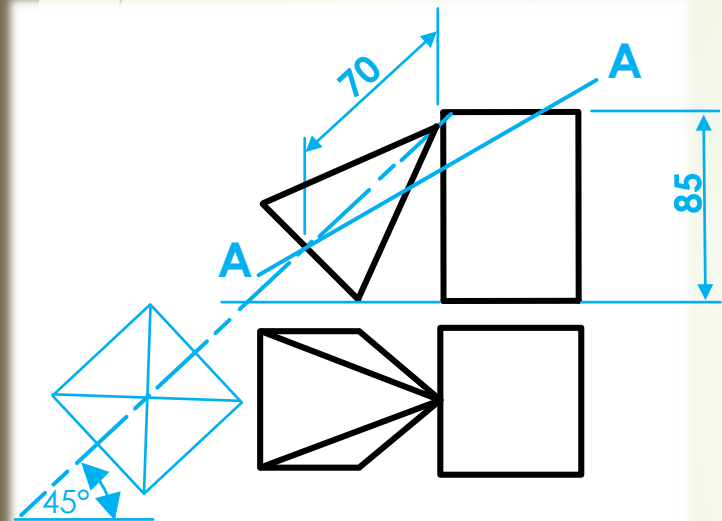
A combination of pyramids, prisms, cones and cylinders



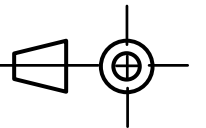
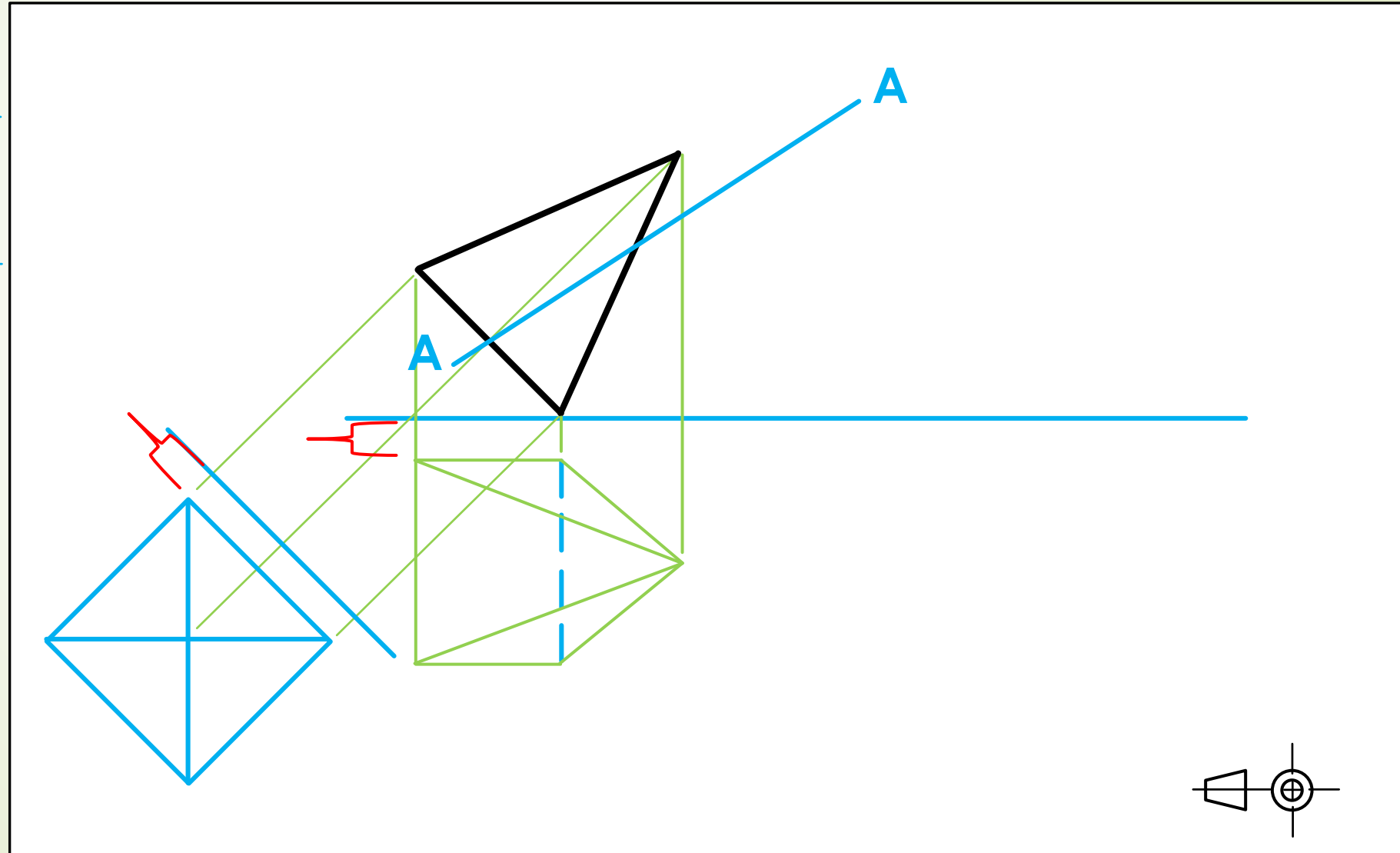
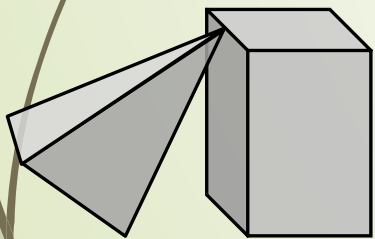
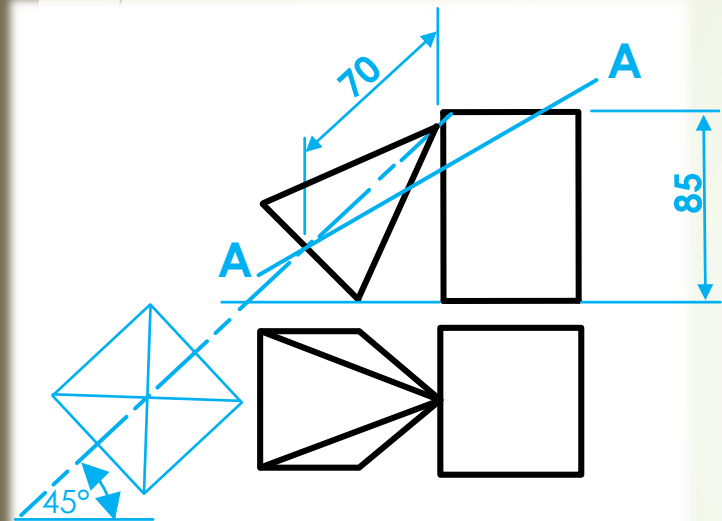
A combination of pyramids, prisms, cones and cylinders



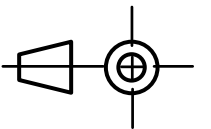
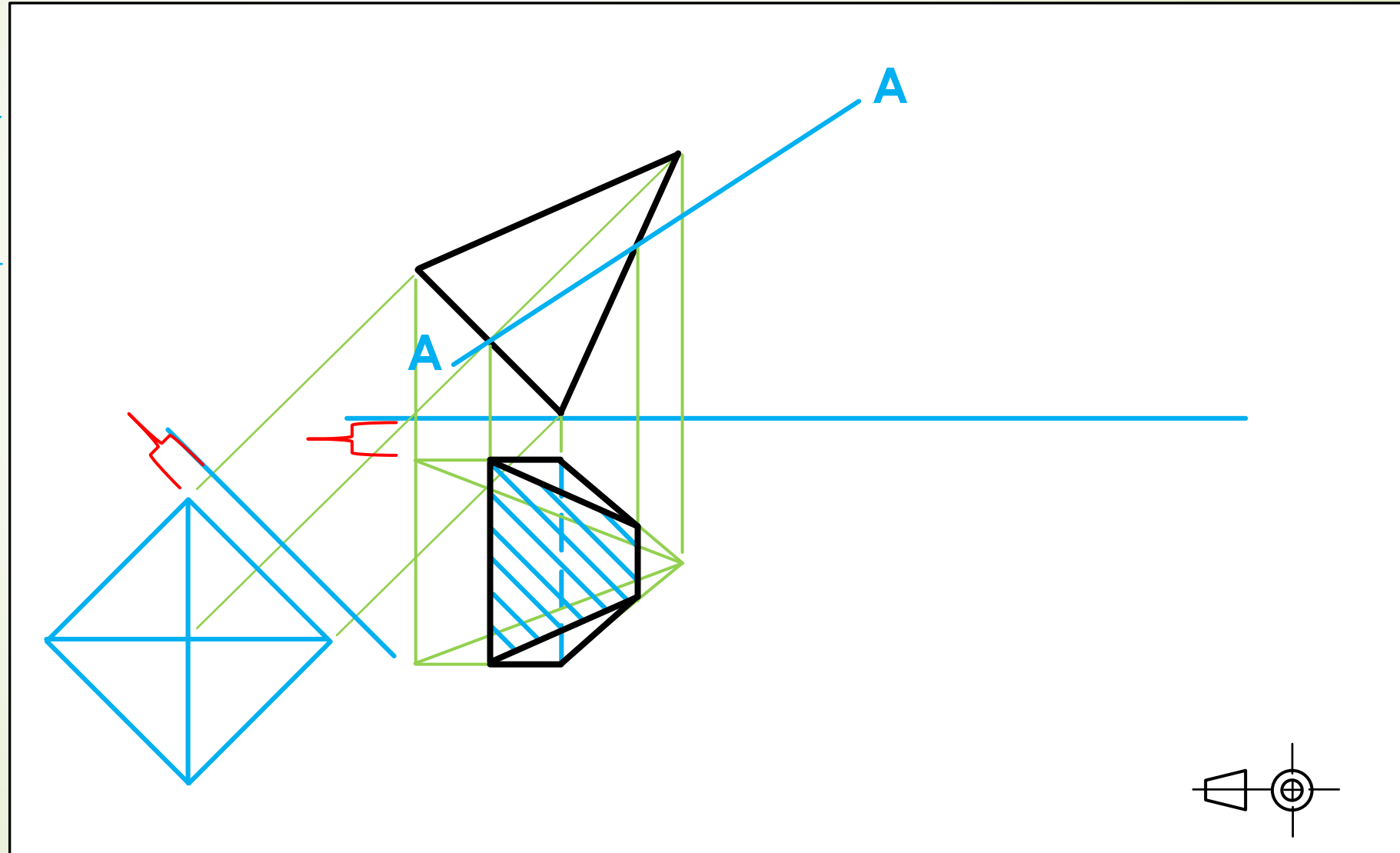
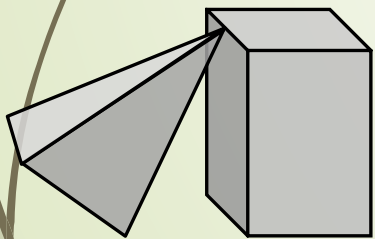
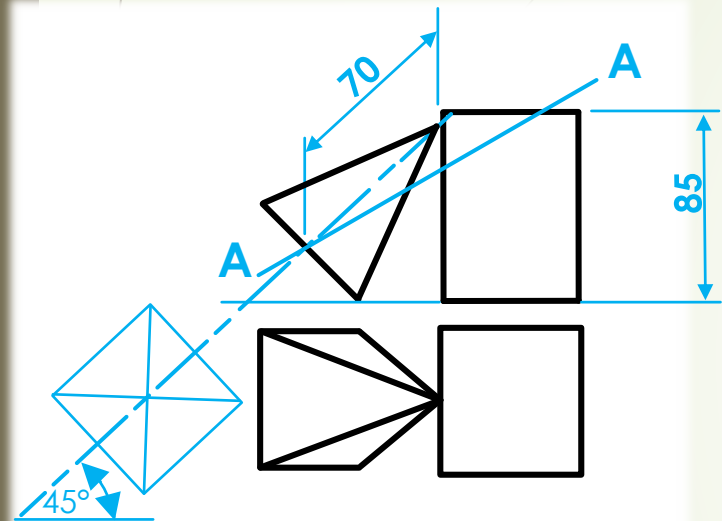
A combination of pyramids, prisms, cones and cylinders



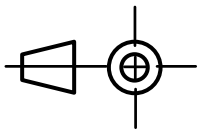
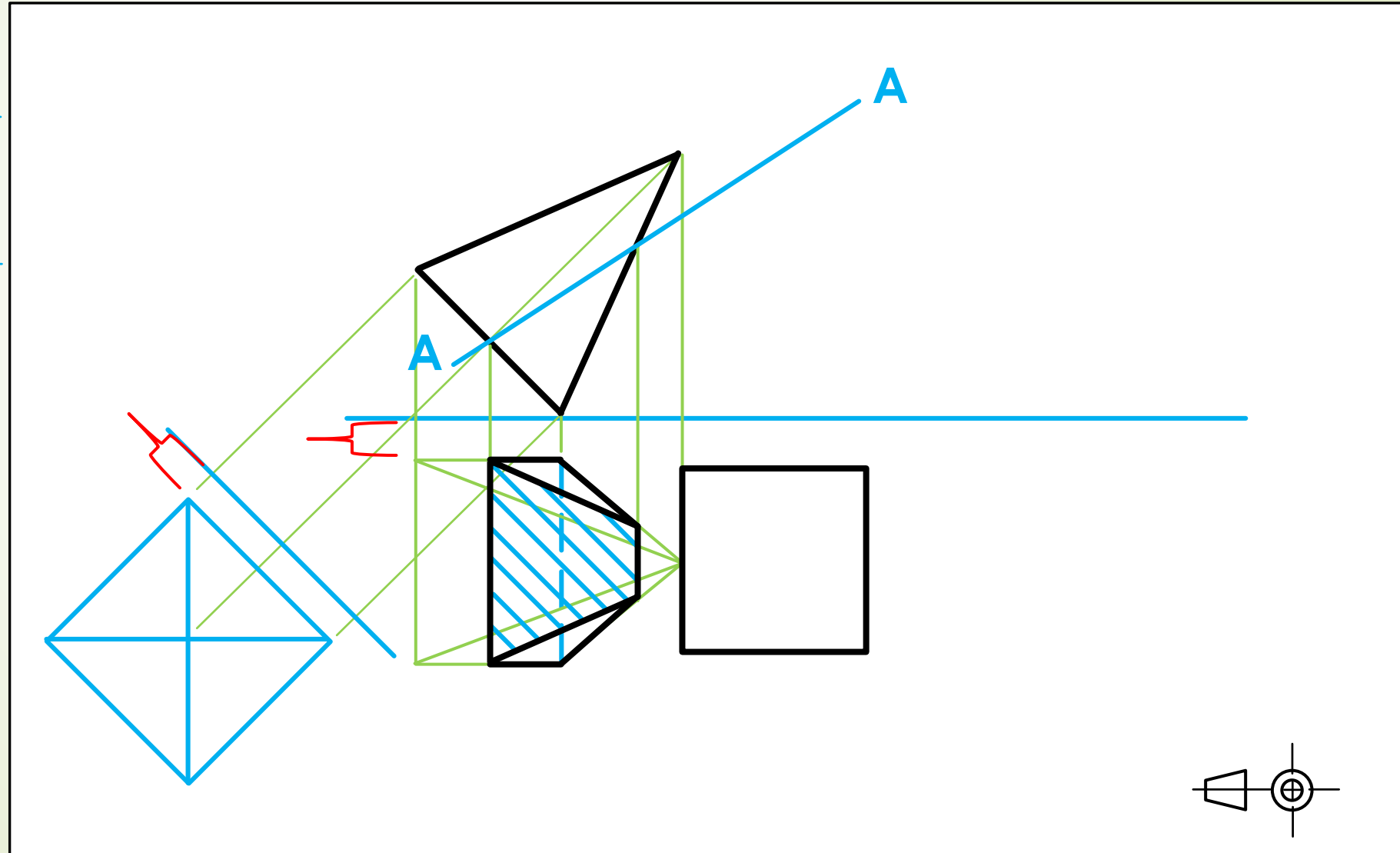
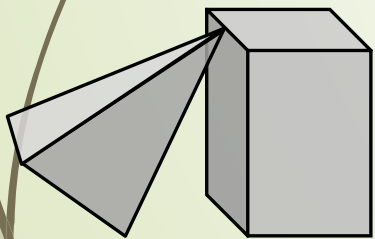
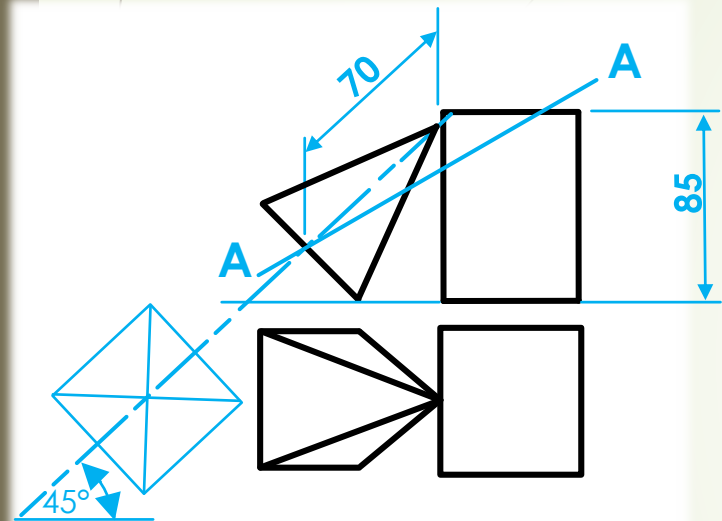
A combination of pyramids, prisms, cones and cylinders



A combination of pyramids, prisms, cones and cylinders



A combination of pyramids, prisms, cones and cylinders



A combination of pyramids, prisms, cones and cylinders

