



Surface developments

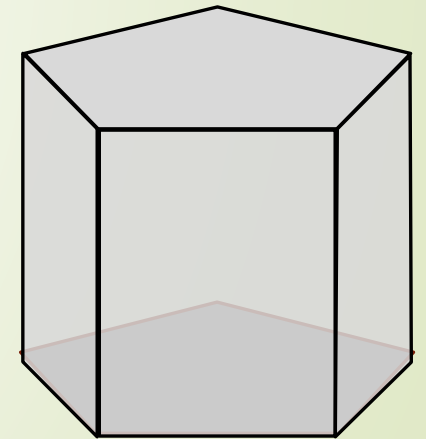
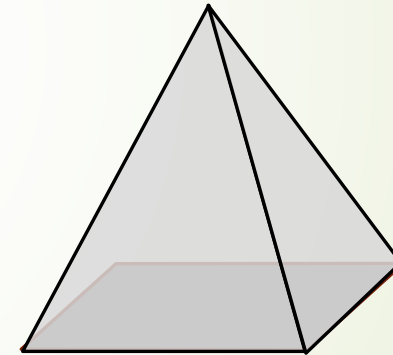
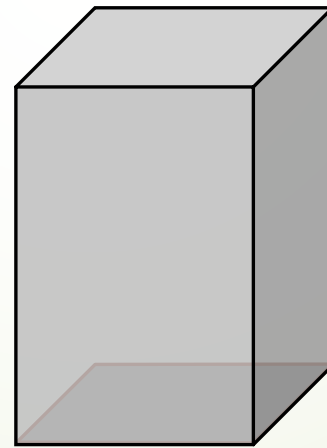
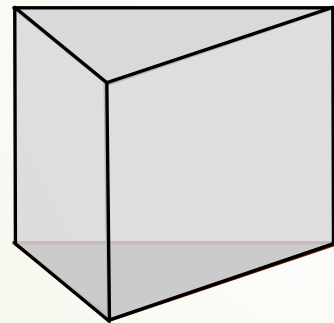
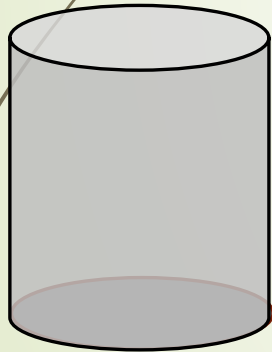
Prisms and pyramids

Grade 12

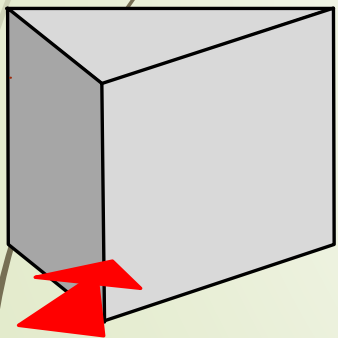
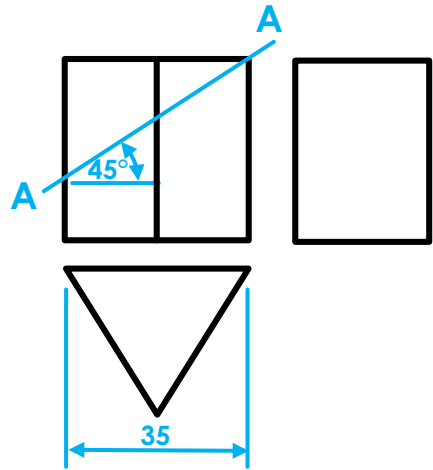
Developed by: PC Viljoen
Senior Educational Specialist for
Engineering Graphics and Design
Free State Province

Application on polygons

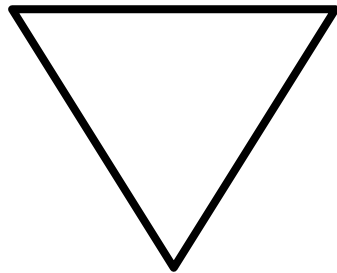
- Projecting right regular pyramids, prisms, cones and cylinders from polygons.



Application on polygons



FRONT VIEW



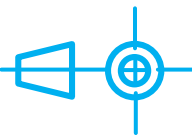
Given:

A regular triangular prism 78 mm high.

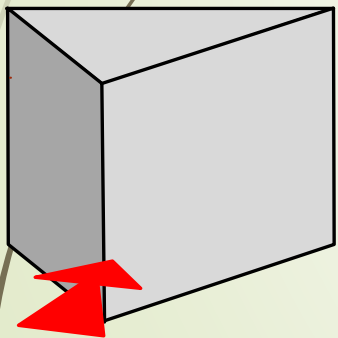
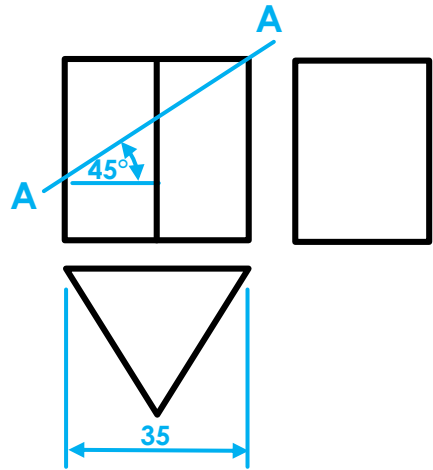
Question:

In F.A.O.P. draw...

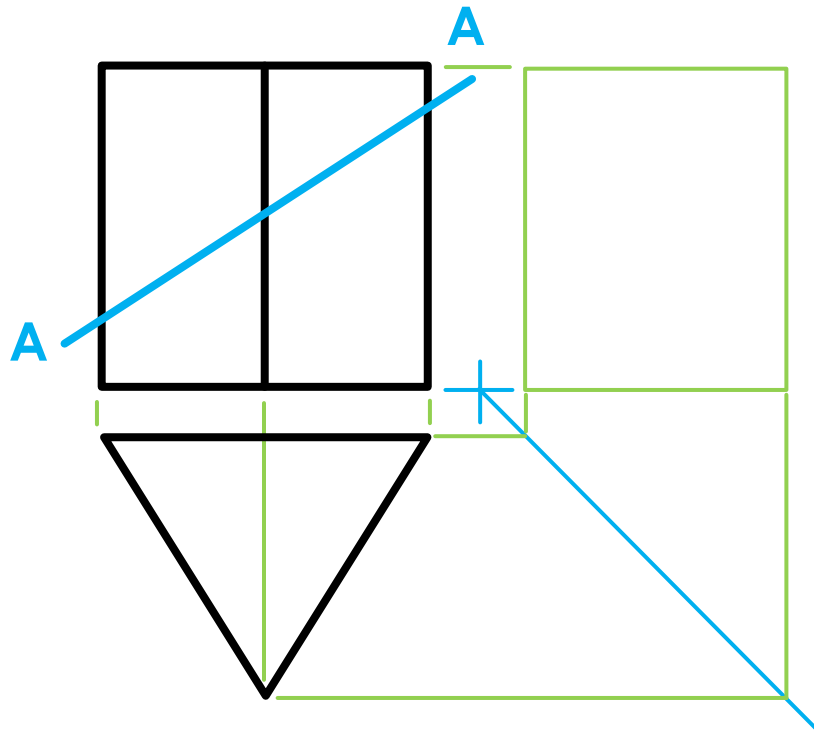
1. A front view
2. A sectioned left view
- 3. A top view**
4. Develop the surface of the solid



Application on polygons



FRONT VIEW



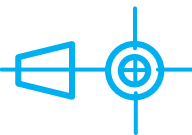
Given:

A regular triangular prism 78 mm high.

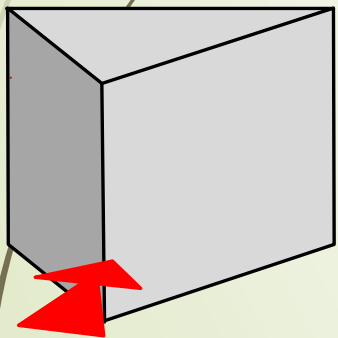
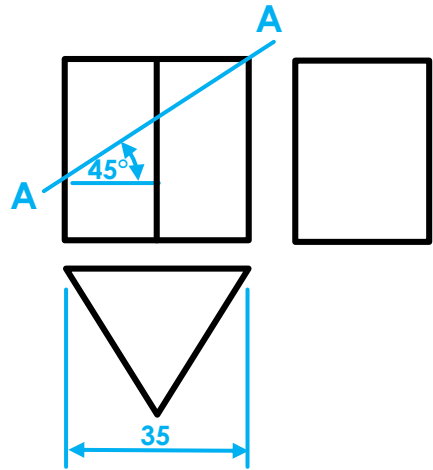
Question:

In F.A.O.P. draw...

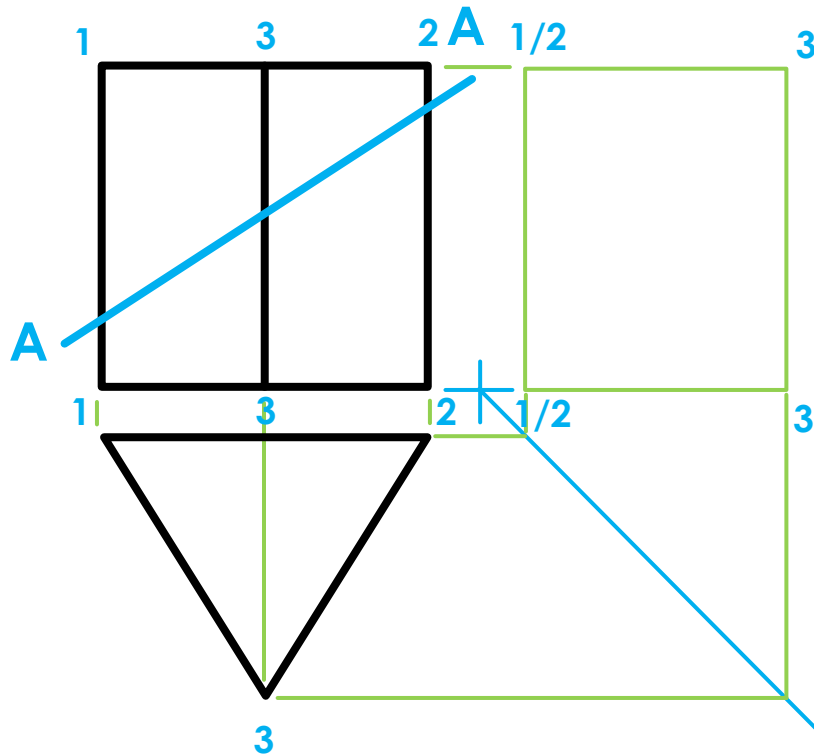
1. **A front view**
2. A sectioned left view
3. A top view
4. Develop the surface of the solid



Application on polygons



FRONT VIEW



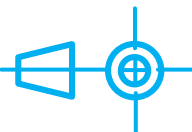
Given:

A regular triangular prism 78 mm high.

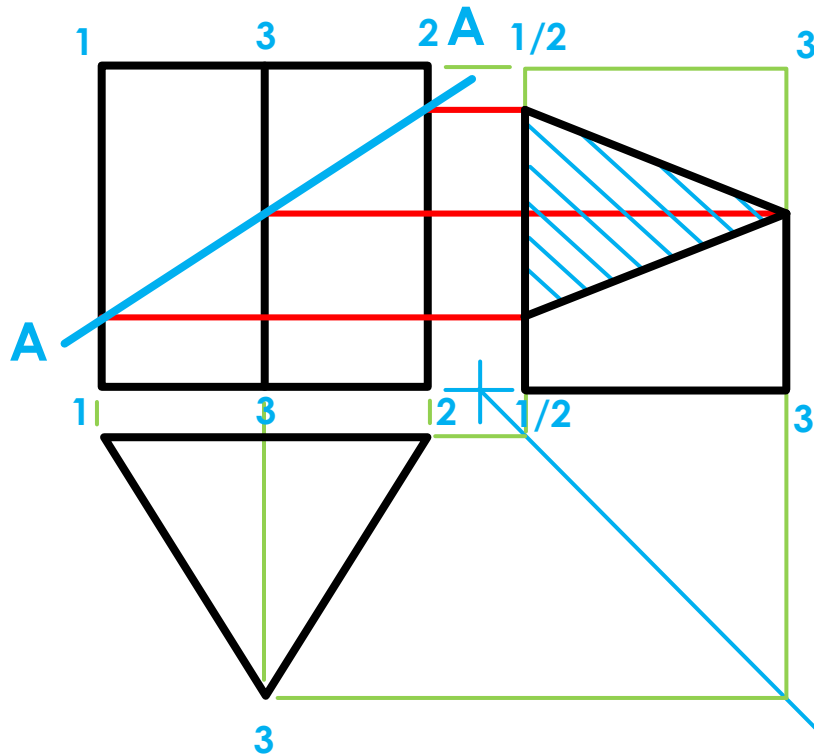
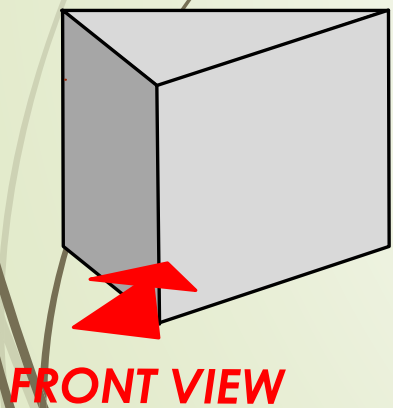
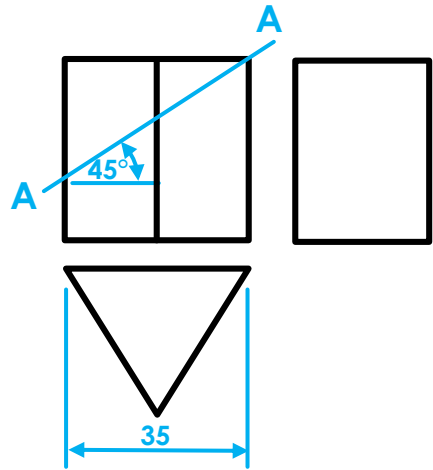
Question:

In F.A.O.P. draw...

1. A front view
2. **A sectioned left view**
3. A top view
4. Develop the surface of the solid



Application on polygons



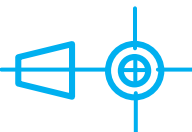
Given:

A regular triangular prism 78 mm high.

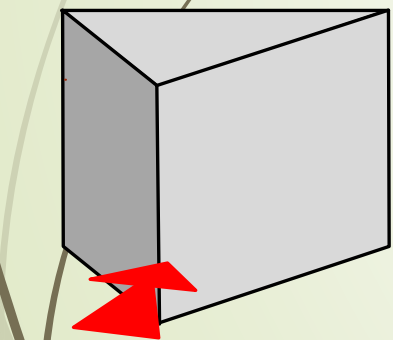
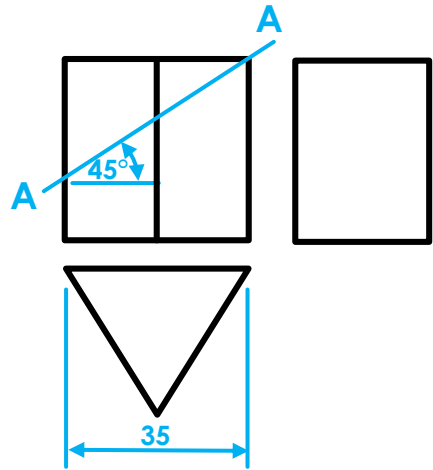
Question:

In F.A.O.P. draw...

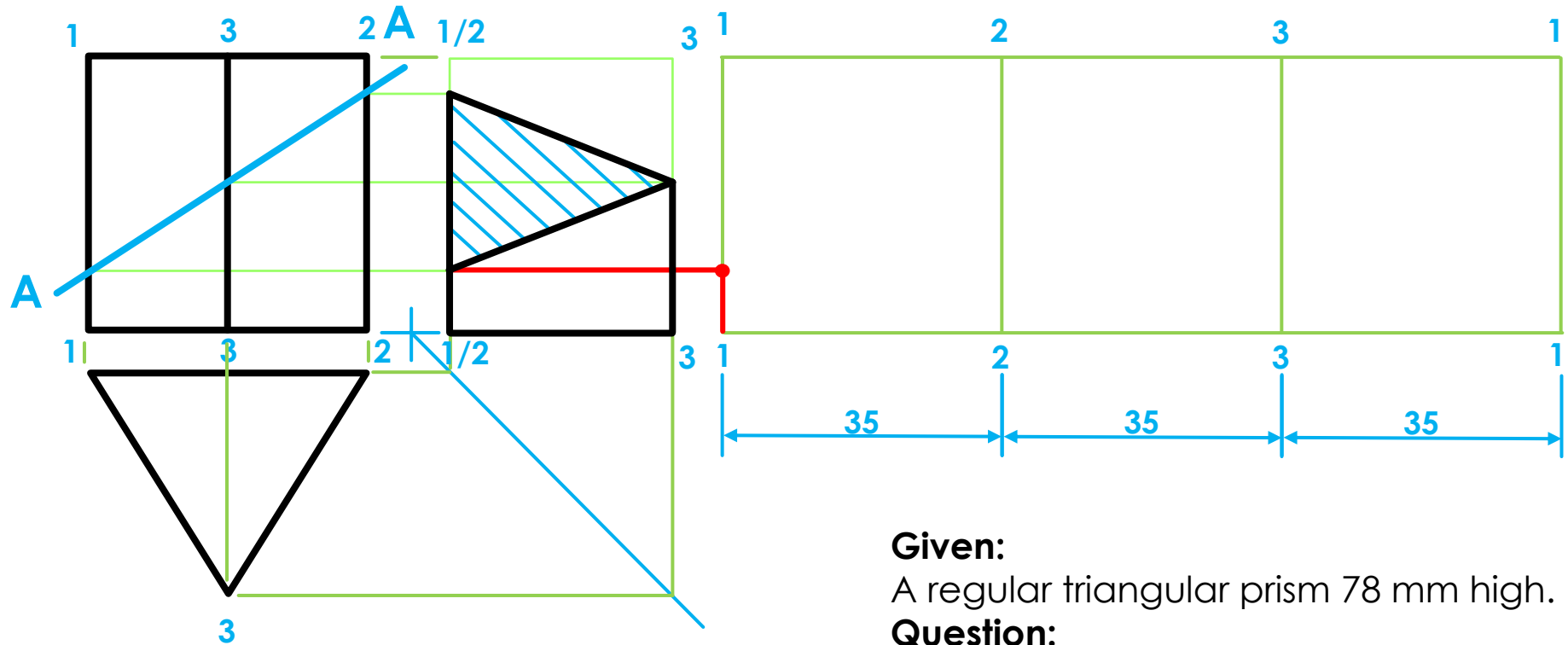
1. A front view
2. **A sectioned left view**
3. A top view
4. Develop the surface of the solid



Application on polygons



FRONT VIEW



Given:

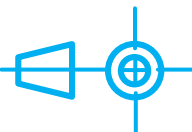
A regular triangular prism 78 mm high.

Question:

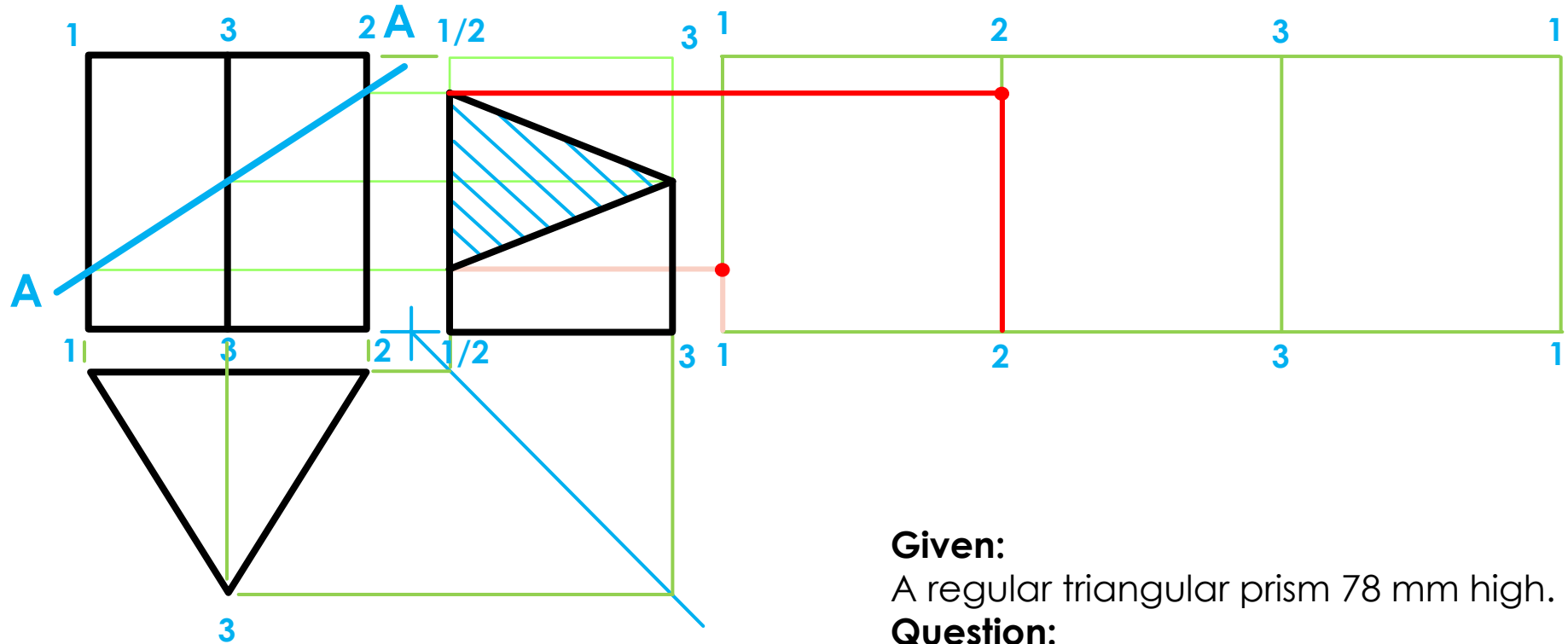
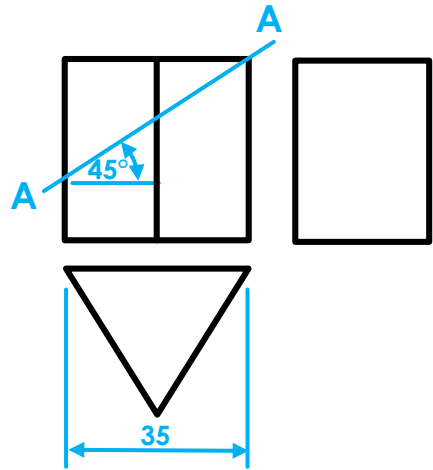
In F.A.O.P. draw...

1. A front view
2. A sectioned left view
3. A top view

4. Develop the surface of the solid



Application on polygons



Given:

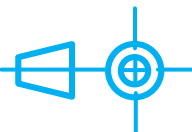
A regular triangular prism 78 mm high.

Question:

In F.A.O.P. draw...

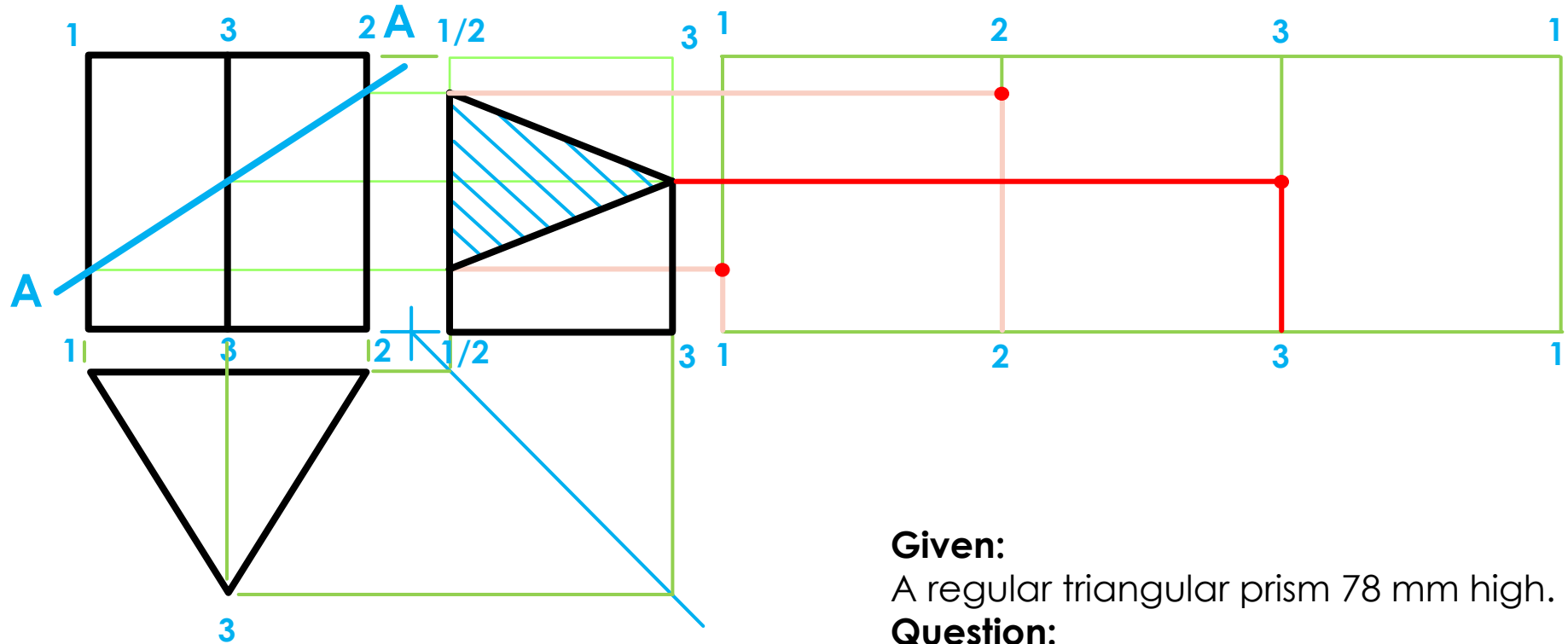
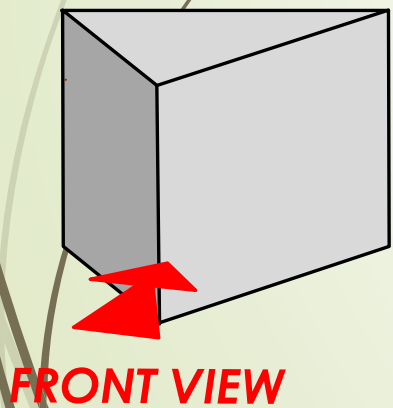
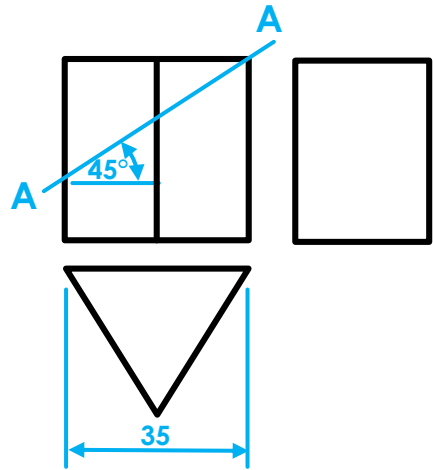
1. A front view
2. A sectioned left view
3. A top view

4. Develop the surface of the solid



FRONT VIEW

Application on polygons



Given:

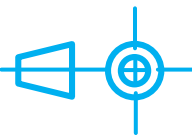
A regular triangular prism 78 mm high.

Question:

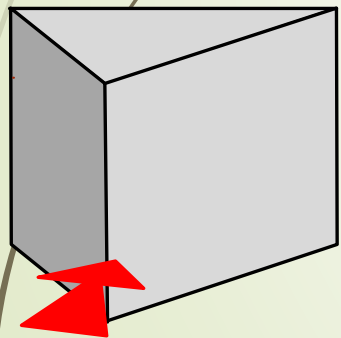
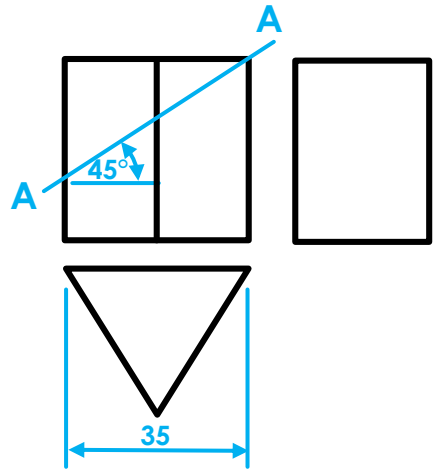
In F.A.O.P. draw...

1. A front view
2. A sectioned left view
3. A top view

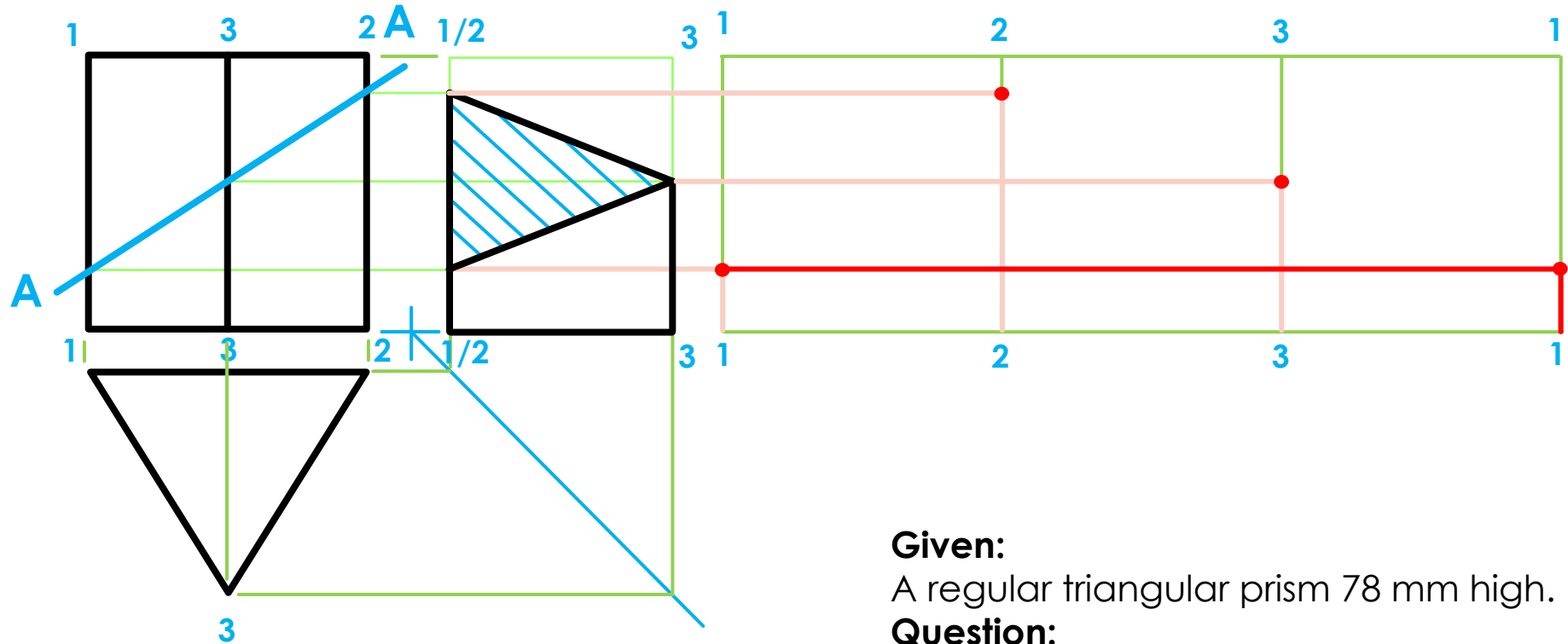
4. Develop the surface of the solid



Application on polygons



FRONT VIEW



Given:

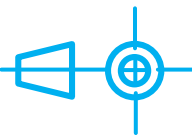
A regular triangular prism 78 mm high.

Question:

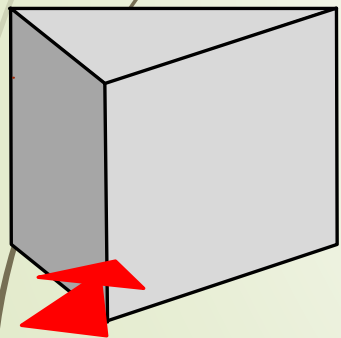
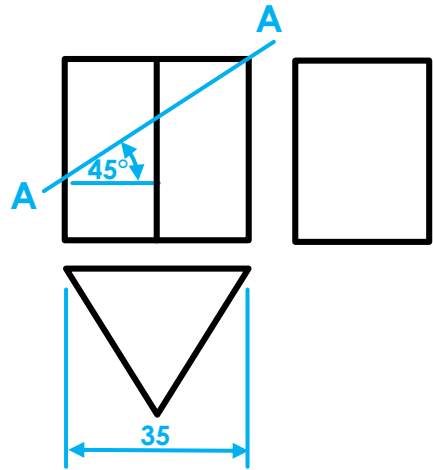
In F.A.O.P. draw...

1. A front view
2. A sectioned left view
3. A top view

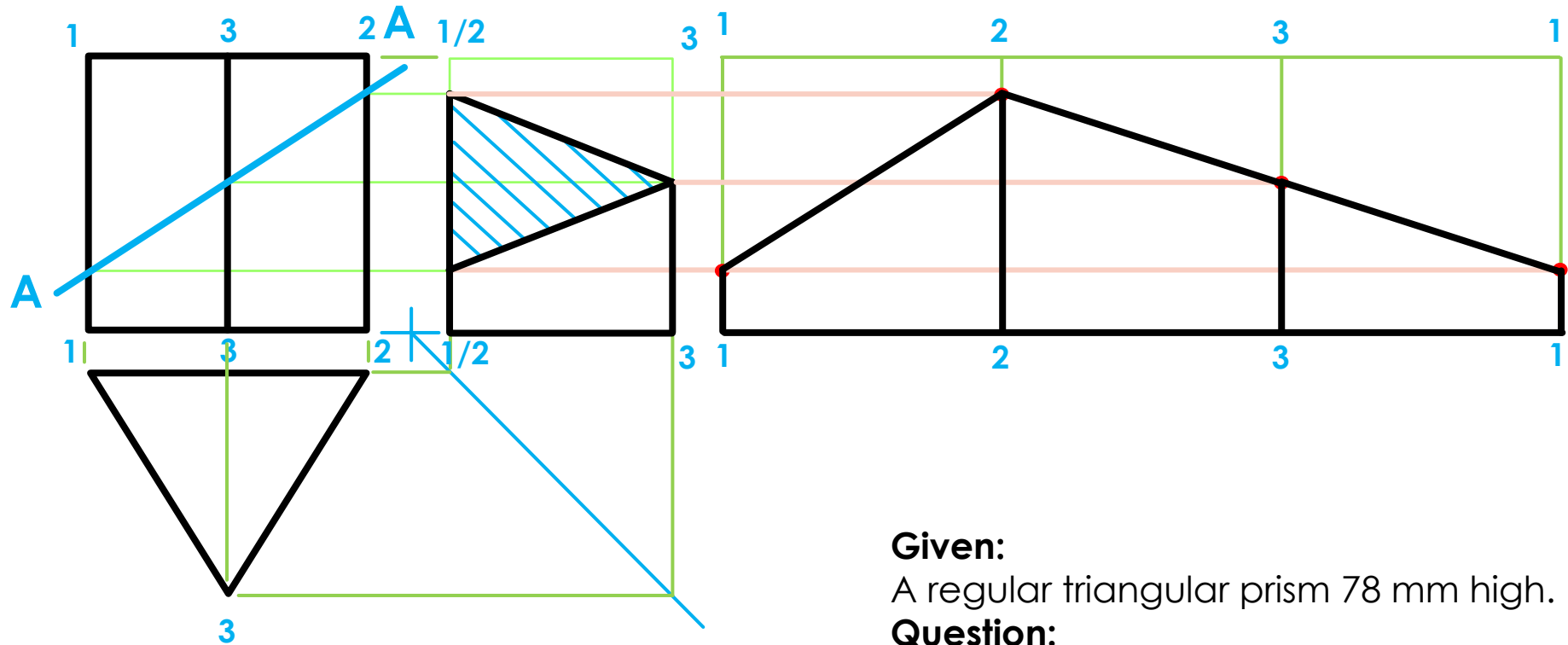
4. Develop the surface of the solid



Application on polygons



FRONT VIEW



Given:

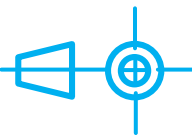
A regular triangular prism 78 mm high.

Question:

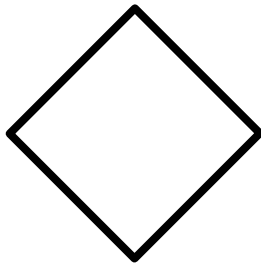
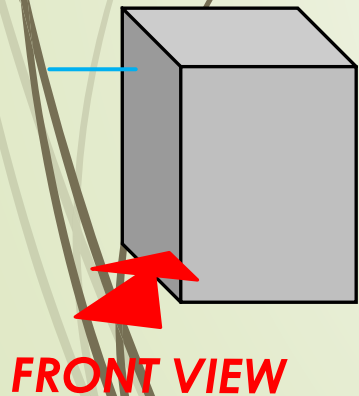
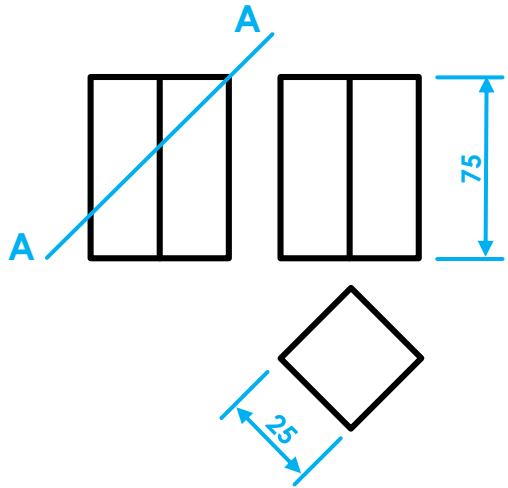
In F.A.O.P. draw...

1. A front view
2. A sectioned left view
3. A top view

4. Develop the surface of the solid



Application on polygons



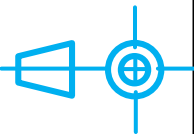
Given:

A regular square prism 75 mm high.

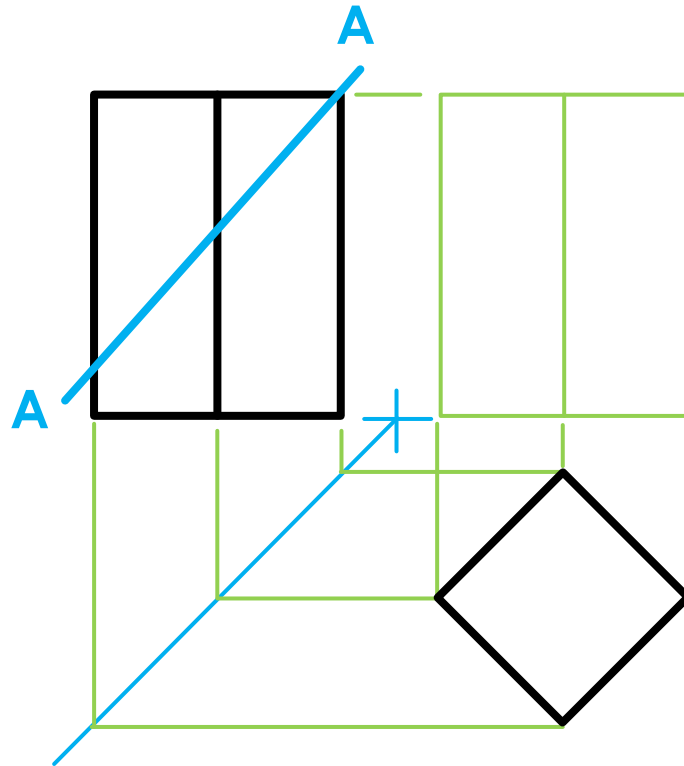
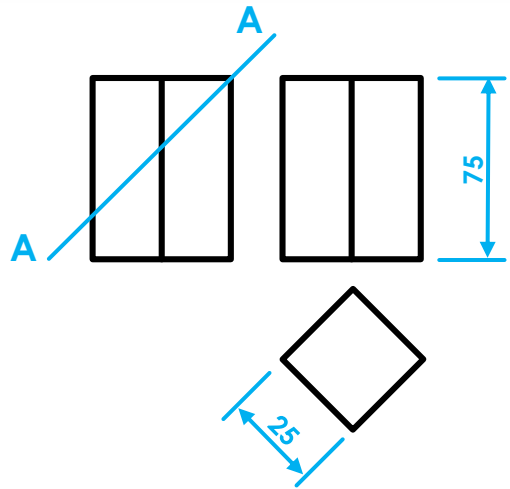
Question:

In F.A.O.P. draw...

1. A sectioned front view
2. A right view
- 3. A top view**
4. Develop the surface of the solid



Application on polygons



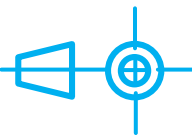
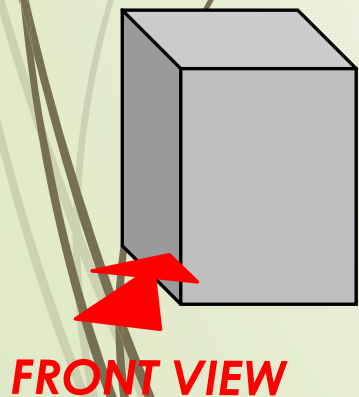
Given:

A regular square prism 75 mm high.

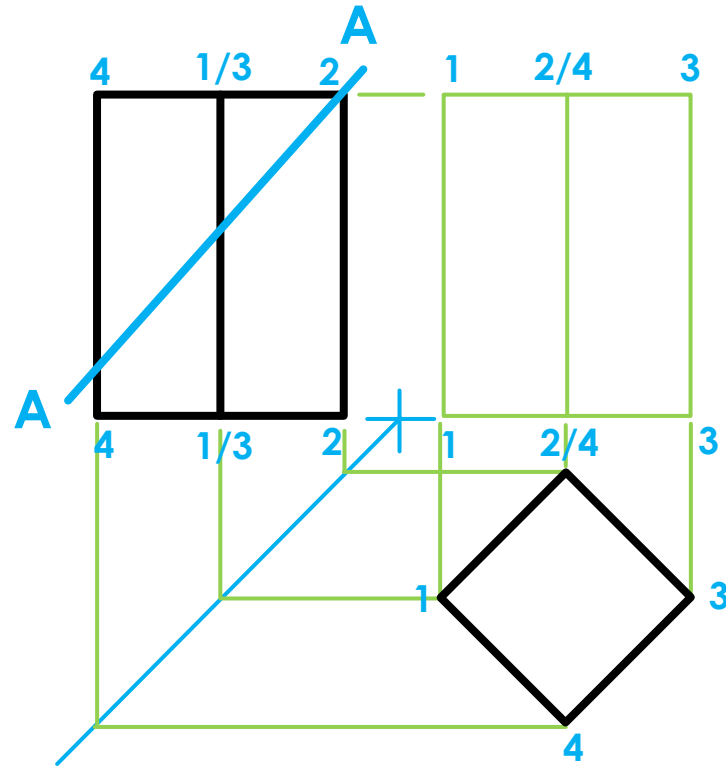
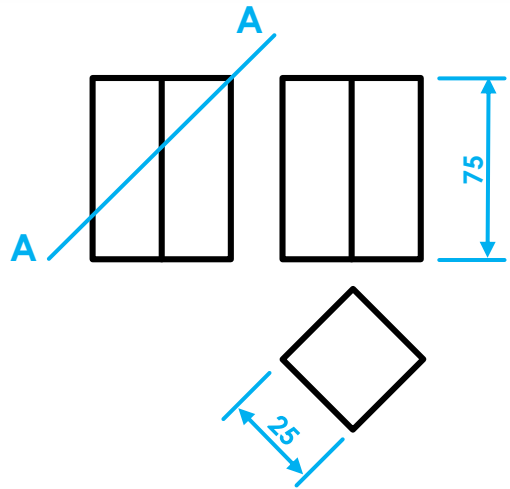
Question:

In F.A.O.P. draw...

1. A sectioned front view
2. **A right view**
3. A top view
4. Develop the surface of the solid



Application on polygons



Given:

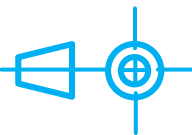
A regular square prism 75 mm high.

Question:

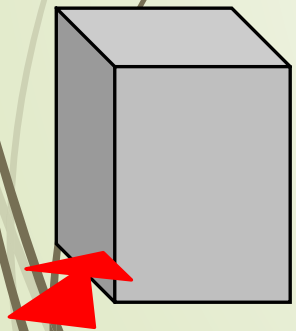
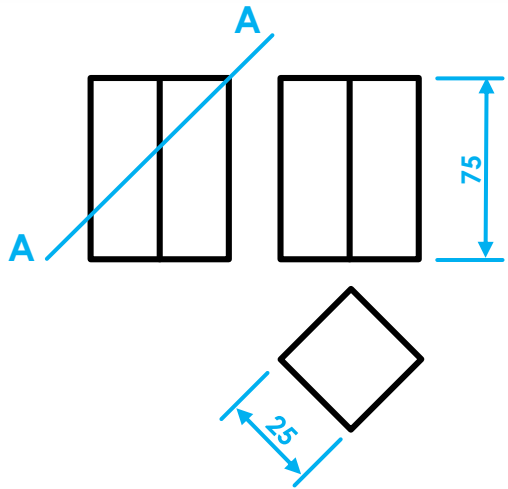
In F.A.O.P. draw...

1. A sectioned front view
2. A right view
3. A top view
4. Develop the surface of the solid

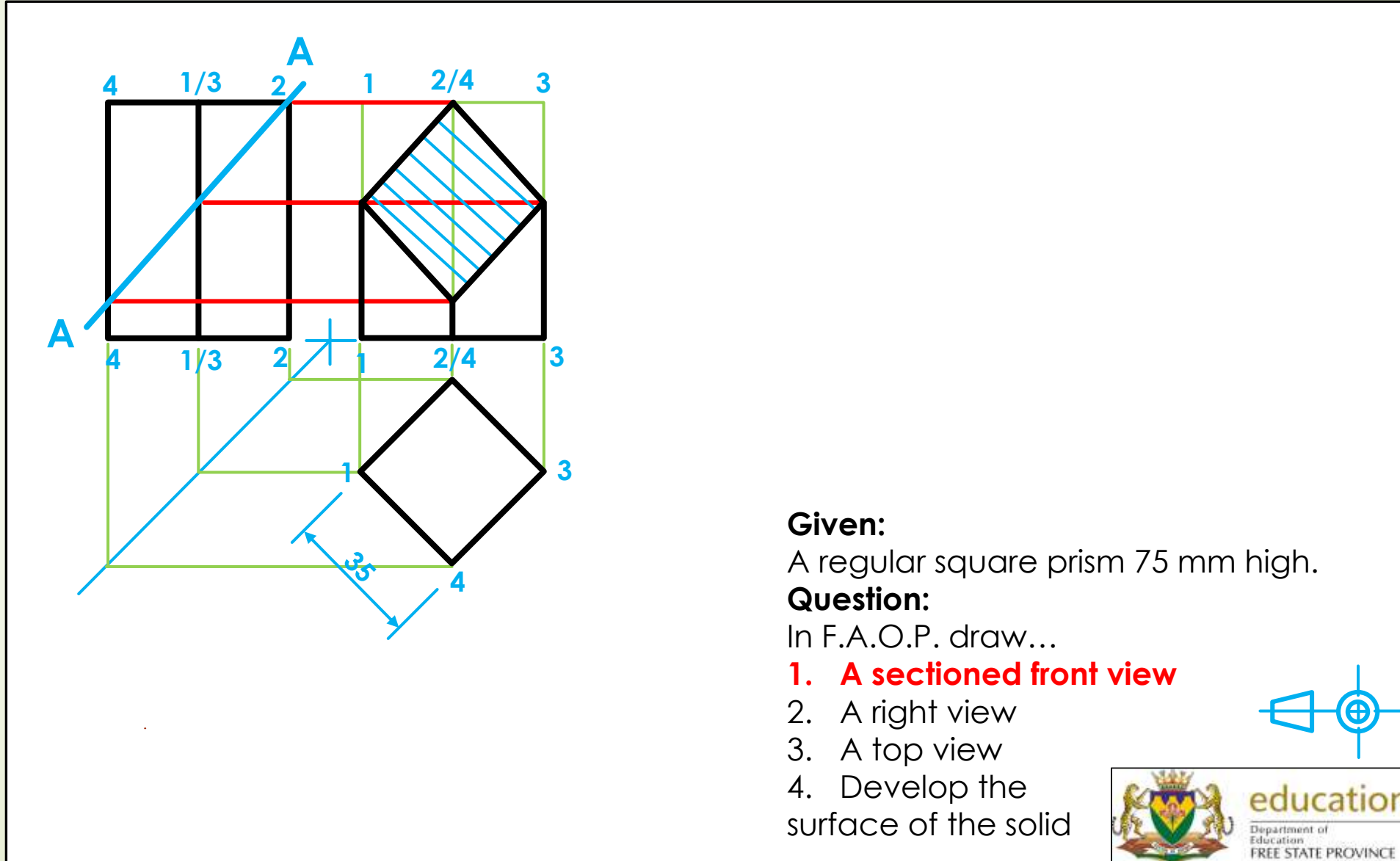
FRONT VIEW



Application on polygons



FRONT VIEW



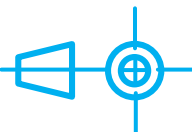
Given:

A regular square prism 75 mm high.

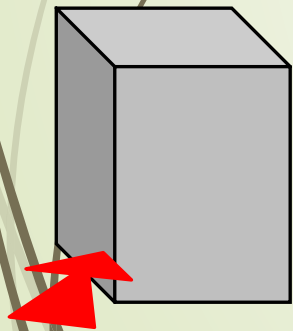
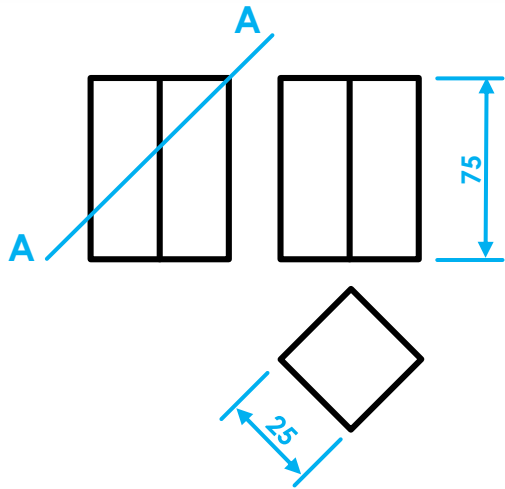
Question:

In F.A.O.P. draw...

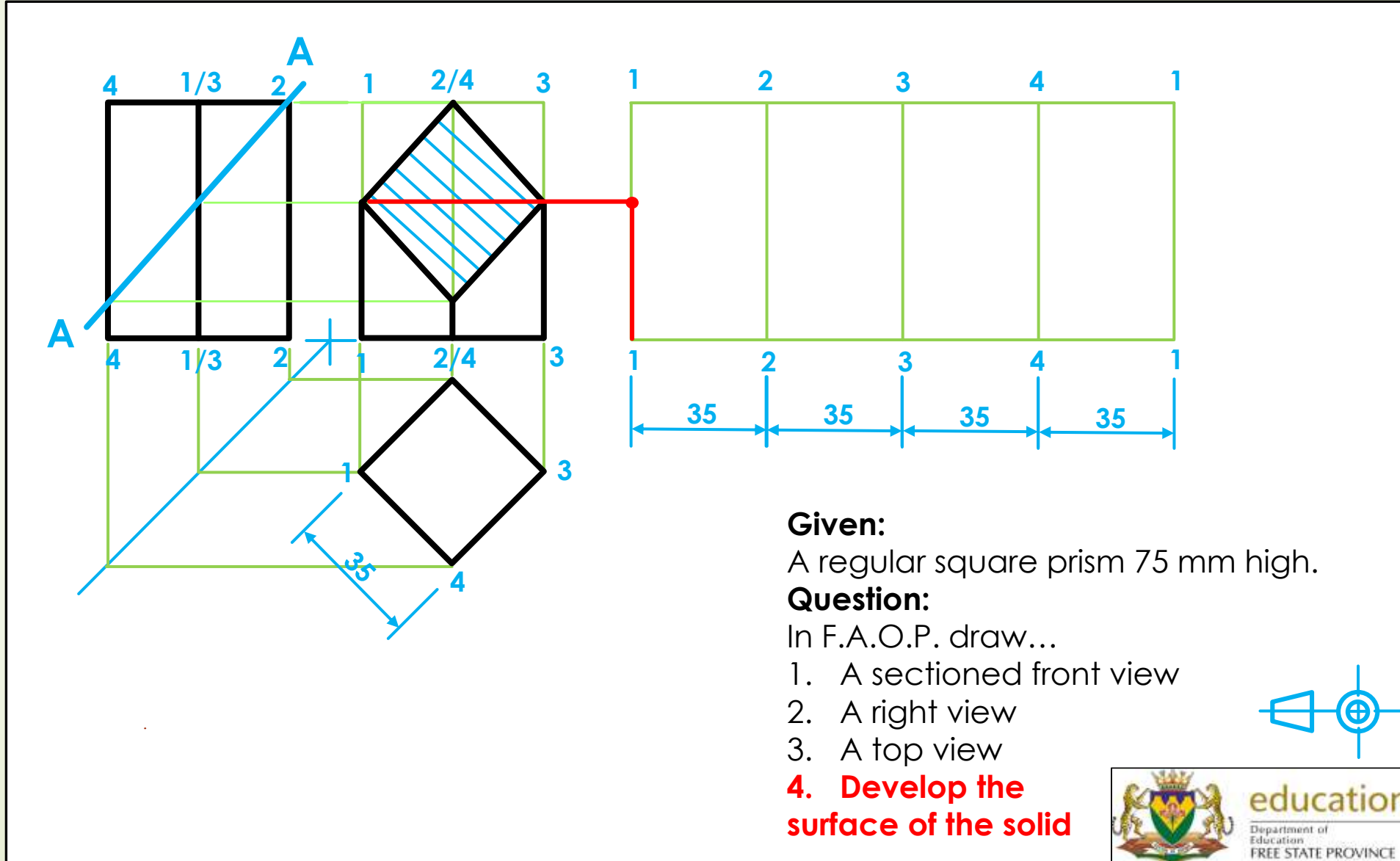
1. **A sectioned front view**
2. A right view
3. A top view
4. Develop the surface of the solid



Application on polygons



FRONT VIEW



Given:

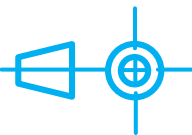
A regular square prism 75 mm high.

Question:

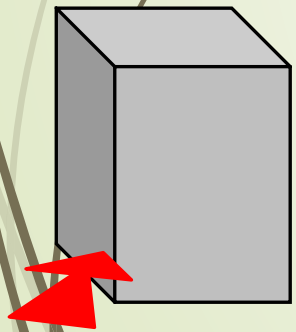
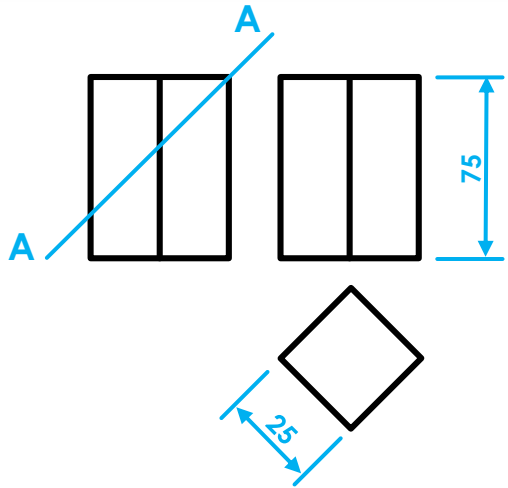
In F.A.O.P. draw...

1. A sectioned front view
2. A right view
3. A top view

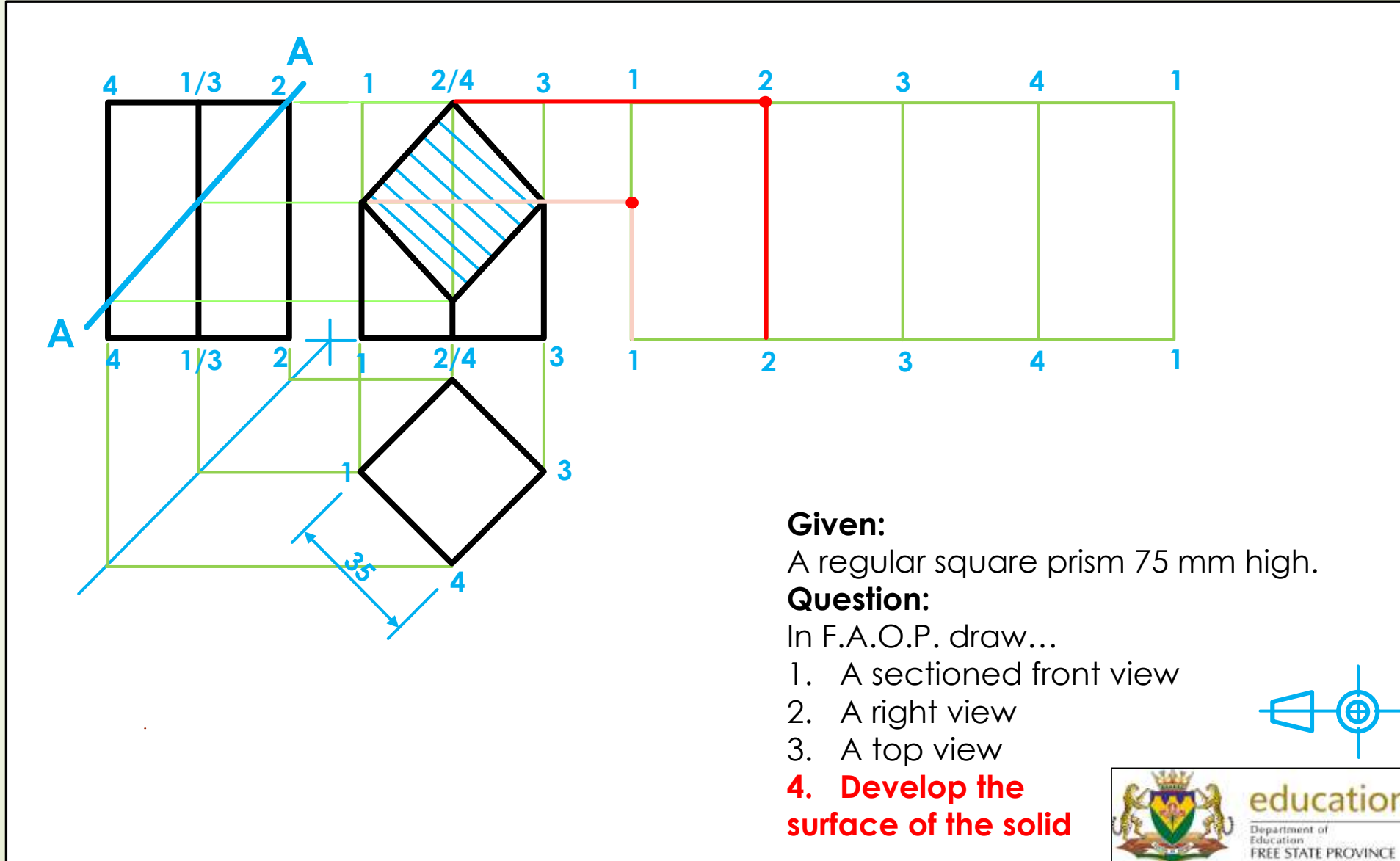
4. Develop the surface of the solid



Application on polygons



FRONT VIEW



Given:

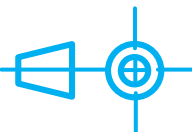
A regular square prism 75 mm high.

Question:

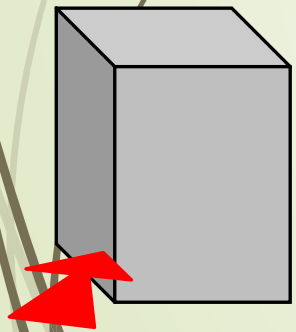
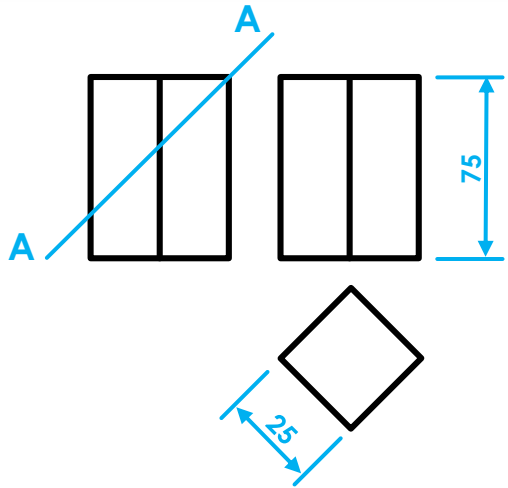
In F.A.O.P. draw...

1. A sectioned front view
2. A right view
3. A top view

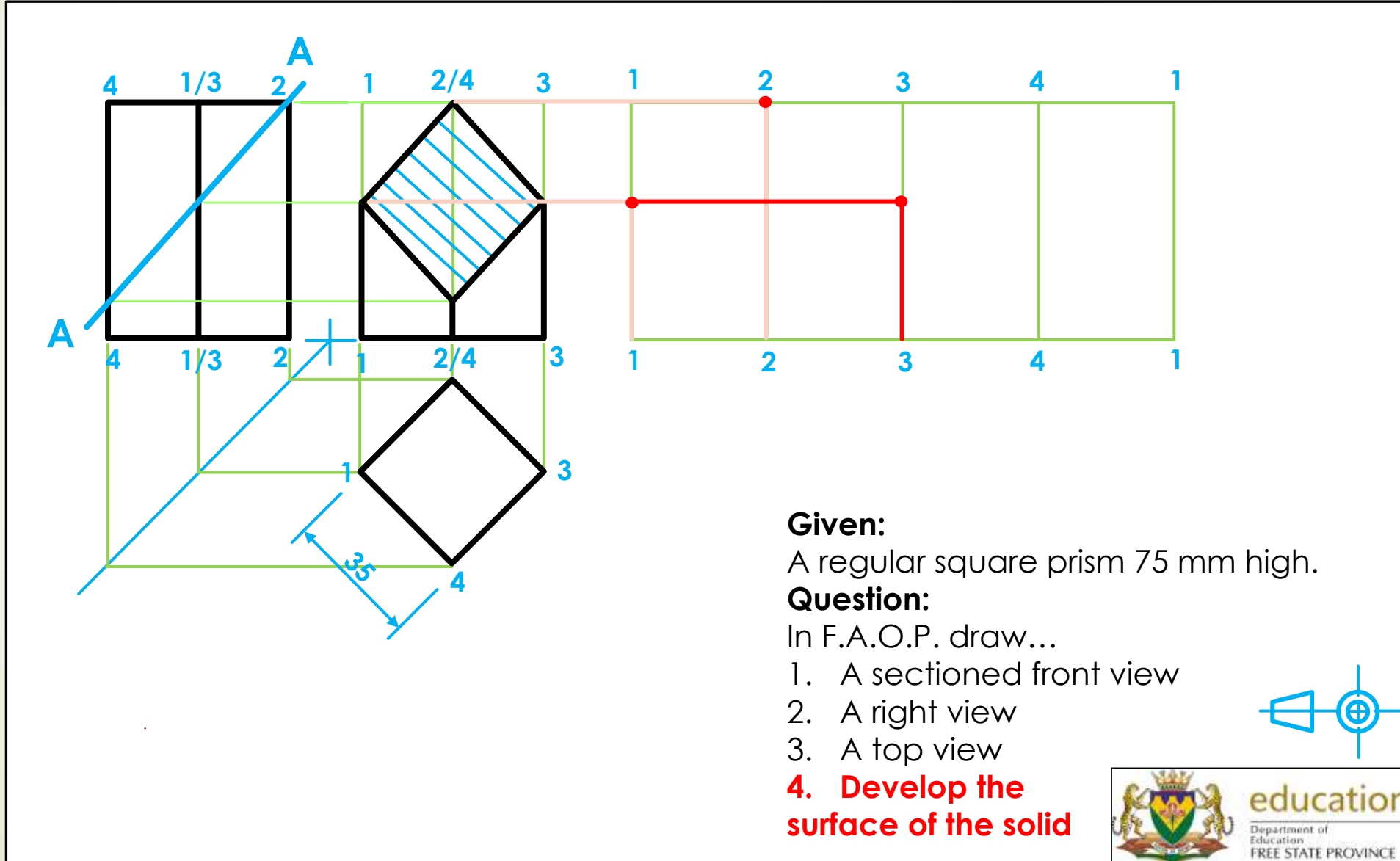
4. Develop the surface of the solid



Application on polygons



FRONT VIEW



Given:

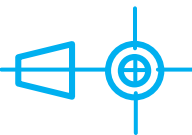
A regular square prism 75 mm high.

Question:

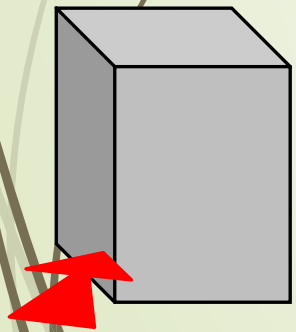
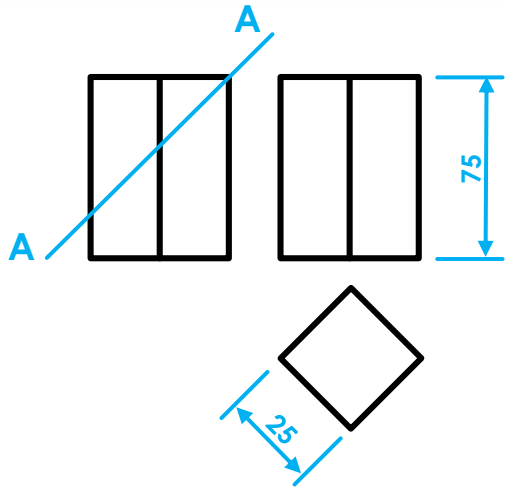
In F.A.O.P. draw...

1. A sectioned front view
2. A right view
3. A top view

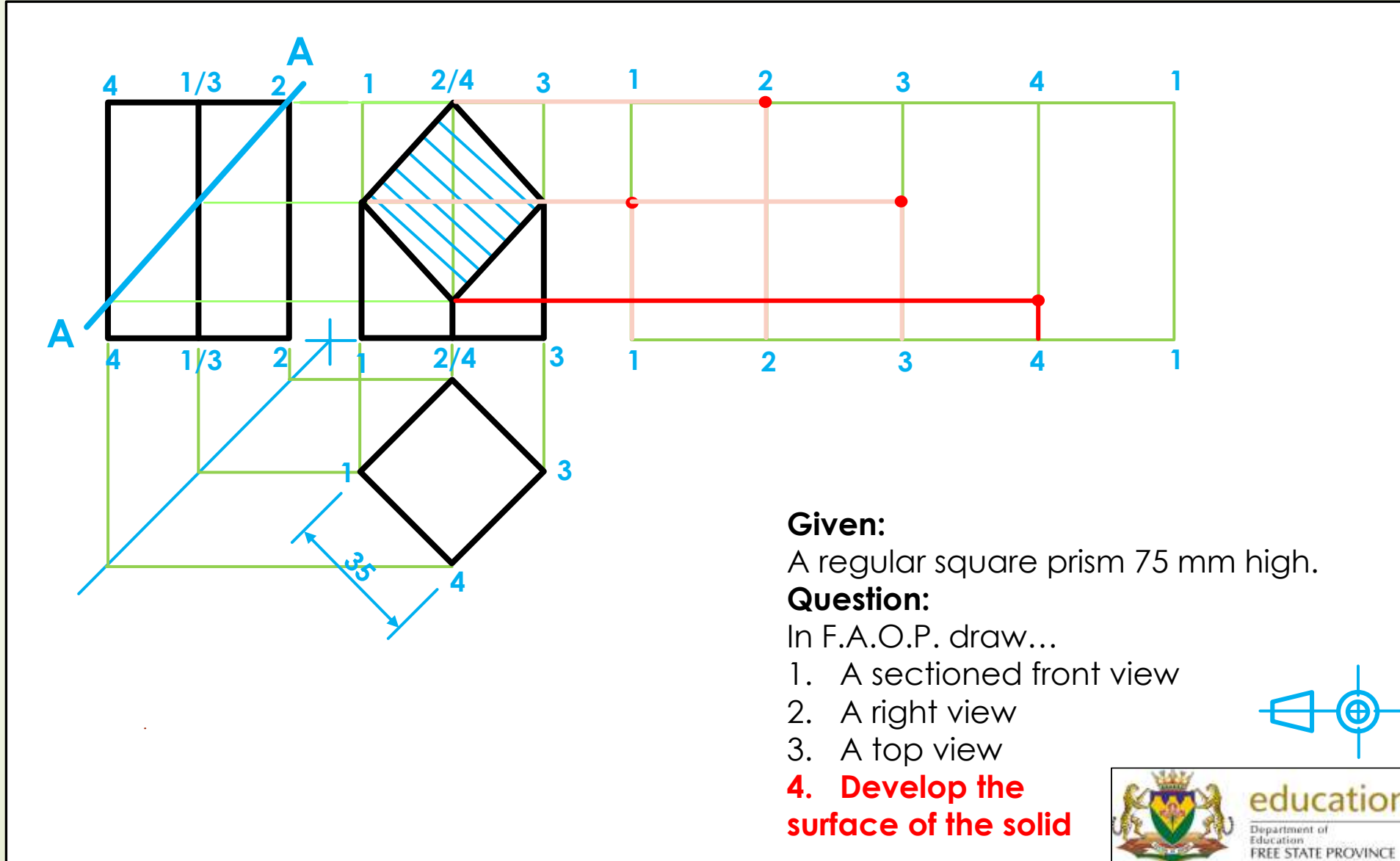
4. Develop the surface of the solid



Application on polygons



FRONT VIEW



Given:

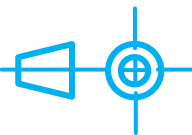
A regular square prism 75 mm high.

Question:

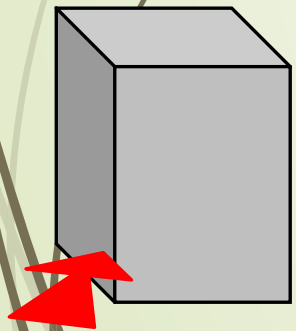
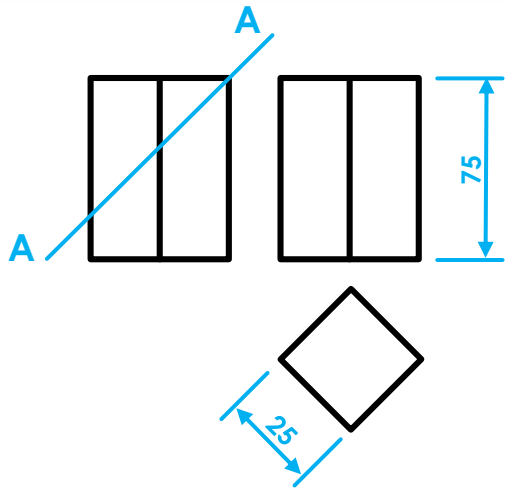
In F.A.O.P. draw...

1. A sectioned front view
2. A right view
3. A top view

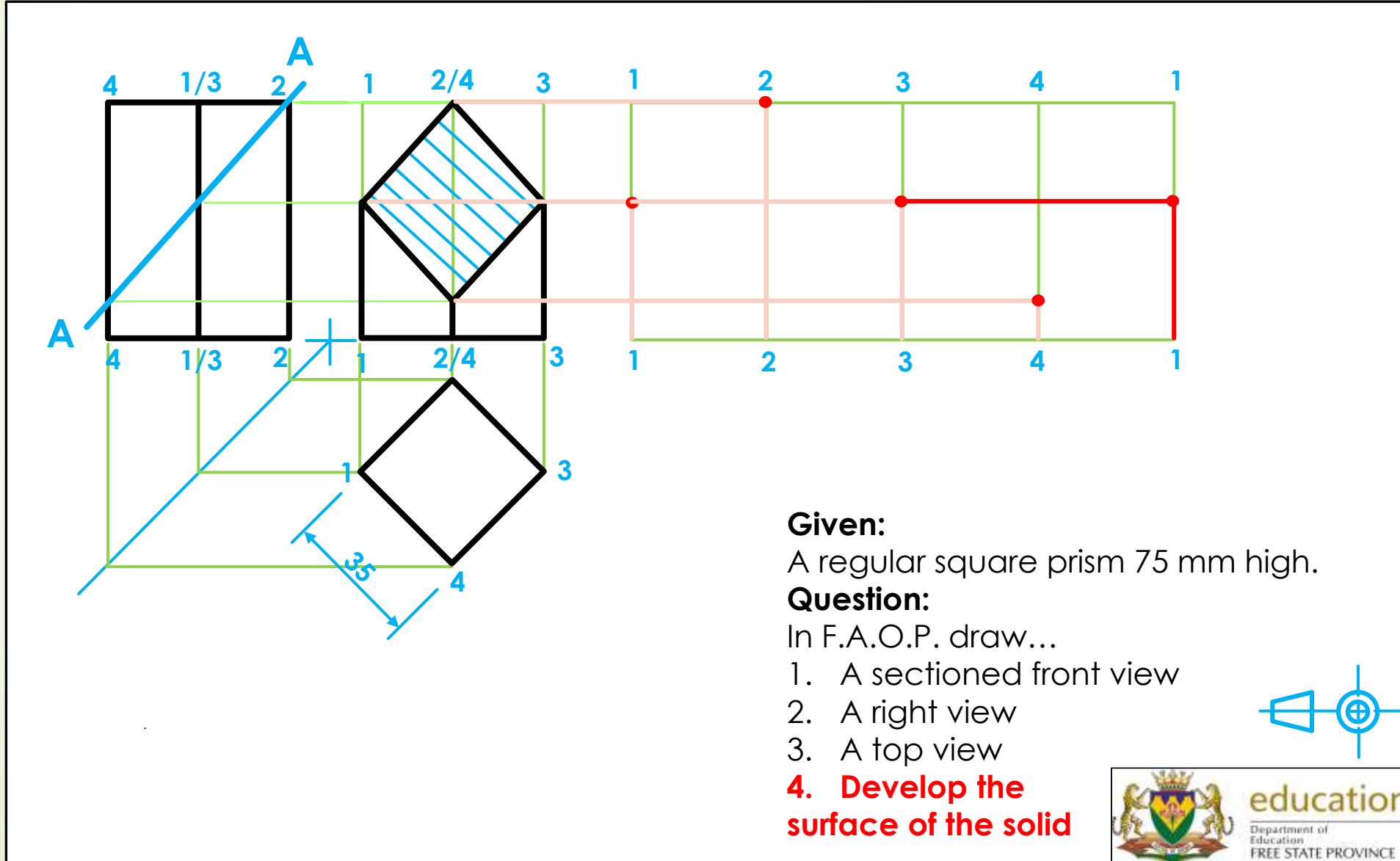
4. Develop the surface of the solid



Application on polygons



FRONT VIEW



Given:

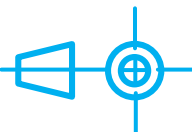
A regular square prism 75 mm high.

Question:

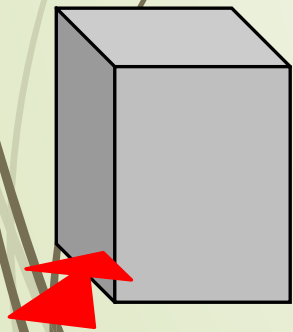
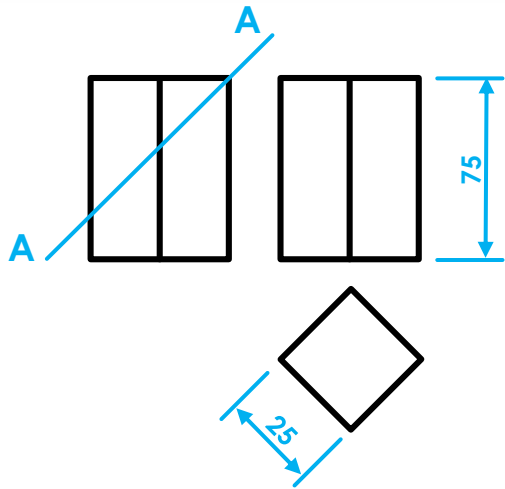
In F.A.O.P. draw...

1. A sectioned front view
2. A right view
3. A top view

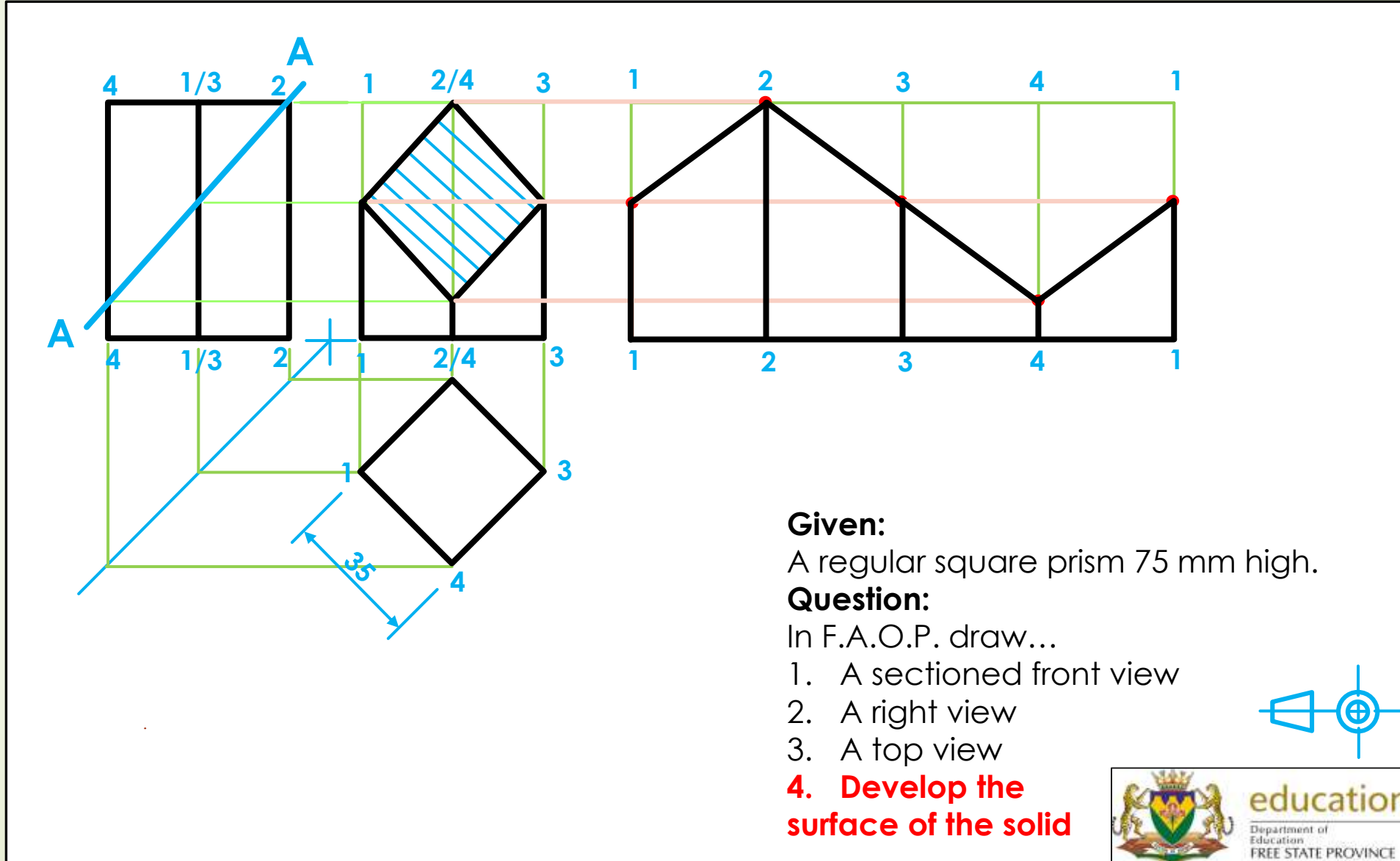
4. Develop the surface of the solid



Application on polygons



FRONT VIEW



Given:

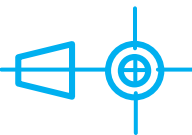
A regular square prism 75 mm high.

Question:

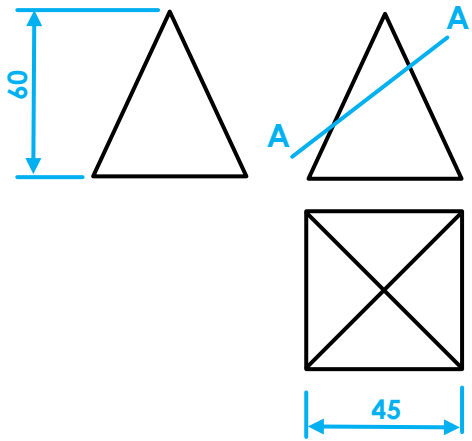
In F.A.O.P. draw...

1. A sectioned front view
2. A right view
3. A top view

4. Develop the surface of the solid



Application on polygons



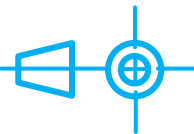
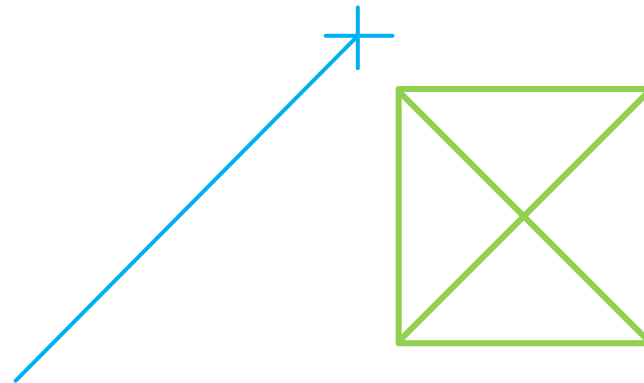
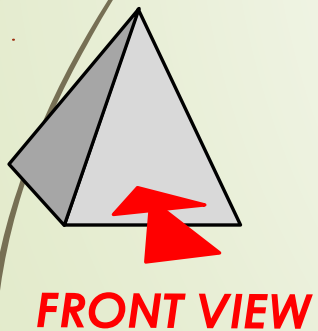
Given:

A regular square pyramid 60 mm high.

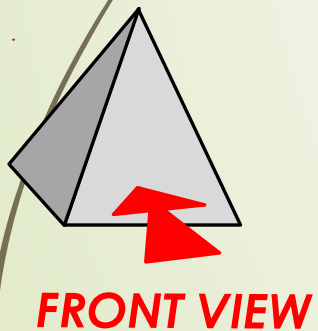
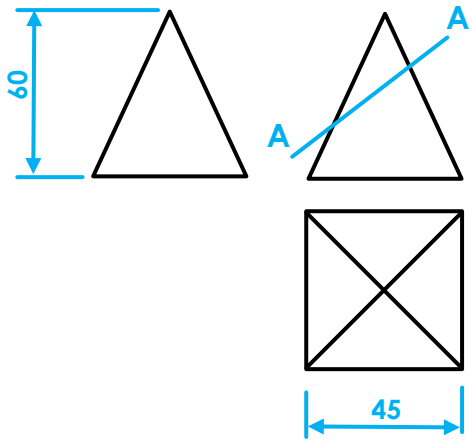
Question:

In F.A.O.P. draw...

1. A front view
2. A right view
3. A sectioned **top view**
4. Develop the surface of the solid



Application on polygons



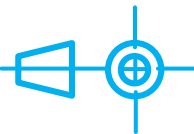
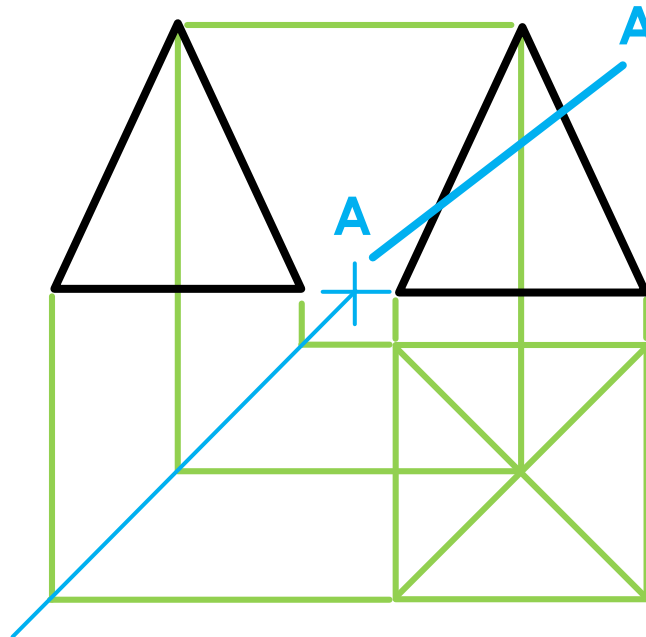
Given:

A regular square pyramid 60 mm high.

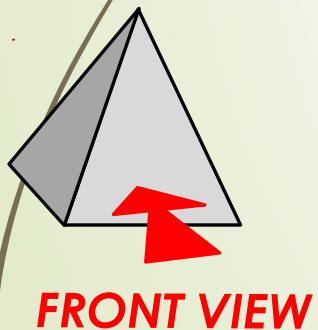
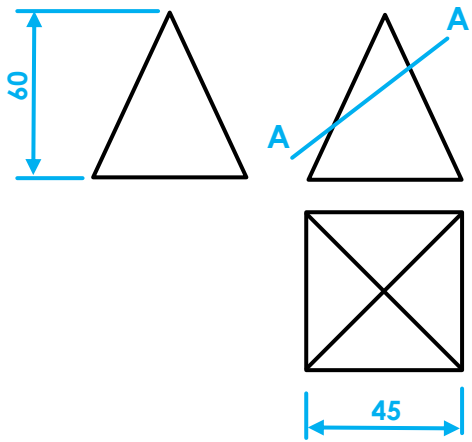
Question:

In F.A.O.P. draw...

1. A front view
2. A right view
3. A sectioned top view
4. Develop the surface of the solid



Application on polygons



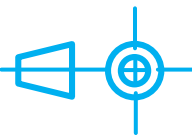
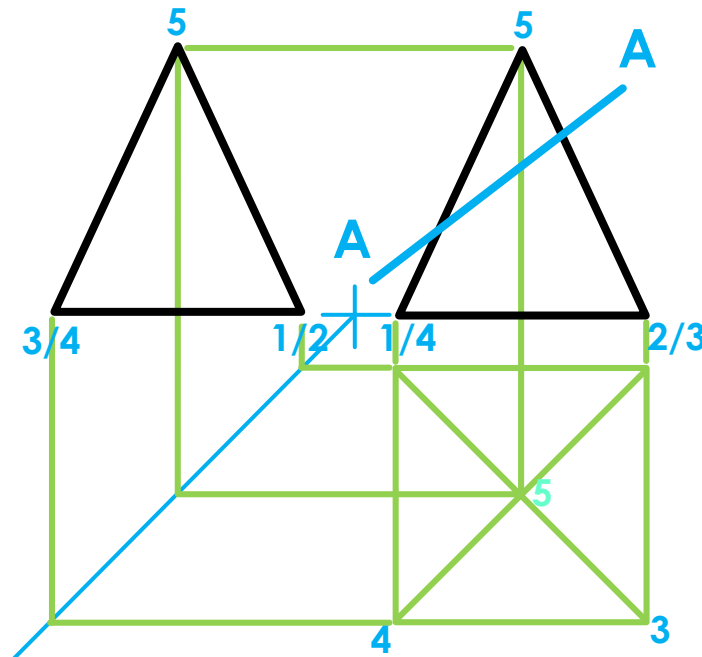
Given:

A regular square pyramid 60 mm high.

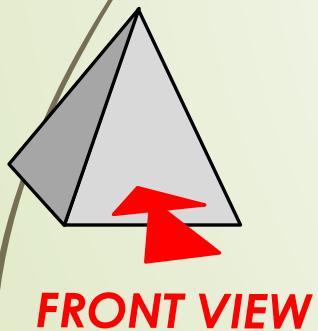
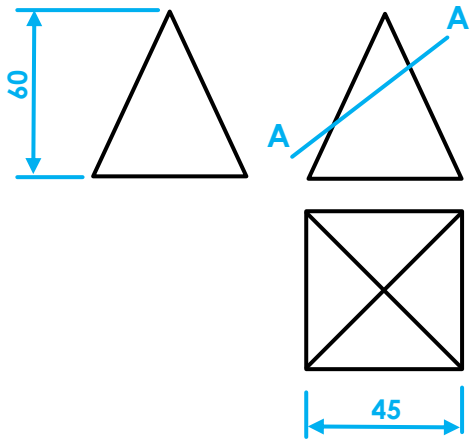
Question:

In F.A.O.P. draw...

1. A front view
2. A right view
3. **A sectioned top view**
4. Develop the surface of the solid



Application on polygons



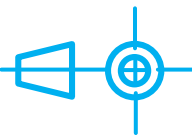
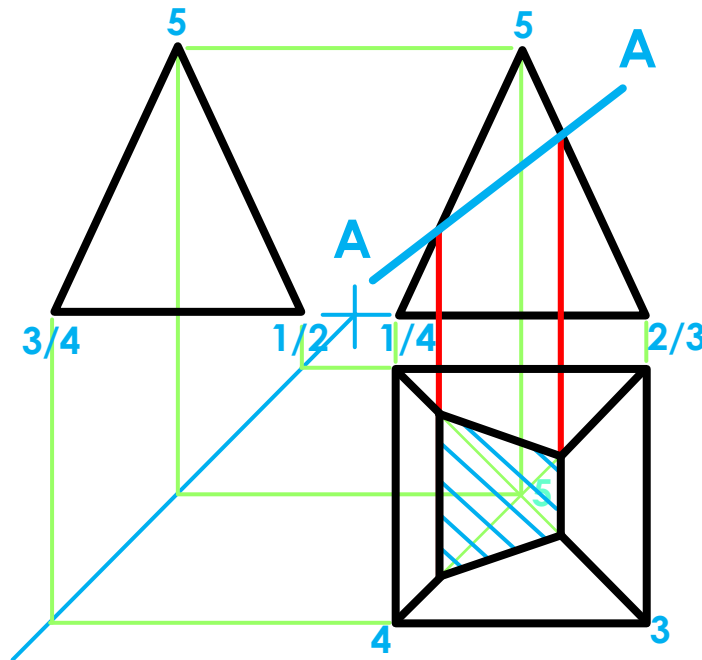
Given:

A regular square pyramid 60 mm high.

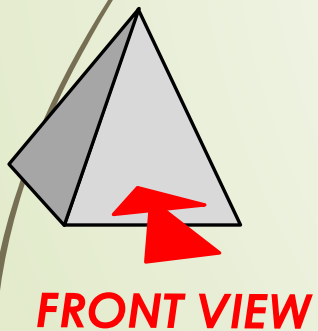
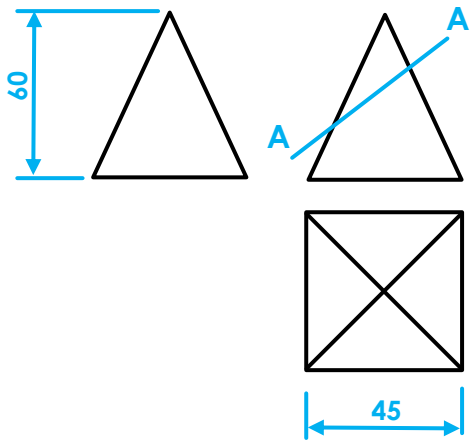
Question:

In F.A.O.P. draw...

1. A front view
2. A right view
3. **A sectioned top view**
4. Develop the surface of the solid



Application on polygons



Given:

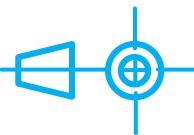
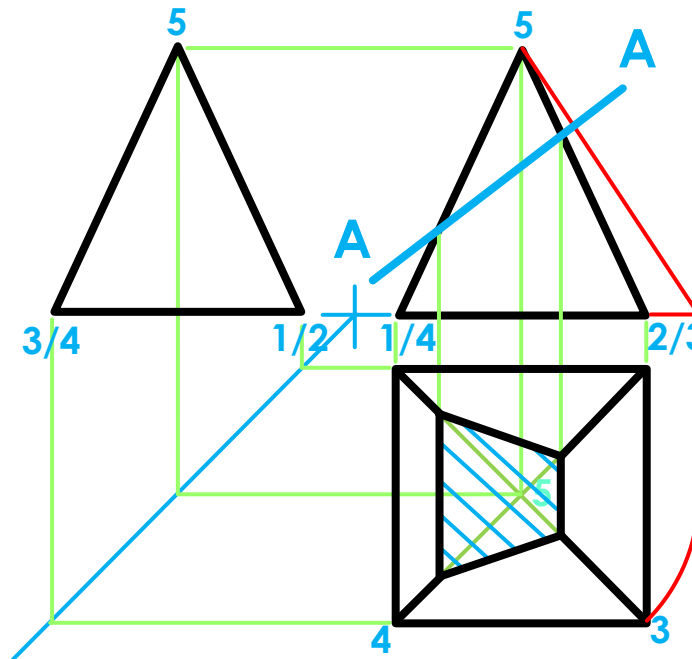
A regular square pyramid 60 mm high.

Question:

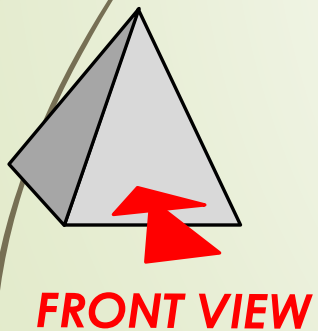
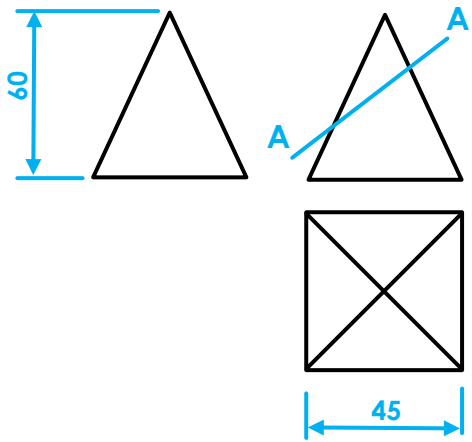
In F.A.O.P. draw...

1. A front view
2. A right view
3. A sectioned top view

4. Develop the surface of the solid



Application on polygons



Given:

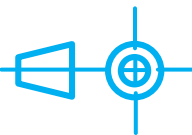
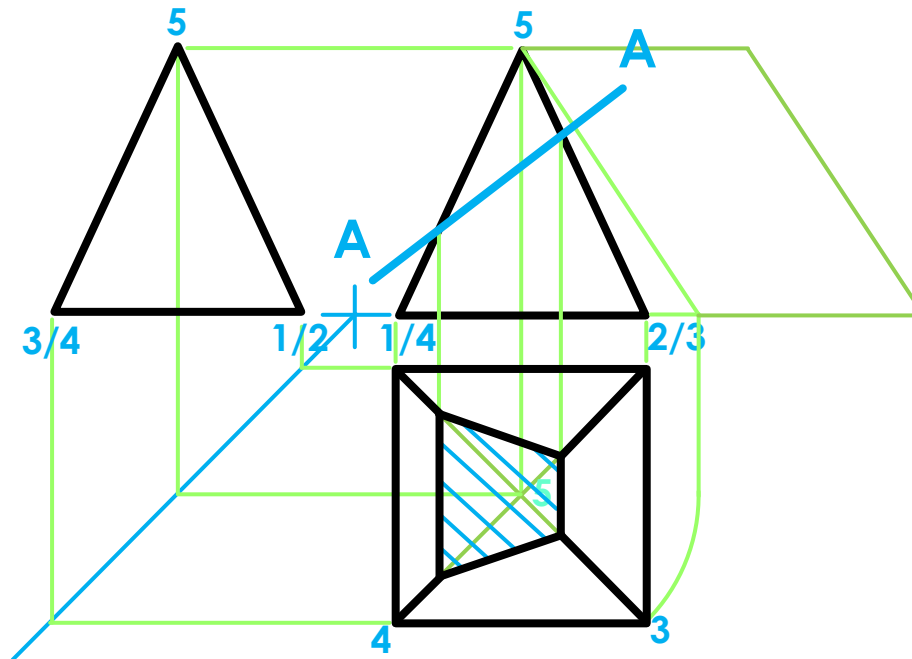
A regular square pyramid 60 mm high.

Question:

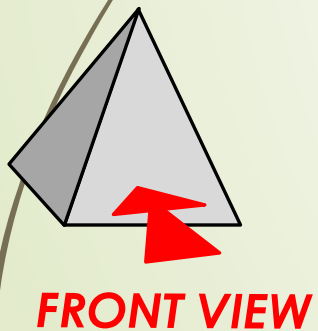
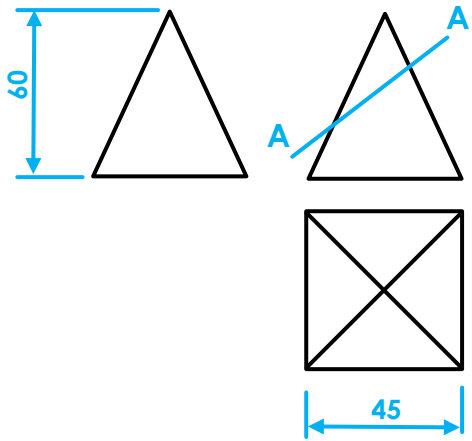
In F.A.O.P. draw...

1. A front view
2. A right view
3. A sectioned top view

4. Develop the surface of the solid



Application on polygons



Given:

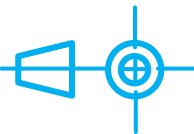
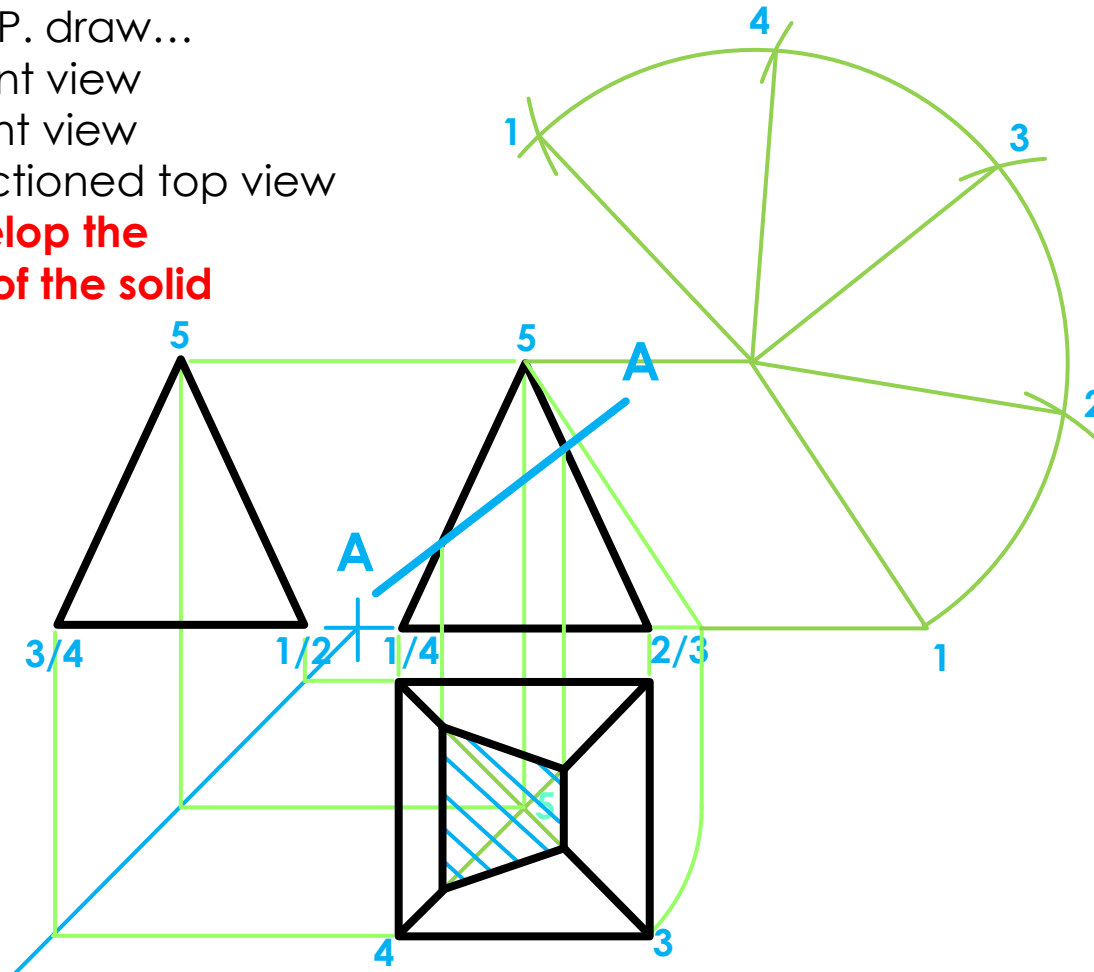
A regular square pyramid 60 mm high.

Question:

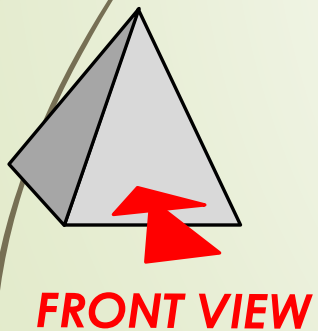
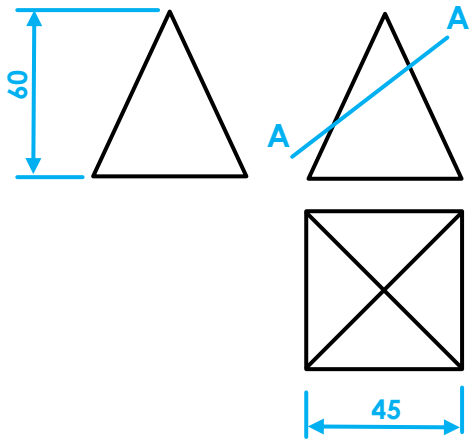
In F.A.O.P. draw...

1. A front view
2. A right view
3. A sectioned top view

4. Develop the surface of the solid



Application on polygons



Given:

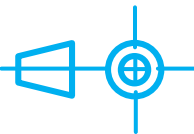
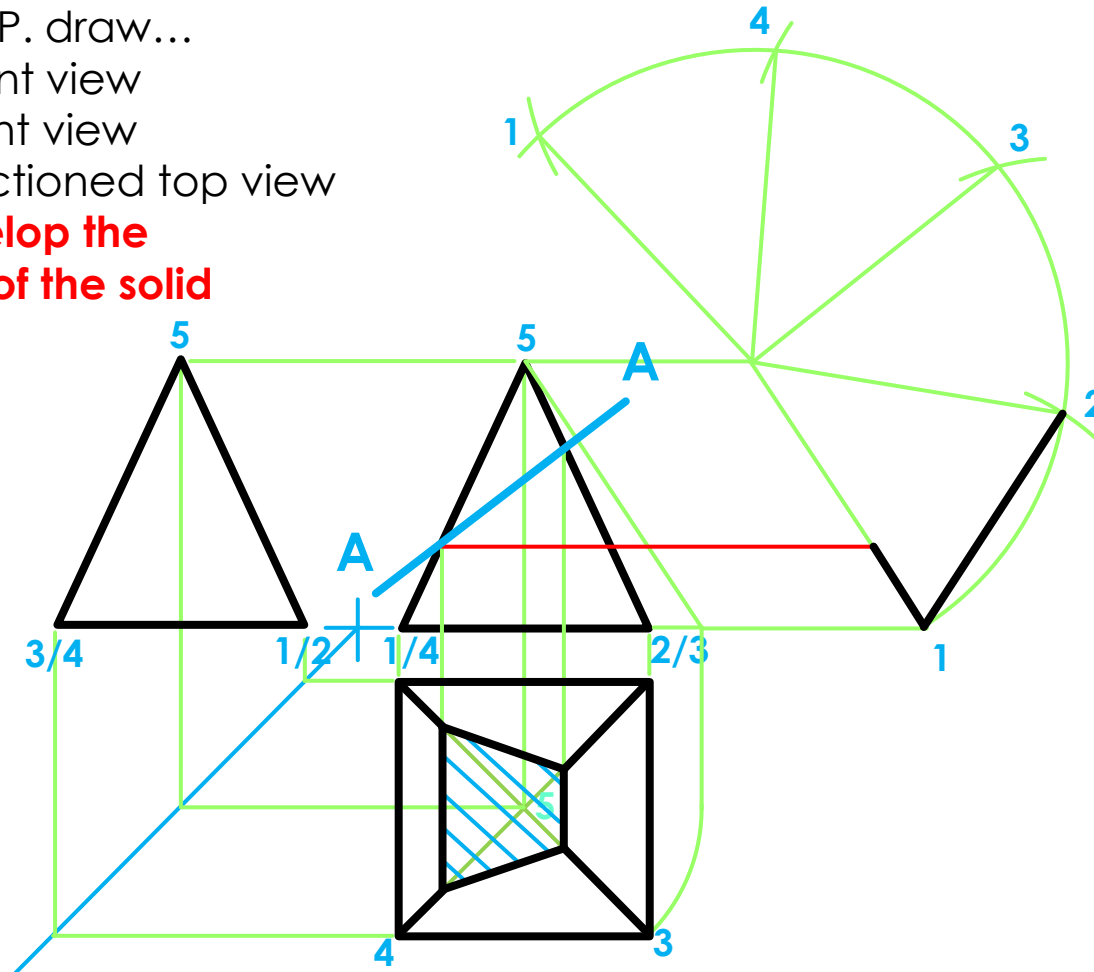
A regular square pyramid 60 mm high.

Question:

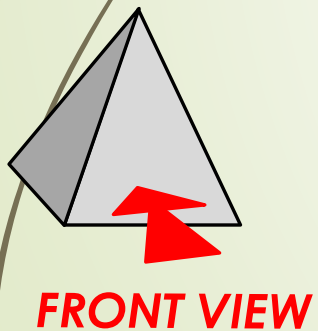
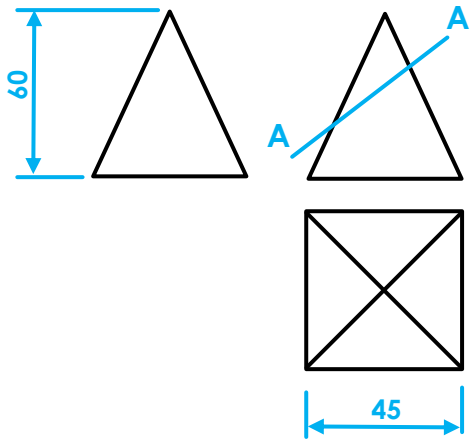
In F.A.O.P. draw...

1. A front view
2. A right view
3. A sectioned top view

4. Develop the surface of the solid



Application on polygons



Given:

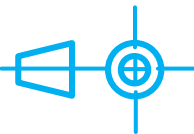
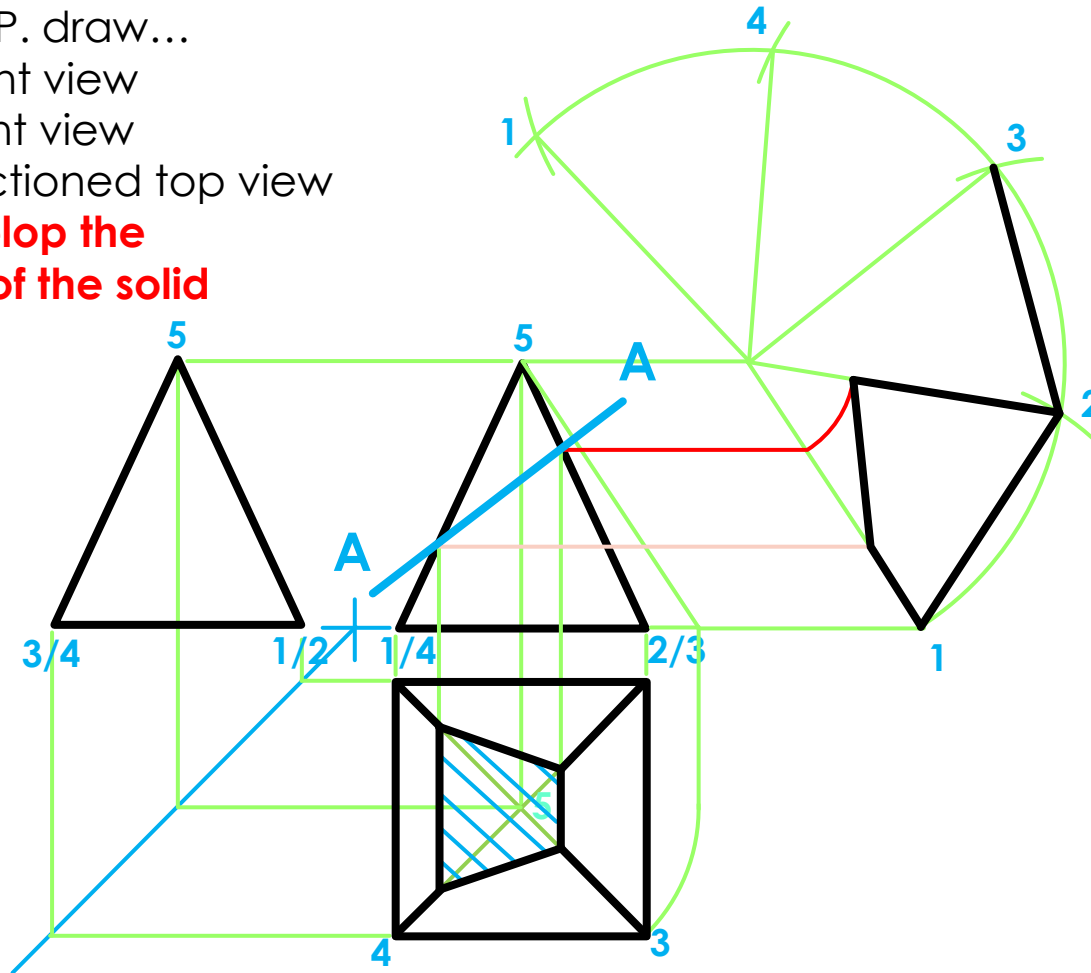
A regular square pyramid 60 mm high.

Question:

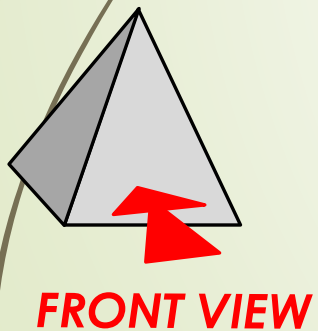
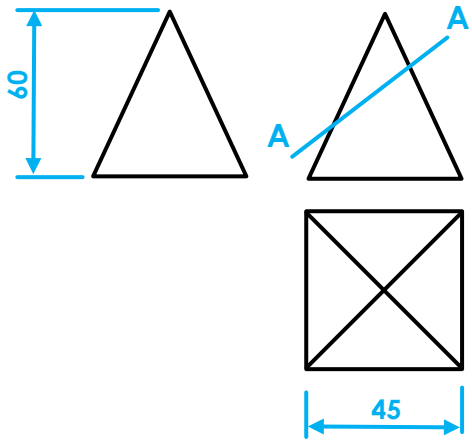
In F.A.O.P. draw...

1. A front view
2. A right view
3. A sectioned top view

4. Develop the surface of the solid



Application on polygons



Given:

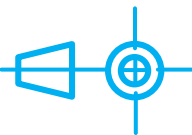
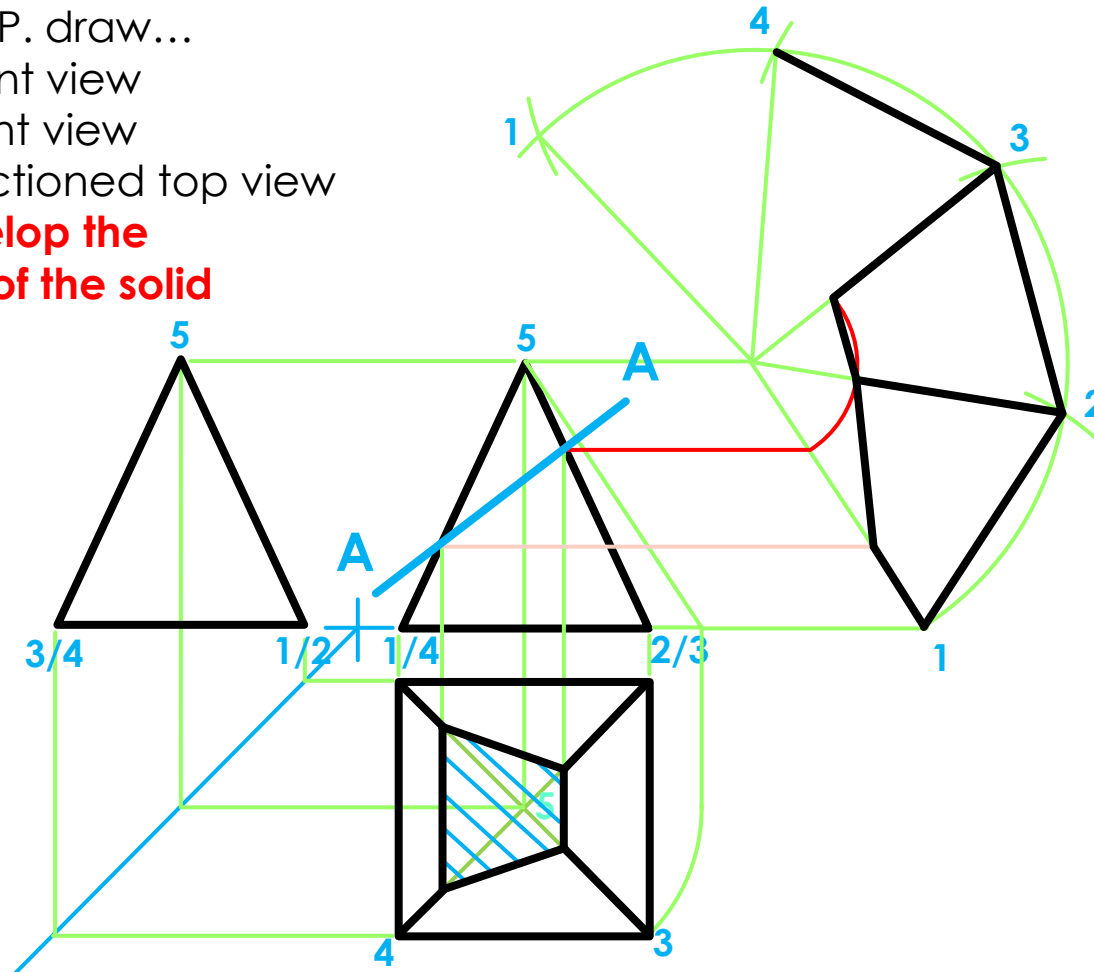
A regular square pyramid 60 mm high.

Question:

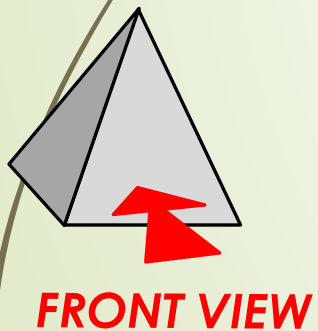
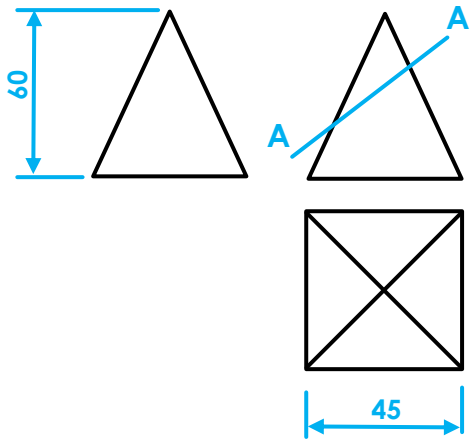
In F.A.O.P. draw...

1. A front view
2. A right view
3. A sectioned top view

4. Develop the surface of the solid



Application on polygons



Given:

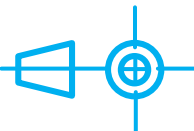
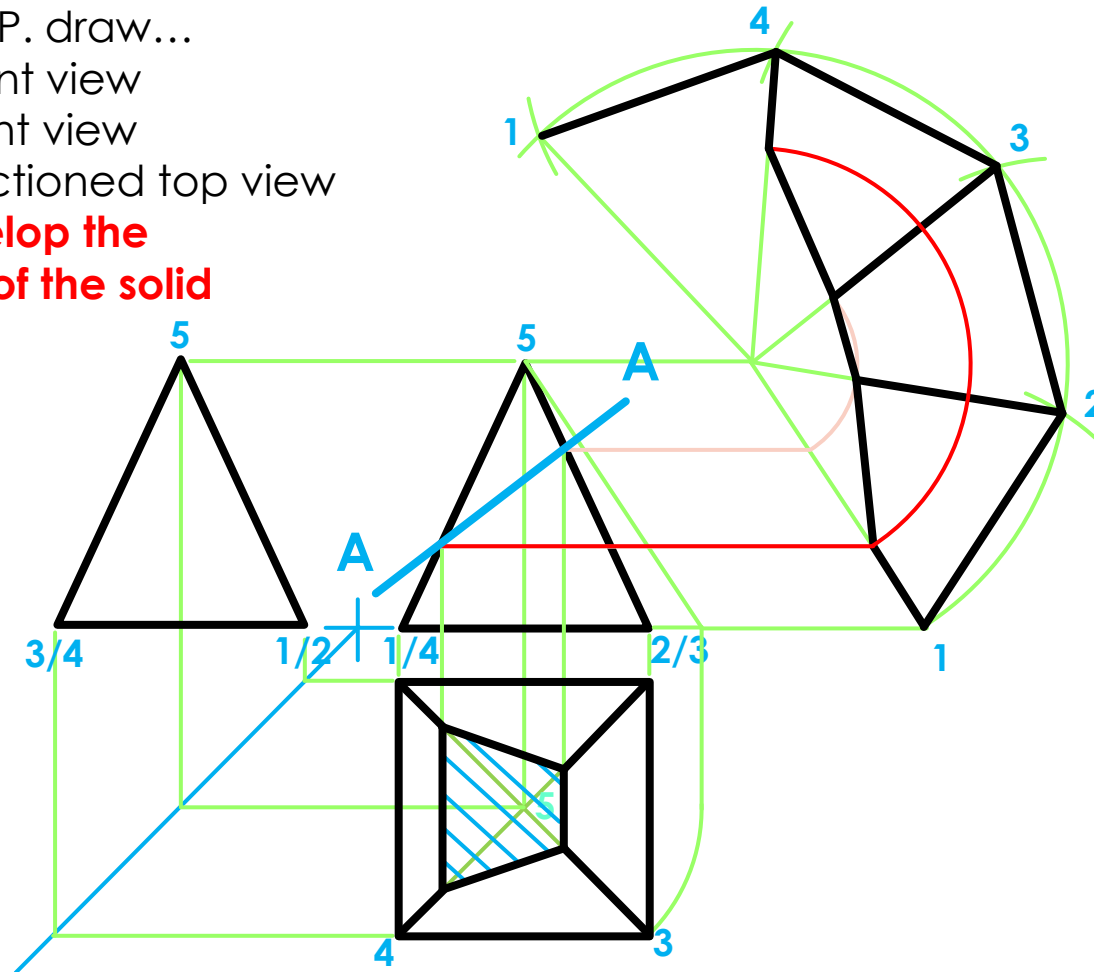
A regular square pyramid 60 mm high.

Question:

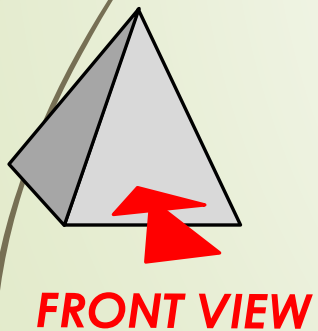
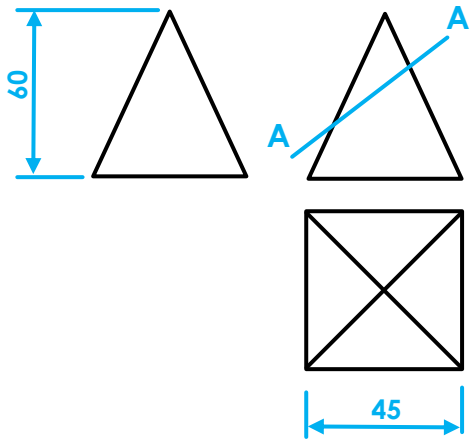
In F.A.O.P. draw...

1. A front view
2. A right view
3. A sectioned top view

4. Develop the surface of the solid



Application on polygons



Given:

A regular square pyramid 60 mm high.

Question:

In F.A.O.P. draw...

1. A front view
2. A right view
3. A sectioned top view

4. Develop the surface of the solid

