

STAPEL

QUESTION 2: SOLID GEOMETRY

Given:

The front view of an equilateral triangular prism casted on a right pentagonal pyramid
 The top view of the above mentioned
 The cutting plane A-A

Specification:

The solid is cut by the cutting plane A-A

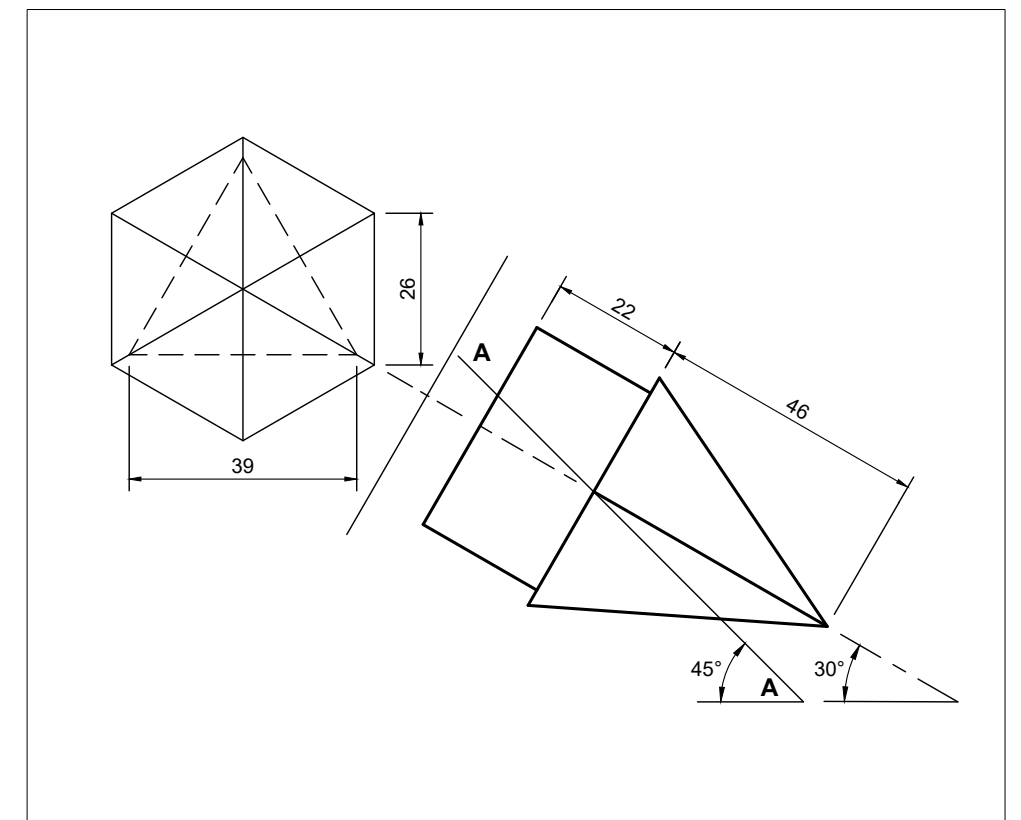
Instructions:

Draw, to scale 1 : 1, the following views of the solid:

- 2.1 The given front view
- 2.2 A top view
- 2.3 A sectional left view
- 2.4 The true shape of the cut surface

Note:

Planning is essential
 Show all construction lines
 Show all hidden detail



ASSESSMENT CRITERIA

1	AUXILIARY VIEW & FRONT VIEW ($\frac{16}{2}$)	8		
2	TOP VIEW ($\frac{20}{2}$)	10		
3	SECTIONAL LEFT VIEW ($\frac{24}{2}$)	12		
4	TRUE SHAPE ($\frac{12}{2}$)	6		
TOTAAL		36		



SOLID GEOMETRY

ESTIMATED TIME FOR COMPLETION
 YOUR TIME FOR COMPLETION

25 MIN
 MIN

GRADE
12

INITIALS &
 SURNAME

TASK
8.5

PAGE
25