

STAPEL

QUESTION 2: SOLID GEOMETRY

Given:

- The front view of a cone
- The auxiliary view of the cone
- The cutting plane A-A

Specification:

The solid is cut by the cutting plane A-A

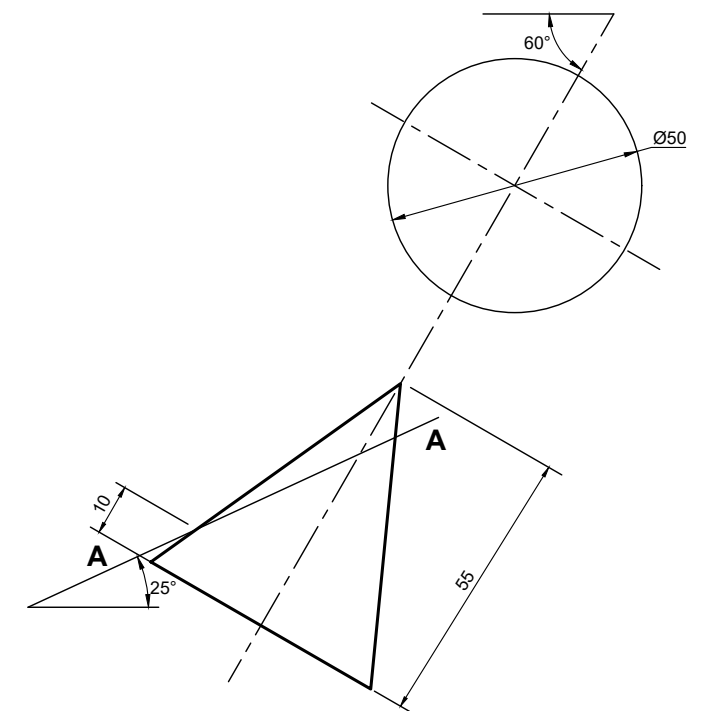
Instructions:

Draw, to scale 1 : 1, the following views of the solid:

- 2.1 The given front view
- 2.2 A sectioned top view
- 2.3 A sectional left view
- 2.4 The true shape of the cut surface

Note:

- Planning is essential
- Show all construction lines
- Show all hidden detail



ASSESSMENT CRITERIA			
1	AUXILIARY VIEW & FRONT VIEW ($\frac{16}{2}$)	8	
2	TOP VIEW ($\frac{27}{2}$)	13.5	
3	SECTIONAL LEFT VIEW ($\frac{27}{2}$)	13.5	
4	TRUE SHAPE ($\frac{16}{2}$)	8	
TOTAAL		43	



SOLID GEOMETRY	ESTIMATED TIME FOR COMPLETION	35 MIN	GRADE	INITIALS & SURNAME		TASK	PAGE
	YOUR TIME FOR COMPLETION	MIN					