

Interpenetrations

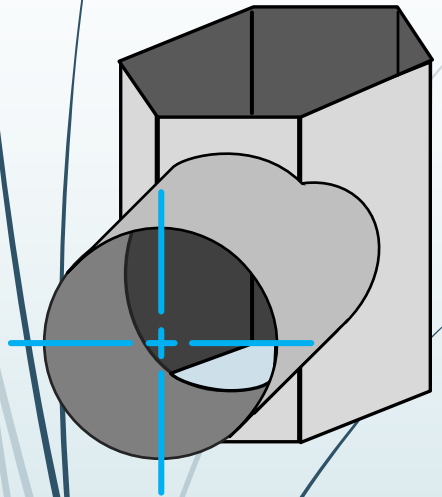
EGD Grade 11 & 12 (Revision)

Developed by: PC Viljoen

Senior Educational Specialist for
Engineering Graphics and Design

Free State Province

Interpenetrations



Question 2: Interpenetration

Given:

* The incomplete front view and top view of an cylinder branch that has to fit around a hexagonal prism. The axes of both solid bodies lie in a common vertical plane

* An auxiliary view of the cylinder

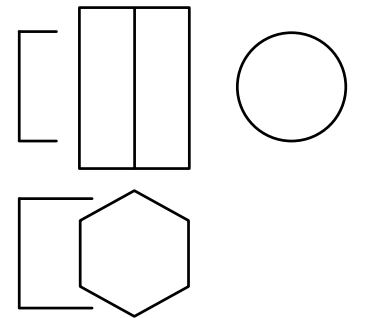
Instructions:

Draw, to scale 1:1, the following:

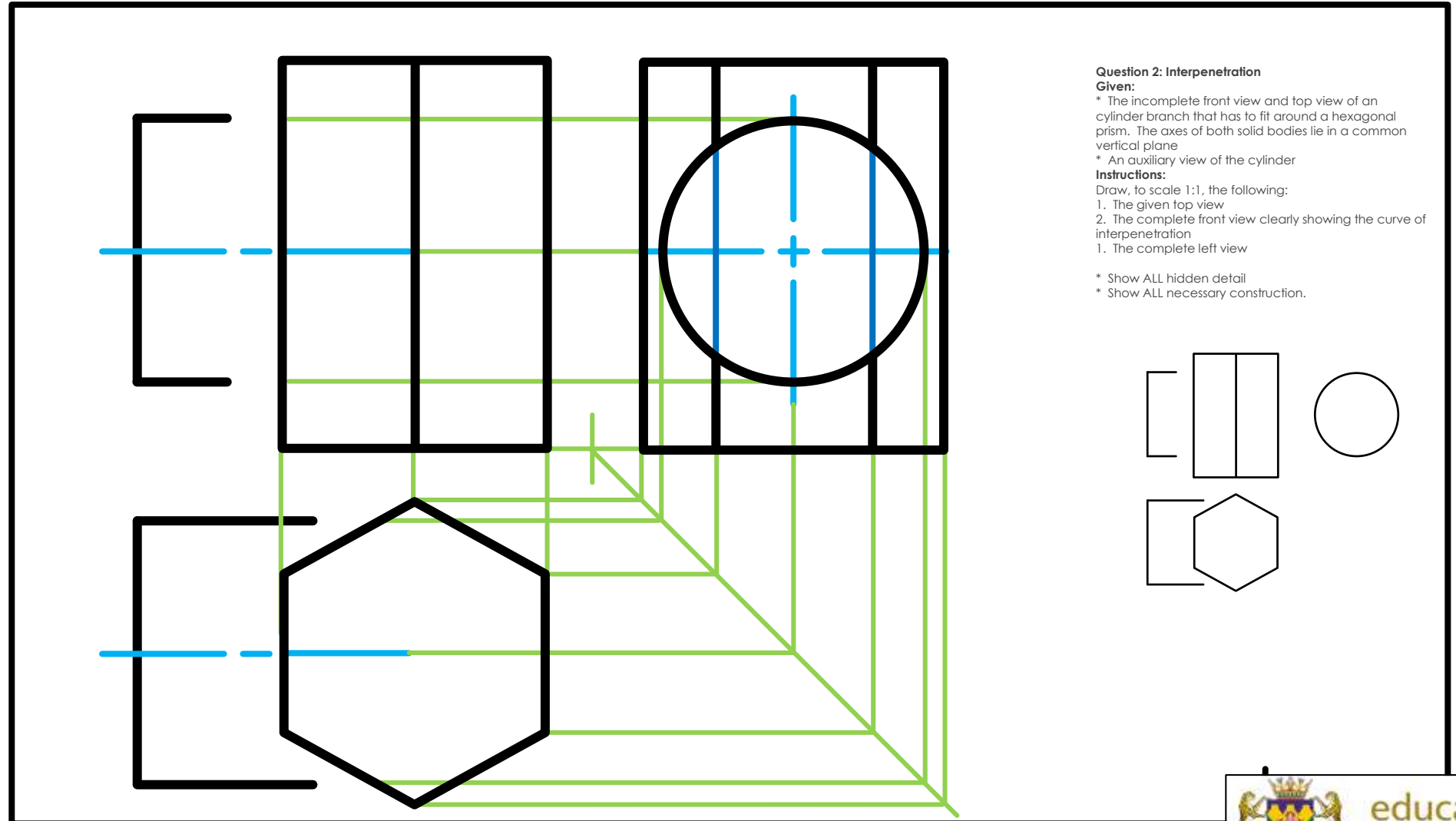
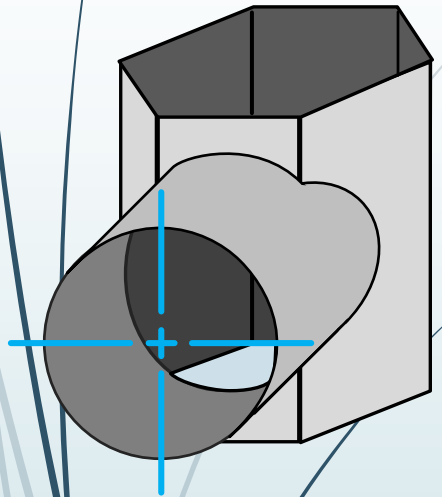
1. The given top view
2. The complete front view clearly showing the curve of interpenetration
1. The complete left view

* Show ALL hidden detail

* Show ALL necessary construction.



Interpenetrations



Question 2: Interpenetration

Given:

* The incomplete front view and top view of an cylinder branch that has to fit around a hexagonal prism. The axes of both solid bodies lie in a common vertical plane

* An auxiliary view of the cylinder

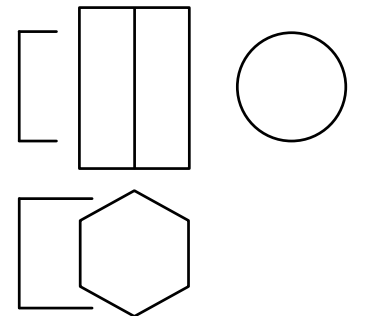
Instructions:

Draw, to scale 1:1, the following:

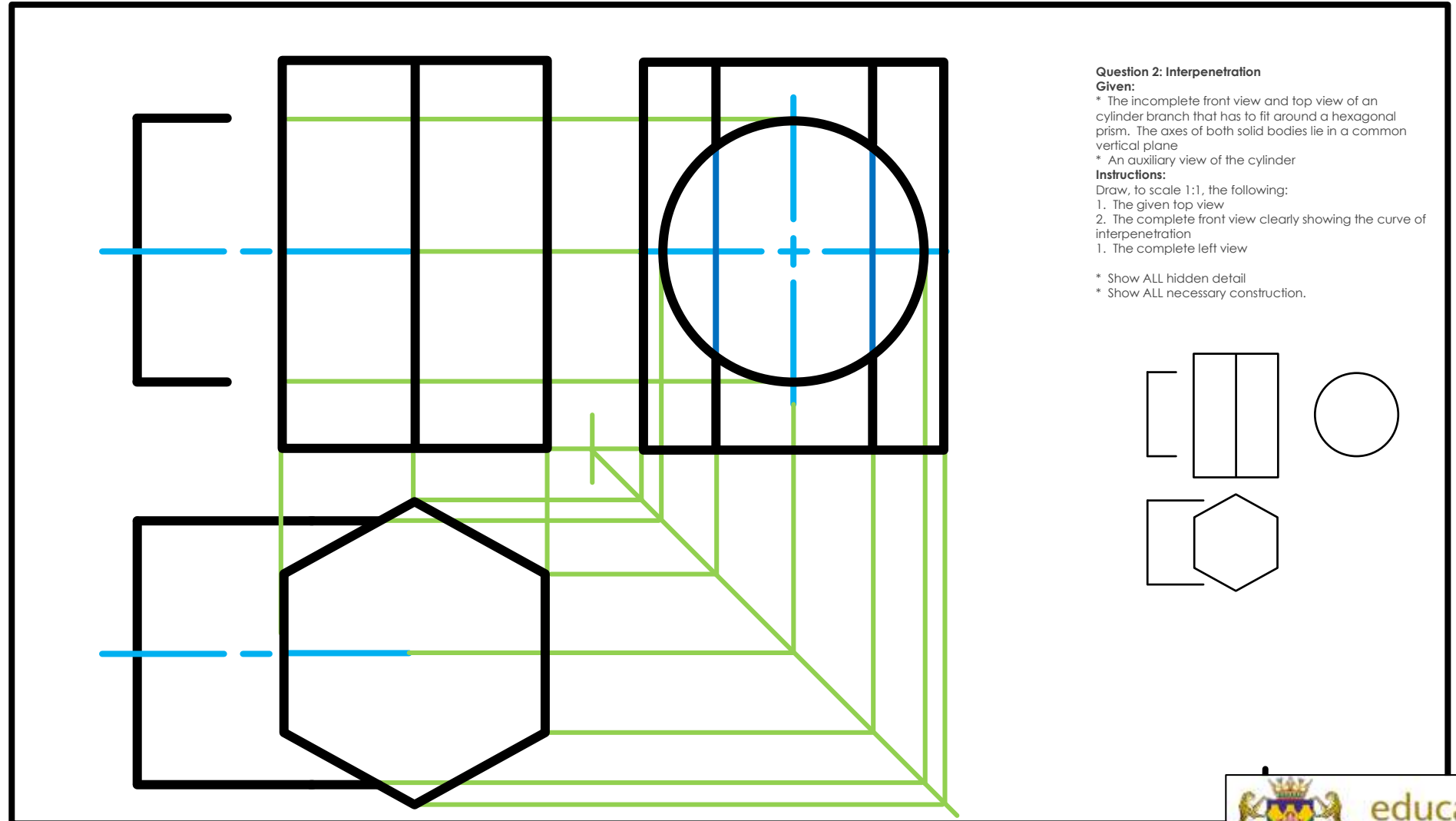
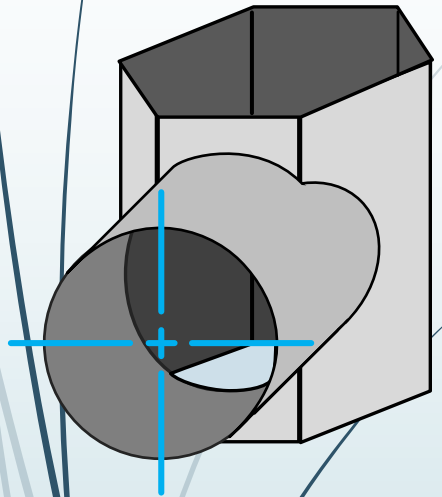
1. The given top view
2. The complete front view clearly showing the curve of interpenetration
1. The complete left view

* Show ALL hidden detail

* Show ALL necessary construction.



Interpenetrations



Question 2: Interpenetration

Given:

* The incomplete front view and top view of an cylinder branch that has to fit around a hexagonal prism. The axes of both solid bodies lie in a common vertical plane

* An auxiliary view of the cylinder

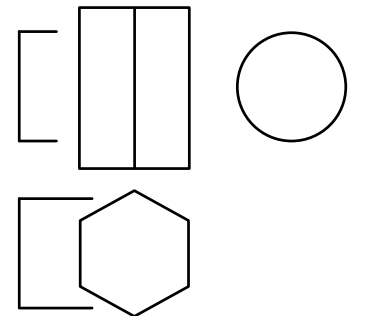
Instructions:

Draw, to scale 1:1, the following:

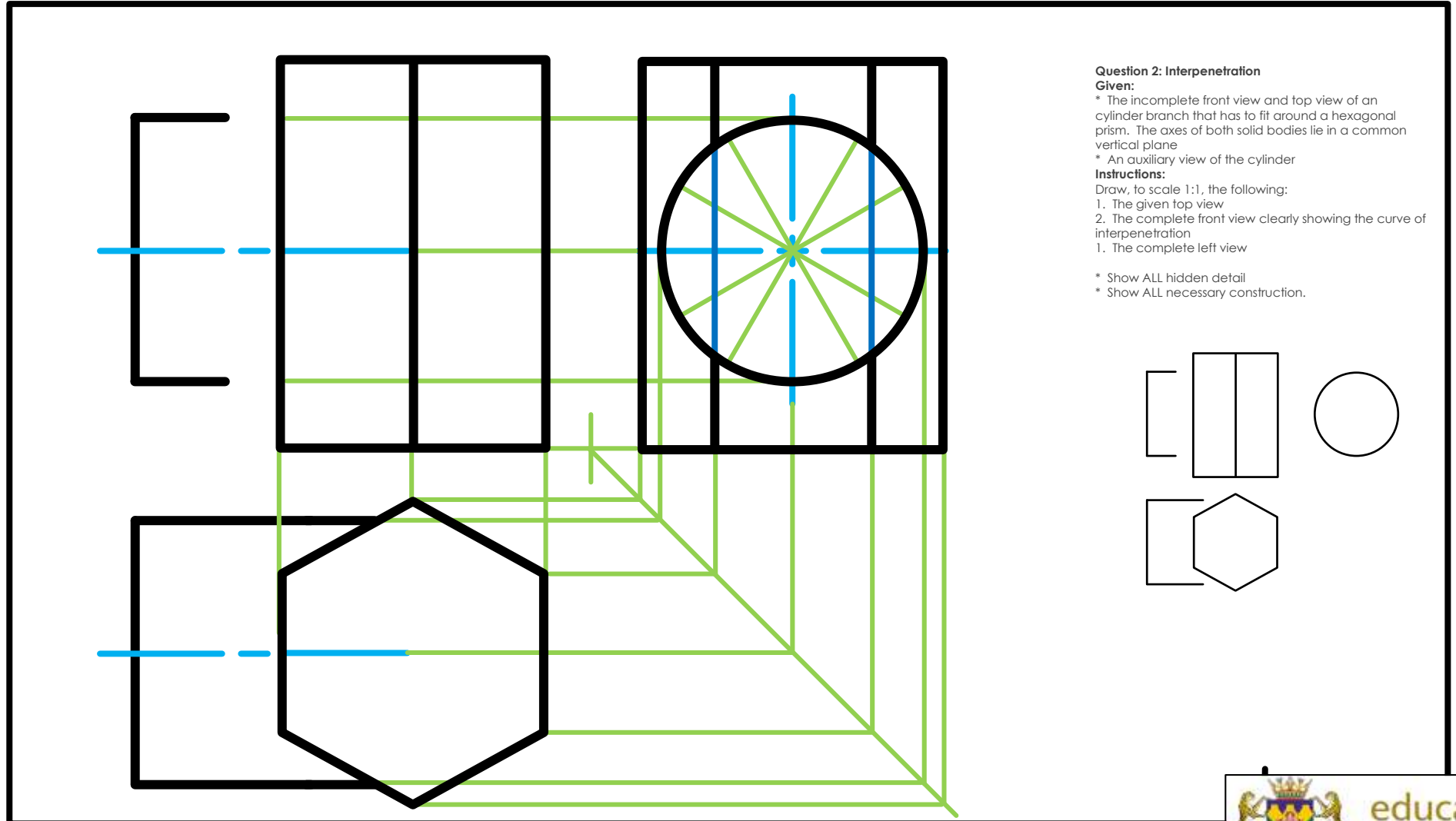
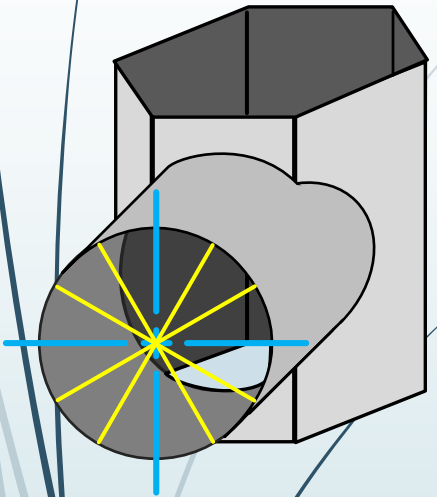
1. The given top view
2. The complete front view clearly showing the curve of interpenetration
1. The complete left view

* Show ALL hidden detail

* Show ALL necessary construction.



Interpenetrations



Question 2: Interpenetration

Given:

* The incomplete front view and top view of an cylinder branch that has to fit around a hexagonal prism. The axes of both solid bodies lie in a common vertical plane

* An auxiliary view of the cylinder

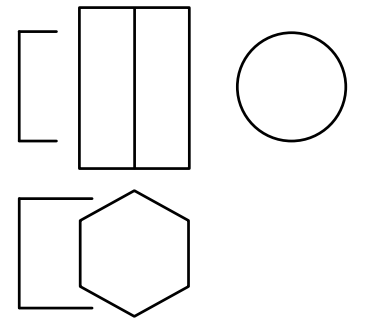
Instructions:

Draw, to scale 1:1, the following:

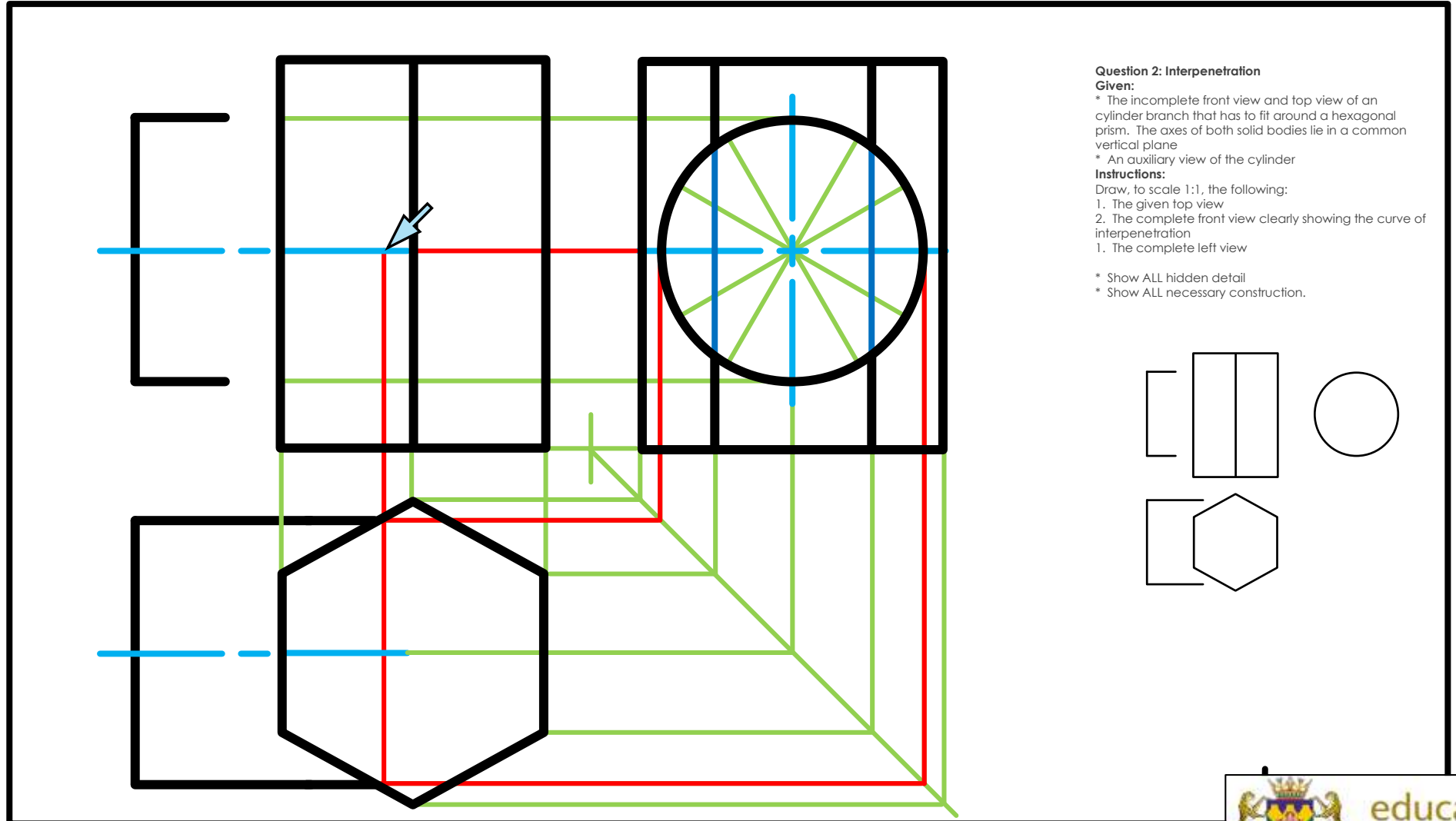
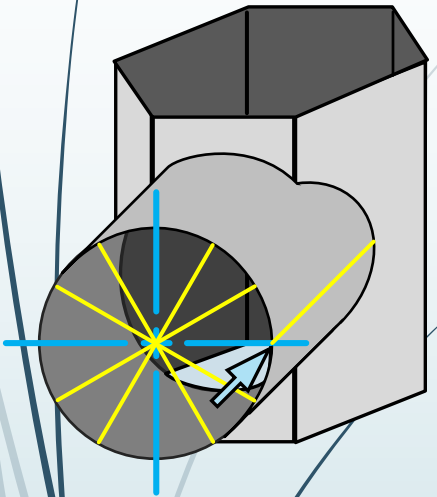
1. The given top view
2. The complete front view clearly showing the curve of interpenetration
1. The complete left view

* Show ALL hidden detail

* Show ALL necessary construction.



Interpenetrations



Question 2: Interpenetration

Given:

* The incomplete front view and top view of an cylinder branch that has to fit around a hexagonal prism. The axes of both solid bodies lie in a common vertical plane

* An auxiliary view of the cylinder

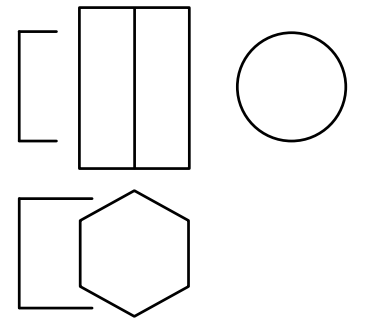
Instructions:

Draw, to scale 1:1, the following:

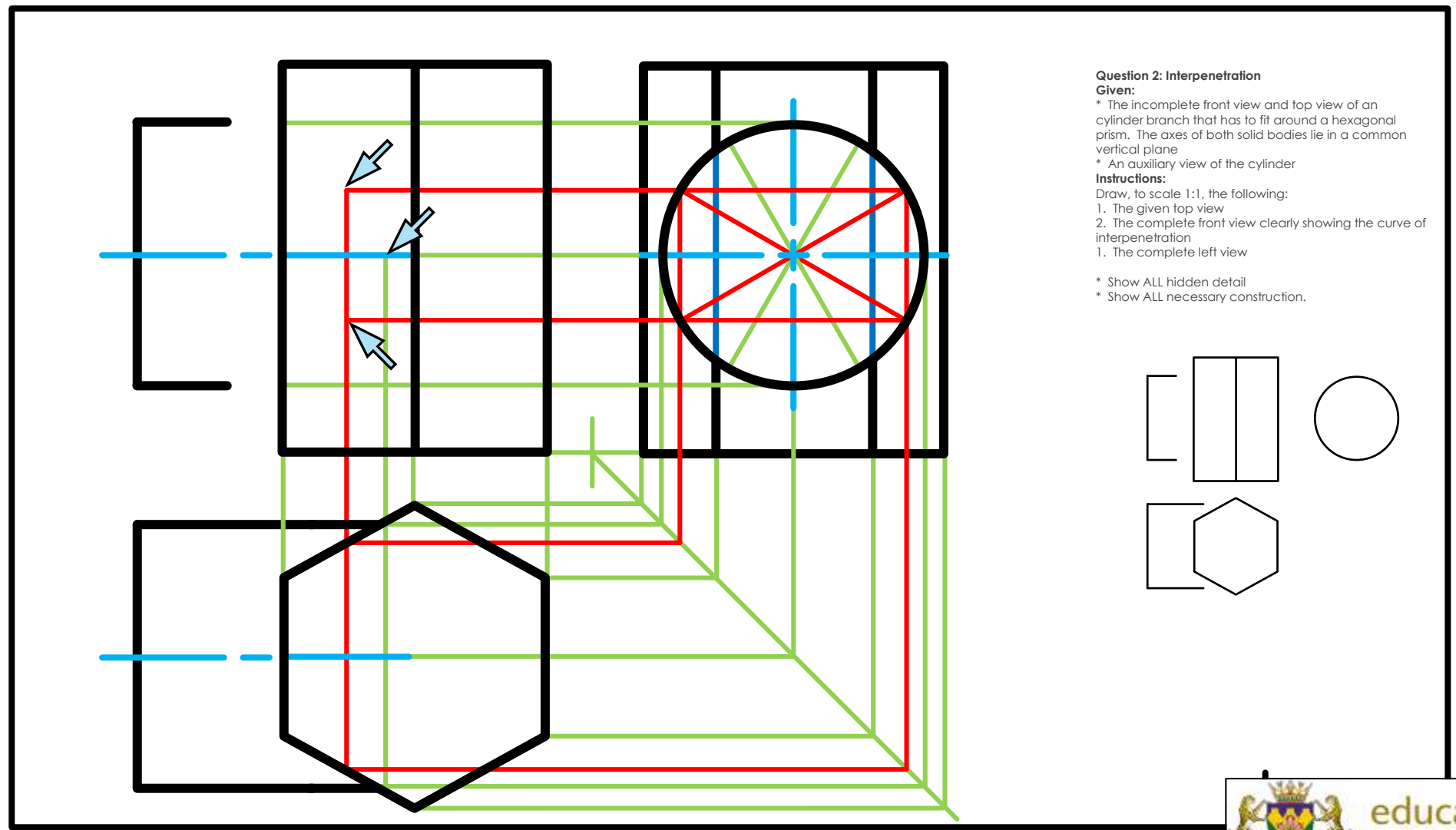
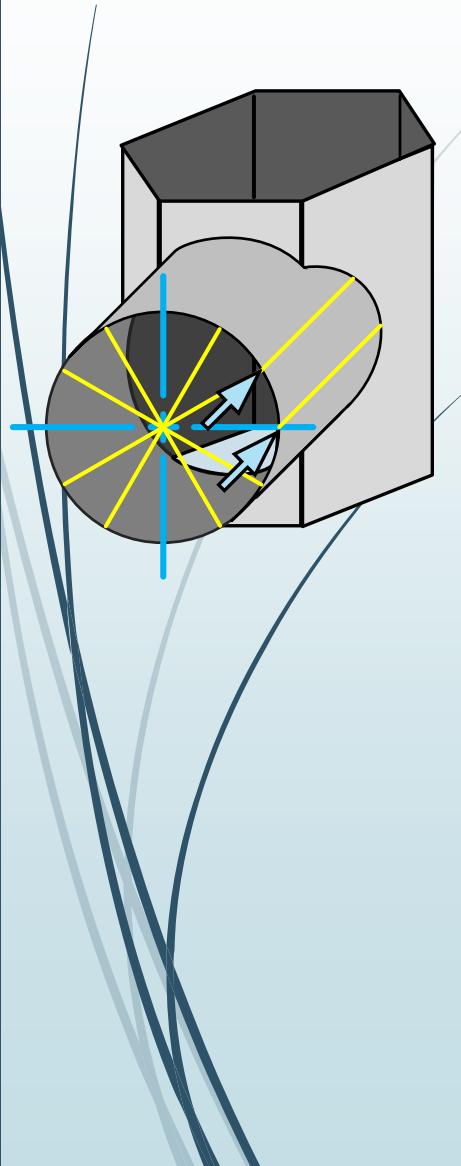
1. The given top view
2. The complete front view clearly showing the curve of interpenetration
1. The complete left view

* Show ALL hidden detail

* Show ALL necessary construction.



Interpenetrations

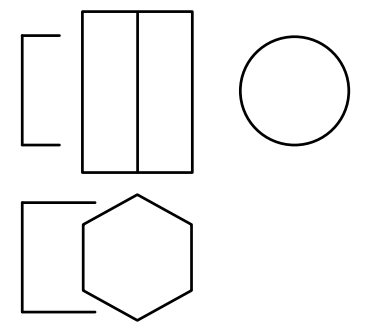


Question 2: Interpenetration

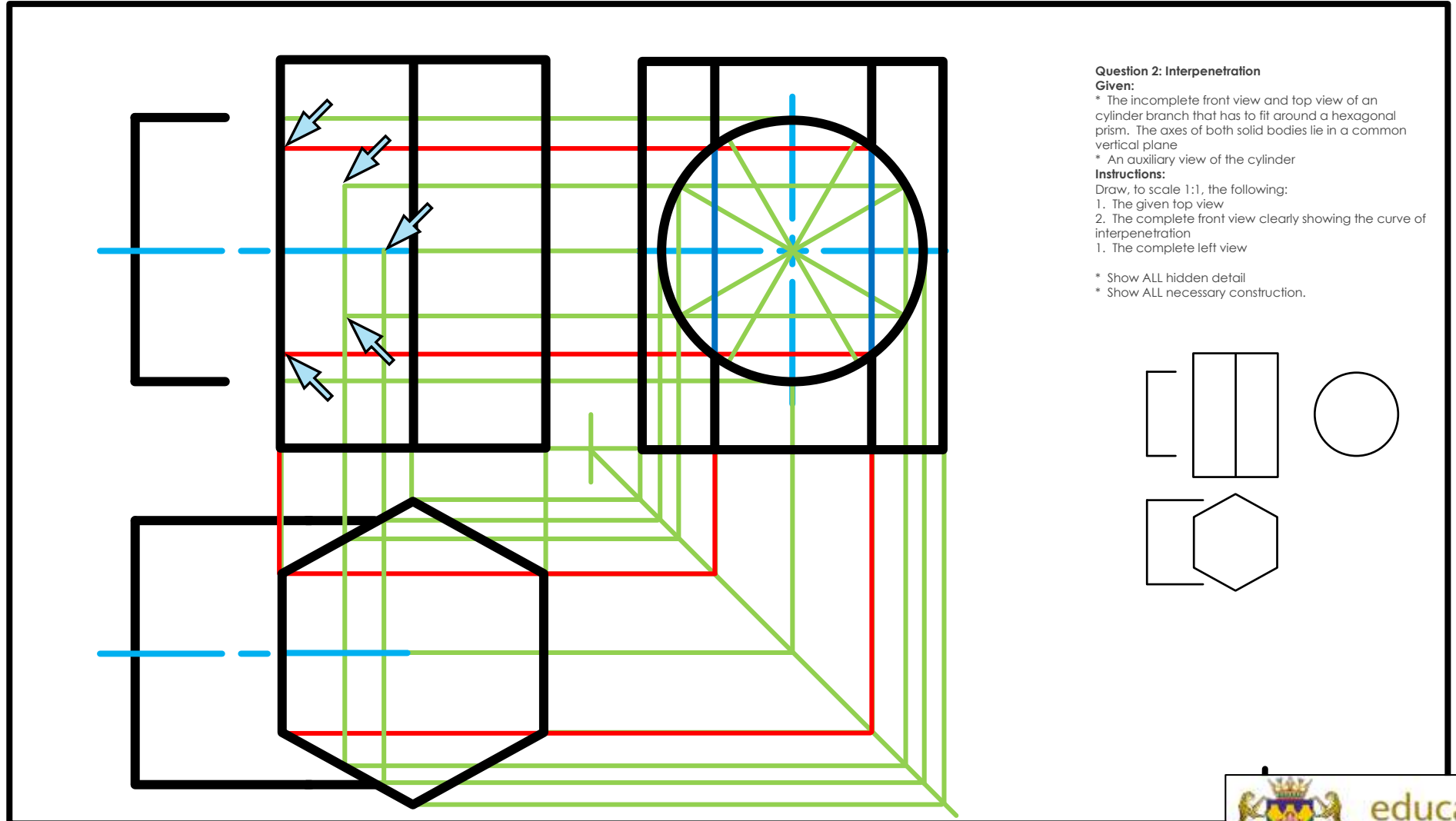
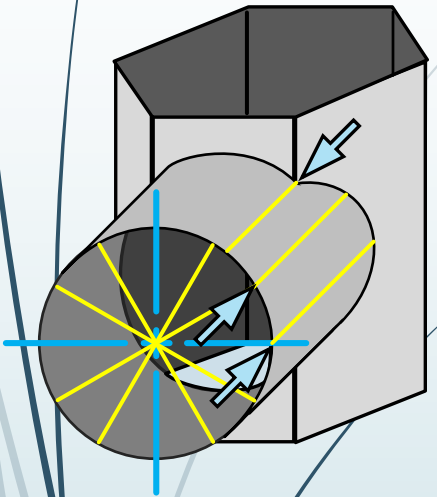
Given:
 * The incomplete front view and top view of an cylinder branch that has to fit around a hexagonal prism. The axes of both solid bodies lie in a common vertical plane
 * An auxiliary view of the cylinder

Instructions:
 Draw, to scale 1:1, the following:
 1. The given top view
 2. The complete front view clearly showing the curve of interpenetration
 1. The complete left view

* Show ALL hidden detail
 * Show ALL necessary construction.



Interpenetrations



Question 2: Interpenetration

Given:

* The incomplete front view and top view of an cylinder branch that has to fit around a hexagonal prism. The axes of both solid bodies lie in a common vertical plane

* An auxiliary view of the cylinder

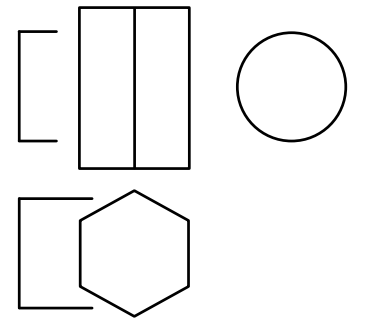
Instructions:

Draw, to scale 1:1, the following:

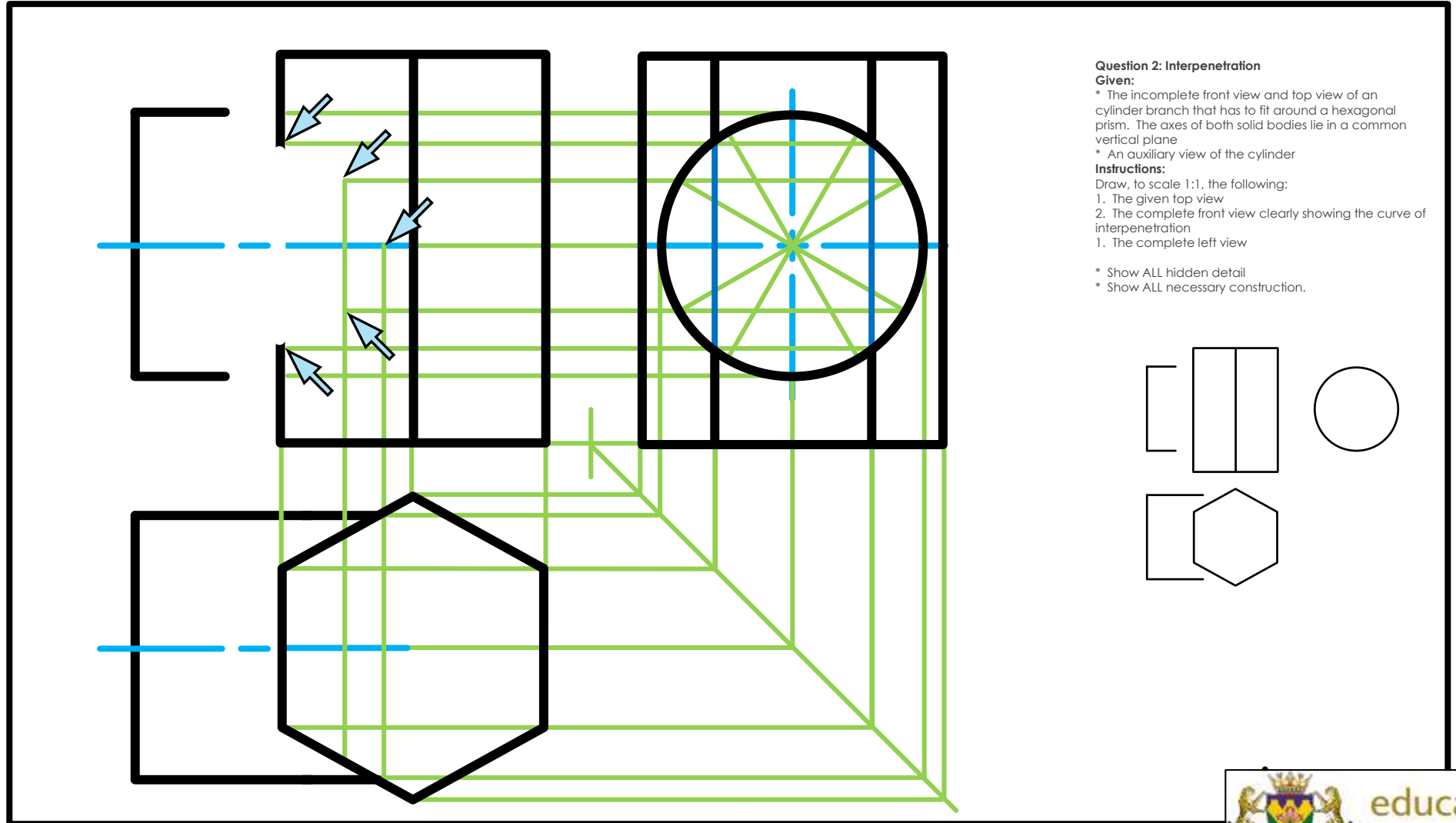
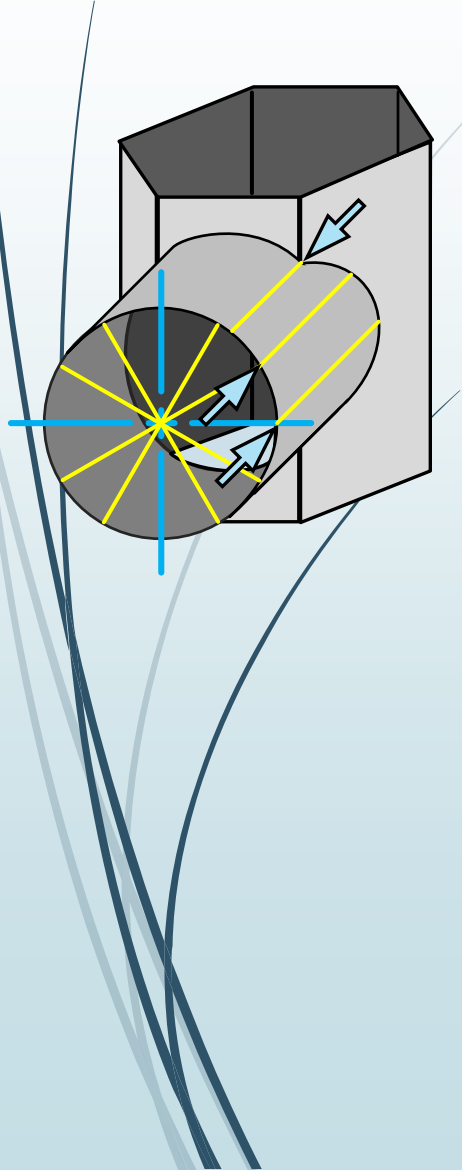
1. The given top view
2. The complete front view clearly showing the curve of interpenetration
1. The complete left view

* Show ALL hidden detail

* Show ALL necessary construction.



Interpenetrations



Question 2: Interpenetration

Given:

* The incomplete front view and top view of an cylinder branch that has to fit around a hexagonal prism. The axes of both solid bodies lie in a common vertical plane

* An auxiliary view of the cylinder

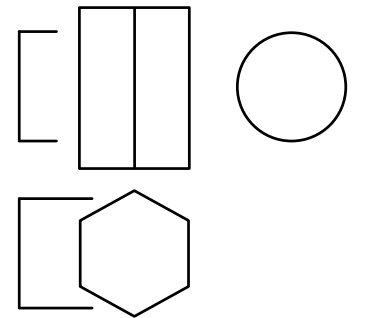
Instructions:

Draw, to scale 1:1, the following:

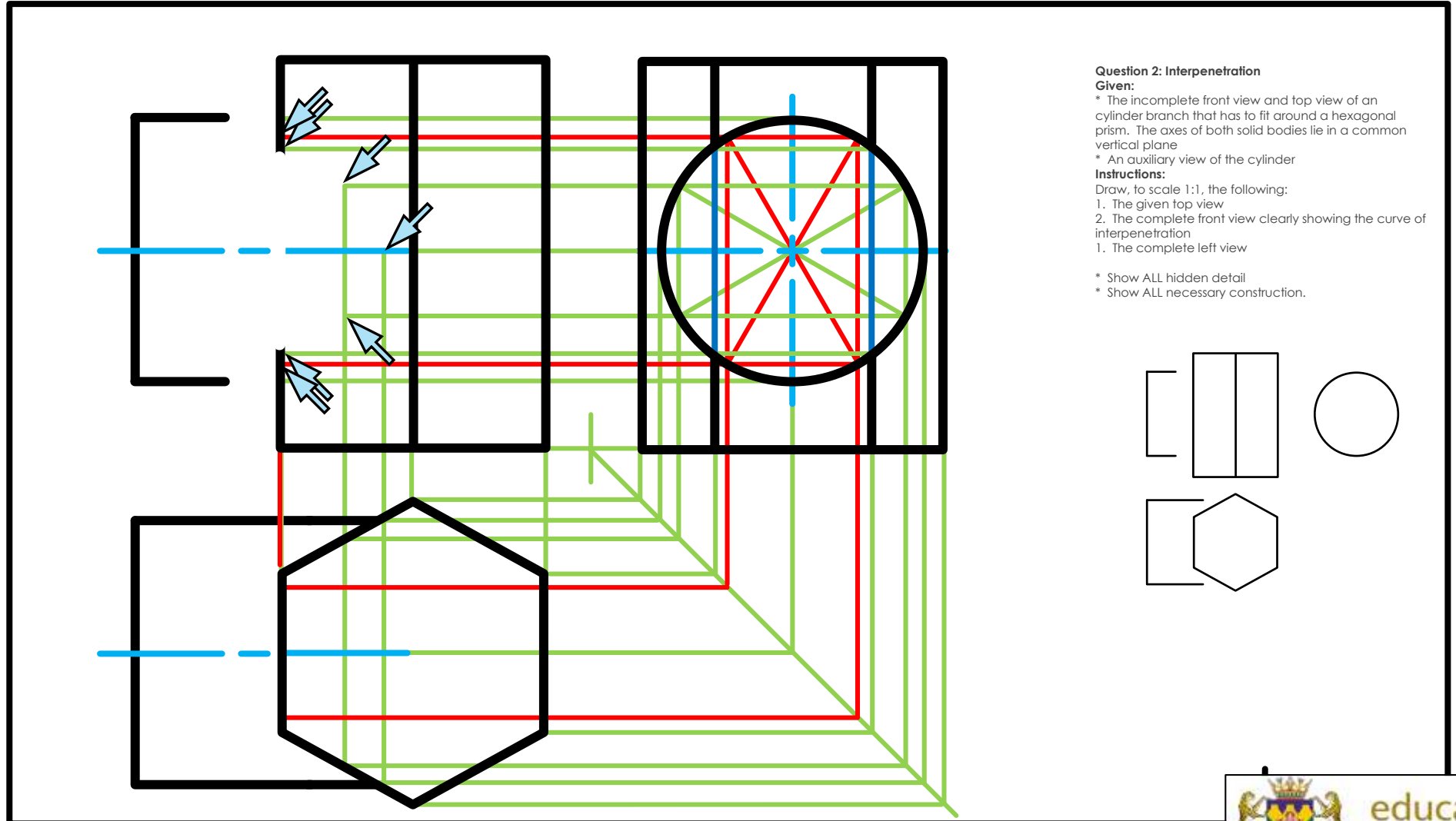
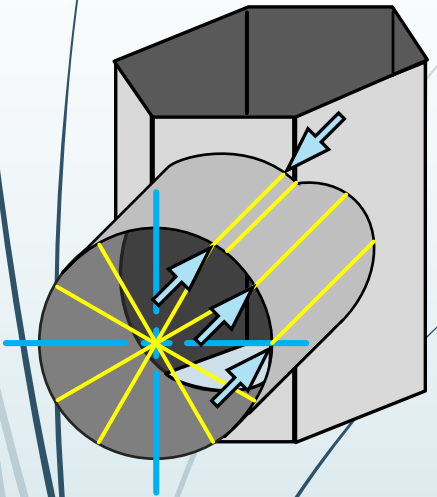
1. The given top view
2. The complete front view clearly showing the curve of interpenetration
1. The complete left view

* Show ALL hidden detail

* Show ALL necessary construction.



Interpenetrations



Question 2: Interpenetration

Given:

* The incomplete front view and top view of an cylinder branch that has to fit around a hexagonal prism. The axes of both solid bodies lie in a common vertical plane

* An auxiliary view of the cylinder

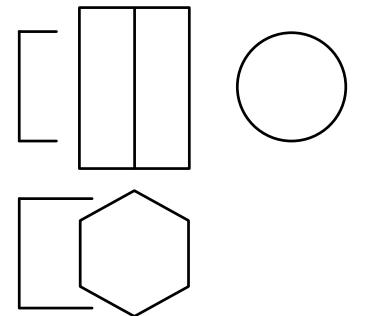
Instructions:

Draw, to scale 1:1, the following:

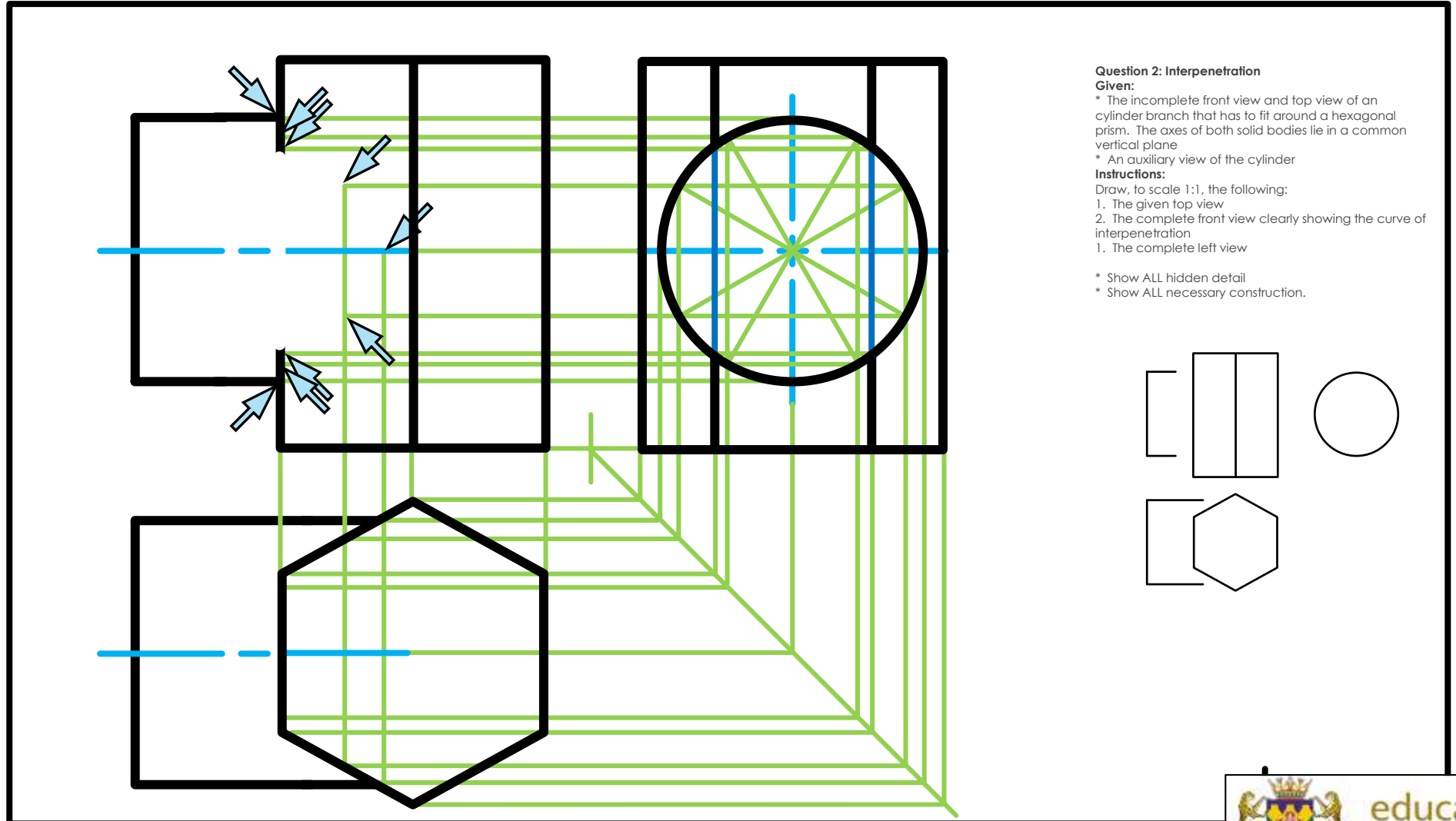
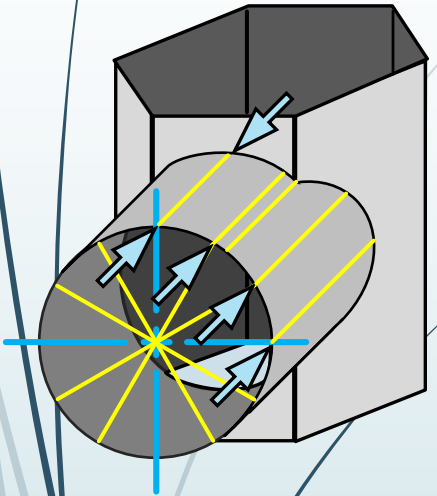
1. The given top view
2. The complete front view clearly showing the curve of interpenetration
1. The complete left view

* Show ALL hidden detail

* Show ALL necessary construction.



Interpenetrations



Question 2: Interpenetration

Given:

* The incomplete front view and top view of an cylinder branch that has to fit around a hexagonal prism. The axes of both solid bodies lie in a common vertical plane

* An auxiliary view of the cylinder

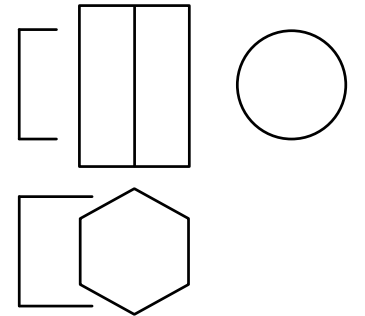
Instructions:

Draw, to scale 1:1, the following:

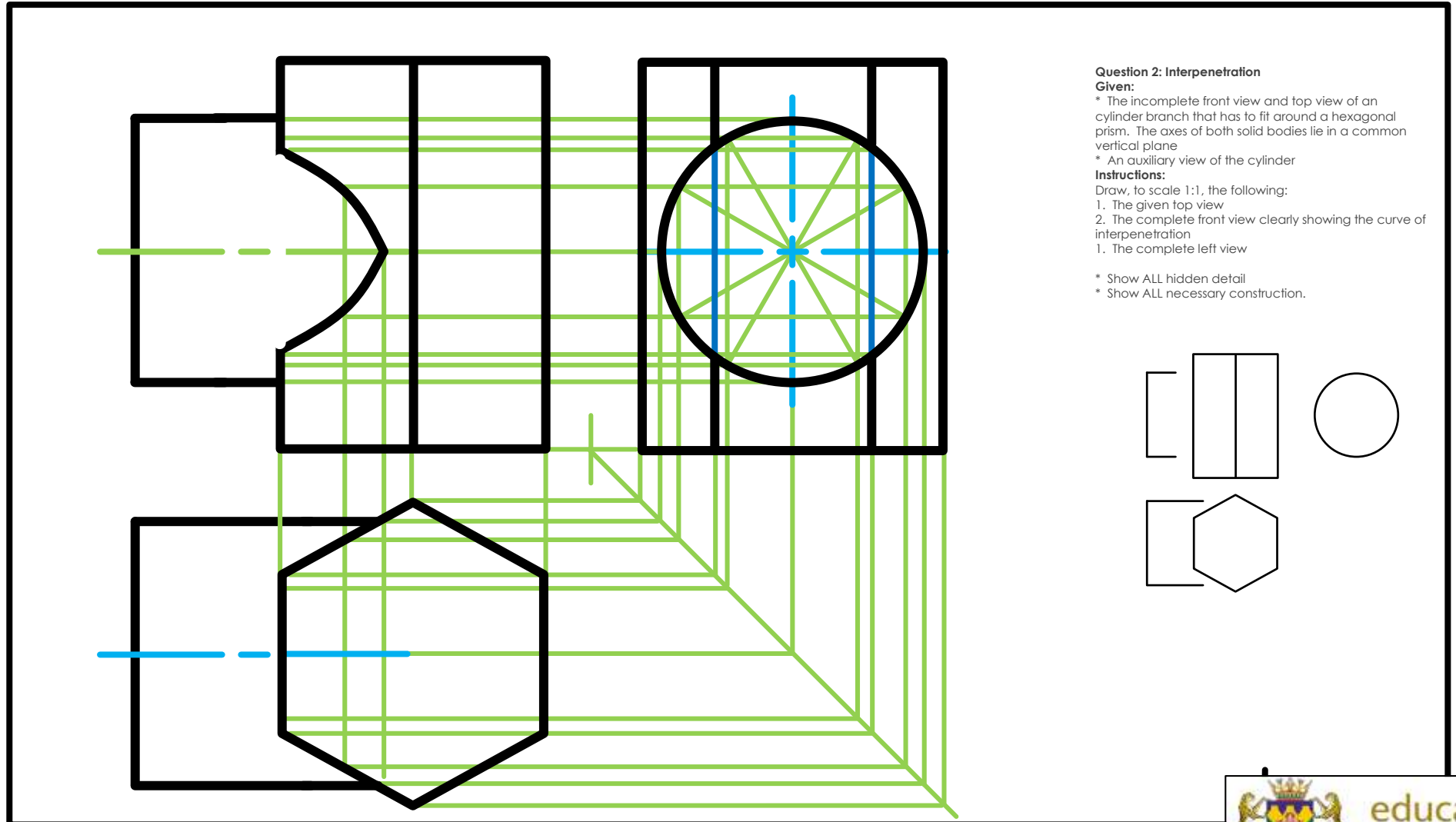
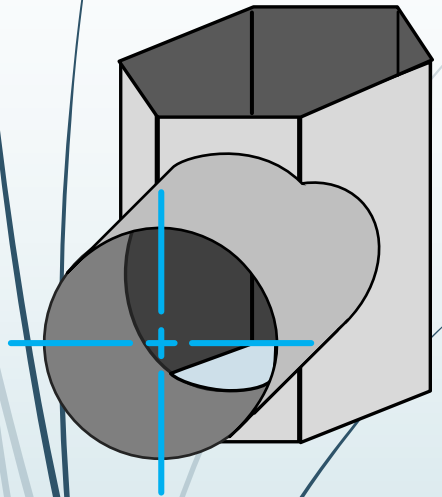
1. The given top view
2. The complete front view clearly showing the curve of interpenetration
1. The complete left view

* Show ALL hidden detail

* Show ALL necessary construction.



Interpenetrations



Question 2: Interpenetration

Given:

* The incomplete front view and top view of an cylinder branch that has to fit around a hexagonal prism. The axes of both solid bodies lie in a common vertical plane

* An auxiliary view of the cylinder

Instructions:

Draw, to scale 1:1, the following:

1. The given top view
2. The complete front view clearly showing the curve of interpenetration
1. The complete left view

* Show ALL hidden detail

* Show ALL necessary construction.

