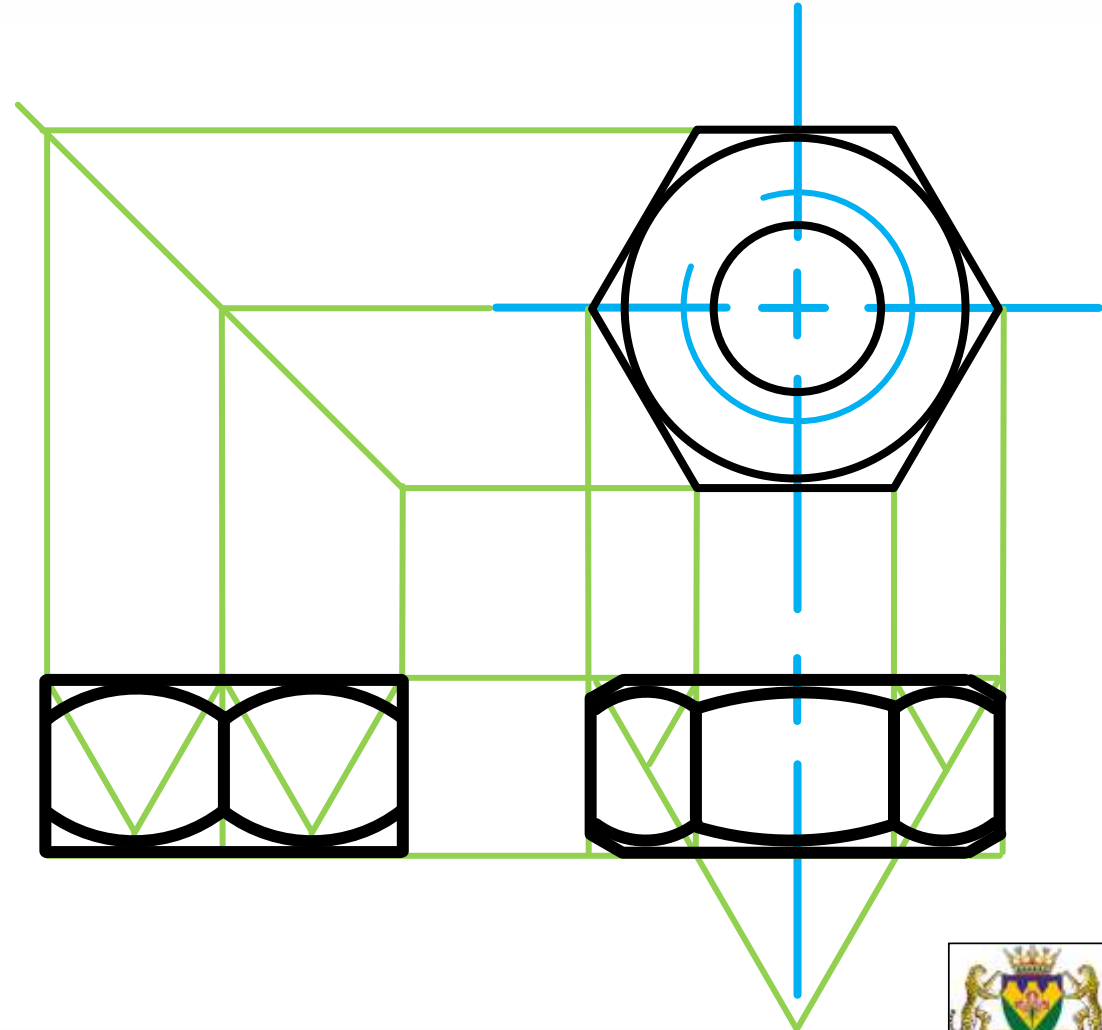


Principles of Mechanical Drawings – PRESENTATION OF COMMON FEATURES

Developed by: PC Viljoen
Senior Educational Specialist for
Engineering Graphics and Design
Free State Province

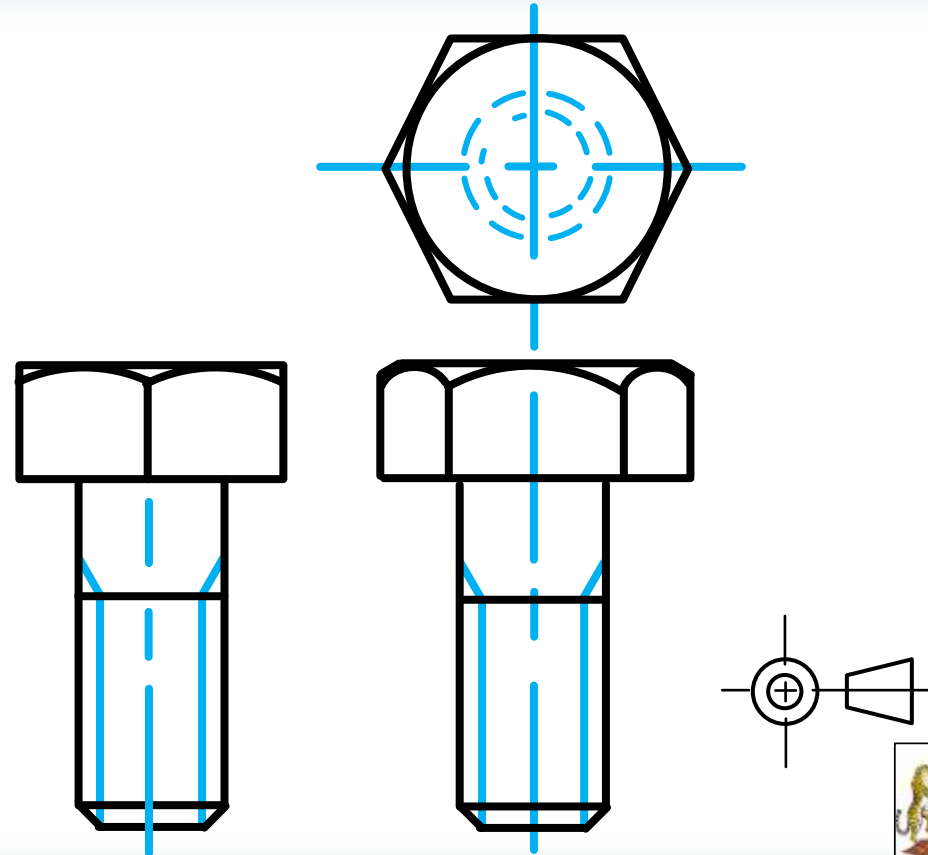
Presentation of Common Features

- The conventional representation of a **nut**.



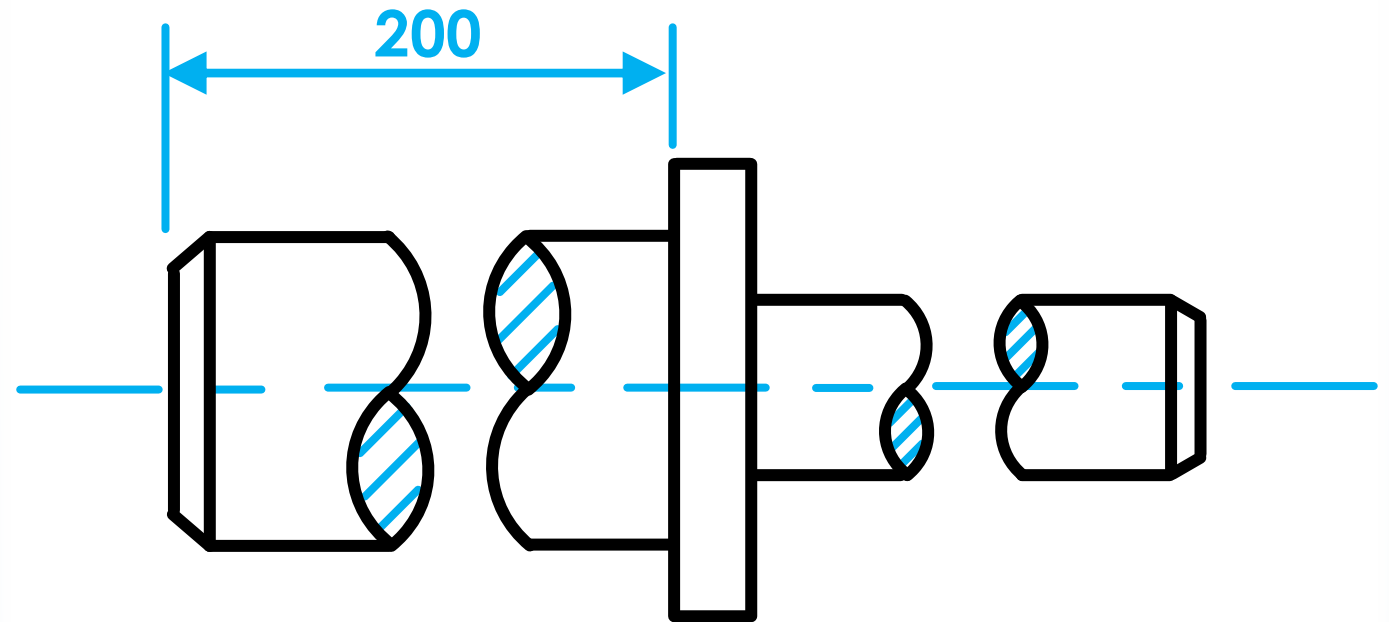
Presentation of Common Features

- The conventional representation of a **bolt**.



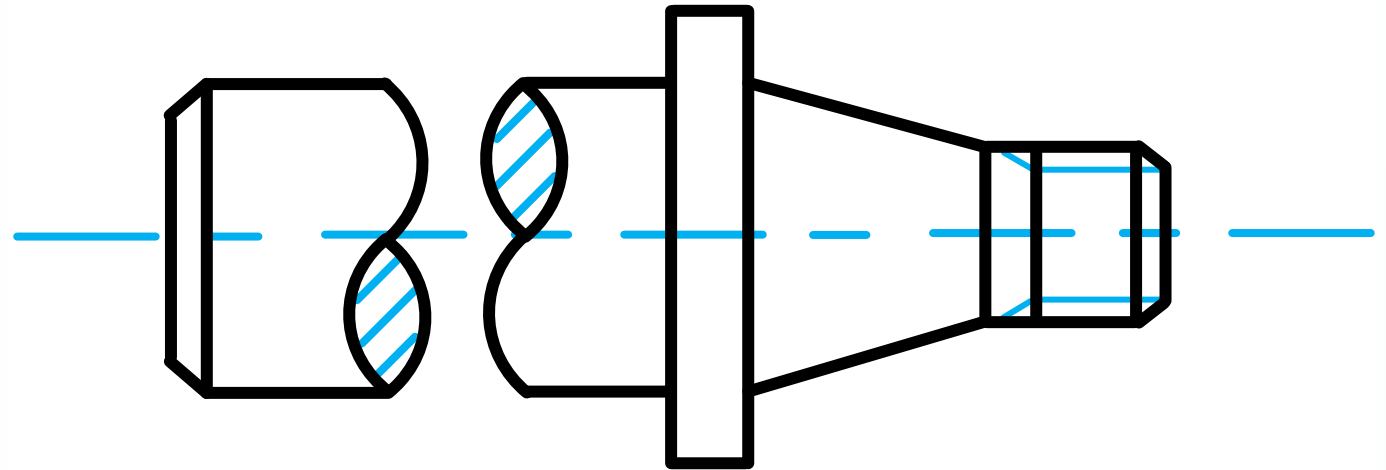
Presentation of Common Features

- The conventional representation of **interrupted view** where the too long shaft has been reduced.



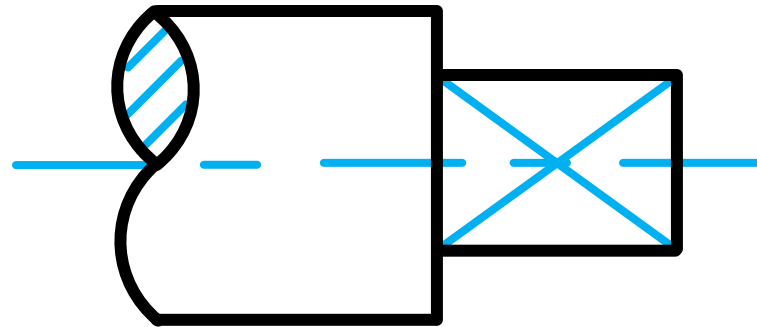
Presentation of Common Features

- A representation of a **tapered shaft**.



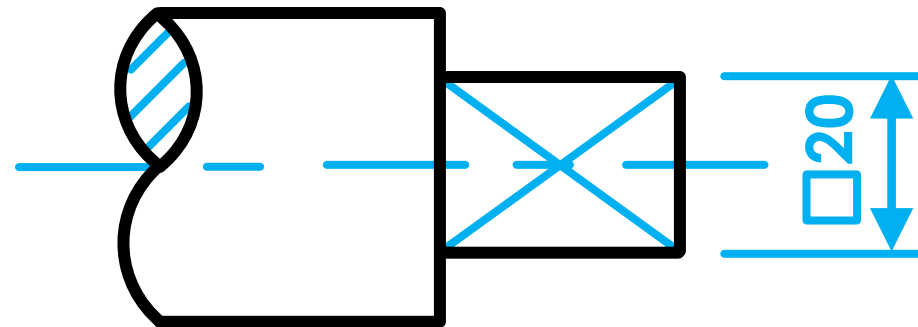
Presentation of Common Features

- The conventional representation of a **square on a shaft**.

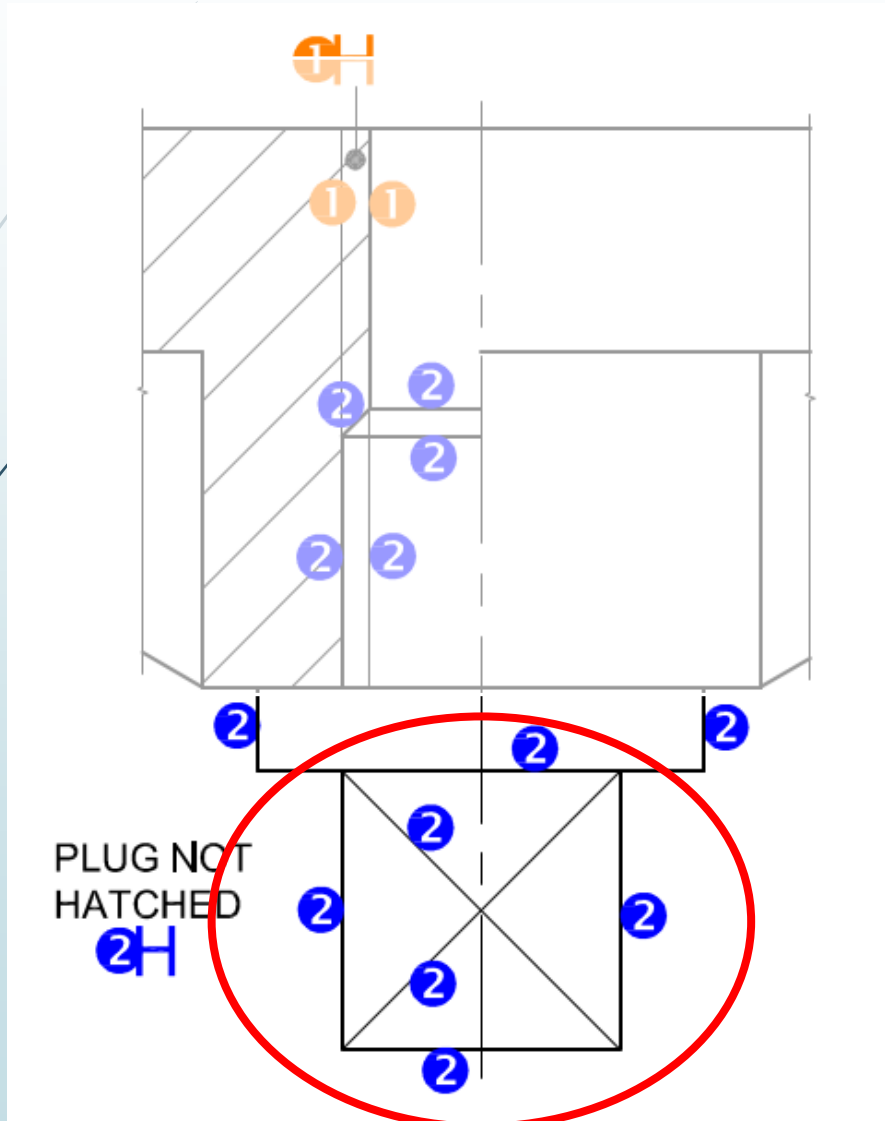


Presentation of Common Features

- **Dimensioning** a square shaft.



Presentation of Common Features



► Asked as question:

► 2019

Presentation of Common Features

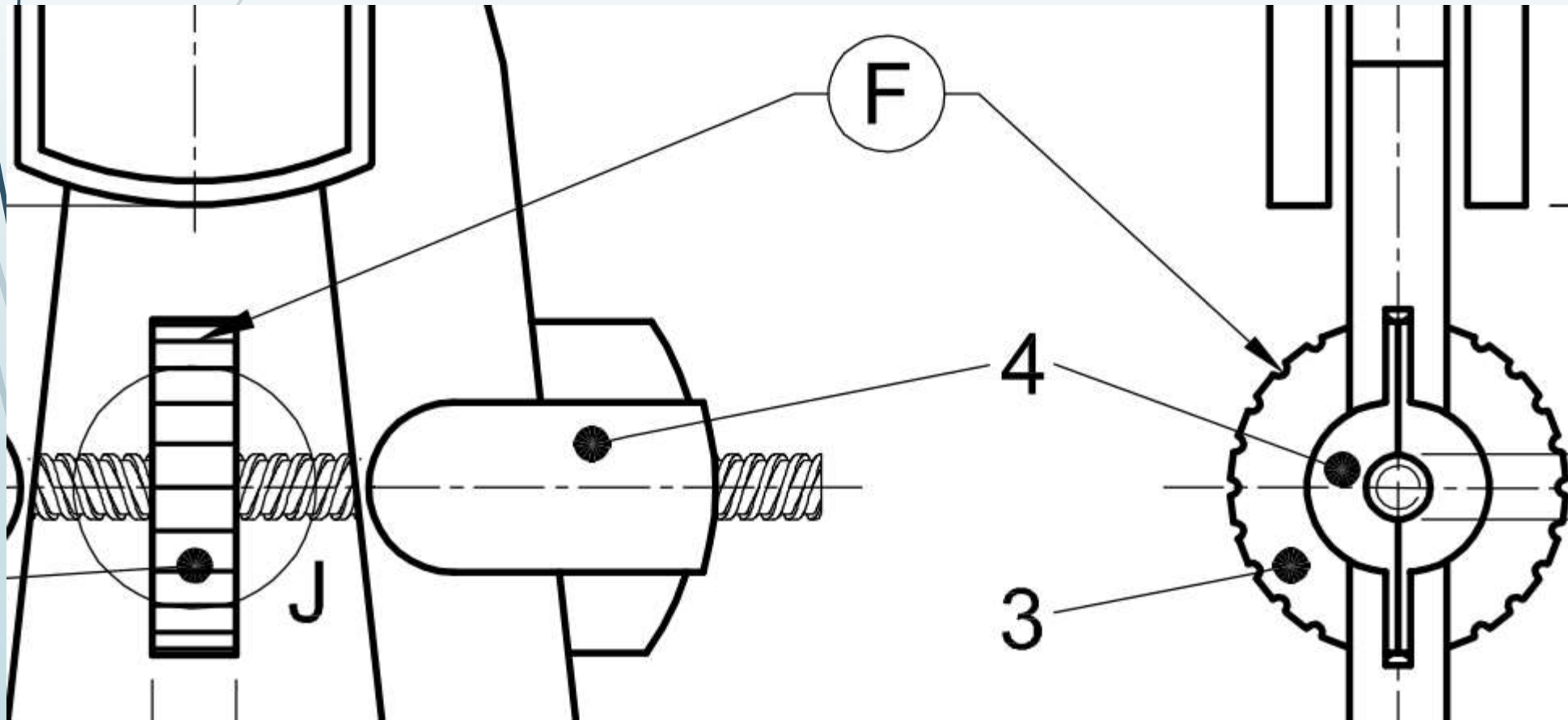
- The conventional representation of **parallel knurling**.



Presentation of Common Features

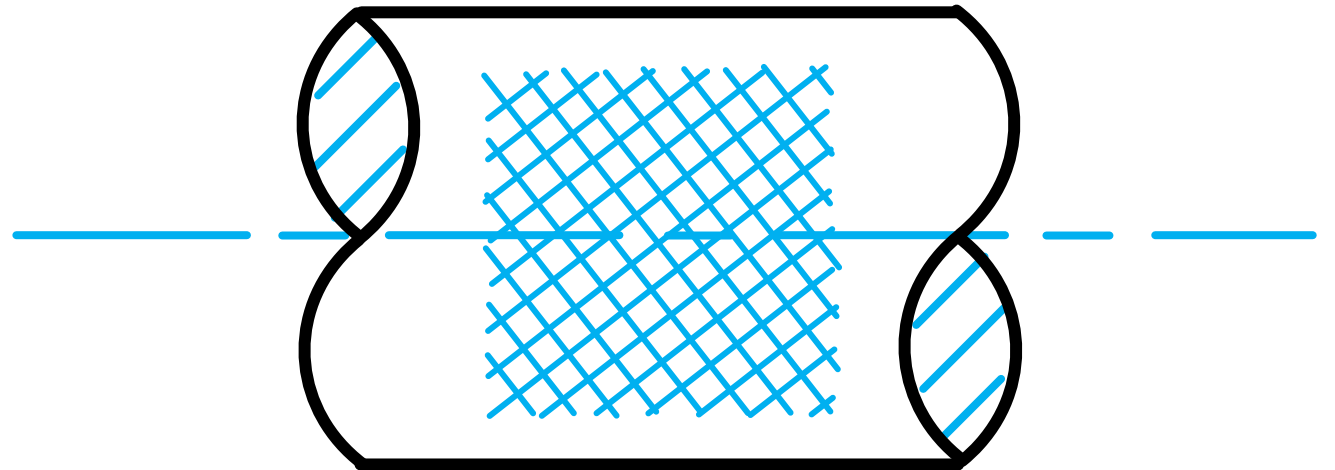
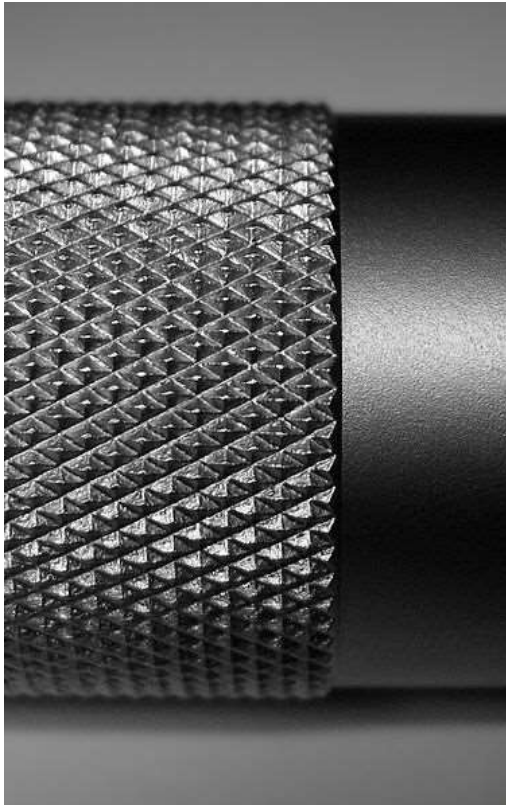
► Asked as question:

► 2019



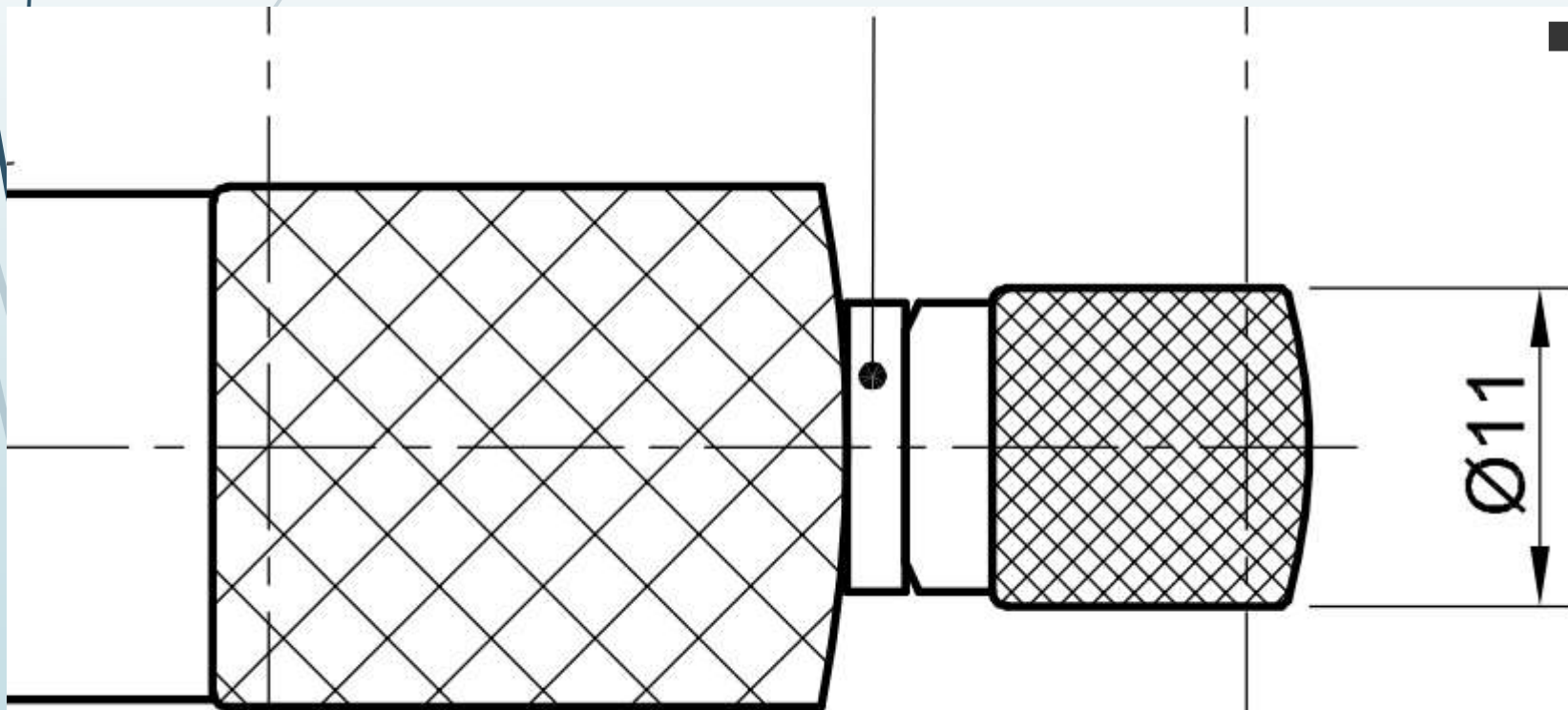
Presentation of Common Features

- The conventional representation of **diamond knurling**.



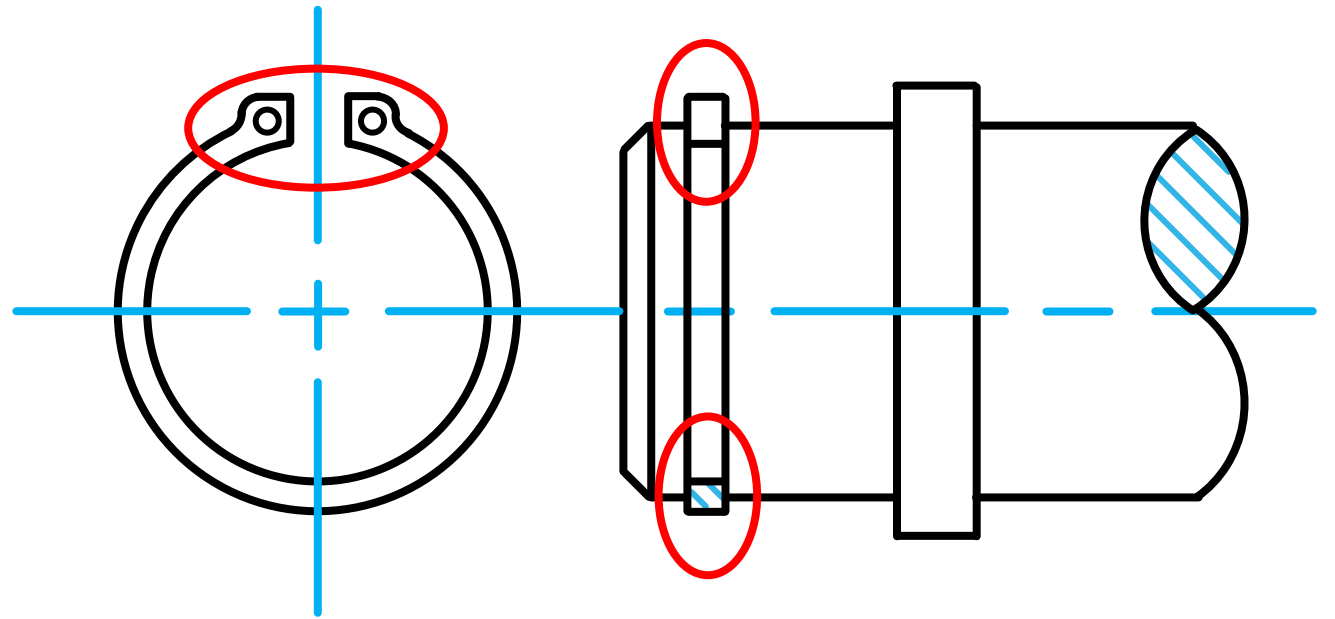
Presentation of Common Features

- ▶ Asked as question:
 - ▶ 2018
 - ▶ 2019



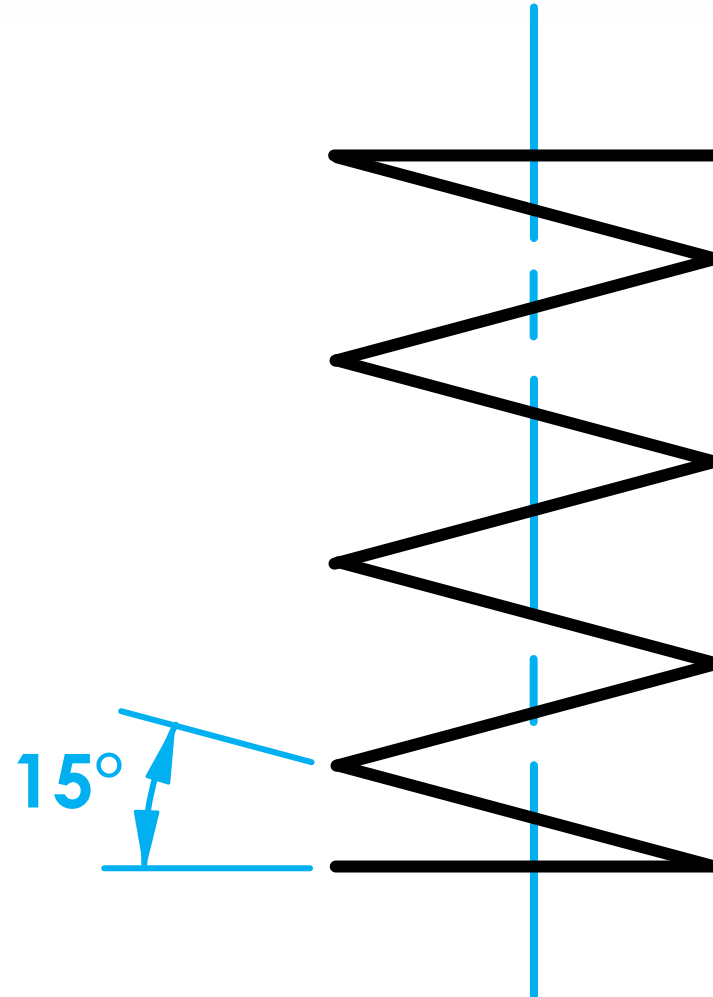
Presentation of Common Features

- ▶ A **circlip (klemveer)** should only be hatched on the bottom end.



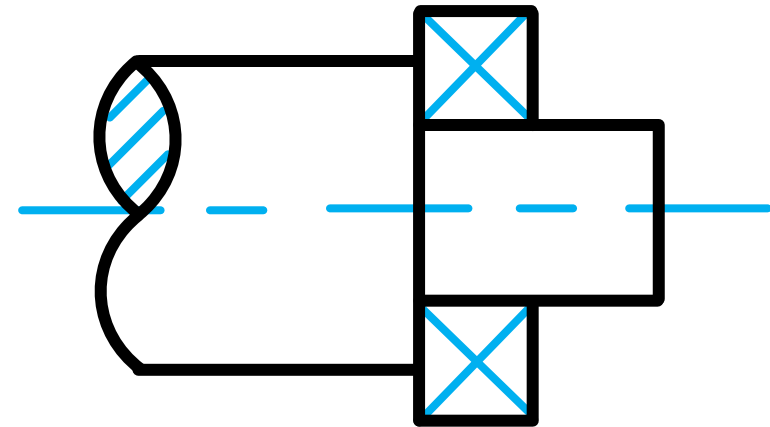
Presentation of Common Features

- The conventional representation of a **helical spring**.



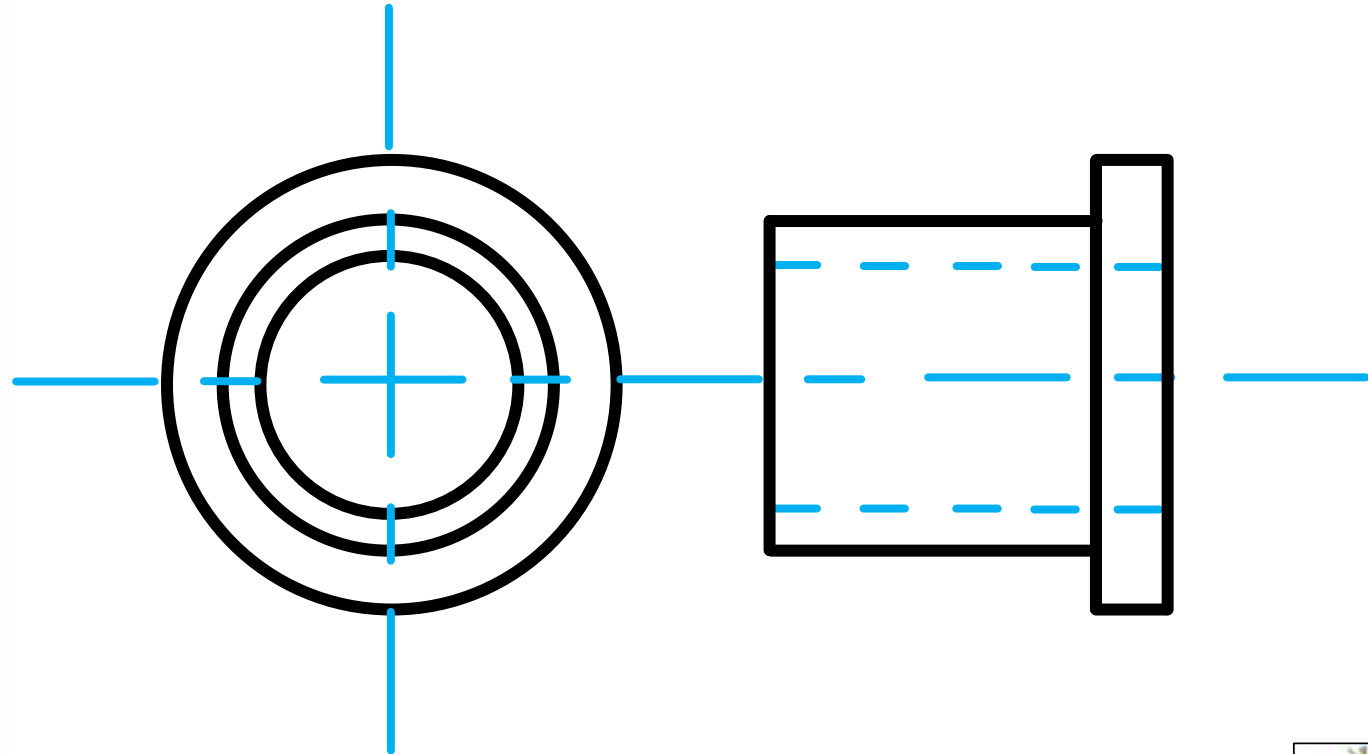
Presentation of Common Features

- The conventional representation of a **bearing**.



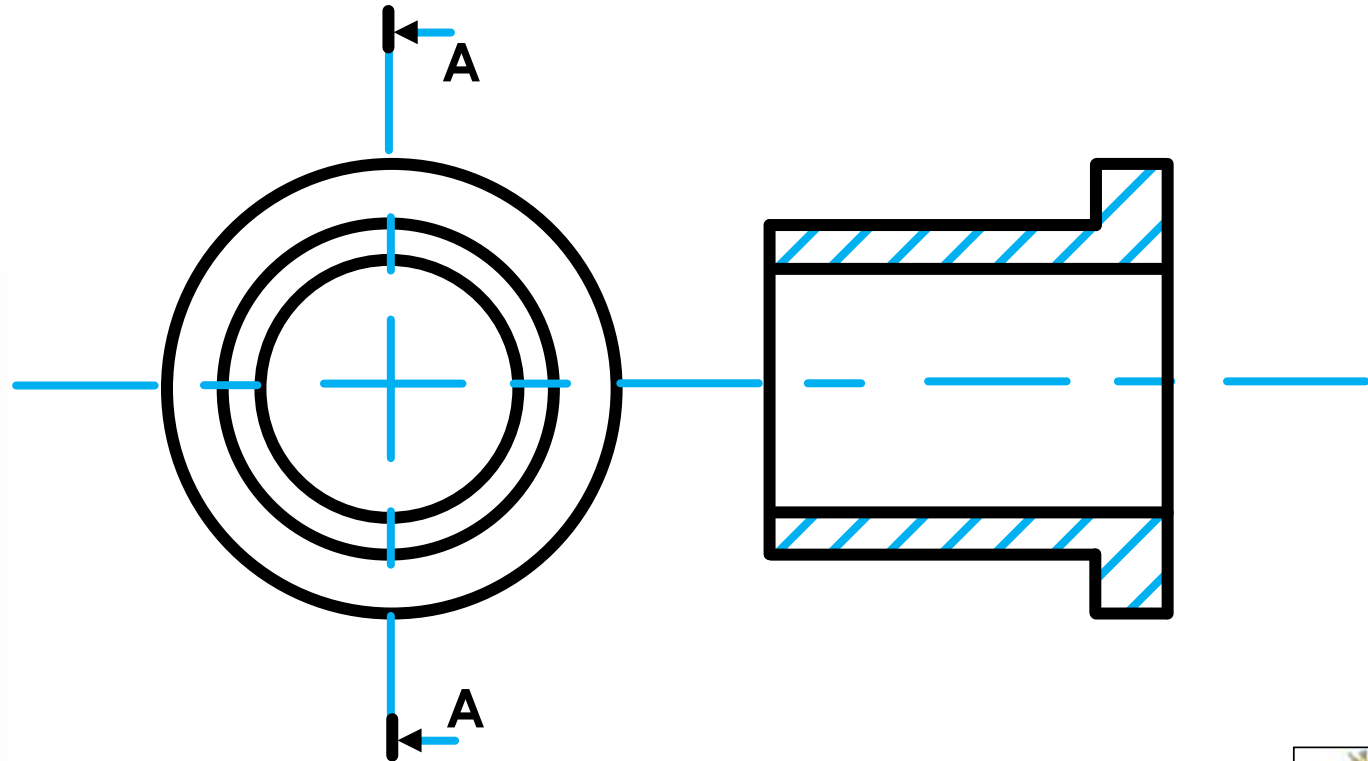
Presentation of Common Features

- A representation of a **bush**.



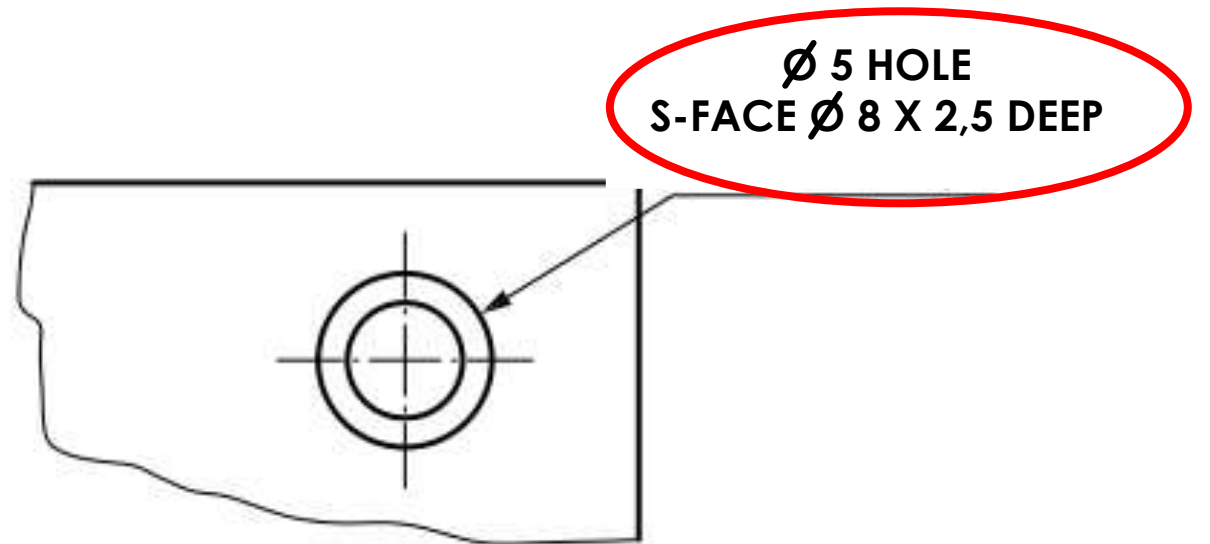
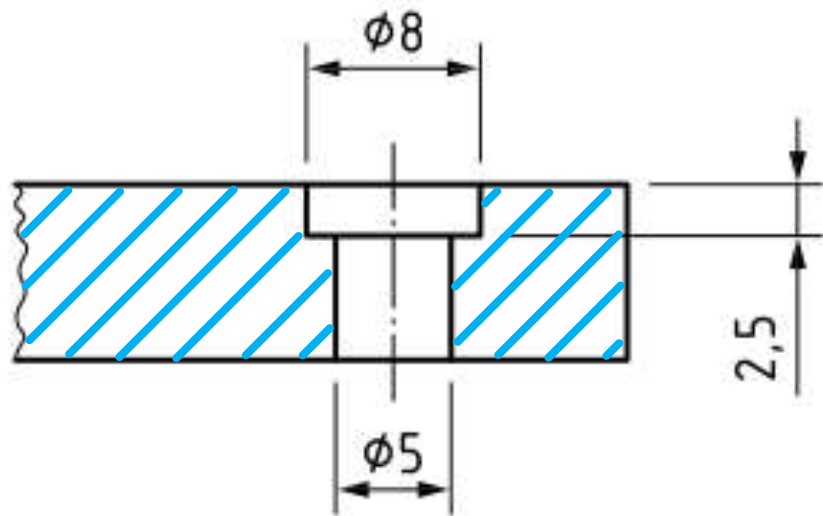
Presentation of Common Features

- A representation of a sectioned **bush**.



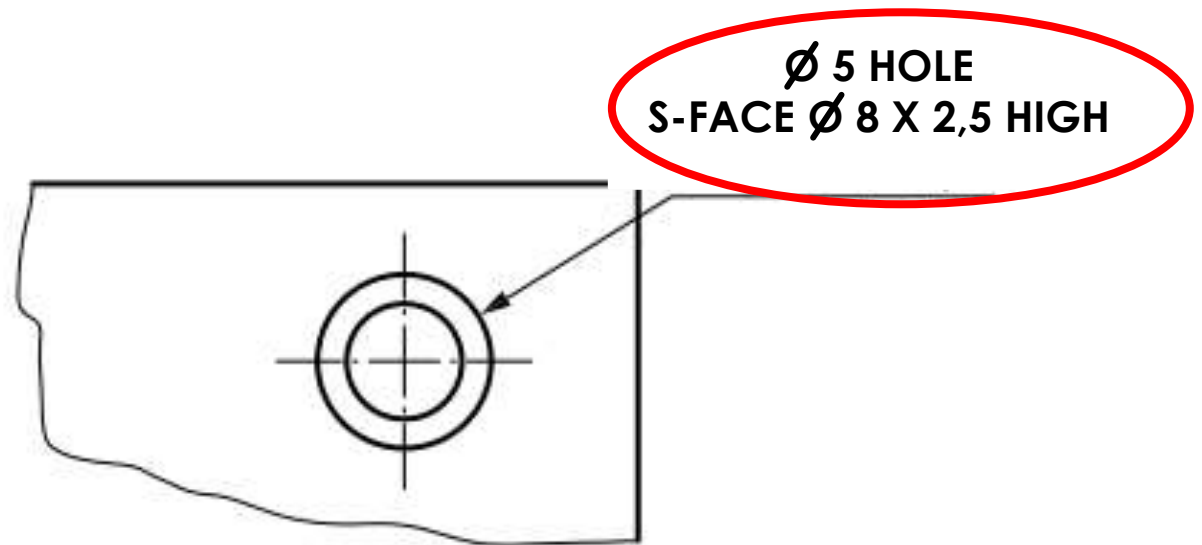
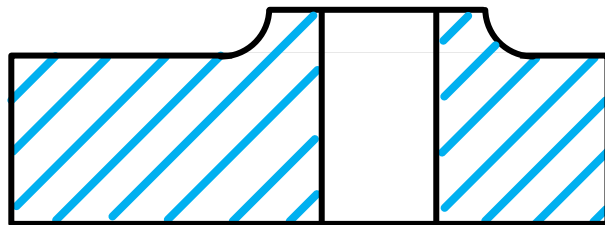
Presentation of Common Features

- ▶ A representation of a **spot face**
 - ▶ A **spot face (kolvlak)** is normally **less than 4 mm**



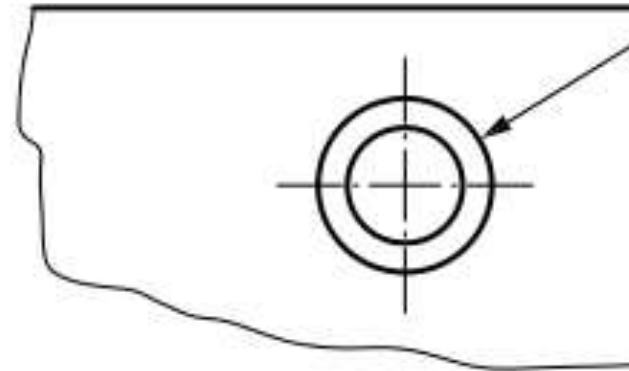
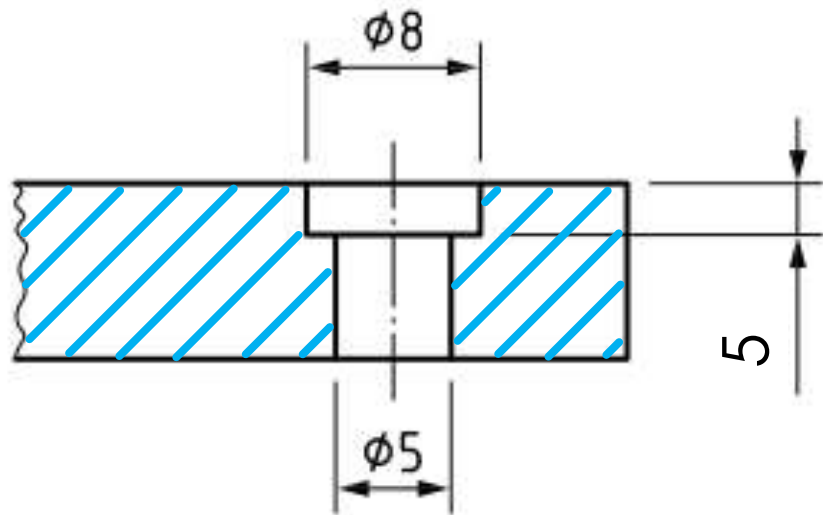
Presentation of Common Features

- ▶ A representation of a **spot face**
 - ▶ A **spot face (kolvlak)** is normally **less than 4 mm**



Presentation of Common Features

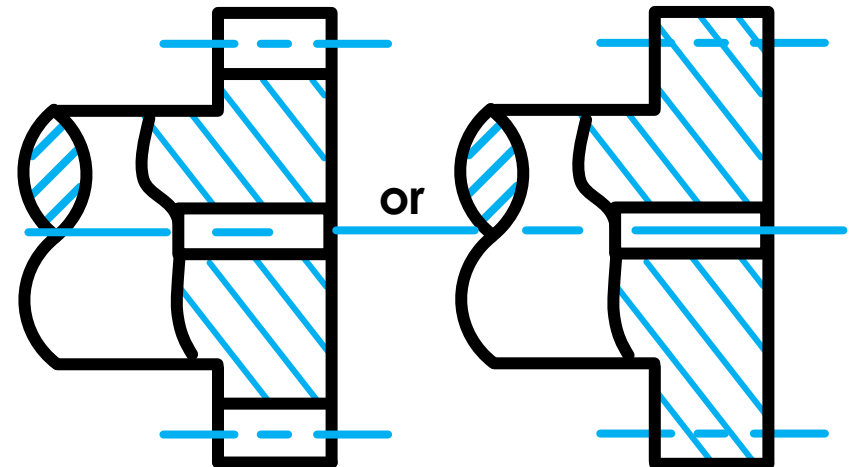
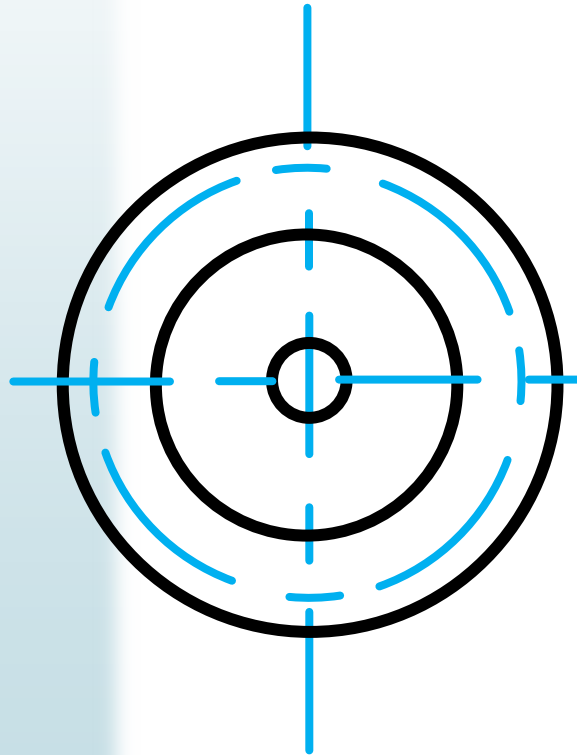
- ▶ A representation of a **counter bore (teenboring)**
 - ▶ A **counter bore (teenboring)** is normally **deeper** than **4 mm**
 - ▶ Asked as question in **2019**



$\phi 5$ HOLE
C-BORE $\phi 8$ X 5 DEEP

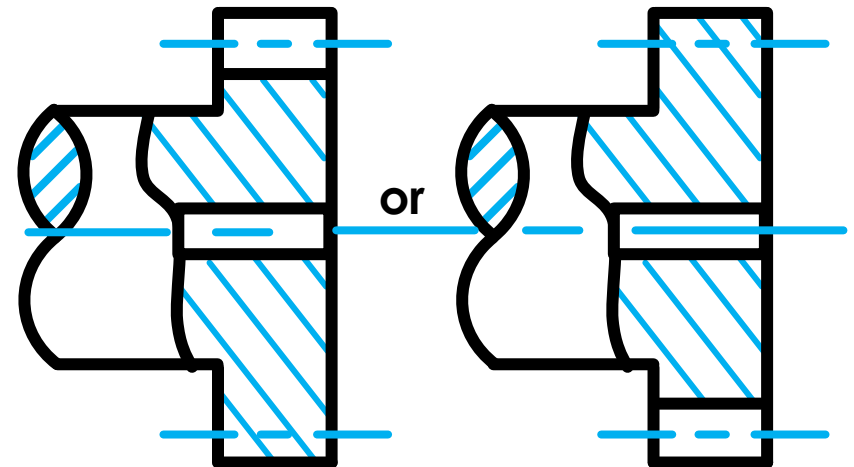
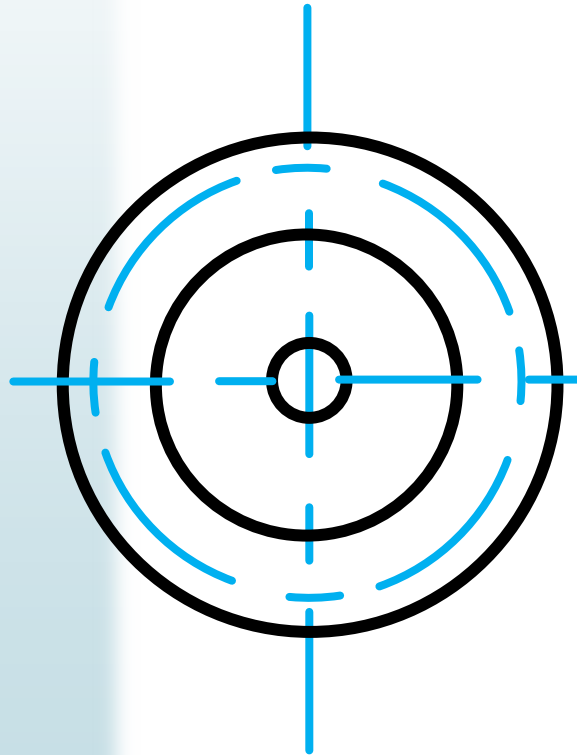
Presentation of Common Features

- The conventional representation of a gear.
 - Equal number of teeth.



Presentation of Common Features

- ▶ The conventional representation of a gear.
 - ▶ Unequal number of teeth.



Presentation of Common Features

► Asked as question:

► 2018

► 2019

