



# LOCI of a CAM

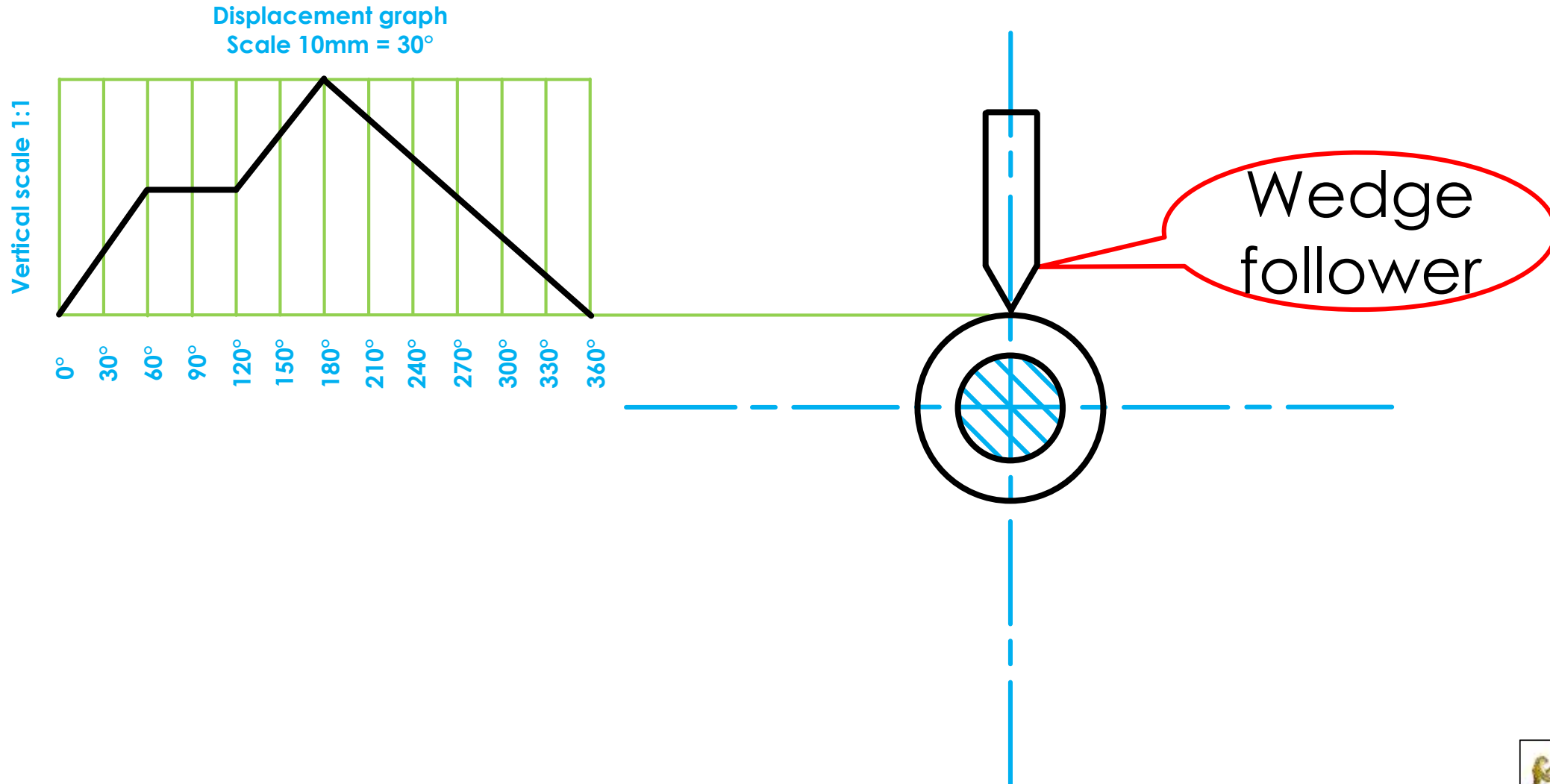
**Grade 11 & 12**

Developed by: PC Viljoen  
Senior Educational Specialist for  
Engineering Graphics and Design  
Free State Province

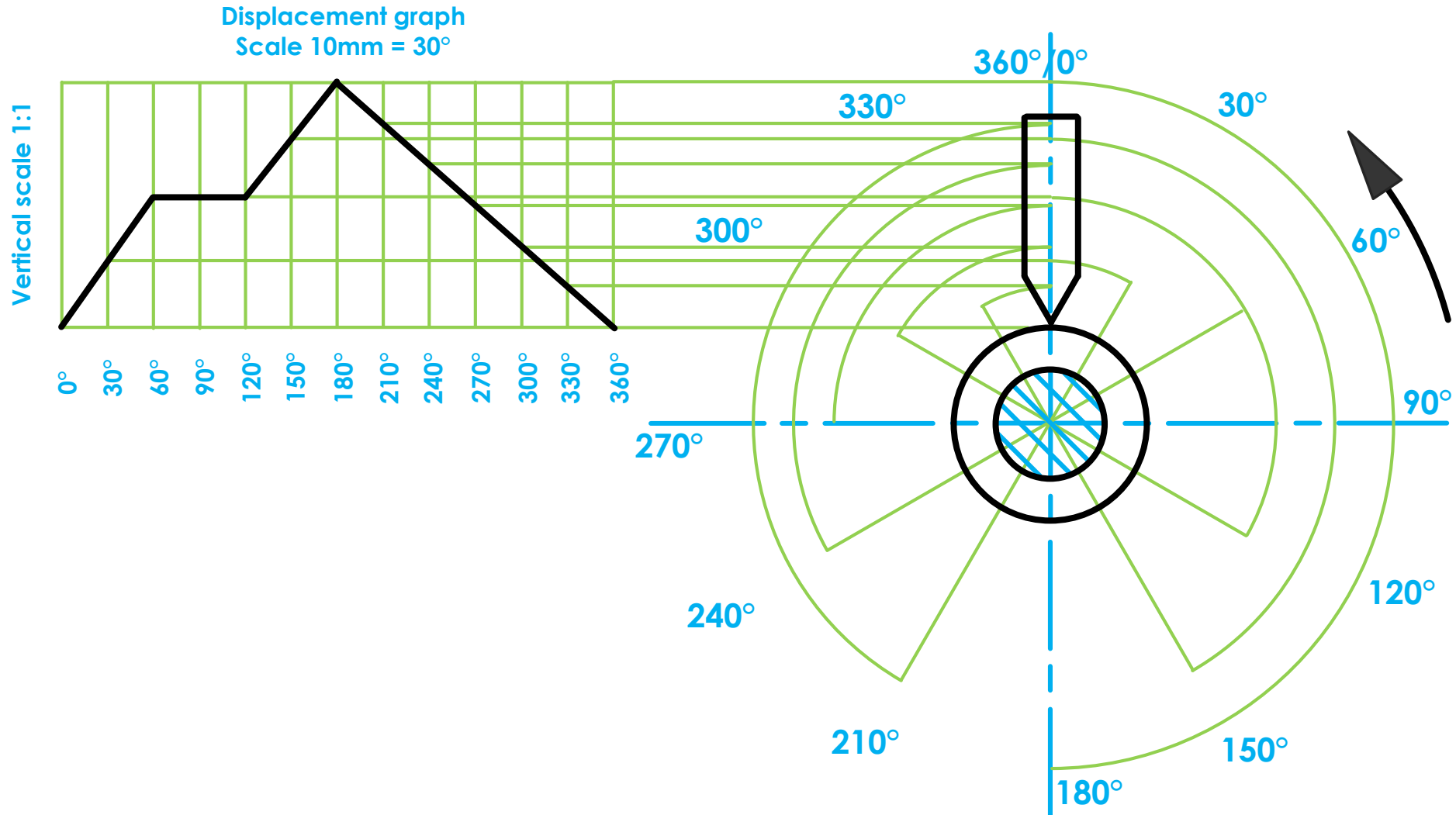
# Loci of a CAM: General information

- After the displacement graph is developed?
  - Determine the **type of cam follower**
    - Wedge follower
    - Flat follower
    - Roller follower

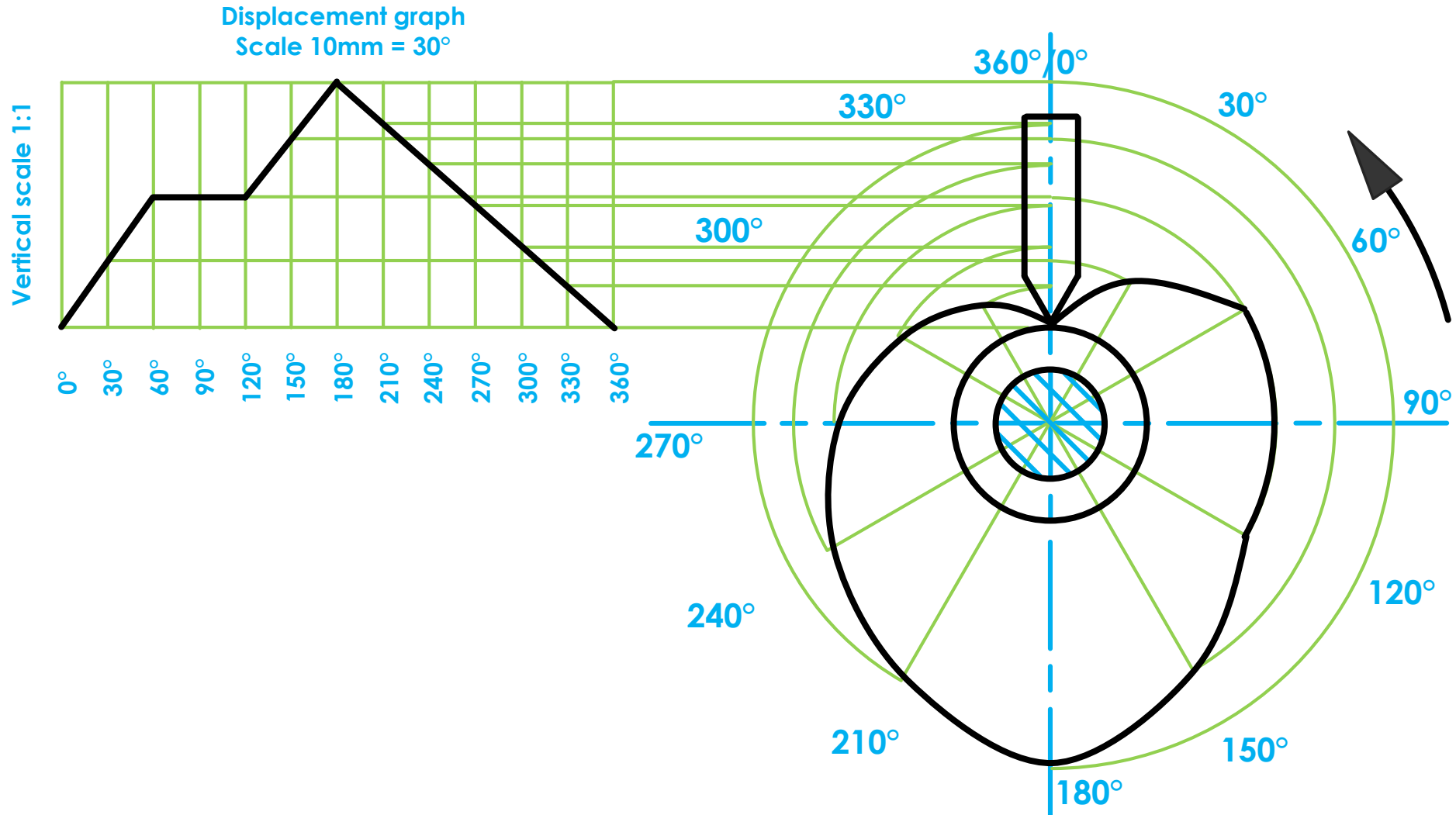
# Loci of a CAM: General information



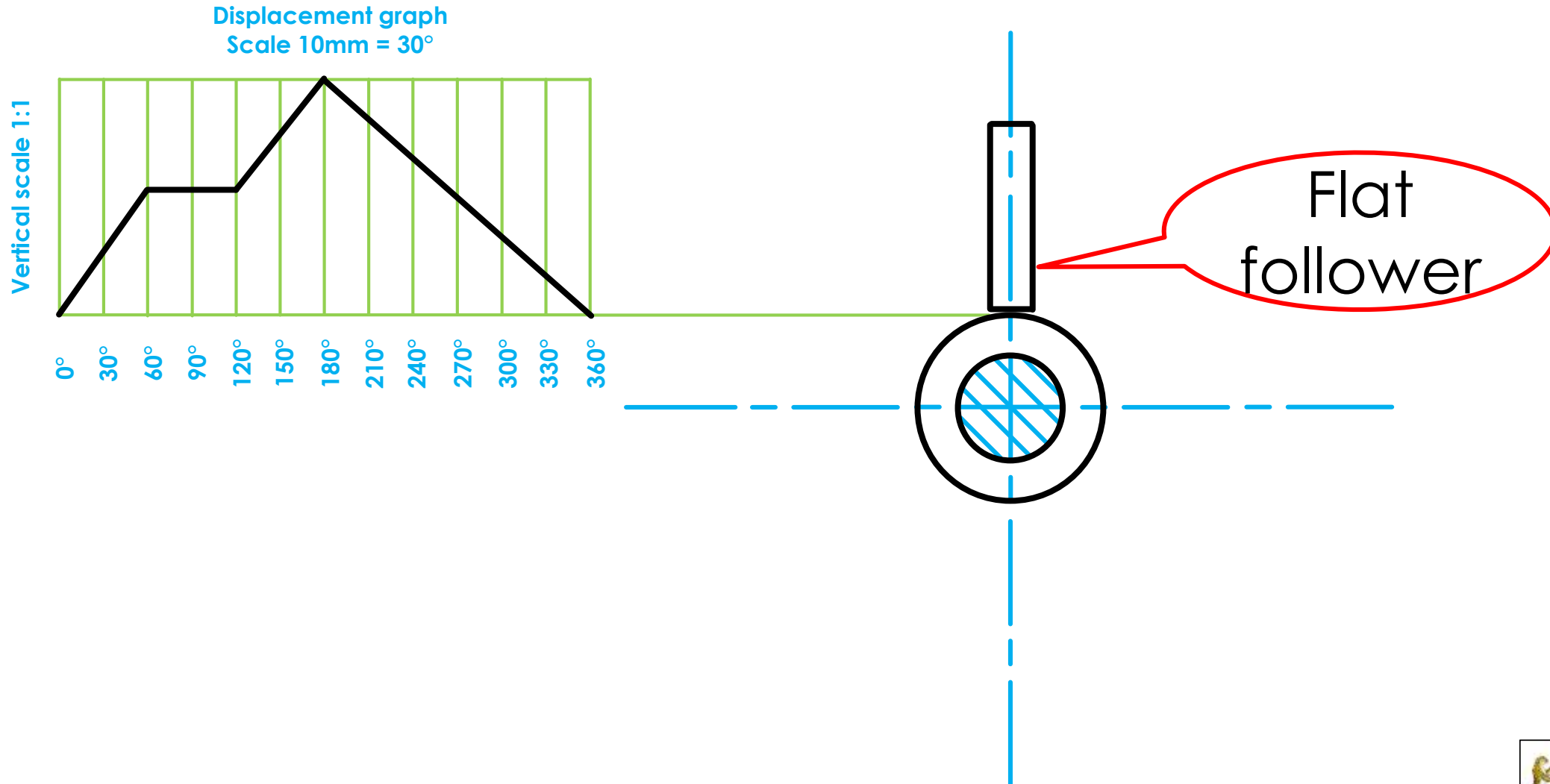
# Loci of a CAM



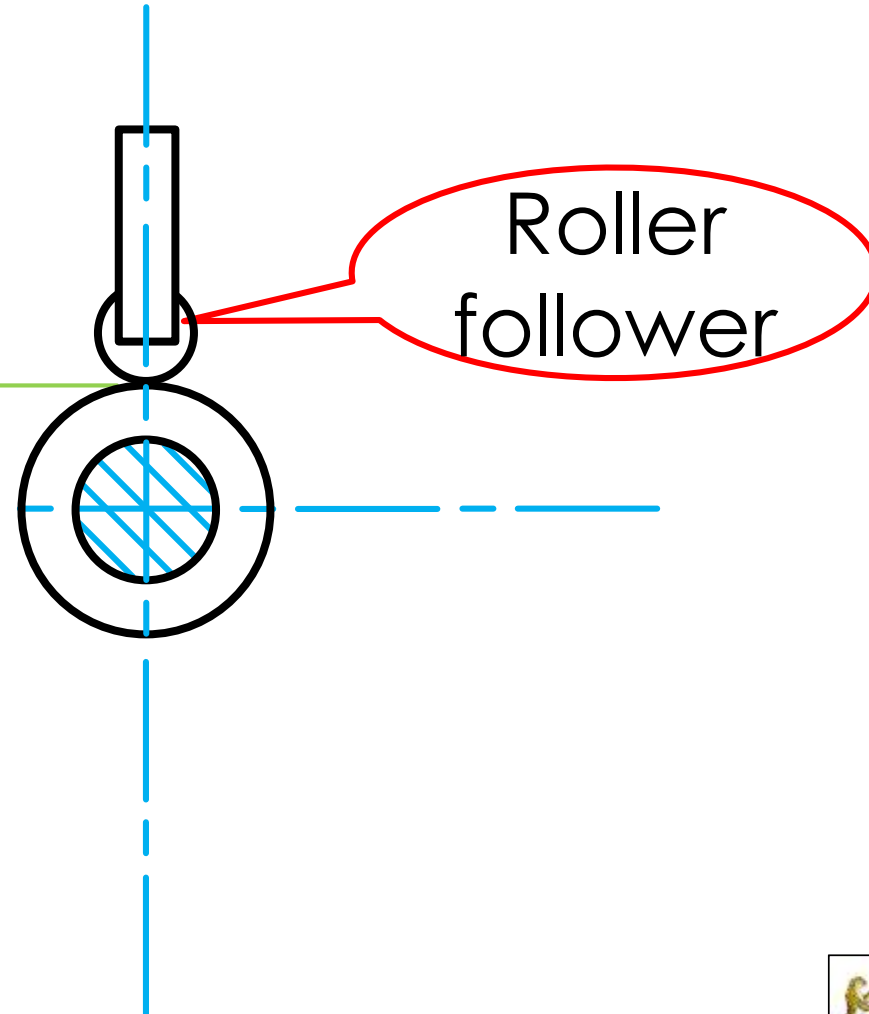
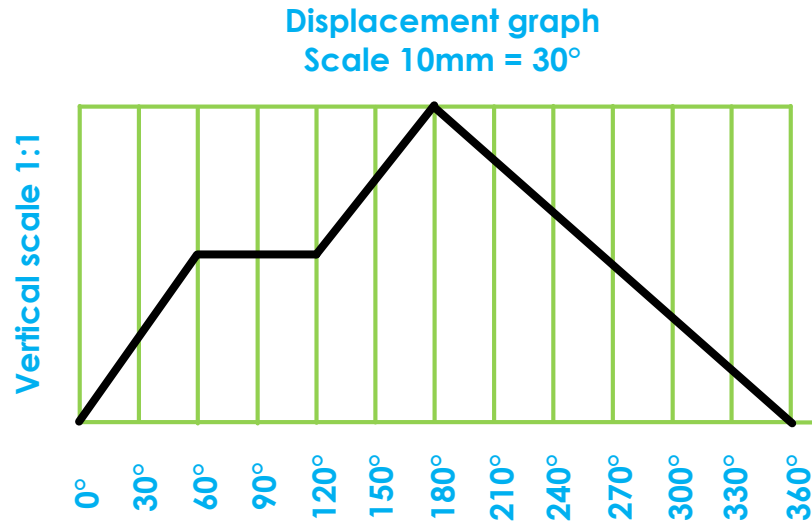
# Loci of a CAM



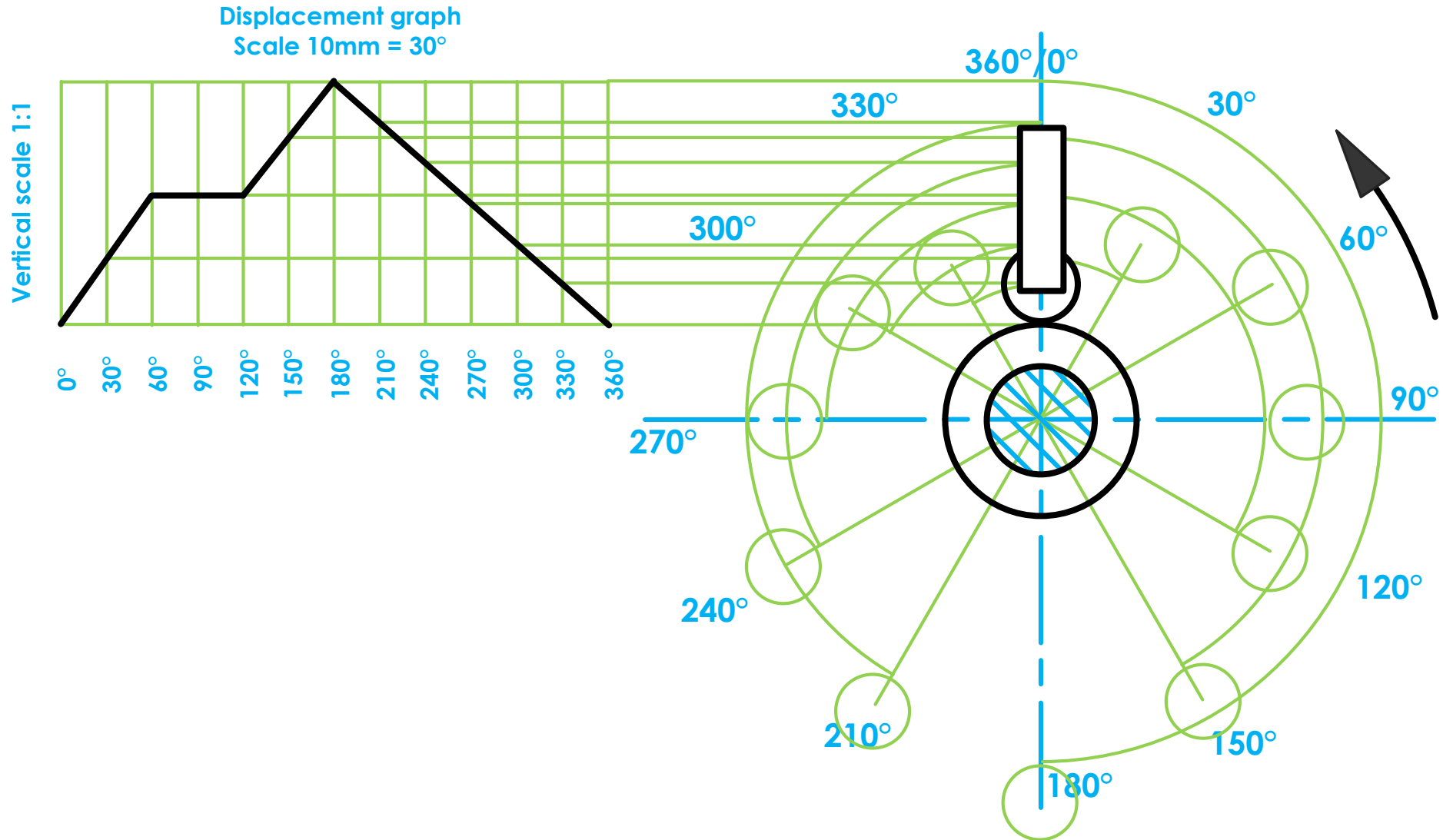
# Loci of a CAM: General information



# Loci of a CAM: General information



# Loci of a CAM



# Loci of a CAM

