



# LOCI of a CAM

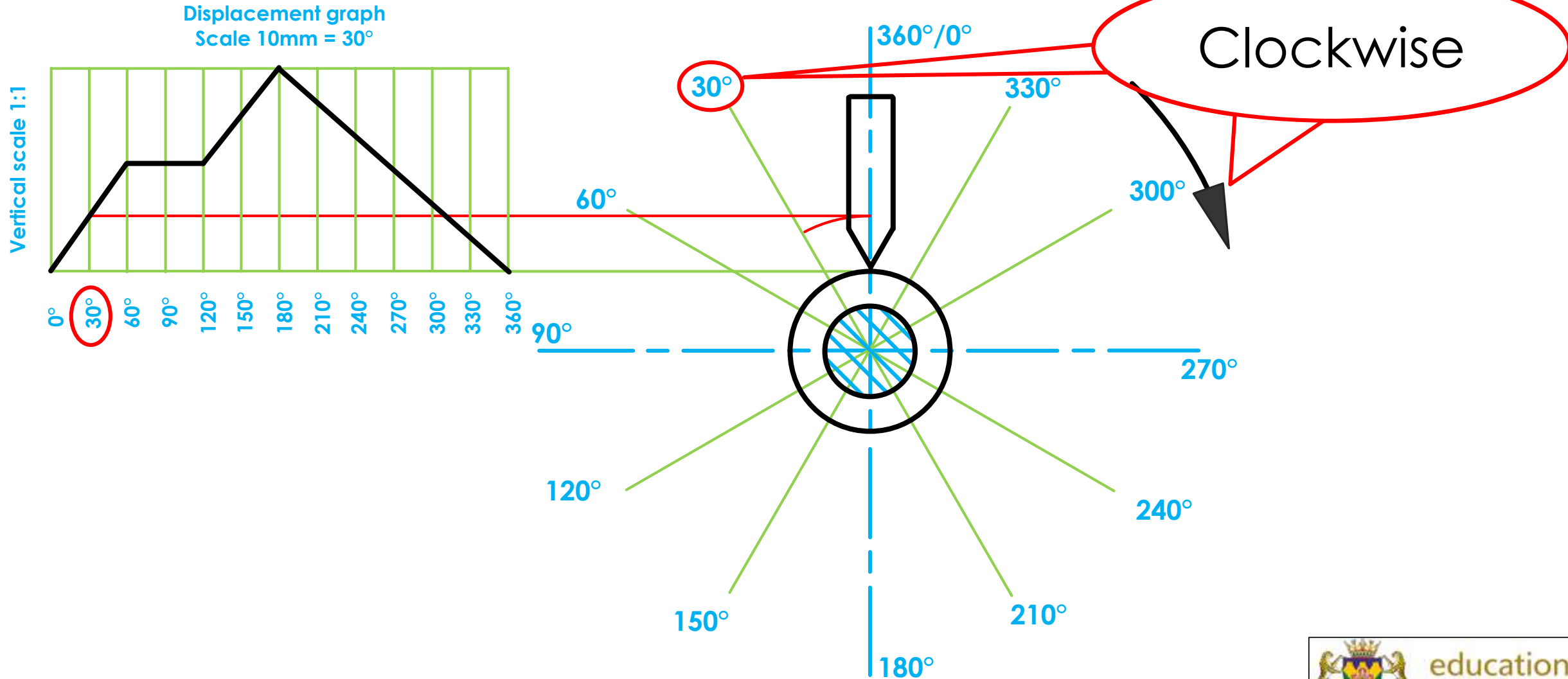
**Grade 11 & 12**

Developed by: PC Viljoen  
Senior Educational Specialist for  
Engineering Graphics and Design  
Free State Province

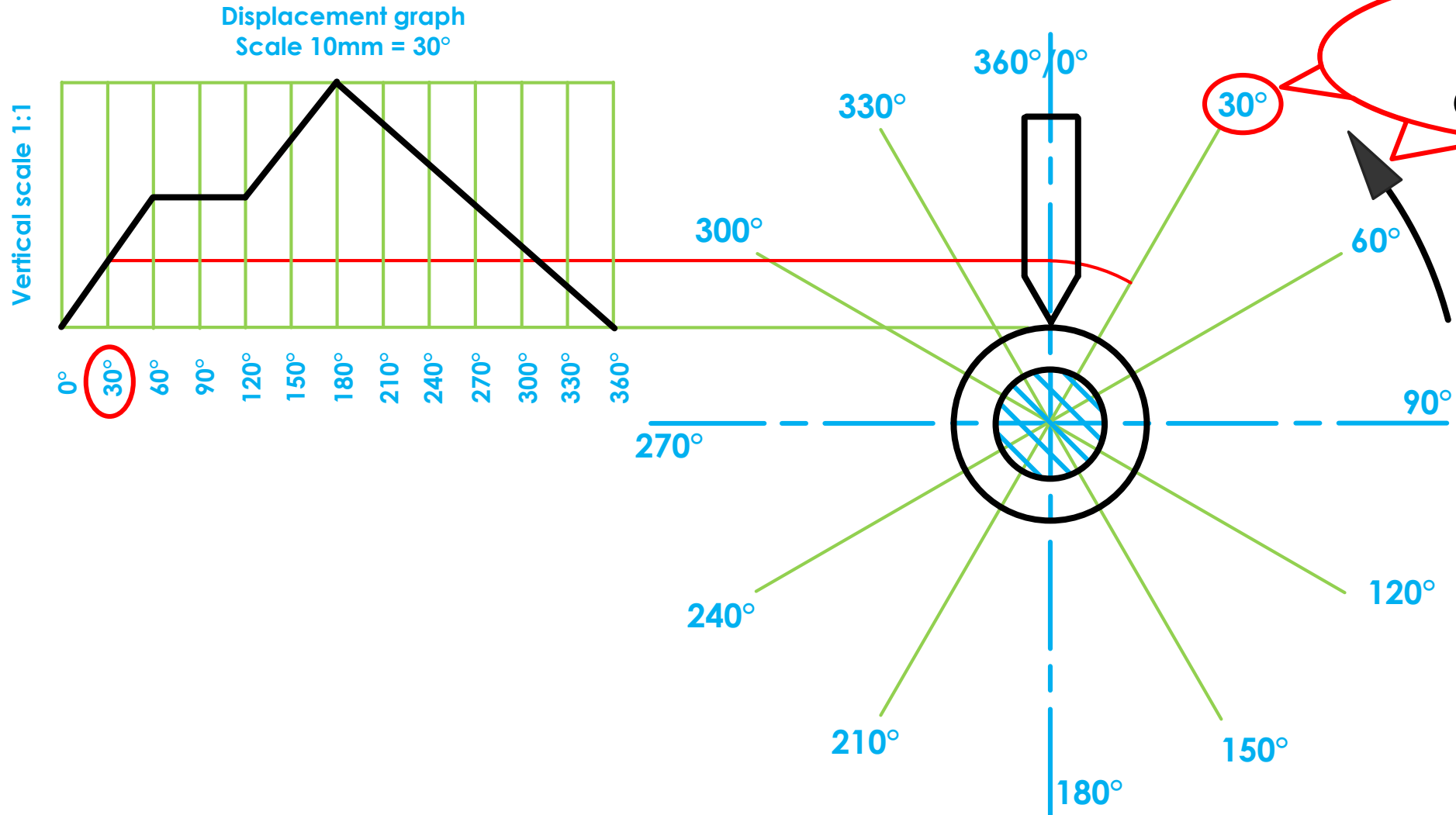
# Loci of a CAM

- Variation on the position of the follower
  - The follower can be on a vertical angle, slanted angle or horizontal angle.

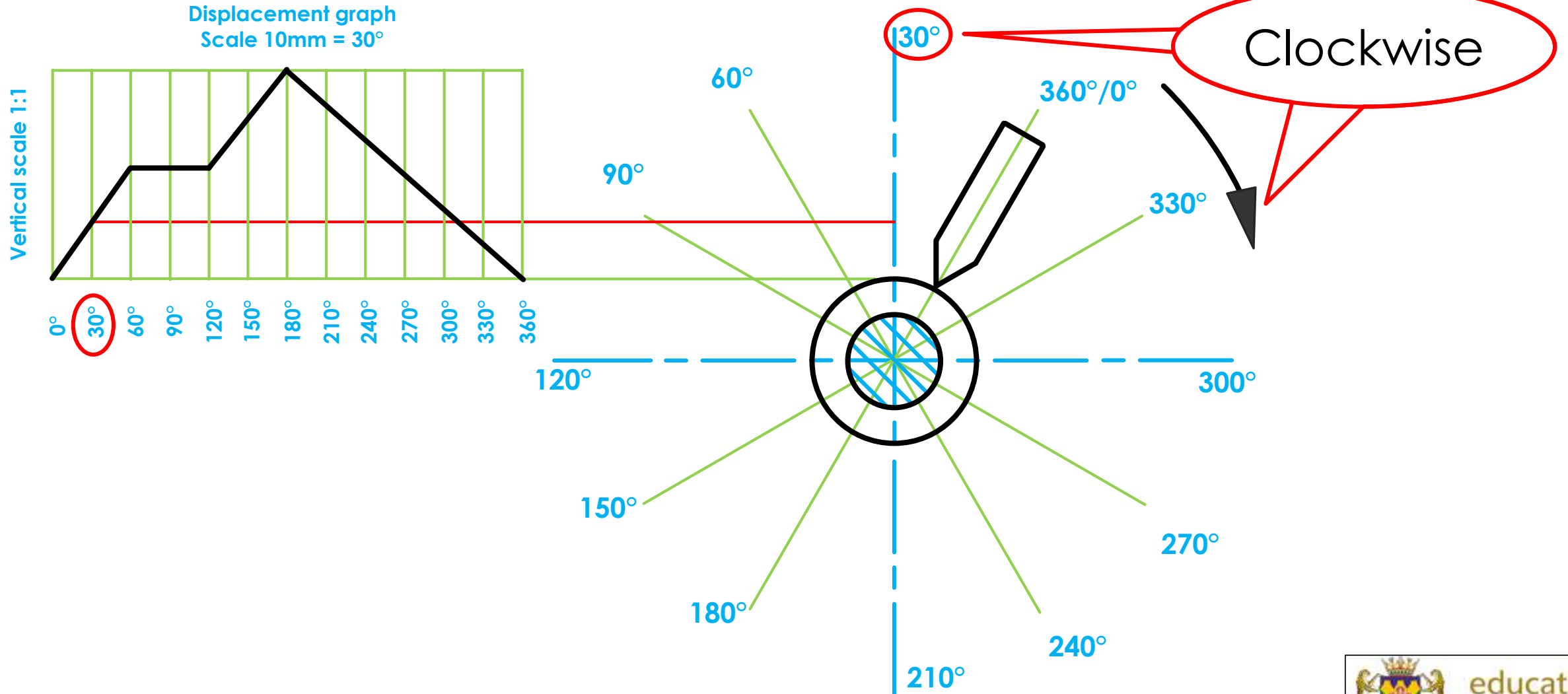
# Loci of a CAM



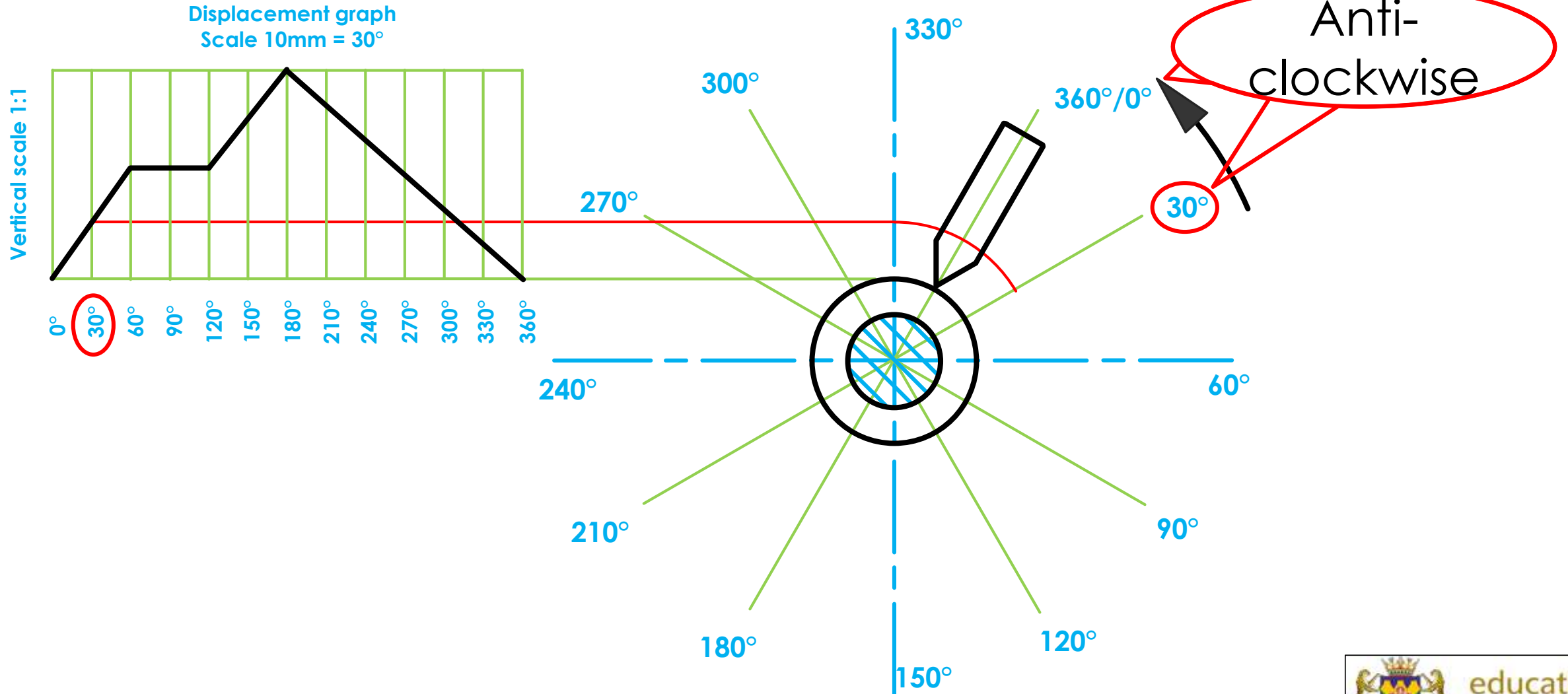
# Loci of a CAM



# Loci of a CAM



# Loci of a CAM





# Loci of a CAM

