

STAPEL

QUESTION 2: MECHANISM (LOCI)

Given:

- A schematic diagram of a mechanism consisting of a crank OB, which is attached to a connecting rod AC at point B
- The position of the centre point O on the drawing sheet

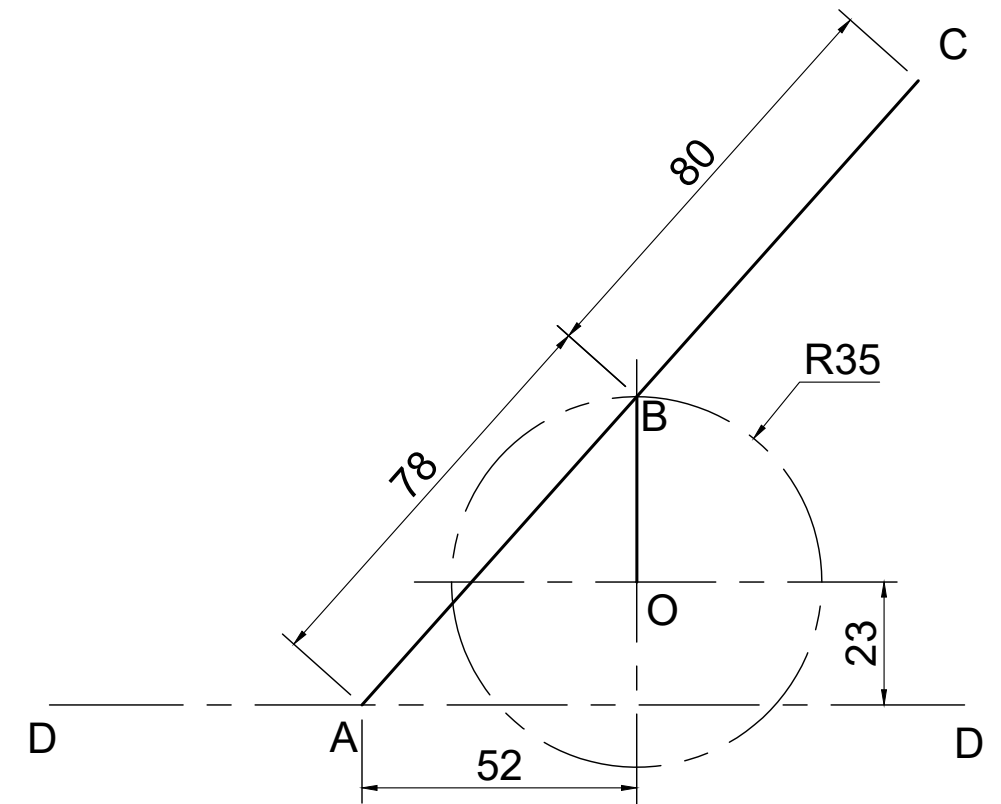
Motion:

As the crank OB rotates, point A moves to and fro along axis D-D

Instructions:

- Draw, to scale 1 : 1, the given schematic drawing of the mechanism.
- Trace the locus generated by point C for one complete revolution of the mechanism.
- Show all necessary constructions. [20]

+O



ASSESSMENT CRITERIA			
1	GIVEN	6	
2	CONSTRUCTION	7.5	
3	LOCUS + CURVE	6.5	
TOTAL		20	



MECHANISM (LOCI)	ESTIMATED TIME FOR COMPLETION	20 MIN	GRADE 12	INITIALS & SURNAME		TASK	PAGE
	YOUR TIME FOR COMPLETION	MIN				14.1	50