

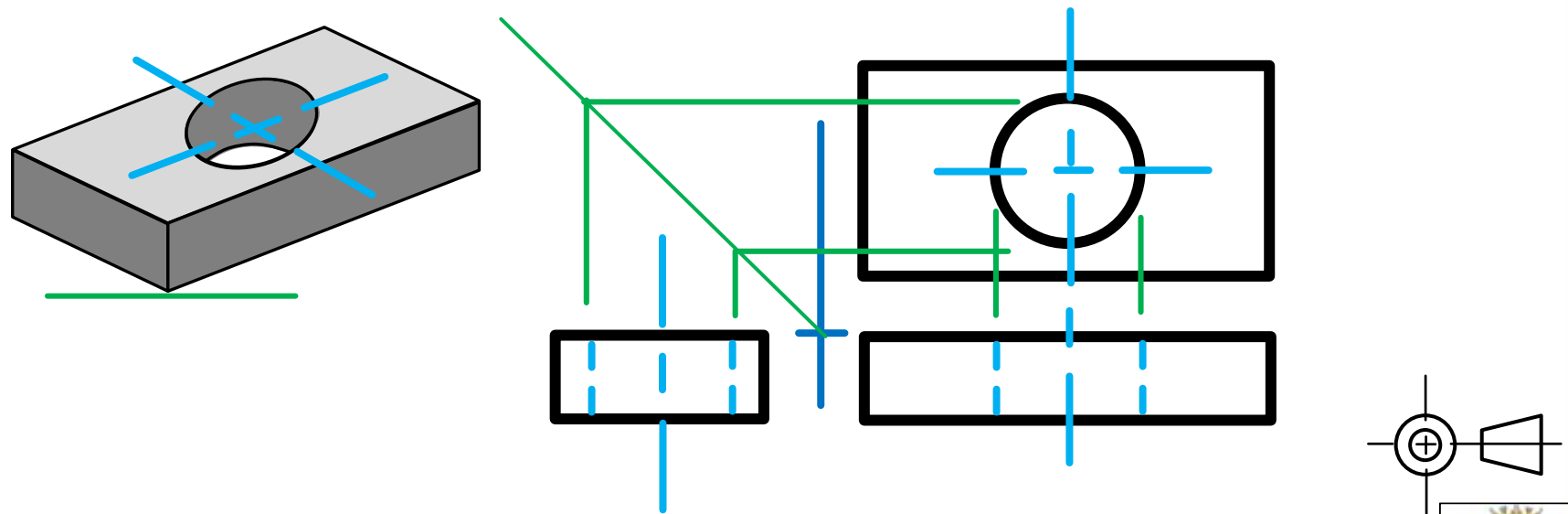


Principles of Mechanical Drawings – HIDDEN DETAIL

Developed by: PC Viljoen
Senior Educational Specialist for
Engineering Graphics and Design
Free State Province

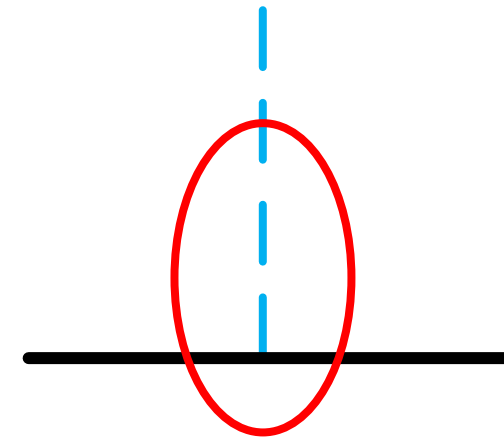
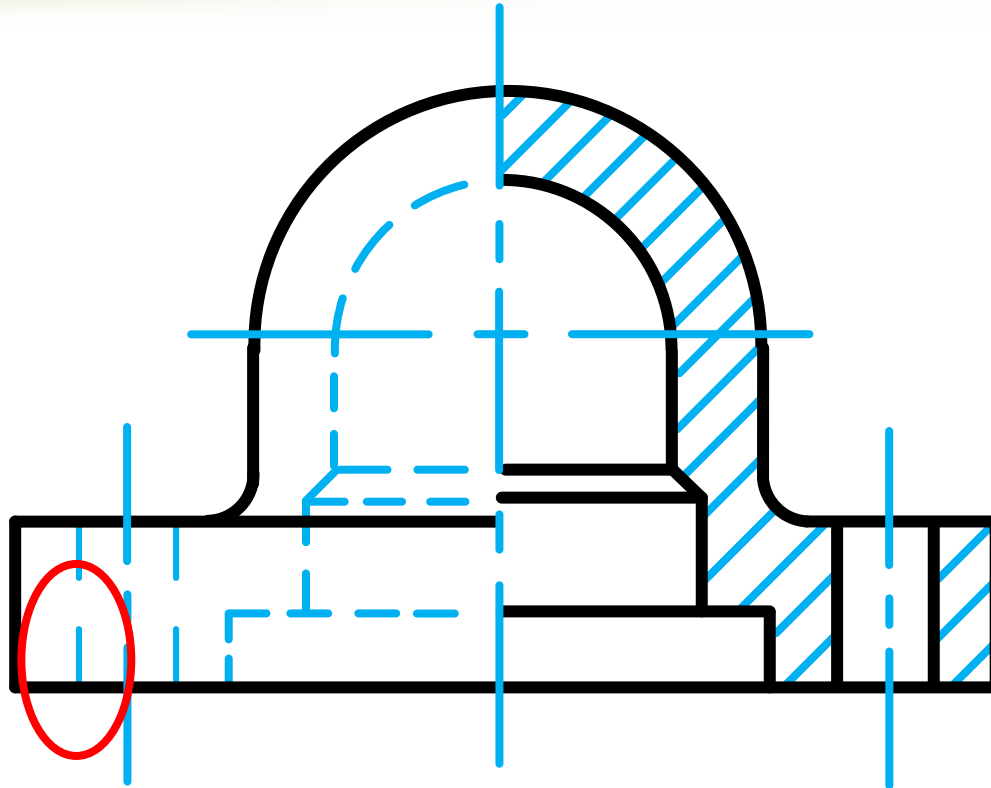
Mechanical Drawings (hidden detail)

- Hidden detail on a mechanical drawing indicate **detail not visible** from the point of projection.



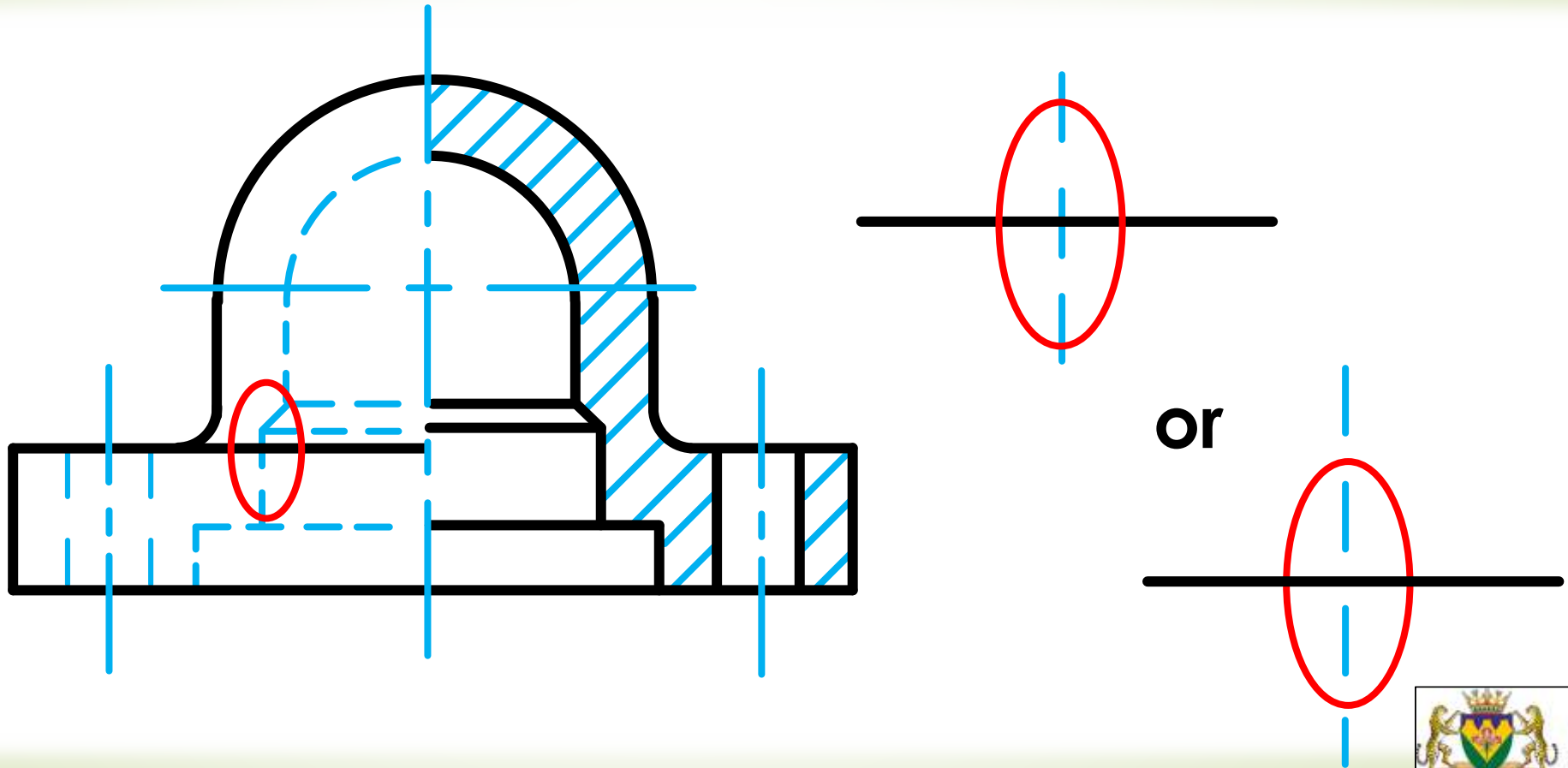
Mechanical Drawings (hidden detail)

- Indication of a hidden detail line ending on a solid line.



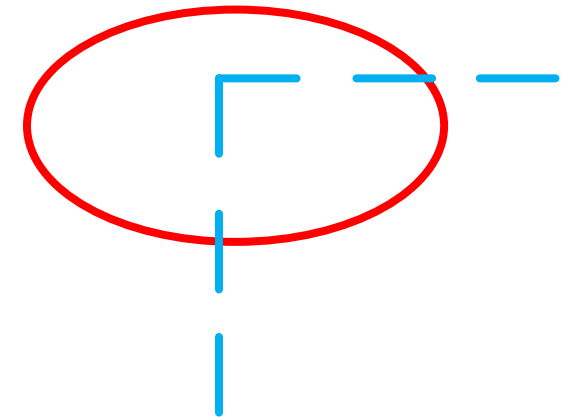
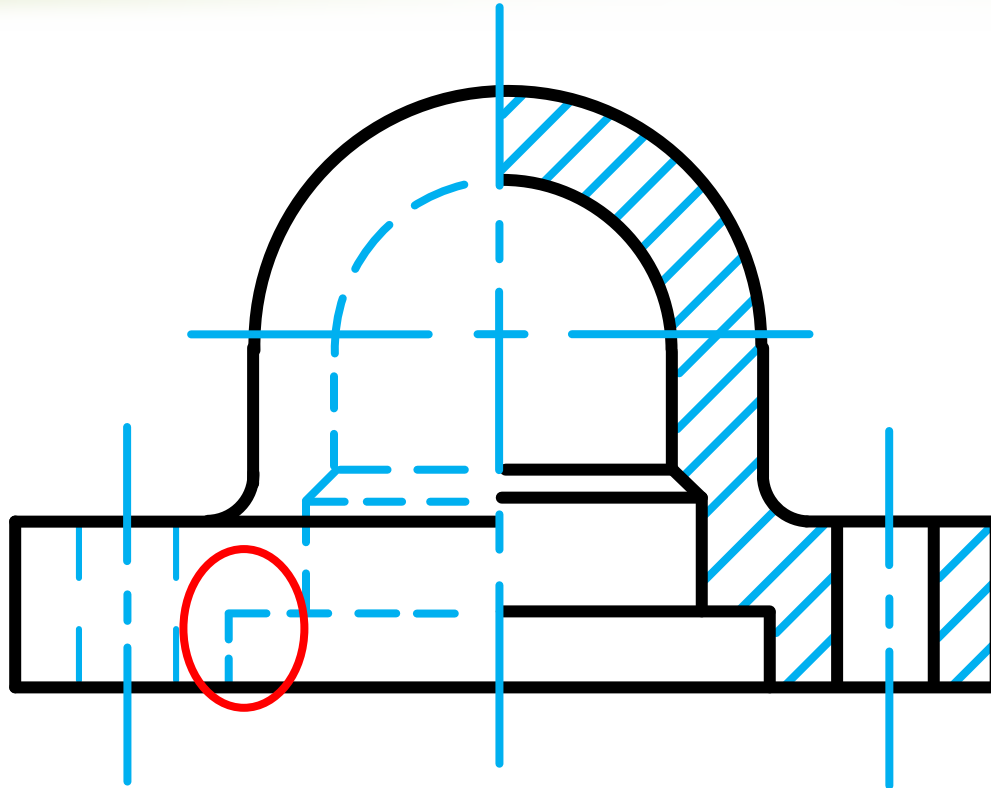
Mechanical Drawings (hidden detail)

- Indication of a hidden detail line intersecting with a solid line.



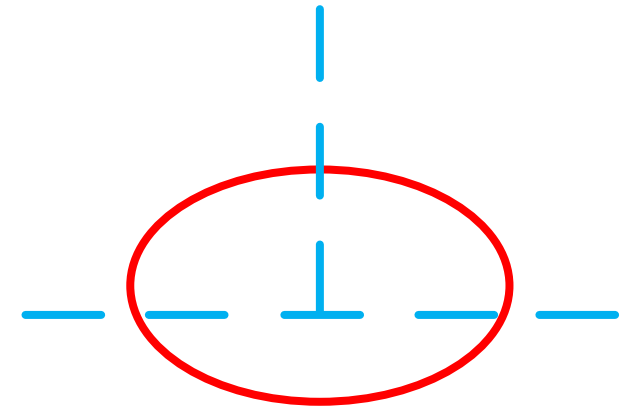
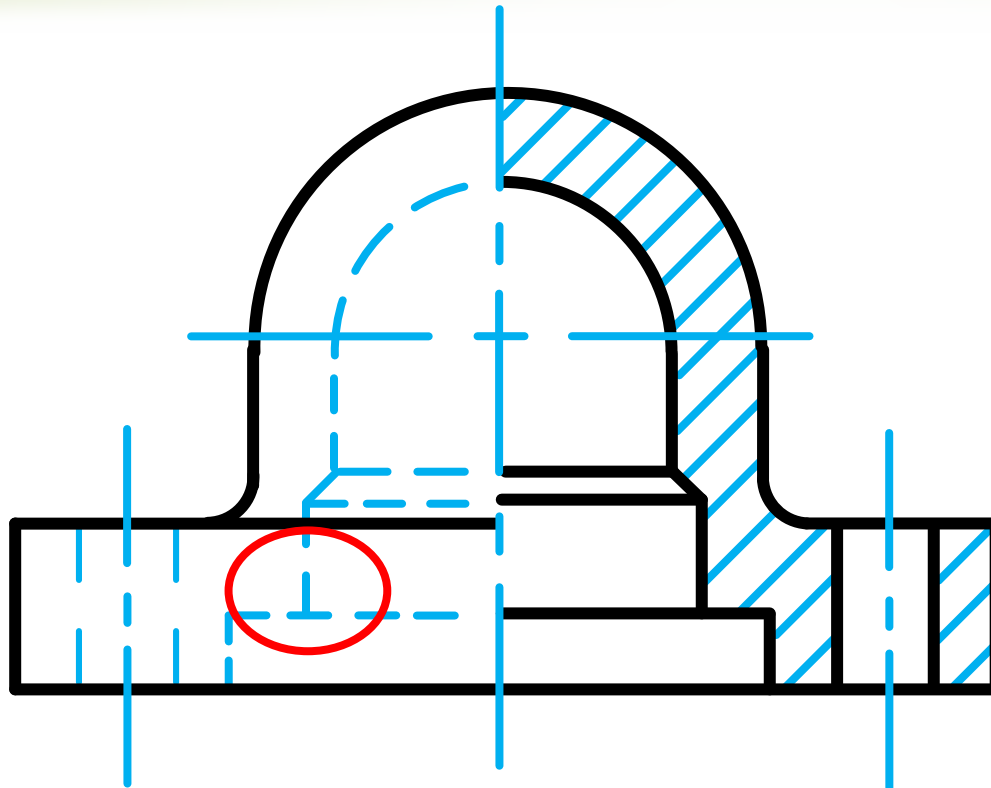
Mechanical Drawings (hidden detail)

- Indication of a hidden detail line intersecting with another hidden detail line.



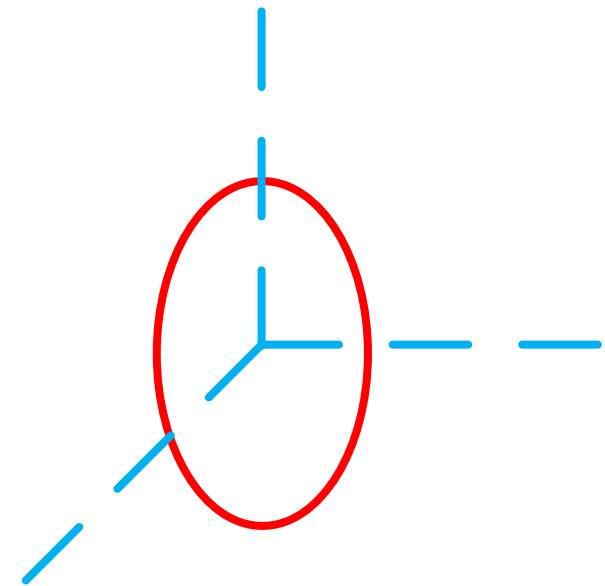
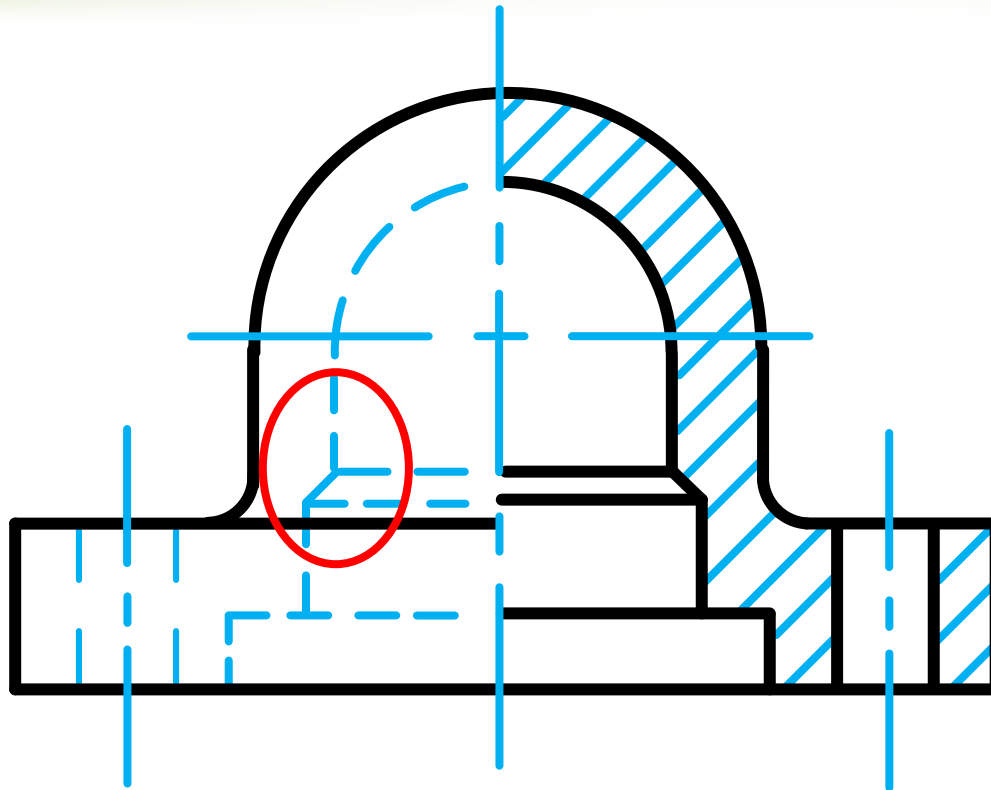
Mechanical Drawings (hidden detail)

- Indication of a hidden detail line ending on another hidden detail line.



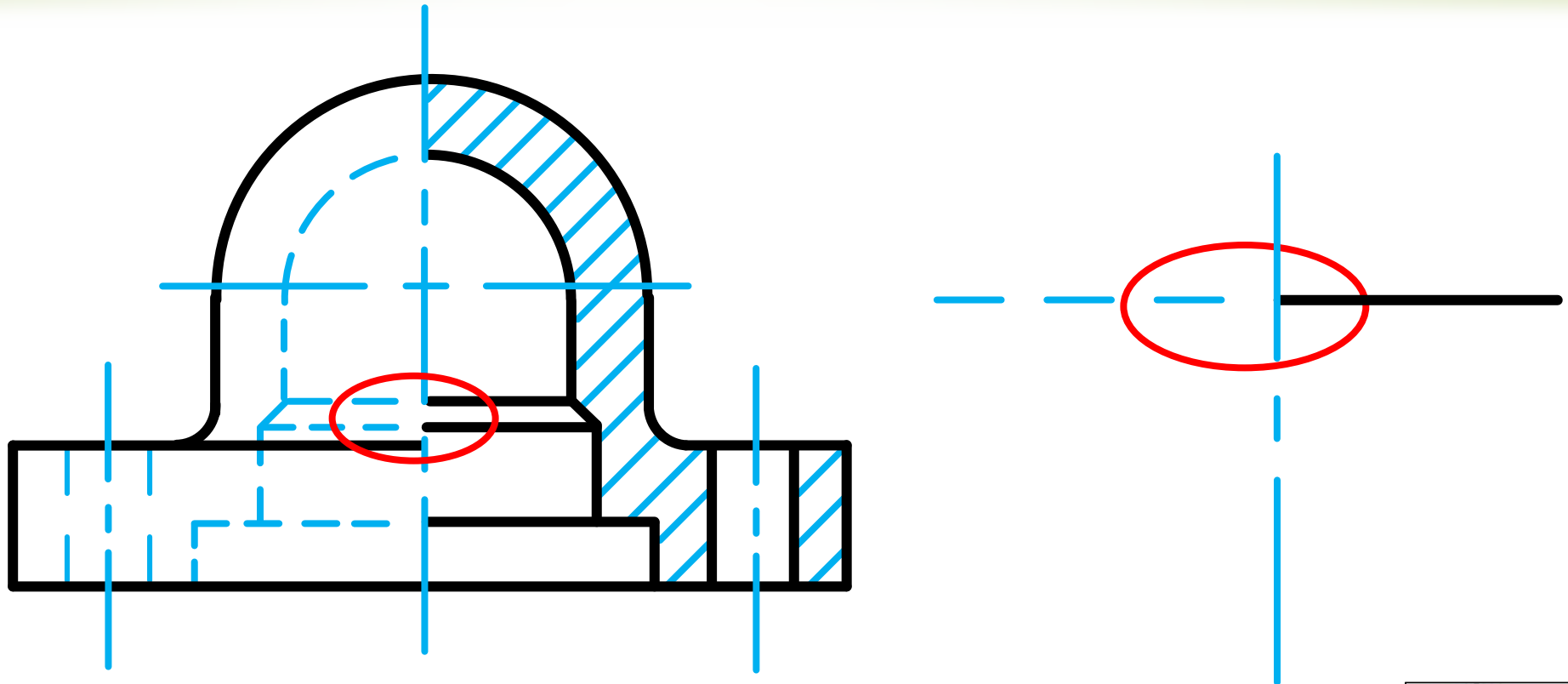
Mechanical Drawings (hidden detail)

- Indication of a hidden detail line ending on two other hidden detail lines.



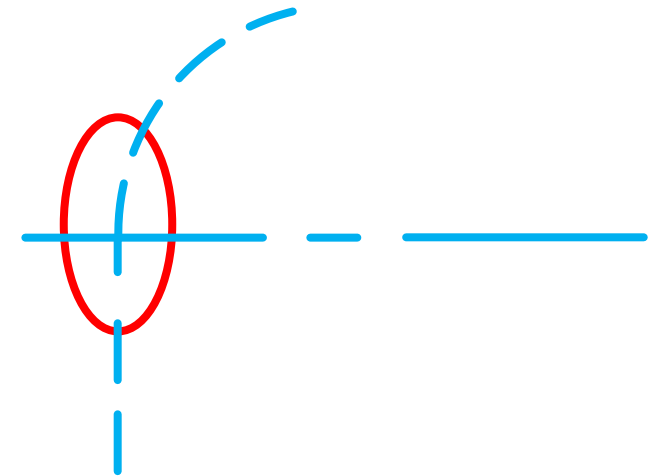
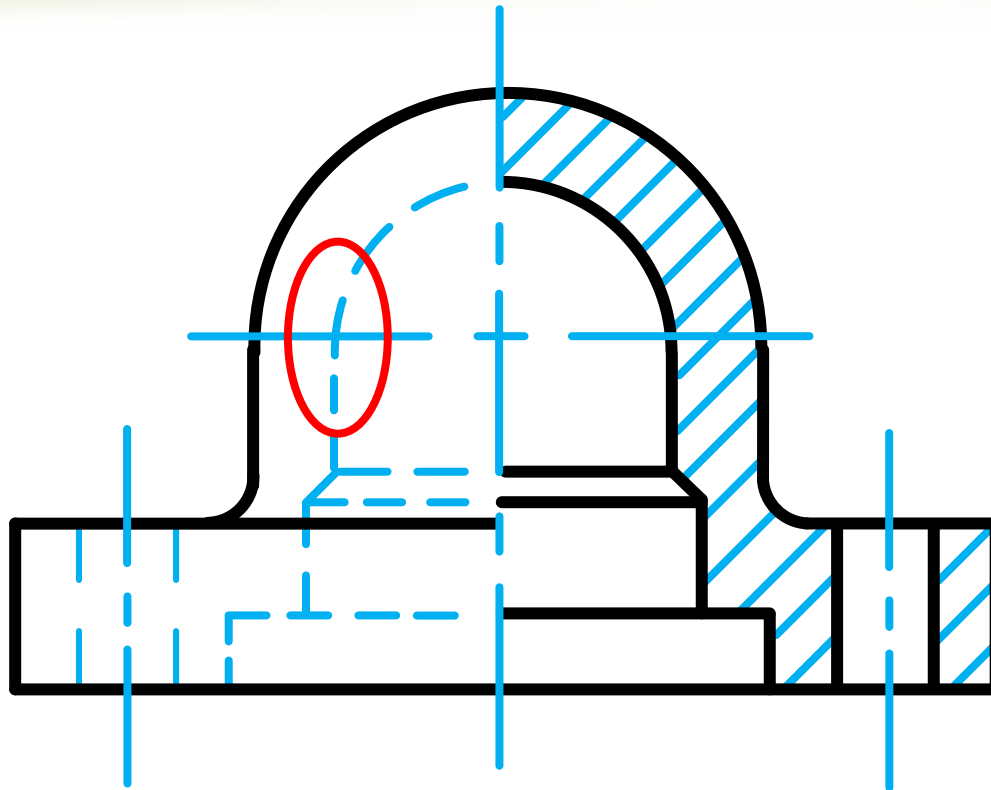
Mechanical Drawings (hidden detail)

- ▶ Indication of a hidden detail line continuing with a solid line.



Mechanical Drawings (hidden detail)

- Indication of a hidden detail line continuing with an arc.



Mechanical Drawings (hidden detail)

- Indication of a hidden detail line continuing with a solid arc.

