

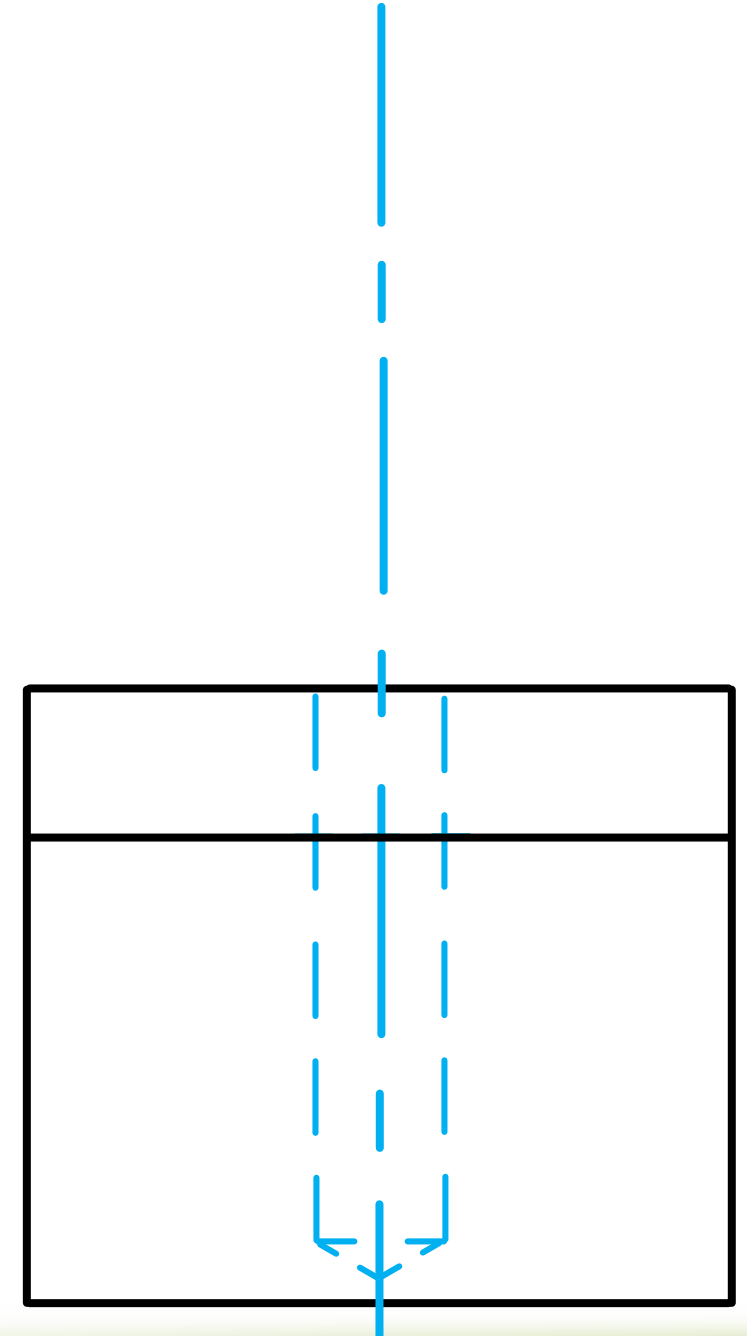


Principles of Mechanical Drawings – HIDDEN DETAIL

Developed by: PC Viljoen
Senior Educational Specialist for
Engineering Graphics and Design
Free State Province

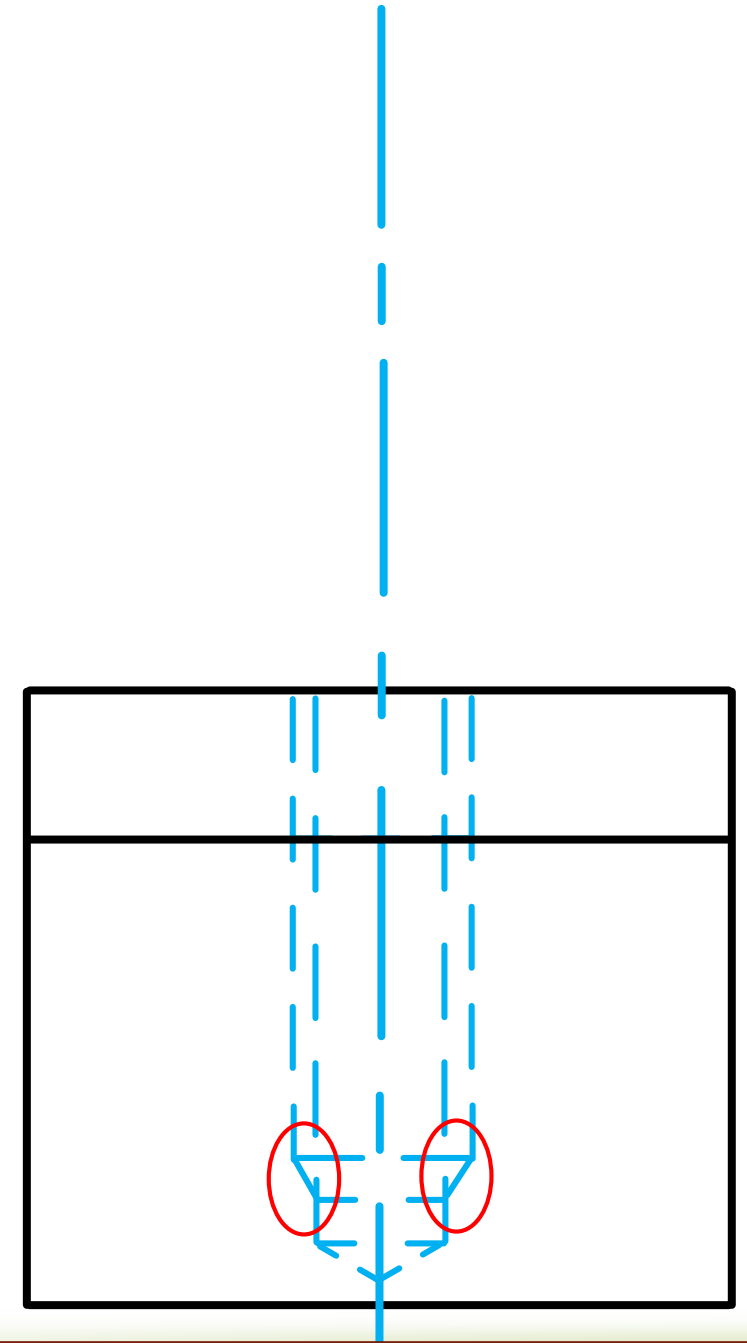
Mechanical Drawings (hidden detail)

- Hidden detail of an internal hole.



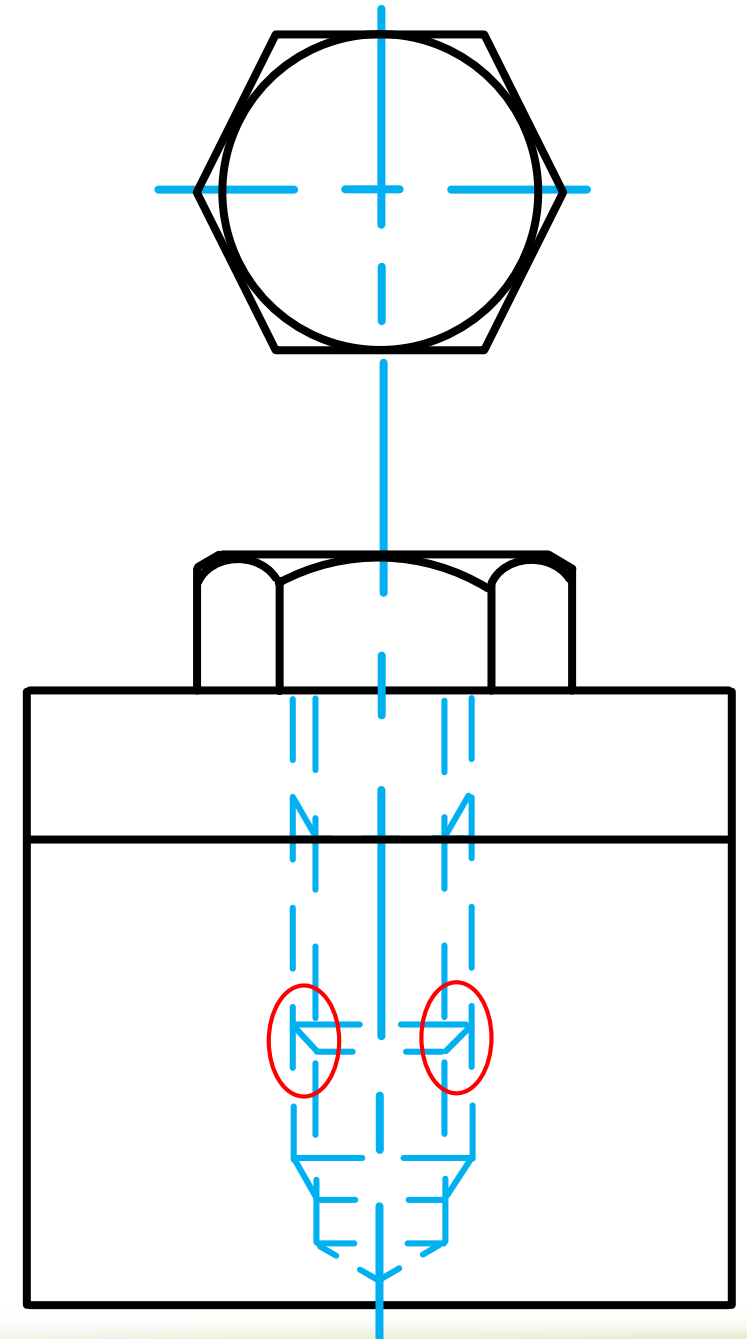
Mechanical Drawings (hidden detail)

- Hidden detail of an internal hole including the thread.



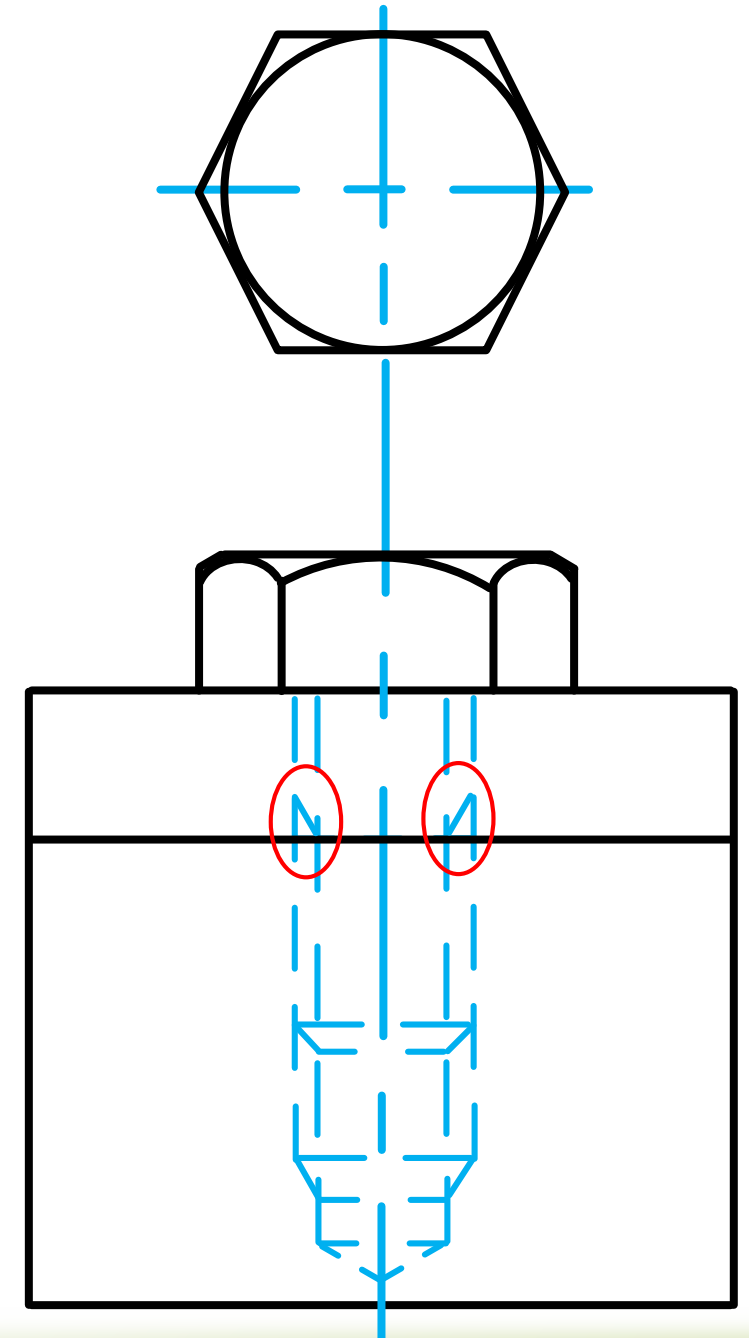
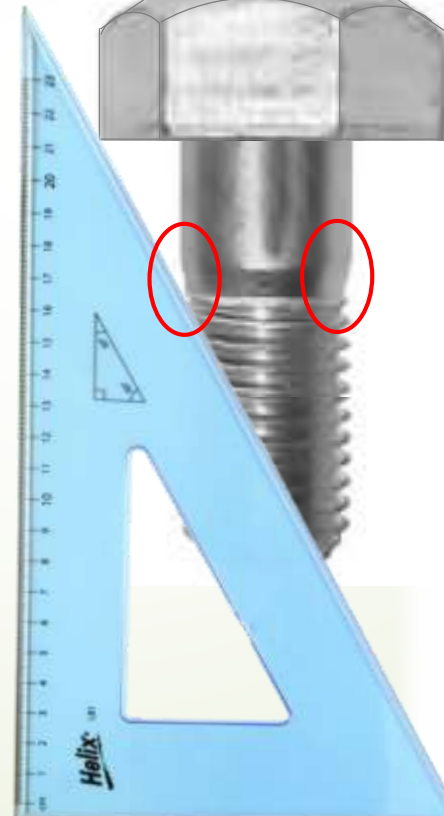
Mechanical Drawings (hidden detail)

- Hidden detail of an internal hole including the thread and the bolt.



Mechanical Drawings (hidden detail)

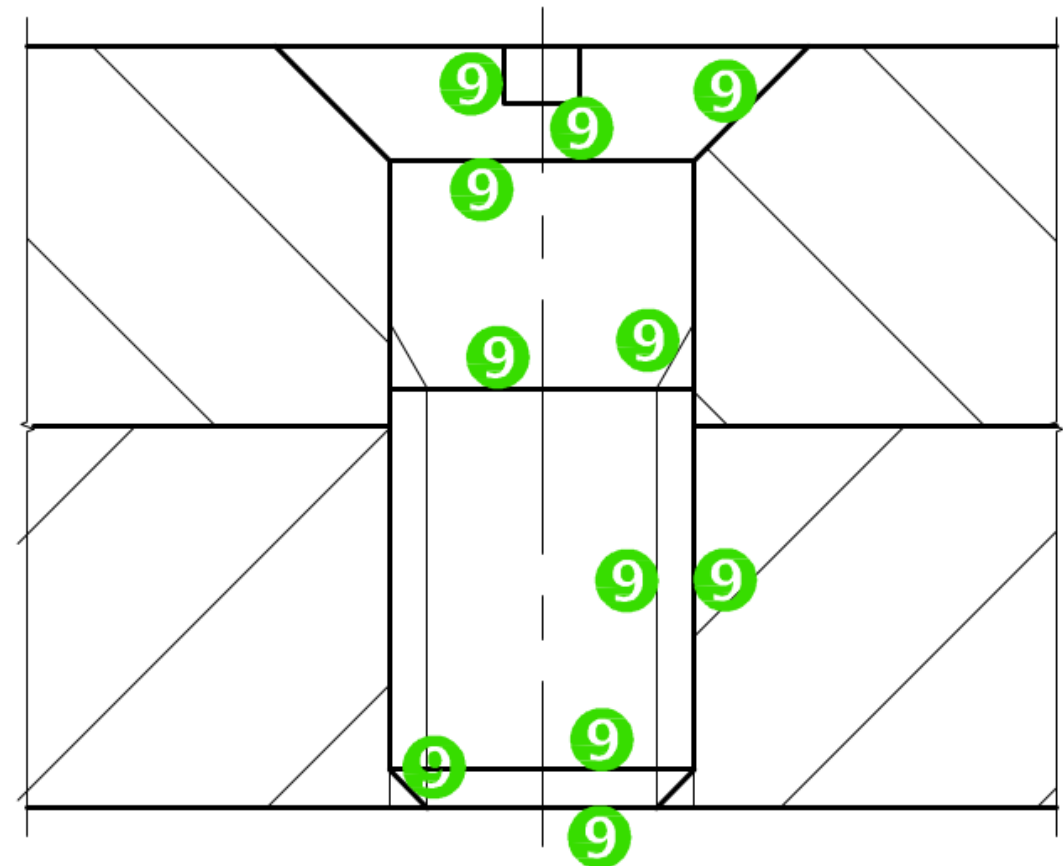
- Hidden detail of an internal hole including the thread and the bolt.



Mechanical Drawings (hidden detail)

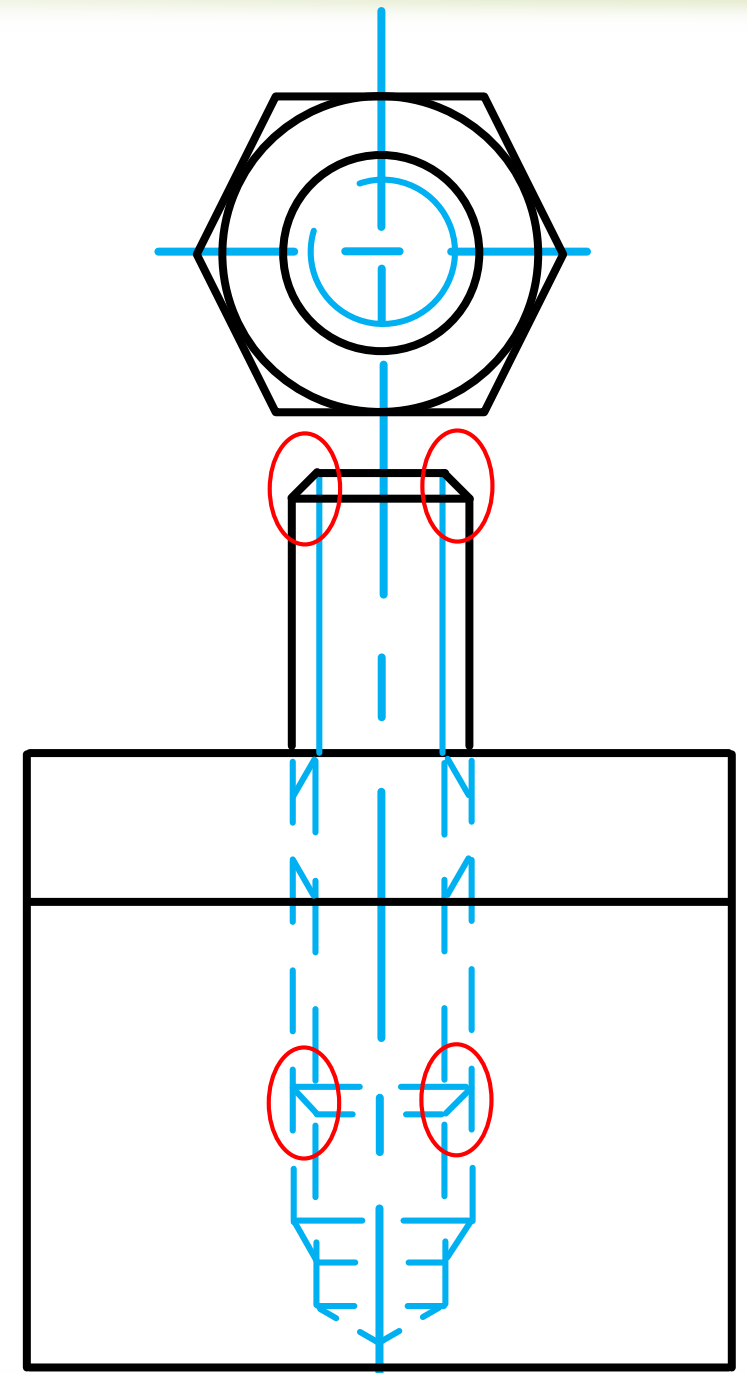
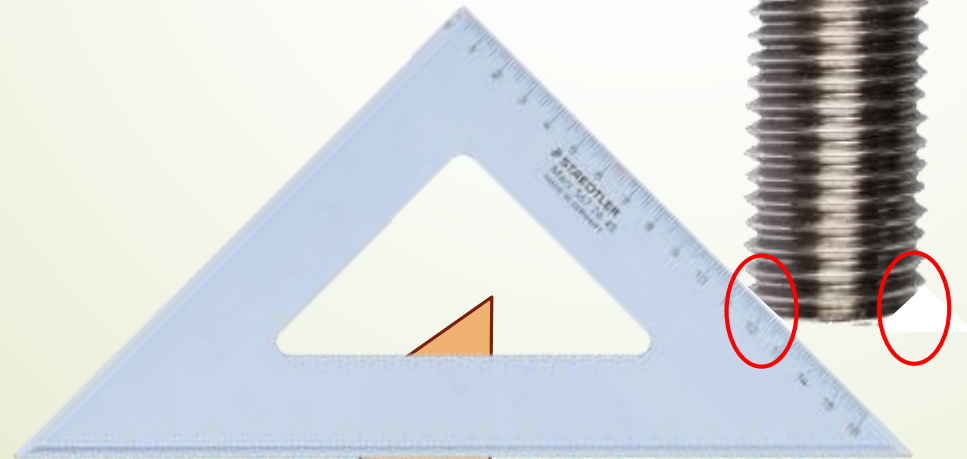
- Assessment during 2019 NSC exam

9 H SCREW NOT HATCHED



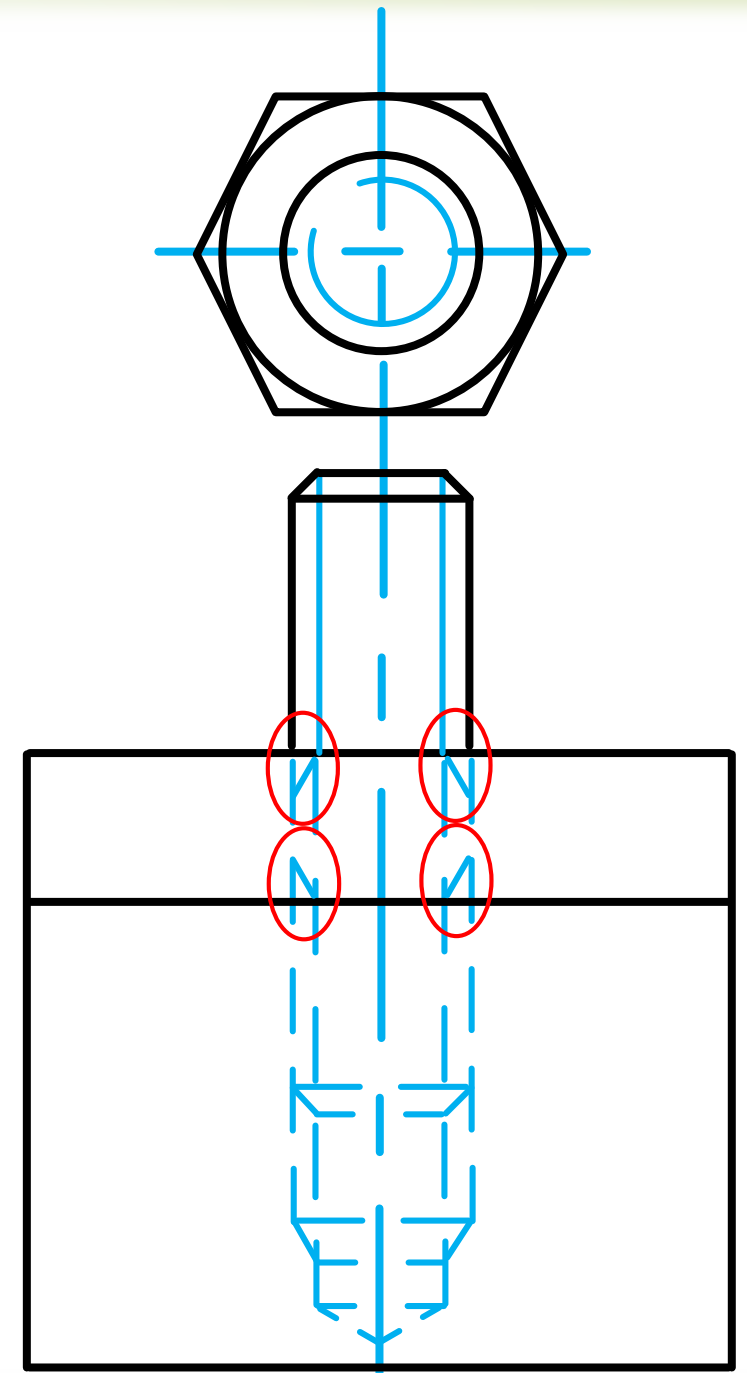
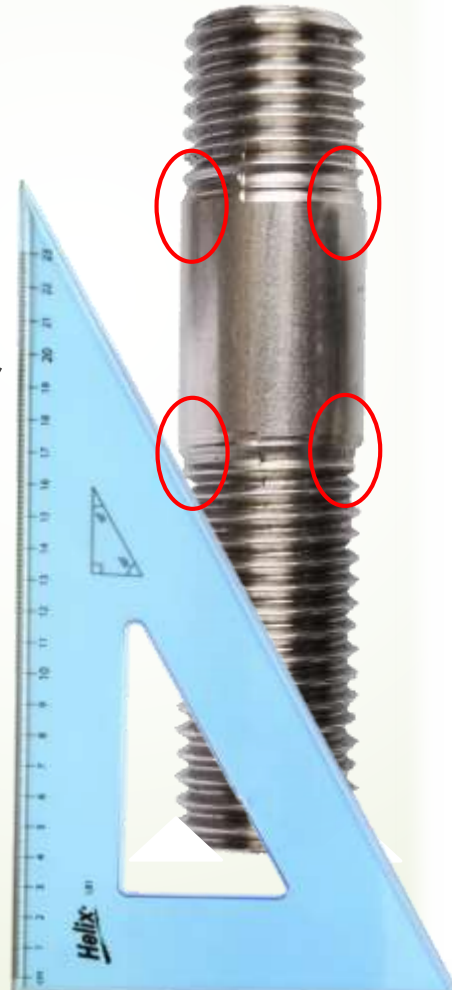
Mechanical Drawings (hidden detail)

- Hidden detail of an internal hole including the thread, washer, nut and a stud.



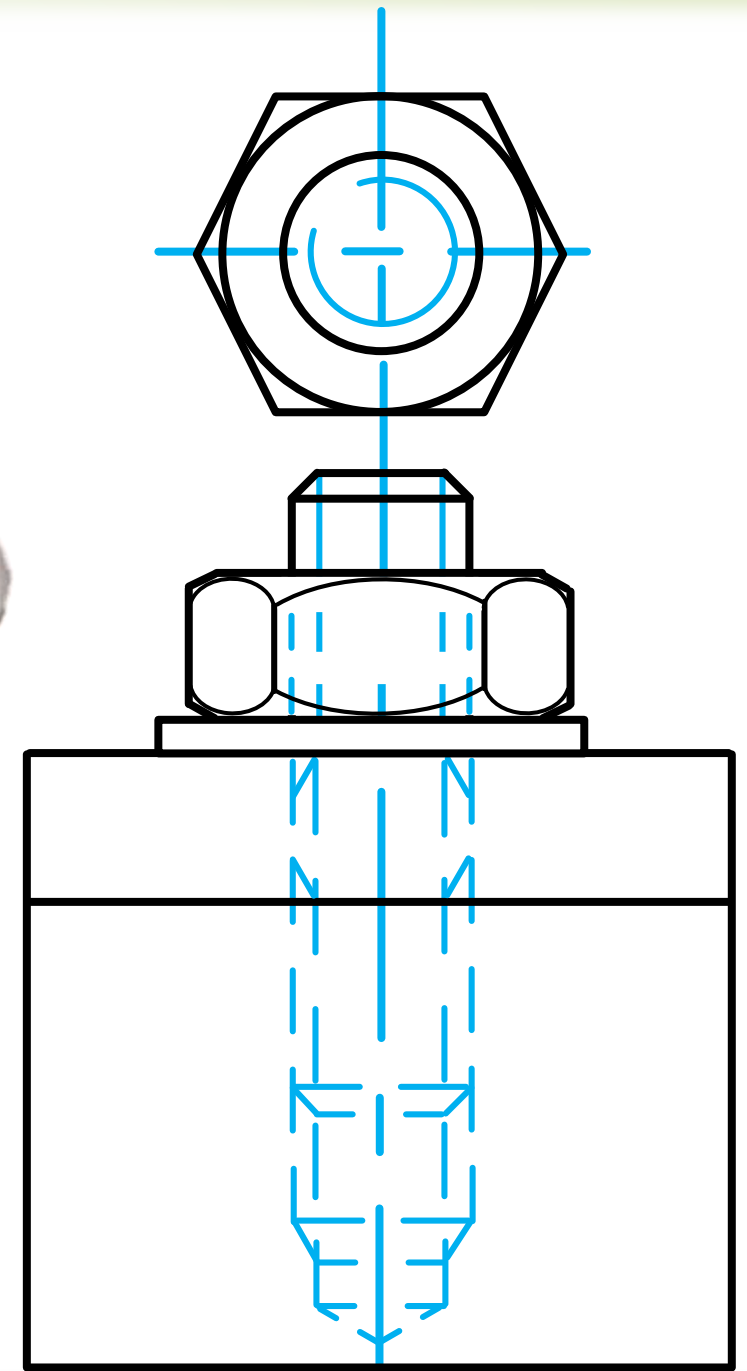
Mechanical Drawings (hidden detail)

- Hidden detail of an internal hole including the thread, washer, nut and a stud.



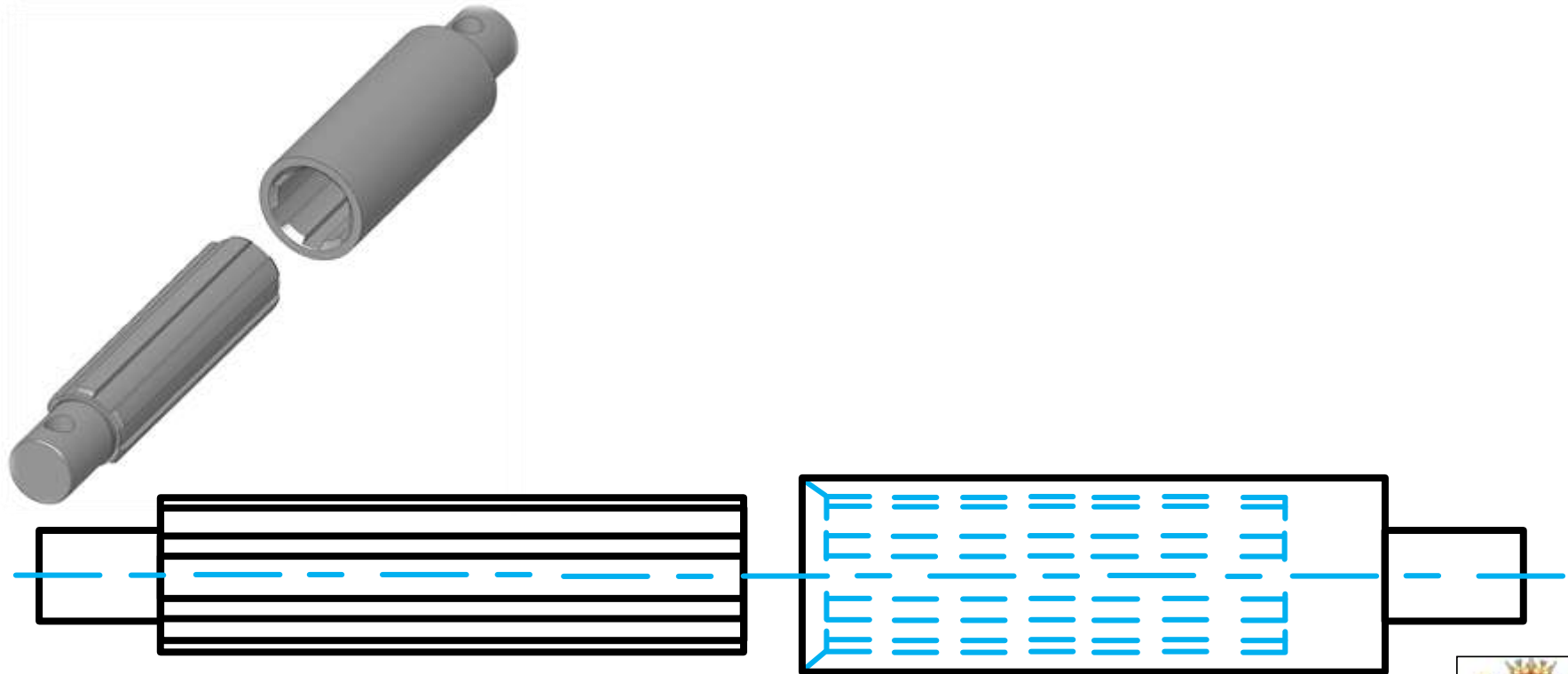
Mechanical Drawings (hidden detail)

- Hidden detail of an internal hole including the thread, stud, washer and nut.



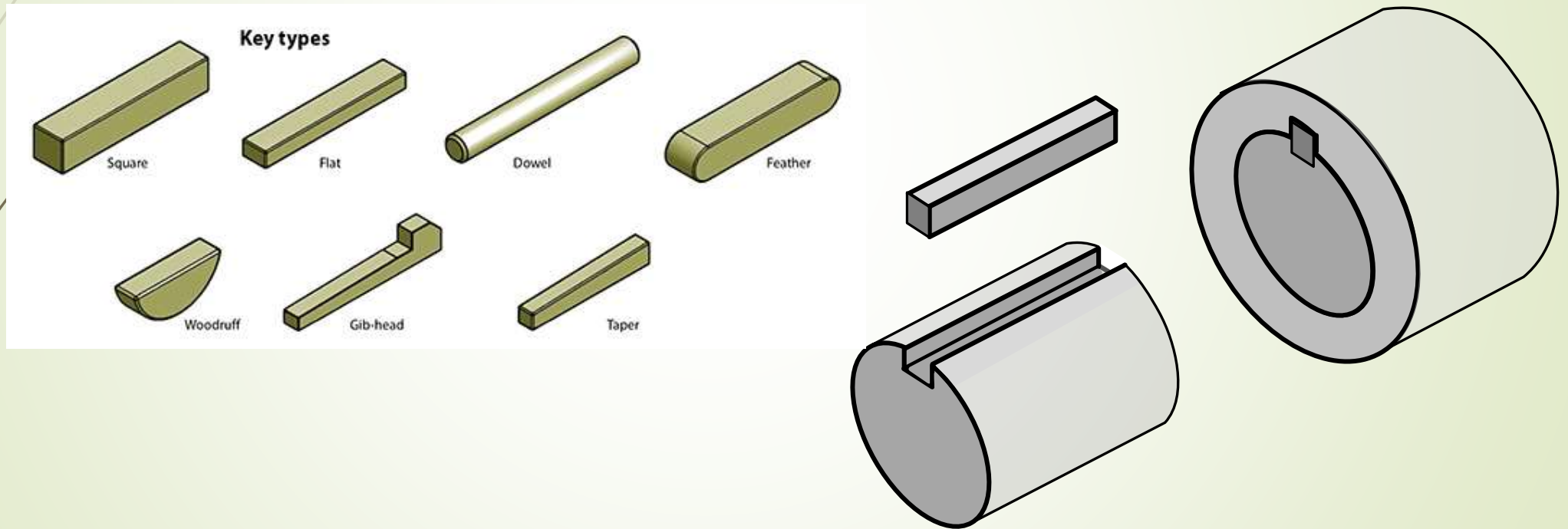
Mechanical Drawings (hidden detail)

- Hidden detail of interior parts



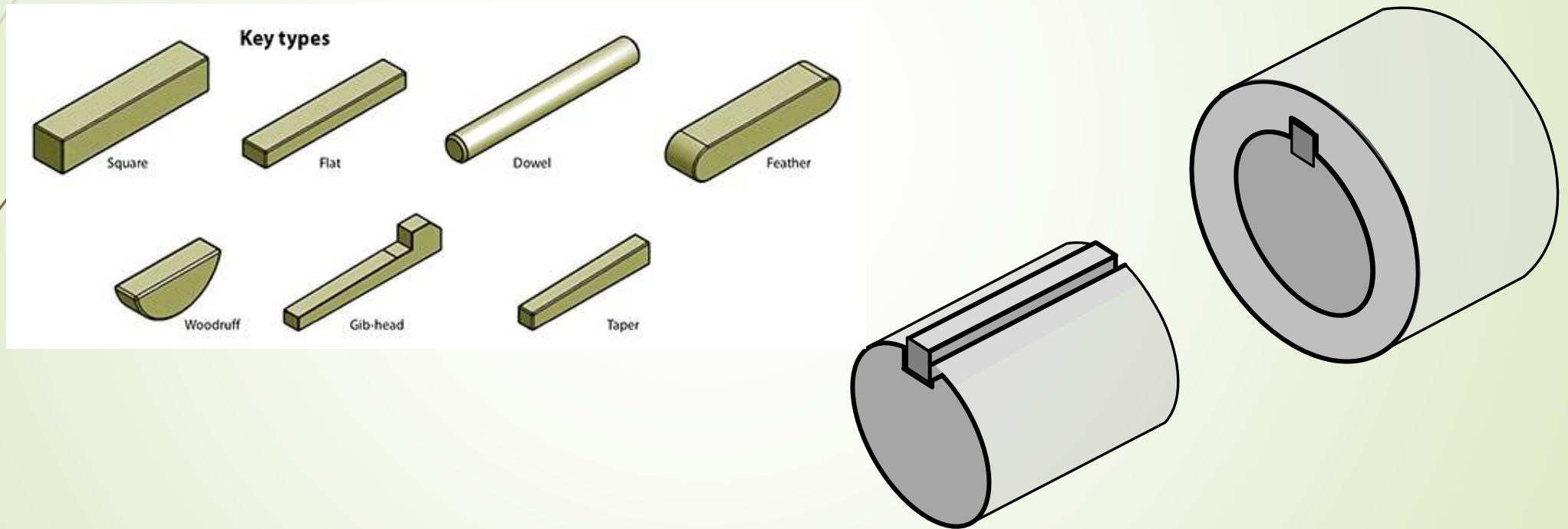
Mechanical Drawings (sectioning)

- Keys may **not** be sectioned when the cutting plane passes longitudinally through them.



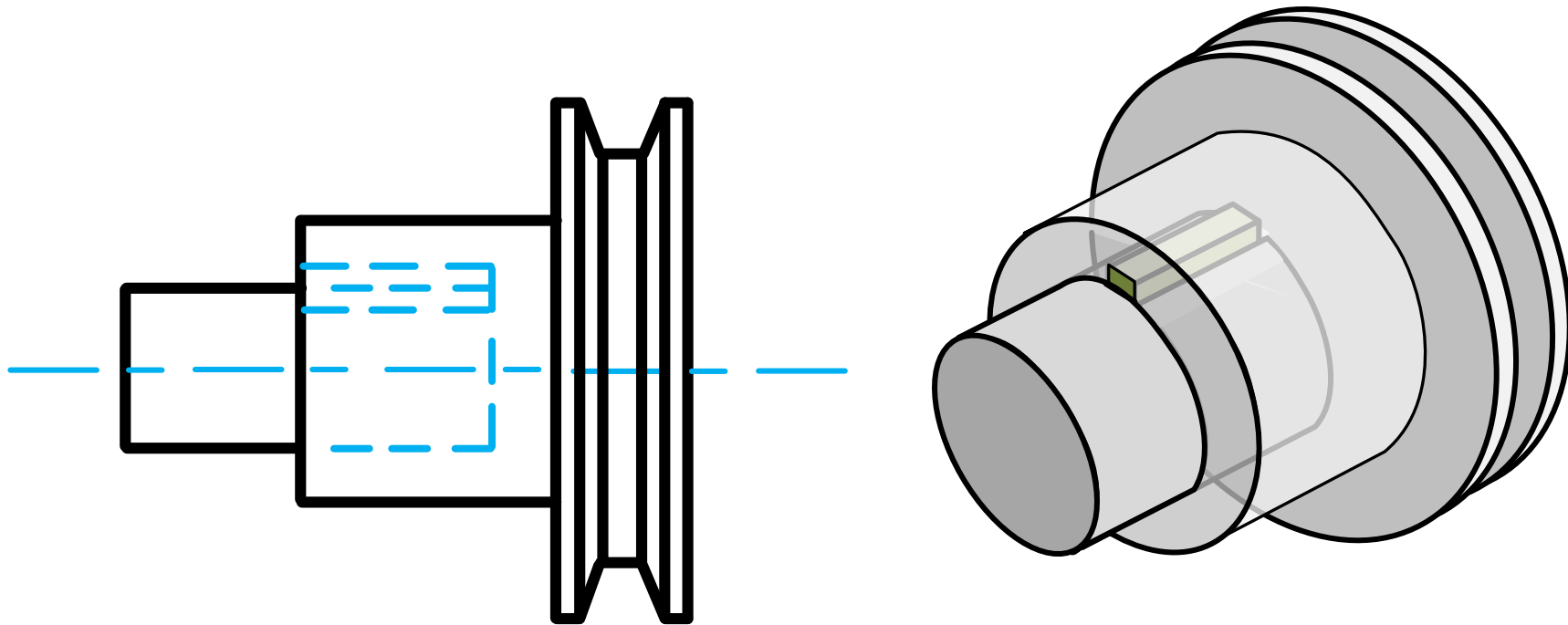
Mechanical Drawings (sectioning)

- Keys may **not** be sectioned when the cutting plane passes longitudinally through them.



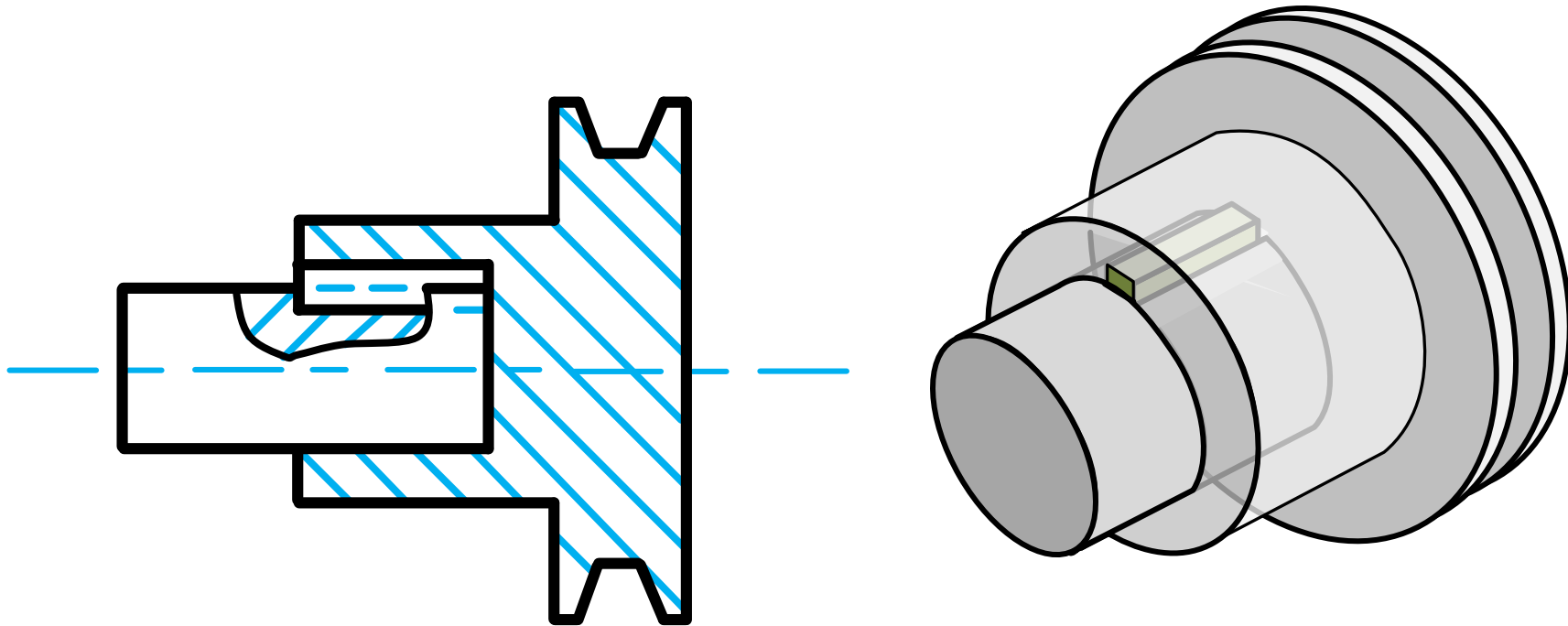
Mechanical Drawings (hidden detail)

- Hidden detail of interior parts



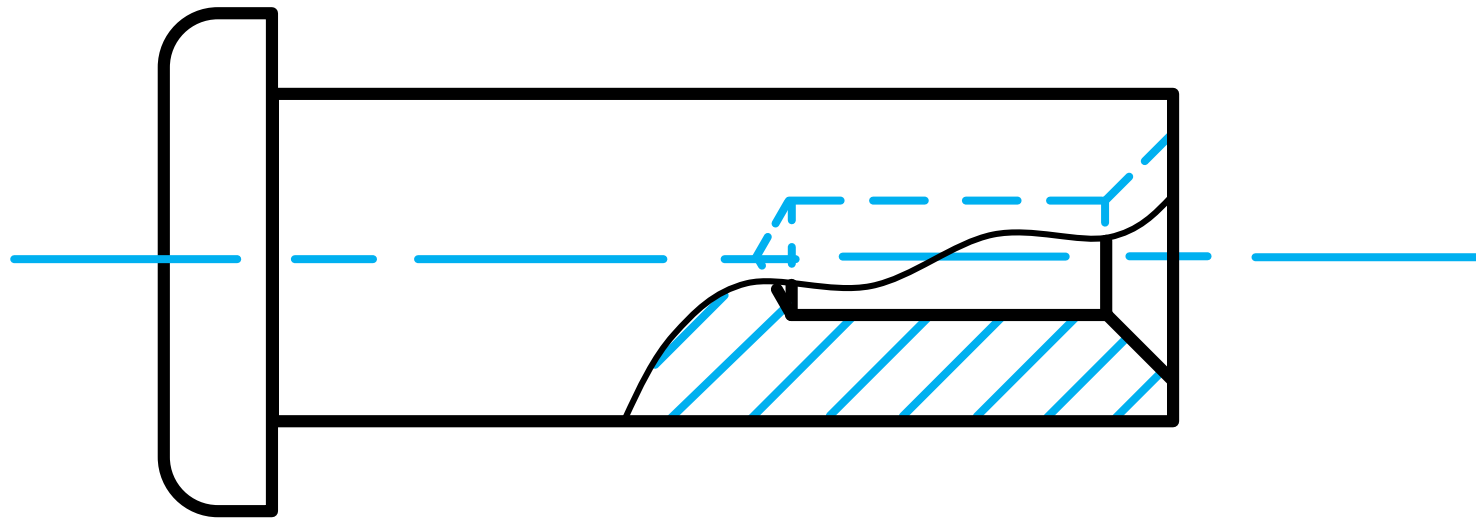
Mechanical Drawings (hidden detail)

- Hidden detail of interior parts



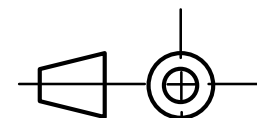
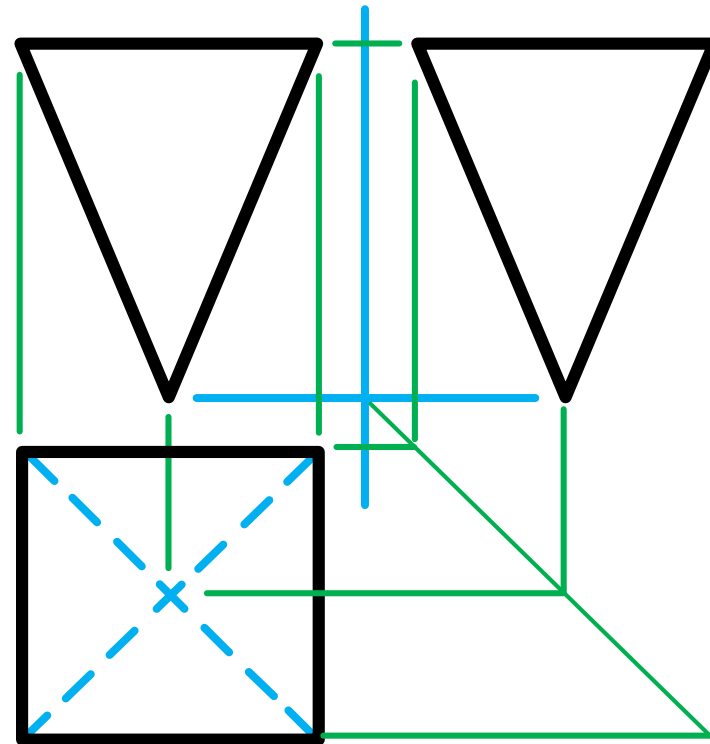
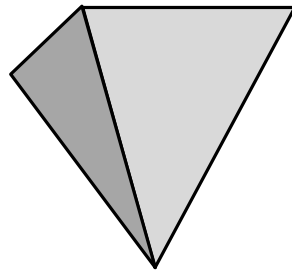
Mechanical Drawings (hidden detail)

- Components may be partly sectioned to explain access hidden detail.



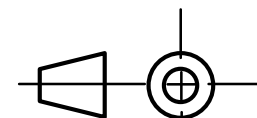
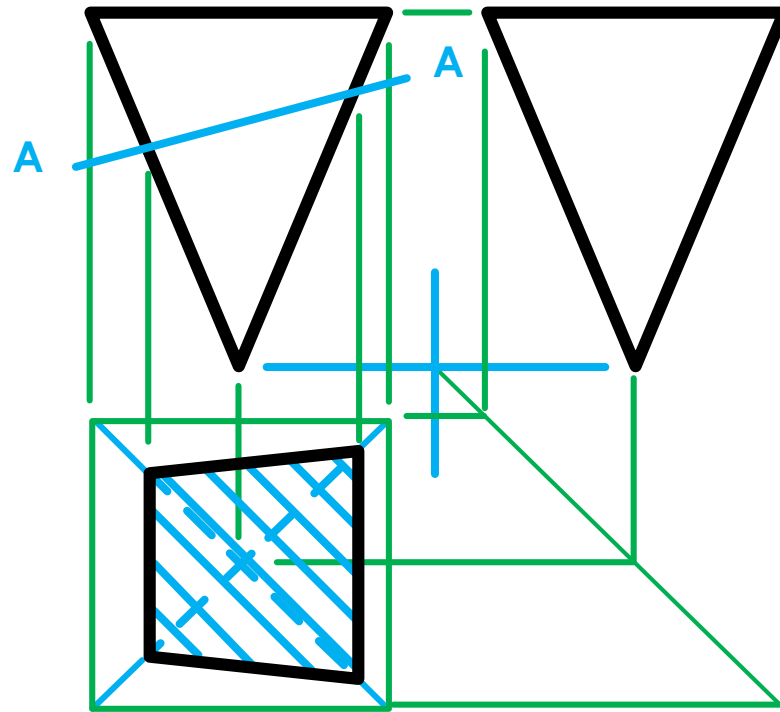
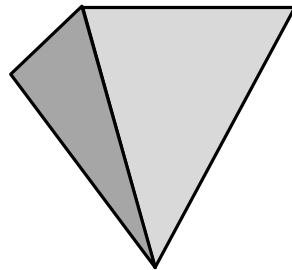
Mechanical Drawings (hidden detail)

- **Hidden detail** should always be shown when necessary for clarity.



Mechanical Drawings (hidden detail)

- ➔ **Hidden detail** can also be shown **behind hatching** when **necessary for clarity**.



Mechanical Drawings (hidden detail)

- Assessment during 2017 NSC exam

ANY RECOGNISED METHOD MAY
BE USED FOR THE
CONSTRUCTION OF THE HEXAGON

2✓

